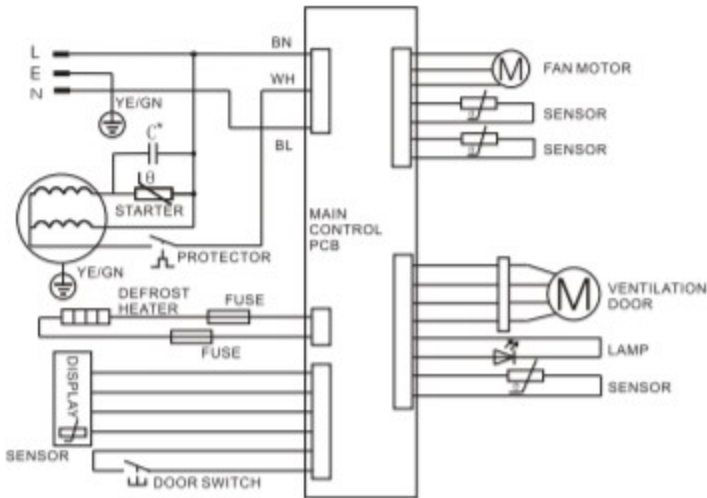


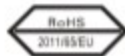


REFRIGERATOR

MODEL: NF3890



C*: The capacitor is optional according to different compressor model



CLIMATIC CATEGORY	SN-T
PROTECTIVE CLASSIFICATION OF ELECTRIC SHOCK	
RESISTANCE	I
RATED VOLTAGE	220-240V
RATED FREQUENCY	50Hz
RATED CURRENT	0.90A
TOTAL INPUT POWER	110W
RATED POWER OF LAMP	1W
REFRIGERANT	R600a(52g)
NET WEIGHT	70kg
NET CAPACITY	317L
THE INSULATION BLOWING GAS	CYCLOPENTANE

Made in PRC

