



GBR

ITA

DEU

RUS

SRB

ESP

PRT

GRC

SVN

HRV

BIH

MNE

MKD

ALB

FT - 5318

OPERATING INSTRUCTIONS DEEP FRYER
MANUALE DELL'UTENTE FRIGGITRICE
BEDIENUNGSANLEITUNG FRITTEUSE
ИНСТРУКЦИЯ ПО ЭКСПЛУАТАЦИИ ФРИТЮРНИЦА
UPUTSTVO ZA UPOTREBU FRITEZA
MANUAL DE USUARIO FREIDORA
MANUAL DO USUÁRIO FRITADEIRA
ΕΓΧΕΙΡΙΔΙΟ ΧΡΗΣΤΗ ΦΡΙΤΕΖΑ
NAVODILA ZA UPORABO FRITEZA
UPUTE ZA UPORABU FRITEZA
UPUTSTVO ZA UPOTREBU FRITEZA
УПАТСТВА ЗА РАКУВАЊЕ ФРИТЕЗА
MANUALI I PERDORUESIT FRITEZË



VOX
ELECTRONICS

GBR

INSTRUCTION MANUAL
FT - 5318



Read this booklet thoroughly before using and save it for future reference

IMPORTANT SAFEGUARDS

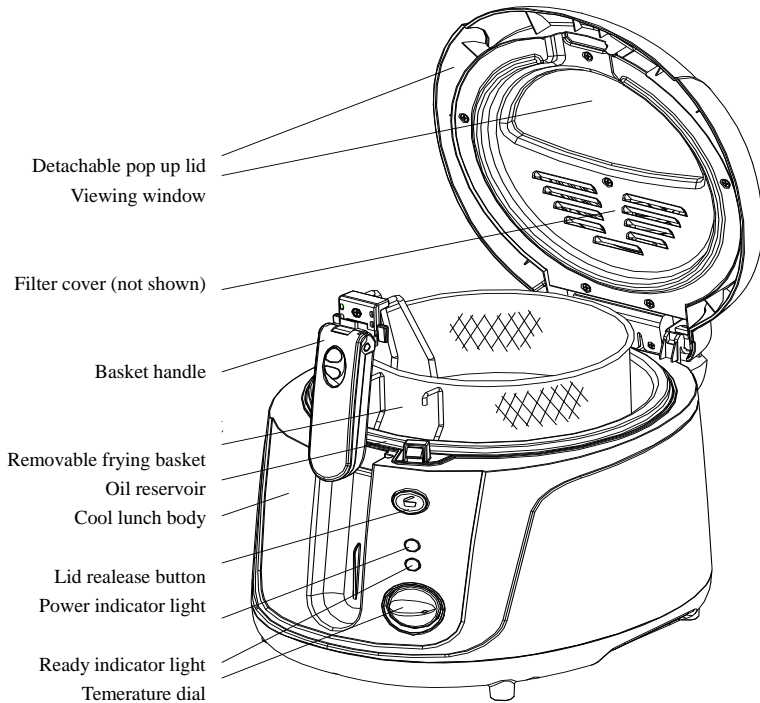
When using electrical appliances, basic safety precautions should always be followed, including the following:

1. Read all instructions before using.
2. Do not touch hot surface. Use handles or knobs.
3. To protect against electric shock do not immerse cord, plugs, or housing in water or other liquid.
4. Close supervision is necessary when any appliance is used by or near children.
5. Unplug from outlet when not in use and before cleaning. Allow to cool down before putting on or taking off parts, and before cleaning the appliance.
6. Do not put the appliance on a soft working surface or a desktop covered with table cloth, make sure the appliance is working on a rigid surface.
7. Do not operate any appliance with a damaged cord or plug or after the appliance malfunctions, or has been damaged in any manner. Return appliance to the nearest authorized service facility for examination, repair or adjustment.
8. The use of attachments not recommended by the appliance manufacturer may cause injuries.
9. Do not let cord hang over edge of table or counter, or touch hot surfaces.
10. Do not use this appliance when missing oil reservoir, oil and any other materials, or the oil is not enough.
11. Do not place on or near a hot gas or electric burner, or in a heated oven.
12. Extreme caution must be used when moving fryer containing hot oil.
13. Never connect the fryer to the electricity supply without placing oil in the oil reservoir first.
14. The oil in the oil reservoir will be still hot after it is switched off. Never attempt to move your fryer until it is completely cool down.
15. Never overfill the fryer with oil. Fill only between the minimum and maximum levels, as indicated inside the oil reservoir.
16. Do not add food with ice crystals or if it is wet to the hot oil.
17. This appliance is not intended for used by persons (including children) with reduced physical, sensory or mental capabilities, or lack of experience and knowledge, unless they have been given supervision or instruction concerning use of the appliances by a person responsible for their safety.
18. Children should be supervised to ensure that they do not play with the appliance.
19. This appliance is not intended to be operated by means of an external timer or separate remote-control system.
20. On completion of frying, always raise the basket and wait a few seconds to allow steam pressure to subside.
21. Do not use appliance for other than intended use.
22. Do not use outdoors.
23. Store the appliance indoors to prevent electronic parts failure.
24. **WARNING:** Serious hot oil burns may result from a deep fryer being pulled off a countertop. Do not allow the power cord to hang over the edge of a counter where it may be grabbed by children or become entangled with the user.

SAVE THESE INSTRUCTIONS

HOUSEHOLD USE ONLY

PRODUCT DESCRIPTION



Features

POWER INDICATOR LIGHT

This light illuminates when the deep fryer is on.

READY INDICATOR LIGHT

This light will cycle on and off several times during heating. It will turn off once the temperature is reached.

TEMPERATURE DIAL

Turn the temperature dial to select a temperature up to 190°C. The temperature may be adjusted at any time.

POP-UP LID WITH VIEWING WINDOW

The lid to your deep fryer is on a spring loaded hinge and conveniently “pops” up with a touch of a button. Keep an eye on your food while it cooks by looking through the convenient viewing window. The lid is also detachable and dishwasher safe.

WIRE FRYING BASKET

The removable wire frying basket with cool touch handle makes it safe and easy to add and remove food.

Before using

Clean before first use

1. Remove all packaging material and any stickers. Read all literature.
2. The frying basket and handle inside the appliance. Press the lid release button to open the pop-up lid.

Lift up the handle and remove the basket.

3. Tilt the lid forward and pull up to remove. **(Fig.1)**
4. Wash the basket handle, lid, frying basket in hot. Soapy water and wipe dry thoroughly, or you may wash the detachable lid, basket and handle in the dishwasher on the top rack.
5. Wash the inside and outside of the deep fryer with a drop of soap on a damp cloth. Rinse with a cloth thoroughly with a dry cloth or paper towel before adding oil.

WARNING: DO NOT put the deep fryer in the dishwasher.

WARNING: All components must be completely dried before filling the reservoir with oil and using.

WARNING: Special care must be taken to ensure the removable filter cover and lid are dry; otherwise steam may become dangerously trapped inside the fryer during use.

ASSEMBLING AND FILLING the Oil RESERVOIR

WARNING: Never plug the deep fryer into the electrical outlet while the oil reservoir is empty.

1. Lift up the handle and remove the basket. **(Fig.2)**
2. Pour cooking oil into the reservoir until the oil level is between the “MIN” and “MAX” lines on the inside of the oil reservoir. For best results, keep the oil close to the “MAX” level. **DO NOT** exceeds the “MAX” level. **(Fig.3)**

NOTE: Use blended vegetable oil, pure corn oil or canola (rapeseed) oil. **DO NOT** use olive oil, margarine, lard or drippings.

USE OF SOLID FAT

WARNING: It is **NOT RECOMMENDED** to put solid shortening in the oil reservoir or in the frying basket.

If using solid vegetable shortening, melt it first in a separate pan and pour the melted fat into the oil reservoir very carefully.

NOTE: Remove previously used. Curdled or hardened solid vegetable shortening from the oil reservoir and melt in a separate pan before reusing.

CAUTION: Attempting to melt solidified fat in the oil reservoir presents the risk of warm melted fat suddenly spluttering from below through the still solid top layer of fat. Use only the following procedure.

- Make sure the fat is at room temperature. If the fat is very cold, there is a greater risk of splashing.
 - Carefully makes some holes in the fat with a fork.
 - Make sure the lid is securely closed.
 - Heat fat slowly on lowest temperature setting.
3. Insert the basket and lower the handle by sliding the button forward. close the lid **(Fig.4)**

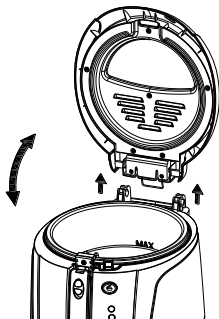


Fig.1

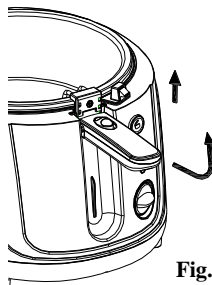


Fig.2

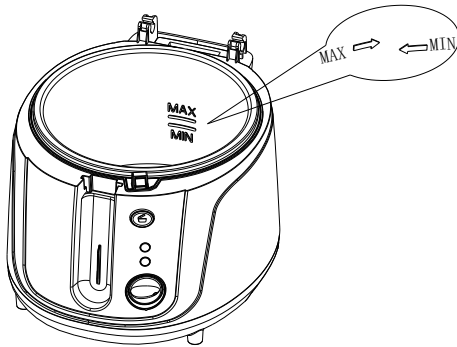


Fig.3

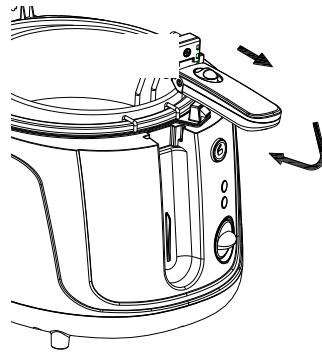


Fig.4

Using you deep fryer

PREHEAT

CAUTION: DO NOT leave deep fryer unattended while in operation.

IMPORTANT: Always use the deep fryer on a flat, heat resistant surface

1. Close the lid.
2. Ensure that your hands are dry and plug the unit into the electrical outlet.
3. Set the temperature dial to the desired temperature. The ready indicator light will turn on.

FILL THE FRYER BASKET

WARNING: Always use the frying basket to fry food.

WARNING: always remove and replace the frying basket carefully.

1. Press the lid release button to open the lid.
2. **DO NOT** fills the frying basket when it is immersed in oil. Always hold the basket by the cool touch handle.
3. Place food carefully into the frying basket. **DO NOT** over fill. For optimum results and shorter frying time, basket should be only half full.

NOTE: To cook evenly, pieces of food should be the same size and thickness. Thicker pieces will take longer to cook.

IMPORTANT: Make sure that the food to be fried is dry. Dab food with paper towel or a clean dish towel if necessary.

CAUTION: When frying frozen foods, be sure to clean off any ice from the food before placing in the basket. Failure to do so may cause the fryer to overflow when food if placed in oil.

WARNING: Remove the frying basket from the deep fryer when filling as the oil will spatter and cause burns. For frozen foods, it is recommended that food fill no more than 1/4 of the basket capacity.

FRYING FOOD

CAUTION: Oil is very hot and can cause severe injury.

1. Lower the basket into the heated oil slowly and carefully. Lowering the basket too quickly can result in the oil overflowing and splashing. **DO NOT** drop basket into the cooking oil.
2. Close the lid to frying.

NOTE: It is normal for steam to escape through the sides of the lid while frying.

WARNING: Avoid standing too close to the deep fryer while it is cooking.

3. Use the viewing window to monitor your food. When the food is ready, step away from the unit before

opening the lid in order to allow hot steam to escape.

4. Lift the basket out of the oil and hook it on the edge of the oil reservoir to allow the food to drain for a minute.
5. Remove the food from the basket either with tongs or by pouring the food into a serving container or onto a plate covered with paper towels.
6. Repeat procedure for remaining food.
7. When you have finished using your deep fryer, turn the temperature dial counterclockwise all the way to turn the unit off.
8. Unplug the fryer from the wall outlet and allow cooling for approximately 2 hours before attempting to remove the oil or clean the fryer.

WARNING: Never use the power cord to turn the deep fryer off.

WARNING: Never use your deep fryer to boil water.

STORING OR REUSING COOKING OIL

NOTE: The oil has not to be changed after each use and can be used until it gets dark or there are bits of food in it such as batter or bread crumbs.

NOTE: It is not recommended to store or reuse oil that was used to fry food with protein, such as poultry, meat and fish. When oil is used mainly to fry potatoes and is filtered after each use it can be used 8 to 10 times but **DO NOT** use the same oil for more than 6 months.

IMPORTANT: Always replace the oil as soon as it starts foaming when heated or when color becomes dark, when it has a rancid smell or taste, or becomes syrupy.

1. Make sure the fryer is turned off, unplugged and has cooled for approximately 4 hours before attempting to store oil.
2. Remove the pop-up lid and frying basket.
3. Using a funnel, pour the oil from the back corner of the reservoir through a paper filter or wire strainer into a storage container.

IMPORTANT: The oil reservoir is not removable from the deep fryer.

4. To reuse this oil, pour back into the oil reservoir.

IMPORTANT: DO NOT mix different oils or new and old oil together.

Suggested Frying Guide and Tips

FOOD	COOKING TIME	TEMP.
FRENCH FRIES	6-9min	190 ⁰ C
FISH FILETS	3-6min	170 ⁰ C
CHICKEN FINGERS	6-9min	190 ⁰ C
CHICHEN PIECES	12-20min	150 ⁰ C
FRIED ZUCCHINI	3-6min	130 ⁰ C
FRIED MUSHROOMS	4-6min	130 ⁰ C
ONION RINGS	3-6min	130 ⁰ C
DONUTS	3-6min	130 ⁰ C
APPLE BEIGNETS	3-6min	130 ⁰ C
SHRIMP	3-6min	130 ⁰ C

SUGGESTED FRYING GUIDE

NOTE: The cooking times and temperatures above reflect only the approximate time needed to fry one basket half full. The exact times may be different depending on actual quantity, personal cooking preferences; size and thickness of pieces, etc. in general, use lower settings for delicate foods (vegetables, fish) and higher settings for frozen foods, French fries and chicken.

FRYING TIPS

For best cooking results, take note of these helpful tips:

- To avoid condensation buildup on the viewing window, rub a little cooking oil on the window.
- **DO NOT** mix different oils or new and old oil together.
- Replace oil regularly, in general, oil used to fry food with protein, such as poultry, meat and fish, should not be reused, when oil is used mainly to fry potatoes and is filtered after each use, it can be used 8 to 10 times but **DO NOT** use the same oil for more than 6 months.
- Always replace all oil as it starts foaming when heated, when color becomes dark, when it has a rancid smell or taste, or becomes syrupy.
- Make sure that the food to be fried is dry, dab food with paper towel or a clean dish towel if necessary.
- When frying frozen foods, should be the same size and thickness, thicker pieces will take longer to cook.

Cleaning and storing your fryer

CLEANING INSTRUCTION

1. Make sure the fryer is turned off, unplugged and has cooled for approximately 4 hours.
2. Remove the lid and the frying basket in hot, soapy water and wipe dry thoroughly. The

detachable lid and basket may be washed in the dishwasher on the top rack.

3. Wash the inside (if oil is being stored in a separate container) and outside of the deep fryer with a drop of soap on a damp cloth.
4. Rinse with a cloth dampened with water only.
5. Dry thoroughly with a dry or paper towel.

WARNING: DO NOT immerse the deep fryer in water. Do not put the deep fryer in the dishwasher.

WARNING: DO NOT use alcohol or cleaning solutions to clean the deep fryer.

HOW TO STORE SAFETY

1. Ensure that your deep fryer is turned off, unplugged, cooled and clean.
2. Store the basket inside the deep fryer and close the lid.
3. Store your deep fryer on a flat surface in a cool dry tipped over and won't be damaged or be hazardous to anyone or anything.

Troubleshooting guide

Troubleshooting

If your deep fryer fails to operate, follow these instructions:

1. Make sure the plug is securely plugged into the electrical outlet.
2. Make sure the electrical outlet is working, unplug the unit, check your fuse box or circuit breaker box and replace the fuse or reset the breaker as necessary, then plug the unit back in.
3. If the problem persists, contact Customer Service.

ENVIRONMENT FRIENDLY DISPOSAL



You can help protect the environment!
Please remember to respect the local regulations:
hand in the non-working electrical equipment to an
appropriate waste disposal center.





VOX
ELECTRONICS

ITA

MANUALE DELL'UTENTE
FT - 5318



Leggere attentamente le istruzioni prima dell'uso e salvare per riferimenti futuri

IMPORTANTI NORME DI SICUREZZA

Quando si utilizzano gli apparecchi elettrici, è necessario seguire sempre le precauzioni di base, come seguenti:

1. Leggere tutte le istruzioni.
2. Non toccare le superfici calde. Usa maniglie o manopole.
3. Per proteggere da incendi, scosse elettriche e lesioni alle persone, non immergere il cavo, la spina o la base in acqua o altri liquidi.
4. Una stretta supervisione è necessaria quando l'apparecchio viene utilizzato da o vicino ai bambini.
5. Scollegare l'apparecchio dalla presa quando non in uso e prima della pulizia. Lasciare raffreddare l'apparecchio prima di mettere o togliere parti e prima di pulire l'apparecchio.
6. Non collocare l'apparecchio su una superficie di lavoro morbida o un tavolo coperto con tovaglie, assicurarsi che l'apparecchio stia lavorando su una superficie rigida.
7. Non utilizzare l'apparecchio con un cavo o una spina danneggiati o dopo il malfunzionamento dell'apparecchio o se è stato danneggiato in alcun modo. Portare l'apparecchio al servizio autorizzato più vicino per controllarlo, ripararlo o regolarlo.
8. L'uso di accessori non raccomandati dal produttore dell'apparecchio può provocare lesioni.
9. Non lasciare che il cavo penda oltre il bordo di un tavolo o di un bancone o che tocchi una superficie calda.
10. Non utilizzare questo apparecchio quando manca il serbatoio dell'olio, l'olio e qualsiasi altro materiale, oppure l'olio non è sufficiente.
11. Non posizionare sopra o vicino a un bruciatore a gas o elettrico, o a un forno riscaldato.
12. Usare estrema cautela quando si sposta la friggitrice contenente olio caldo.
13. Non collegare mai la friggitrice alla rete elettrica senza prima inserire olio nel serbatoio dell'olio.
14. L'olio nel serbatoio dell'olio sarà ancora caldo dopo lo spegnimento. Non tentare mai di muovere la friggitrice finché non sia completamente raffreddata.
15. Non riempire eccessivamente la friggitrice con olio. Riempire solo tra i livelli minimo e massimo, come indicato all'interno del serbatoio dell'olio.
16. Non aggiungere cibo con cristalli di ghiaccio o il cibo umido nell'olio bollente.
17. Questo apparecchio non è destinato all'uso da parte di persone (compresi i bambini) con ridotte capacità fisiche, sensoriali o mentali, o mancanza di esperienza e conoscenza, a meno che non siano stati supervisionati o istruiti sull'uso degli apparecchi da una persona responsabile della loro sicurezza.
18. I bambini devono essere sorvegliati per assicurarsi che non giochino con l'apparecchio.
19. L'apparecchio non è destinato ad essere utilizzato mediante un timer esterno o un

sistema di controllo remoto separato.

20. Al termine della frittura, sollevare sempre il cestello e attendere alcuni secondi per consentire alla pressione del vapore di diminuire.

21. Non utilizzare l'apparecchio per scopo diverso da quello previsto.

22. Non utilizzare l'apparecchio all'aperto.

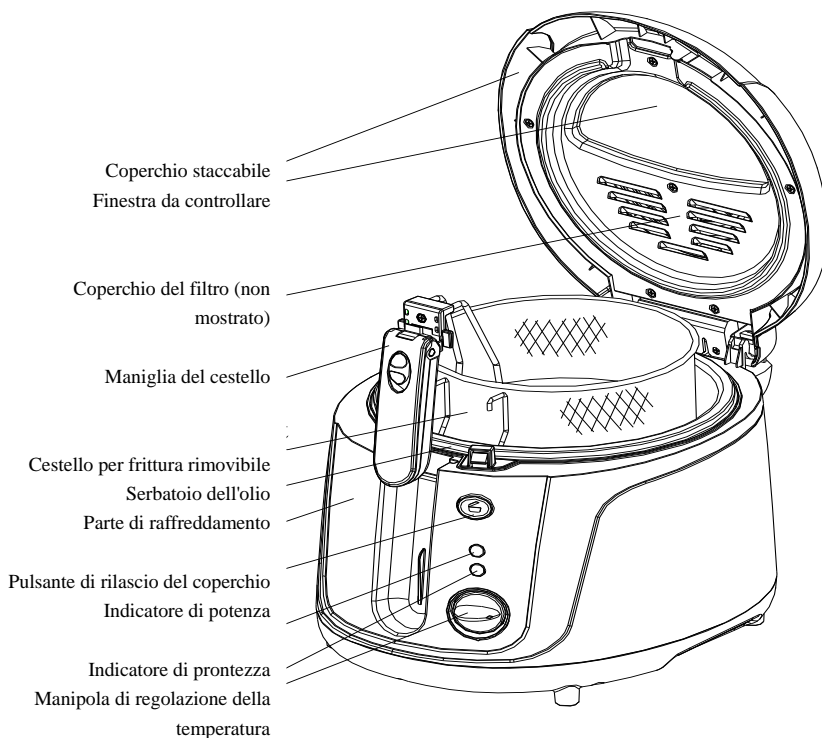
23. Conservare l'apparecchio in casa per evitare guasti alle parti elettroniche.

24. **AVVERTENZA:** Gravi ustioni di olio bollente possono derivare da una friggitrice che viene estratta dalla superficie di lavoro. Non lasciare che il cavo di alimentazione penda oltre il bordo di una superficie di lavoro dove potrebbe essere afferrato dai bambini o rimanere impigliato con l'utente.

SALVA QUESTE ISTRUZIONI

SOLO USO DOMESTICO

DESCRIZIONE DEL PRODOTTO



Caratteristiche

INDICATORE DI POTENZA

Questa luce si illumina quando la friggitrice è accesa.

INDICATORE DI PRONTEZZA

Questa luce si accende e si spegne più volte durante il riscaldamento. Si spegne una volta raggiunta la temperatura desiderata.

MANIPOLA DI REGOLAZIONE DELLA TEMPERATURA

Ruotare la manopola della temperatura per selezionare una temperatura fino a 190 ° C. La temperatura può essere regolata in qualsiasi momento.

COPERCHIO POP-UP CON FINESTRA DI VISUALIZZAZIONE

Il coperchio della sua friggitrice è su una cerniera caricata a molla e comodamente "si apre" con un tocco del pulsante. Tenere d'occhio il cibo durante la preparazione guardando attraverso la comoda finestra di visualizzazione. Il coperchio è anche rimovibile e lavabile in lavastoviglie.

CESTELLO PER FRIGGERE

Il cestello per friggere rimovibile con manico freddo facilita di aggiungere o rimuovere il cibo sicuramente.

Prima di usare

Pulire prima dell'uso

1. Rimuovere tutto il materiale di imballaggio e eventuali adesivi. Leggi tutta la letteratura.
2. Il cestello e la maniglia sono all'interno dell'apparecchio. Premere il pulsante di rilascio del coperchio per liberare il coperchio. Sollevare la maniglia e rimuovere il cestello.
3. Inclinare il coperchio in avanti e tirarlo verso l'alto per rimuoverlo. **(Fig. 1)**
4. Lavare a caldo la maniglia del cestello, il coperchio, il cestello per friggere nell'acqua saponata e asciugare bene e asciugare bene finché siano completamente asciutti. È possibile lavare il coperchio rimovibile, la maniglia e il cestello nella lavastoviglie sul cesto superiore.
5. Lavare l'interno e l'esterno della friggitrice con una goccia di sapone su un panno umido. Risciacquare accuratamente con un panno asciutto o un tovagliolo di carta prima di aggiungere l'olio.

ATTENZIONE: NON METTERE la friggitrice in lavastoviglie.

AVVERTENZA: Tutti i componenti devono essere completamente asciutti prima di riempire il serbatoio con olio e prima dell'uso.

AVVERTENZA: Prestare particolare attenzione per garantire che il coperchio del filtro rimovibile e il coperchio della friggitrice siano asciutti; caso contrario il vapore potrebbe rimanere pericolosamente intrappolato all'interno della friggitrice durante l'uso.

ASSEMBLARE E RIEMPIRE DEL SERBATOIO DELL'OLIO

AVVERTENZA: Non collegare mai la friggitrice nella presa elettrica mentre il serbatoio dell'olio è vuoto.

1. Sollevare la maniglia e rimuovere il cestello. **(Fig.2)**
2. Versare olio di cottura nel serbatoio fino a quando il livello dell'olio si trova tra le linee "MIN" e "MAX" all'interno del serbatoio dell'olio. Per risultati ottimi, mantenere l'olio vicino al livello "MAX". **NON** superare il livello "MAX". **(Fig. 3)**

NOTA: Utilizzare olio vegetale miscelato, olio di mais puro o olio di colza. **NON** usare olio d'oliva, margarina, strutto o sgocciolamento.

USO DI GRASSI SOLIDI

AVVERTENZA: NON È CONSIGLIATO aggiungere grasso solido nel serbatoio dell'olio o nel cestello.

Se si utilizza grasso di verdure solide, si scioglie prima in una padella separata e con attenzione versare il grasso fuso nel serbatoio dell'olio.

NOTA: Rimuovere precedentemente utilizzato grasso solido vegetale, cagliata o indurita dal serbatoio dell'olio e fonderlo in una padella separata prima di riutilizzarlo.

ATTENZIONE: Se tenti di sciogliere il grasso solido nel serbatoio dell'olio esiste un rischio che grasso fuso spruzza improvvisamente dal basso attraverso uno strato superiore di grasso ancora solido.

Utilizzare solo la seguente procedura.

- Assicurarsi che il grasso sia a temperatura ambiente. Se il grasso è molto freddo, aumenta il rischio di essere spruzzato.
 - Fare qualche buco nel grasso con una forchetta con cautela.
 - Assicurarsi che il coperchio stia ben chiuso.
 - Riscaldare il grasso lentamente con l'impostazione della temperatura più bassa.
3. Inserire il cestello e abbassare la maniglia facendo scorrere il pulsante in avanti. Chiudere il coperchio (Fig. 4)

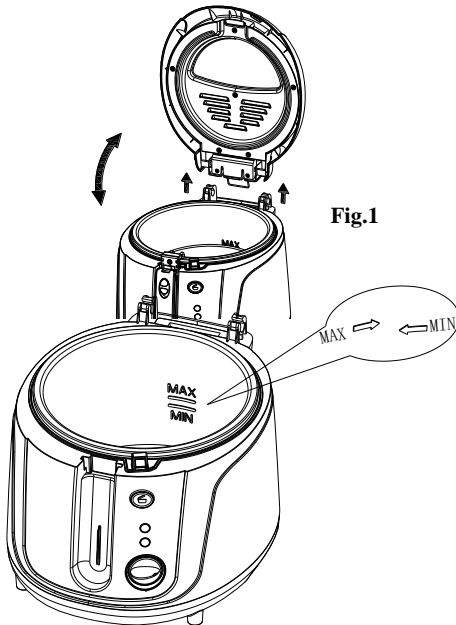


Fig. 3

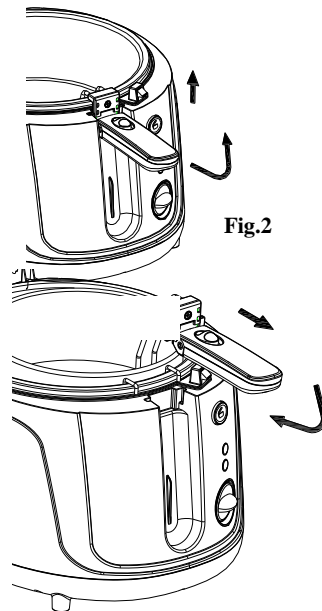


Fig. 4

Uso della friggitrice

PRERISCALDAMENTO

ATTENZIONE: NON LASCIARE incustodita la friggitrice mentre è in funzione.

IMPORTANTE: Utilizzare sempre la friggitrice su una superficie piana e resistente al calore

1. Chiudere il coperchio.
2. Assicurarsi che le mani siano asciutte e poi collegare l'unità alla presa elettrica.
3. Impostare la manopola della temperatura sulla temperatura desiderata. L'indicatore di prontezza si accenderà.

RIEMPIRE IL CESTELLO PER LA FRITTURA

AVVERTENZA: Utilizzare sempre il cestello per friggere i cibi.

AVVERTENZA: Rimuovere e sostituire sempre il cestello con cura.

1. Premere il pulsante di rilascio del coperchio per aprire il coperchio.
2. **NON RIEMPIRE** il cestello quando è immerso nell'olio. Tenere sempre il cestello per la maniglia fredda.
3. Mettere il cibo con attenzione nel cestello per friggere. **NON RIEMPIRE** eccessivamente. Per risultati ottimali e tempi brevi di frittura, il cestello dovrebbe essere solo mezzo pieno.

NOTA: Per cuocere in modo uniforme, i pezzi di cibo devono essere delle stesse dimensioni e dello stesso spessore. Pezzi più spessi impiegheranno più tempo a cucinare.

IMPORTANTE: Assicurarsi che il cibo che si prepara è asciutto. Tamponare il cibo con un asciugamano di carta o un canovaccio pulito se necessario.

ATTENZIONE: Quando si friggono cibi surgelati, assicurarsi di pulire il ghiaccio dagli alimenti prima di riporli nel cestello. In caso contrario, la friggitrice potrebbe traboccare quando il cibo viene immerso nell'olio.

AVVERTENZA: Rimuovere il cestello dalla friggitrice durante il riempimento, poiché l'olio schizza dappertutto e causa ustioni. Per il cibo surgelato, si raccomanda che il cibo non riempia più di 1/4 della capacità del cestello.

FRIGGERE IL CIBO

ATTENZIONE: L'olio è caldo e può causare gravi lesioni.

1. Mettere lentamente e con attenzione il cestello nell'olio riscaldato. Un abbassamento troppo rapido del cestello può portare a schizzi e fuoriuscite di olio. **NON** lasciare cadere rapidamente il cestello nell'olio di cottura.
2. Chiudere il coperchio prima di friggere.

NOTA: È normale che il vapore esce dai lati della friggitrice durante la frittura.

AVVERTENZA: Evitare di stare vicino alla friggitrice mentre è in funzione.

3. Utilizzare la finestra di controllo degli alimenti. Quando il cibo è pronto, allontanarsi dal dispositivo prima di aprire il coperchio per consentire l'uscita del vapore caldo.
4. Sollevare il cestello dall'olio e fissarlo sul bordo del serbatoio dell'olio per far filtrare il cibo per un minuto.
5. Rimuovere il cibo dal cestello afferrandolo con le pinze o trasferendo il cibo nella ciotola di servizio o su un piatto coperto con salviette di carta.
6. Ripetere la procedura per il cibo rimanente.
7. Al termine dell'uso della friggitrice, ruotare la manopola per regolazione di temperatura in senso antiorario per spegnere il dispositivo.
8. Scollegare la friggitrice dalla presa a muro e lasciare raffreddare per circa 2 ore prima di tentare di rimuovere l'olio o pulire la friggitrice.

AVVERTENZA: Non utilizzare mai un cavo di alimentazione per spegnere la friggitrice.

AVVERTENZA: Non utilizzare mai la friggitrice per cuocere acqua.

CONSERVAZIONE O RIUTILIZZO DELL'OLIO PER LA COTTURA

NOTA: L'olio non deve essere cambiato dopo ogni utilizzo e può essere utilizzato fino a quando non si è scurito, mentre non vi sono residui di cibo come pasta o briciole.

NOTA: Non è consigliabile conservare o riutilizzare l'olio usato per friggere alimenti contenenti molte proteine, come carne di pollo, carne o pesce. Quando l'olio viene utilizzato principalmente per friggere le patate e viene filtrato dopo ogni utilizzo, può essere utilizzato da 8 a 10 volte, ma **NON USARE** lo stesso olio per più di 6 mesi.

Guida e suggerimenti per la frittura

CIBO	TEMPO DI FRITTURA	TEMP.
PATATINE FRITTE	6-9min	190°C
FILETTI DI PESCE	3-6min	170°C
ANELLI DI POLLO	6-9min	190°C
PEZZI DI POLLO	12-20min	150°C
ZUCCHINE FRITTE	3-6min	130°C
FUNGHI FRITTI	4-6min	130°C
ANELLI DI CIPOLLA	3-6min	130°C
CIAMBELLE	3-6min	130°C
MELE COTTE	3-6min	130°C
GAMBERETTI	3-6min	130°C

IMPORTANTE: Sostituire sempre l'olio non appena la schiuma inizia a formarsi o quando il colore si scurisce, quando ha un sapore o odore bruciante o quando diventa sciroppo.

1. Assicurarsi che la friggitrice sia spenta, che la spina sia scollegata dalla presa e raffreddata per circa 4 ore prima di spostare l'apparecchio.
2. Togliere il coperchio e il cestello.
3. Utilizzando un imbuto, versare l'olio dall'angolo posteriore del serbatoio attraverso un filtro di carta o un tappo di filo nel serbatoio di stoccaggio.

IMPORTANTE: Il serbatoio dell'olio non viene rimosso dalla friggitrice.

4. Per riutilizzare questo olio, versarlo nuovamente nel serbatoio dell'olio.

IMPORTANTE: NON MISCHIARE oli diversi o olio nuovo e vecchio.

GUIDA DI FRITTURA CONSIGLIATA

NOTA: I tempi di cottura e le temperature sopra riportati riflettono solo il tempo approssimativo necessario per friggere un cestello mezzo pieno. I tempi esatti possono essere diversi a seconda della quantità effettiva, delle preferenze di cottura personali; dimensioni e spessore dei pezzi, ecc. In generale, usare impostazioni più basse per cibi deliziosi (verdure, pesce) e impostazioni più alte per cibi surgelati, patatine fritte e pollo.

CONSIGLI DI FRITTURA

Per i migliori risultati di cottura, prendere nota di questi suggerimenti utili:

- Per evitare l'accumulo di condensa sulla finestra di visualizzazione, strofinare un po' di olio da cucina sulla finestra.
- **NON MESCOLORE** oli diversi o olio nuovo e vecchio insieme.
- Sostituire l'olio regolarmente, in generale, l'olio usato per friggere cibo con proteine, come pollame, carne e pesce, non deve essere riutilizzato, quando l'olio è principalmente usato per friggere le patate e viene filtrato dopo ogni uso, può essere usato da 8 a 10 volte ma **NON** usare lo stesso olio per più di 6 mesi.
- Sostituire sempre tutto l'olio quando inizia a schiumare durante riscaldamento, quando il colore diventa scuro, quando ha un odore o sapore rancido, o diventa sciroppo.
- Assicurarsi che il cibo che si prepara sia asciutto. Tamponare il cibo con un asciugamano di carta o un canovaccio pulito se necessario.
- Per cuocere in modo uniforme, i pezzi di cibo devono essere delle stesse dimensioni e dello stesso spessore. Pezzi più spessi impiegheranno più tempo a cucinare.

Pulizia e manutenzione della friggitrice

ISTRUZIONI PER LA PULIZIA

1. Assicurarsi che la friggitrice sia spenta, che la spina sia scollegata dalla presa e raffreddata per circa 4 ore.
2. Rimuovere il coperchio e il cestello per friggere e lavarli in acqua calda con sapone. Pulire accuratamente. Il coperchio staccabile e il cestello possono essere lavati nella lavastoviglie nel cesto superiore.
3. Lavare la friggitrice all'interno (se l'olio è conservato in un contenitore speciale) ed all'esterno con una goccia di sapone su un panno umido.
4. Rimuovere il sapone solo con un panno umido.
5. Asciugare bene con un panno asciutto o un tovagliolo di carta.

AVVERTENZA: NON IMMERGERE la friggitrice nell'acqua. Non mettere la friggitrice in lavastoviglie.

AVVERTENZA: NON usare alcol o detersivi per pulire la friggitrice.

COME CONSERVARE SICURAMENTE L'APPARECCHIO

1. Assicurarsi che la friggitrice sia spenta, che la spina sia scollegata dalla presa, che sia raffreddata e pulita.
2. Conservare il cestello nella friggitrice e chiudere il coperchio.
3. Tenere la friggitrice su una superficie piana e asciutta rivolta verso l'alto e non sarà pericolosa, non potrà ferire nessuno o danneggiare qualcosa.

Guida alla risoluzione dei problemi

Risoluzione dei problemi

Se la Sua friggitrice non funziona:

1. Verificare se la spina è inserita saldamente in una presa elettrica.
2. Accertarsi che la presa elettrica funzioni, spegnere l'apparecchio, controllare la scatola dei fusibili o la scatola dell'interruttore di sicurezza e sostituire il fusibile o ripristinare l'interruttore secondo necessità, quindi ricollegare l'apparecchio.
3. Se il problema persiste, contattare l'assistenza clienti.

SMALTIMENTO ECO-COMPATIBILE



Puoi aiutare a proteggere l'ambiente!
Ricordarsi di rispettare le normative locali:
consegnare le apparecchiature elettriche non
funzionanti a un centro di smaltimento
appropriato.



VOX
ELECTRONICS

DEU

BEDIENUNGSANLEITUNG
FT-5318



Lesen Sie diese Bedienungsanleitung sorgfältig durch und bewahren Sie sie für die weitere Nutzung auf

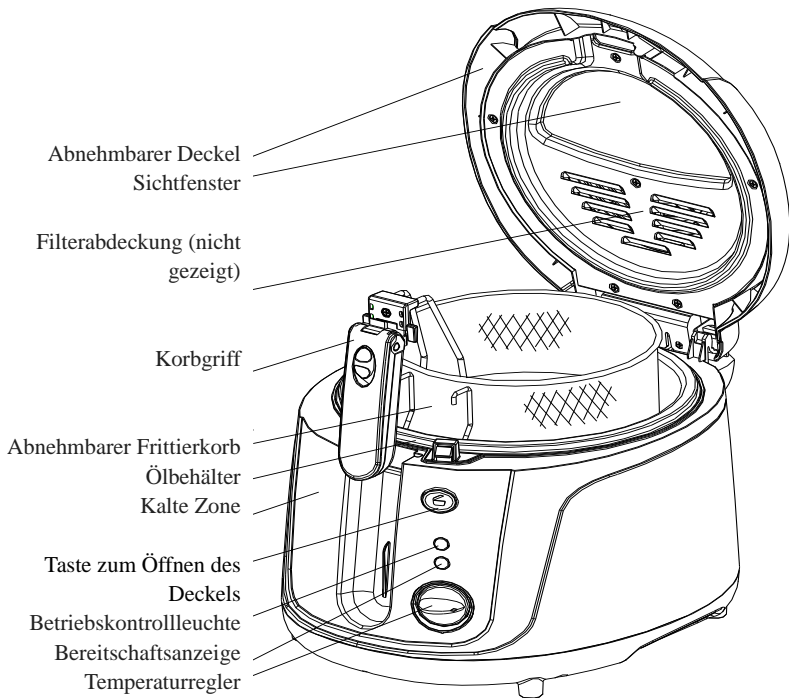
WICHTIGE SICHERHEITSHINWEISE

Bei der Verwendung von Elektrogeräten sollten stets grundlegende Vorsichtsmaßnahmen getroffen werden, einschließlich der folgenden:

1. Lesen Sie alle Anweisungen.
2. Berühren Sie die heißen Oberflächen nicht. Verwenden Sie Griffe oder Knöpfe.
3. Tauchen Sie weder die Fritteuse noch Netzkabel oder -stecker in Wasser oder andere Flüssigkeiten, um einen elektrischen Schlag zu vermeiden.
4. Lassen Sie das Gerät nicht unbeaufsichtigt, wenn es von Kindern oder in der Nähe von Kindern verwendet wird.
5. Ziehen Sie den Stecker aus der Steckdose, wenn Sie das Gerät nicht benutzen und bevor Sie es reinigen. Lassen Sie das Gerät abkühlen, bevor Sie Teile anbringen oder abnehmen und bevor Sie das Gerät reinigen.
6. Stellen Sie das Gerät nie auf eine weiche Arbeitsfläche oder einen Tisch, die mit einem Tischtuch bedeckt ist. Stellen Sie sicher, dass das Gerät auf einer stabilen, ebenen Oberfläche verwendet wird.
7. Benutzen Sie das Gerät niemals nach einer Fehlfunktion, wenn das Netzkabel bzw. der Netzstecker defekt ist oder wenn es auf eine andere Weise beschädigt wurde. Um Gefährdungen zu vermeiden dürfen Reparaturen am Gerät, wie z.B. eine beschädigte Zuleitung austauschen, nur durch einen autorisierten Kundendienst vorgenommen werden.
8. Die Verwendung von Zubehörteilen, die nicht vom Hersteller des Geräts empfohlen werden, kann zu Verletzungen führen.
9. Lassen Sie das Kabel nicht über die Kante des Tisches oder der Theke hängen oder heiße Oberflächen berühren.
10. Verwenden Sie dieses Gerät nicht, wenn Ölbehälter, Öl und andere Materialien fehlen oder das Öl nicht ausreicht.
11. Stellen Sie es nie auf oder in der Nähe von heißen Oberflächen ab (z.B. Gas-, Elektroherdplatten etc.) oder in einen beheizten Ofen.
12. Seien Sie äußerst vorsichtig, wenn Sie einen Ortswechsel mit der Fritteuse durchführen, wenn heißes Öl sich in der Fritteuse befinden.
13. Überschreiten bzw. unterschreiten Sie nie die MAX- und MIN-Markierungen am Gerät beim Einfüllen von Öl oder Fett!

14. Das Öl im Ölbehälter ist nach dem Ausschalten noch heiß. Bewegen Sie das Gerät nicht, bis es vollständig abgekühlt ist. Heben Sie den Ölbehälter mit den Griffen an.
15. Überschreiten bzw. unterschreiten Sie nie die MAX- und MIN-Markierungen am Gerät beim Einfüllen von Öl oder Fett!
16. Entfernen Sie Eiskristalle von noch gefrorenen Lebensmittel, bevor Sie diese in den Frittierkorb legen und trocknen Sie das Frittiergut gut ab, bevor Sie es ins Öl eintauchen.
17. Dieses Gerät ist nicht dafür bestimmt, durch Personen (einschließlich Kinder) mit eingeschränkten physischen, sensorischen oder geistigen Fähigkeiten oder mangels Erfahrung und/oder mangels Wissen benutzt zu werden, es sei denn, sie werden durch eine für ihre Sicherheit zuständige Person beaufsichtigt oder erhalten von ihr Anweisungen, wie das Gerät zu benutzen ist.
18. Kinder sollten beaufsichtigt werden, um sicherzustellen, dass sie nicht mit dem Gerät spielen.
19. Das Gerät darf nicht mit einer externen Zeitschaltuhr oder separatem Fernwirkssystem betrieben werden.
20. Heben Sie nach dem Frittieren immer den Korb an und warten Sie einige Sekunden, bis der Dampfdruck nachlässt.
21. Benutzen Sie das Gerät nur zu seinem bestimmten Zweck.
22. Benutzen Sie das Gerät nicht im Freien.
23. Bewahren Sie das Gerät im Haus auf, um den Ausfall elektronischer Bauteile zu verhindern.
24. **WARNUNG:** Heißes Öl und Fett können schwere Verbrennungen verursachen. Bewegen Sie das Gerät nicht während des Betriebs oder solange Teile oder der Inhalt heiß sind. Das Netzkabel darf nicht vom Rand der Fläche hängen, auf der die Fritteuse steht. Kinder könnten am herunter hängenden Kabel ziehen oder es könnte den Benutzer stören.

Produktbeschreibung



Charakteristika

BETRIEBSKONTROLLLEUCHE

Dieses Licht leuchtet auf, wenn die Fritteuse eingeschaltet ist.

BEREITSCHAFTSANZEIGE

Die Bereitschaftsanzeige wird während des Erhitzens mehrmals ein- und ausgeschaltet. es wird ausgeschaltet, sobald die gewünschte Temperatur erreicht ist.

TEMPERATURREGELUNG

Drehen Sie den Temperaturregler, um eine Temperatur von bis zu 190 ° C auszuwählen. Die Temperatur kann jederzeit eingestellt werden.

DECKEL MIT SICHTFENSTER

Der Deckel Ihrer Fritteuse befindet sich auf einem federbelasteten Scharnier und lässt sich bequem per Knopfdruck öffnen. Halten Sie Ihre Speisen während des Frittierens im Auge, indem Sie durch das bequeme Sichtfenster blicken. Der Deckel ist auch abnehmbar und spülmaschinengeeignet.

DRAHT-FRITTIERKORB

Der herausnehmbare Frittierkorb aus Draht mit kaltem Griff ermöglicht das sichere und einfache Hinzufügen und Entfernen von Lebensmitteln.

Vor der ersten Inbetriebnahme

Reinigung vor der ersten Inbetriebnahme

1. Entfernen Sie die Verpackungsmaterial und sämtliche Aufkleber. Lesen Sie alle Anweisungen.
2. In der Fritteuse befinden sich der Frittierkorb und der Griff. Öffnen Sie die Fritteuse durch Drücken der Entriegelungstaste.

Um den Frittierkorb zu entnehmen, ziehen Sie den Griff nach oben

3. Den Deckel der Fritteuse können Sie nach oben abziehen. (**Abb.1**)
4. Der Korbgriff, der Deckel und der Frittierkorb können in warmem Seifenwasser gereinigt werden. Trocknen Sie die Geräteteile gut ab. Der abnehmbare Deckel, der Korb und der Griff können in der Spülmaschine im oberen Korb gereinigt werden.
5. Reinigen Sie die Fritteuse innen und außen mit einem Seifentropfen auf einem feuchten Tuch. Spülen Sie sie mit einem Tuch oder Küchenpapier gründlich ab, bevor Sie den Ölbehälter mit Öl füllen.

WARNUNG: Legen Sie die Fritteuse **NICHT** in die Spülmaschine.

WARNUNG: Stellen Sie sicher, dass alle Teile vor erneuter Benutzung des Gerätes und vor der Lagerung vollständig getrocknet sind.

WARNUNG: Es muss besonders darauf geachtet werden, dass der abnehmbare Filterdeckel und der Deckel getrocknet sind. Achten Sie darauf, dass kein Wasser im Deckel zurückbleibt.

MONTAGE UND FÜLLEN DES ÖLBEHÄLTERS

WARNUNG: Schließen Sie nie die Fritteuse an, wenn der Ölbehälter leer ist.

1. Heben Sie den Griff an und entfernen Sie den Korb (**Abb. 2**).
2. Füllen Sie Öl in den Ölbehälter. Der Füllstand muss zwischen der MIN- und MAX Markierung im Inneren des Ölbehälters liegen. Um optimale Ergebnisse zu erzielen, halten Sie das Öl nahe an der „MAX“-Markierung. Den MAX-Wert **NICHT** überschreiten. (**Abb. 3**)

HINWEIS: Verwenden Sie gemischtes Pflanzenöl, reines Maisöl oder Rapsöl. Verwenden Sie **KEIN** Olivenöl, Margarine oder Schmalz.

VERWENDUNG VON FESTEN FETTEN

WARNUNG: Es wird **NICHT EMPFOHLEN**, festes Fett in den Ölbehälter oder in den Frittierkorb zu legen.

Wenn Sie festes Pflanzenfett verwenden, schmelzen Sie es zuerst in einem separaten Behälter und gießen Sie dann das geschmolzene Fett sehr vorsichtig in den Ölbehälter.

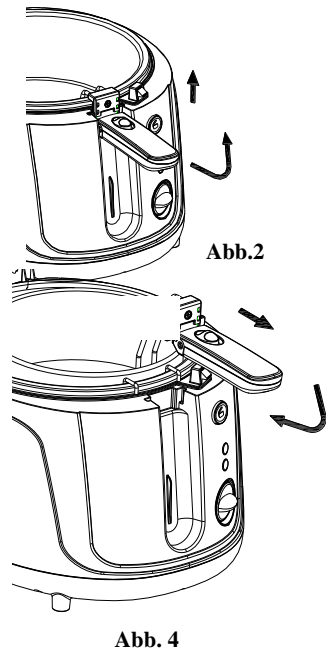
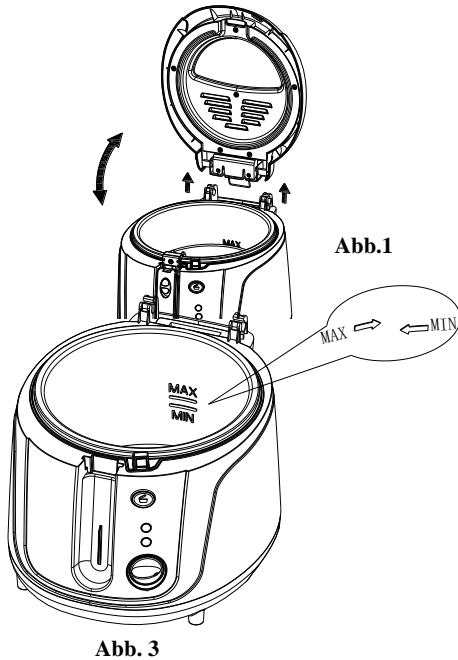
HINWEIS: Zuvor verwendetes festes Pflanzenfett, das im Ölbehälter geronnen und ausgehärtet ist, sollte vor der Wiederverwendung aus dem Ölbehälter entfernt und in einer separaten Pfanne geschmolzen werden.

ACHTUNG: Wenn Sie versuchen, das erstarrte Fett im Ölbehälter zu schmelzen, besteht die Gefahr, dass heißgeschmolzenes Fett plötzlich von unten durch die feste Fettschicht spritzt.

Verwenden Sie nur das folgende Verfahren beim Schmelzen von festem Fett in Ihrer Fritteuse:

- Stellen Sie sicher, dass das Fett Raumtemperatur hat. Wenn das Fett kalt ist, besteht ein erhöhtes Spritzrisiko.
- Mit einer Gabel vorsichtig einige Löcher in das Fett stechen.
- Stellen Sie sicher, dass der Deckel immer fest geschlossen ist.
- Fett langsam auf niedrigste Temperatureinstellung erhitzen.

3. Setzen Sie den Frittierkorb wieder in den Ölbehälter ein und senken Sie den Griff, indem Sie den Knopf nach vorne schieben. Schließen Sie den Deckel (**Abb.4**)



BEDIENUNG

VORWÄRMEN

VORSICHT: Lassen Sie die Fritteuse während des Betriebs **NICHT** unbeaufsichtigt.

WICHTIG: Verwenden Sie die Fritteuse immer auf einer flachen, hitzebeständigen Oberfläche.

1. Schließen Sie den Deckel.
2. Stellen Sie sicher, dass Ihre Hände trocken sind, und verbinden Sie den Netzstecker mit einer geeigneten Steckdose.
3. Stellen Sie den Temperaturregler auf die gewünschte Stufe. Die Bereitschaftsanzeige leuchtet auf.

Füllen sie den Frittierkorb

WARNUNG: Nur mit dem Korb frittieren!

WARNUNG: Den Frittierkorb immer vorsichtig entfernen und wieder einsetzen:

1. Drücken Sie die Entriegelungstaste, um den Deckel zu öffnen.
2. Füllen Sie den Frittierkorb **NICHT**, wenn er in Öl getaucht ist. Halten Sie den Korb immer am kalten Griff.
3. Lebensmittel vorsichtig in den Frittierkorb legen. Nicht überfüllen. Für optimale Ergebnisse und kürzere Bratzeiten sollte der Korb nur bis zur Hälfte gefüllt werden.

HINWEIS: Um gleichmäßig zu frittieren, sollten Lebensmittelstücke die gleiche Größe und Dicke haben. Dickere Stücke brauchen längere Zeit zum Frittieren.

WICHTIG: Stellen Sie sicher, dass das Frittiergut trocken ist. Bei Bedarf die Lebensmittel mit einem Papiertuch oder einem sauberen Geschirrtuch abtupfen.

VORSICHT: Bei Tiefkühlprodukten müssen Sie unbedingt Eiskristallen entfernen, bevor Sie sie in den Korb legen. Bei zu feuchten Lebensmitteln entsteht eine starke Schaumbildung, wodurch im ungünstigsten Fall das Öl auch überlaufen kann.

WARNUNG: Entfernen Sie den Frittierkorb beim Füllen aus der Fritteuse, da das Öl spritzt und Verbrennungen verursacht. Für Tiefkühlkost wird empfohlen, dass die Lebensmittel nicht mehr als ein Viertel der Korbkapazität füllen.

FRITTIEREN

VORSICHT: Das Öl ist sehr heiß und kann schwere Verletzungen verursachen.

1. Senken Sie den Korb langsam und vorsichtig in das erhitzte Öl. Ein zu schnelles Absenken des Korbs kann zu einem Überlaufen und Spritzen des Öls führen. Lassen Sie den Korb **NICHT** ins Öl fallen.
2. Schließen Sie den Deckel vor dem Frittieren.

HINWEIS: Es ist normal, dass Dampf während des Frittierens durch die Seiten des Deckels entweicht.

WARNUNG: Vermeiden Sie es, während des Frittierens zu nahe an der Fritteuse zu stehen.

3. Verwenden Sie das Sichtfenster, um Ihre Speisen zu überwachen. Wenn das Essen fertig ist, gehen Sie vom Gerät weg, bevor Sie den Deckel öffnen, damit heißer Dampf entweichen kann.
4. Heben Sie den Korb aus dem Öl und haken Sie ihn am Rand des Ölbehälters ein, damit das Frittiergut eine Minute lang abtropfen kann.
5. Nehmen Sie das Frittiergut mit einer Küchenzange aus dem Korb oder stellen Sie es in einen Servierbehälter oder auf einen mit Papiertüchern bedeckten Teller.
6. Wiederholen Sie den Vorgang für das restliche Frittiergut.
7. Wenn Sie Ihre Fritteuse nicht mehr brauchen, drehen Sie den Temperaturregler ganz nach links, um das Gerät auszuschalten.
8. Ziehen Sie den Stecker der Fritteuse aus der Steckdose und warten Sie etwa zwei Stunden lang, bevor Sie das Öl entfernen oder die Fritteuse reinigen.

WARNUNG: Verwenden Sie nie das Netzkabel, um die Fritteuse auszuschalten.

WARNUNG: Verwenden Sie Ihre Fritteuse niemals zum Wasserkochen.

ENTSORGUNG ODER WIEDERVERWENDEN VON ÖL

HINWEIS: Das Öl muss nicht nach jedem Gebrauch gewechselt werden und kann verwendet werden, bis es dunkel wird oder Lebensmittelstücke wie Teig oder Semmelbrösel darin sind.

HINWEIS: Es wird nicht empfohlen, Öl, das zum Frittieren von Lebensmitteln mit Eiweiß (wie Geflügel, Fleisch und Fisch) verwendet wurde, zu lagern oder erneut zu verwenden. Wenn Öl hauptsächlich zum Frittieren von Kartoffeln verwendet wird und nach jedem Gebrauch gefiltert wird, kann es 8 bis 10 Mal verwendet werden, aber verwenden Sie dasselbe Öl **NICHT** länger als 6 Monate.

WICHTIG: Wechseln Sie immer das Öl in folgenden Fällen: unangenehme Gerüche, Rauchbildung während des Frittierens; das Öl beginnt zu schäumen, ist dunkel oder sirupartig geworden.

1. Stellen Sie sicher, dass die Fritteuse ausgeschaltet und der Netzstecker gezogen ist und ungefähr 4 Stunden abgekühlt wurde, bevor Sie versuchen, Öl aufzubewahren.

2. Entfernen Sie den Deckel und den Frittierkorb.
3. Mit einem Trichter das Öl aus der hinteren Ecke des Ölbehälters durch einen Papierfilter oder ein Sieb in einen Vorratsbehälter gießen.

WICHTIG: Der Ölbehälter wird nicht aus der Fritteuse entfernt.

4. Um dieses Öl wiederzuverwenden, gießen Sie es wieder in den Ölbehälter.

WICHTIG: Mischen Sie nie verschiedenen Öle oder neues und altes Öl zusammen.

Empfohlene Anleitung und Tipps zum Frittieren

Nahrungsmittel	Zeit	Temperatur
Pommes frites	6-9 Minuten	190°C
Fischfilet	3-5 Minuten	150°C
Hühnerfinger	6-8 Minuten	170°C
Hühnerstücke	13-20 Minuten	170°C
Frittierte Zucchini	3 Minuten	150°C
Frittierte Champignons	3 Minuten	150°C
Zwiebelringe	3 Minuten	150°C
Donuts	3-5 Minuten	170°C
Apfelbeignets	4 Minuten	170°C
Garnele	4-6 Minuten	150°C

HINWEIS: Bei den angegebenen Frittierzeiten und Temperaturen handelt es sich um Richtwerte, die je nach Menge und persönlichem Geschmack geändert werden müssen. Die folgenden Garzeiten geben nur die ungefähre Zeit an, die erforderlich ist, um einen bis zur Hälfte gefüllten Korb zu frittieren. Im Allgemeinen werden niedrigere Einstellungen für empfindliche Lebensmittel (Gemüse, Fisch) und höhere Einstellungen für Tiefkühlkost, Pommes Frites und Huhn verwendet.

TIPPS

Beachten Sie diese hilfreichen Tipps, um beste Ergebnisse zu erzielen:

- Um Kondensation am Sichtfenster zu vermeiden, reiben Sie etwas Öl in das Fenster.
- Mischen Sie **NIE** verschiedenen Öle oder neues und altes Öl zusammen.
- Wechseln Sie Öl regelmäßig. Es wird nicht empfohlen, Öl, das zum Frittieren von Lebensmitteln mit Eiweiß (wie Geflügel, Fleisch und Fisch) verwendet wurde, zu lagern oder erneut zu verwenden. Wenn Öl hauptsächlich zum Frittieren von Kartoffeln verwendet wird und nach jedem Gebrauch gefiltert wird, kann es 8 bis 10 Mal verwendet werden, aber verwenden Sie dasselbe Öl **NICHT** länger als 6 Monate.
- Wechseln Sie immer das Öl in folgenden Fällen: unangenehme Gerüche, Rauchbildung während des Frittiervorgangs; das Öl beginnt zu schäumen, ist dunkel oder sirupartig geworden.

- Stellen Sie sicher, dass das Frittiergut trocken ist, tupfen Sie es ggf. mit einem Papiertuch oder einem sauberen Geschirrtuch ab.
- Beim Frittieren von Tiefkühlkost sollten Größe und Dicke gleich sein, dickere Stücke brauchen mehr Zeit zum Frittieren .

Reinigen und Aufbewahren der Fritteuse

REINIGUNGSANLEITUNG

1. Stellen Sie sicher, dass die Fritteuse ausgeschaltet und der Netzstecker gezogen ist und dass die Fritteuse ungefähr 4 Stunden abgekühlt wurde.
2. Den Deckel und den Frittierkorb entfernen, im warmen Spülbad reinigen und gründlich trocknen. Der abnehmbare Deckel und Korb können in der Spülmaschine auf dem oberen Korb gereinigt werden.
3. Reinigen Sie die Fritteuse innen (wenn Öl in einem separaten Behälter aufbewahrt wird) und außen mit einem Seifentropfen auf einem feuchten Tuch.
4. Spülen Sie sie mit einem feuchten Tuch oder Küchenpapier gründlich ab.
5. Mit einem trockenen Tuch oder Papiertuch gründlich trocknen.

WARNUNG: Tauchen Sie die Fritteuse **NICHT** in Wasser. Legen Sie die Fritteuse nicht in die Spülmaschine.

WARNUNG: Verwenden Sie **KEINEN** Alkohol oder Reinigungsmittel, um die Fritteuse zu reinigen.

Wie die Fritteuse sicher aufbewahren?

1. Stellen Sie sicher, dass Ihre Fritteuse ausgeschaltet, abgekühlt und sauber ist.
2. Bewahren Sie den Korb in der Fritteuse auf und schließen Sie den Deckel.
3. Lagern Sie Ihre Fritteuse auf einer ebenen Fläche an einem kühlen trockenen Ort, so dass sie nicht beschädigt werden kann und für niemanden gefährlich ist.

Anleitung zur Fehlerbehebung

Fehlerbehebung

Wenn Ihre Fritteuse nicht funktioniert, folgen Sie diesen Anweisungen:

1. Stellen Sie sicher, dass der Stecker fest in die Steckdose eingesteckt ist.
2. Stellen Sie sicher, dass die Steckdose funktioniert, ziehen Sie den Stecker aus der Steckdose, überprüfen Sie die Sicherungen oder den Trennschalter.
3. Wenn das Problem weiterhin besteht, wenden Sie sich an den Kundendienst.

UMWELTFREUNDLICHE ENTSORGUNG



Sie können dazu beitragen, die Umwelt zu schützen!
Altgeräte dürfen nicht in den Hausmüll! Geben Sie sie bei einer geeigneten Sammelstelle ab.





VOX
ELECTRONICS

RUS

РУКОВОДСТВО ПО ЭКСПЛУАТАЦИИ
FT-5318



Перед началом эксплуатации устройства внимательно прочитайте данную инструкцию и сохраните ее для дальнейшего использования.

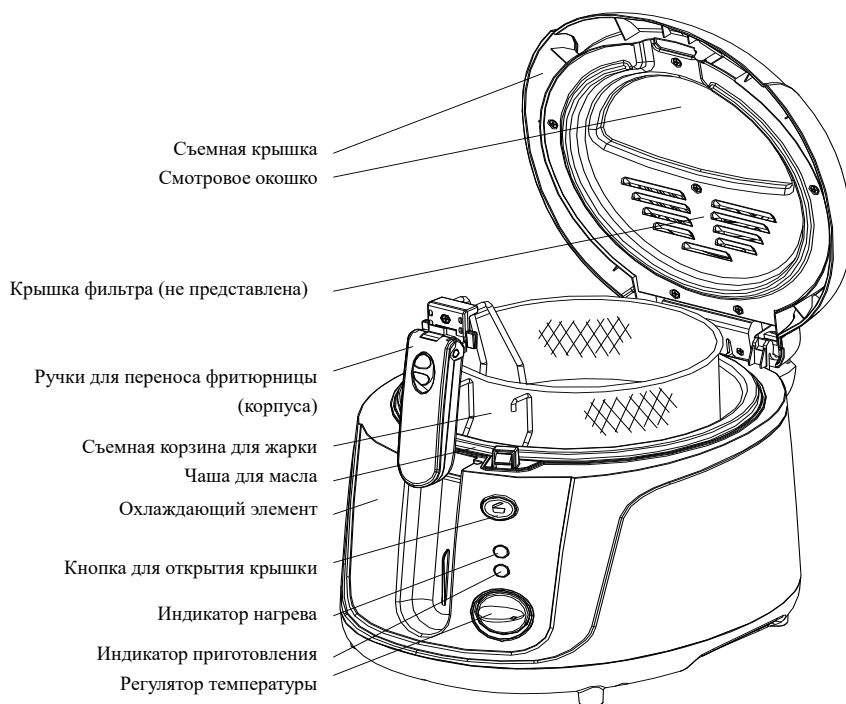
ВАЖНЫЕ УКАЗАНИЯ ПО ТЕХНИКЕ БЕЗОПАСНОСТИ

Перед началом эксплуатации электрического устройства необходимо выполнить основные требования безопасности, включая следующее:

1. Прочитайте всю инструкцию.
2. Не касайтесь горячей поверхности. Используйте ручки, крюки или кухонные перчатки.
3. Во избежание риска поражения током не погружайте шнур, вилку сетевого шнура или корпус в воду или любую другую жидкость.
4. Не оставляйте работающую фритюрницу без присмотра в присутствии детей или если ею пользуются дети.
5. Отключайте устройство от сети, если Вы им не пользуетесь или перед его чисткой. Снятие или установка частей или чистка разрешены только после полного охлаждения устройства.
6. Не ставьте устройство на мягкую рабочую поверхность или накрытый скатертью стол, пользуйтесь устройством только на твердой рабочей поверхности.
7. Не используйте устройство с поврежденным кабелем, вилкой сетевого шнура или при наличии неполадок в его работе или какого-либо повреждения. Обратитесь в ближайший специализированный сервисный центр для проверки, ремонта или регулировки.
8. Использование любых дополнительных деталей, не рекомендованных изготовителем, может привести к травмам.
9. Не оставляйте кабель электропитания свисать с края стола или рабочей поверхности или вблизи горячих поверхностей.
10. Запрещается включать фритюрницу без установленной чаши для масла с маслом, или какого-либо другого материала, или с недостаточным количеством масла.
11. Не устанавливайте аппарат на или вблизи газовой или электрической плиты, а также в разогретую духовку.
12. При перемещении фритюрницы, наполненной горячим маслом, необходимо быть максимально осторожным.
13. Запрещается включать фритюрницу к сети питания без установленной чаши для масла с маслом.
14. После выключения устройства чаша с маслом все еще горячая. Дайте фритюрнице остыть перед тем, как перемещать устройство. Чашу для масла можно вынимать с помощью специальных ручек.
15. Никогда не наполняйте чашу для масла большим количеством масла. Заправляйте объемы выше отметки «Минимум», но ниже отметки «Максимум», как это указано на внутренней стороне чаши для масла.
16. Не добавляйте продукты со льдом или мокрые продукты в горячее масло!
17. Этот прибор не предназначен для использования лицами (в том числе и детьми) с ограниченными физическими, сенсорными или умственными способностями, а также лицами, не имеющими достаточный опыт и знания, если они не находятся под наблюдением или не ознакомлены с правилами безопасного использования устройства со стороны лица, ответственного за их безопасность.

18. Не позволяйте детям играть с прибором.
19. Этот прибор не предназначен для работы с внешним таймером или системой дистанционного управления.
20. Всегда после завершения жарки поднимите корзину подождите несколько секунд, до уменьшения давления пара.
21. Запрещается использовать прибор не по назначению.
22. Не используйте фритюрницу на открытом воздухе.
23. Во избежание неисправностей электрических частей храните фритюрницу внутри помещения.
24. **ВНИМАНИЕ:** Попытка перемещения фритюрницы с рабочей поверхности может привести к серьезным ожогам. Не допускайте, чтобы шнур питания свисал с края рабочей поверхности, на котором стоит фритюрница, где до него могут дотянуться дети или где он может быть зацеплен пользователем.

ОПИСАНИЕ ПРОДУКТА



Характеристики

ИНДИКАТОР НАГРЕВА/СЕТИ

Когда фритюрница включена, загорается световой индикатор сети/нагрева.

ИНДИКАТОР ПРИГОТОВЛЕНИЯ

Во время нагрева данная лампочка несколько раз включается и выключается. Выключается после достижения необходимой температуры.

РЕГУЛЯТОР ТЕМПЕРАТУРЫ

Поверните регулятор температуры для установки температуры до 190°C. В любой момент температура может быть скорректирована.

КРЫШКА СО СМОТРОВЫМ ОКОШКОМ

Крышка Вашей фритюрницы расположена на пружинной перемычке и легко «открывается» одним нажатием на кнопку. За процессом приготовления следите через удобное смотровое окошко.

КОРЗИНА ДЛЯ ЖАРКИ ИЗГОТОВЛЕНА ИЗ НЕРЖАВЕЮЩЕЙ СТАЛИ

Съемная корзина из нержавеющей стали со специальной холодной ручкой позволяет безопасное добавление и удаление продуктов.

Перед использованием

Перед первым использованием фритюрницу очистите

1. Удалите всю упаковку, все наклейки и/или этикетки. Прочитайте полностью инструкцию.
2. Корзина для жарки и ручка находятся в приборе. Снимите крышку, нажав на кнопку. Потянув ручку, извлеките корзину.
3. Чтобы снять крышку, наклоните ее вперед и вытащите. **(Рис. 1)**
4. Промойте ручку корзины, крышку, корзину для жарки в горячей воде с мылом и насухо хорошо вытрите. Съемную крышку и корзину для жарки, и ручку Вы можете помыть на верхней полке посудомоечной машины.
5. Промойте фритюрницу внутри и снаружи одной каплей мыла на влажной ткани. Перед добавлением масла хорошенько почистите ее тканью или бумажной салфеткой.

ВНИМАНИЕ! ЗАПРЕЩАЕТСЯ ПОМЕЩАТЬ фритюрницу в посудомоечную машину.

ВНИМАНИЕ! Перед наполнением чаши для масла и использованием фритюрницы все ее части должны быть полностью сухими.

ВНИМАНИЕ! Следите за тем, чтобы съемная крышка фильтра и крышка фритюрницы были сухие; в противном случае существует опасность наличия пара внутри фритюрницы перед ее использованием.

СБОРКА И НАПОЛНЕНИЕ ЧАШИ ДЛЯ МАСЛА МАСЛОМ

ВНИМАНИЕ! Никогда не подключайте фритюрницу к электрической розетке, если чаша для масла пуста.

1. Поднимите ручку и снимите корзину. **(Рис.2)**
2. Наполните чашу для масла маслом выше отметки "MIN", но ниже отметки "MAX", в соответствии с линией для наполнения в чаше для масла. Для получения лучшего результата желательно, чтобы уровень масла находился ближе к уровню "MAX". **НЕ ПРЕВЫШАЙТЕ УРОВЕНЬ "MAX". (Рис. 3)**

ПРИМЕЧАНИЕ: Используйте смешанное растительное масло, чистое кукурузное масло или канальное масло (рапсовое масло). **НЕ** используйте оливковое масло, маргарин, жир или капли.

ИСПОЛЬЗОВАНИЕ БРИКЕТОВ ТВЕРДОГО ЖИРА

ВНИМАНИЕ! НЕ РЕКОМЕНДУЕТСЯ класть брикеты твердого жира в чашу для масла или в корзину для жарки.

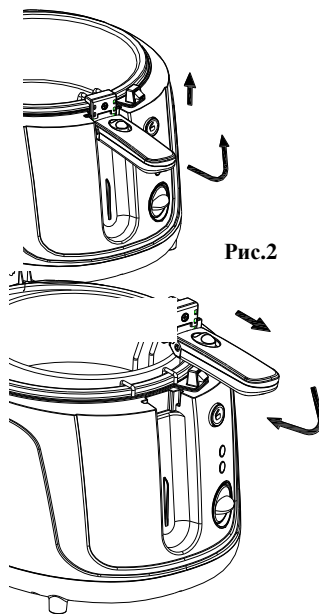
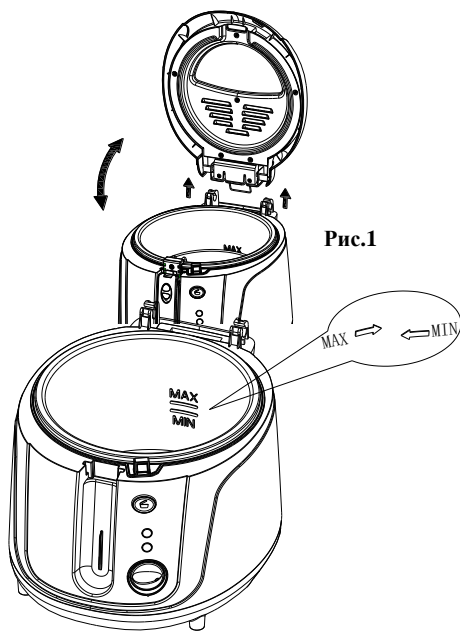
Если Вы используете твердый растительный жир, то сначала растопите его в отдельной кастрюле или сковороде, а только после этого осторожно налейте топленый жир в чашу для

масла.

ПРИМЕЧАНИЕ: Ранее использованный твердый растительный жир, забившийся и застрявший в чаше для масла, перед его повторным использованием необходимо удалить из чаши и растопить в отдельной сковороде или кастрюле.

ВНИМАНИЕ! При попытке растопить затвердевший в чаше для масла жир, существует риск, что быстро расплавленный нижний слой жира может брызнуть сквозь верхний, более твердый слой. Выполняйте только следующую процедуру.

- Убедитесь, что температура жира соответствует комнатной температуре. Если жир холодный, существует большая опасность разбрызгивания.
 - С помощью вилки осторожно проткните жир в нескольких местах.
 - Убедитесь, что крышка плотно закрыта.
 - Медленно растапливайте жир на самой низкой температуре.
3. Погрузите корзину и опустите ручку вниз, нажатием кнопки вперед. Закройте крышку. (Рис. 4)



Использование фритюрницы

ПРЕДВАРИТЕЛЬНЫЙ НАГРЕВ

ВНИМАНИЕ! Во время работы **НЕ ОСТАВЛЯЙТЕ** фритюрницу без присмотра.

ВНИМАНИЕ! Всегда используйте фритюрницу на плоской жаропрочной поверхности.

1. Закройте крышку.
2. Убедитесь, что Ваши руки сухие и подключите устройство к электрической розетке.
3. Установите регулятор температуры на необходимую температуру. Индикатор приготовления включится.

НАПОЛНИТЕ КОРЗИНУ ДЛЯ ЖАРКИ

ВНИМАНИЕ! Для поджаривания продуктов всегда используйте корзину для жарки.

ВНИМАНИЕ! Всегда осторожно снимайте и меняйте корзину для жарки.

1. Для открытия крышки нажмите на кнопку для снятия крышки.
2. **НЕ КЛАДИТЕ** в корзину продукты для жарки после ее погружения в масло. Всегда держите корзину за специально предусмотренную для этого, холодную ручку.
3. Осторожно опускайте продукты в корзину для жарки. **НЕ ПЕРЕПОЛНЯЙТЕ КОРЗИНУ.** Для достижения оптимальных результатов и сокращения времени жарки, корзина должна быть наполнена наполовину.

ПРИМЕЧАНИЕ: Для равномерной жарки куски продуктов должны быть одинакового размера и толщины. Для жарки более толстых кусков требуется больше времени.

ВНИМАНИЕ! Убедитесь, что подготовленные для приготовления продукты полностью высушены. При необходимости протрите их чистым кухонным полотенцем или бумажной салфеткой.

ВНИМАНИЕ! При поджаривании замороженных продуктов, перед тем, как их ставить в корзину, удалите с них кристаллы льда. Если во время опускания продуктов в масло Вы этого не сделаете, масло может вылиться за края фритюрницы.

ВНИМАНИЕ! Во избежание выплескивания масла или получения ожогов, перед заполнением корзины для жарки продуктами, сначала достаньте корзину из фритюрницы. Для замороженных продуктов рекомендуется, чтобы продукты занимали не более 1/4 емкости корзины.

ЖАРКА ПРОДУКТОВ

ВНИМАНИЕ! Масло горячее и может привести к получению серьезных травм.

1. Медленно и осторожно погружайте корзину в горячее масло. При быстром погружении корзины масло может вылиться за края фритюрницы или выплеснуться. **НЕ ПОГРУЖАЙТЕ** быстро корзину в масло.
2. До начала жарки закройте крышку.

ПРИМЕЧАНИЕ: Во время жарки выход пара наружу является нормальным.

ВНИМАНИЕ! Не стойте слишком близко к фритюрнице во время работы.

3. За процессом приготовления продуктов наблюдайте через смотровое окошко. Когда продукты будут готовы, перед открытием крышки и обеспечением полного выхода горячего пара, отодвиньтесь от фритюрницы.
4. Поднимите корзину из масла и повесьте ее на край чаши для масла, чтобы масло стекало из корзины.
5. Извлеките продукты из корзины с помощью щипцов для еды или переложите продукты в миску для сервировки, или на тарелку, покрытую бумажным полотенцем.
6. Повторите процедуру для оставшихся продуктов.
7. Для выключения прибора по окончании использования фритюрницы поверните регулятор температуры против часовой стрелки.
8. Перед чистой или сливом масла, выключите фритюрницу из розетки и подождите, чтобы она полностью остыла (приблизительно в течение 2-х часов).

ВНИМАНИЕ! Никогда не используйте кабель питания для выключения фритюрницы.

ВНИМАНИЕ! Никогда не используйте фритюрницу для нагрева воды.

ХРАНЕНИЕ ИЛИ ПОВТОРНОЕ ИСПОЛЬЗОВАНИЕ МАСЛА ДЛЯ ПРИГОТОВЛЕНИЯ

ПРИМЕЧАНИЕ: После каждого использования нет необходимости в замене масла. Его можно использовать пока оно не потемнеет, пока в нем нет остатков пищи, таких как тесто или

крошки.

ПРИМЕЧАНИЕ: Не рекомендуется хранить или повторно использовать масло, используемое для жарки продуктов, содержащих большое количество белка, таких как птица, мясо или рыба. Если масло используется, в основном, для жарки картофеля и фильтруется после каждого использования, его можно использовать от 8 до 10 раз, но одно и то же масло **НЕЛЬЗЯ ИСПОЛЬЗОВАТЬ** более 6 месяцев.

ВНИМАНИЕ! Всегда, как только во время нагревания начинает образовываться пена, или когда цвет масла темнеет, или когда чувствуется прогорклый запах или вкус, или когда масло приобретает консистенцию сиропа, его следует заменить.

1. Прежде чем приступить к сливу и хранению масла, убедитесь, что фритюрница выключена, вилка сетевого шнура отсоединена от розетки и охлаждена примерно в течение 4 часов.
2. Снимите крышку и корзину для жарки.
3. С помощью воронки слейте масло из заднего угла чаши для масла через бумажный фильтр или металлическое ситечко в емкость для хранения.

ВНИМАНИЕ! Чашу для масла из фритюрницы не снимать.

4. Для повторного использования этого масла, его слейте обратно в чашу для масла.

ВНИМАНИЕ! НЕ СМЕШИВАЙТЕ различные сорта масла или старое и новое масло.

ПРЕДЛАГАЕМЫЕ РЕКОМЕНДАЦИИ И СОВЕТЫ ДЛЯ ПРИГОТОВЛЕНИЯ

ПРОДУКТЫ	ВРЕМЯ ПРИГОТОВЛЕНИЯ	ТЕМП.
КАРТОФЕЛЬ ФРИ	6-9 мин.	190 ⁰ С
РЫБНОЕ ФИЛЕ	3-6 мин.	170 ⁰ С
КУРИНЫЕ ПАЛЬЧИКИ	6-9 мин.	190 ⁰ С
КУСОЧКИ КУРИЦЫ	12-20 мин.	150 ⁰ С
ЖАРЕННЫЕ КАБАЧКИ	3-6 мин.	130 ⁰ С
ЖАРЕННЫЕ ГРИБЫ	4-6 мин.	130 ⁰ С
КРУЖОЧКИ ЛУКА	3-6 мин.	130 ⁰ С
ПОНЧИКИ	3-6 мин.	130 ⁰ С
ЖАРЕННЫЕ ЯБЛОКИ	3-6 мин.	130 ⁰ С
КРЕВЕТКИ	3-6 мин.	130 ⁰ С

СОВЕТЫ ДЛЯ ПРАВИЛЬНОЙ ЖАРКИ

ПРИМЕЧАНИЕ: Указанное время приготовления является приблизительным временем, необходимым для жарки одной корзины, наполненной наполовину. Точное время может изменяться в зависимости от конкретного количества, персонального вкуса, количества и

толщины кусков и т.п. В основном, для приготовления легкой пищи (овощи, рыба) устанавливается низкая температура, а для замороженных продуктов, картофеля фри и курицы более высокие.

СОВЕТЫ ДЛЯ ПРАВИЛЬНОЙ ЖАРКИ

Для достижения хороших результатов при приготовлении пищи следуйте этим полезным советам:

- Во избежание появления конденсата на смотровом окошке, нанесите на него немного масла для приготовления пищи.
- **НЕ СМЕШИВАЙТЕ** различные сорта масла или старое и новое масло.
- Регулярно меняйте масло. Если говорить обобщенно, масло, используемое для жарки продуктов с большим количеством белка, таких, как птица, мясо и рыба, не следует использовать повторно. Если масло используется, в основном, для жарки картофеля и фильтруется после каждого использования, его можно использовать от 8 до 10 раз, но одно и то же масло **НЕЛЬЗЯ ИСПОЛЬЗОВАТЬ** более 6 месяцев.
- Всегда, как только во время нагревания начинает образовываться пена, или когда цвет масла темнеет, или когда чувствуется прогорклый запах или вкус, или когда масло приобретает консистенцию сиропа, его следует заменить.
- Убедитесь, что подготовленные для приготовления продукты полностью высушены. При необходимости протрите их чистым кухонным полотенцем или бумажной салфеткой.
- Для равномерной жарки куски продуктов должны быть одинакового размера и толщины. Для более толстых кусков требуется больше времени.

Чистка и хранение фритюрницы

ИНСТРУКЦИЯ ПО ЧИСТКЕ

1. Убедитесь, что фритюрница выключена, вилка сетевого шнура отсоединена от розетки и охлаждена примерно в течение 4 часов.
2. Снимите крышку и корзину для жарки, помойте в горячей воде с мылом и насухо хорошо вытрите. Съемную крышку и корзину для жарки можно помыть на верхней полке посудомоечной машины.
3. Промойте фритюрницу внутри (если масло хранится в отдельной емкости) и снаружи одной каплей мыла на влажной ткани. Перед добавлением масла хорошенько почистите ее тканью или бумажной салфеткой.
4. Удалите мыло только влажной тканью.
5. Хорошенько почистите ее тканью или бумажной салфеткой.

ВНИМАНИЕ! ЗАПРЕЩАЕТСЯ ПОГРУЖАТЬ фритюрницу в воду и ПОМЕЩАТЬ в посудомоечную машину.

ВНИМАНИЕ! Для чистки фритюрницы НЕ ИСПОЛЬЗУЙТЕ спирт или чистящие средства.

БЕЗОПАСНОЕ ХРАНЕНИЕ ФРИТЮРНИЦЫ

1. Убедитесь, что фритюрница выключена, вилка сетевого шнура отсоединена от розетки и фритюрница полностью остыла и чистая.
2. Храните корзину внутри фритюрницы и закройте крышку.
3. Храните фритюрницу на ровной, сухой поверхности перевернутую, благодаря чему она не представляет собой опасность, не может привести к травмам и не может быть причиной нанесения ущерба.

Советы по устранению неисправностей

Устранение неисправностей

Если Ваша фритюрница не работает:

1. Проверьте, надежно ли подключена вилка к электрической розетке.
2. Убедитесь, что электрическая розетка работает, выключите прибор, проверьте блок предохранителей или блок выключателей предохранителей и замените предохранитель, или, при необходимости, нажмите на кнопку «Сброс», затем снова подключите блок-прибор.
3. Если неисправность невозможно устранить, обратитесь в службу поддержки клиентов.

ОХРАНА ОКРУЖАЮЩЕЙ СРЕДЫ, УТИЛИЗАЦИЯ



Вы можете помочь в охране окружающей среды! Пожалуйста, соблюдайте местные нормы: передавайте неработающее электрическое оборудование в соответствующие центры утилизации электронных и электрических отходов.





VOX
ELECTRONICS

SRB

KORISNIČKO UPUTSTVO
FT - 5318



Pažljivo pročitajte korisničko uputstvo i sačuvajte ga za buduću upotrebu.

VAŽNA BEZBEDONOSNA UPUTSTVA

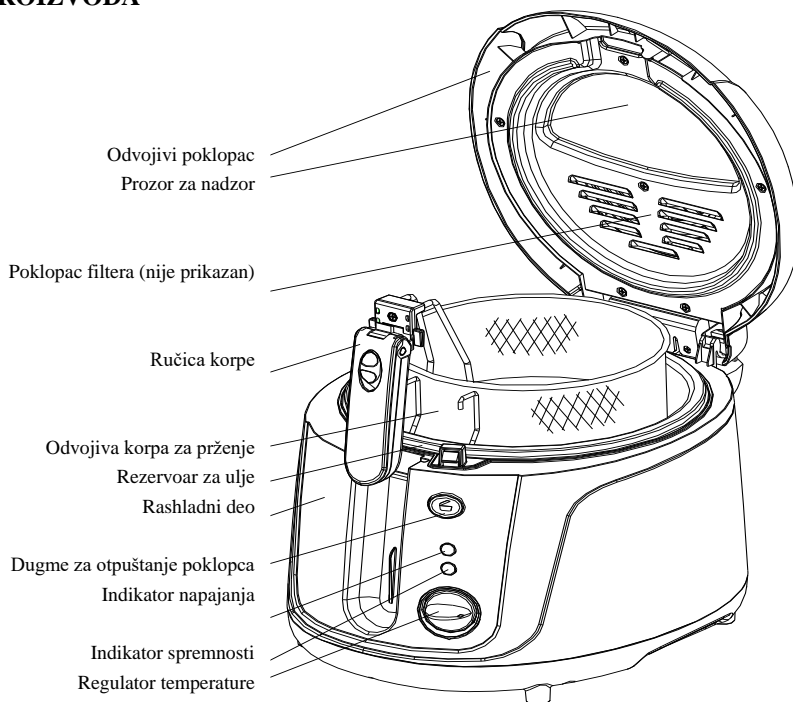
Prilikom korišćenja električnih uređaja, neophodno je ispratiti osnovne mere bezbednosti, uključujući i sledeće:

1. Pročitajte sva uputstva.
2. Ne dodirujte vrelu površinu. Koristite drške i rukohvate.
3. Da bi se zaštitili od strujnog udara, ne potapajte kabl, utikače ili kućište u vodu ili drugu tečnost.
4. Neophodan je budan nadzor kada uređaj koriste deca ili se koristi u blizini dece.
5. Kada se ne koristi i pre čišćenja, izvucite kabl iz napajanja. Pre bilo kakvog skidanja ili montiranja delova, i pre čišćenja, morate pustiti uređaj da se ohladi.
6. Ne stavljajte uređaj na meku radnu površinu ili sto pokriven stolnjakom, vodite računa da uređaj koristite na tvrdj radnoj površini.
7. Nije dozvoljeno korišćenje uređaja ukoliko je došlo do oštećenja kabla ili utikača ili poremećaja u radu uređaja, ili je na bilo koji način uređaj oštećen. Odnosite uređaj u najbliži servis na pregled, popravku ili podešavanje.
8. Upotreba dodataka koje nije preporučio proizvođač može prouzrokovati povrede.
9. Kabl za napajanje ne sme se ostaviti da visi preko ivice stola ili radne površine, ili da dodiruje vruće površine.
10. Nemojte koristiti ovaj uređaj kada mu nedostaje rezervoar za ulje, ulje ili bilo koji drugi materijal, ili kada nema dovoljno ulja.
11. Ne stavljajte uređaj na ili blizu zagrejane gasne ili električne peći ili u zagrejanu remu.
12. Neophodan je maksimalan oprez kada se pomera friteza koja sadrži vrelo ulje.
13. Nikada ne povežite fritezu sa izvorom električnog napajanja, a da prethodno ne stavite ulje u rezervoar sa uljem.
14. Ulje u rezervoaru sa uljem je još uvek vrelo kada se uređaj isključi. Nikada ne pokušavajte da pomerite fritezu dok se potpuno ne ohladi, podignite rezervoar za ulje koristeći drške.
15. Nikada ne prepunjujte fritezu uljem. Napunite samo između maksimalnog i minimalnog nivoa kao što je navedeno unutar rezervoara sa uljem.
16. Nemojte dodavati hranu sa kristalima leda ili hranu koja je vlažna u vrelo ulje.
17. Ovaj uređaj nije namenjen upotrebi od strane osoba (uključujući decu) sa smanjenim fizičkim, senzornim ili mentalnim sposobnostima, kao ni od strane osoba sa nedovoljnim iskustvom i znanjem,

osim ako im nije dodeljen nadzor ili instrukcije koje se tiču upotrebe uređaja od strane osobe odgovorne za njihovu bezbednost.

18. Deca moraju biti pod nadzorom da se ne bi igrala sa uređajem.
19. Uređaj nije namenjen za upotrebu preko daljinskog tajmera ili odvojenog sistema daljinskog upravljanja.
20. Nakon završetka prženja, uvek podignite korpu i sačekajte nekoliko sekundi da se smanji pritisak pare.
21. Ne koristite uređaj za bilo koju vrstu upotrebe osim one za koju je namenjen.
22. Ne koristite uređaj napolju.
23. Čuvajte uređaj unutra da bi sprečili kvar električnih delova.
24. **UPOZORENJE:** Ozbiljne opekotine od ulja mogu nastati kada se friteza povuče sa radne površine. Vodite računa da kabl za napajanje ne visi preko ivice radne površine gde ga mogu dohvatiti deca ili gde se može upetljati sa korisnikom.

OPIS PROIZVODA



Karakteristike

INDIKATOR NAPAJANJA

Lampica svetli kada je friteza uključena.

INDIKATOR SPREMNOSTI

Ova lampica se uključuje i isključuje nekoliko puta tokom zagrevanja. Isključuje se kada se dostigne željena temperatura.

REGULATOR ZA IZBOR TEMPERATURE

Okrenite regulator temperature da odaberete temperaturu do 190°C. Temperatura se može prilagoditi u bilo kom trenutku.

POKLOPAC SA PROZOROM ZA NADZOR

Poklopac vaše friteze nalazi se na opružnoj šarci i jednostavno se „otvara“ jednim dodirom dugmeta. Pazite na hranu dok se kuva gledajući kroz prikladan prozor za nadzor.

ŽIČANA KORPA ZA PRŽENJE

Uklonjiva žičana korpa za prženje sa hladnom dodirnom ručkom omogućava bezbedno dodavanje i uklanjanje hrane.

Pre upotrebe

Očistite pre prve upotrebe

1. Uklonite celokupno pakovanje i sve etikete i nalepnice. Pročitajte sva uputstva.
2. Korpa za prženje i drška nalaze se u uređaju. Pritisnite dugme za oslobađanje poklopca. Podignite dršku i uklonite korpu.

3. Nagnite poklopac napred i povucite da ga izvučete. (SI.1)
4. Operite dršku korpe, poklopac, korpu za prženje u vrućoj vodi sa sapunicom i dobro obrišite dok nije potpuno suvo. Možete oprati odvojivi poklopac, dršku i korpu u mašini za pranje sudova na gornjem stalku.
5. Operite fritezu unutra i spolja sa jednom kapi sapuna na vlažnoj krpi. Dobro isperite tkaninom ili papirnim ubrusom pre dodavanja ulja.

UPOZORENJE: NIKAKO NE STAVLJAJTE fritezu u mašinu za pranje sudova.

UPOZORENJE: Svi delovi friteze moraju biti potpuno suvi pre nego što napunite rezervoar uljem i koristite je.

UPOZORENJE: Obratite posebnu pažnju da odvojivi poklopac filtera i poklopac friteze budu suvi; u suprotnom, dolazi do opasnosti da para bude zarobljena unutar friteze pre upotrebe.

SKLAPANJE I PUNJENJE REZERVOARA SA ULJEM

UPOZORENJE: Nikada ne uključujte fritezu u električnu utičnicu kada je rezervoar za ulje prazan.

1. Podignite dršku i uklonite korpu.(SI.2)
2. Sipajte ulje za kuvanje u rezervoar za ulje dok nivo ulja nije između "MIN" i "MAX" crtica unutar rezervoara za ulje. Za najbolje rezultate neka ulje bude blizu "MAX" crtice. **NE PRELAZITE** "MAX" nivo. (SI.3)

NAPOMENA: Koristite mešano biljno ulje, čisto kukuruzno ulje ili ulje kanole (uljane repice).

NEMOJTE koristiti maslinovo ulje, margarin, mast ili sok od pečenja.

KORIŠĆENJE ČVRSTE MASNOĆE

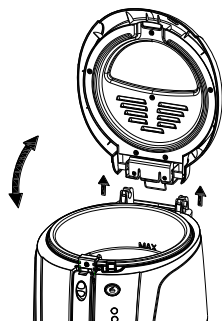
UPOZORENJE: NE PREPORUČUJE SE stavljanje čvrste masnoće u rezervoar sa uljem ili u korpu za prženje.

Ako koristite čvrstu biljnu masnoću, prvo je otopite u posebnoj šerpi ili tiganju, a onda vrlo pažljivo sipajte otoplenu masnoću u rezervoar sa uljem.

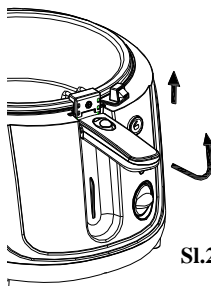
NAPOMENA: Prethodno korišćenu čvrstu biljnu masnoću, koja se zgrušala i stvrdnula u rezervoaru za ulje, treba ukloniti iz rezervoara za ulje i otopiti u odvojenom tiganju ili šerpi pre ponovne upotrebe.

OPREZ: Ako pokušate da rastopite stvrdnutu masnoću u rezervoaru za ulje, postoji opasnost da naglo rastopljena masnoća prsne odozdo kroz čvrsti gornji sloj masti. Koristite samo sledeću proceduru.

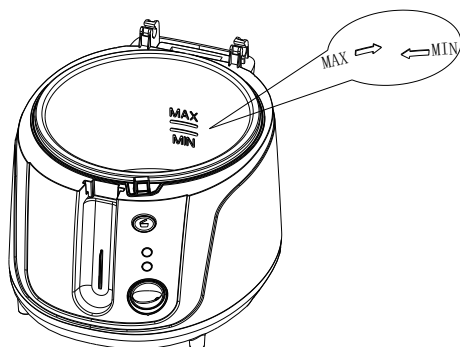
- Proverite da li je mast zagrejana na sobnoj temperaturi. Ako je mast veoma hladna, veći je rizik od prskanja.
 - Viljuškom pažljivo napravite par rupa u masti.
 - Proverite da je poklopac uvek čvrsto zatvoren.
 - Lagano zagrevajte mast na najnižoj temperaturi.
3. Ubacite korpu i spustite ručku pomeranjem dugmeta unapred. Zatvorite poklopac. (SI.4)



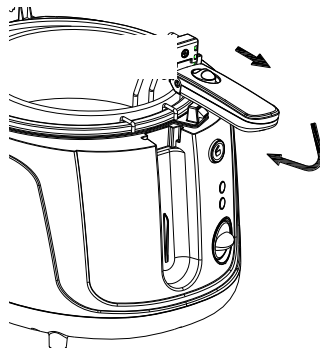
SI.1



SI.2



SI.3



SI.4

Korišćenje friteze

PRETHODNO ZAGREVANJE

OPREZ: NE OSTAVLJAJTE bez nadzora dok je u funkciji.

VAŽNO: Uvek koristite fritezu na ravnoj površini otpornoj na toplotu.

1. Zatvorite poklopac
2. Uverite se da su vam ruke suve i priključite uređaj u električnu utičnicu.
3. Podesite regulator temperature na željenu temperaturu. Indikator spremnosti će se uključiti.

NAPUNITE KORPU ZA PRŽENJE

UPOZORENJE: Uvek koristite korpu za prženje hrane.

UPOZORENJE: Uvek pažljivo uklonite i zamenite korpu za prženje.

1. Pritisnite dugme za oslobađanje poklopca da bi otvorili poklopac.
2. **NE PUNITE** korpu za prženje kada je uronjena u ulje. Uvek držite korpu za hladnu dodirnu ručku.
3. Pažljivo stavite hranu u korpu za prženje. **NE PREPUNJUJTE.** Za optimalne rezultate i kraće vreme prženja, korpa treba da je napola puna.

NAPOMENA: Da bi se ravnomerno ispržila, komadi hrane moraju biti iste veličine i debljine. Za deblje komade treba više vremena.

VAŽNO: Uverite se da je hrana koja se peče suva. Prevucite papirnim ubrusom ili čistom kuhinjskom krpom preko hrane ako je potrebno.

OPREZ: Prilikom prženja smrznute hrane obavezno očistite led iz hrane pre nego što ga stavite u korpu. Ako to ne učinite, može doći do preliivanja friteze kada se hrana stavi u ulje.

UPOZORENJE: Uklonite korpu za prženje iz friteze prilikom punjenja jer će ulje prskati na sve strane i može izazvati opekotine. Za zamrznutu hranu, preporučuje se da hrana ne popuni više od 1/4 kapaciteta korpe.

PRŽENJE HRANE

OPREZ: Ulje je vrelo i može izazvati ozbiljne povrede.

1. Polako i pažljivo spustite korpu u zagrejano ulje. Prebrzo spuštanje korpe može dovesti do preliivanja i prskanja ulja. **NEMOJTE** naglo ispustiti korpu u ulje za kuvanje.
2. Zatvorite poklopac pre prženja.

NAPOMENA: Normalno je da para izlazi sa strane friteze tokom prženja.

UPOZORENJE: Izbegavajte da stojite blizu friteze dok je u funkciji.

3. Koristite prozor za nadzor hrane. Kada je hrana gotova, odmaknite se od uređaja pre otvaranja poklopca kako bi se omogućilo da vruća para izađe.

4. Podignite korpu iz ulja i zakačite je na ivicu rezervoara za ulje da biste omogućili da se hrana ocedi na minut.
5. Uklonite hranu iz korpe bilo hvataljkama ili prebacivanjem hrane u posudu za serviranje ili na tanjir prekriven papirnim ubrusima.
6. Ponovite postupak za preostalu hranu.
7. Kada završite sa upotrebom friteze, okrenite regulator za temperaturu suprotno od smjera kazaljke na satu da biste isključili uređaj.
8. Isključite fritezu iz zidne utičnice i omogućite hlađenje od oko 2 sata pre nego što pokušate da uklonite ulje ili očistite fritezu.

UPOZORENJE: Nikada ne koristite kabl za napajanje da biste isključili fritezu.

UPOZORENJE: Nikada ne koristite fritezu za kuvanje vode.

SKLADIŠTENJE ILI PONOVA UPOTREBA ULJA ZA KUVANJE

NAPOMENA: Ulje ne mora da se menja nakon svake upotrebe i može se koristiti dok ne potamni, dok nema ostataka hrane u njemu kao što su testo ili mrvice.

NAPOMENA: Ne preporučuje se skladištenje ili ponovna upotreba ulja koje se koristi za prženje hrane koja sadrži dosta proteina, kao što je živinsko meso, meso ili riba. Kada se ulje koristi uglavnom za prženje krompira i filtrira se nakon svake upotrebe, može se koristiti 8 do 10 puta, ali **NE KORISTITE** isto ulje duže od 6 meseci.

VAŽNO: Uvek zamenite ulje čim počne da se stvara pena ili kada mu boja potamni, kada je užeglog ukusa ili mirisa, ili kada postane sirupasto.

1. Vodite računa da friteza bude isključena, utikač izvučen iz utičnice i da se ohladila približno 4 sata pre nego što pokušate da uskladištite ulje.
2. Uklonite poklopac i korpu za prženje.
3. Koristeći levak, sipajte ulje iz zadnjeg ugla rezervoara kroz papirni filter ili žičanu cediljku u posudu za skladištenje.

VAŽNO: Rezervoar za ulje se ne uklanja iz friteze.

4. Da bi ponovo koristili ovo ulje, samo ga sipajte nazad u rezervoar za ulje.

VAŽNO: NE MEŠAJTE različita ulja ili novo i staro ulje.

PREDLOŽENI VODIČ I SAVETI ZA PRŽENJE

FOOD	COOKING TIME	TEMP.
HRANA	VREME KUVANJA	TEMP.
POMFRIT	6-9min	190 ⁰ C
RIBLJI ŠTAPIĆI	3-6min	170 ⁰ C
PILEĆI PRSTI	6-9min	190 ⁰ C
KOMADI PILETINE	12-20min	150 ⁰ C
PRŽENE TIKVICE	3-6min	130 ⁰ C
PRŽENE PEČURKE	4-6min	130 ⁰ C
KOLUTOVI CRNOG LUKA	3-6min	130 ⁰ C
KROFNE	3-6min	130 ⁰ C
PEČENE JABUKE	3-6min	130 ⁰ C
ŠKAMPI	3-6min	130 ⁰ C

PREDLOŽEN VODIČ PRŽENJA

NAPOMENA: Navedena vremena spremanja hrane odnose se samo na približno vreme potrebno da se isprži jedna napola puna korpa. Tačno vreme može se razlikovati zavisno od konkretne količine, ličnih preferenci pripremanja hrane, veličine i debljine komada, itd. Generalno, koristite niža podešavanja za delikatnu hranu (povrće, riba) i viša podešavanja za smrznutu hranu, pomfrit i piletinu.

SAVETI ZA PRŽENJE

Za najbolje rezultate pripreme hrane, pratite ove korisne savete:

- Da bi izbegli pojavu kondenzacije na prozoru za nadzor, utrljajte malo ulja za kuvanje na prozor.
- **NE MEŠAJTE** različita ulja ili novo i staro ulje.
- Redovno menjajte ulje. Uopšteno govoreći, ulje koje se koristi za prženje hrane sa proteinima, kao što su živina, meso i riba, ne bi trebalo ponovo koristiti, a ako se ulje uglavnom koristi za prženje krompira i filtrira se nakon svake upotrebe, može se koristiti 8 do 10 puta ali **NEMOJTE** koristiti isto ulje duže od 6 meseci.
- Uvek zamenite kompletno ulje kada počne da se peni prilikom zagrevanja, kada mu boja potamni, užeglog je mirisa ili ukusa, ili postane sirupasto.
- Uverite se da je hrana koja se peče suva. Prevucite papirnim ubrusom ili čistom kuhinjskom krpom preko hrane ako je potrebno.
- Da bi se ravnomerno ispržili, komadi hrane moraju biti iste veličine i debljine. Za deblje komade treba više vremena.

Čišćenje i čuvanje friteze

UPUTSTVA ZA ČIŠĆENJE

1. Vodite računa da friteza bude isključena, utikač izvučen iz utičnice i da se ohladila približno 4 sata.
2. Uklonite poklopac i korpu za prženje i operite u toploj vodi sa sapunicom. Dobro obrišite. Odvojivi poklopac i korpa mogu se prati u mašini za pranje sudova na najvišem stalku.
3. Operite fritezu unutra (ako se ulje čuva u posebnoj posudi) i spolja kapljicom sapuna na vlažnoj krpi.
4. Uklonite sapun samo vlažnom krpom.
5. Dobro osušite suvom krpom ili papirnim ubrusom.

UPOZORENJE: NE POTAPAJTE fritezu u vodu. Ne stavljajte fritezu u mašinu za sudove.

UPOZORENJE: NEMOJTE koristiti alkohol ili sredstva za čišćenje da očistite fritezu.

KAKO JE BEZBEDNO ODLOŽITI

1. Vodite računa da friteza bude isključena, utikač izvučen iz utičnice, da je ohlađena i čista.
2. Čuvajte korpu u fritezi i zatvorite poklopac.
3. Čuvajte fritezu na ravnoj, suvoj površini okrenutu i neće biti opasna niti povrediti nekoga ili oštetiti nešto.

Vodič za rešavanje problema

Rešavanje problema

Ako vaša friteza ne radi:

1. Vidite da li je utikač čvrsto uključen u električnu utičnicu.
2. Proverite da li električna utičnica radi, isključite uređaj, proverite kutiju osigurača ili kutiju sigurnosnih prekidača i zamenite osigurač ili resetujte prekidač prema potrebi, a zatim priključite ponovo jedinicu.
3. Ako se problem ne reši, kontaktirajte Korisnički servis.

EKOLOŠKO ODLAGANJE



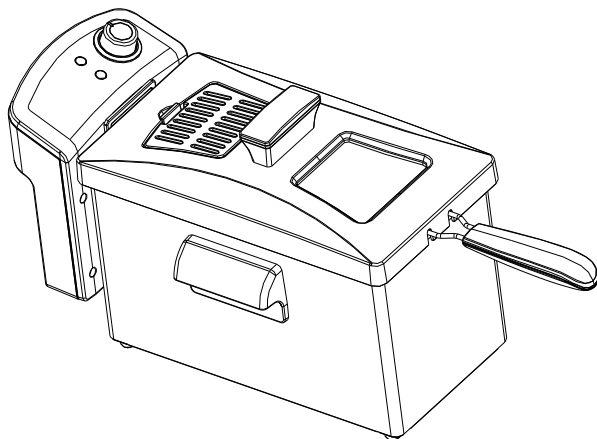
Dajte svoj doprinos očuvanju životne sredine!
Poštujte lokalne propise: odnesite električne uređaje koji se više ne koriste u odgovarajući centar za prihvat elektronskog otpada.



VOX
ELECTRONICS

ESP

MANUAL DE INSTRUCCIONES
FT- 5318



Por favor, lea este folleto detenidamente antes de usarlo y guárdelo para futuras referencias.

SALVAGUARDIAS IMPORTANTES

Al usar aparatos eléctricos, siempre se deben seguir las precauciones básicas de seguridad, incluidas las siguientes:

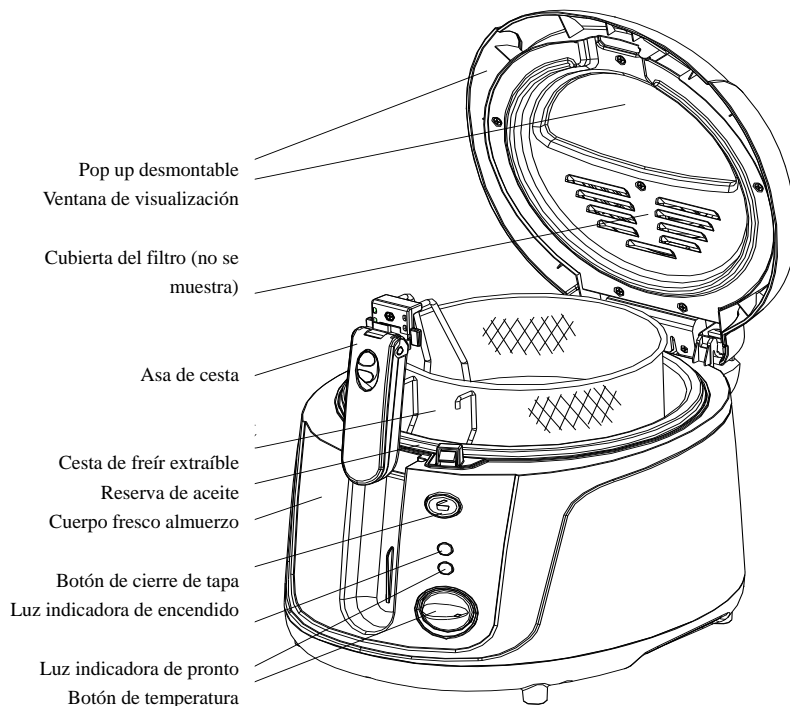
1. Lea todas las instrucciones.
2. No toque la superficie caliente. Utilice asas o pomos.
3. Para protegerse contra descargas eléctricas, no sumerja el cable, los enchufes o la carcasa en agua u otro líquido.
4. Es necesaria una estrecha supervisión cuando se utiliza cualquier aparato por o cerca de los niños.
5. Desenchúfelo del toma de corriente cuando no esté en uso y antes de limpiarlo. Permita que se enfríe antes de poner o quitar partes, y antes de limpiar el aparato.
6. No coloque el aparato sobre una superficie de trabajo blanda ni sobre un escritorio cubierto con mantel, asegúrese de que el aparato esté funcionando sobre una superficie rígida.
7. No opere ningún aparato con un cable o enchufe dañado o después de que el aparato no haya funcionado correctamente o se haya dañado de alguna manera. Devuelva el aparato al centro de servicio autorizado más cercano para que lo examinen, reparen o ajusten.
8. El uso de accesorios no recomendados por el fabricante del aparato puede causar lesiones.
9. No deje que el cable cuelgue del borde de la mesa o mostrador, ni que toque superficies calientes.
10. No use este aparato cuando falte el depósito de aceite, el aceite y otros materiales, o el nivel del aceite no es suficiente.
11. No lo coloque sobre o cerca de gas o de un quemador eléctrico caliente, o sobre un horno caliente.
12. Se debe tener mucho cuidado al mover la freidora que contiene aceite caliente.
13. Nunca conecte la freidora al suministro de electricidad sin antes colocar aceite en el depósito de aceite.
14. El aceite en el depósito de aceite estará aún caliente después de que se apague. Nunca intente mover la freidora hasta que se haya enfriado completamente, levante el depósito de aceite con las asas.

15. Nunca llene en exceso la freidora con aceite. Rellene solo entre niveles mínimo y máximo, como se indica dentro del depósito de aceite.
16. No agregue alimentos con cristales de hielo o si está húmedo al aceite caliente.
17. Este dispositivo no está destinado a ser utilizado por personas (incluidos niños) con capacidades físicas, sensoriales o mentales reducidas, o por falta de experiencia y conocimiento, a menos que hayan recibido supervisión o instrucciones sobre el uso de los dispositivos por parte de una persona responsable de su uso.
18. Los niños deben ser supervisados para asegurarse de que no jueguen con el aparato.
19. El aparato no está diseñado para ser operado por medio de un temporizador externo o un sistema de control remoto separado.
20. Al terminar de freír, siempre levante la canasta y espere unos segundos para permitir que la presión del vapor disminuya.
21. No use el aparato para otro uso que no sea el indicado.
22. No usar al aire libre.
23. Almacene el aparato en interiores para evitar fallas en los componentes electrónicos.
24. **ADVERTENCIA:** Se pueden producir quemaduras graves de aceite caliente si se extrae una freidora de una encimera. No permita que el cable de alimentación cuelgue del borde de un mostrador donde los niños puedan agarrarlo o enredarlo con el usuario.

GUARDE ESTAS INSTRUCCIONES

SÓLO PARA USO DOMÉSTICO

DESCRIPCIÓN DEL PRODUCTO



Características

LUZ INDICADORA DE ENCENDIDO

Esta luz se ilumina cuando la freidora está encendida.

INDICADOR DE LUZ DE PRONTO

Esta luz se encenderá y apagará varias veces durante el calentamiento. Se apagará una vez que se alcance la temperatura.

AJUSTE DE TEMPERATURA

Gire el selector de temperatura para seleccionar una temperatura de hasta 190 ° C. La temperatura se puede ajustar en cualquier momento.

TAPA POP-UP CON VENTANA DE VISUALIZACIÓN

La tapa de su freidora está en una bisagra con resorte y convenientemente se "abre" con solo tocar un botón. Mantenga un ojo en su comida mientras se cocina mirando a través de la ventana de visualización conveniente. La tapa también es desmontable y puede lavarse en el lavavajillas.

Cesta de freír de alambre

La cesta para freír de alambre extraíble con mango fresco al tacto hace que sea fácil y seguro agregar y quitar alimentos.

Antes de usar

Limpiar antes del primer uso

1. Retire todo el material de embalaje y cualquier etiqueta. Por favor, lea todas las instrucciones.
2. Quitar la cesta de freír y el mango dentro del aparato: presione el botón de liberación de la tapa para abrir la tapa emergente. Levante el asa y retire la cesta.
3. Incline la tapa hacia adelante y tire hacia arriba para retirarla. (Figura 1)
4. Lave el asa de la cesta, la tapa, la cesta de freír en agua caliente y jabonosa, y séquelos bien. Puede lavar la tapa desmontable, la canasta y la manija en el lavaplatos en la rejilla superior.
5. Lave el interior y el exterior de la freidora con una gota de jabón sobre un paño húmedo. Enjuague con un paño bien con un paño seco o una toalla de papel antes de agregar el aceite.

ADVERTENCIA: NO ponga la freidora en el lavaplatos.

ADVERTENCIA: Todos los componentes deben estar completamente secos antes de llenar el depósito con aceite y usar.

ADVERTENCIA: se debe tener especial cuidado para garantizar que la tapa del filtro y la tapa desmontables estén secas; de lo contrario, el vapor puede quedar atrapado peligrosamente dentro de la freidora durante el uso.

MONTAJE Y LLENADO DEL RESERVORIO DE ACEITE

ADVERTENCIA: Nunca enchufe la freidora a la toma eléctrica mientras el depósito de aceite esté vacío.

1. Levante el asa y retire la cesta. **(Fig.2)**
2. Vierta el aceite de cocina en el depósito hasta que el nivel de aceite se encuentre entre las líneas "MIN" Y "MAX" en el interior del depósito de aceite. Para obtener los mejores resultados, mantenga el aceite cerca del nivel "MAX". NO exceda el nivel "MAX". **(Fig. 3)**

NOTA: Use aceite vegetal mezclado, aceite de maíz puro o aceite de canola (colza). NO utilice aceite de oliva, margarina, manteca de cerdo o goteos.

USO DE GRASA SOLIDA

ADVERTENCIA: NO SE RECOMIENDA colocar manteca sólida en el depósito de aceite o en la cesta para freír.

Si usa manteca vegetal sólida, derrítala primero en una sartén separada y vierta la grasa derretida en el depósito de aceite con mucho cuidado.

NOTA: Elimine lo previamente utilizado. Antes de volver a usar, acorte o endurezca la manteca vegetal sólida del depósito de aceite y derrita en un recipiente aparte.

PRECAUCIÓN: el intento de derretir la grasa solidificada en el depósito de aceite presenta el riesgo de que la grasa fundida caliente salpique repentinamente desde abajo a través de la capa superior de grasa aún sólida. Utilice únicamente el siguiente procedimiento.

- Asegúrese de que la grasa esté a temperatura ambiente. Si la grasa está muy fría, existe un mayor riesgo de salpicaduras.
 - Con mucho cuidado hace unos agujeros en la grasa con un tenedor.
 - Asegúrese de que la tapa esté bien cerrada.
 - Calente la grasa lentamente en la temperatura más baja.
3. Inserte la cesta y baje la manija deslizando el botón hacia adelante. Cierre la tapa **(Fig.4)**

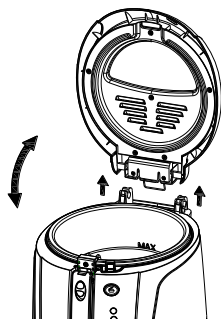


Fig.1

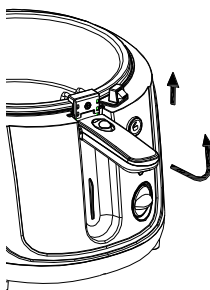


Fig.2

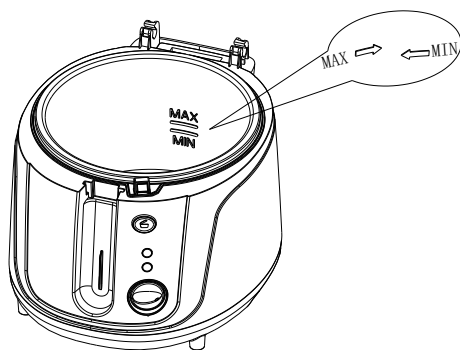


Fig.3

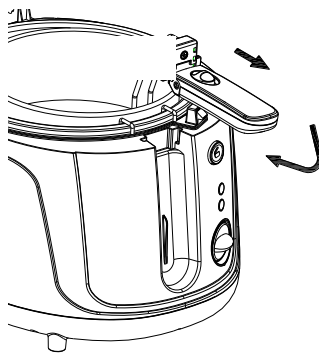


Fig.4

Usar la freidora

PRECALENTAR

PRECAUCIÓN: NO deje la freidora desatendida mientras esté en funcionamiento.

IMPORTANTE: siempre use la freidora en una superficie plana y resistente al calor

1. Cierre la tapa.
2. Asegúrese de que sus manos estén secas y enchufe la unidad a la toma eléctrica.
3. Ajuste el botón de temperatura a la temperatura deseada. La luz indicadora de pronto se encenderá.

LLENE LA CESTA DE FREIDORA.

ADVERTENCIA: Utilice siempre la cesta para freír para freír los alimentos.

ADVERTENCIA: siempre retire y reemplace la cesta de freír con cuidado.

1. Presione el botón de liberación de la tapa para abrir la tapa.
2. **NO** llene la cesta de freír cuando esté sumergida en aceite. Sujete siempre la cesta por el asa fría.
3. Coloque los alimentos con cuidado en la cesta de freír. **NO** llene demasiado. Para obtener resultados óptimos y un tiempo de fritura más corto, la canasta debe estar llena hasta la mitad.

NOTA: Para cocinar uniformemente, los trozos de comida deben ser del mismo tamaño y grosor. Las

piezas más gruesas tardarán más en cocinarse.

IMPORTANTE: Asegúrese de que los alimentos a freír estén secos. Frote la comida con una toalla de papel o una toalla limpia si es necesario.

PRECAUCIÓN: Al freír alimentos congelados, asegúrese de limpiar el hielo de los alimentos antes de colocarlos en la canasta. De lo contrario, la freidora puede desbordarse cuando los alimentos se colocan en aceite.

ADVERTENCIA: retire la cesta de freír de la freidora cuando la llene, ya que el aceite salpicará y causará quemaduras. Para los alimentos congelados, se recomienda que los alimentos no llenen más de 1/4 de la capacidad de la canasta.

PRECAUCIÓN: El aceite está muy caliente y puede causar lesiones graves.

FREIR LA COMIDA

PRECAUCIÓN: El aceite está muy caliente y puede causar lesiones graves.

1. Baje la cesta en el aceite caliente lentamente y con cuidado. Bajar la canasta demasiado rápido puede hacer que el aceite se desborde y salpique. **NO** deje caer la cesta en el aceite de cocina.
2. Cierre la tapa a freír.

NOTA: Es normal que el vapor escape a través de los lados de la tapa mientras se fría.

ADVERTENCIA: Evite de estar demasiado cerca de la freidora mientras está cocinando.

3. Utilice la ventana de visualización para controlar la comida. Cuando la comida esté pronta, aléjese de la unidad antes de abrir la tapa para permitir que escape el vapor caliente.
4. Levante la canasta del aceite y colóquela en el borde del depósito de aceite para permitir que la comida se drene por un minuto.
5. Retire los alimentos de la cesta con pinzas o vertiendo los alimentos en un recipiente para servir o en un plato cubierto con toallas de papel.
6. Repita el procedimiento para la comida restante.
7. Cuando haya terminado de usar su freidora, gire el control de temperatura en sentido contrario a las agujas del reloj hasta el final para apagar la unidad.
8. Desenchufe la freidora de la toma de corriente de la pared y deje que se enfríe durante aproximadamente 2 horas antes de intentar extraer el aceite o limpiar la freidora.

ADVERTENCIA: Nunca use el cable de alimentación para apagar la freidora.

ADVERTENCIA: Nunca use su freidora para hervir agua.

ALMACENAR O REUTILIZAR ACEITE DE COCCIÓN

NOTA: el aceite no se debe cambiar después de cada uso y se puede usar hasta que oscurezca o contenga trozos de comida, como la masa o las migas de pan.

NOTA: No se recomienda almacenar o reutilizar el aceite que se utilizó para freír alimentos con proteínas, como aves, carne y pescado. Cuando se usa aceite principalmente para freír papas y se filtra después de cada uso, se puede usar de 8 a 10 veces, pero **NO** use el mismo aceite durante más de 6 meses.

IMPORTANTE: Siempre reemplace el aceite tan pronto como empiece a formar espuma cuando se caliente o cuando el color se vuelva oscuro, cuando tenga un olor o sabor rancio, o se convierta en jarabe.

1. Asegúrese de que la freidora esté apagada, desenchufada y se haya enfriado durante aproximadamente 4 horas antes de intentar almacenar aceite.

2. Retire la tapa emergente y la cesta de freír.
3. Vierta el aceite de la esquina con un embudo, posterior del depósito a través de un filtro de papel o un colador de alambre en un recipiente de almacenamiento.

IMPORTANTE: el depósito de aceite no se puede quitar de la freidora.

4. Para reutilizar este aceite, vierta de nuevo en el depósito de aceite.

IMPORTANTE: NO mezcle aceites diferentes o aceites nuevos y viejos juntos.

Sugerencias y consejos para freír

COMIDA	TIEMPO DE COCINAR	TEMPERATURA
Papas fritas	6-9 minutos	190°C
Filetes de pescado	3-6 minutos	170°C
Dedos de pollo	6-9 minutos	190°C
Pedazos de pollo	12-20 minutos	150°C
Calabacín frito	3 minutos	130°C
Champiñones fritos	4-6 minutos	130°C
Anillos de cebolla	3-6 minutos	130°C
Rosquillas	3-6 minutos	130°C
Beignets de manzana	3-6 minutos	130°C
Camarones	3-6 minutos	130°C

GUIA DE FRITURA SUGERIDA

NOTA: Los tiempos y temperaturas de cocción anteriores solamente reflejan el tiempo aproximado necesario para freír una canasta hasta la mitad. Los tiempos exactos pueden ser diferentes dependiendo de la cantidad real, preferencias personales de cocina; el tamaño y grosor de las piezas, etc. en general, utilice ajustes más bajos para alimentos delicados (verduras, pescado) y ajustes más altos para alimentos congelados, papas fritas y pollo.

CONSEJOS PARA FREÍR

Para obtener los mejores resultados de cocción, tome nota de estos consejos útiles:

↙ Para evitar la acumulación de condensación en la ventana de visualización, frote un poco de aceite de cocina en la ventana.

↙ **NO** mezcle aceites diferentes o aceites nuevos y viejos juntos.

✓ Siempre reemplace el aceite regularmente, en general, el aceite usado para freír alimentos con proteínas, como las aves, la carne y el pescado, no debe reutilizarse, cuando el aceite se usa principalmente para freír papas y se filtra después de cada uso, se puede usar 8 a 10 veces, pero NO use el mismo aceite durante más de 6 meses.

✓ Asegúrese de que la comida que se va a freír esté seca, frótela con una toalla de papel o una toalla limpia si es necesario.

✓ Al freír alimentos congelados, deben ser del mismo tamaño y grosor, las piezas más gruesas tardarán más en cocinarse.

Limpieza y almacenamiento de su freidora.

INSTRUCCION DE LIMPIEZA

1. Asegúrese de que la freidora esté apagada, desenchufada y se haya enfriado durante aproximadamente 4 horas.
2. Retire la tapa y la cesta de freír con agua caliente y jabón y sequela bien. La tapa y la cesta desmontables se pueden lavar en el lavaplatos en la rejilla superior.
3. Lave el interior (si se está almacenando aceite en un recipiente separado) y fuera de la freidora con una gota de jabón sobre un paño húmedo.
4. Enjuague con un paño humedecido solo con agua.
5. Sequela bien con una toalla seca o de papel.

ADVERTENCIA: NO sumerja la freidora en agua. No ponga la freidora en el lavaplatos.

ADVERTENCIA: NO use alcohol ni otros soluciones químicas de limpieza para limpiar la freidora.

COMO CONSERVAR CON SEGURIDAD

1. Asegúrese de que su freidora esté apagada, desenchufada, enfriada y limpia.
2. Guarde la cesta dentro de la freidora y cierre la tapa.
3. Almacene su freidora en una superficie plana en un lugar seco y fresco que no se dañe o que sea peligroso para cualquier persona o cosa.

Guía para resolver problemas

Solución de problemas

Si su freidora no funciona, siga estas instrucciones:

1. Asegúrese de que el enchufe esté bien enchufado en la toma eléctrica.
2. Asegúrese de que la toma eléctrica funcione, desenchufe la unidad, revise la caja de fusibles o la caja de interruptores y reemplace el fusible o reinicie el interruptor según sea necesario, luego vuelva a enchufar la unidad.
3. Si el problema persiste, comunique el servicio autorizado.

DISPOSICIÓN AMISTOSA EN EL MEDIO AMBIENTE



¡Usted puede ayudar a proteger el medio ambiente!
Recuerde respetar las normativas locales: entregue los equipos eléctricos que no funcionan a un centro de eliminación de residuos adecuado.





VOX
ELECTRONICS

PRT

MANUAL DE INSTRUÇÕES
FT - 5318



Leia este folheto com atenção antes de usar o aparelho e guarde-o para futuras necessidades.

CONSELHOS IMPORTANTES

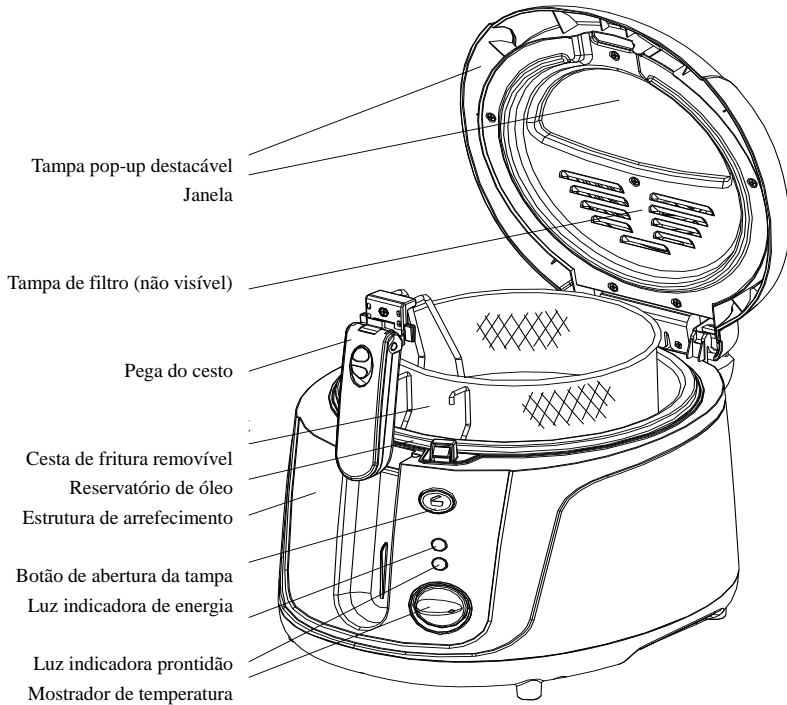
Ao utilizar aparelhos eléctricos, várias precauções básicas de segurança devem ser seguidas, incluindo as seguintes:

1. Leia todas as instruções antes de usar.
2. Não toque na superfície quente. Use luvas ou pegas.
3. Para proteger contra choques eléctricos, não mergulhe o fio, a ficha ou o reservatório em água ou outros líquidos.
4. É necessária uma supervisão atenta sempre que o aparelho é utilizado por crianças ou se encontra perto delas.
5. Desligue da tomada sempre que não usar ou antes de limpar. Deixe o aparelho arrefecer antes de colocar ou retirar peças e antes de limpar.
6. Não coloque o aparelho sobre uma superfície escorregadia ou sobre um pano de mesa, verifique se o aparelho se encontra sobre uma superfície sólida.
7. Não opere o aparelho se apresentar danos no cabo ou na ficha, após o aparelho ter funcionado mal ou ter sido danificado de alguma forma. Entregue o aparelho na assistência técnica autorizada mais próxima para exame, reparo ou ajuste.
8. O uso de acessórios não recomendados pelo fabricante do aparelho pode causar ferimentos.
9. Não deixe o fio pendurado na borda da mesa ou do balcão, nem tocar em superfícies quentes.
10. Não utilize este aparelho sem o reservatório de óleo, sem óleo alimentar ou com quantidade insuficiente de óleo.
11. Não coloque o aparelho sobre (ou próximo) de um aquecedor a gás ou eléctrico bem como fornos aquecidos.
12. Use de extremo cuidado ao mover a fritadeira sempre que contenha óleo quente.
13. Nunca ligue a fritadeira a corrente sem colocar primeiro o óleo no reservatório.
14. O óleo no reservatório permanecerá quente mesmo após ser desligado. Nunca tente mover a fritadeira sem que esteja completamente fria.
15. Nunca encha a fritadeira com óleo. Preencha apenas entre os níveis mínimo e máximo, conforme indicado no interior do reservatório de óleo.
16. Não adicione alimentos com cristais de gelo ou demasiados húmido no óleo quente.
17. Este aparelho não se destina a ser utilizado por pessoas (incluindo crianças) com capacidades físicas, sensoriais ou mentais reduzidas ou falta de experiência e conhecimento a menos que tenham recebido supervisão ou instruções relativas à utilização dos aparelhos por uma pessoa responsável pela sua utilização.
18. As crianças devem ser supervisionadas para garantir que não brincam com o aparelho.
19. Este aparelho não deve ser controlado através de um temporizador externo ou sistema de controle remoto separado.
20. Ao finalizar a fritura levante sempre a cesta e espere alguns segundos para permitir que a pressão do vapor diminua.
21. Não use o aparelho para outro fim que não seja o uso definido pelo fabricante.
22. Não use o aparelho ao ar livre.
23. Guarde o aparelho no interior de sua casa para evitar falhas nos componentes electrónicos.
24. **ADVERTÊNCIA:** Queimaduras graves de óleo quente podem ser causadas ao retirar uma fritadeira de uma bancada. Não permita que o cabo de alimentação fique pendurado na borda de um balcão, onde possa ser agarrado por crianças ou enrolar-se no corpo de quem usa o aparelho.

GUARDE ESTAS INSTRUÇÕES

EXCLUSIVO PARA USO DOMÉSTICO

DESCRIÇÃO DO PRODUTO



Características

LUZ INDICADORA DE ENERGIA

Esta luz acende quando a fritadeira está ligada.

LUZ INDICADORA DE PRONTIDÃO

Esta luz irá ligar e desligar várias vezes durante o aquecimento e desligará quando a temperatura for atingida.

MOSTRADOR DE TEMPERATURA

Gire o botão de temperatura para selecionar uma temperatura até 190C. A temperatura pode ser ajustada a qualquer momento.

TAMPA POP-UP COM JANELA

A tampa da fritadeira está ligada a uma dobradiça activada por mola que abre convenientemente com um simples toque de botão. Acompanhe a cozedura da sua comida através da conveniente janela da tampa. A tampa também é destacável e lavável na máquina.

CESTA DE FRITURA DE ARAME

A cesta de fritura removível possui uma pega que torna fácil e seguro adicionar ou remover alimentos.

Antes de usar

Limpar bem antes de usar pela primeira vez

1. Remova todo o material de embalagem e quaisquer adesivos. Leia todos os manuais.
2. A cesta de fritura e alça estão dentro do aparelho. Pressione o botão de abertura para abrir a tampa. Levante a pega e retire o cesto.
3. Incline a tampa para a frente e puxe para cima para removê-la. **(Figura 1)**
4. Lave a alça da cesta, a tampa e a cesta de fritura em água bem quente. Use água com sabão e limpe bem a seco. Pode lavar a tampa destacável, cesta e alça na máquina de lavar louça na prateleira superior.
5. Lave o interior e o exterior da fritadeira com um pouco de sabão num pano húmido. Enxague completamente com um pano seco ou toalha de papel antes de adicionar óleo.

ATENÇÃO: NÃO coloque a fritadeira na máquina de lavar loiça.

ADVERTÊNCIA: Todos os componentes devem estar completamente secos antes de encher o reservatório com óleo e ligar.

ADVERTÊNCIA: Devem ser tomados cuidados especiais para garantir que a tampa do filtro removível e a tampa estão secas, caso contrário o vapor pode ficar perigosamente preso dentro da fritadeira durante o uso.

MONTAGEM E ENCHIMENTO DO RESERVATÓRIO DE ÓLEO

AVISO: Nunca ligue a fritadeira na tomada elétrica enquanto o reservatório de óleo estiver vazio.

1. Levante a pega e retire o cesto. **(Fig 2)**
2. Deite óleo no reservatório até que o nível de óleo esteja entre as linhas “MIN” e “MAX” no interior do reservatório de óleo. Para melhores resultados, mantenha o óleo perto do nível “MAX”. **NÃO** exceda o nível “MAX”. **(Fig.3)**

NOTA: Use óleo vegetal misturado, óleo de milho puro ou óleo de canola (colza). **NÃO** use azeite, margarina ou banha.

USO DE GORDURA SÓLIDA

ADVERTÊNCIA: NÃO É RECOMENDÁVEL colocar gordura sólida no reservatório de óleo ou na cesta de fritura.

Se usar gordura vegetal sólida, derreta-a primeiro numa panela separada e despeje a gordura derretida no reservatório de óleo com muito cuidado.

NOTA: Remova o óleo usado anteriormente. Óleo coalhado ou endurecido do reservatório e derreta-o numa panela separada antes de reutilizar.

ATENÇÃO: A tentativa de derreter gordura sólida no reservatório de óleo apresenta risco de a gordura derretida quente ser repentinamente pulverizada através da camada superior de gordura ainda sólida. Use apenas o seguinte procedimento.

- Certifique-se de que a gordura esta à temperatura ambiente. Se a gordura estiver muito fria, existe um risco maior de salpicos.
- Cuidadosamente, faça alguns furos na gordura com um garfo.
- Certifique-se de que a tampa esta bem fechada.
- Aqueça a gordura lentamente na temperatura mais baixa.

3. Insira a cesta e baixe a alavanca deslizando o botão para frente. Feche a tampa **(fig.4)**

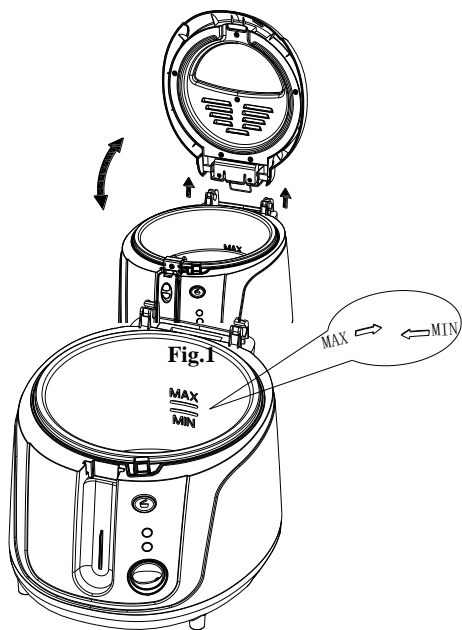


Fig.1

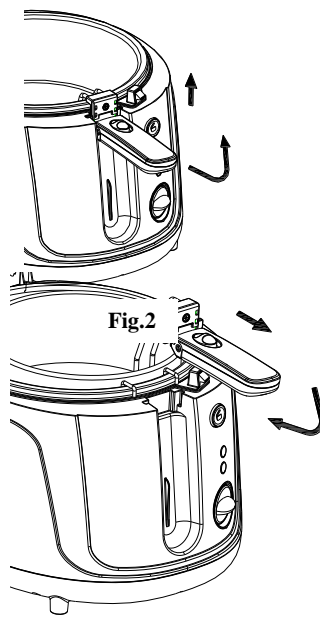


Fig.2

Usar sua fritadeira

PRÉ-AQUECIMENTO

CUIDADO: NÃO deixe a fritadeira sem supervisão enquanto estiver em operação.

IMPORTANTE: Use sempre a fritadeira numa superfície plana e resistente ao calor

1. Feche a tampa.
2. Certifique-se de que suas mãos estão secas e ligue a unidade na tomada elétrica.
3. Ajuste o botão de temperatura para a temperatura desejada. A luz indicadora de prontidão acende-se.

ENCHER A CESTA DA FRIGIDEIRA

ADVERTÊNCIA: Use sempre a cesta da frigideira para fritar os alimentos.

ATENÇÃO: remova e substitua a cesta de fritura com cuidado.

1. Pressione o botão de abertura da tampa para abrir a tampa.
2. **NÃO** encha a frigideira quando estiver imersa em óleo. Segure sempre a cesta pela alça.
3. Coloque cuidadosamente os alimentos na cesta de fritura e sem transbordar. Para melhores resultados e menor tempo de fritura, a cesta deve estar apenas pela metade.

NOTA: Para cozinhar uniformemente, os pedaços de comida devem ter o mesmo tamanho e espessura. Peças mais grossas demoram mais a cozinhar.

IMPORTANTE: Certifique-se de que os alimentos a serem fritos estão secos. Se necessário, seque os alimentos com uma toalha de papel ou um pano apropriado e limpo.

CUIDADO: Ao fritar congelados, derreta e limpe todo o gelo dos alimentos antes de colocá-los na cesta. Se tal não for feito, a fritadeira poderá transbordar quando os alimentos forem colocados no óleo.

AVISO: Retire a frigideira da fritadeira quando estiver a encher pois o óleo irá salpicar e causar queimaduras. Para alimentos congelados, recomenda-se que os alimentos não ocupem mais que 1/4 da capacidade da cesta.

FRITAR ALIMENTOS

CUIDADO: Óleo muito quente pode causar ferimentos graves.

1. Baixe a cesta do óleo aquecido lentamente e com cuidado. Baixar o cesto muito rapidamente pode resultar em transbordo e salpico do óleo. **NÃO** deixe cair o cesto de forma abrupta no óleo.
2. Feche a tampa para fritar.

NOTA: É normal que algum vapor escape pelas laterais da tampa durante a fritura.

AVISO: Evite ficar muito perto da fritadeira enquanto estiver a cozinhar.

3. Use a janela para monitorar a sua comida. Quando a comida estiver pronta, afaste-se da fritadeira antes de abrir a tampa e permitir a saída do vapor quente.
4. Retire a cesta do óleo e prenda-a na borda do reservatório de óleo para permitir que a comida escorra por um minuto.
5. Retire os alimentos do cesto com uma pinça ou colocando-os num recipiente para servir ou num prato coberto com toalhas de papel.
6. Repita o procedimento para a restante comida.
7. Quando terminar de usar a fritadeira, gire o botão de temperatura no sentido anti-horário até o fim para desligá-lo.
8. Desligue a fritadeira da tomada e deixe arrefecer durante aproximadamente 2 horas antes de tentar remover o óleo ou limpar a fritadeira.

AVISO: Nunca use o cabo de alimentação para desligar a fritadeira.

AVISO: Nunca use a fritadeira para ferver água.

CONSERVAÇÃO OU REUTILIZAÇÃO DE ÓLEO DE COZIMENTO

OBSERVAÇÃO: O óleo não tem que ser trocado após cada uso e pode ser reutilizado até que escureça ou apresente pedaços de alimentos.

NOTA: Não é recomendado armazenar ou reutilizar óleo que foi usado para fritar alimentos com proteínas, como aves, carnes e peixes. Quando o óleo é usado principalmente para fritar batatas e é filtrado após cada uso, ele pode ser usado 8 a 10 vezes, mas **NÃO** use o mesmo óleo por mais de 6 meses.

IMPORTANTE: Substitua sempre o óleo assim que este começar a formar espuma ao aquecer ou quando a cor escurecer, apresentar um odor e sabor rançoso ou se tornar xaroposo.

1. Certifique-se de que a fritadeira esta desligada e arrefecida durante aproximadamente 4 horas antes de tentar armazenar o óleo.
2. Remova a tampa e a cesta da fritura.
3. Usando um funil, despeje o óleo do canto traseiro do reservatório através de um filtro de papel ou filtro de arame num recipiente de armazenamento.

IMPORTANTE: O reservatório de óleo não é removível da fritadeira.

4. Para reutilizar este óleo, volte a colocá-lo no reservatório de óleo.

IMPORTANTE: **NÃO** misture óleos de diferentes tipos nem cozinhe com óleo novo e velho juntos.

Sugestão de Frituras - Guia e Dicas

ALIMENTO	TEMPO DE COZEDURA	TEMP.
BATAS FRITAS	6-9min	190°C
FILETES DE PEIXE	3-6min	170°C
TIRAS DE FRANGO	6-9min	190°C
PEDAÇOS DE FRANGO	12-20min	150°C
ZUCCHINI FRITO	3-6min	130°C
COGUMELOS FRITOS	4-6min	130°C
RODELAS DE CEBOLA	3-6min	130°C
DONUTS	3-6min	130°C
BEIGNETS DE MAÇÃ	3-6min	130°C
CAMARÕES	3-6min	130°C

GUIA DE FRITURAS SUGERIDAS

NOTA: Os tempos e temperaturas de cozimento acima refletem apenas o tempo aproximado necessário para fritar uma cesta com metade da sua capacidade. Os tempos exatos podem ser diferentes dependendo da quantidade de alimentos colocada, preferências pessoais de cozimento, tamanho e espessura das peças, etc. Em geral, use configurações mais baixas para alimentos delicados (legumes, peixe) e configurações superiores para alimentos congelados, batatas fritas e frango.

DICAS DE FRITURA

Para melhores resultados, tome nota destas dicas úteis:

- Esfregue um pouco de óleo de cozinha para evitar acumular condensação na janela da fritadeira.
- **NÃO** misture óleos diferentes ou use óleo novo e velho juntos.
- Substitua o óleo regularmente. Em geral, óleo usado para fritar alimentos com proteínas, como frango, carne e peixe, não deve ser reutilizado. Quando o óleo é usado principalmente para fritar batatas e é filtrado após cada uso, ele pode ser usado entre 8 a 10 vezes, mas **NÃO** use o mesmo óleo por mais de 6 meses.
- Substitua o óleo sempre que este comece a formar espuma, ou quando aquecido apresente uma cor escura, um cheiro e sabor rançoso ou se torna xaroposo.
- Certifique-se de que o alimento a ser frito está seco. Se necessário passe uma toalha de papel ou um pano apropriado no alimento.
- Ao fritar alimentos congelados, estes devem ser do mesmo tamanho e espessura. Peças demasiado grossas levarão mais tempo a cozinhar.

Limpar e guardar a sua fritadeira

INSTRUÇÃO DE LIMPEZA

1. Certifique-se de que a fritadeira está desligada, inclusive da ficha durante aproximadamente 4 horas.
2. Remova a tampa e a cesta de fritura, lave em água quente e sabão e seque bem. A tampa e o cesto removíveis podem ser lavados na máquina de lavar loiça na prateleira superior.
3. Lave o interior (coloque o óleo armazenado num recipiente separado) e exterior da fritadeira com

- um pouco de sabão num pano úmido.
4. Enxague com um pano humedecido apenas em água.
 5. Seque bem com uma toalha papel.

ATENÇÃO: NÃO mergulhe a fritadeira em água. Não coloque a fritadeira na máquina de lavar loiça.

AVISO: NÃO utilize álcool ou detergentes agressivos para lavar a fritadeira.

COMO CONSERVAR EM SEGURANÇA

1. Certifique-se de que sua fritadeira esta desligada, inclusive da ficha bem como arrefecida e limpa.
2. Guarde a cesta dentro da fritadeira e feche a tampa.
3. Guarde a fritadeira numa superfície plana e num local fresco e seco, sem danificá-la e sem representar nenhum riscos para pessoas ou outros objectos.

Guia de resolução de problemas

Resolução de problemas

Se a sua fritadeira não funcionar, siga as seguintes instruções:

1. Certifique-se de que a ficha esta bem ligada à tomada elétrica.
2. Certifique-se de que a tomada elétrica esta a funcionar, desligue a unidade, verifique a caixa de fusíveis ou o disjuntor e substitua o fusível ou reconfigure o disjuntor conforme necessário. De seguida, ligue novamente a fritadeira.
3. Se o problema persistir, entre em contato com o Atendimento ao cliente.

ELIMINAÇÃO AMIGA DO AMBIENTE



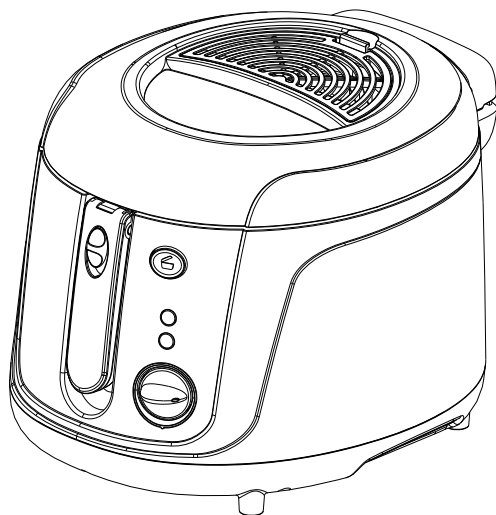
Você pode ajudar a proteger o meio ambiente!
Lembre-se de respeitar as regulamentações locais:
entregue o equipamento elétrico que já não funciona
num centro apropriado de reciclagem de resíduos.



VOX
ELECTRONICS

GRC

ΟΔΗΓΙΕΣ ΧΡΗΣΗΣ
FT - 5318



Διαβάστε προσεκτικά αυτό το εγχειρίδιο πριν τη χρήση του προϊόντος και
κρατήστε το για μελλοντική αναφορά

ΣΗΜΑΝΤΙΚΕΣ ΔΙΑΣΦΑΛΙΣΕΙΣ

Πριν από τη χρήση της ηλεκτρικής συσκευής πρέπει πάντα να ακολουθείτε τις επόμενες βασικές προφυλάξεις, συμπεριλαμβανομένων των εξής:

1. Διαβάστε όλες τις οδηγίες.
 2. Μην αγγίζετε την καυτή επιφάνεια. Χρησιμοποιήστε τις λαβές ή τα κουμπιά.
 3. Για να προστατευτείτε από ηλεκτροπληξία, μην βυθίζετε το καλώδιο, τα βύσματα ή το περιβλημα σε νερό ή άλλο υγρό.
 4. Η στενή παρακολούθηση είναι απαραίτητη όταν οποιαδήποτε συσκευή χρησιμοποιείται από παιδιά ή κοντά σε αυτά.
 5. Αποσυνδέστε την συσκευή από την πρίζα όταν δεν τη χρησιμοποιείτε και πριν από τον καθαρισμό. Αφήστε την να κρύνει πριν την αποθηκεύσετε ή βγάλετε εξαρτήματα και πριν καθαρίσετε τη συσκευή.
 6. Μην τοποθετείτε τη συσκευή σε μαλακή επιφάνεια εργασίας ή επιφάνεια εργασίας που καλύπτεται με τραπεζομάντιλο, βεβαιωθείτε ότι η συσκευή λειτουργεί σε άκαμπτη επιφάνεια.
 7. Μην χρησιμοποιείτε καμία συσκευή με φθαρμένο καλώδιο ή βύσμα ή αφού η συσκευή δυσλειτουργήσει ή έχει υποστεί ζημιά με οποιονδήποτε τρόπο. Επιστρέψτε τη συσκευή στην πλησιέστερη εξουσιοδοτημένη υπηρεσία εξυπηρέτησης για εξέταση, επισκευή ή προσαρμογή.
 8. Η χρήση εξαρτημάτων που δεν συνιστώνται από τον κατασκευαστή της συσκευής μπορεί να προκαλέσει τραυματισμούς.
 9. Μην αφήνετε το καλώδιο να κρεμάει πάνω από μια άκρη ενός τραπέζιού ή μετρητή ή ζεστή επιφάνεια.
 10. Μην χρησιμοποιείτε αυτή τη συσκευή όταν λείπει το δοχείο λαδιού, το λάδι και άλλα υλικά ή το λάδι δεν είναι αρκετό.
 11. Μην τοποθετείτε πάνω ή κοντά σε αέριο ή ηλεκτρικό καυστήρα ή σε θερμαινόμενο φούρνο. Κατά τη μετακίνηση της φριτέζας που περιέχει καυτό λάδι, πρέπει να χρησιμοποιείτε εξαιρετική προσοχή.
1. Ποτέ μην συνδέετε τη φριτέζα με την τροφοδοσία ρεύματος χωρίς να τοποθετήσετε πρώτα λάδι στη δεξαμενή λαδιού.
 2. Το λάδι στη δεξαμενή λαδιού θα είναι ακόμα ζεστό μετά την απενεργοποίηση. Ποτέ μην προσπαθείτε να μετακινήσετε τη φριτέζα σας μέχρι να κρύνει εντελώς, σηκώστε τη δεξαμενή λαδιού χρησιμοποιώντας τις λαβές.
 3. Ποτέ μην το παρακάνετε με το λάδι. Συμπληρώστε μόνο μεταξύ του ελάχιστου και του μέγιστου επιπέδου, όπως αναφέρεται στο εσωτερικό της δεξαμενής λαδιού.
 4. Μην προσθέτετε τρόφιμα με κρυστάλλους πάγου ή εάν είναι βρεγμένο στο καυτό λάδι.
 5. Αυτή η συσκευή δεν προορίζεται για χρήση από άτομα (συμπεριλαμβανομένων παιδιών) με μειωμένες σωματικές, αισθητηριακές ή διανοητικές ικανότητες ή έλλειψη εμπειρίας και γνώσης, εκτός εάν τους έχει δοθεί εποπτεία ή οδηγίες σχετικά με τη χρήση των συσκευών από άτομο υπεύθυνο για την ασφάλειά τους.
 6. Τα παιδιά θα πρέπει να επιβλέπονται για να βεβαιωθείτε ότι δεν παίζουν με τη συσκευή.
 7. Η συσκευή δεν πρέπει να χρησιμοποιείται με εξωτερικό χρονοδιακόπτη ή σύστημα τηλεχειρισμού.
 8. Αφού ολοκληρώσετε το τηγάνισμα, σηκώστε πάντα το καλάθι και περιμένετε λίγα δευτερόλεπτα για να αφήσετε να πέσει η πίεση του ατμού.
 9. Μην χρησιμοποιείτε τη συσκευή για άλλη χρήση εκτός από την προβλεπόμενη.
 10. Μην χρησιμοποιείτε σε εξωτερικούς χώρους.
 11. Αποθηκεύστε τη συσκευή σε εσωτερικό χώρο για να αποτρέψετε την ζημιά ηλεκτρονικών

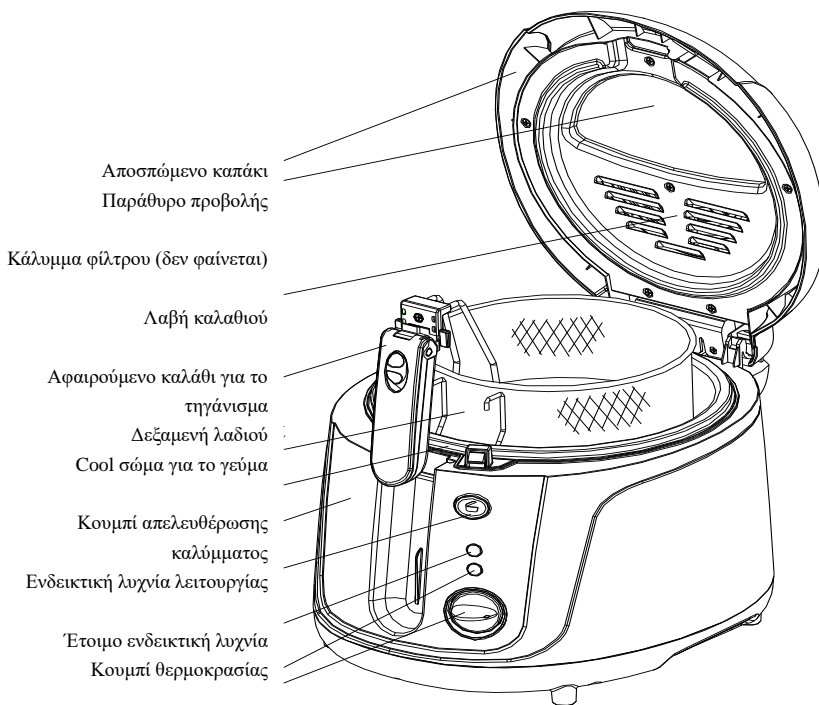
εξαρτημάτων.

12. **ΠΡΟΕΙΔΟΠΟΙΗΣΗ:** Μπορεί να προκληθούν σοβαρά εγκαύματα από καυτό λάδι από τη φριτέζα που τραβιέται από τον πάγκο. Μην επιτρέπετε στο καλώδιο τροφοδοσίας να κρέμεται πάνω από την άκρη ενός μετρητή όπου μπορεί να αρπαχθεί από τα παιδιά ή να εμπλακεί στα πόδια χρήστη.

ΚΡΑΤΗΣΤΕ ΑΥΤΕΣ ΤΙΣ ΟΔΗΓΙΕΣ ΓΙΑ ΜΕΛΛΟΝΤΙΚΗ ΑΝΑΦΟΡΑ.

ΟΙΚΟΓΕΝΕΙΑΚΗ ΧΡΗΣΗ ΜΟΝΟ

ΛΙΣΤΑ ΑΝΤΑΛΛΑΚΤΙΚΩΝ



Χαρακτηριστικά

ΕΝΔΕΙΚΤΙΚΗ ΛΥΧΝΙΑ ΛΕΙΤΟΥΡΓΙΑΣ

Αυτή η λυχνία ανάβει όταν η φριτέζα είναι ενεργοποιημένη.

ΕΝΔΕΙΚΤΙΚΗ ΛΥΧΝΙΑ ΘΕΡΜΟΚΡΑΣΙΑΣ

Αυτή η λυχνία ανάβει και σβήνει αρκετές φορές κατά τη θέρμανση. Θα σβήσει μόλις επιτευχθεί η θερμοκρασία.

ΡΥΘΜΙΣΗ ΘΕΡΜΟΚΡΑΣΙΑΣ

Γυρίστε τον επιλογέα θερμοκρασίας για να επιλέξετε μια θερμοκρασία μέχρι 190 ° C. Η θερμοκρασία μπορεί να ρυθμιστεί ανά πάσα στιγμή.

POP-UP καπάκι με παράθυρο προβολής

Το καπάκι στη φριτέζα σας είναι σε μια αρθρωτή με ελατήριο και βολικά "σκάει" επάνω με ένα πάτημα

ενός κουμπιού. Κοιτάζετε το φαγητό σας ενώ μαγειρεύει κοιτάζοντας το βολικό παράθυρο προβολής. Το καπάκι είναι επίσης αποσπώμενο και πλένεται στο πλυντήριο πιάτων.

ΚΑΛΑΘΙ ΤΗΓΑΝΙΣΜΑΤΟΣ

Το αφαιρούμενο καλάθι συρμάτινου τηγανίσματος με δροσερή λαβή αφής κάνει ασφαλή και εύκολη την προσθήκη και αφαίρεση των τροφίμων.

Πριν τη χρήση

Καθαρισμός

1. Αφαιρέστε όλα τα υλικά συσκευασίας και τα αυτοκόλλητα. Διαβάστε όλες τις οδηγίες.
2. Το καλάθι και τη λαβή στο εσωτερικό της συσκευής. Πατήστε το κουμπί απελευθέρωσης καπακιού για να ανοίξετε το αποσπώμενο κάλυμμα. Σηκώστε τη λαβή και αφαιρέστε το καλάθι.
3. Γείρετε το καπάκι προς τα εμπρός και τραβήξτε προς τα πάνω για να το αφαιρέσετε (Σχήμα 1)
4. Πλύνετε τη λαβή του καλαθιού, το καπάκι, το τηγάνι σε ζεστό σαπουνόνερο και σκουπίστε καλά, ή μπορείτε να πλύνετε το αποσπώμενο καπάκι, το καλάθι και τη λαβή στο πλυντήριο πιάτων στο επάνω ράφι.
5. Πλύνετε το εσωτερικό και το εξωτερικό της φριτέζας με μια σταγόνα σαπουνιού σε ένα υγρό πανί. Ξεπλύνετε καλά με ένα πανί με ένα στεγνό πανί ή χαρτοπετσέτα πριν προσθέσετε λάδι.

ΠΡΟΕΙΔΟΠΟΙΗΣΗ: ΜΗΝ τοποθετείτε τη φριτέζα στο πλυντήριο πιάτων.

ΠΡΟΣΟΧΗ: Όλα τα εξαρτήματα πρέπει να στεγνώσουν εντελώς πριν γεμίσετε τη δεξαμενή με λάδι και χρησιμοποιώντας.

ΠΡΟΣΟΧΗ: Πρέπει να προσέχετε ώστε το αφαιρούμενο κάλυμμα του φίλτρου και το καπάκι να είναι στεγνά. αλλιώς ο ατμός μπορεί να παγιδευτεί επικίνδυνα μέσα στη φριτέζα κατά τη χρήση.

ΣΥΝΑΡΜΟΛΟΓΗΣΗ ΚΑΙ ΠΛΗΡΩΣΗ ΤΗΣ ΔΕΞΑΜΕΝΗΣ ΛΑΔΙΟΥ

ΠΡΟΣΟΧΗ: Ποτέ μην συνδέετε τη φριτέζα στην πρίζα ενώ η δεξαμενή λαδιού είναι άδεια.

1. Ανασηκώστε τη λαβή και αφαιρέστε το καλάθι (εικόνα 2)
2. Ρίξτε λάδι μαγειρέματος στη δεξαμενή μέχρι η στάθμη λαδιού να βρίσκεται μεταξύ των γραμμών "MIN" και "MAX" στο εσωτερικό της δεξαμενής λαδιού. Για καλύτερα αποτελέσματα, διατηρήστε το λάδι κοντά στο επίπεδο "MAX". ΜΗΝ υπερβείτε το επίπεδο "MAX". (Σχ. 3)

ΣΗΜΕΙΩΣΗ: Χρησιμοποιήστε αναμειγμένο φυτικό έλαιο ή καθαρό λάδι καλαμποκιού. ΜΗΝ χρησιμοποιείτε ελαιόλαδο, μαργαρίνη, λαρδί ή στάχτες.

ΧΡΗΣΗ ΣΤΕΡΕΟΥ ΛΙΠΟΥΣ

ΠΡΟΣΟΧΗ : Δεν συνιστάται να τοποθετείτε στερεά λίπη στη δεξαμενή λαδιού ή στο καλάθι τηγανίσματος.

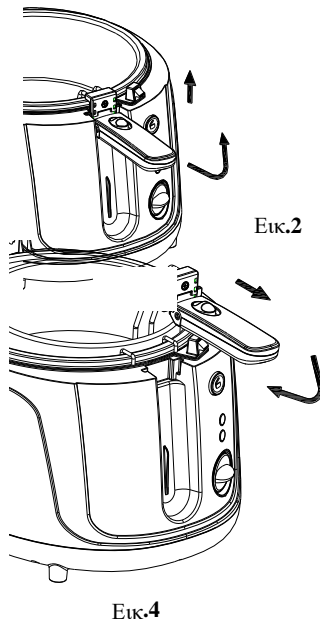
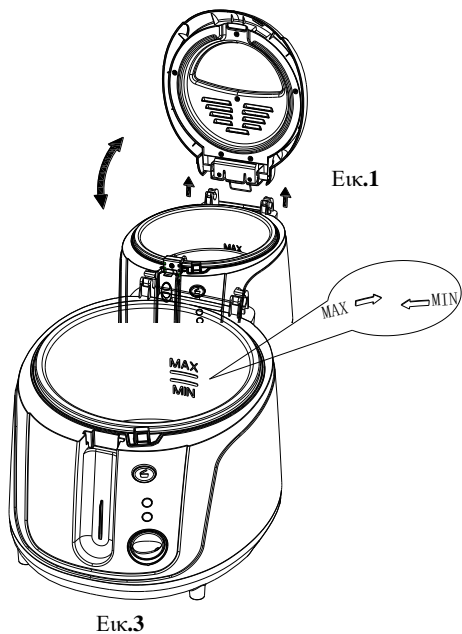
Εάν χρησιμοποιείτε στερεό φυτικό λίπος, λιώστε το πρώτα σε ξεχωριστό τηγάνι και ρίξτε πολύ προσεκτικά το λιωμένο λίπος στη δεξαμενή λαδιού.

ΣΗΜΕΙΩΣΗ: Αφαιρέστε το λίπος που χρησιμοποιήθηκε προηγουμένως από τη δεξαμενή λαδιού και λιώστε το σε ξεχωριστό τηγάνι πριν επαναχρησιμοποιηθεί.

ΠΡΟΣΟΧΗ: Η προσπάθεια τήξης του στερεοποιημένου λίπους στη δεξαμενή λαδιού παρουσιάζει τον κίνδυνο θερμού τήγματος λίπους που ξαφνικά εκτοξεύεται από κάτω μέσα από το ακόμη στερεό ανώτερο στρώμα λίπους. Χρησιμοποιήστε μόνο την ακόλουθη διαδικασία.

- Βεβαιωθείτε ότι το λίπος είναι σε θερμοκρασία δωματίου. Εάν το λίπος είναι πολύ κρύο, υπάρχει μεγαλύτερος κίνδυνος εκτόξευσης.
- Προσεκτικά κάνετε ορισμένες τρύπες στο λίπος με ένα πιρούνι.
- Βεβαιωθείτε ότι το καπάκι είναι καλά κλειστό.
- Θερμάνετε το λίπος αργά στη χαμηλότερη ρύθμιση θερμοκρασίας.

Τοποθετήστε το καλάθι και χαμηλώστε τη λαβή σύροντας το κουμπί προς τα εμπρός. Κλείστε το καπάκι (Εικ. 4)



ΧΡΗΣΗ

ΠΡΟΘΕΡΜΑΝΣΗ

ΠΡΟΣΟΧΗ: ΜΗΝ αφήσετε τη φριτέζα χωρίς επιτήρηση κατά τη λειτουργία.

ΣΗΜΑΝΤΙΚΟ: Χρησιμοποιείτε πάντα τη φριτέζα σε επίπεδη, ανθεκτική στη θερμότητα επιφάνεια

1. Κλείστε το καπάκι.
2. Βεβαιωθείτε ότι τα χέρια σας είναι στεγνά και συνδέστε τη μονάδα στην πρίζα.
3. Ρυθμίστε τον επιλογέα θερμοκρασίας στην επιθυμητή θερμοκρασία. Η ενδεικτική λυχνία έτοιμη θα ανάψει.

ΓΕΜΙΣΤΕ ΤΟ ΚΑΛΑΘΙ ΤΗΓΑΝΙΣΜΑΤΟΣ

ΠΡΟΕΙΔΟΠΟΙΗΣΗ: Χρησιμοποιείτε πάντα το καλάθι τηγανίσματος για τηγάνισμα.

ΠΡΟΕΙΔΟΠΟΙΗΣΗ: Αφαιρέστε και αντικαταστήστε προσεκτικά το καλάθι.

1. Πατήστε το κουμπί απελευθέρωσης καπακιού για να ανοίξετε το καπάκι.
2. ΜΗΝ γεμίζετε το καλάθι τηγανίσματος όταν είναι βυθισμένο στο λάδι. Κρατήστε πάντα το καλάθι από τη δροσερή λαβή αφής.
3. Τοποθετήστε προσεκτικά το φαγητό στο καλάθι της τηγανίσματος. ΜΗ γεμίζετε υπερβολικά. Για βέλτιστα αποτελέσματα και μικρότερο χρόνο τηγανίσματος, το καλάθι πρέπει να είναι μόνο μισό γεμάτο.

ΣΗΜΕΙΩΣΗ: Για να μαγειρέψετε ομοιόμορφα, τα κομμάτια των τροφίμων πρέπει να έχουν το ίδιο μέγεθος και πάχος. Τα παχύτερα κομμάτια θα χρειαστούν περισσότερο χρόνο για να μαγειρέψουν.

ΣΗΜΑΝΤΙΚΟ: Βεβαιωθείτε ότι τα τρόφιμα που θα τηγανισμένα είναι στεγνά. Βάζετε το φαγητό με χαρτοπετσέτα ή καθαρή πετσέτα, αν χρειαστεί.

ΠΡΟΣΟΧΗ: Όταν τηγανίζετε κατεψυγμένα τρόφιμα, φροντίστε να καθαρίσετε οποιοδήποτε πάγο από το φαγητό πριν τοποθετήσετε το καλάθι. Σε αντίθετη περίπτωση, η φριτέζα μπορεί να υπερχειλίσει όταν τα τρόφιμα τοποθετηθούν σε λάδι.

ΠΡΟΣΟΧΗ: Αφαιρέστε το καλάθι τηγανίσματος από τη φριτέζα όταν γεμίζετε καθώς το λάδι θα εκτοξευθεί και θα προκαλέσει εγκαύματα. Για τα κατεψυγμένα τρόφιμα, συνιστάται η πλήρωση των τροφίμων να μην υπερβαίνει το 1/4 της χωρητικότητας του καλαθιού.

ΤΗΓΑΝΙΣΜΑ

ΠΡΟΣΟΧΗ: Το λάδι είναι πολύ ζεστό και μπορεί να προκαλέσει σοβαρό τραυματισμό.

1. Χαμηλώστε αργά και προσεκτικά το καλάθι στο ζεστό λάδι. Εάν χαμηλώσετε γρήγορα το καλάθι, μπορεί να προκληθεί υπερχειλίση και εκτόξευση λαδιού. ΜΗΝ γεμίζετε το καλάθι στο λάδι μαγειρέματος.

2. Κλείστε το καπάκι για το τηγάνισμα.

ΣΗΜΕΙΩΣΗ: Είναι φυσιολογικό ο ατμός να διαφεύγει από τις πλευρές του καπακιού κατά το τηγάνισμα.

ΠΡΟΕΙΔΟΠΟΙΗΣΗ: Αποφύγετε να στέκεστε πολύ κοντά στη φριτέζα κατά τη διάρκεια του μαγειρέματος.

3. Χρησιμοποιήστε το παράθυρο προβολής για να παρακολουθήσετε το φαγητό σας. Όταν το φαγητό είναι έτοιμο, απομακρυνθείτε λίγο πριν ανοίξετε το καπάκι για να αποφύγετε το ζεστό ατμό.

4. Ανασηκώστε το καλάθι από το λάδι και το αγκιστρώστε στο άκρο της δεξαμενής λαδιού για να επιτρέψετε τη ροή του λαδιού για ένα λεπτό.

5. Αφαιρέστε το φαγητό από το καλάθι είτε με λαβίδες είτε ρίχνοντας το φαγητό σε ένα δοχείο που σερβίρεται ή σε μια πλάκα που καλύπτεται με χαρτοπετσέτες.

6. Επαναλάβετε τη διαδικασία για το υπόλοιπο φαγητό.

7. Όταν τελειώσετε τη χρήση της φριτέζας σας, περιστρέψτε τον επιλογέα θερμοκρασίας αριστερόστροφα μέχρι να σβήσετε τη συσκευή.

8. Αποσυνδέστε τη φριτέζα από την πρίζα και αφήστε την ψύξη για περίπου 2 ώρες πριν επιχειρήσετε να αφαιρέσετε το λάδι ή να καθαρίσετε τη φριτέζα.

ΠΡΟΕΙΔΟΠΟΙΗΣΗ: Μη χρησιμοποιείτε ποτέ το καλώδιο τροφοδοσίας για να απενεργοποιήσετε τη φριτέζα.

ΠΡΟΕΙΔΟΠΟΙΗΣΗ: Ποτέ μην χρησιμοποιείτε τη φριτέζα για να βράσετε νερό.

ΑΠΟΥΗΚΕΥΣΗ ΚΑΙ ΕΠΑΝΑΧΡΗΣΗ ΤΟΥ ΛΑΔΙΟΥ

Σ Η Μ Ε Ι Ω Σ Η: Το λάδι δεν είναι απαραίτητο να αλλάχθει μετά από κάθε χρήση και μπορεί να χρησιμοποιηθεί μέχρις ότου σκοτεινιάσει ή υπάρχουν μικρά κομμάτια φαγητού μέσα σε αυτό, όπως ψίχουλα ψωμιού.

ΣΗΜΕΙΩΣΗ: Δεν συνιστάται η αποθήκευση ή επαναχρησιμοποίηση ελαίου που χρησιμοποιήθηκε για να τηγανιστούν τα τρόφιμα με πρωτεΐνες, όπως τα πουλερικά, το κρέας και τα ψάρια. Όταν το λάδι χρησιμοποιείται κυρίως για τηγάνισμα πατάτας και φιλτράρεται μετά από κάθε χρήση μπορεί να χρησιμοποιηθεί 8 έως 10 φορές, αλλά ΔΕΝ χρησιμοποιείτε το ίδιο λάδι για περισσότερο από 6 μήνες.

ΣΗΜΑΝΤΙΚΟ: Να αντικαθιστάτε πάντα το λάδι μόλις αρχίσει να σχηματίζει αφρό όταν θερμαίνεται ή όταν το χρώμα γίνει σκοτεινό, όταν έχει οργισμένη οσμή ή γεύση ή γίνεται σιρόπι.

1. Βεβαιωθείτε ότι η φριτέζα είναι απενεργοποιημένη, αποσυνδεδεμένη και έχει κρυώσει για περίπου 4 ώρες πριν προσπαθήσετε να αποθηκεύσετε λάδι.

2. Αφαιρέστε το αναδιδόμενο κάλυμμα και το καλάθι τηγανίσματος.

3. Χρησιμοποιώντας μια χοάνη, ρίξτε το λάδι από την πίσω γωνία της δεξαμενής μέσω φίλτρου χαρτιού ή φίλτρου συρμάτων σε ένα δοχείο αποθήκευσης.

ΣΗΜΑΝΤΙΚΟ: Η δεξαμενή λαδιού δεν μπορεί να αφαιρεθεί από τη φριτέζα.

4. Για να επαναχρησιμοποιήσετε αυτό το λάδι, ρίξτε ξανά στη δεξαμενή λαδιού.
ΣΗΜΑΝΤΙΚΟ: ΜΗ αναμειγνύετε μαζί διαφορετικά λάδια ή νέο και παλαιό λάδι.

Προτεινόμενος οδηγός τηγανίσματος και συμβουλές

ΦΑΓΗΤΟ	ΧΡΟΝΟΣ	ΘΕΡΜΟΚΡΑΣΙΑ
ΠΑΤΑΤΕΣ	6-9 λεπτά	190 ⁰ C
ΦΙΛΕΤΑ ΨΑΡΙΟΥ	3-6 λεπτά	170 ⁰ C
ΚΟΤΟΜΠΟΥΚΙΤΣΕΣ	6-9 λεπτά	190 ⁰ C
ΚΟΤΟΠΟΥΛΟ	12-20 λεπτά	150 ⁰ C
ΚΟΛΟΚΥΘΑΚΙΑ	3-6 λεπτά	130 ⁰ C
ΜΑΝΙΤΑΡΙΑ	4-6 λεπτά	130 ⁰ C
ΡΟΔΕΛΕΣ ΚΡΕΜΜΥΔΙΟΥ	3-6 λεπτά	130 ⁰ C
ΝΤΟΝΑΤΣ	3-6 λεπτά	130 ⁰ C
ΓΑΡΙΔΕΣ	3-6 λεπτά	130 ⁰ C
ΠΑΤΑΤΕΣ	3-6 λεπτά	130 ⁰ C

ΠΡΟΤΕΙΝΟΜΕΝΟΣ ΟΔΗΓΟΣ ΤΗΓΑΝΙΣΜΑΤΟΣ

ΣΗΜΕΙΩΣΗ: Οι χρόνοι μαγειρέματος και οι θερμοκρασίες που προαναφέρθηκαν αντικατοπτρίζουν μόνο τον κατά προσέγγιση χρόνο που απαιτείται για να τηγανιστούν ένα καλάθι στο μισό. Οι ακριβείς χρόνοι μπορεί να διαφέρουν ανάλογα με την πραγματική ποσότητα, τις προσωπικές προτιμήσεις μαγειρέματος, το μέγεθος και το πάχος των τεμαχίων κλπ. γενικά, χρησιμοποιήστε χαμηλότερες ρυθμίσεις για τα λεπτά τρόφιμα (λαχανικά, ψάρια) και υψηλότερες ρυθμίσεις για κατεψυγμένα τρόφιμα, πατάτες τηγανητές και κοτόπουλο.

ΣΥΜΒΟΥΛΕΣ ΤΗΓΑΝΙΣΜΑΤΟΣ

Για καλύτερα αποτελέσματα μαγειρέματος, σημειώστε αυτές τις χρήσιμες συμβουλές:

- Για να αποφύγετε τη δημιουργία συμπυκνωμάτων στο παράθυρο προβολής, τρίψτε λίγο λάδι μαγειρέματος στο παράθυρο.
- ΜΗΝ αναμειγνύετε διαφορετικά λάδια ή νέο και παλαιό λάδι.
- Να αντικαταστήσετε τακτικά το λάδι, γενικά, το λάδι που χρησιμοποιείται για τηγάνισμα τροφών με πρωτεΐνες, όπως τα πουλερικά, το κρέας και τα ψάρια, δεν πρέπει να επαναχρησιμοποιείται, όταν το λάδι χρησιμοποιείται κυρίως για τηγάνισμα των πατατών και φιλτράρεται μετά από κάθε χρήση, μπορεί να χρησιμοποιηθεί 8 έως 10 φορές αλλά ΔΕΝ χρησιμοποιείτε το ίδιο λάδι για περισσότερο από 6 μήνες.
- Να αντικαθιστάτε πάντοτε όλο το λάδι καθώς αρχίζει ο αφρός όταν θερμαίνεται, όταν το χρώμα γίνεται σκοτεινό, όταν έχει οργισμένη οσμή ή γεύση ή γίνεται σιρόπι.
- Βεβαιωθείτε ότι τα τρόφιμα που θα τηγανισμένα είναι στεγνά, βούτυρο με χαρτοπετσέτα ή καθαρή πετσέτα, αν χρειαστεί.

□ Όταν το τηγάνιζετε κατεψυγμένα τρόφιμα, θα πρέπει να έχουν το ίδιο μέγεθος και πάχος, τα χοντρά κομμάτια θα χρειαστούν περισσότερο χρόνο για να μαγειρέψουν.

Καθαρισμός και αποθήκευση της φριτέζας

ΟΔΗΓΙΕΣ ΚΑΘΑΡΙΣΜΟΥ

1. Βεβαιωθείτε ότι η φριτέζα είναι απενεργοποιημένη, αποσυνδεθεί και ψύχεται για περίπου 4 ώρες.
2. Αφαιρέστε το καπάκι και το καλάθι τηγανίσματος και πλύνετε σε ζεστό σαπουνόνερο και σκουπίστε καλά. Το αποσπώμενο καπάκι και το καλάθι μπορούν να πλυθούν στο πλυντήριο πιάτων στο επάνω ράφι.
3. Πλύνετε το εσωτερικό (αν το λάδι αποθηκεύεται σε ξεχωριστό δοχείο) και έξω από τη φριτέζα με μια σταγόνα σαπουνιού σε ένα υγρό πανί.
4. Ξεπλύνετε με ένα πανί μόνο με νερό.
5. Σκουπίστε καλά με στεγνή ή χαρτοπετσέτα.

ΠΡΟΕΙΔΟΠΟΙΗΣΗ: ΜΗΝ βυθίζετε τη φριτέζα στο νερό. Μην τοποθετείτε τη φριτέζα στο πλυντήριο πιάτων.

ΠΡΟΕΙΔΟΠΟΙΗΣΗ: ΜΗΝ χρησιμοποιείτε οινόπνευμα ή διαλύματα καθαρισμού για να καθαρίσετε τη φριτέζα.

ΠΩΣ ΝΑ ΤΗΝ ΑΠΟΘΗΚΕΥΣΕΤΕ ΜΕ ΑΣΦΑΛΕΙΑ

1. Βεβαιωθείτε ότι η φριτέζα είναι απενεργοποιημένη, έχει αποσυνδεθεί, ψύχθει και καθαρίσει.
2. Αποθηκεύστε το καλάθι μέσα στη φριτέζα και κλείστε το καπάκι.
3. Φυλάξτε τη φριτέζα σας σε μια επίπεδη επιφάνεια σε ένα δροσερό ξηρό καπάκι και δεν θα υποστεί ζημιά ή θα είναι επικίνδυνη για κανέναν ή οτιδήποτε άλλο.

Οδηγός επίλυσης προβλημάτων

Οδηγός επίλυσης προβλημάτων

Εάν η φριτέζα σας δεν λειτουργεί, ακολουθήστε αυτές τις οδηγίες:

1. Βεβαιωθείτε ότι το φινιρίσμα είναι καλά συνδεδεμένο στην πρίζα.
2. Βεβαιωθείτε ότι η πρίζα λειτουργεί, αποσυνδέστε τη μονάδα, ελέγξτε το κιβώτιο ασφαλειών ή το κιβώτιο του διακόπτη και αντικαταστήστε την ασφάλεια ή επαναφέρετε τον διακόπτη όπως είναι απαραίτητο και, στη συνέχεια, συνδέστε τη μονάδα ξανά.
3. Εάν το πρόβλημα παραμένει, επικοινωνήστε με την Εξυπηρέτηση Πελατών.

ΠΕΡΑΙΤΕΡΩ ΔΙΑΘΕΣΗ ΠΕΡΙΒΑΛΛΟΝΤΟΣ ΛΙΣΤΑ ΑΝΤΑΛΛΑΚΤΙΚΩΝ



Μπορείτε να βοηθήσετε στην προστασία του περιβάλλοντος!

Μην ξεχνάτε να τηρείτε τους τοπικούς κανονισμούς: παραδώστε το μη ενεργό ηλεκτρικό εξοπλισμό σε ένα κατάλληλο κέντρο διάθεσης αποβλήτων.



VOX
ELECTRONICS

SVN

NAVODILA ZA UPORABO
FT - 5318



Pred uporabo pozorno preberite navodila in jih shranite za poznejšo uporabo.

POMEMBNI VARNOSTNI NAPOTKI

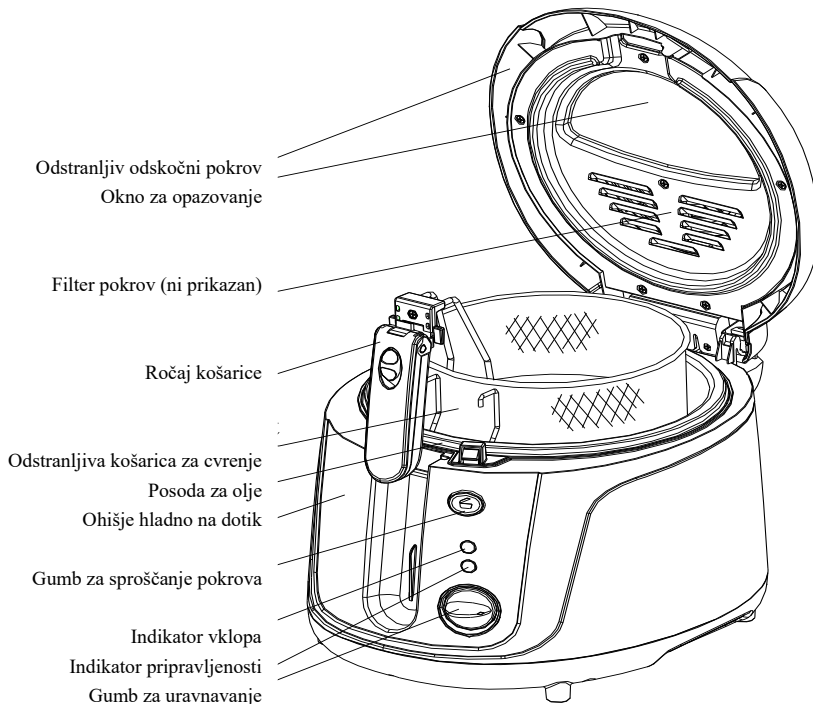
Pri uporabi električnih aparatov, je potrebno slediti osnovne varnostne ukrepe, med katerimi so:

1. Preberite navodila v celoti.
2. Ne dotikajte se vročih površin. Uporabljajte ročaje ali gume.
3. Da ne bi prišlo do električnega udara, ne potaplajte napajalnega kabla, vtikača ali ohišja aparata v vodo ali druge tekočine.
4. Kadar aparat uporabljate v bližini otrok, je potrebna posebna pozornost.
5. Pred čiščenjem oz. po uporabi aparata, ga izklopite iz električne vtičnice. Pustite, da se ohladi preden začnete odstranjevati sestavne dele oz. preden začnete s čiščenjem.
6. Aparata ne postavljajte na mehko podlago ali mizo pokrito s prtom, prepričajte se, da je aparat postavljen na trdno podlago.
7. V primeru poškodbe napajalnega kabla ali vtiča oz. kakršnekoli okvare ali poškodbe aparata, nemudoma prekinite z uporabo. Napravo odnesite v najbližji pooblaščen servis na pregled in popravilo.
8. Uporaba dodatne opreme, ki ni priporočena od strani proizvajalca, lahko privede do telesnih poškodb.
9. Ne dovolite, da napajalni kabel visi čez rob mize oz. pulta in ne dovolite, da se dotika vročih površin.
10. Ne uporabljajte aparata brez posode za olje, brez olja ali drugih sestavin oz. z manjšo količino olja od predvidene.
11. Ne postavljajte aparat na ali v bližino vročega električnega ali plinskega grelca oz. peči.
12. Pri premikanju friteze, v kateri se nahaja vrelo olje, morate biti izjemno previdni.
13. Friteze nikoli ne priključujte na električno napajanje brez olja v posodi za olje.
14. Olje v posodi ostane vrelo po izklopu aparata. Nikoli ne poskušajte premikati friteze preden se popolnoma ne ohladi, dvignite posodo za olje z ročicami.
15. Nikoli ne napolnite friteze s preveliko količino olja. Vedno napolnite posodo tako, da se raven olja nahaja med oznakama za največjo in najmanjšo dovoljeno raven na notranjosti posode.
16. V vrelo olje ne dodajajte mokrih živil oz. zamrznjenih živil.
17. Aparat ni namenjen uporabi od strani oseb (vključno z otroci) z zmanjšanimi telesnimi, zaznavnimi ali umskimi sposobnostmi, pomanjkanjem izkušenj ali znanja, razen pod nadzorom osebe, ki je odgovorna za njihovo varnost.
18. Otroke je potrebno nadzorovati, da se ne bi igrali z aparatom.
19. Aparat ni namenjen uporabi z zunanjim časovnikom ali ločenim sistemom za daljinsko upravljanje.
20. Po končanem cvrenju, vedno dvignite košarico in počakajte nekaj sekund, da parni tlak pade.
21. Aparata ne uporabljajte razen za predvidene namene.
22. Aparata ne uporabljajte na odprtem prostoru.
23. Aparat hranite v zaprtem prostoru, da ne bi prišlo do poškodb elektronskih delov.
24. **POZOR:** Padeč friteze z delovne površine lahko povzroči hude opekline. Ne dovolite, da napajalni kabel visi čez rob delovne površine, kjer bi ga lahko dosegli otroci oz. bi bil v napoto pri uporabi.

SHRANITE TA NAVODILA

IZKLJUČNO ZA UPORABO V GOSPODINJSTVU

OPIS IZDELKA



INDIKATOR VKLOPA

Indikator vklopa se prižge, kadar je friteza vključena.

INDIKATOR PRIPRAVLJENOSTI

Indikator pripravljenosti se bo prižgal in ugašal večkrat med cvrenjem. Kadar temperatura doseže nastavljeno, se indikator ugasne.

GUMB ZA URAVNAVANJE TEMPERATURE

Nastavite temperature do 190°C. Nastavitve lahko spremenite kadarkoli.

ODSKOČNI POKROV Z OKNOM ZA OPAZOVANJE

Pokrov vaše friteze ima tečaj z vzmetjo, in priročno odskoči na pritisk gumba. Hrano lahko opazujete med cvrenjem skozi okno na pokrovu. Pokrov lahko odstranite in pomijete v stroju za pomivanje posode.

ŽIČNATA KOŠARICA ZA CVRENJE

Odstranljiva žičnata košarica za cvrenje s toplotno izoliranim ročajem omogoča varno in enostavno odstranjevanje hrane iz friteze.

Pred uporabo

Čiščenje pred prvo uporabo

1. Odstranite vso embalažo in nalepnice oz. oznake. Preberite vso priloženo literaturo.
2. Košarica in ročaj sta v posodi za olje. Pritisnite gumb za sproščanje pokrova za odpiranje

odskočnega pokrova. Primite za ročaj in dvignite košarico iz posode za olje.

3. Nagnite pokrov naprej in povlecite navzgor, da bi ga odstranili. (Slika 1)
4. Pomijte ročaj, pokrov, košarico s toplo milnico ter popolnoma posušite. Prav tako lahko vse našteto pomijete v pomivalnem stroju, na zgornji košari.
5. Očistite zunanost in notranjost friteze z vlažno krpo. Temeljito posušite s suho krpo pred dodajanjem olja.

POZOR: Friteze NE vstavljajte v pomivalni stroj.

POZOR: Vsi deli morajo biti popolnoma suhi pred polnjenjem posode z oljem i uporabo aparata.

POZOR: Posebej pozorni morate biti, da popolnoma posušite odstranljiv filter in pokrov, drugače lahko pride do nevarnega zadrževanja pare znotraj friteze.

SESTAVLJANJE IN POLNJENJE POSODE ZA OLJE

POZOR:

Nikoli ne priključujte friteze na električno napajanje pred polnjenjem posode z oljem.

1. Primite ročaj in odstranite košarico. (Slika 2)
2. Dodajte
3. Dodajte dovolj olja v posodo za olje, tako da se raven nahaja med oznakama “Min” in “Max” na posodi. Za najboljše rezultate dodajte olje do blizu oznake “MAX”. NE dodajajte čez oznako “MAX”. (Slika 3)

OPOMBA: Lahko uporabite mešano rastlinsko olje, koruzno olje ali repično olje. **NE** uporabljajte olivnega olja, margarina, svinjske masti ali soka od pečenja.

UPORABA MAŠČOBE V TRDNEM STANJU

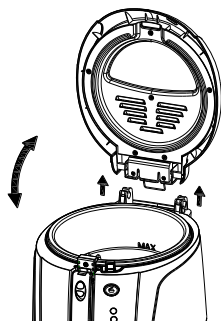
POZOR: NI PRIPOROČENO dodajati maščobo v trdnem stanju v posodo za olje ali v košarico.

Če uporabljate maščobo v trdnem stanju jo najprej stopite v ločeni posodi i pazljivo dodajte v posodo za olje.

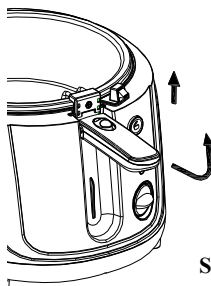
OPOMBA: Predhodno uporabljena rastlinska maščoba, ki se je strdila v posodi za olje, mora biti odstranjena in segreti v ločeni posodi pred ponovno uporabo.

POZOR: Če poskusite segreti strjeno maščobo v posodi za olje, obstaja nevarnost, da bo vrela maščoba nenadoma brizgnila odspodaj skozi zgornji strjeni del maščobe. Uporabljajte le naslednji postopek

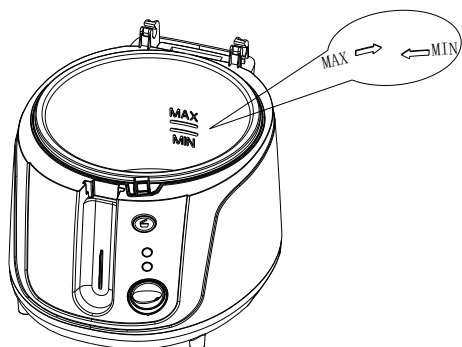
- Preverite, ali je maščoba segreti na sobno temperaturo. Če je zelo hladna, obstaja večja nevarnost škropljenja.
 - Z vilico previdno preluknjajte maščobo na več mestih.
 - Preverite ali ste dobro zaprli pokrov.
 - Počasi segrevajte maščobo na najnižji nastavitvi temperature.
4. Vstavite košarico in spustite ročaj tako, da potisnete gumb naprej. Zaprite pokrov (Slika 4)



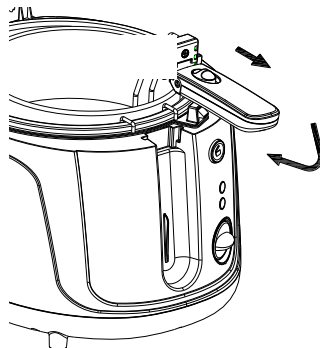
SI.1



SI.2



Slika 3



Slika 4

Uporaba friteze

PREDHODNO SEGREVANJE

POZOR: NIKOLI ne puščajte friteze, da obratuje brez nadzora.

POMEMBNO: Fritezo vedno uporabljajte na trdni, na vročino odporni podlagi.

1. Zaprite pokrov.
2. Pazite, da imate suhe roke in vključite aparat v električno vtičnico.
3. Nastavite gumb za uravnavanje temperature na zeleno raven. Prižgal se bo indikator pripravljenosti.

DODAJTE ŽIVILA V KOŠARICO

POZOR: Za cvrenje živil vedno uporabljajte košarico.

POZOR: Vedno bodite pozorni pri vstavljanju in odstranjevanju košarice.

1. Pritisnite gumb za sproščanje pokrova in odprite pokrov.
2. **NE** dodajajte živil v košarico kadar je potopljena v olje. Vedno primite za toplotno izolirani ročaj košarice.
3. Pazljivo dodajte živila v košarico. **NE** dodajajte čezmerno količino živil. Za najboljše rezultate in hitrejšo cvrenje napolnite košarico do polovice.

OPOMBA: Za enakomerno cvrenje, bi morali kosi živil biti podobne velikosti in debeline. Debelejši kosi živil bodo potrebovali več časa za cvrenje.

POMEMBNO: Prepričajte se, da so živila, ki jih nameravate cvreti suha. Posušite živila s servietami, če je to potrebno.

POZOR: Če nameravate cvreti zamrznjeno hrano, Odstranite delce ledu z zamrznjenih živil pred cvrenjem. V nasprotnem primeru lahko pride do prelivanja vrelega olja kadar košarico z živili vstavite v fritezo.

POZOR: Pred dodajanjem živil odstranite košarico iz friteze, saj dodajanje neposredno v vrelo olje lahko povzroči škropljenje vrelega olja in opekline. Pri zamrznjeni hrani, priporočamo, da ne polnite več kot $\frac{1}{4}$ košarice.

CVRENJE

POZOR: Vrelo olje je izjemno nevarno in lahko povzroči hude telesne poškodbe.

1. Vstavite košarico z živili v vrelo olje počasi in previdno. Prehitro vstavljanje lahko povzroči prelivanje in škropljenje vrelega olja. Košarice z živili **NIKOLI** ne spuščajte naglo vrelo olje.
2. Zaprite pokrov, da bi se cvrenje začelo.

OPOMBA: Normalno je, če para uhaja s strani pokrova med cvrenjem.

POZOR: Ne stojte preveč blizu friteze medtem med cvrenjem.

3. Skozi okence spremljajte cvrenje. Kadar je hrana ocvrta, stopita korak nazaj od friteze pred odpiranjem pokrova, da ne bi bili izpostavljeni vreli pari.
4. Odstranite košarico iz olja in jo namestite na kavelj na robu posode z oljem, tako da se hrana odcedi.
5. Odstranite hrano iz košarice, bodisi s prijemalkami ali pa izsujite hrano v posodo ali krožnik pokrit s salvetami.
6. Ponovite postopek s preostalo hrano.
7. Kadar končate z uporabo friteze, obrnite gumb za temperaturo v nasprotni smeri urinega kazalca, do konca, da bi ugasnili aparat.
8. Izključite fritezo iz električne vtičnice in pustite da se ohladi približno dve uri preden odstranite olje oz. čistite fritezo.

POZOR: Nikoli ne ugašajte friteze tako, da izvlečete napajalni kabel iz vtičnice.

POZOR: Nikoli ne uporabljajte friteze za segrevanje vode.

SHRANJEVANJE IN PONOVA UPORABA OLJA ZA CVRTJE

OPOMBA: Olje ni potrebno menjati po vsakem cvrenju in se lahko uporablja dokler ne potemni oz. dokler ne postane zasičeno z delci hrane.

OPOMBA: Ni priporočljivo ponovno uporabljati ali shranjevati olje uporabljeno za cvrenje živil, ki vsebuje veliko proteinov (npr. perutnina, meso, riba). Kadar cvrete pretežno krompir in olje filtrirate po vsakem cvrenju, lahko isto olje uporabite od 8 do 10 krat, vendar **NE** uporabljajte istega olja dlje od 6 mesecev.

POMEMBNO: Kadar pri segrevanju olje začne peniti oz. potemni ali ima žarek vonj oz. sladkast okus, ga obvezno menjajte.

1. Prepričajte se da je friteza izključena, odklopljena iz električne vtičnice in se je hladila vsaj 4 ure preden shranite olje.
2. Odstranite odskočni pokrov in košarico.
3. Z uporabo lijaka pretočite olje iz posode za olje skozi papirni ali žični filter in ga shranite v posodo za shranjevanje.

POMEMBNO: Posodo za olje ni mogoče odstraniti iz friteze.

4. Kadar želite ponovno uporabiti olje, da dodajte v posodo za olje.

POMEMBNO: **NE** ne mešajte različne vrste olja in rabljeno ter sveže olje.

Priporočila in namigi za cvretje

HRANA	ČAS CVRENJA	TEMPERATURA
POMFRIT	6-9min	190 ⁰ C
RIBJI FILETI	3-6min	170 ⁰ C
PIŠČANČJI KROKETI	6-9min	190 ⁰ C
PIŠČANEC V KOSIH	12-20min	150 ⁰ C
BUČKE	3-6min	130 ⁰ C
GOBE	4-6min	130 ⁰ C
ČEBULA	3-6min	130 ⁰ C
KROFI	3-6min	130 ⁰ C
JABOLKA	3-6min	130 ⁰ C
KOZICE	3-6min	130 ⁰ C

VODIČ ZA CVRETJE

OPOMBA: Spodaj navedeni časi cvrenja so samo približne vrednosti za cvrenje polovično napolnjene košarice. Točen čas cvrenja je odvisen od dejanske količine živil, osebnega okusa, velikosti in debeline kosov itd. Na splošno uporabljajte nižje temperature za občutljivo hrano (zelenjava, riba) in višje za zamrznjena živila, pomfrit in perutnino.

NASVETI ZA CVRENJE

Za najboljše rezultate upoštevajte naslednje nasvete:

- Da ne bi prišlo do nabiranja kondenzata na okencu pokrova, vtrite malce olja na notranjo stran okenca.
- **NE** mešajte različne vrste olja in rabljeno ter sveže olje.
- Redno menjajte olje. Na splošno se olje hitro onesnaži pri cvrenju živil, ki vsebuje veliko proteinov (npr. perutnina, meso, riba). Kadar cvrete pretežno krompir in olje filtrirate po vsakem cvrenju, lahko isto olje uporabite od 8 do 10 krat, vendar **NE** uporabljajte istega olja dlje od 6 mesecev.
- Kadar pri segrevanju olje začne peniti oz. potemni ali ima žarek vonj oz. sladkast okus, ga obvezno menjajte.
- Preverite da so živila suha pred dodajanjem, če je potrebno jih posušite s salveto.
- Pri cvrenju zamrznjene hrane, kosi morajo biti enake velikosti in debeline, saj se debelejši kosi dlje cvrejo.

Čiščenje in shranjevanje vaše friteze

NAVODILA ZA ČIŠČENJE

1. Pred čiščenjem mora friteza biti izključena iz električne vtičnice in se hladiti pribl. 4 ure.
2. Pokrov in košarico lahko pomijete s toplo ter posušite, lahko pa ju pomijete tudi v zgornji košari

pomivalnega stroja.

3. Očistite notranjost friteze (če ste shranili olje v ločeni posodi) in zunanost z vlažno krpo in manjšo količino mila.
4. Pobrišite z vlažno krpo brez mila.
5. Pustite, da se povsem posuši ali temeljito pobrišite s papirnato brisačo.

POZOR: NE potaplajte friteze v vodo. Ne vstavljajte friteze v pomivalni stroj.

POZOR: NE ne uporabljajte alkohola ali razredčilca za čiščenje friteze.

KAKO VARNO SPRAVITI FRITIZO

1. Prepričajte se da je friteza izključena, odklopljena iz električne vtičnice, hladna in čista.
2. Vstavite košarico v fritezo in zaprite pokrov.
3. Shranite fritezo na ravno površino v suhem in svežem prostoru, postavljeno tako, da ne bo nobenemu v napoto, da ne je ne bi kdo prevrnil ali poškodoval oz. da ne bi predstavljala nevarnost za kogarkoli.

VODIČ ZA ODPRAVLJANJE TEŽAV

Odpravljanje težav

Če vaša friteza ne deluje, sledite spodnja navodila:

1. Preverite ali je vtič dobro vtaknjen v električno vtičnico.
2. Preverite ali je električna vtičnica delujoča, odklopite aparat, preverite omarico z varovalkami in ponastavite ali zamenjajte varovalko, če je potrebno, ter poskusite znova.
3. Če aparat tudi po teh korakih ne deluje, stopite v stik s službo za podporo uporabnikom.

OKOLJU PRIJAZNO ODLAGANJE ODPADKOV



Pomagajte zaščititi okolje!

Prosimo upoštevajte veljavne predpise:

Odsluženo elektronsko opremo odnesite na ustrezno zbirno mesto ali v center za recikliranje.



VOX
ELECTRONICS

HRV

KORISNIČKE UPUTE
FT - 5318



Pažljivo pročitajte korisničke upute i sačuvajte ih za buduću upotrebu.

VAŽNE BEZBJEDONOSNE UPUTE

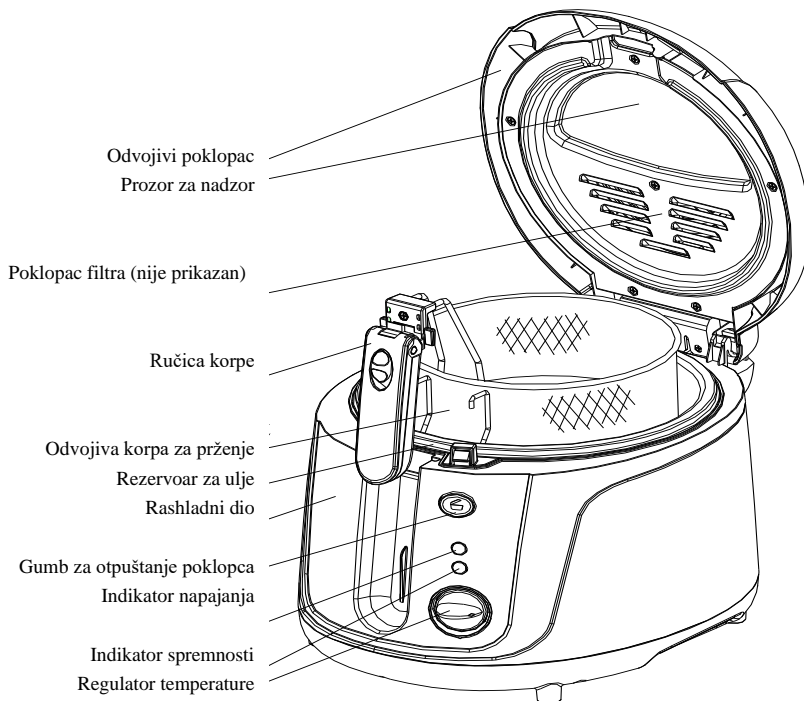
Prilikom korištenja električnih uređaja, neophodno je ispratiti osnovne mjere bezbjednosti, uključujući i sljedeće:

1. Pročitajte cijele upute.
2. Ne dodirujte vrelu površinu. Koristite ručke i rukohvate.
3. Da bi se zaštitili od strujnog udara, ne potapajte kabel, utikače ili kućište u vodu ili drugu tekućinu.
4. Neophodan je budan nadzor kada uređaj koriste djeca ili se koristi u blizini djece.
5. Kada se ne koristi i prije čišćenja, izvucite kabel iz napajanja. Prije bilo kakvog skidanja ili montiranja dijelova, i prije čišćenja, morate pustiti uređaj da se ohladi.
6. Ne stavljajte uređaj na meku radnu površinu ili stol pokriven stolnjakom, vodite računa da uređaj koristite na tvrdoj radnoj površini.
7. Nije dozvoljeno korištenje uređaja ukoliko je došlo do oštećenja kabla ili utikača ili poremećaja u radu uređaja, ili je na bilo koji način uređaj oštećen. Odnosite uređaj u najbliži servis na pregled, popravku ili podešavanje.
8. Uporaba dodataka koje nije preporučio proizvođač može prouzrokovati ozljede.
9. Kabel za napajanje ne smije se ostaviti da visi preko ruba stola ili radne površine, ili da dodiruje vruće površine.
10. Nemojte koristiti ovaj uređaj kada mu nedostaje rezervoar za ulje, ulje ili bilo koji drugi materijal, ili kada nema dovoljno ulja.
11. Ne stavljajte uređaj na ili blizu zagrijane plinskog ili električnog štednjaka ili u zagrijanu pećnicu.
12. Neophodan je maksimalan oprez kada se pomjera friteza koja sadrži vrelu ulje.
13. Nikada ne povežite fritezu sa izvorom električnog napajanja, a da prethodno ne stavite ulje u rezervoar sa uljem.
14. Ulje u rezervoaru sa uljem je još uvijek vruće kada se uređaj isključi. Nikada ne pokušavajte da pomjerite fritezu dok se potpuno ne ohladi, podignite rezervoar za ulje koristeći ručke.
15. Nikada ne prepunjujte fritezu uljem. Napunite samo između maksimalne i minimalne razine kao što je navedeno unutar rezervoara sa uljem.
16. Nemojte dodavati hranu sa kristalima leda ili hranu koja je vlažna u vruće ulje.
17. Ovaj uređaj nije namijenjen uporabi od strane osoba (uključujući djecu) sa smanjenim fizičkim, senzornim ili mentalnim sposobnostima, kao ni od strane osoba sa nedovoljnim iskustvom i znanjem,

osim ako im nije dodijeljen nadzor ili instrukcije koje se tiču uporabe uređaja od strane osobe odgovorne za njihovu bezbjednost.

18. Djeca moraju biti pod nadzorom da se ne bi igrala sa uređajem.
19. Uređaj nije namijenjen za uporabu preko daljinskog tajmera ili odvojenog sustava daljinskog upravljanja.
20. Nakon završetka prženja, uvijek podignite korpu i sačekajte nekoliko sekundi da se smanji pritisak pare.
21. Ne koristite uređaj za bilo koju vrstu uporabe osim one za koju je namijenjen.
22. Ne koristite uređaj napolju.
23. Čuvajte uređaj unutra da biste spriječili kvar električnih dijelova.
24. **UPOZORENJE:** Ozbiljne opekotine od ulja mogu nastati kada se friteza povuče sa radne površine. Vodite računa da kabel za napajanje ne visi preko ruba radne površine gdje ga mogu dohvatiti djeca ili gdje se može upetljati sa korisnikom.

OPIS PROIZVODA



Karakteristike

INDIKATOR NAPAJANJA

Lampica svijetli kada je friteza uključena.

INDIKATOR SPREMNOSTI

Ova lampica se uključuje i isključuje nekoliko puta tijekom zagrijavanja. Isključuje se kada se dostigne željena temperatura.

REGULATOR ZA IZBOR TEMPERATURE

Okrenite regulator temperature da odaberete temperaturu do 190°C. Temperatura se može prilagoditi u bilo kom trenutku.

POKLOPAC SA PROZOROM ZA NADZOR

Poklopac vaše friteze nalazi se na opružnoj šarci i jednostavno se „otvara“ jednim dodiranjem gumba. Pazite na hranu dok se kuva gledajući kroz prikladan prozor za nadzor.

ŽIČANA KORPA ZA PRŽENJE

Uklonjiva žičana korpa za prženje sa hladnom dodirnom ručkom omogućava bezbjedno dodavanje i uklanjanje hrane.

Prije uporabe

Očistite prije prve uporabe

1. Uklonite cjelokupno pakiranje i sve etikete i naljepnice. Pročitajte cijel upute.
2. Korpa za prženje i ručka nalaze se u uređaju. Pritisnite gumb za oslobađanje poklopca. Podignite ručku i uklonite korpu.
3. Nagnite poklopac naprijed i povucite da ga izvučete. **(SI.1)**
4. Operite ručku korpe, poklopac, korpu za prženje u vrućoj vodi sa sapunicom i dobro obrišite dok nije potpuno suho. Možete oprati odvojivi poklopac, ručku i korpu u perilici posuđa na gornjem stalku.
5. Operite fritezu unutra i spolja sa jednom kapi sapuna na vlažnoj krpi. Dobro isperite tkaninom ili papirnim ubrusom prije dodavanja ulja.

UPOZORENJE: NIKAKO NE STAVLJAJTE fritezu u perilic u posuda.

UPOZORENJE: Svi dijelovi friteze moraju biti potpuno suhi prije nego što napunite rezervoar uljem i koristite je.

UPOZORENJE: Obratite posebnu pažnju da odvojivi poklopac filtera i poklopac friteze budu suhi; u suprotnom, dolazi do opasnosti da para bude zarobljena unutar friteze prije uporabe.

SKLAPANJE I PUNJENJE REZERVOARA SA ULJEM

UPOZORENJE: Nikada ne uključujte fritezu u električnu utičnicu kada je rezervoar za ulje prazan.

1. Podignite ručku i uklonite korpu. **(SI.2)**
2. Sipajte ulje za kuhanje u rezervoar za ulje dok razina ulja nije između "MIN" i "MAX" crtica unutar rezervoara za ulje. Za najbolje rezultate neka ulje bude blizu "MAX" crtice. **NE**

PRELAZITE "MAX" razinu. (SI.3)

NAPOMENA: Koristite miješano biljno ulje, čisto kukuruzno ulje ili ulje kanole (uljane repice).

NEMOJTE koristiti maslinovo ulje, margarin, mast ili sok od pečenja.

KORIŠTENJE ČVRSTE MASNOĆE

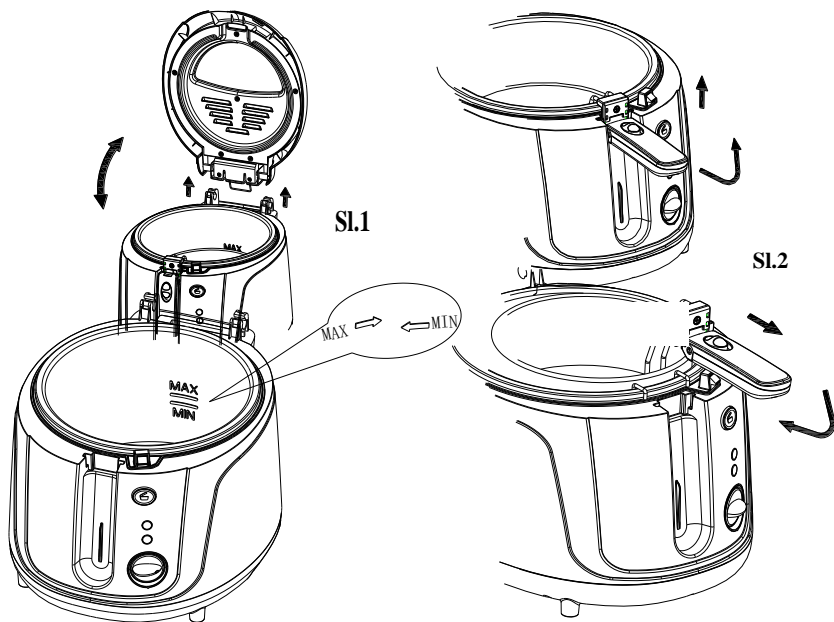
UPOZORENJE: NE PREPORUČUJE SE stavljanje čvrste masnoće u rezervoar sa uljem ili u korpu za prženje.

Ako koristite čvrstu biljnu masnoću, prvo je otopite u posebnoj šerpi ili tavi, a onda vrlo pažljivo sipajte otopljenu masnoću u rezervoar sa uljem.

NAPOMENA: Prethodno korištenu čvrstu biljnu masnoću, koja se zgrušala i stvrdnula u rezervoaru za ulje, treba ukloniti iz rezervoara za ulje i otopiti u odvojenoj tavi ili šerpi prije ponovne uporabe.

OPREZ: Ako pokušate da rastopite stvrdnutu masnoću u rezervoaru za ulje, postoji opasnost da naglo rastopljena masnoća prsne odozdo kroz čvrsti gornji sloj masti. Koristite samo sljedeću proceduru.

- Provjerite da li je mast zagrijana na sobnoj temperaturi. Ako je mast veoma hladna, veći je rizik od prskanja.
 - Vilicom pažljivo napravite par rupa u masti.
 - Provjerite da je poklopac uvijek čvrsto zatvoren.
 - Lagano zagrijevajte mast na najnižoj temperaturi.
3. Ubacite korpu i spušćite ručku pomijeranjem gumba unaprijed. Zatvorite poklopac. (SI.4)



Korištenje friteze

PRETHODNO ZAGRIJEVANJE

OPREZ: NE OSTAVLJAJTE bez nadzora dok je u funkciji.

VAŽNO: Uvijek koristite fritezu na ravnoj površini otpornoj na toplinu.

1. Zatvorite poklopac
2. Uvjerite se da su vam ruke suhe i priključite uređaj u električnu utičnicu.
3. Podesite regulator temperature na željenu temperaturu. Indikator spremnosti će se uključiti.

NAPUNITE KORPU ZA PRŽENJE

UPOZORENJE: Uvijek koristite korpu za prženje hrane.

UPOZORENJE: Uvijek pažljivo uklonite i zamijenite korpu za prženje.

1. Pritisnite gumb za oslobađanje poklopca da bi otvorili poklopac.
2. **NE PUNITE** korpu za prženje kada je uronjena u ulje. Uvijek držite korpu za hladnu dodirnu ručku.
3. Pažljivo stavite hranu u korpu za prženje. **NE PREPUNJUJTE.** Za optimalne rezultate i kraće vrijeme prženja, korpa treba da je napola puna.

NAPOMENA: Da bi se ravnomjerno ispržila, komadi hrane moraju biti iste veličine i debljine. Za deblje komade treba više vremena.

VAŽNO: Uvjerite se da je hrana koja se peče suha. Prevucite papirnim ubrusom ili čistom kuhinjskom krpom preko hrane ako je potrebno.

OPREZ: Prilikom prženja smrznute hrane obavezno očistite led iz hrane prije nego što ga stavite u korpu.

Ako to ne učinite, može doći do preliivanja friteze kada se hrana stavi u ulje.

UPOZORENJE: Uklonite korpu za prženje iz friteze prilikom punjenja jer će ulje prskati na sve strane i može izazvati opekotine. Za zamrznutu hranu, preporučuje se da hrana ne popuni više od 1/4 kapaciteta korpe.

PRŽENJE HRANE

OPREZ: Ulje je vrelo i može izazvati ozbiljne ozljede.

1. Polako i pažljivo spustite korpu u zagrijano ulje. Prebrzo spuštanje korpe može dovesti do preliivanja i prskanja ulja. **NEMOJTE** naglo ispustiti korpu u ulje za kuvanje.
2. Zatvorite poklopac prije prženja.

NAPOMENA: Normalno je da para izlazi sa strane friteze tijekom prženja.

UPOZORENJE: Izbjegavajte da stojite blizu friteze dok je u funkciji.

3. Koristite prozor za nadzor hrane. Kada je hrana gotova, odmaknite se od uređaja prije otvaranja poklopca kako bi se omogućilo da vruća para izađe.
4. Podignite korpu iz ulja i zakačite je na ivicu rezervoara za ulje da biste omogućili da se hrana ocijedi na minut.
5. Uklonite hranu iz korpe bilo hvataljkama ili prebacivanjem hrane u posudu za serviranje ili na tanjur prekriven papirnim ubrusima.
6. Ponovite postupak za preostalu hranu.
7. Kada završite sa uporabom friteze, okrenite regulator za temperaturu suprotno od smjera kazaljke na satu da biste isključili uređaj.
8. Isključite fritezu iz zidne utičnice i omogućite hlađenje od oko 2 sata prije nego što pokušate da uklonite ulje ili očistite fritezu.

UPOZORENJE: Nikada ne koristite kabel za napajanje da biste isključili fritezu.

UPOZORENJE: Nikada ne koristite fritezu za kuvanje vode.

SKLADIRANJE ILI PONOVA UPORABA ULJA ZA KUHANJE

NAPOMENA: Ulje ne mora da se mijenja nakon svake uporabe i može se koristiti dok ne potamni, dok nema ostataka hrane u njemu kao što su tijesto ili mrvice.

NAPOMENA: Ne preporučuje se skladiiranje ili ponovna uporaba ulja koje se koristi za prženje hrane koja sadrži dosta proteina, kao što je živinsko meso, meso ili riba. Kada se ulje koristi uglavnom za prženje krompira i filtrira se nakon svake uporabe, može se koristiti 8 do 10 puta, ali **NE KORISTITE** isto ulje duže od 6 mjeseci.

VAŽNO: Uvijek zamijenite ulje čim počne da se stvara pjena ili kada mu boja potamni, kada je užeglog okusa ili mirisa, ili kada postane sirupasto.

1. Vodite računa da friteza bude isključena, utikač izvučen iz utičnice i da se ohladila približno 4 sata prije nego što pokušate da uskladirate ulje.

2. Uklonite poklopac i korpu za prženje.
3. Koristeći lijevak, sipajte ulje iz stražnjeg kuta rezervoara kroz papirni filter ili žičanu cijediljku u posudu za skladiranje.

VAŽNO: Rezervoar za ulje se ne uklanja iz friteze.

4. Da bi ponovo koristili ovo ulje, samo ga sipajte nazad u rezervoar za ulje.

VAŽNO: NE MIJEŠAJTE različita ulja ili novo i staro ulje.

PREDLOŽENI VODIČ I SAVJETI ZA PRŽENJE

HRANA	VRIJEME KUHANJA	TEMP.
POMFRIT	6-9min	190°C
RIBLJI ŠTAPIĆI	3-6min	170°C
PILEĆI PRSTI	6-9min	190°C
KOMADI PILETINE	12-20min	150°C
PRŽENE TIKVICE	3-6min	130°C
PRŽENE GLJIVE	4-6min	130°C
KOLUTOVI CRNOG LUKA	3-6min	130°C
KROFNE	3-6min	130°C
PEČENE JABUKE	3-6min	130°C
ŠKAMPI	3-6min	130°C

PREDLOŽEN VODIČ PRŽENJA

NAPOMENA: Navedena vremena spremanja hrane odnose se samo na približno vrijeme potrebno da se isprži jedna napola puna korpa. Tačno vrijeme može se razlikovati zavisno od konkretne količine, ličnih preferenci pripremanja hrane, veličine i debljine komada, itd. Generalno, koristite niža podešavanja za delikatnu hranu (povrće, riba) i viša podešavanja za smrznutu hranu, pomfrit i piletinu.

SAVJETI ZA PRŽENJE

Za najbolje rezultate pripreme hrane, pratite ove korisne savjete:

- Da biste izbjegli pojavu kondenzacije na prozoru za nadzor, utrljajte malo ulja za kuhanje na prozor.
- **NE MIJEŠAJTE** različita ulja ili novo i staro ulje.
- Redovito mijenjajte ulje. Uopćeno govoreći, ulje koje se koristi za prženje hrane sa proteinima, kao što su živina, meso i riba, ne bi trebalo ponovo koristiti, a ako se ulje uglavnom koristi za prženje krompira i filtrira se nakon svake uporabe, može se koristiti 8 do 10 puta ali **NEMOJTE** koristiti isto ulje duže od 6 mjeseci.
- Uvijek zamijenite kompletno ulje kada počne da se pjenuje prilikom zagrijavanja, kada mu boja potamni, užeglog je mirisa ili okusa, ili postane sirupasto.
- Uvjerite se da je hrana koja se peče suha. Prevucite papirnim ubrusom ili čistom kuhinjskom

krpom preko hrane ako je potrebno.

- Da bi se ravnomjerno ispržili, komadi hrane moraju biti iste veličine i debljine. Za deblje komade treba više vremena.

Čišćenje i čuvanje friteze

UPUTE ZA ČIŠĆENJE

1. Vodite računa da friteza bude isključena, utikač izvučen iz utičnice i da se ohladila približno 4 sata.
2. Uklonite poklopac i korpu za prženje i operite u toploj vodi sa sapunicom. Dobro obrišite. Odvojivi poklopac i korpa mogu se prati u perilici posuđa na najvišem stalku.
3. Operite fritezu unutra (ako se ulje čuva u posebnoj posudi) i spolja kapljicom sapuna na vlažnoj kрпи.
4. Uklonite sapun samo vlažnom krpom.
5. Dobro osušite suhom krpom ili papirnim ubrusom.

UPOZORENJE: NE POTAPAJTE fritezu u vodu. Ne stavljajte fritezu u perilicu posuđa.

UPOZORENJE: NEMOJTE koristiti alkohol ili sredstva za čišćenje da očistite fritezu.

KAKO JE BEZBJEDNO ODLOŽITI

1. Vodite računa da friteza bude isključena, utikač izvučen iz utičnice, da je ohlađena i čista.
2. Čuvajte korpu u fritezi i zatvorite poklopac.
3. Čuvajte fritezu na ravnoj, suhoj površini okrenutu i neće biti opasna niti ozljediti nekoga ili oštetiti nešto.

Vodič za rješavanje problema

Rješavanje problema

Ako vaša friteza ne radi:

1. Vidite da li je utikač čvrsto uključen u električnu utičnicu.
2. Provjerite da li električna utičnica radi, isključite uređaj, provjerite kutiju osigurača ili kutiju sigurnosnih prekidača i zamijenite osigurač ili resetirajte prekidač prema potrebi, a zatim priključite ponovo jedinicu.
3. Ako se problem ne riješi, kontaktirajte Korisnički servis.

EKOLOŠKO ODLAGANJE



VOX
ELECTRONICS

BIH

MNE

KORISNIČKO UPUTSTVO FT - 5318



Pažljivo pročitajte korisničko uputstvo i sačuvajte ga za buduću upotrebu.

VAŽNA BEZBJEDONOSNA UPUTSTVA

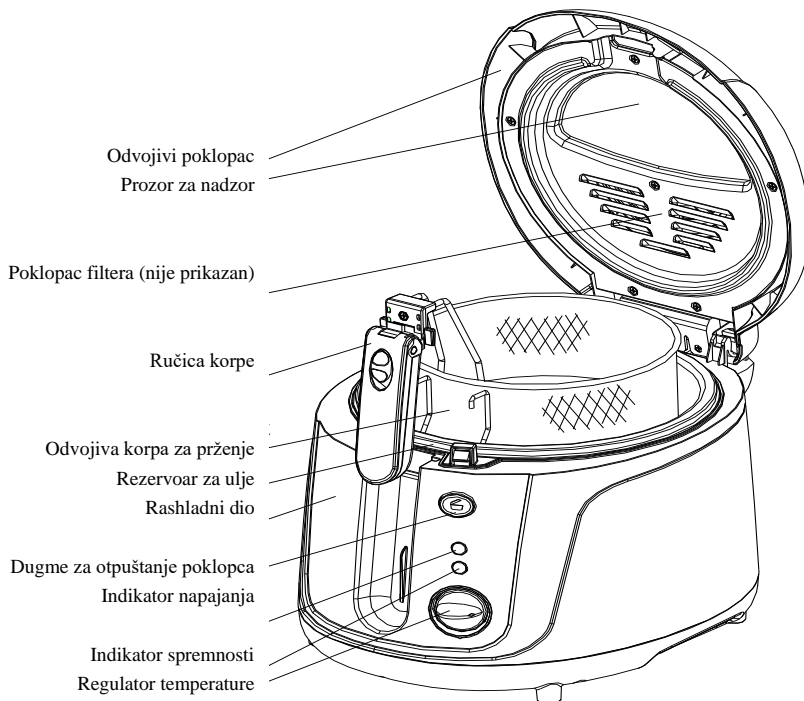
Prilikom korišćenja električnih uređaja, neophodno je ispratiti osnovne mjere bezbjednosti, uključujući i sljedeće:

1. Pročitajte sva uputstva.
2. Ne dodirujte vrelu površinu. Koristite drške i rukohvate.
3. Da bi se zaštitili od strujnog udara, ne potapajte kabl, utikače ili kućište u vodu ili drugu tečnost.
4. Neophodan je budan nadzor kada uređaj koriste djeca ili se koristi u blizini djece.
5. Kada se ne koristi i prije čišćenja, izvucite kabl iz napajanja. Prije bilo kakvog skidanja ili montiranja dijelova, i prije čišćenja, morate pustiti uređaj da se ohladi.
6. Ne stavljajte uređaj na meku radnu površinu ili sto pokriven stolnjakom, vodite računa da uređaj koristite na tvrdj radnoj površini.
7. Nije dozvoljeno korišćenje uređaja ukoliko je došlo do oštećenja kabla ili utikača ili poremećaja u radu uređaja, ili je na bilo koji način uređaj oštećen. Odnosite uređaj u najbliži servis na pregled, popravku ili podešavanje.
8. Upotreba dodataka koje nije preporučio proizvođač može prouzrokovati povrede.
9. Kabl za napajanje ne smije se ostaviti da visi preko ivice stola ili radne površine, ili da dodiruje vruće površine.
10. Nemojte koristiti ovaj uređaj kada mu nedostaje rezervoar za ulje, ulje ili bilo koji drugi materijal, ili kada nema dovoljno ulja.
11. Ne stavljajte uređaj na ili blizu zagrijane gasne ili električne peći ili u zagrijanu rernu.
12. Neophodan je maksimalan oprez kada se pomjera friteza koja sadrži vrelo ulje.
13. Nikada ne povežite fritezu sa izvorom električnog napajanja, a da prethodno ne stavite ulje u rezervoar sa uljem.
14. Ulje u rezervoaru sa uljem je još uvijek vrelo kada se uređaj isključi. Nikada ne pokušavajte da pomjerite fritezu dok se potpuno ne ohladi, podignite rezervoar za ulje koristeći drške.
15. Nikada ne prepunjujte fritezu uljem. Napunite samo između maksimalnog i minimalnog nivoa kao što je navedeno unutar rezervoara sa uljem.
16. Nemojte dodavati hranu sa kristalima leda ili hranu koja je vlažna u vrelo ulje.
17. Ovaj uređaj nije namijenjen upotrebi od strane osoba (uključujući djecu) sa smanjenim fizičkim, senzornim ili mentalnim sposobnostima, kao ni od strane osoba sa nedovoljnim iskustvom i znanjem,

osim ako im nije dodijeljen nadzor ili instrukcije koje se tiču upotrebe uređaja od strane osobe odgovorne za njihovu bezbjednost.

18. Djeca moraju biti pod nadzorom da se ne bi igrala sa uređajem.
19. Uređaj nije namijenjen za upotrebu preko daljinskog tajmera ili odvojenog sistema daljinskog upravljanja.
20. Nakon završetka prženja, uvijek podignite korpu i sačekajte nekoliko sekundi da se smanji pritisak pare.
21. Ne koristite uređaj za bilo koju vrstu upotrebe osim one za koju je namijenjen.
22. Ne koristite uređaj napolju.
23. Čuvajte uređaj unutra da biste spriječili kvar električnih dijelova.
24. **UPOZORENJE:** Ozbiljne opekotine od ulja mogu nastati kada se friteza povuče sa radne površine. Vodite računa da kabl za napajanje ne visi preko ivice radne površine gdje ga mogu dohvatiti djeca ili gdje se može upetljati sa korisnikom.

OPIS PROIZVODA



Karakteristike

INDIKATOR NAPAJANJA

Lampica svijetli kada je friteza uključena.

INDIKATOR SPREMNOSTI

Ova lampica se uključuje i isključuje nekoliko puta tokom zagrijavanja. Isključuje se kada se dostigne željena temperatura.

REGULATOR ZA IZBOR TEMPERATURE

Okrenite regulator temperature da odaberete temperaturu do 190°C. Temperatura se može prilagoditi u bilo kom trenutku.

POKLOPAC SA PROZOROM ZA NADZOR

Poklopac vaše friteze nalazi se na opružnoj šarci i jednostavno se „otvara“ jednim dodiranjem dugmeta. Pazite na hranu dok se kuva gledajući kroz prikladan prozor za nadzor.

ŽIČANA KORPA ZA PRŽENJE

Uklonjiva žičana korpa za prženje sa hladnom dodirnom ručkom omogućava bezbjedno dodavanje i uklanjanje hrane.

Prije upotrebe

Očistite prije prve upotrebe

1. Uklonite cjelokupno pakovanje i sve etikete i naljepnice. Pročitajte sva uputstva.
2. Korpa za prženje i drška nalaze se u uređaju. Pritisnite dugme za oslobađanje poklopca. Podignite dršku i uklonite korpu.
3. Nagnite poklopac naprijed i povucite da ga izvučete. **(SI.1)**
4. Operite dršku korpe, poklopac, korpu za prženje u vrućoj vodi sa sapunicom i dobro obrišite dok nije potpuno suvo. Možete oprati odvojivi poklopac, dršku i korpu u mašini za pranje sudova na gornjem stalku.
5. Operite fritezu unutra i spolja sa jednom kapi sapuna na vlažnoj krpi. Dobro isperite tkaninom ili papirnim ubrusom prije dodavanja ulja.

UPOZORENJE: NIKAKO NE STAVLJAJTE fritezu u mašinu za pranje sudova.

UPOZORENJE: Svi dijelovi friteze moraju biti potpuno suvi prije nego što napunite rezervoar uljem i koristite je.

UPOZORENJE: Obratite posebnu pažnju da odvojivi poklopac filtera i poklopac friteze budu suvi; u suprotnom, dolazi do opasnosti da para bude zarobljena unutar friteze prije upotrebe.

SKLAPANJE I PUNJENJE REZERVOARA SA ULJEM

UPOZORENJE: Nikada ne uključujte fritezu u električnu utičnicu kada je rezervoar za ulje prazan.

1. Podignite dršku i uklonite korpu. **(SI.2)**
2. Sipajte ulje za kuvanje u rezervoar za ulje dok nivo ulja nije između "MIN" i "MAX" crtica unutar rezervoara za ulje. Za najbolje rezultate neka ulje bude blizu "MAX" crtice. **NE PRELAZITE "MAX" nivo. (SI.3)**

NAPOMENA: Koristite miješano biljno ulje, čisto kukuruzno ulje ili ulje kanole (uljane repice).

NEMOJTE koristiti maslinovo ulje, margarin, mast ili sok od pečenja.

KORIŠĆENJE ČVRSTE MASNOĆE

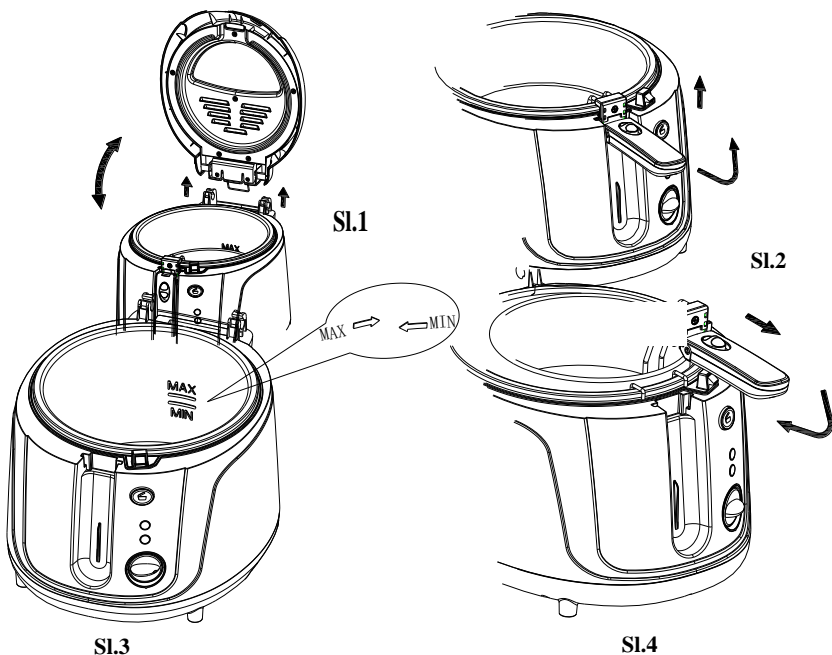
UPOZORENJE: NE PREPORUČUJE SE stavljanje čvrste masnoće u rezervoar sa uljem ili u korpu za prženje.

Ako koristite čvrstu biljnu masnoću, prvo je otopite u posebnoj šerpi ili tavi, a onda vrlo pažljivo sipajte otopljenu masnoću u rezervoar sa uljem.

NAPOMENA: Prethodno korišćenu čvrstu biljnu masnoću, koja se zgrušala i stvrdnula u rezervoaru za ulje, treba ukloniti iz rezervoara za ulje i otopiti u odvojenoj tavi ili šerpi prije ponovne upotrebe.

OPREZ: Ako pokušate da rastopite stvrdnutu masnoću u rezervoaru za ulje, postoji opasnost da naglo rastopljena masnoća prsne odozdo kroz čvrsti gornji sloj masti. Koristite samo sljedeću proceduru.

- Provjerite da li je mast zagrijana na sobnoj temperaturi. Ako je mast veoma hladna, veći je rizik od prskanja.
 - Viljuškom pažljivo napravite par rupa u masti.
 - Provjerite da je poklopac uvijek čvrsto zatvoren.
 - Lagano zagrijevajte mast na najnižoj temperaturi.
3. Ubacite korpu i spušćite ručku pomijeranjem dugmeta unaprijed. Zatvorite poklopac. (SI.4)



Korišćenje friteze

PRETHODNO ZAGRIJEVANJE

OPREZ: NE OSTAVLJAJTE bez nadzora dok je u funkciji.

VAŽNO: Uvijek koristite fritezu na ravnoj površini otpornoj na toplotu.

1. Zatvorite poklopac
2. Uvjerite se da su vam ruke suve i priključite uređaj u električnu utičnicu.
3. Podesite regulator temperature na željenu temperaturu. Indikator spremnosti će se uključiti.

NAPUNITE KORPU ZA PRŽENJE

UPOZORENJE: Uvijek koristite korpu za prženje hrane.

UPOZORENJE: Uvijek pažljivo uklonite i zamijenite korpu za prženje.

1. Pritisnite dugme za oslobađanje poklopca da bi otvorili poklopac.
2. **NE PUNITE** korpu za prženje kada je uronjena u ulje. Uvijek držite korpu za hladnu dodirnu ručku.
3. Pažljivo stavite hranu u korpu za prženje. **NE PREPUNJUJTE.** Za optimalne rezultate i kraće vrijeme prženja, korpa treba da je napola puna.

NAPOMENA: Da bi se ravnomjerno ispržila, komadi hrane moraju biti iste veličine i debljine. Za deblje komade treba više vremena.

VAŽNO: Uvjerite se da je hrana koja se peče suva. Prevucite papirnim ubrusom ili čistom kuhinjskom krpom preko hrane ako je potrebno.

OPREZ: Prilikom prženja smrznute hrane obavezno očistite led iz hrane prije nego što ga stavite u korpu.

Ako to ne učinite, može doći do preliivanja friteze kada se hrana stavi u ulje.

UPOZORENJE: Uklonite korpu za prženje iz friteze prilikom punjenja jer će ulje prskati na sve strane i može izazvati opekotine. Za zamrznutu hranu, preporučuje se da hrana ne popuni više od 1/4 kapaciteta korpe.

PRŽENJE HRANE

OPREZ: Ulje je vrelo i može izazvati ozbiljne povrede.

1. Polako i pažljivo spustite korpu u zagrijano ulje. Prebrzo spuštanje korpe može dovesti do preliivanja i prskanja ulja. **NEMOJTE** naglo ispustiti korpu u ulje za kuvanje.
2. Zatvorite poklopac prije prženja.

NAPOMENA: Normalno je da para izlazi sa strane friteze tokom prženja.

UPOZORENJE: Izbjegavajte da stojite blizu friteze dok je u funkciji.

3. Koristite prozor za nadzor hrane. Kada je hrana gotova, odmaknite se od uređaja prije otvaranja poklopca kako bi se omogućilo da vruća para izađe.
4. Podignite korpu iz ulja i zakačite je na ivicu rezervoara za ulje da biste omogućili da se hrana ocijedi na minut.
5. Uklonite hranu iz korpe bilo hvataljkama ili prebacivanjem hrane u posudu za serviranje ili na tanjir prekriven papirnim ubrusima.
6. Ponovite postupak za preostalu hranu.
7. Kada završite sa upotrebom friteze, okrenite regulator za temperaturu suprotno od smjera kazaljke na satu da biste isključili uređaj.
8. Isključite fritezu iz zidne utičnice i omogućite hlađenje od oko 2 sata prije nego što pokušate da uklonite ulje ili očistite fritezu.

UPOZORENJE: Nikada ne koristite kabl za napajanje da biste isključili fritezu.

UPOZORENJE: Nikada ne koristite fritezu za kuvanje vode.

SKLADIŠTENJE ILI PONOVA UPOTREBA ULJA ZA KUVANJE

NAPOMENA: Ulje ne mora da se mijenja nakon svake upotrebe i može se koristiti dok ne potamni, dok nema ostataka hrane u njemu kao što su tijesto ili mrvice.

NAPOMENA: Ne preporučuje se skladištenje ili ponovna upotreba ulja koje se koristi za prženje hrane koja sadrži dosta proteina, kao što je živinsko meso, meso ili riba. Kada se ulje koristi uglavnom za prženje krompira i filtrira se nakon svake upotrebe, može se koristiti 8 do 10 puta, ali **NE KORISTITE** isto ulje duže od 6 mjeseci.

VAŽNO: Uvijek zamijenite ulje čim počne da se stvara pjena ili kada mu boja potamni, kada je užeglog ukusa ili mirisa, ili kada postane sirupasto.

1. Vodite računa da friteza bude isključena, utikač izvučen iz utičnice i da se ohladila približno 4 sata prije nego što pokušate da uskladištite ulje.

2. Uklonite poklopac i korpu za prženje.
3. Koristeći lijevak, sipajte ulje iz zadnjeg ugla rezervoara kroz papirni filter ili žičanu cijediljku u posudu za skladištenje.
VAŽNO: Rezervoar za ulje se ne uklanja iz friteze.
4. Da bi ponovo koristili ovo ulje, samo ga sipajte nazad u rezervoar za ulje.

VAŽNO: NE MIJEŠAJTE različita ulja ili novo i staro ulje.

PREDLOŽENI VODIČ I SAVJETI ZA PRŽENJE

HRANA	VRIJEME KUVANJA	TEMP.
POMFRIT	6-9min	190°C
RIBLJI ŠTAPIĆI	3-6min	170°C
PILEĆI PRSTI	6-9min	190°C
KOMADI PILETINE	12-20min	150°C
PRŽENE TIKVICE	3-6min	130°C
PRŽENE GLJIVE	4-6min	130°C
KOLUTOVI CRNOG LUKA	3-6min	130°C
KROFNE	3-6min	130°C
PEČENE JABUKE	3-6min	130°C
ŠKAMPI	3-6min	130°C

PREDLOŽEN VODIČ PRŽENJA

NAPOMENA: Navedena vremena spremanja hrane odnose se samo na približno vrijeme potrebno da se isprži jedna napola puna korpa. Tačno vrijeme može se razlikovati zavisno od konkretne količine, ličnih preferenci pripremanja hrane, veličine i debljine komada, itd. Generalno, koristite niža podešavanja za delikatnu hranu (povrće, riba) i viša podešavanja za smrznutu hranu, pomfrit i piletinu.

SAVJETI ZA PRŽENJE

Za najbolje rezultate pripreme hrane, pratite ove korisne savjete:

- Da biste izbjegli pojavu kondenzacije na prozoru za nadzor, utrljajte malo ulja za kuvanje na prozor.
- **NE MIJEŠAJTE** različita ulja ili novo i staro ulje.
- Redovno mijenjajte ulje. Uopšteno govoreći, ulje koje se koristi za prženje hrane sa proteinima, kao što su živina, meso i riba, ne bi trebalo ponovo koristiti, a ako se ulje uglavnom koristi za prženje krompira i filtrira se nakon svake upotrebe, može se koristiti 8 do 10 puta ali **NEMOJTE** koristiti isto ulje duže od 6 mjeseci.
- Uvijek zamijenite kompletno ulje kada počne da se pjeni prilikom zagrijavanja, kada mu boja potamni, užeglog je mirisa ili ukusa, ili postane sirupasto.
- Uvjerite se da je hrana koja se peče suva. Prevucite papirnim ubrusom ili čistom kuhinjskom

krpom preko hrane ako je potrebno.

- Da bi se ravnomjerno ispržili, komadi hrane moraju biti iste veličine i debljine. Za deblje komade treba više vremena.

Čišćenje i čuvanje friteze

UPUTSTVA ZA ČIŠĆENJE

1. Vodite računa da friteza bude isključena, utikač izvučen iz utičnice i da se ohladila približno 4 sata.
2. Uklonite poklopac i korpu za prženje i operite u toploj vodi sa sapunicom. Dobro obrišite. Odvojivi poklopac i korpa mogu se prati u mašini za pranje sudova na najvišem stalku.
3. Operite fritezu unutra (ako se ulje čuva u posebnoj posudi) i spolja kapljicom sapuna na vlažnoj krpi.
4. Uklonite sapun samo vlažnom krpom.
5. Dobro osušite suvom krpom ili papirnim ubrusom.

UPOZORENJE: NE POTAPAJTE fritezu u vodu. Ne stavljajte fritezu u mašinu za sudove.

UPOZORENJE: NEMOJTE koristiti alkohol ili sredstva za čišćenje da očistite fritezu.

KAKO JE BEZBJEDNO ODLOŽITI

1. Vodite računa da friteza bude isključena, utikač izvučen iz utičnice, da je ohlađena i čista.
2. Čuvajte korpu u fritezi i zatvorite poklopac.
3. Čuvajte fritezu na ravnoj, suvoj površini okrenutu i neće biti opasna niti povrediti nekoga ili oštetiti nešto.

Vodič za rješavanje problema

Rješavanje problema

Ako vaša friteza ne radi:

1. Vidite da li je utikač čvrsto uključen u električnu utičnicu.
2. Provjerite da li električna utičnica radi, isključite uređaj, provjerite kutiju osigurača ili kutiju sigurnosnih prekidača i zamijenite osigurač ili resetujte prekidač prema potrebi, a zatim priključite ponovo jedinicu.
3. Ako se problem ne riješi, kontaktirajte Korisnički servis.

EKOLOŠKO ODLAGANJE



Dajte svoj doprinos očuvanju životne sredine!
Poštujte lokalne propise: odnesite električne uređaje koji se više ne koriste u odgovarajući centar za prihvatanje elektronskog otpada.



VOX
ELECTRONICS

MKD

КОРИСНИЧКО УПАТСТВО
FT - 5318



Темелно прочитајте го овој прирачник пред да ја користите фритезата и
зачувајте го за понатамошна референца

ВАЖНИ БЕЗБЕДНОСНИ ПРЕДУПРЕДУВАЊА

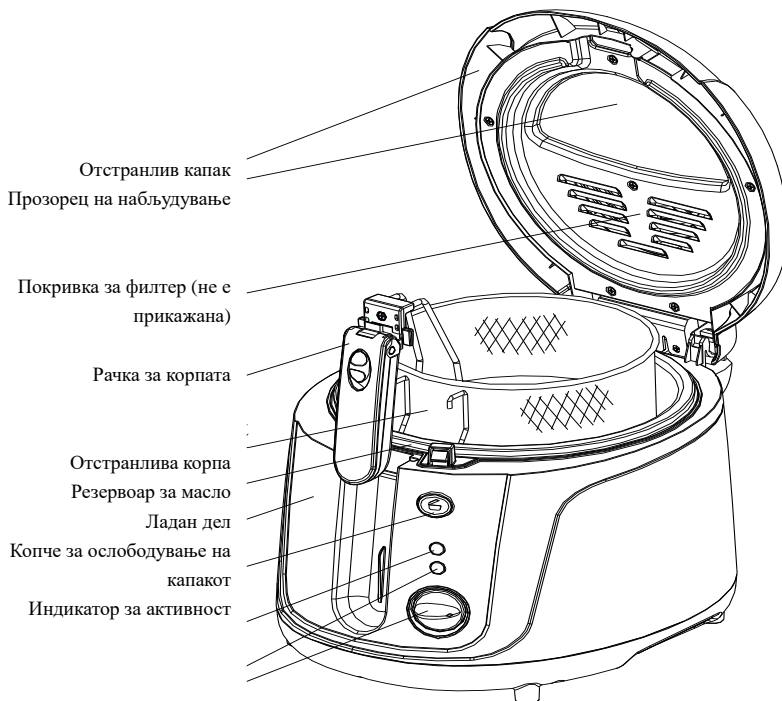
Кога користете електрични уреди, основни мерки на претпазливост треба да се земат во предвид, вклучувај ги следните:

1. Прочитајте ги сите инструкции пред употреба.
2. Не допирајте ги жешките површини. Користете ги рачките.
3. За да се заштитите од електричен шок не потопувајте го кабелот, приклучокот за струја, или кукиштето во вода или други течности.
4. Близок надзор е неопходен кога уредот се користи од страна или во близина на деца.
5. Исклучете го уредот од струја пред складирање или чистење. Дозволете уредот да се олади пред да додавате или отстранувате делови, и при чистење на уредот.
6. Не го поставувајте уредот на мека површина или на маса покриена со чаршаф, осигурете се дека уредот работи на цврста површина.
7. Не користете никаков уред со оштетен кабел или приклучок за струја или откако уредот здобие дефект, или е оштетен на било каков начин. Вратете го уредот во најблискиот авторизиран сервис центар за проверка, поправка или прилагодување.
8. Употребата на додатоци кои не се препорачани од производителот на уредот може да доведе до повреди.
9. Не дозволувајте кабелот да виси од маса или површината на која е поставен уредот, или да се допира до жешки површини.
10. Не го користете уредот без масло во резервоарот, масло или други материјали, или ако нивото на масло не е доволно.
11. Не поставувајте го блиску до гас, електрични печки, или во рерна.
12. Мора да се внимава многу кога се поместува фритеза што содржи топло масло.
13. Никогаш не поврзувајте ја фритезата со струја се додека не ставете масло во резервоарот.
14. Маслото во резервоарот ќе биде сеуште топло откако уредот ќе биде исклучен. Никогаш не пробувајте да ја поместувате вашата фритеза додека не се целосно олади.
15. Никогаш не ја преполнувајте со масло фритезата. Полнете само помеѓу минималното и максималното ниво, како што е наведено во внатрешноста на резервоарот за масло.
16. Не ставајте храна со ледени кристали, или ако е мокра во топлото масло.
17. Овој уред не е наменет за употреба од страна на лица (вклучувајќи и деца) со намалени физички, сензорни или ментални способности или со недостаток на искуство и знаење, освен ако тие се под надзор или имаат добиено инструкции за користење на уредот од страна на лице одговорно за нивната безбедност.
18. Децата треба да бидат под надзор за да тие не си играат со уредот.
19. Уредот не е наменет да се употребува со надворешни тајмери или посебни системи за далечинска контрола.
20. Кога ќе завршите со готвењето, секогаш подигнете ја корпата и почекајте неколку секунди за да дозволете да се ослободи пареата.
21. Не користете го уредот за цели надвор од неговата наменета функција.
22. Не користете го уредот на отворено.
23. Чувајте го уредот во затворен простор за да се спречи оштетување на електронските компоненти.
24. **ПРЕДУПРЕДУВАЊЕ:** Сериозни изгореници од топло масло може да резултираат од превртување на фритезата од површината на која е поставена. Не дозволувајте кабелот за напојување да виси од работ на масата, каде што може да го повлечат деца или да се заплетка со корисникот.

ЗАЧУВАЈТЕ ГИ ОВИЕ ИНСТРУКЦИИ

НАМЕНЕТ ЗА УПОТРЕБА САМО ВО ДОМАЌИНСТВА

ОПИС НА ПРОДУКТОТ



Функции

СВЕТЛОСЕН ИНДИКАТОР ЗА АКТИВНОСТ

Оваа светилка се вклучува кога уредот работи.

СВЕТЛОСЕН ИНДИКАТОР ЗА СПРЕМНОСТ

Оваа светилка ќе се вклучува и исклучува додека работи уредот. Ќе се исклучи кога избраната температура е постигната.

ПОТЕНЦИОМЕТАР ЗА ТЕМПЕРАТУРА

Заврете го потенциометарот за да изберете температура до 190°C. Температурата можете да ја поставувате со секое време.

ОТСТРАНЛИВ КАПАК СО ПРОЗОР ЗА НАБЉУДУВАЊЕ

Капакот на фритезата има шарка со пружина и погодено се “отвара” со притискање на копче. Набљудувајте го процесот на пржење користејќи го прозорот за набљудување. Капакот е отстранлив и безбедно можете да го миете во машина за садови.

ЖИЧЕНА КОРПА ЗА ПРЖЕЊЕ

Жичаната корпа за пржење со ладна рачка е погодна за лесно додавање и одземање на храна.

Пред употреба

Исчистете го уредот пред употреба

1. Отстранете го целиот материјал за пакување, налепници и/или натписи. Прочитајте го целото упатство.
2. Корпата за пржење и рачката се уредот. Притиснете го копчето за отворање на капакот. Подигнете ја рачката и отстранете ја корпата.
3. Навалете го капакот напред и повлечете го за да го отстраните. (Fig.1)
4. Измијте ја рачката на кошницата, капакот, кошницата за пржење во топла сапунеста вода и избришете го темелно, или можете капакот, корпата и рачката да ги измиете во машината за миење садови на горната решетка.
5. Измијте ја внатрешната и надворешната страна на фритезата со капка сапун на влажна крпа. Исплакнете темелно со сува крпа или хартиена крпа пред да додадете масло.

ПРЕДУПРЕДУВАЊЕ: НЕМОЈТЕ да ја ставате фритезата во машина за перење.

ПРЕДУПРЕДУВАЊЕ: Сите компоненти мора да бидат комплетно суви пред да го наполните резервоарот со масло и да започнете со употреба.

ПРЕДУПРЕДУВАЊЕ: Треба да се води посебна грижа за да се осигура дека капакот за отстранување на филтерот и капакот се суви; инаку пареата може да стане опасно заробена во фритезата за време на употребата.

СОСТАВУВАЊЕ И ПОЛНЕЊЕ НА РЕЗЕРВОАРОТ ЗА МАСЛО

ПРЕДУПРЕДУВАЊЕ: Никогаш го ја поврзувајте со струја фритезата доколку резервоарот за масло е празен.

1. Подигнете ја рачката и отстранете ја корпата. (Fig.2)
2. Ставете го маслото за готвење во резервоарот за масло, уверувајќи дека тоа е помеѓу линиите за полнење "Мин" и "Макс" во резервоарот за масло. За најдобри резултати, чувајте го нивото на масло близу до "МАХ". **НЕ НАДМИНУВАЈТЕ** го "МАХ" нивото. (Fig.3)

ЗАБЕЛЕШКА: Користете мешано растително масло, чисто масло од пченка или масло од канола (репка). **НЕ употребувајте** маслиново масло, маргарин, маст или маслени капки.

УПОТРЕБА НА ТВРДИ МАСТИ

ПРЕДУПРЕДУВАЊЕ: НЕ Е ПРЕПОРАЧЛИВО да се стави цврсти масти во резервоарот за масло или во кошница за пржење.

Ако користете цврсти зеленчукови масла, прво стопете ги во посебен сад, а потоа многу внимателно истурете ја стопената маст во резервоарот за масло.

ЗАБЕЛЕШКА: Претходно користеното стврднато масло од зеленчук, кое е стврднато во резервоарот за масло треба да се отстрани од резервоарот за масло и да се стопи во посебен сад пред повторно да се користи.

ВНИМАНИЕ: Ако се обидете да ја топите зацврстената маст во резервоарот за масло, постои ризик од топло стопена маст одеднаш да се распрска одоздола преку тврдиот слој на маснотии. Користете ја само следнава процедура.

- Осигурете се дека маснотиите се на собна температура. Ако маснотиите се ладни, тогаш постои поголем ризик од прскање.
 - Користејќи виљушка, внимателно направете дупчиња во маслото.
 - Осигурете се дека капакот е добро.
 - Полека загревајте ги масните на ниска температура.
3. Поставете ја корпата и спуштете ја рачката со лизгање на копчето напред. Затворете го

капакот. (Fig.4)

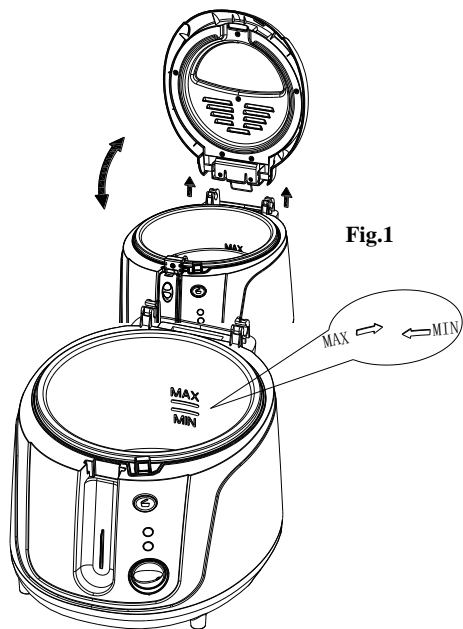


Fig.1

Fig.3

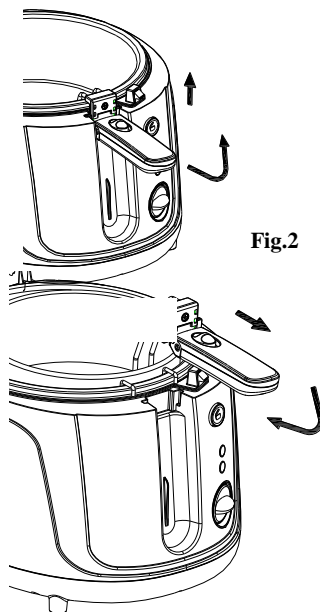


Fig.2

Fig.4

Користење на фритезата

ПРЕТХОДНО ЗАГРЕВАЊЕ

ВНИМАНИЕ: НЕ ЈА ОСТАВАЈТЕ фритезата без надзор додека работи.

ВАЖНО: Секогаш користете ја фритезата на рамна не запалива површина.

1. Затворете го капакот.
2. Со суви раце вклучете го приклучокот во штекерот.
3. Завртете го копчето на температура. Индикаторот за спремност ќе се вклучи.

НАПОЛНЕТЕ ЈА КОРПАТА ЗА ПРЖЕЊЕ

ПРЕДУПРЕДУВАЊЕ: Секогаш користете ја корпата за пржење.

ПРЕДУПРЕДУВАЊЕ: Секогаш внимателно отстранувајте и заменувајте ја корпата за пржење.

1. Притиснете го копчето за ослободување на капакот за да го отворите.
2. **НЕМОЈТЕ ДА ЈА** полните корпата за пржење додека е потопена во масло. Секогаш држете ја корпата за рачката која е ладна на допир.
3. Ставајте ја храната внимателно во корпата за пржење. **НЕМОЈТЕ** да ја преполнувате. За оптимални резултати и пократко време на пржење, корпата треба да биде полна до пола.

ЗАБЕЛЕШКА: За да готвите рамномерно, парчињата храна треба да бидат иста големина и дебелина. На подебелите парчиња им е потребно подолго време за да се зготват.

ВАЖНО: Осигурете се дека храната што сакате да ја приготвите е сува. Поставете ја храната на хартија или газа ако има потреба.

ВНИМАНИЕ: Кога пржите замрзната храна осигурете се дека на храната нема ледени кристали пред да ја ставите во корпата. Ако не го сторите тоа може да дојде до прелевање или прскање кога ќе ја ставите храната во фритезата.

ПРЕДУПРЕДУВАЊЕ: Отстранете ја корпата од фритезата додека ја полните бидејќи може да дојде до прскање и да предизвика изгореници. За замрзната храна, препорачано е корпата да се полни до 1/4.

ПРЖЕЊЕ ХРАНА

ВНИМАНИЕ: Маслото е многу жешко и може да предизвика сериозни повреди.

1. Полека и внимателно спуштајте ја корпата во маслото. Во случај на пребрзо спуштање може да дојде до прелевање или прскање на маслото. **НЕ ЈА** испуштајте корпата во маслото.

2. Затворете го капакот додека пржите.

ЗАБЕЛЕШКА: Нормално е во текот на пржењето од страните на капакот да излегува пареа.

ПРЕДУПРЕДУВАЊЕ: Избегнете да стоите премногу блиску до уредот додека работи.

3. Користете го прозорот за да ја набљудувате храната. Кога храната е готова, внимателно отстранете го капакот на фритезата, кревајќи го подалеку од вас, за да дозволите пареата да излезе пред целосно да го отстраните капакот.

4. Подигнете ја корпата над маслото и закачете ја на страната околу минута за да дозволите да се испеди маслото.

5. Отстранете ја храната од корпата со помош на штипка, или превртувајќи ја храната во сад за сервирање или чинија покриена со хартиена крпа.

6. Повтарајте ја процедурата за остатокот од храната.

7. Кога ќе завршите со употреба на фритезата, завртете го копчето за температура во спротивна насока од стрелките на часовникот до крај за да го исклучете уредот.

8. Исклучете го уредот од струја и почекајте околу 2 часа пред да се обидете да го отстранете маслото или да ја чистете фритезата.

ПРЕДУПРЕДУВАЊЕ: Никогаш не го користете кабелот за струја за да ја исклучите фритезата.

ПРЕДУПРЕДУВАЊЕ: Никогаш не ја користете вашата фритеза за вриење на вода.

СКЛАДИРАЊЕ ИЛИ ПОВТОРНА УПОТРЕБА НА МАСЛО ЗА ЈАДЕЊЕ

ЗАБЕЛЕШКА: Маслото не мора да се менува по секоја употреба и може да се користи додека не стане темно или не има делови од храна во него, како што се тесто или трошки од леб.

ЗАБЕЛЕШКА: Не е препорачливо да се чува или повторно користи масло кога ќе се пржи храна која содржи многу протеини (како живина, месо или риба). Кога маслото главно се користи за пржење компири и се филтрира по секоја употреба, може да се користи 8 до 10 пати, **НО** сепак не го користете истото масло подолго од 6 месеци.

ВАЖНО: Секогаш заменете го целото масло веднаш штом почне да прави пена кога ќе се загрее или кога бојата ќе стане темна, или кога има мирис или вкус или ќе стане во вид на сируп.

1. Осигурете се дека фритезата е исклучена, не е приклучена во струја и маслото не има изладено околу 4 часа пред да го складирате.

2. Отстранете го капакот и корпата.

3. Користејќи инка, истурете го маслото од задниот агол од резервоарот преку филтер за хартија или жичена цедка во контејнер за складирање.

ВАЖНО: Резервоарот за масло не е отстранлив од фритезата.

4. За да го повторно користете маслото, вратете го назад во резервоарот.

ВАЖНО: НЕМОЈТЕ да мешате различни масла или старо и ново масло.

Препорачан водич за пржење и совети

ХРАНА	ВРЕМЕ НА ГОТВЕЊЕ	ТЕМП.
ПОМФРИТ	6-9 мин.	190 °C
РИБНИ ФИЛЕТИ	3-6 мин.	170 °C
ПИЛЕШКИ ПРСТИ	6-9 мин.	190 °C
ПИЛЕШКИ ПАРЧИЊА	12-10 мин.	150 °C
ПРЖЕНИ ТИКВИЧКИ	3-6 мин.	130 °C
ПРЖЕНИ ПЕЧУРКИ	4-6 мин.	130 °C
КРОМИД	3-6 мин.	130 °C
КРОФНИ	3-6 мин.	130 °C
ЈАБОЛКОВИ ПИТИ	3-6 мин.	130 °C
РАКЧИЊА	3-6 мин.	130 °C

ПРИРАЧНИК И СОВЕТИ ЗА ПРЖЕЊЕ

ЗАБЕЛЕШКА: Следните времиња на готвење одразуваат само приближното време потребно за пржење на една половина полна корпа. Точното време може да биде различно во зависност од количината, личните параметри за готвење, големината и дебелината на парчињата. Во принцип, користете пониски температури за деликатна храна (зеленчук, риба) и повисоки за замрзната храна, помфрит и пилешко.

СОВЕТИ ЗА ПРЖЕЊЕ

За најдобри резултати во готвењето, забележете ги овие корисни совети:

- За да избегнете кондензација на прозорот, премачкајте го со малку масло за готвење.
- **НЕ** мешајте различни масла или стари и нови масла заедно.
- Менувајте го маслото регуларно. Најчесто, маслото ќе се загади за кратко време кога пржете во него високо протеинска храна (како живина, месо и риба). Кога маслото се користи исклучиво за пржење на компири и се филтрира после секоја употреба, може да се користи 8 до 10 пати, но **НЕМОЈТЕ** да го користите истото масло подолго од 6 месеци.
- Секогаш заменете го целото масло веднаш штом почне да прави пена кога ќе се загрее или кога бојата ќе стане темна, или кога има мирис или вкус или ќе стане во вид на сируп.
- Осигурете се дека храната што сакате да ја пржите е сува. Отстранете го ледот од замрзнатата храна пред пржење.
- Кога приготвувате замрзната храна за да готвите рамномерно, парчињата треба да бидат со иста големина и дебелина. Подебелите парчиња ќе треба подолго да се готват.

Чистење и складирање на вашата фритеза

ИНСТРУКЦИИ ЗА ЧИСТЕЊЕ

1. Осигурете се дека фритезата е исклучена, дека не е приклучена во струја и се има изладено околу 4 часа.
2. Отстранете ги капакот и корпата и ставете ги во топла сапунеста вода, потоа исушете ги темелно. Капакот може да се мие во машина за садови на горната решетка.
3. Измијте ја внатрешност (ако маслото се чува во друг контејнер) и од надвор фритезата со капка сапун и влажна крпа.
4. Исплакнете со ткаенина натопена само во вода.
5. Исушете темелно со ткаенина или хартиена крпа.

ПРЕДУПРЕДУВАЊЕ: НЕ ЈА потопувајте фритезата во вода. Не ја ставајте фритезата во машина за садови.

ПРЕДУПРЕДУВАЊЕ: НЕ користете алкохол или средства за чистење на фритезата.

КАКО ДА СЕ СКЛАДИРА БЕЗБЕДНО

1. Осигурете се дека вашата фритеза е исклучена, изладена и чиста.
2. Складирајте ја корпата во фритезата и затворете го капакот.
3. Складирајте ја вашата фритеза на ладно и суво место и на рамна површина, каде што не може лесно да се бутне и оштети или да повреди некого.

Прирачник за решавање проблеми

Решавање проблеми

Ако вашата фритеза престане да работи, следете ги следниве инструкции:

1. Осигурете се дека приклучокот за струја е добро приклучен во штекерот.
2. Осигурете се дека штекерот работи, исклучете го уредот, Ресетирајте го прекинувачот или заменете го осигурувачот, потоа приклучете го уредот повторно.
3. Ако не можете сами да го решите проблемот, контактирајте го центарот за услуга на корисници.

ЕКОЛОШКО ОТСТРАНУВАЊЕ



Можете да помогнете во заштитата на животната средина!

Ве молиме запомнете да ги почитувате локалните регулативи: предадете ги неисправните електрични уреди во соодветен центар за отстранување на отпадот.



VOX
ELECTRONICS

ALB

UDHËZIM PËR PËRDORIM
FT - 5318



Lexoni këtë udhëzim me kujdes para përdorimit dhe ruane për përdorim të mëtejshëm.

UDHËZIME TË RËNDËSISHME TË SIGURISË

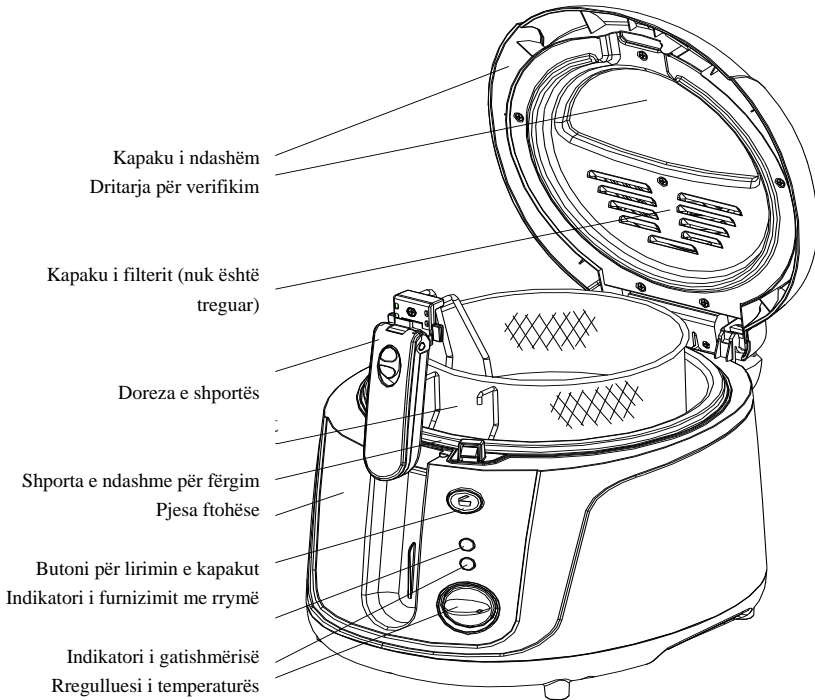
Gjatë përdorimit të pajisjeve elektrike, është domosdoshme që të ndiqni masat themelore të sigurisë, duke përfshirë si në vazhdim:

1. Lexoni të gjitha udhëzimet.
2. Mos e prekni sipërfaqen e nxehtë. Përdorni mbajtëset.
3. Për t'u mbrojtur nga goditja elektrike, mos e futni prizën ose shtëpizën në ujë ose në ndonjë lëng tjetër.
4. Nevojitet mbikëqyrje e vazhdueshme nëse pajisjen e përdorin fëmijët ose nëse përgatitet në afërsi të fëmijëve.
5. Nëse nuk jeni duke e përdorur pajisjen, para pastrimit hiqeni kabllin nga rryma. Para çdo heqje ose montimi të pjesëve, duhet ta lini pajisjen që të ftohet.
6. Mos e lini pajisjen në sipërfaqe të butë të punës ose mbi tavolinë të mbuluar me mbulesë, bëni kujdes që pajisjen ta përdorni në sipërfaqe të fortë pune.
7. Nuk lejohet përdorimi i pajisjes nëse është dëmtuar kablli ose priza ose nëse pajisja është çrregulluar, ose është dëmtuar në çfarëdo mënyre. Pajisjen dërgone në servisën më të afërt për verifikim, riparim ose montim.
8. Përdorimi i shtojcave të cilat nuk i ka rekomanduar prodhuesi mund të shkaktojnë lëndime.
9. Kabllin për furnizim nuk guxon ta lini që të varet nga tehu i tavolinës ose sipërfaqja e punës, ose të prekë sipërfaqet e ngrohta.
10. Mos e përdorni këtë pajisje nëse i mungon rezervoari i vajit ose çfarëdo materiali tjetër, ose kur nuk ka vaj të mjaftueshëm.
11. Mos e lini pajisjen në ose afër stufës elektrike ose me gaz ose në furrë të ngrohur.
12. Nevojitet kujdes maksimal nëse e lëvizni fritezën e cila përmban vaj të ngrohur.
13. Asnjëherë mos e lidhni fritezën me burim të energjisë elektrike, para se të vendosni vajin në rezervuarin e vajit.
14. Vaji në rezervuar është ende i ngrohtë kur të shkyqet pajisja. Asnjëherë mos e lëvizni fritezën deri sa të ftohet tërësisht, ngriteni rezervuarin për vaj duke e përdorur dorezën.
15. Asnjëherë mos e stërbushni fritezën me vaj. Mbusheni vetëm nivelin maksimal dhe minimal siç është shënuar brenda rezervuarit me vaj.
16. Mos e shtoni ushqimin me kristale të akullit ose të ushqimit që është i lagur në vaj të nxehtë.
17. Kjo pajisje nuk është e dedikuar për përdorim nga personat (duke përfshirë fëmijët) me aftësi të zvogëluara fizike, shqisore ose mendore, si dhe nga ana e personave me njohuri dhe përvoja të pamjaftueshme, përveç nëse kanë mbikëqyrje ose instruksione të cilat kanë të bëjnë me përdorimin e pajisjes nga ana e personave përgjegjës për sigurinë e tyre.
18. Fëmijët duhet të jenë nën mbikëqyrje që të mos luajnë me pajisjen.
19. Mos e përdorni pajisjen me anë të tajmerit të jashtëm ose ndonjë sistemi për menaxhim nga largë.
20. Pas përdorimit të fërgimit, gjithmonë hiqeni kapakun dhe pritni disa sekonda që të zvogëlohet presioni i avullit.
21. Mos e përdorni pajisjen për çarëdo lloji të përdorimit përveç për atë që është e dedikuar.
22. Mos e përdorni pajisjen në ambient të jashtëm.
23. Ruane pajisjen brenda për të parandaluar prishjen e pjesëve elektrike.
24. **VËREJTJE:** Mund të shkaktohen djegie serioze nga vaji kur friteza tërhiqet nga sipërfaqja e punës. Bëni kujdes që kablli për furnizim të mos lëvaret nga tehu i sipërfaqes së punës ku mund ta arrijnë fëmijët ose ku mund ta tërheqin përdoruesit.

RUANE KËTË UDHËZIM

VETËM PËR PËRDORIM SHTËPIAK

PËRSHRIMI I PAJISJES



Karakteristikat

INDIKATORI I ENERGJISË ELEKTRIKE

Llamba ndricon kur friteza është e kycur.

INDIKATORI I GATISHMËRISË

Kjo llambë kycet dhe shkyqet disa herë gjatë ngrohjes. Shkyqet kur të arrihet temperatura e dëshiruar.

RREGULLATORI PËR PËRZGJEDHJEN E TEMPERATURËS

Sillni rregullatorin e temperaturës që të përzgjidhni temperaturën deri më 190°C. Temperatura mund të rregullohet në çdo moment.

KAPAKU ME DRITAREN PËR MBIKËQYRJE

Kapaku i fritezës tuaj gjendet në menteshën e spirales dhe „hapet“ në mënyrë të thjeshtë me një prekje të butonit. Bëni kujdes për ushqimin deri sa të zihet deri sa të shikojë nëpërmjet dritares së mbikëqyrjes.

SHPORTA E TELIT PËR FËRGIM

Shporta e telit që hiqet për fërgim me dorezë të ftohtë mundëson që ushqimi të shtpjet dhe të largohet në mënyrë të sigurtë.

PARA PËRDORIMT

Pastrone para përdorimit

1. Largoni tërë paketimin dhe të gjitha etiketat dhe ngjitëset. Lexoni të gjitha udhëzimet.
2. Shporta për fërgim dhe mbajtësja gjenden në pajisje. Shtypni butonin për të liruar kapakun. Ngritni dorezën dhe largoni shportën.
3. Tërhiqni kapakun përpara dhe nxirreni jashtë. **(fot.1)**
4. Lane mbajtësen e shportës, kapakun për fërgim në ujë të ngrohtë me sapun dhe fshine mirë deri sa të thahet tërësisht. Mund ta lani kapakun e ndashëm, dorezën dhe shportën në makinën për larjen e enëve në mbajtësen e epërme.
5. Lane fritezën jashtë dhe brenda me një pikë sapuni në leckën e lagur. Lane mirë pëlhurën ose leckën e letrës para shtojcës së vajit.

VËREJTJE: KURSESI MOS E LINI fritezën në enëlarëse

VËREJTJE: Të gjitha pjesët e fritezës duhet të jenë tërësisht të thata para se të mbushni rezervuarin me vaj dhe para se ta përdorni.

VËREJTJE: Bëni kujdes të posacëm që pjesa e ndashme e kapakut të filterit dhe kapaku i fritezës të jenë të thata; në të kundërtën, vjen deri te rreziku që avulli të mbyllet brenda fritezës para përdorimit.

MONTIMI DHE MBUSHJA E REZERVUARIT ME VAJ

VËREJTJE: Asnjëherë mos e shkruqni fritezën në prizë kur rezervuari për vaj është i zbrazët.

1. Ngriteni mbajtësen dhe largoni shportën. **(fot.2)**
2. Derdhni vajin për zierje në rezervuarin për vaj deri sa niveli i vajit të jetë në mes të "MIN" dhe "MAX" viza brenda rezervuarit për vaj. Për rezultate më të mira vaji duhet të jetë afër vizës "MAX".
MOS E TEJKALONI nivelin "MAX". **(fot.3)**

VËREJTJE: Përdorni vaj të përzier bimor, vaj të pastër misri ose vaj të rrepës. **MOS** përdorni vaj bimor, margarinë ose dhjam.

PËRDORIMI I YNDYRNAVE TË NGURTA

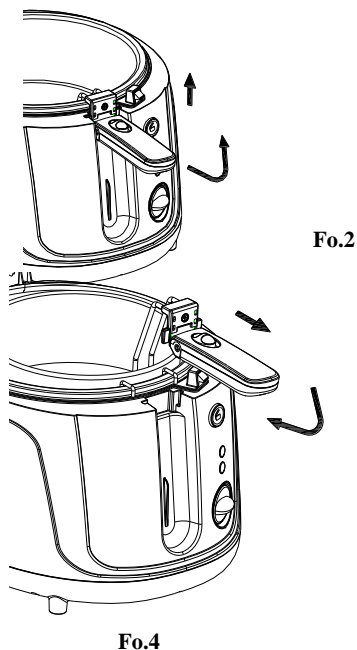
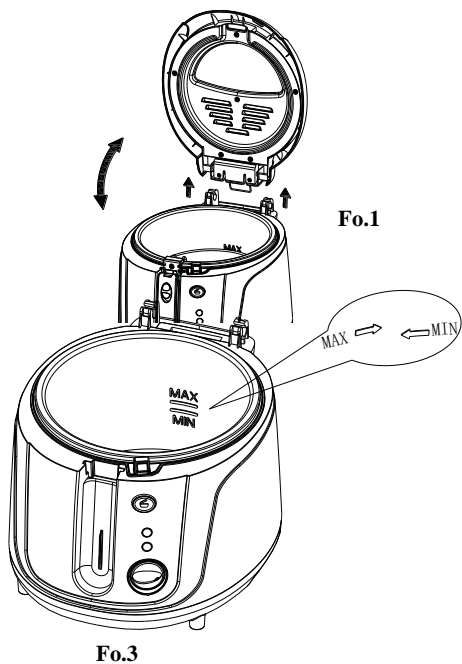
VËREJTJE: NUK REKOMANDOHET vendosja e yndyrave të forta në rezervuarin me vaj ose në shportën për fërgim.

Nëse përdorni yndyrë të fortë bimore, së pari shkrine yndyrën në fultere ose tenxhere të posacme, pastaj me shumë kujdes derdhni yndyrën e shkrirë në rezervuarin me vaj.

VËREJTJE: Yndyrën e ngurtë të përdorur paraprakisht, e cila është ngurtësuar dhe forcuar në rezervuarin për vaj, duhet hequr nga rezervuari për vaj dhe të shkrihet në fultere ose në tenxhere para përdorimit të sërishëm.

KUJDES: Nëse provoni që të shkrini yndyrën e ngurtësuar në rezervuarin për vaj, ekziston rreziku që yndyra e shkrirë shpejtë të pëlcasë në epërsi nëpërmjet shtresës së epërmë të fortë. Përdorni vetëm procedurën në vazhdim:

- Kontrolloni nëse yndyra e ngrohur në temperaturën e dhomës. Nëse yndyra është shumë e ftohtë, ekziston rreziku më i madh nga pëlçitja.
 - Me pirus, me kujdes bëni ca vrima në yndyrë.
 - Kontrolloni nëse kapaku është gjithmonë i përforcuar mirë.
 - Me kujdes ngroni yndyrën në temperaturën më të ulët.
3. Vendosni shportën dhe lëshoni dorezën duke e lëvizur butonin te para. Mbylleni kapakun. **(fot.4)**



Përdorimi i fritezës

NGROHJA PARAPRAKE

KUJDES: MOS e lini pa mbikëqyrje deri sa është në funksion.

ME RËNDËSI: Gjithmonë përdorni fritezën në sipërfaqe të rrafshët, rezistente ndaj nxehtësisë.

1. Mbylleni kapakun
2. Përkujdesuni që duart ti keni gjithnjë të terura dhe ngjiteni pajisjen në prizë elektrike.
3. Rregulloni temperaturën në nxehtësinë e duhur. Indikatorit i gatishmërisë do të shkyqet.

MBUSHNI SHPORTËN PËR FËRGIM

VËREJTJE: Gjithmonë përdorni shportën për fërgimin e ushqimit.

VËREJTJE: Gjithmonë me kujdes largoni dhe ndërroni shportën për fërgim.

1. Shtypni butonin për lirimin e kapakut për të hapur kapakun.
2. **MOS E MBUSHNI** shportën për fërgimkur të jetë e ftohtë në vaj. Gjithmonë kapeni shportën për dorezën e ftohtë.
3. Vendosni me kujdes ushqimin në shportën për fërgim.
4. **MOS E STËRMBUSHNI.** Për rezultate optimale dhe kohë më të shkurtër të fërgimit, shporta duhet të jetë e mbushur deri në gjysmë.

VËREJTJE: Në mënyrë që të fërgohen njësoj, copat e ushqimit duhet të jenë të madhësisë dhe trashësisë së njëjtë. Për copat më të mëdha nevojitet më shumë kohë.

ME RËNDËSI: Përkujdesuni që ushqimi i cili piqet të jetë i thatë. Kaloni me leckë të letrës ose me leckë kuzhine nëpër ushqim, nëse është e nevojshme.

KUJDES: Gjatë fërgimit të ushqimit të ngrirë, patjetër duhet të pastroni akullin nga ushqimi para se t'i vendosni në shportë. Nëse nuk e bëni këtë, mund të vijë deri te derdhja nga friteza, kur të vendoset ushqimi në vaj.

VËREJTJE: Largoni shportën për fërgim nga friteza gjatë mbushjes sepse vaji do të spërkatë në të gjitha

anët dhe mund të shkaktojë djegie. Për ushqimin e ngrirë, rekomandohet që ushqimi most ë tejkalojë më shumë se 1/4 e kapacitetit të shportës.

FËRGIMI I USHQIMIT

VËREJTJE: Vaji është i ngrohtë dhe mund të shkaktojë lëndime serioze.

1. Ngadalë dhe me kujdes lëshoni shportën në vaj të nxehtë. Vendosja e shportës me shpejtësi mund të shkaktojë derdhjen dhe spërkatjen e vajit. **MOS** e lëshoni me shpejtësi shportën në vajin për zierje.
2. Mbylleni kapakun para fërgimit.
VËREJTJE: Është normale që avulli të dalë në anët e fritezës gjatë fërgimit.
VËREJTJE: Mos qëndroni afër fritezës deri sa është në funksion.
3. Përdorni dritaren për mbikëqyrjen e ushqimit. Kur të jetë përgatitur ushqimi, para hapjes së kapakut largohuni që të dalë avulli i nxehtë.
4. Ngriteni shportën nga vaji dhe vendoseni në skajin e rezervuarit për vaj për të mundësuar që ushqimi të kullohet për një minutë.
5. Largoni ushqimin nga shporta me kapëse ose duke e vendosur ushqimin në enën për servirje ose në pjatë të mbuluar me leckë letre.
6. Përsëritni veprimin me ushqimin e mbetur.
7. Kur të përfundoni me përdorimin e fritezës, silleni rregulatorin e temperaturës në anën e kundërt nga akrepat e orës për të shkyqur pajisjen.
8. Shkyqeni fritezën nga prizat e murit dhe mundësoni ftohejn rreth 2 orë para se të provoni të hiqni vajin ose të pastroni fritezën.

VËREJTJE: Asnjëherë mos e përdorni kabllin për furnizim për të shkyqur fritezën.

VËREJTJE: Asnjëherë mos e përdorni fritezën për zierjen e ujit.

RUAJTJA OSE PËRDORIMI I SËRISHËM I VAJIT PËR ZIERJE

VËREJTJE: Vaji nuk duhet të ndërrohet pas çdo përdorimi dhe mund të përdoret deri sa të errësohet, deri sa nuk ka mbeturina të ushqimit në të, sic janë brumi ose grimcat.

VËREJTJE: Nuk rekomandohet ruajtja ose përdorimi i sërishëm i vajit që përdoret për fërgimin e ushqimit që përmban mjaft proteina, sic është mishi i pulës, mishi i gjedhit ose peshku. Kur të përdoret vaji kryesisht për fërgimin e patateve dhe filtrohet pas çdo përdorimi, mund të përdoret 8 deri 10 herë, por **MOS E PËRDORNI** vajin e njëjtë më gjatë se 6 muaj.

ME RËNDËSI: Gjithmonë ndërroni vajin deri sa të fillojë që të krijohet shkuma ose kur të errësohet ngjyra, kur të ketë shije ose erë të djegur, ose kur të bëhet si shurup.

1. Bëni kujdes që friteza të jetë e shkyqur, kablli i hequr nga prize dhe të jetë ftohur 4 orë para se të vendosni vajin për ruajtje.
2. Largoni kapakun dhe shportën për fërgim.
3. Duke e përdorur levën, hidhni vajin nga këndi i prapëm i rezervuarit nëpër filter të letres ose nëpër kullonjëse të telit në enën për ruajtje.

ME RËNDËSI: Rezervuari për vaj nuk hiqet nga friteza.

4. Për të përdorur vajin përsëri, vetëm lidhni në rezervuarin për vaj.

ME RËNDËSI: **MOS PËRZIENI** Vajra të ndryshme ose vajin e vjetër dhe të ri.

UDHËZUESI I REKOMANDUAR DHE KËSHILLA PËR FËRGIM

USHQIMI	KOHA E PËRGATITJES	TEMPERATURA
POMFRIT	6-9min	190°C
FILE PESHKU	3-6min	170°C
GISHTËRINJ PULE	6-9min	190°C
COPA MISHI TË PULËS	12-20min	150°C
KUNGULLESHKA TË FËRGUARA	3-6min	130°C
KËRPUDHA TË FËRGUARA	4-6min	130°C
RRATHË QEPE	3-6min	130°C
KRAFNE	3-6min	130°C
MOLLË TË PJEKURA	3-6min	130°C
POMFRIT	3-6min	130°C

UDHËZUESI I REKOMANDUAR I FËRGIMIT

VËREJTJE: Kohët e dhëna të përgatitjes së ushqimit kanë të bëjnë vetëm me kohën e përafërt që të fërgohet një shportë e mbushur deri në gjysmë. Koha e saktë mund të dallohet varësisht nga sasia konkrete, preferencat personale të përgatitjes së ushqimit, madhësia dhe trashësia e copave, etj. Në përgjithësi, përdorni temperature më të ulëta për ushqim delikat (perime, peshk) dhe temperature më të larta për ushqim të ngrirë, pomfrit dhe mish pule.

KËSHILLA PËR FËRGIM

Për rezultate më të mira të përgatitjes së ushqimit, ndiqni këto këshilla të rëndësishme:

- Për të shmangur paraqitjen e kondenzimit në dritaren për mbikëqyrje, fërkoni pak vaj për zierje në dritare.
- **MOS PËRZIENI** vajra të ndryshme ose vajin e ri dhe të vjetër.
- Ndërroni vajin rregullisht. Thënë në përgjithësi, vaji i cili përdoret për fërgimin e ushqimit me proteina, sic është mishi i pulës, mishi i peshkut nuk duhet të përdoret përsëri, kurse nëse vaji përdoret kryesisht për fërgimin e patateve dhe filtrohet pas çdo përdorimi, mund të përdoret 8 deri 10 herë por **MOS** përdorni vajin e njëjtë më gjatë se 6 muaj.
- Gjithmonë ndërroni vajin komplet kur të fillojë të shkuhohet gjatë ngrohjes, kur të errësohet ngjyra, kur të marrë erë ose shije djegie ose kur të bëhet si shurup.

- Pëkjudesuni që ushqimi i cili piqet të jetë i thatë. Kaloni me leckë të letres ose me leckë të pastër nëpër ushim nëse është e nevojshme.
- Në mënyrë që të piqet njësoj, copat e ushqimit duhet të kenë madhësi dhe trashësi të njëjtë. Për copët e trasha nevojitet më shumë kohë.

Pastrimi dhe ruajtja e fritezës

UDHËZIME PËR PASTRIM

1. Bëni kujdes që friteza të jetë e shkyqur, kablli të jetë i hequr nga prize dhe të ftohet afërsisht 4 orë.
2. Largoni kapakun dhe shportën për fërgim dhe lane në ujë të ngrohtë me sapun. Fshine mirë.. Kapaku i ndashëm dhe shporta mund të lahen në enëlarëse në mbajtësen më të lartë.
3. Lani friteznë përbrenda (nëse vaji ruhet në enë të posacme) dhe në anën e jashtme me një pikë sapuni dhe me leckë të lagur.
4. Largoni sapunin vetëm me leckë të lagur.
5. Thane mirë me leckë të thatë ose me leckë letre.

VËREJTJE: MOS E LAGNI fritezën me ujë. Mos e lini fritezën në enëlarës.

VËREJTJE: MOS përdorni alkool ose mjete për pastrim që të pastroni fritezën.

SI TË RUHET NË MËNYRË TË SIGURTË

1. Bëni kujdes që friteza të jetë e shkyqur, kablli i hequr nga priza, friteza e ftohur dhe e pastruar.
2. Ruani shportën në fritezë dhe mbylleni kapakun.
3. Ruani fritezën në sipërfaqe të rrafshët, të thatë, të kthyer mbrapsht dhe nuk do të jetë e rrezikshme dhe nuk do të lëndojë dikë ose nuk do të dëmtojë diçka.

Udhëzuesi për zgjidhjen e problemeve

Zgjidhja e problemeve

Nëse friteza juaj nuk punon:

1. Shikoni nëse kablli është future në prizë elektrike.
2. Kontrolloni nëse priza elektrike punon, shkyqeni pajisjen, kontrolloni kutinë e siguresës ose kutinë e ndërprerësve të sigurisë dhe ndërroni siguresat ose rivendosni ndërprerësin sipas nevojës, pastaj kyqeni njësinë përsëri.
3. Nëse problemi nuk zgjidhet, kontaktoni Servisin e përdoruesit.

DEPONIMI EKOLOGJIK



Jepni kontributin tuaj për ruajtjen e ambientit jetësor!
Respektoni rregullat lokale: dërgoni pajisjet elektrike të cilat më nuk i përdorni në qendrën e duhur për pranimin e mbeturinave elektrike.

