



ENG

SRB

MKD

ср

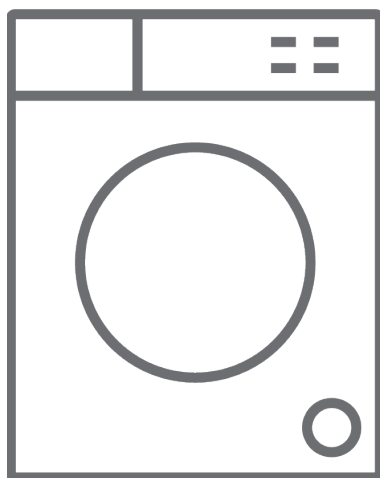
HRV

PT

OPERATING INSTRUCTIONS WASHING MACHINE  
UPUTSTVO ZA UPOTREBU MAŠINA ZA PRANJE VEŠA  
УПАТСТВА ЗА РАКУВАЊЕ МАШИНА ЗА ПЕРЕЊЕ  
NAVODILA ZA UPORABO PRALNI STROJ  
UPUTE ZA UPORABU PERILICA RUBLJA  
MANUAL DE INSTRUÇÕES MÁQUINA DE LAVAR ROUPA



**EN** Washing Machine / User Manual








**WM1495-YT1QD**

## Thank you for choosing this product.

This User Manual contains important safety information and instructions on the operation and maintenance of your appliance.

Please take the time to read this User Manual before using your appliance and keep this book for future reference.

Icon	Type	Meaning
	<b>WARNING</b>	Serious injury or death risk
	<b>RISK OF ELECTRIC SHOCK</b>	Dangerous voltage risk
	<b>FIRE</b>	Warning; Risk of fire / flammable materials
	<b>CAUTION</b>	Injury or property damage risk
	<b>IMPORTANT / NOTE</b>	Operating the system correctly

# CONTENTS

<b>1.SAFETY INSTRUCTIONS</b> .....	<b>1</b>
1.1 General Safety Warnings .....	2
1.2 During Use .....	6
1.3 Packaging and Environment.....	7
1.4 Savings Information.....	7
<b>2.TECHNICAL SPECIFICATIONS</b> .....	<b>9</b>
2.1 Technical Specifications .....	9
<b>3.INSTALLATION</b> .....	<b>10</b>
3.1 Removing the Transit Bolts.....	10
3.2 Adjusting the Feet / Adjusting Adjustable Stays.....	10
3.3 Electrical Connection.....	10
3.4 Water Inlet Hose Connection.....	11
3.5 Water Discharge Connection.....	12
<b>4.CONTROL PANEL OVERVIEW</b> .....	<b>12</b>
4.1 Detergent Drawer .....	12
4.2 Sections .....	13
4.3 Program Dial.....	13
4.4 Electronic Display .....	13
<b>5.USING YOUR WASHING MACHINE</b> .....	<b>14</b>
5.1 Preparing Your Laundry.....	14
5.2 Putting Laundry in the Machine.....	14
5.3 Adding Detergent to the Machine .....	15
5.4 Operating Your Machine .....	15
5.5 Selecting a Programme.....	15
5.6 Half-Load Detection System.....	15
5.7 Additional Functions .....	16
5.8 Child Lock .....	17
5.9 Cancelling the Programme .....	17
5.10 Programme End .....	17
<b>6.PROGRAMME TABLE</b> .....	<b>18</b>
6.1 Important Informations.....	21
<b>7.CLEANING AND MAINTENANCE</b> .....	<b>22</b>
7.1 Warning .....	22
7.2 Water Inlet Filters .....	22
7.3 Pump Filter .....	23
7.4 Detergent Drawer .....	23
<b>8.Body / Drum</b> .....	<b>24</b>
<b>9.TROUBLESHOOTING</b> .....	<b>25</b>
<b>10.AUTOMATIC FAULT WARNINGS AND WHAT TO DO</b> .....	<b>26</b>



# 1. SAFETY INSTRUCTIONS

Operating voltage / frequency	(220-240) V~/50Hz
Total current (A)	10
Water pressure (Mpa)	Maximum 1 Mpa / Minimum 0. 1Mpa
Total power (W)	2200
Maximum washing capacity (dry laundry) (kg)	9

- Do not install your machine on a carpet or such grounds that would prevent the ventilation of its base.
- The appliance is not intended for use by people (including children) with reduced physical, sensory or mental capabilities, or lack of experience and knowledge unless they have been given supervision or instruction concerning use of the appliance by a person responsible for their safety.
- Children of less than 3 years should be kept away unless continuously supervised.
- Call the nearest authorized service centre for a replacement if the power cord malfunctions.
- Use only the new water inlet hose coming with your machine when making water inlet connections to your machine. Never use old, used or damaged water inlet hoses.
- Children should not play with the appliance. Cleaning and user maintenance should not be made by children without supervision.

**NOTE:** For a softcopy of this user manual, please contact the following address: “washingmachine@standardtest.info”. In your e-mail, please provide the model name and serial number (20 digits) which you can find on the appliance door.

**Read this user manual carefully.**

**Your machine is for domestic use only. Using it for commercial purposes will cause your warranty to be cancelled.**



**This manual has been prepared for more than one model therefore your appliance may not have some of the features described within. For this reason, it is important to pay particular attention to any figures whilst reading the operating manual.**

## **1.1 General Safety Warnings**


- The necessary ambient temperature for operation of your Washing Machine is 15-25 °C.
- Where the temperature is below 0 °C, hoses may split or the electronic card may not operate correctly.
- Please ensure that garments loaded into your Washing Machine are free from foreign objects such as nails, needles, lighters and coins.
- **It is recommended that for your first wash, you select the 90° Cotton programme without laundry and half fill compartment II of the detergent drawer with a suitable detergent.**
- Residue may build up on detergent and softeners

exposed to air for a long period of time. Only put softener or detergent in the drawer at the beginning of each wash.

- Unplug your Washing Machine and switch off the water supply if the Washing Machine is left unused for a long time. We also recommend that you leave the door open to prevent build up of humidity inside the Washing Machine.
- Some water may be left in your Washing Machine as a result of quality checks during production. This will not affect the operation of your Washing Machine.
- The packaging of the machine could be hazardous to children. Do not allow children to play with the packaging or small parts from the Washing Machine.
- Keep the packaging materials in a place where children cannot reach them, or dispose of them appropriately.
- Use pre-wash programs only for very dirty laundry.

 Never open the detergent drawer while the machine is running.

- In the event of a breakdown, unplug the machine from the mains supply and turn the water supply off. Do not attempt to carry out any repairs. Always contact an authorised service agent.
- Do not exceed the maximum load for the washing programme you have chosen.

 Never force the door open when your Washing Machine is running.

- Washing laundry containing flour may damage

your machine.

- Please follow the manufacturers' instructions regarding the use of fabric conditioner or any similar products that you intend to use in your Washing Machine.
- Make sure that the door of your Washing Machine is not restricted and can be opened fully.

Install your machine in a location that can be fully ventilated and preferably has constant air circulation.

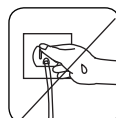
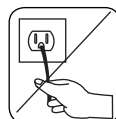
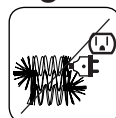
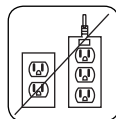
**⚠️ Read these warnings. Follow the advice given to protect yourself and others from risks and fatal injuries.**

## **RISK OF BURNS**

**⚠️** Do not touch the drain hose or any discharged water while your Washing Machine is running. The high temperatures involved pose a burn risk.

## **⚠️⚡ RISK OF DEATH FROM ELECTRICAL CURRENT**

- Do not connect your Washing Machine to the mains electricity supply using an extension lead.
- Do not insert a damaged plug into a socket.
- Never remove the plug from the socket by pulling the cord. Always hold the plug.
- Never touch the power cord/plug with wet hands as this could cause a short circuit or electric shock.
- Do not touch your Washing Machine if your hands or feet are wet.
- A damaged power cord/plug can cause fire or give you an electric shock. When damaged



it must be replaced, this should only be done by qualified personnel.

### **Risk of flooding**

- Check the speed of water flow before placing the drain hose in a sink.
- Take necessary measures to prevent the hose from slipping.
- Water flow may dislodge the hose if it is not properly secured. Make sure the plug in your sink does not block the plug hole.

### **Danger of Fire**

- Do not store inflammable liquids near your machine.
- The sulphur content of paint removers may cause corrosion. Never use paint removing materials in your machine.
- Never use products that contain solvents in your machine.
- Please ensure that garments loaded into your Washing Machine are free from foreign objects such as nails, needles, lighters and coins.

### **Risk of fire and explosion**

#### **Risk of falling and injury**

- Do not climb on your Washing Machine.
- Make sure hoses and cables do not cause a trip hazard.
- Do not turn your Washing Machine upside down or on its side.
- Do not lift your Washing Machine using the door or detergent drawer.

**⚠ The machine must be carried by at least 2 people.**



**⚠ Child safety**

- Do not leave children unattended near the machine. Children might lock themselves in the machine resulting in risk of death.
- Do not allow children to touch the glass door during operation. The surface becomes extremely hot and may cause damage to skin.
- Keep packaging material away from children.
- Poisoning and irritation may occur if detergent and cleaning materials are consumed or come into contact with the skin and eyes. Keep cleaning materials out of the reach of children.




## **1.2 During Use**

- Keep pets away from your machine.
- Please check the packaging of your machine before installation and the outer surface of the machine once the packaging has been removed. Do not operate the machine if it appears damaged or if the packaging has been opened.
- Your machine must only be installed by an authorised service agent. Installation by anyone other than an authorised agent may cause your warranty to be void.
- This appliance can be used by children aged 8 years and above and persons with reduced physical, sensory or mental capabilities or lack of experience and knowledge if they have been given supervision or instruction concerning use of the appliance in a safe way and understand the

hazards involved. Children shall not play with the appliance. Cleaning and user maintenance shall not be done by children without supervision.

- Only use your machine for laundry that is labelled as suitable for washing by the manufacturer.
- **Before operating the washing machine, remove the 4 transit bolts and rubber spacers from the rear of the machine. If the bolts are not removed they may cause heavy vibration, noise and malfunction of the machine and cause the guarantee to be void.**
- Your warranty does not cover damage caused by external factors such as fire, flooding and other sources of damage.
- Please do not throw away this user manual; keep it for future reference and pass it onto the next owner.

 **NOTE:** Specifications for the machine may vary depending on the product purchased.

## 1.3 Packaging and Environment

### Removal of packaging materials

Packaging materials protect your machine from any damage that might occur during transportation. The packaging materials are environmentally friendly as they are recyclable. Use of recycled material reduces raw material consumption and decreases waste production.

## 1.4 Savings Information

Some important information to get the most efficient use out of your machine:

- Do not exceed the maximum load for the washing

programme you have chosen. This will allow your machine to run in energy saving mode.

- Do not use the pre-wash feature for lightly soiled laundry. This will help you save on the amount of electricity and water consumed.

#### **CE Declaration of conformity**

We declare that our products meet the applicable European Directives, Decisions and Regulations and the requirements listed in the standards referenced.

#### **Disposal of your old machine**

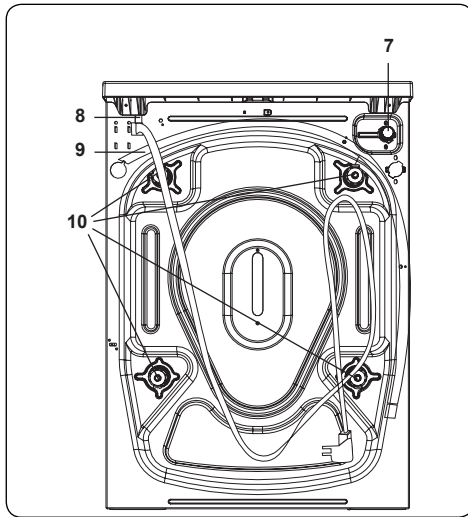
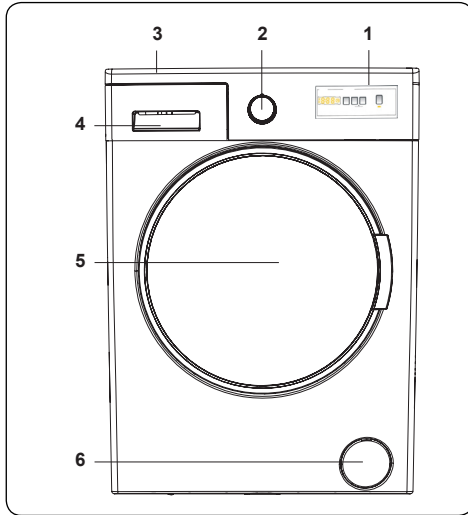


The symbol on the product or on its packaging indicates that this product may not be treated as household waste. Instead it shall be handed over to the applicable collection point for the recycling of electrical and electronic equipment. By ensuring this product is disposed of correctly, you will help prevent potential negative consequences for the environment and human health, which could otherwise be caused by inappropriate waste handling of this product. For more detailed information about recycling of this

product, please contact your local city office, your household waste disposal service or the shop where you purchased the product.



## 2. TECHNICAL SPECIFICATIONS



### General Appearance

1. Electronic Display
2. Programme Dial
3. Upper Tray
4. Detergent Drawer
5. Drum
6. Pump Filter Cover
7. Water Inlet Valve
8. Power Cable
9. Discharging Hose

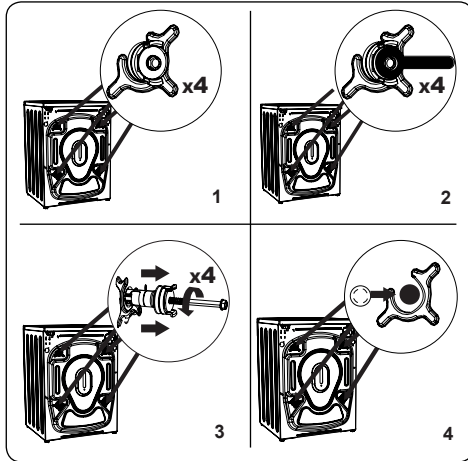
## 10. Transit Bolts

### 2.1 Technical Specifications

Operating voltage / frequency (V/Hz)	(220-240) V~/50Hz
Total current (A)	10
Water pressure (Mpa)	Maximum: 1 Mpa Minimum : 0.1 Mpa
Total power (W)	2200
Maximum dry laundry capacity (kg)	9
Spinning revolution (rev / min)	1400
Programme number	15
Dimensions (mm)	
Height	845
Width	597
Depth	582

### 3. INSTALLATION

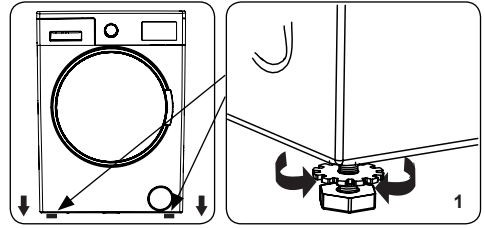
#### 3.1 Removing the Transit Bolts



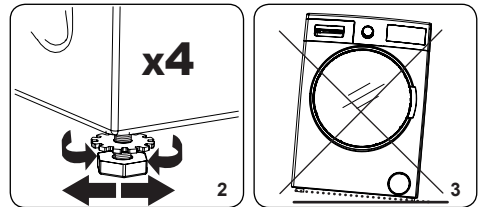
1. Before operating the washing machine, remove the 4 transit bolts and rubber spacers from the rear of the machine. If the bolts are not removed, they may cause heavy vibration, noise and malfunction of the machine and void the warranty.
2. Loosen the transit bolts by turning them anticlockwise with an appropriate spanner.
3. Remove the transit bolts with a straight pull.
4. Fit the plastic blanking caps supplied in the accessories bag into the gaps left by the removal of the transit bolts. The transit bolts should be stored for future use.

**NOTE:** Remove the transit bolts before using the machine for the first time. Faults occurring due to the machine being operated with transit bolts fitted are out of the scope of the warranty.

#### 3.2 Adjusting the Feet / Adjusting Adjustable Stays

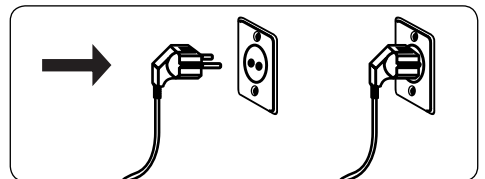


1. Do not install your machine on a surface (such as carpet) that would prevent ventilation at the base.
  - To ensure silent and vibration-free operation of your machine, install it on a firm surface.
  - You can level your machine using the adjustable feet.
  - Loosen the plastic locking nut.



2. To increase the height of the machine, turn the feet clockwise. To decrease the height of the machine, turn the feet anticlockwise.
  - Once the machine is level, tighten the locking nuts by turning them clockwise.
3. Never insert cardboard, wood or other similar materials under the machine to level it.
  - When cleaning the ground on which the machine is located, take care not to disturb the level of the machine.

#### 3.3 Electrical Connection

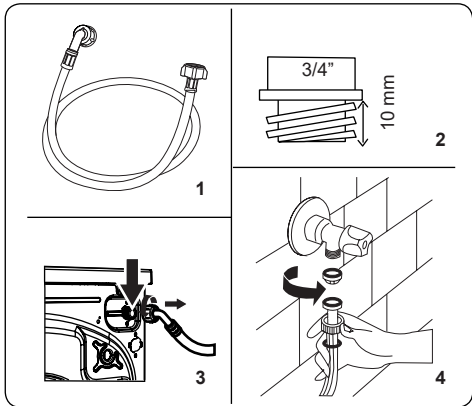


- Your Washing Machine requires a 220-240V, 50 mains supply.

- The mains cord of your washing machine is equipped with an earthed plug. This plug should always be inserted to an earthed socket of 10 amps.
- If you do not have a suitable socket and fuse conforming with this, please ensure the work is carried out by a qualified electrician.
- We do not take responsibility for damage that occurs due to the use of ungrounded equipment.

**NOTE:** Operating your machine with low voltage will cause the life cycle of your machine to be reduced and its performance to be restricted.

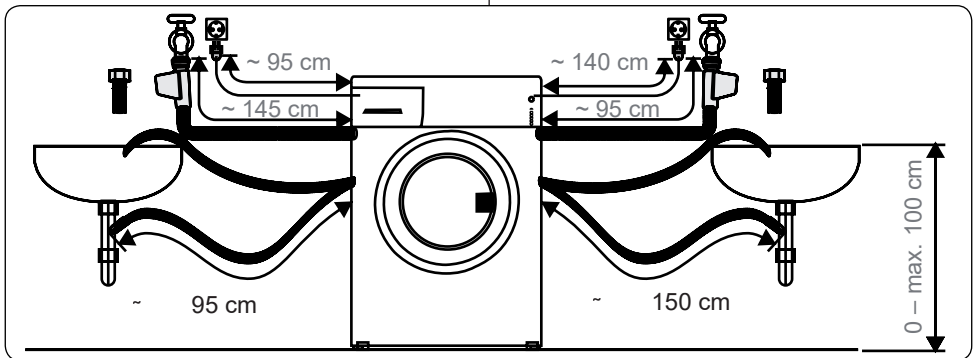
**3.4 Water Inlet Hose Connection**



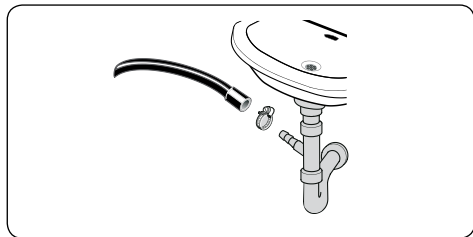
1. Your machine may have either a single water inlet connection (cold) or double water inlet connection (hot and cold) depending on the machine specifications. The white capped hose

- should be connected to cold water inlet and red capped hose to the hot water inlet (if applicable).
  - To prevent water leaks at the joints, either 1 or 2 nuts (depending on your machine's specifications) are supplied in the packaging with the hose. Fit these nuts to the end(s) of the water inlet hose that connect to the water supply.
2. Connect new water inlet hoses to a 3/4", threaded tap.
    - Connect the white capped end of the water inlet hose to the white water inlet valve on the rear side of the machine and the red capped end of the hose to the red water inlet valve (if applicable).
    - Hand tighten the connections. If in any doubt, consult a qualified plumber.
    - Water flow with pressure of 0. 1-1 Mpa will allow your machine to operate at optimum efficiency (pressure of 0. 1 Mpa means that more than 8 litres of water per minute will flow through a fully opened tap).
  3. Once you have made all of the connections, carefully turn the water supply on and check for leaks.
  4. Ensure that the new water inlet hoses are not trapped, kinked, twisted, folded or crushed.
    - If your machine has a hot water inlet connection, the temperature of the hot water supply should not be higher than 70°C.

**NOTE:** Your Washing Machine must only be connected to your water supply using the supplied new fill hose. Old hoses must not be reused.

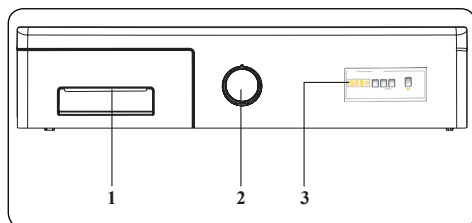


### 3.5 Water Discharge Connection



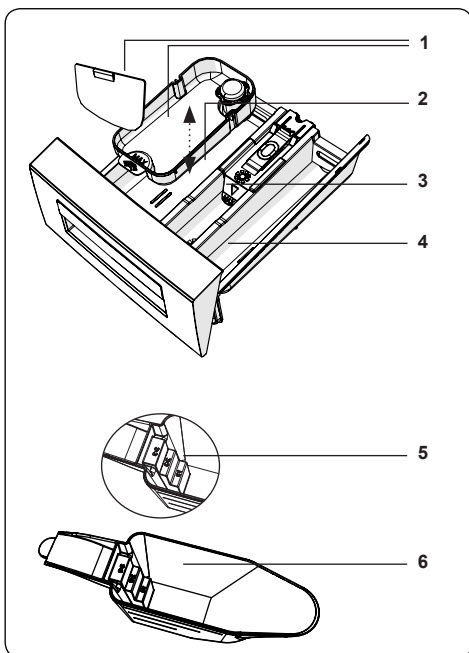
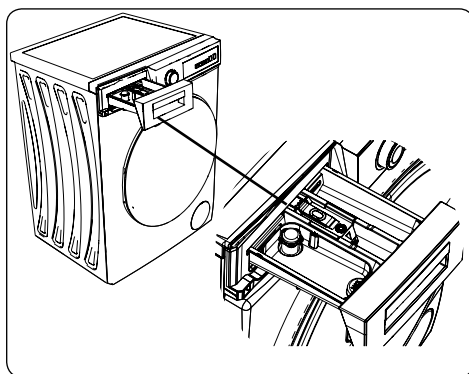
- Connect the water drain hose to a standpipe or to the outlet elbow of a household sink, using additional equipment.
- Never attempt to extend the water drain hose.
- Do not put the water drain hose from your machine into a container, bucket or bathtub.
- Make sure that the water drain hose is not bent, buckled, crushed or extended.
- The water drain hose must be installed at a maximum height of 100 cm from the ground.

## 4. CONTROL PANEL OVERVIEW



1. Detergent Drawer
2. Programme Dial
3. Electronic Display

### 4.1 Detergent Drawer

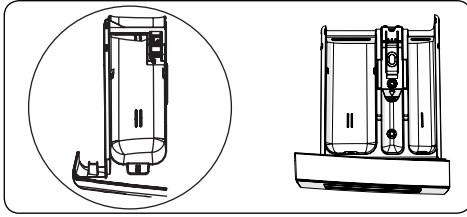


1. Liquid Detergent Attachments
2. Main Wash Detergent Compartment
3. Softener Compartment
4. Pre-Wash Detergent Compartment
5. Powder Detergent Levels
6. Powder Detergent Scoop (\*)

(\*) Specifications may vary depending on the machine purchased.

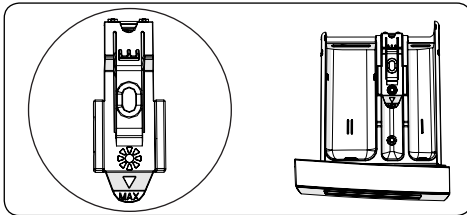
## 4.2 Sections

### Main wash detergent compartment:



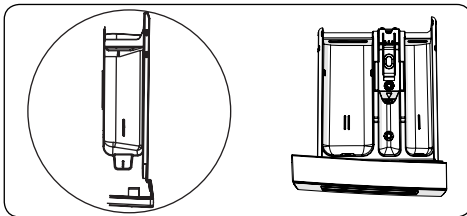
This compartment is for liquid or powder detergents or limescale remover. The fluid detergent level plate will be supplied inside your machine. (\*)

### Fabric conditioner, starch, detergent compartment:



This compartment is for softeners, conditioners or starch. Follow the instructions on the packaging. If softeners leave residue after use, try diluting them or using a liquid softener.

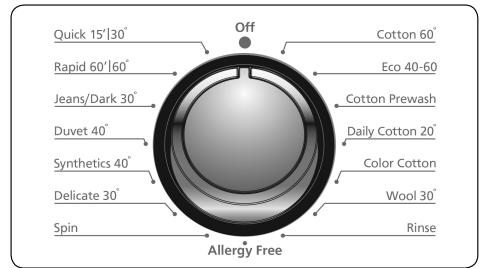
### Pre-wash detergent compartment:



This compartment should be used only when the pre-wash feature is selected. We recommend that the pre-wash feature is used only for very dirty laundry.

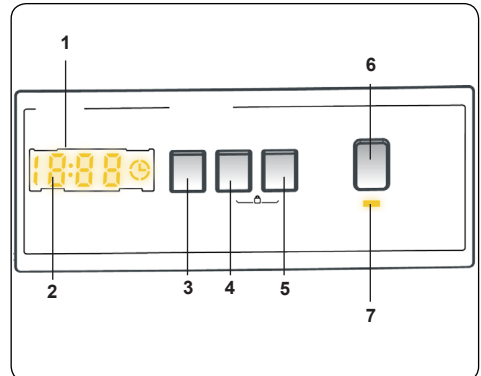
(\*) Specifications may vary depending on the machine purchased.

## 4.3 Program Dial



- To select the desired programme, turn the programme dial either clockwise or anti-clockwise until the marker on the programme dial points to the chosen programme.
- Make sure that the programme dial is set exactly to the programme you want.

## 4.4 Electronic Display

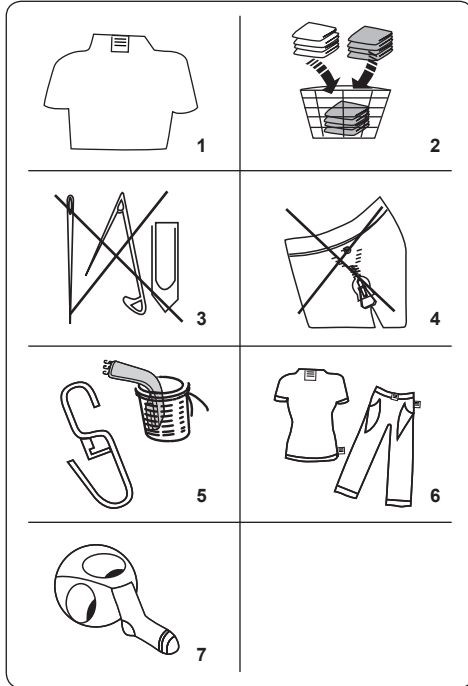


1. Electronic Display
2. Digital Display
3. Water Temperature Adjustment Button
4. RPM Speed Adjustment Button
5. Additional Function Button 1
6. Start/Pause Button
7. Start/Pause Button Lamp

The display panel shows the washing delay timer (if set), temperature selection, spin speed, any additional functions selected. The display panel shows "End" when the selected programme is complete. The display panel also indicates if a fault has occurred with your machine.

## 5. USING YOUR WASHING MACHINE

### 5.1 Preparing Your Laundry






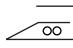
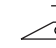










- Follow the instructions given in the care labels on the clothing.
  - Separate your laundry according to type (cotton, synthetic, sensitive, wool etc.), washing temperature (cold, 30°, 40°, 60°, 90°) and the degree of dirtiness (slightly stained, stained, highly stained).
- Never wash coloured and white laundry together.
  - Dark textiles may contain excess dye and should be washed separately several times.
- Ensure that there are no metallic materials on your laundry or in the pockets; if so, remove them.

**CAUTION:** Any malfunctions which occur due to foreign materials damaging your machine are not covered by the warranty.

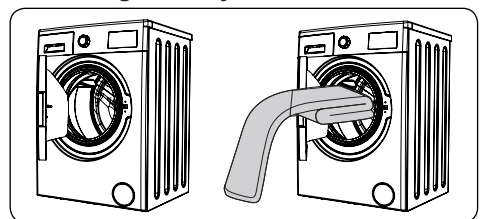
- Close zips and fasten any hooks and eyes.
- Remove the metallic or plastic hooks of

curtains or place them in a washing net or bag.

- Reverse textiles such as pants, knitwear, t-shirts and sweat shirts.
- Wash socks, handkerchiefs and other small items in a washing net.

 Can be bleached	 Do not bleach	 Normal washing
 Maximum ironing temperature 150°C	 Maximum ironing temperature 200°C	 Do not iron
 Can be dry cleaned	 No dry cleaning	 Dry flat
 Drip dry	 Hang to dry	 Do not tumble dry
 Dry cleaning in gas oil, pure alcohol and R113 is allowed	 Perchloroethylene R11, R13, Petroleum	 Perchlorinetylene R11, R113, Gas oil

### 5.2 Putting Laundry in the Machine



- Open the door of your machine.
- Spread your laundry evenly in the machine.

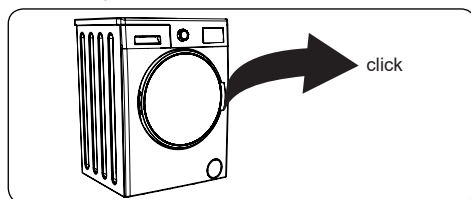
**NOTE:** Take care not to exceed the maximum load of the drum as this will give poor wash results and cause creasing. Refer to the washing programme tables for information on load capacities.

The following table shows approximate

weights of typical laundry items:

LAUNDRY TYPE	WEIGHT (gr)
Towel	200
Linen	500
Bathrobe	1200
Quilt cover	700
Pillow slip	200
Underwear	100
Tablecloth	250

- Load each item of laundry separately.
- Check that no items of laundry are trapped between the rubber seal and the door.
- Gently push the door until it clicks shut.



- Make sure the door is fully closed, otherwise the programme will not start.

### 5.3 Adding Detergent to the Machine

The amount of detergent you will need to put in your machine will depend on the following criteria:

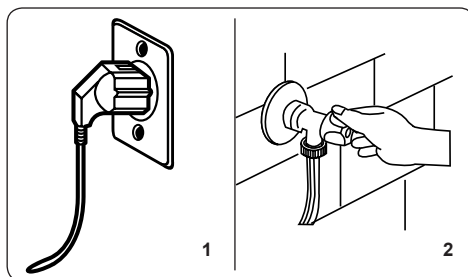
- If your clothes are only slightly soiled, do not pre-wash. Put a small amount of detergent (as specified by the manufacturer) into compartment II of the detergent drawer.
- If your clothes are excessively soiled, select a programme with pre-wash and put  $\frac{1}{4}$  of the detergent to be used into compartment I of the detergent drawer and the rest in compartment II.
- Use detergents produced for automatic washing machines. Follow the manufacturer's instructions on the amount of detergent to use.
- In areas of hard water, more detergent will be required.
- The amount of the detergent required will increase with higher washing loads.
- Put softener in the middle compartment

of the detergent drawer. Do not exceed the MAX level.

- Thick softeners may cause clogging of the drawer and should be diluted.
- It is possible to use fluid detergents in all programmes without a pre-wash. To do this, slide the fluid detergent level plate (\*) into the guides in compartment II of the detergent drawer. Use the lines on the plate as a guide to fill the drawer to the required level.

(\*) Specifications may vary depending on the machine purchased.

### 5.4 Operating Your Machine



1. Plug your machine in to the mains supply.
2. Turn on the water supply.
  - Open the machine door.
  - Evenly spread your laundry in the machine.
  - Gently push the door until it clicks shut.

### 5.5 Selecting a Programme

Use the programme tables to select the most appropriate programme for your laundry.

### 5.6 Half-Load Detection System

Your machine features a half-load detection system.

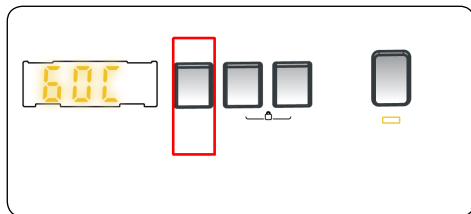
If you put less than half the maximum load of laundry into your machine it will automatically set the half-load function, regardless of the programme you selected. This means that the selected programme will take less time to complete and will use less water and energy.

(\*)Machinery specifications may vary depending on the product purchased.

## 5.7 Additional Functions

### 1. Temperature Selection

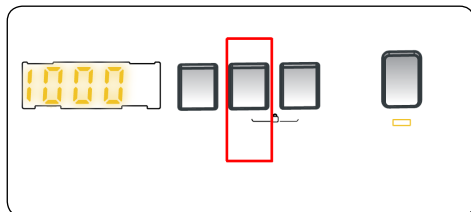
Use the washing water temperature adjustment button to alter the automatically programmed washing water temperature.



When you select a programme the maximum temperature for that programme is automatically selected. To adjust the temperature, press the water temperature adjustment button until the desired temperature is displayed on the digital display.

You can gradually decrease the washing water temperature between the maximum washing water temperature of the selected programme and cold washing (- - C) selections by pressing the temperature adjustment button.

### 2. Spin Speed Selection

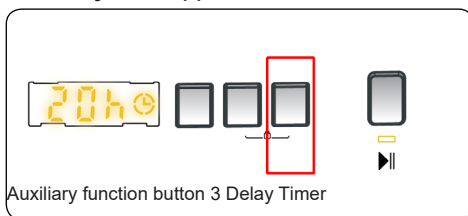


When you select a programme, the maximum spin speed is automatically selected.

To adjust the spin speed between the maximum spin speed and the cancel spinning option (- - -), press the Spin speed button until the desired speed is displayed.

If you have skipped the spin speed you want to set, keep pressing the spin speed adjustment button until the desired spin speed is displayed again.

### 3. Delay Timer(\*)



You can use this auxiliary function to delay the start time of the washing cycle for 1 to 23 hours .

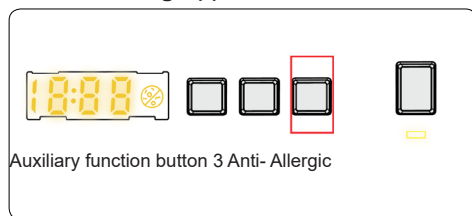
To use the delay function:

- Press the delay key once.
- "01h" will be displayed. ☉ will light up on the electronic display.
- Press the delay key until you reach the time after which you want the machine to start the washing cycle.
- If you have skipped the delay time you would like to set, you can keep pressing the delay key until you reach that time again.
- To use the time delay function, you need to press the Start/Pause key to start the machine.
- If you want to cancel the delay:
  - If you have pressed the Start/Pause key to start the machine, you just need to press the delay key once. ☉ will go off on the electronic display.
  - If you have not pressed the Start/Pause key, press the delay key continuously until ☉ goes off on the electronic display. ☉ will go off on the electronic display.

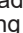
**NOTE:** In the case that you want to select the auxiliary function feature, if the auxiliary function LED is not on, this means that this feature is not being used in the washing programme you have selected.



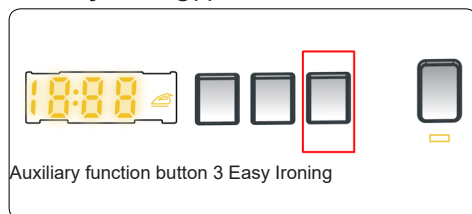
#### 4. Anti- Allergic(\*)




You can add an additional rinse operation to your laundry using this additional function. Your machine will carry out all rinsing steps with hot water. We recommend this setting for laundry worn on delicate skin, baby clothes and underwear.

To select this function, press the Antiallergic button when the  symbol is displayed.

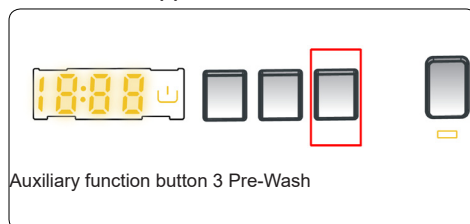
#### 5. Easy Ironing(\*)




Using this function will result in your laundry being less wrinkled at the end of the selected washing programme.

To select this function, press the Easy ironing button when the  symbol is displayed.

#### 6. Pre-Wash(\*)




This additional function allows you to give heavily soiled laundry a pre-wash before the main washing programme takes place. When using this function, put detergent in front washing compartment of the detergent drawer.

To select this function, press the Pre-wash button when the  symbol is displayed.

#### 7. Extra Rinse(\*)



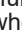
You can add an additional rinse operation to the end of the selected wash programme using this additional function. To select this function, press the Extra rinse button when the  symbol is displayed.


#### 8. Rapid Wash(\*)



You can wash your laundry in a shorter time, using less energy and water by selecting this additional function.


We recommend that you only use this option if you are washing less than half the maximum dry load for the selected programme.

To select this function, press the Rapid wash button when the  symbol is displayed.

**NOTE:** If you put less than half the maximum load of laundry into your machine the half-load function will be automatically set, regardless of the programme you selected. This means that the selected programme will take less time to complete and will use less water and energy. When your machine detects half load, the  symbol is displayed automatically.


### 9. No Spin(\*)



If you don't want to perform wringing on your laundry, you can use this auxiliary function. You may make the programme active by pressing the wringing cancel button on the display panel when the led light of the  symbol turns on.

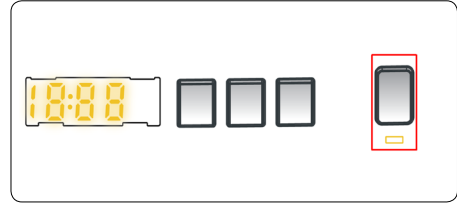
### 10. Cold Wash(\*)



You can use this auxiliary function when you want to wash your laundry with cold water (tap water). You may make the programme active by pressing the cold washing button on the display panel when the led light of the  symbol turns on.

(\*)Machinery specifications may vary depending on the product purchased.

### Start/Pause button

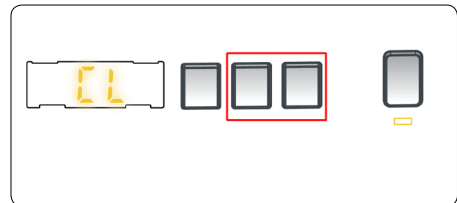


By pressing on the Start/Pause button, you may start the programme you have selected or suspend a running programme. If you switch your machine to the standby mode, the Start/Pause led on the electronic display will blink.

### 5.8 Child Lock

The Child Lock function allows you to lock the buttons so that the wash cycle you have chosen cannot be changed unintentionally.

To activate child lock, press and hold button 2 and 3 simultaneously for at least 3 seconds. "CL" will flash on the electronic display for 2 seconds when the child lock is activated.



If any button is pressed or selected programme is changed by the programme dial while the child lock is active, the "CL" symbol will flash on the electronic display for 2 seconds.

If the child lock function is active and a programme is running, when the programme dial is turned to the CANCEL position and another programme is selected the previously selected programme continues from where it was left.

To deactivate the child lock, press and hold button 2 and 3 simultaneously for at least 3 seconds until the "CL" symbol on the electronic display disappears.

## 5.9 Cancelling the Programme

**To cancel a running programme at any time:**

1. Turn the programme dial to the "STOP" position.
2. Your machine will stop the washing operation and the programme will be cancelled.
3. Turn the programme dial to any other programme to drain the machine.
4. Your machine will perform the necessary draining operation and cancel the programme.
5. You can now select and run a new programme.

## 5.10 Programme End



Your machine will stop by itself as soon as the programme you have selected finishes.

- "END" will flash on the electronic display.
- You can open the machine's door and remove the laundry.
- Leave the door of your machine open to allow the inner part of your machine to dry.
- Switch the programme dial to STOP position.
- Unplug your machine.
- Turn the water tap off.

## 6. PROGRAMME TABLE

Programme	Washing temperature (°C)	Maximum dry laundry amount (kg)	Detergent compartment	Programme duration (Min.)	Laundry type / Descriptions
COTTON 60°	*60-90-80-70-40	9,0	2	230	Very dirty, cotton and flax textiles. (Underwear, linen, tablecloth, towel (maximum 4,5 kg), bedclothes, etc.)
ECO 40-60	*40 - 60	9,0	2	228	Dirty cotton and flax textiles. (Underwear, linen, tablecloth, towel (maximum 4,5 kg), bedclothes, etc.)
COTTON PREWASH	*60 - 50 - 40 - 30 - "- -C"	9,0	1&2	164	Dirty cotton and flax textiles. (Underwear, linen, tablecloth, towel (maximum 4,5 kg), bedclothes, etc.)
DAILY COTTON 20°	*20- "- -C"	4,5	2	96	Less dirty, cotton and linen textiles. (Underwear, bedsheet, tablecloth, towel (max.4,5 kg) bedcloth, etc.)
COLOR COTTON	*40 - 30 - "- -C"	3,5	2	222	Less dirty, cotton and linen textiles. (Underwear, bedsheet, tablecloth, towel (max. 2,0 kg) bedcloth, etc.)
WOOL 30°	*30 - "- -C"	2,5	2	43	Woollen laundries with machine wash labels.
RINSE	** - -C"	9,0	-	30	Provides an additional rinse to any type of laundry after the washing cycle.
ALLERGY FREE	*60 - 50 - 40 - 30 - "- -C"	4,0	2	197	Baby laundry
SPIN	** - -C"	9,0	-	17	You can use this program for any type of laundry if you want an additional spin step after the washing cycle.
DELICATE 30°	*30 - "- -C"	2,5	2	90	Laundry recommended for hand wash or sensitive laundry.
SYNTHETICS 40°	*40 - 30 - "- -C"	3,5	2	110	Very dirty or synthetic-mixed textiles. (Nylon socks, shirts, blouses, synthetic-including trousers etc. )
DUVET 40°	*40 - 30 - "- -C"	-	2	103	For washing a fibre duvet with a machine washable label. (max. 2.5 kg)
JEANS/DARK 30°	*30 - "- -C"	3,5	2	96	Black and dark items made of cotton, mixed fibre or jeans. Wash inside out.. Jeans often contains excess dye and may run during the first few washes. Wash light and dark coloured items separately
RAPID 60'160°	*60 - 50 - 40 - 30 - "- -C"	4,0	2	60	Dirty, cotton, coloured and linen textiles washed at 60°C in 60 minutes.
QUICK 15'130°	*30 - "- -C"	2,0	2	15	In a short time of 15 minutes, Lightly soiled, cotton, colored and linen textiles your can wash.



**NOTE: PROGRAMME DURATION MAY CHANGE ACCORDING TO THE AMOUNT OF LAUNDRY, TAP WATER, AMBIENT TEMPERATURE AND SELECTED ADDITIONAL FUNCTIONS.**

**(\*) Washing water temperature of the programme is the factory default.**

**(\*\*) If your machine has the rapid wash auxiliary function, you can enable the quick wash option on the display panel and load the machine with 2 kg or less laundry to wash it in 30 minutes.**

**(\*\*\*) Due to the short washing time of this programme, we recommend that less detergent is used. The programme may last longer than 15 minutes if your machine detects an uneven load. You can open the door of your machine 2 minutes after the completion of a washing operation. (The 2 minute period is not included in the programme duration).**

**According to regulation 1015/2010 and 1061/2010, the programme 1 and the programme 2 are respectively the 'Standard 60°C cotton programme' and the 'Standard 40°C cotton programme'.**

**The Eco 40-60 programme is able to clean normally soiled cotton laundry declared to be washable at 40°C or 60°C, together in the same cycle, and that this programme is used to assess the compliance with the EU ecodesign legislation.**

- The most efficient programmes in terms of energy consumption are generally those that perform at lower temperatures and longer duration.
- Loading the household washing machine up to the capacity indicated by the manufacturer for the respective programmes will contribute to energy and water savings.
- Program duration, energy consumption and water consumption values may vary according to wash load weight and type, selected extra functions, tap water and ambient temperature.
- It's recommended to use liquid detergent for the washing programmes at low temperature. The amount of detergent to be used may vary depending on the amount of laundry and the level of dirtiness of the laundry. Please follow the detergent manufacturers' recommendations for the amount of the detergent to be used.
- The noise and remaining moisture content are influenced by the spinning speed. The higher spinning speed in the spinning phase, the higher noise and the lower remaining moisture content.
- You can access the product database where the model information is stored by reading the QR code on the energy label.

Programme Name	Rated Capacity kg	Energy Consumption kWh/cycle			Programme Duration Hours:Minutes			Water Consumption Litres/Cycle			max. Temperature °C			Remaining Moisture Content % 1400 Rpm		
		Rated Capacity	1/2 Load	1/4 Load	Rated Capacity	1/2 Load	1/4 Load	Rated Capacity	1/2 Load	1/4 Load	Rated Capacity	1/2 Load	1/4 Load	Rated Capacity	1/2 Load	1/4 Load
Cotton 90°	9	2,4			03:13			84			81			53%		
Cotton 60°	9	1,35			03:50			57			57			53%		
Eco 40-60	9	1,26	0,71	0,36	03:48	02:54	02:54	57	48	36	45	36	26	53%	53%	53%
Synthetics 40°	3,5	0,57			01:50			50			42			53%		
Rapid 60/60°	4	1,11			01:00			35			58			53%		
Daily Cotton 20°	4,5	0,21			01:36			53			20			53%		

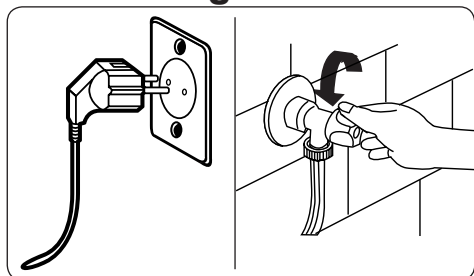
## 6.1 Important Informations

- Use detergents, softeners and other additives suitable for automatic washing machines only. Excessive foam has occurred and automatic foam absorption system has been activated due to too much detergent usage.
- We recommend that periodic cleaning for washing machine every 2 months. For periodic cleaning please use Drum Clean programme. If your machine do not have Drum Clean programme, use Cottons-90 programme. When required, use limescale removers manufactured specifically for washing machines only.
- Never force the door open when your Washing Machine is running. You can open the door of your machine 2 minutes after the completion of a washing operation. \*
- Never force the door open when your Washing Machine is running. The door will open immediately after the washing cycle has ended. \*
- The installation and repairing procedures should always carried out by the Authorised Service Agent in order to avoid possible risks. The manufacturer shall not be held liable for damages that may arise from procedures carried out by unauthorised persons.

(\*) Specifications may vary depending on the machine purchased.

## 7. CLEANING AND MAINTENANCE

### 7.1 Warning



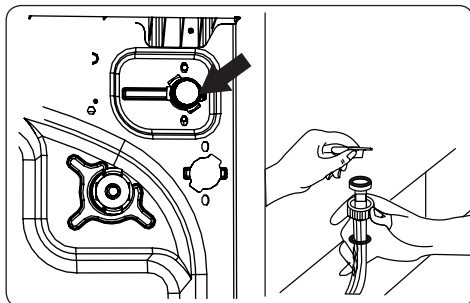
Turn your mains power supply off and remove the plug from the socket before carrying out maintenance and cleaning of your machine.

Turn off the water supply before starting maintenance and cleaning of your machine.

**⚠ CAUTION:** Do not use solvents, abrasive cleaners, glass cleaners or all-purpose cleaning agents to clean your Washing Machine. They may damage the plastic surfaces and other components with the chemicals they contain.

### 7.2 Water Inlet Filters

Water inlet filters prevent dirt and foreign materials from entering your machine. We recommend that these filters are cleaned when your machine is unable to receive sufficient water, although your water supply is on and the tap is open. We recommend that you clean your water inlet filters every 2 months.

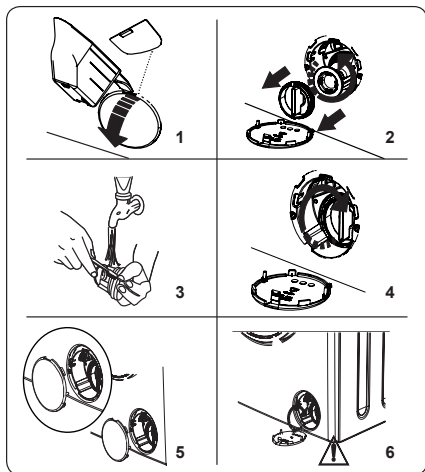


- Unscrew the water inlet hose(s) from the Washing Machine.
- To remove the water inlet filter from the water inlet valve, use a pair of long-nosed pliers to gently pull on the plastic bar in the filter.
- A second water inlet filter is located in the tap end of the water inlet hose. To remove the second water inlet filter, use a pair of long-nosed pliers to gently pull on the plastic bar in the filter.
- Clean the filter thoroughly with a soft brush and wash with soapy water and rinse thoroughly. Re-insert the filter by gently pushing it back into place.

**⚠ CAUTION:** The filters at the water inlet valve may become clogged due to water quality or lack of required maintenance and may break down. This may cause a water leak. Any such breakdowns are out of the scope of the warranty.



### 7.3 Pump Filter



The pump filter system in your Washing Machine prolongs the life of the pump by preventing lint from entering your machine.

We recommend that you clean the pump filter every 2 months.

The pump filter is located behind the cover on the front-lower right corner.

To clean the pump filter:

1. You may use the washing powder spade (\*) supplied with your machine or liquid detergent level plate to open the pump cover.
  2. Lodge the end of the powder spade or liquid detergent level plate in the opening of the cover and gently press backwards. The cover will open.
- Before opening the filter cover, place a container under the filter cover to collect any water left in the machine.
  - Loosen the filter by turning anticlockwise and remove by pulling. Wait for the water to drain.

**NOTE:** Depending on the amount of water inside the machine, you may have to empty the water collection container a few times.

3. Remove any foreign materials from the filter with a soft brush.
4. After cleaning, re-fit the filter by inserting it and turning clockwise.
5. When closing the pump cover, ensure that the mountings inside the cover

meet the holes on the front panel side.

6. Close the filter cover.

**WARNING:** The water in the pump may be hot, wait until it has cooled down before carrying out any cleaning or maintenance.

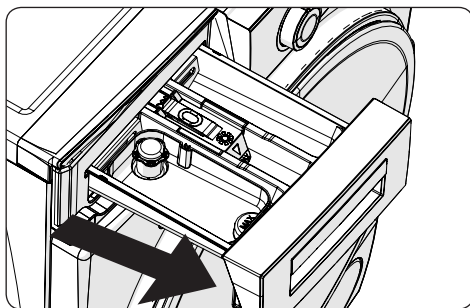
(\*) Specifications may vary depending on the machine purchased.

### 7.4 Detergent Drawer

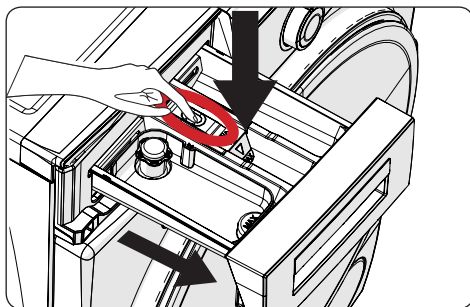
The use of detergent may cause residual build up in the detergent drawer over time. We recommend that you remove the drawer every 2 months to clean the accumulated residue.

To remove the detergent drawer:

- Pull the drawer forwards until it is fully extended.

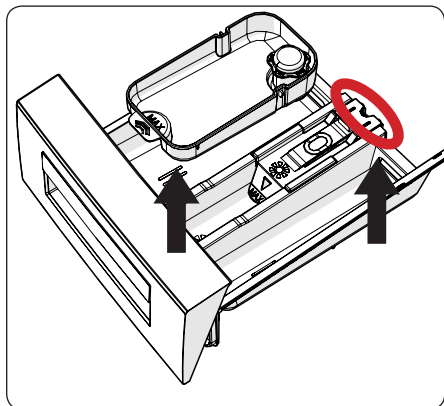


- Press the region shown below inside the detergent drawer you have pulled all the way back, and continue pulling and remove the detergent drawer from its place



- Remove the detergent drawer and disassemble the flush stopper. Clean thoroughly to completely remove

any softener residue. Refit the flush stopper after cleaning and check that it is seated properly.



- Rinse with a brush and lots of water.
- Collect the residues inside the detergent drawer slot so that they don't fall inside your machine.
- Dry the detergent drawer with a towel or dry cloth and place it back

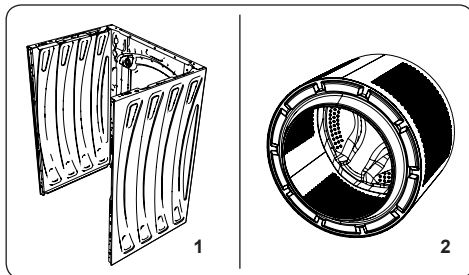
**⚠ Do not wash your detergent drawer in a dishwasher.**

#### **Liquid detergent apparatus(\*)**

For the cleaning and maintenance of the liquid level detergent apparatus, remove the apparatus from its location as shown in the picture below, and thoroughly clean the remaining detergent residues. Replace the apparatus. Make sure that no residual material remains inside the siphon.

(\*) Specifications may vary depending on the machine purchased.

## **8. Body / Drum**



### **1. Body**

Use a mild, non-abrasive cleaning agent, or soap and water, to clean the external casing. Wipe dry with a soft cloth.

### **2. Drum**

Do not leave metallic objects such as needles, paper clips, coins etc. in your machine. These objects lead to the formation of rust stains in the drum. To clean such rust stains, use a non-chlorine cleaning agent and follow the instructions of manufacturer of the cleaning agent. Never use wire wool or similar hard objects for cleaning rust stains.

## 9. TROUBLESHOOTING

Repair of your machine should be carried out by an authorised service company. If your machine requires repair or if you cannot solve an issue with the information provided below, then you should:

- Unplug your machine from the mains power supply.
- Turn off the water supply.

FAULT	POSSIBLE CAUSE	TROUBLESHOOTING
Your machine does not start.	Machine not plugged in.	Plug machine in.
	Fuses are faulty.	Replace the fuses.
	No mains power supply.	Check mains power.
	Start/Pause button not pressed.	Press the Start/Pause button.
	Programme dial 'stop' position.	Turn the programme dial to the desired position.
Your machine does not intake water.	The machine door is not completely closed.	Close the machine door.
	Water tap is turned off.	Turn tap on.
	Water inlet hose may be twisted.	Check water inlet hose and untwist.
	Water inlet hose clogged.	Clean water inlet hose filters. (*)
	Inlet filter clogged.	Clean the inlet filters. (*)
Your machine does not discharge water.	The machine door is not completely closed.	Close the machine door.
	Drain hose clogged or twisted.	Check the drain hose, then either clean or untwist.
	Pump filter clogged.	Clean the pump filter. (*)
Your machine vibrates.	Laundry is too tightly packed together in the drum.	Spread your laundry in the machine evenly.
	The feet have not been adjusted.	Adjust the feet. (**)
	Transit bolts fitted for transportation have not been removed.	Remove the transit bolts from the machine. (**)
	Small load in the drum.	This will not prevent operation of your machine.
	Your machine is overloaded with laundry or laundry is unevenly spread.	Do not overload the drum. Spread laundry evenly in the drum.
Excessive foam is formed in the detergent drawer.	Your machine rests on a hard surface.	Do not set up your Washing Machine on a hard surface.
	Excessive amount of detergent used.	Press the Start/Pause button. To stop the foam, dilute one tablespoon of softener into 1/2 litre of water and pour into the detergent drawer. Press the Start/Pause button after 5-10 mins.
Unsatisfactory washing result.	Wrong detergent used.	Only use detergents produced for automatic Washing Machines.
	Your washing is too dirty for the programme selected.	Use the information in the programme tables to select the most appropriate programme.
	Amount of detergent used insufficient.	Use the amount of detergent as instructed on the packaging.
	There is too much laundry in your machine.	Check that the maximum capacity for the selected programme has not been exceeded.

FAULT	POSSIBLE CAUSE	TROUBLESHOOTING
Unsatisfactory washing result.	Hard water.	Increase the amount of detergent following the manufacturer's instructions.
	Your laundry is too tightly packed together in the drum.	Check that your laundry is spread out.
As soon as the machine is loaded with water, water discharges.	The end of water drain hose is too low for the machine.	Check that the drain hose is at a suitable height (**).
No water appears in the drum during washing.	No fault. Water is in the unseen part of the drum.	.....
Laundry has detergent residue.	Non-dissolving particles of some detergents may appear on your laundry as white spots.	Perform an extra rinse, or clean your laundry with a brush after it dries.
Grey spots appear on the laundry.	There is untreated oil, cream or ointment on your laundry.	Use the amount of detergent as instructed on the packaging in the next wash.
The spin cycle does not take place or takes place later than expected.	No fault. The Unbalanced load control system has been activated.	The Unbalanced load control system will try to spread your laundry. The spinning cycle will begin once your laundry is spread. Load the drum evenly for the next wash.

(\* See the chapter regarding maintenance and cleaning of your machine.

(\*\*) See the chapter regarding installation of your machine.

## 10. AUTOMATIC FAULT WARNINGS AND WHAT TO DO

Your Washing Machine is equipped with a built-in fault detection system, indicated by a combination of flashing wash operation lights. The most common failure codes are shown below.

TROUBLE CODE	POSSIBLE FAULT	WHAT TO DO
E01	The door of your machine is not shut properly.	Shut the door properly until you hear a click. If your machine persists to indicate fault, turn off your machine, unplug it and contact the nearest authorised service agent immediately.
E02	The water pressure or the water level inside the machine may be low.	Check the tap is fully turned on. Mains water may be cut-off. If the problem still continues, your machine will stop after a while automatically. Unplug the machine, turn off your tap and contact the nearest authorised service agent.
E03	The pump is faulty or pump filter is clogged or electrical connection of the pump is faulty.	Clean the pump filter. If the problem persists, contact the nearest authorised service agent. (*)
E04	Your machine has excessive amount of water.	Your machine will discharge water by itself. Once the water has drained, turn off your machine and unplug it. Turn off the tap and contact the nearest authorised service agent.

(\* See the chapter regarding maintenance and cleaning of your machine.



<https://www.voxelectronics.com>  
[callcenter@voxelectronics.com](mailto:callcenter@voxelectronics.com)

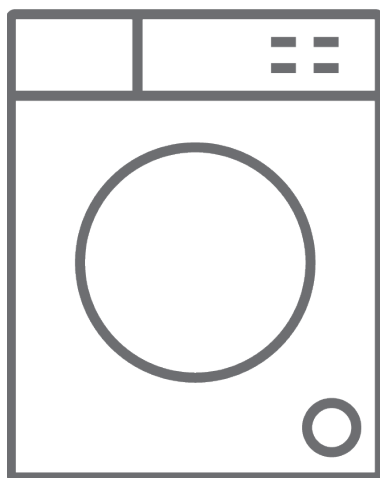


52335167





**SR** Mašina za veš / Korisnički priručnik



**WM1495-YT1QD**

## Zahvaljujemo vam što ste izabrali ovaj proizvod.

Ovaj Korisnički priručnik sadrži veoma važne informacije i uputstva koji se tiču korišćenja i održavanja vašeg uređaja.

Odvojite vreme da pročitate ovaj Korisnički priručnik pre korišćenja uređaja i čuvajte ga za buduću upotrebu.

Ikonica	Vrsta	Značenje
	<b>UPOZORENJE</b>	Rizik od opasne povrede ili smrti
	<b>RIZIK OD STRUJNOG UDARA</b>	Rizik od opasnog napona
	<b>POŽAR</b>	Upozorenje; Rizik od požara / zapaljivi materijali
	<b>OPREZ:</b>	Rizik od povreda ili oštećenja imovine
	<b>VAŽNO / NAPOMENA</b>	Pravilno korišćenje sistema

# SADRŽAJ

<b>1.BEZBEDNOSNA UPUTSTVA</b> .....	<b>1</b>
1.1 Opšta bezbednosna upozorenja.....	2
1.2 Tokom upotrebe .....	6
1.3 Pakovanje i životna sredina.....	7
1.4 Informacije o uštedi .....	7
<b>2.TEHNIČKE SPECIFIKACIJE</b> .....	<b>9</b>
2.1 Opšti izgled.....	9
2.2 Tehničke specifikacije .....	9
<b>3.POSTAVLJANJE</b> .....	<b>10</b>
3.1 Uklonite transportne blokade.....	10
3.2 Podešavanje postolja / Podešavanje podesivih kočnica .....	10
3.3 Priključivanje na električnu mrežu .....	11
3.4 Povezivanje creva za dovod vode.....	11
3.5 Priključivanje na odvod vode .....	12
<b>4.PREGLED KONTROLNE TABLE</b> .....	<b>12</b>
4.1 Dozirna posuda .....	13
4.2 Odeljci .....	13
4.3 Dugme za izbor programa .....	14
4.4 Elektronski displej.....	14
<b>5.KORIŠĆENJE MAŠINE ZA PRANJE VEŠA</b> .....	<b>14</b>
5.1 Priprema vašeg veša.....	14
5.2 Stavljanje veša u mašinu.....	15
5.3 Dodavanje deterdženta u mašinu .....	15
5.4 Rukovanje mašinom .....	16
5.5 Izbor programa .....	16
5.6 Sistem detekcije napunjenosti do pola .....	16
5.7 Dodatne funkcije .....	16
5.8 Zaštita za decu .....	19
5.9 Otkazivanje programa .....	19
5.10 Kraj programa.....	19
<b>6.TABELA PROGRAMA</b> .....	<b>20</b>
6.1 Važne informacije .....	23
<b>7.ČIŠĆENJE I ODRŽAVANJE</b> .....	<b>24</b>
7.1 Upozorenje .....	24
7.2 Filteri za dovod vode .....	24
7.3 Filter pumpe.....	25
7.4 Dozirna posuda .....	25
<b>8.Kućište / Bubanj</b> .....	<b>26</b>
<b>9.REŠAVANJE PROBLEMA</b> .....	<b>27</b>
<b>10.AUTOMATSKA UPOZORENJA O GREŠCI I ŠTA PREDUZETI</b> .....	<b>28</b>



# 1. BEZBEDNOSNA UPUTSTVA

Radni napon / frekvencija:	(220-240) V~/50Hz
Ukupna struja (A)	10
Pritisak vode (mpa)	Maksimalni 1 mpa / minimalni 0. 1 mpa
Ukupna snaga (W)	2200
Maksimalan kapacitet pranja (suv veš) (kg)	9

- Nemojte postavljati vašu mašinu na tepih ili takve osnove koje bi sprečile ventilaciju u bazi mašine.
- Ovaj aparat nije namenjen za upotrebu od strane lica sa smanjenim fizičkim, čulnim ili mentalnim sposobnostima ili nedostatkom iskustva i znanja osim ako nije pod nadzorom ili je naučen da rukuje aparatom od strane lica koje je odgovorno za njegovu/njenu sigurnost.
- Decu mlađu od 3 godine treba čuvati dalje od uređaja osim ako nisu pod stalnim nadzorom.
- Pozovite najbliži ovlašćeni servis radi zamene ako je kabl za napajanje neispravan.
- Koristite isključivo novo crevo za dovod vode koje se isporučuje sa vašom mašinom dok povezujete dovod vode. Nikada nemojte da koristite stara, korišćena ili oštećena creva za dovod vode.
- Deca se ne smeju igrati sa uređajem. Deca ne smeju čistiti ili održavati uređaj bez nadzora.

**NAPOMENA:** Za mekanu kopiju ovog Korisničkog priručnika, molimo kontaktirajte sledeću adresu: “washingmachine@standardtest.info”. U vašem e-mailu, molimo navedite naziv modela i serijski broj (20 cifara) koje možete naći na vratima uređaja.

**Pažljivo pročitajte Korisnički priručnik**  
**Vaša mašina je samo za kućnu upotrebu.**  
**Komercijalna upotreba će izazvati otkazivanje garancije.**



**Priručnik je pripremljen za više od jednog modela i zato vaš uređaj možda neće imati neke karakteristike koje su opisane u njemu. Iz tih razloga, važno je da obratite pažnju na sve prikaze dok čitate priručnik o upotrebi.**

## **1.1 Opšta bezbednosna upozorenja**

- Za idealan rad mašine za veš potrebna je temperatura okruženja od 15-25 °C.
- U oblastima gde je temperatura ispod 0 °C, elektronska kartica možda neće bezbedno raditi.
- Molimo uverite se da u vešu stavljenom u vašu mašinu nema stranih objekata kao čavli, igle, upaljači i kovanice.
- **Preporučeno je da za vaše prvo pranje izaberete Program za pamuk na 90° bez veša i pola punjenja codeljka II dozirne posude odgovarajućim deterdžentom.**
- Može se nataložiti ostatak deterdženta i omekšivača izloženih duže vremena na vazduhu. Stavljajte omekšivač ili deterdžent u dozirnu

posudu samo na početku svakog pranja.

- Isključite vašu veš mašinu iz struje i zatvorite dovod vode ako ne koristite veš mašinu duže vremena. Takođe preporučujemo da ostavite vrata otvorena da biste sprečili stvaranje vlage unutar Veš mašine.
- U vašoj mašini za pranje veša može ostati malakoličina vode kao rezultat provjere kvaliteta tokom proizvodnje. Ovo neće uticati rad vaše mašine za pranje veša.
- Pakovanje mašine može biti opasno po decu. Ne dozvoljavajte deci da se igraju sa pakovanjem ili malim delovima iz mašine za pranje veša.
- Držite ambalažne materijale na mestu gde deca ne mogu da dođu ili ih prikladno odložite.
- Program pretpranja koristite samo za veoma prijav veš.

⚠ Nikada ne otvarajte dozirnu posudu dok mašina radi.

- U slučaju kvara, isključite mašinu iz struje i zatvorite dovod vode. Ne pokušavajte sami da nešto popravljate. Uvek kontaktirajte ovlašćenog servisera.
- Nemojte prekoračiti maksimalno punjenje za program pranja koji ste izabrali.

⚠ Nemojte nikada otvarati vrata na silu dok mašina za pranje veša radi.

- Pranje veša koji sadrži brašno može oštetiti vašu mašinu.
- Molmo vas pratite uputstva proizvođača u odnosu na upotrebu regeneratora tkanine ili bilo kakvih sličnih proizvoda koje planirate da koristite u vašoj

mašini za pranje veša.

- Uverite se da se vrata vaše mašine za pranje veša mogu slobodno potpuno otvoriti.

Instalirajte vašu mašinu na mestu koje može biti potpuno provetreno i poželjno je da ima stalnu cirkulaciju vazduha.

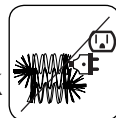
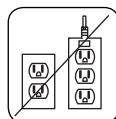
**⚠️ Pročitajte ova upozorenja. Pratite savet dat za vašu i zaštitu drugih od rizika i fatalnih povreda.**

## **RIZIK OD OPEKOTINA**

**⚠️** Ne dodirujte odvodno crevo ili bilo koju ispražnjenu vodu dok vaša mašina za pranje veša radi. Visoka temperatura uključuje mogući rizik od opekotina.

## **⚠️⚡ RIZIK OD SMRTI OD ELEKTRIČNE STRUJE**

- Ne uključujte vašu mašinu za pranje veša u struju preko produžnog kabla.
- Nemojte stavljati oštećeni utikač u utičnicu.
- Nikada nemojte vaditi utikač iz utičnice povlačenjem kabla. Uvek držite utikač.
- Nikada ne dodirujte napojni kabl/utičnicu vlažnim rukama jer to može da izazove kratak spoj ili strujni udar.
- Ne dodirujte vašu mašinu za pranje veša ako su vam ruke ili topala vlažni.
- Oštećeni strujni kabl / utikač može da izazove požar ili da izazove strujni udar. Kada se ošteti, mora da se zameni, a to treba da obavlja isključivo ovlašćeno osoblje.



## **Rizik od poplave**

- Proveritu brzinu proticaja vode pre stavljanja odvodnog creva u slivnik.
- Preduzmite neophodne mere za zštitu creva od proklizavanja.
- Proticaj vode može pomeriti crevo ako nije propisno obezbeđeno. Uverite se da čep u vašem slivniku ne blokira otvor čepa.

## **Opasnost od požara**

- Nemojte držati zapaljive tečnosti blizu vaše mašine.
- Sumporni sadržaj sredstava za otklanjanje boje mogu izazvati koroziju. Nikada nemojte da koristite sredstva koja otklanjaju boju u vašoj mašini.
- Nemojte nikada koristiti proizvode koji sadrže razređivače u vašoj mašini.
- Molimo uverite se da u vešu stavljenom u vašu mašinu nema stranih objekata kao čavli, igle, upaljači i kovanice.

## **Rizik od požara i eksplozije**

### **Rizik od padanja i povređivanja**

- Nemojte da se penjete na mašinu za pranje veša.
- Uverite se da creva i kablovi ne izazivaju opasnost od zapletanja.
- Nemojte da postavljate mašinu naopačke ili na stranu.
- Nemojte podizati vašu mašinu za pranje veša korišćenjem vrata ili dozirne posude.



**! Mašinu moraju nositi najmanje 2 osobe.**

**! Bezbednost dece**

- Ne puštajte decu blizu mašine bez nadzora. Deca mogu da se zaključaju u mašinu što može dovesti do rizika od smrti.
- Nemojte da dopuštate deci da dodiruju staklo tokom korišćenja mašine. Površina postaje izuzetno vruća i može dovesti do oštećenja kože.
- Držite materijal pakovanja izvan domašaja dece.
- Trovanje i iritacija mogu da se jave ako se deterdžent i materijali za čišćenje konzumiraju ili dođu u dodir sa kožom ili očima. Držite materijale za čišćenje van domašaja dece.




## **1.2 Tokom upotrebe**

- Držite kućne ljubimce dalje od mašine
- Proverite pakovanje mašine pre instaliranja i spoljnu površinu mašine nakon uklanjanja pakovanja. Nemojte uštati mašinu u rad ako izgleda oštećeno ili ako je materijal za pakovanje otvoren.
- Nek mašinu instalira isključivo ovlašćeni serviser. Instalacija od bilo koga drugog osim ovlašćenog servisera može izazvati poništenje vaše garancije.
- Ovaj uređaj mogu koristiti deca starija od 8 godina i osobe sa smanjenim fizičkim, čulnim ili mentalnim sposobnostima ili one kojima nedostaju iskustvo i znanje, ako su pod nadzorom ili su dobili uputstva u vezi sa bezbednom upotrebom uređaja i razumeju uključene opasnosti. Deca se

ne smeju igrati sa uređajem. Deca ne smeju čistiti ili održavati uređaj bez nadzora.

- Koristite mašinu samo za veš koji je proizvođač označio kao pogodan za pranje:
- **Pre rukovanja mašinom za pranje uklonite 4 transportne blokade i gumene razmaknice sa zadnje strane mašine. Ako blokade nisu uklonjene mogu izazvati teške vibracije, buku i kvar mašine u kom slučaju ne važi garancija.**
- Vaša garancija ne pokriva štetu izazvanu spoljnim faktorima kao požar, poplava i drugi izvori oštećenja.
- Nemojte da bacate ovaj korisnički priručnik, čuvajte ga za kasniju upotrebu i predavanje narednom vlasniku.

 **NAPOMENA:** Specifikacije mašine mogu da zavise od kupljenog proizvoda.

### 1.3 Pakovanje i životna sredina

#### Odlaganje materijala pakovanja

Pakovanje štiti mašinu od oštećenja koja mogu nastati tokom transporta. Materijali pakovanja su povoljni za životnu sredinu jer su reciklirajući. Upotreba recikliranim materijala smanjuje potrošnju sirovih materijala i smanjuje stvaranje otpada.

### 1.4 Informacije o uštedi

Slede važne informacije kako biste postigli bolju efikasnost sa vašom mašinom:

- Nemojte prekoračiti maksimalno punjenje za program pranja koji ste izabrali. Ovo će omogućiti

- vašoj mašini da radi u režimu uštede energije.
- Nemojte koristiti pretpranje za blago prljavi veš. Ovo će vam pomoći da uštedite struju i potrošnju vode.

### **EC Deklaracija o usaglašenosti**

Izjavljujemo da naši proizvodi zadovoljavaju primenljive evropske direktive, odluke i propise, kao i zahteve navedene u spomenutim standardima.

### **Odlaganje stare mašine**

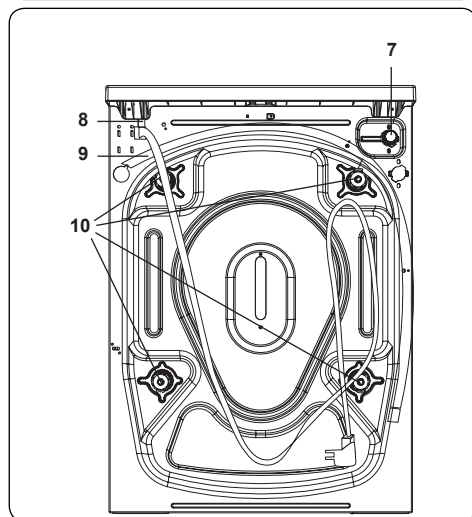
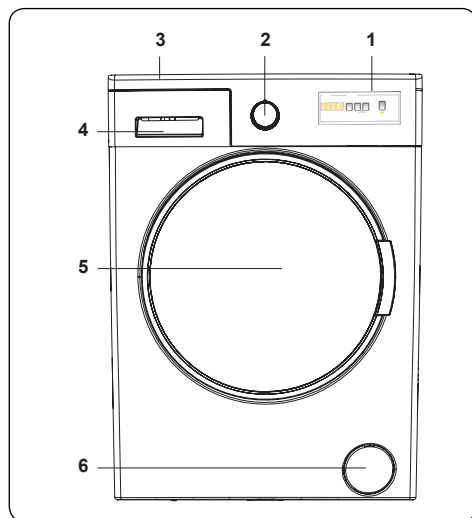


Ovaj simbol na proizvodu ili njegovom pakovanju označava da se proizvod ne može tretirati kao komunalni otpad. Umesto toga, treba ga predati odgovarajućem mestu za prikupljanje otpada radi recikliranja električne i elektronske opreme. Kada ispravno odlažete proizvod, pomažete sprečavanju potencijalnih negativnih posledica po životnu sredinu i zdravlje ljudi, što bi inače bilo prouzrokovano nepravilnim odlaganjem ovog proizvoda. Za detaljnije informacije o recikliranju ovog proizvoda,

kontaktirajte lokalnu kancelariju, službu za odlaganje komunalnog otpada ili prodavnicu u kojoj je proizvod kupljen.



## 2. TEHNIČKE SPECIFIKACIJE



### 2.1 Opšti izgled

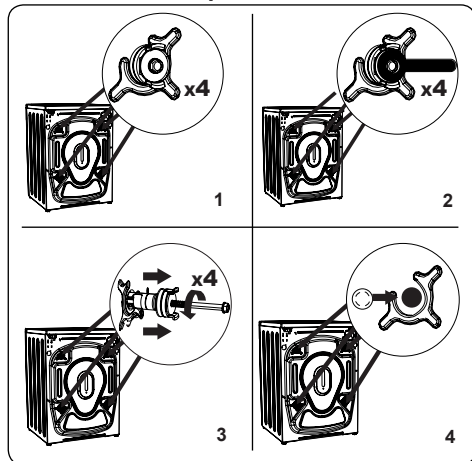
1. Elektronski displej
2. Dugme za izbor programa
3. Gornja ploča
4. Dozirna posuda
5. Bubanj
6. Poklopac filtera pumpe
7. Ventil dovoda vode
8. Strujni kabl
9. Crevo za izbacivanje vode
10. Transportne blokade

### 2.2 Tehničke specifikacije

Radni napon / frekvencija (V/Hz)	(220-240) V~/50Hz
Ukupna struja (A)	10
Pritisak vode (mpa)	Maksimalni: 1 Mpa Minimalni: 0.1 Mpa
Ukupna snaga (W)	2200
Maksimalni kapacitet suvog veša (kg)	9
Brzina obrtaja centrifuge (obr / min)	1400
Broj programa	15
Dimenzije (mm)	
Visina	845
Širina	597
Dubina	582

### 3. POSTAVLJANJE

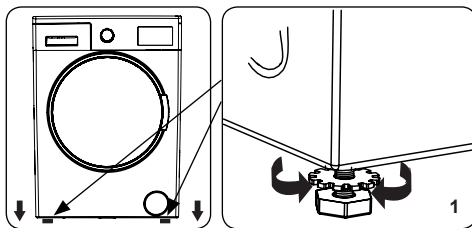
#### 3.1 Uklonite transportne blokade



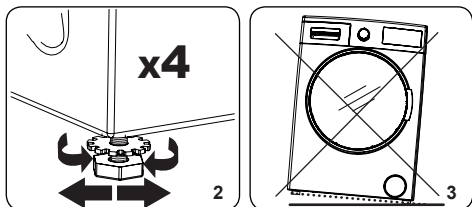
1. Pre rukovanja mašinom za pranje uklonite 4 transportne blokade i gumene razmaknice sa zadnje strane mašine. Ako blokade nisu uklonjene mogu izazvati teške vibracije, buku i kvar mašine u kom slučaju ne važi garancija.
2. Odstegnite transportne blokade njihovim okretanjem u smeru suprotno od kazaljke na satu odgovarajućim ključem.
3. Uklonite transportne blokade povlačenjem pravo.
4. Pričvrstite plastične poklopce iz torbe za pribor u praznine koje su ostale nakon uklanjanja transportnih blokada. Čuvajte transportne blokade za buduću upotrebu.

**⚠ NAPOMENA:** Uklonite transportne blokade pre prve upotrebe mašine. Greške koje se pojavljuju zbog korišćenja mašine sa pričvršćenim transportnim blokadama ne spadaju pod garanciju.

#### 3.2 Podešavanje postolja / Podešavanje podesivih kočnica

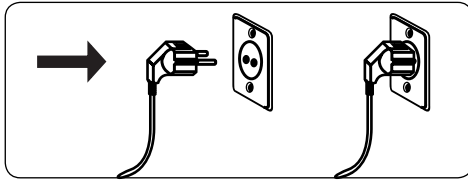


1. Ne instalirajte mašinu na površinu (kao tepih) koja može sprečiti ventilaciju osnove.
  - Da biste obezbedili tihi rad vaše mašine i bez vibracija instalirajte je na čvrstu površinu.
  - Možete podesiti nivo mašine korišćenjem podesivog postolja.
  - Odstegnite plastične nvrtnje za zaključavanje.



2. Za podizanje visine mašine, okrenite postolje u smeru kazaljke na satu. Za smanjenje visine mašine, okrenite postolje u smeru suprotnom od kazaljke na satu.
  - Kada je postavljen nivo mašine, pritegnite navrtnje za zaključavanje njihovim okretanjem u smeru kazaljke na satu.
3. Nikada ne stavljajte kartonske, drvene ili druge slične materijale ispod mašine za njeno niveliranje.
  - Kada čistite pod na koji je mašina postavljena, vodite računa da ne pomerite nivo mašine.

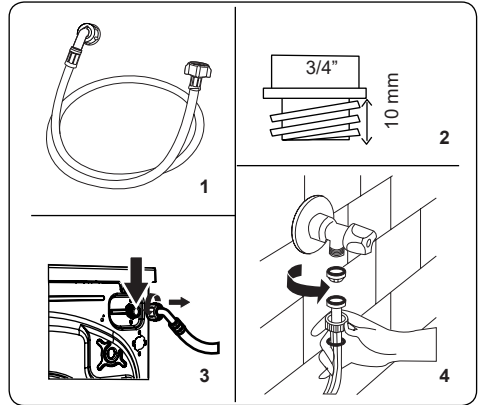
### 3.3 Priklučivanje na električnu mrežu



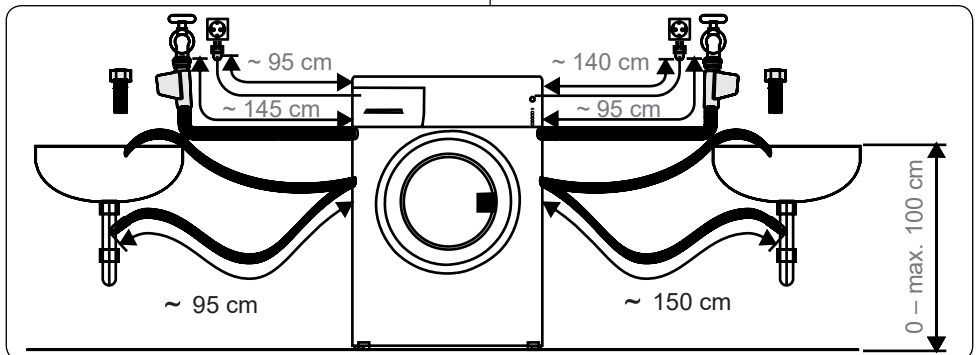
- Vaša mašina za pranje veša zahteva strujno napajanje od 220-240V, 50 .
- Električni kabl mašine je opremljen posebnim uzemljenim utikačem. Ovaj utikač treba uvek da bude uključen u utičnicu sa uzemljenjem od 10 amp.
- Ako nemate odgovarajuću utičnicu i osigurač koji odgovara ovome, osigurajte se da to obvi kvalifikovani električar.
- Ne preuzimamo odgovornost za štetu nastalu zbog upotrebe opreme bez uzemljenja.

**OPOMENA:** Rukovanje mašinom pod niskim naponom će izazvati smanjeni radni vek mašine i njene performanse će biti ograničene.

### 3.4 Povezivanje creva za dovod vode



1. Vaša mašina može imati ili jedinični priključak za dovod vode (hladne) ili dvostruki priključak za dovod vode (vruće i hladne) zavisno od specifikacija mašine. Crevo sa belim poklopcem treba priključiti na dovod za hladnu vodu a crevo sa crvenim poklopcem na dovod za toplu vodu (ako je primenljiv).
  - Za sprečavanje curenja vode na spojevima, snabdevena su 1 ili 2 navrtnja (zavisno od specifikacija mašine) u pakovanju za crevo. Pričvrstite ove navrtnje na kraj(eve) creva za dovod vode koje je priključeno na dovod za vodu.
2. Priključite nova creva za dovod vode na slaviniu sa navojem od  $\frac{3}{4}$  ".
    - Priključite kraj creva za dovod vode sa belim poklopcem na beli ventil dovoda vode na zadnjoj strani mašine i kraj creva sa crvenim poklopcem na crveni ventil dovoda vode (ako je primenljiv).
    - Ručno pritegnite priključke. Ako imate

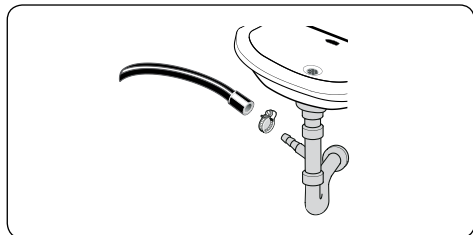


bilo kakve sumnje, konsultujte se sa kvalifikovanim vodoinstalaterom.

- Protok vode pod pritiskom od 0. 1-1 Mpa će omogućiti efikasniji rad mašine (pritisak od 0. 1 Mpa znači da će više od 8 litara vode proteći kroz potpuno otvorenu slavinu tokom jednog minuta).
3. Čim napravite sve priključke, pažljivo otvorite dovod za vodu i proverite dali negde curi.
  4. Osigurajte se da nova creva za dovod vode nisu zaglavljena, pognuta upletena, presavijena ili zgnječena.
- Ako mašina ima priključak za dovod vruće vode, temperatura dovoda za toplu vodu ne treba da bude viša od 70°C.

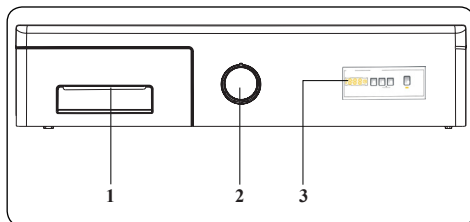
**NAPOMENA:** Vaša mašina za pranje veša mora da bude priključena na dovod za vodu samo sa novim crevom koje ste dobili uz mašinu. Stara creva ne smeju ponovo da se koriste.

### 3.5 Priključivanje na odvod vode



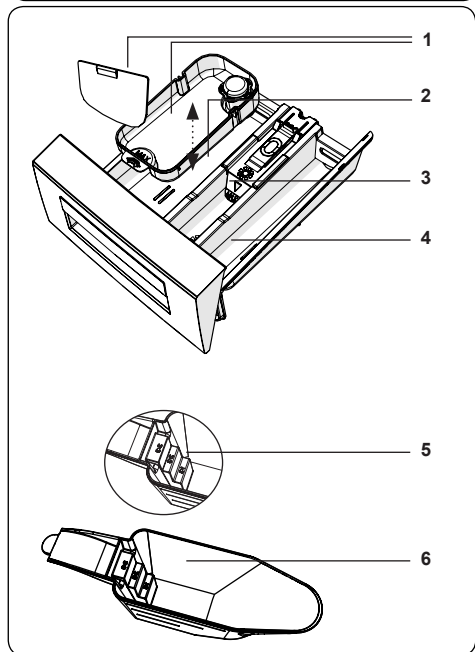
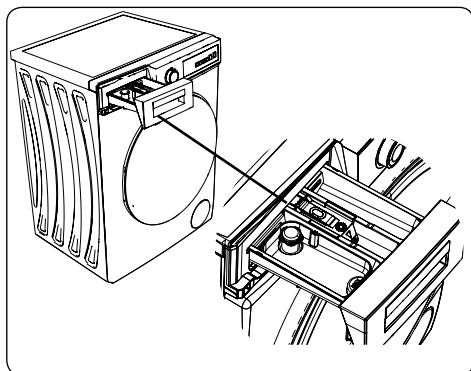
- Priključite crevo za odvod vode na statičnu slavinu ili na izlazno koleno kućnog slivnika, korišćenjem dodatne opreme.
- Nikada ne pokušavajte da produžite crevo za odvod vode.
- Ne stavljajte crevo za odvod vode iz vaše mašine u kontejner, kantu ili kadu.
- Uverite se da crevo za odvod vode nije savijeno, izvijeno, zgnječeno ili prošireno.
- Crevo za odvod vode mora da bude instalirano na maksimalnoj visini od 100 cm od poda.

## 4. PREGLED KONTROLNE TABLE



1. Dozirna posuda
2. Dugme za izbor programa
3. Elektronski displej

## 4.1 Dozirna posuda

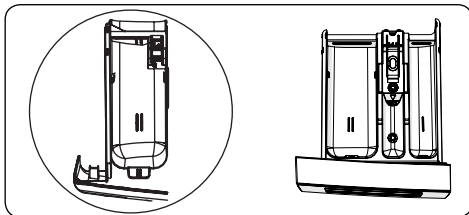


1. Prilozi za tečni deterdžent
2. Odeljak za deterdžent za glavno pranje
3. Odeljak za omekšivač
4. Odeljak za deterdžent za pretpranje
5. Nivoi za deterdžent u prašku (\*)
6. Kašika za deterdžent u prašku (\*)

(\*) Specifikacije mašine mogu da zavise od kupljenog proizvoda.

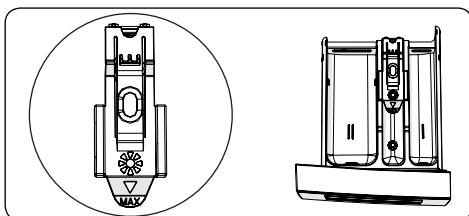
## 4.2 Odeljci

**Odeljak za deterdžent za glavno pranje:**



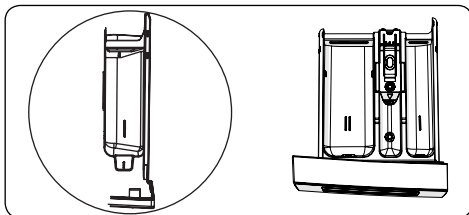
Ovaj odeljak je za tečni ili praškasti deterdžent ili odstranjivač kamenca. Ploča za nivo tečnog deterdženta je snabdevena unutar vaše mašine (\*)

**Odeljak za regenerator tkanine, štirak, deterdžent:**



Ovaj odeljak je za omekšivače, regeneratore ili štirak. Pratite uputstva na pakovanju. Ako omekšivači ostavljaju ostatke posle upotrebe, probajte da ih razblažite ili da koristite tečni omekšivač.

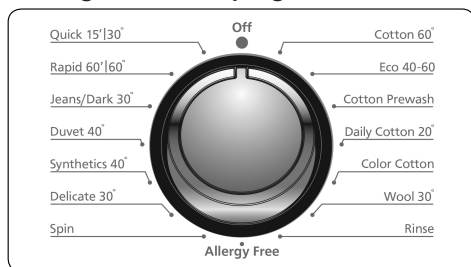
**Odeljak za deterdžent za pretpranje:**



Ovaj odeljak treba koristiti samo kada je odabrano pretpranje. Preporučujemo korišćenje pretpranja samo za mnogo prljav veš.

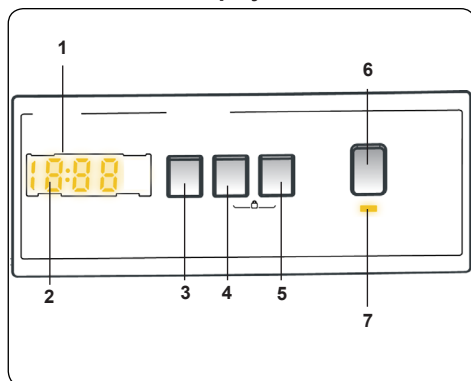
(\*) Specifikacije mašine mogu da zavise od kupljenog proizvoda.

### 4.3 Dugme za izbor programa



- Za izbor željenog programa, krenite dugme za izbor programa u smeru kazaljke na satu ili suprotnom smeru kazaljke na satu dok se oznaka na dugmetu ne poklopi sa izabranim programom.
- Vodite računa da dugme za izbor programa bude tačno na programu koji želite.

### 4.4 Elektronski displej



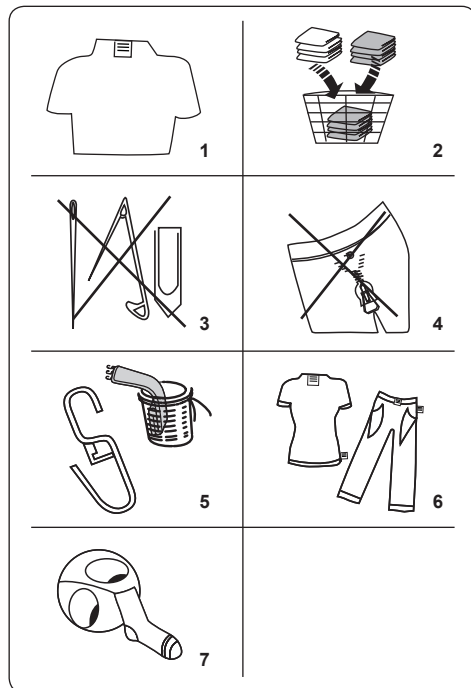
1. Elektronski displej
2. Digitalni displej
3. Dugme za podešavanje temperature vode
4. Dugme za podešavanje broja obrtaja
5. Dugme dodatne funkcije 1
6. Dugme za uključivanje/pauziranje
7. Lampica dugmeta za uključivanje/pauziranje

Ploča displeja prikazuje tajmer odlaganja pranja (ako je podešen), izbor temperature, brzinu centrifuge bilo koju izabranu dodatnu funkciju. Na ploči displeja se prikazuje „End (završetak)” kada je izabrani program

završen. Ploča ekrena takođe prikazuje ako se javi kvar na vašoj mašini.

## 5. KORIŠĆENJE MAŠINE ZA PRANJE VEŠA

### 5.1 Priprema vašeg veša



1. Pratite uputstva data na oznakama za održavanje odeće.
  - Odvojite vaš veš u skladu sa vrstom (pamuk, sintetika, osetljiv, vuna, itd), temperaturom pranja (hladno, 30°, 40°, 60°, 90°) i stepen prljavosti (blago prljavo, prljavo, mnogo prljavo).
2. Nemojte nikada prati obojeni veš zajedno sa belim.
  - Tamne tkanine mogu da sadrže višak boje i treba da ih perete nekoliko puta odvojeno.
3. Proverite da nema metalnih delova na vešu ili u džepovima; ako ih ima, izvadite ih.

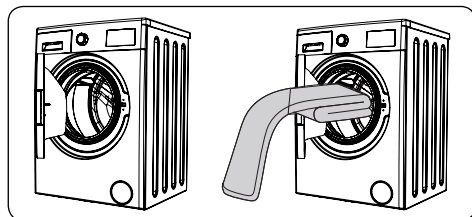
**! OPREZ:** Garancija ne pokriva kvarove nastale zbog stranih predmeta koji

dospeju u mašinu.

- Zatvorite rajsferšluse i pričvrstite bilo kakve kuke i petlje.
- Uklonite sve metalne ili plastične kuke sa zavesa ili ih stavite u mrežicu ili vrećicu za pranje.
- Izvrnite odeću kao što su pantalone, pletene stvari, majice i trenerke.
- Čarape, maramice i sličan sitan veš perite u mrežici za pranje.

 Može se izbeljivati	 Ne izbeljujte	 Normalno pranje
 Maksimalna temperatura peglanja 150 °C	 Maksimalna temperatura peglanja 200 °C	 Ne trljajte!
 Može biti hemijski čišćeno	 Bez hemijskog čišćenja	 Ravno sušenje
 Sušenje kapljanjem	 Suši se na žici za veš	 Ne sušite izvrtanjem
 Dozvoljeno je hemijsko čišćenje u gasnom ulju, čistom alkoholu i R113	 Perhloroetilen R11, R13, Petrolej	 Perhloroetilen R11, R113, gasno ulje

## 5.2 Stavljanje veša u mašinu



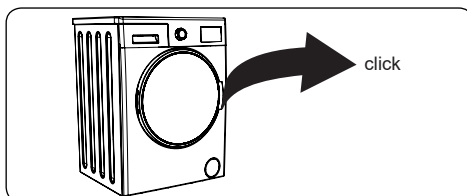
- Otvorite vrata mašine.
- Ravnomerno rasporedite vaš veš u mašini.

**NAPOMENA:** Vodite računa da ne prekoračite maksimalno punjenje bubnja jer će to dati slabe rezultate pranja i izazvati gužvanje. Pogledajte tabele programa pranja za informaciju o kapacitetima punjenja.

Sledeća tabela prikazuje približne težine tipičnih komada veša:

TIP VEŠA	TEŽINA (g)
Peškir	200
Platno	500
Bade-mantil	1200
Jorganski prekrivač	700
Jastučnica	200
Donji veš	100
Stolnjak	250

- Stavite svaki komad veša zasebno.
- Proverite da nijedan komad veša nije zaglavljen između gume i vrata.
- Nežno gurnite vrata dok ne škljocnu za zatvaranje.



- Uverite se da su vrata potpuno zatvorena, u suprotnom program se neće pokrenuti.

## 5.3 Dodavanje deterdženta u mašinu

Količina deterdženta koju sipate u mašinu će zavisi od sledećih kriterijuma:

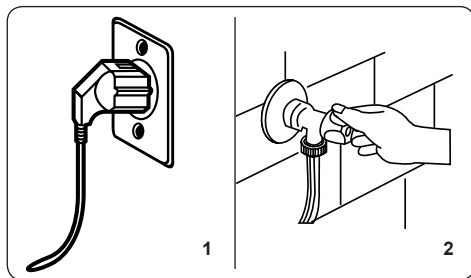
- Ako je vaš veš samo blago prljav, ne koristite pretpranje. Stavite malu količinu deterdženta (specifikovano od proizvođača) u odeljak II dozirne posude.
- Ako je vaš veš previše prljav, izaberite program pretpranja i stavite  $\frac{1}{4}$  deterdženta koji koristite u odeljak I dozirne posude i ostatak u odeljak II.
- Koristite deterdžente proizvedene za automatske mašine za pranje veša.

Pratite uputstva proizvođača o količini deterdženta koju treba da koristite.

- U oblastima gde je tvrda voda, treba staviti više deterdženta.
- Potrebna količina deterdženta će se povećati ako je u mašinu stavljeno više veša.
- Stavite omekšivač u središnji odeljak dozirne posude. Nemojte da sipate preko nivoa obeleženog sa „MAX“.
- Gusti omekšivači mogu izazvati zapušenje dozirne posude i treba ih razblažiti.
- Ako je moguće koristite tečne deterdžente za sve programe bez pretrpanja. Da biste ovo uradili, skliznite ploču za nivo tečnog deterdženta (\*) u vodilju u odeljak II dozirne posude. Koristite crtice na ploči kao vodilju za punjenje dozirne posude do potrebnog nivoa.

(\*) Specifikacije mašine mogu da zavise od kupljenog proizvoda.

#### 5.4 Rukovanje mašinom



1. Uključite mašinu u struju.
  2. Otvorite dovod za vodu.
- Otvorite vrata mašine.
  - Ravnomerno rasporedite vaš veš u mašini.
  - Nežno gurnite vrata dok ne škljocnu za zatvaranje.

#### 5.5 Izbor programa

Koristite tabele programa za izbor najadekvatnijeg programa za vaš veš.

#### 5.6 Sistem detekcije napunjenosti do pola

Mašina poseduje funkcije sistema detekcije napunjenosti do pola.

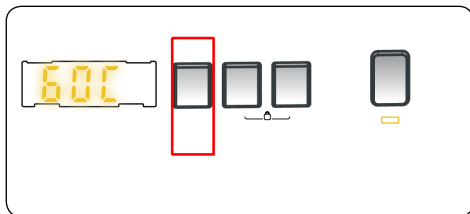
Ako stavite manje od pola maksimalnog punjenja veša u vašu mašinu ista će automatski podesiti funkciju napunjenosti do pola, bez obzira na program koji ste izabrali. Ovo znači da će izabrani program oduzeti manje vremena za završetak i manje vode i energije.

(\*) Zavisi od modela

#### 5.7 Dodatne funkcije

##### 1. Izbor temperature

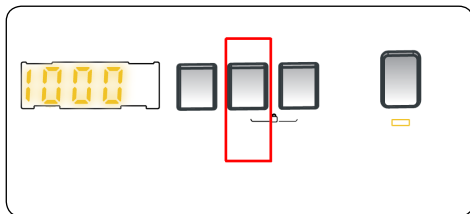
Koristite dugme za podešavanje temperature vode za menjanje automatski programirane temperatura vode za pranje.



Kada izaberete program maksimalna temperatura za taj program je automatski izabrana. Za podešavanje temperature, pritisnite dugme za podešavanje temperature vode dok se željena temperatura ne prikaže na digitalnom displeju.

Temperaturu vode za pranje možete postepeno da smanjujete između maksimalne temperature i hladnog pranja (- - C) pritiskom na dugme za podešavanje temperature.

##### 2. Izbor brzine centrifuge



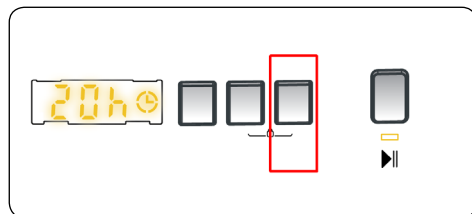
Kada izaberete program maksimalna brzina centrifuge je automatski izabrana.

Za podešavanje brzine centrifuge između maksimalne brzine centrifuge i otkazivanja opcije centrifuge (- - -), pritisnite dugme za brzinu centrifuge dok se ne prikaže željena brzina.



Ako ste preskočili brzinu centrifuge koju želite da podesite, nastavite da pritiskate dugme za podešavanje brzine centrifuge dok se željena brzina ponovo ne prikaže.

### 3. Tajmer s odloženim uključanjem



Možete koristiti pomoćnu funkciju za odlaganje vremena početka ciklusa pranja za 1 do 23 časova.

Da biste koristili funkciju odlaganja:

- Pritisnite jednom taster za odlaganje.
- Prikazaće se „01h“. Na elektronskom displeju će sijati ☹.
- Pritisnite taster za odlaganje dok ne dostignete vreme posle kojeg želite da vaša mašina počne proces pranja.
- Ako ste preskočili vreme odlaganja koje želite da podesite, možete nastaviti sa pritiskanjem tastera za odlaganje dok ne dođete ponovo do tog vremena.
- Za korišćenje funkcije odlaganja vremena, treba da pritisnete dugme za uključivanje/pauziranje da biste pokrenuli mašinu.
- Ako želite da otkazete odlaganje:
  - Ako ste pritisnuli taster za Uključivanje/Pauziranje za pokretanje mašine, treba samo da pritisnete jednom taster za odlaganje. ☹ će se ugasiti na elektronskom displeju.
  - Ako niste pritisnuli taster za Uključivanje/Pauziranje, pritisnite uzastopno taster za odlaganje dok se ☹ ne isključi sa elektronskog displeja. ☹ će se ugasiti na elektronskom displeju.

**NAPOMENA:** U slučaju da želite da izaberete pomoćnu funkciju, ako LED svetlo pomoćne funkcije nije upaljeno,

to znači da se ova odlika ne koristi u programu pranja koji ste izabrali.

### 4. Antialergijski program(\*)



Dugme za izbor pomoćne funkcije 3 Antialergijsko pranje

Možete da omogućite ovu dodatnu operaciju ispiranja za veš pomoću ove funkcije. Vaša mašina će obaviti sve korake ispiranja vrućom vodom. Preporučujemo ovo podešavanje za veš koji je nošen na delikatnoj koži, odeću za bebe i donji veš.

Za izbor ove funkcije, pritisnite dugme za Antialergijsko pranje kada se simbol ☼ prikaže.

### 5. Lako peglanje(\*)

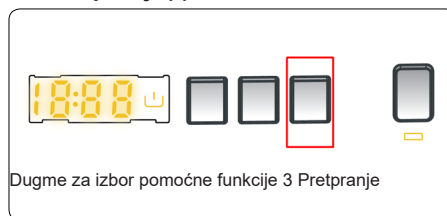


Dugme za izbor pomoćne funkcije 3 Lako peglanje

Korišćenje ove funkcije će rezultovati da vaš veš bude manje zgužvan na kraju odabranog programa pranja.

Za izbor ove funkcije, pritisnite dugme za Lako peglanje kada se simbol ☁ prikaže.

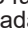
### 6. Pretpranje(\*)



Dugme za izbor pomoćne funkcije 3 Pretpranje

Ova dodatna funkcija omogućuje da obavite pretpranje jako prljavog veša pre nego što počne program glavnog pranja. Kada koristite ovu funkciju, deterdžent bi trebalo


da stavite u prednji odeljak za pranje u dozirnoj posudi.

Za izbor ove funkcije, pritisnite dugme za pretpranje kada se simbol  prikaže.

## 7. Dodatno ispiranje(\*)



Dugme za izbor pomoćne funkcije 3 Dodatno ispiranje

Možete da aktivirate dodatno ispiranje na kraju izabranog programa pranja korišćenjem dodatne funkcije. Za izbor ove funkcije, pritisnite dugme za Dodatno ispiranje kada se simbol  prikaže.


## 8. Brzo pranje(\*)




Dugme za izbor pomoćne funkcije 3 Brzo pranje

Pomoću ove pomoćne funkcije veš možete da operete za kraće vreme, trošeći manje struje i vode.

Preporučujemo korišćenje ove opcije samo kada perete manje od pola maksimalnog punjenja suvog veša za izabrani program

Za izbor ove funkcije, pritisnite dugme za brzo pranje kada se simbol  prikaže.


**ⓘ NAPOMENA:** Ako stavite manje od pola maksimalnog punjenja veša u vašu mašinu ista će automatski podesiti funkciju napunjenosti do pola, bez obzira na program koji ste izabrali. Ovo znači da će izabrani program oduzeti manje vremena za završetak i manje vode i energije. Kada mašina otkrije napunjenost do pola,  simbol će se automatski upaliti.

(\*) Zavisi od modela

## 9. Bez centrifuge(\*)



Dugme za izbor pomoćne funkcije 3 Bez centrifuge

Ako ne želite da uključite centrifugu za veš, možete da koristite ovu pomoćnu funkciju. Program možete da uključite ako pritisnete dugme za otkazivanje centrifuge na ploči displeja kada se led svetlo simbola  upali.


## 10. Hladno pranje(\*)



Dugme za izbor pomoćne funkcije 3 Hladno pranje

Možete koristiti ovu pomoćnu funkciju kada

želite da perete vaš veš hladnom

vodom (vodom iz česme). Program možete da uključite ako pritisnete dugme za hladno pranje na ploči displeja kada se led svetlo simbola  upali.

(\*) Specifikacije mašine mogu da zavise od kupljenog proizvoda.

## dugme „Start/Pause“ (Uključivanje/pauziranje)



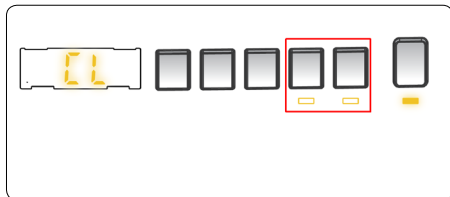
Ako pritisnete dugme „Start/Pause“, možete da pokrenete izabrani program ili pauzirate tekući program. Ako prebacite mašinu na režim mirovanja, na elektronskom displeju će treperiti led

lampica za uključivanje/pauziranje.

### 5.8 Zaštita za decu

Funkcija Zaštite za decu vam omogućava da zaključate dugmad tako da se ciklus pranja koji ste izabrali ne može promeniti nenamerno.

Za aktiviranje zaštite za decu, pritisnite i držite dugme 2 i 3 zajedno najmanje 3 sekunde. Na elektronskom displeju će 2 sekunde treperiti „CL“ kada je zaštita za decu aktivirana.



Ako je pritisnuto bilo koje dugme ili je izabrani program promenjen dugmetom za izbor programa dok je zaštita za decu aktivna, na elektronskom displeju će 2 sekunde trepereti simbol „CL“.

Ako je funkcija zaštite za decu aktivirana, a program i dalje radi, dugme za izbor programa se prebacuje u položaj CANCEL (otkazivanje) i bira se drugi program; prethodno izabrani program nastavlja gde je stao.

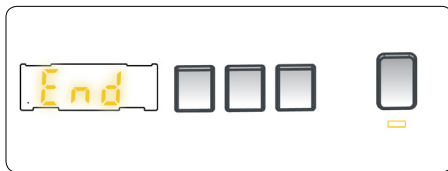
Za deaktiviranje zaštite za decu, pritisnite i držite dugme 2 i 3 zajedno najmanje 3 sekunde dok sa elektronskog displeja ne nestane simbol „CL“.

### 5.9 Otkazivanje programa

**Za otkazivanje uključenog programa u svako vreme.**

1. Prebacite dugme za izbor programa u položaj „STOP“.
2. Mašina će zaustaviti pranje i program će biti otkazan.
3. Okrenite dugme za izbor programa na bilo koji drugi program da bi izbacili vodu iz mašine.
4. Mašina će obaviti potrebno izbacivanje vode i otkazati program.
5. Sada možete izabrati i pokrenuti novi program.

### 5.10 Kraj programa



Mašina će se sama zaustaviti čim se izabrani program završi.

- Na elektronskom displeju će treperiti „END(KRAJ)” „END“.
- Možete da otvorite vrata mašine i izvadite veš.
- Ostavite vrata mašine otvorena da biste dozvolili da se unutrašnji deo mašine osuši.
- Prebacite dugme za izbor programa u položaj „STOP“.
- Isključite mašinu iz struje.
- Zatvorite slavinu za vodu.

## 6. TABELA PROGRAMA

Program	Temperatura pranja (°C)	Maksimalna količina veša za sušenje (kg)	Odejak za deterdžent	Trajanje programa (min.)	Tip veša / opisi
PAMUK 60°	*60-90-80-70-40	9,0	2	230	Jako prljav pamuk i lan. (Donji veš, lan, stolnjaci, peškiri (maksimalno 4,5kg), posteljina itd.)
ECO 40-60	*40 - 60	9,0	2	228	Prljav pamuk i lan. (Donji veš, lan, stolnjaci, peškiri (maksimalno 4,5 kg), posteljina itd.)
PRETPRANJE PAMUKA	*60 - 50 - 40 - 30 - "- -C"	9,0	1&2	164	Prljav pamuk i lan. (Donji veš, lan, stolnjaci, peškiri (maksimalno 4,5 kg), posteljina itd.)
SVAKODNEVNO PAMUK 20°	*20- "- -C"	4,5	2	96	Manje prljav pamuk i lan. (Donji veš, čaršavi, stolnjaci, peškiri (maksimalno 2,5 kg), posteljina itd.)
OBOJENI PAMUK	*40 - 30 - "- -C"	3,5	2	222	Manje prljav pamuk i lan. (Donji veš, čaršavi, stolnjaci, peškiri (maksimalno 2,5 kg), posteljina itd.)
WOOL (VUNA) 30°	*30 - "- -C"	2,5	2	43	Vuneni veš sa oznakama za pranje u mašini.
RINSE (ISPIRANJE)	*"- -C"	9,0	-	30	Obavlja dodatno ispiranje za sve vrste veša posle ciklusa pranja.
ALLERGY FREE	*60 - 50 - 40 - 30 - "- -C"	4,0	2	197	Odeća za bebe
CENTRIFUGA	*"- -C"	9,0	-	17	Možete koristiti ovaj program za sve vrste veša ako želite dodatni korak centrifuga posle ciklusa pranja.
OSETLJIVO 30°	*30 - "- -C"	2,5	2	90	Veš za koji se preporučuje ručno pranje ili osetljivi veš.
SINETIKA 40°	*40 - 30 - "- -C"	3,5	2	110	Veoma prljav ili tekstil sa mešavinom sintetike. (Najlon čarape, košulje, bluze, pantalone koje sadrže sintetiku itd.)
JORGAN 40°	*40 - 30 - "- -C"	-	2	103	Za pranje vlaknastih jorgana sa oznakom za pranje u mašini. (maksimalno 2.5 kg)
DŽINS/TAMNA ODEĆA 30°	*30 - "- -C"	3,5	2	96	Crne i tamne stvari napravljene od pamuka, mešanih vlakana ili džinsa. Perite prevrnutu, džins često sadrži višak boje koja može da krene da se skida tokom prvih nekoliko pranja. Perite svetle i tamno obojene stvari odvojeno.
UBRZANO 60'160°	*60 - 50 - 40 - 30 - "- -C"	4,0	2	60	Prljavi pamuk, šarene i lanene tkanine prane na 60°C za 60 minuta.
BRZO 15'130°	*30 - "- -C"	2,0	2	15	Blago zaprljan veš, pamuk, veš u boji i lan možete kratko da operete tokom 15 minuta.



**NAPOMENA: TRAJANJE PROGRAMA MOŽE DA VARIRA U ZAVISNOSTI OD KOLIČINE VEŠA, VODE SA ČESME, TEMPERATURE OKRUŽENJA I IZBORA DODATNIH FUNKCIJA.**

**(\*) Programska temperatura vode za pranje je zadata fabrički.**

**(\*\*) Ako vaša mašina ima pomoćnu funkciju brzog pranja, možete omogućiti opciju brzog pranja na ploči displeja i da napunite mašinu sa 2 kg ili manje veša za njegovo pranje od 30 minuta.**

**(\*\*\*) Zbog kraćeg vremena trajanja ovog programa preporučujemo korišćenje manje količine deterdženta. Program može trajati duže od 15 minuta ako mašina otkrije neujednačeno punjenje. Možete da otvorite vrata mašine 2 minuta nakon dovršetka operacije pranja. (Period od 2 minute nije uključuen u trajanje programa).**

**U skladu sa regulativom 1015/2010 i 1061/2010, program 1 i program 2 se odnose na 'Standardni program za pamuk 60°C' i 'Standardni program za pamuk 40°C'.**

**Program Eko 40-60 omogućuje pranje normalno zaprljanog veša označenog za pranje na 40°C ili 60°C, zajedno u istom ciklusu, i da se ovaj program koristi radi usklađivanja sa zakonodavstvom EU o ekodizajnu.**

- Najefikasniji programi u smislu uštede energije su generalno oni koji se izvode na nižim temperaturama i dužim trajanjem.
- Punjenje mašine za pranje veša za domaćinstvo do kapaciteta predviđenog od proizvođača za odgovarajuće programe će doprineti uštedi energije i vode.
- Vrednosti trajanja programa, potrošnje energije i potrošnje vode mogu varirati u skladu sa težinom i vrstom punjenja za pranje, odabranih dodatnih funkcija, vode iz slavine i temperature okoline.
- Preporučeno je da se koristi tečni deterdžent za programe pranja na niskoj temperaturi. Količina deterdženta koja se koristi može varirati zavisno od količine veša i nivoa zaprljanosti veša. Molimo pratite preporuke proizvođača o deterdžentu za količinu deterdženta koju koristite.
- Buka i sadržaj preostale vlage su pod uticajem brzine centrifuge. Viša brzina centrifuge u fazi centrifugiranja, viša buka i niži sadržaj preostale vlage.
- Možete pristupiti bazi podataka proizvoda gde su uskladištene informacije o modelu čitanjem QR koda na energetske oznaci.

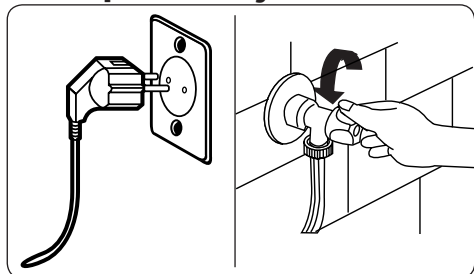
Ime programa	Nominalni kapacitet kg	Potrošnja energije kWh/cycle (kWh/ciklus)			Trajanje programa Časova: Minuta			Potrošnja vode Litara / Ciklus			Maks. Temperatura °C			Sadržaj preostale vlage % 1400 o/min		
		Nominalni kapacitet	1/2 Punjenja	1/4 Punjenja	Nominalni kapacitet	1/2 Punjenja	1/4 Punjenja	Nominalni kapacitet	1/2 Punjenja	1/4 Punjenja	Nominalni kapacitet	1/2 Punjenja	1/4 Punjenja	Nominalni kapacitet	1/2 Punjenja	1/4 Punjenja
Pamuk 90°	9	2,4			03:13			84			81			53%		
Pamuk 60°	9	1,35			03:50			57			57			53%		
Ekološki 40-60	9	1,26	0,71	0,36	03:48	02:54	02:54	57	48	36	45	36	26	53%	53%	53%
Sintetika 40°	3,5	0,57			01:50			50			42			53%		
Ubrzано 60/160°	4	1,11			01:00			35			58			53%		
Svakodnevno pamuk 20°	4,5	0,21			01:36			53			20			53%		

## 6.1 Važne informacije

- Koristite samo deterdžente, omekšivače i druge dodatke povoljne za automatske mašine za pranje veša. Višak pene može da se javi i sistem automatske apsorpcije se aktivira usled prekomerne upotrebe deterdženta.
  - Preporučujemo periodično čišćenje mašine za pranje veša na svaka 2 meseca. Za periodično pranje koristite program za čišćenje bubnja. Ako vaša mašina nema program za čišćenje bubnja, koristite program za Pamuk-90. Kada je potrebno, koristite odstranjivače kamenca proizvedene specifično samo za mašine za pranje veša.
  - Nemojte nikada otvarati vrata na silu dok mašina za pranje veša radi. Možete da otvorite vrata mašine 2 minuta nakon dovršetka operacije pranja. \*
  - Nemojte nikada otvarati vrata na silu dok mašina za pranje veša radi. Vrata će se otvoriti odmah po završetku ciklusa pranja. \*
  - Postupci instalacije i popravljanja treba uvek da budu sprovedeni od ovlašćenog servisera da bi se izbegli mogući rizici. Proizvođač neće biti odgovoran za štete koje mogu nastati zbog sprovođenja procedura od neovlašćenih lica.
- (\* ) Specifikacije mašine mogu da zavise od kupljenog proizvoda.

# 7. ČIŠĆENJE I ODRŽAVANJE

## 7.1 Upozorenje



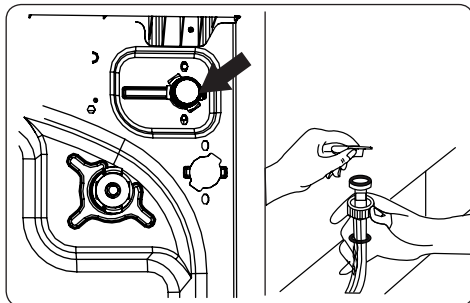
Isključite strujno napajanje i izvadite utikač iz utičnice pre nego što obavite održavanje i čišćenje mašine.

Zavrните slavinu za vodu pre nego što počnete s održavanjem i čišćenjem mašine.

**⚠ OPREZ:** Nemojte koristiti razređivače, abrazivna sredstva za čišćenje, sredstva za čišćenje stakla ili univerzalna sredstva za čišćenje za čišćenje mašine za pranje veša. Isti mogu oštetiti plastične površine i druge delove hemikalijama koje sadrže.

## 7.2 Filteri za dovod vode

Filteri za dovod vode srećavaju da prljavština i strani materijali uđu u mašinu. Preporučujemo da ove filtere čistite kada mašina ne prima dovoljno vode, iako je dovod vode uključen i slavina odvrnuta. Preporučuje se da filtere za dovod vode čistite jednom u 2 meseca.

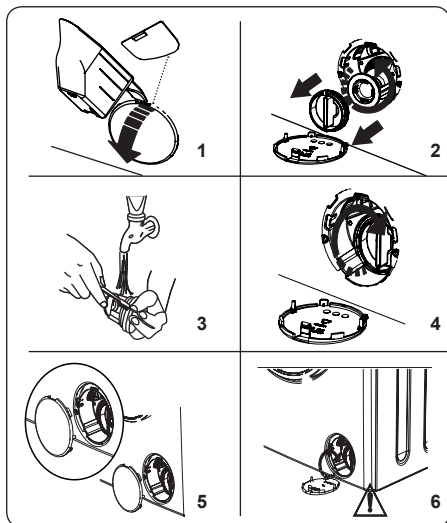


- Odstegnite crevo(a) za dovod vode sa mašine za ranje veša.
- Za vađenje filtera za dovod vode sa ventila dovoda vode, koristite par dugačkih klešta za nežno navlačenje plastične šipke u filter.
- Drugi filter za dovod vode se nalazi na kraju slavine creva za dovod vode. Za vađenje drugog filtera za dovod vode, koristite par dugačkih klešta za nežno navlačenje plastične šipke u filter.
- Temeljno očistite filter mekanom četkom i operite sapunjavom vodom pa temeljno isperite. Vratite filter nežno guranjem nazad na svoje mesto.

**⚠ OPREZ:** Filteri na ventilu dovoda vode mogu biti zapušeni zbog kvaliteta vode ili nedostatka potrebnog održavanja pa se mogu slomiti. Ovo može izazvati curenje vode. Bilo kakva lomljenja ovkve vrste nisu pod garancijom.



### 7.3 Filter pumpe



Sistem filtera pumpe u vašoj Mašini za pranje veša produžuje život pumpe sprečavanjem otpadaka od tkanine da uđu u mašinu.

Preporučujemo da čistite filter pumpe jednom na svaka 2 meseca

Filter pumpe je lociran iza poklopac u prednjem desnom donjem uglu.

Za čišćenje filtera pumpe

1. Možete koristiti lopatu za prašak za pranje (\*) snabdeven uz mašinu ili ploču za nivo tečnog deterdženta za otvaranje poklopca pumpe.
  2. Stavite kraj lopte za prašak ili ploče z nivo tečnog deterdženta na otvor poklopca i nežno pritisnite unazad. Poklopac će se otvoriti.
- Pre otvaranja pokopca filtera, stavite kantu ispod poklopca filtera za skupljanje vode koja je ostala u mašini.
  - Odstegnite filter okretanjem u smeru suprotno od kazaljke na satu i izvadite ga povlačenjem. Sačekajte da se voda izbaci.

**ONAPOMENA:** Možda ćete morati da praznite kantu za prikupljanje vode nekoliko puta u zavisnosti od količine vode u mašini.

3. Uklonite bilo koje strane materijale iz filtera mekanom četkom.

4. Posle čišćenja, vratite filter stavljanjem i okretanjem u smeru kazaljke na satu.
5. Dok zatvarate poklopac pumpe, vodite računa da se delovi na unutrašnjoj strani poklopca poklapaju sa otvorima na prednjoj strani poklopca.
6. Zatvorite poklopac filtera.

**UPOZORENJE:** Voda u pumpi može da bude vrela, sačekajte dok se ne ohladi pre nego obavite bilo kakvo čišćenje ili održavanje.

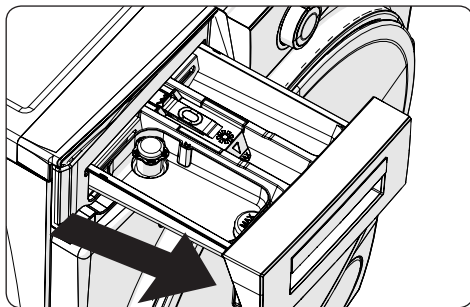
(\*) Specifikacije mašine mogu da zavise od kupljenog proizvoda.

### 7.4 Dozirna posuda

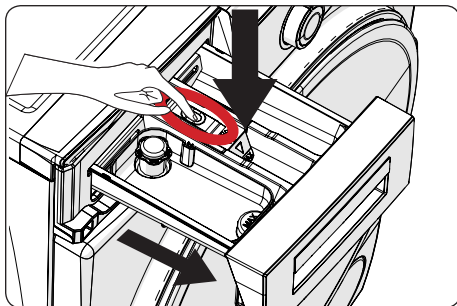
Upotreba deterdženta tokom vremena može izazvati stvaranje ostataka u dozirnoj posudi. Preporučujemo da skidate dozirnu posudu svaka 2 meseca i da čistite nataložene ostatke.

Da biste skinuli dozirnu posudu:

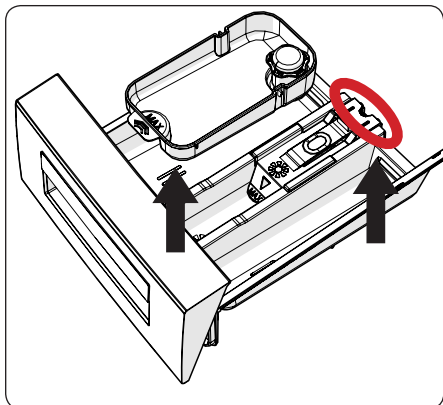
- Povucite dozirnu posudu unapred dok se sasvim ne izvuče.



- Pritisnite deo prikazan ispod u dozirnoj posudi koju ste povukli do kraja, i nastavite povlačenje i skidanje dozirne posude sa njenog mesta.



- Skinite dozirnu posudu i demontrajte zatvarač za mlaz tečnosti. Očistite temeljno za potpuno uklanjanje bilo kakvih ostataka omekšivača. Vratite zatvarač z mlaz tečnosti posle čišćenja i proverite dali je ulegao pravilno.



- Isperite četkom i većom količinom vode.
- Prikupite ostatke unutar preseza dozirne posude kako isti ne bi upali u mašinu.
- Osušite dozirnu posudu peškirom ili suvom krpom i vratite ga nazad.

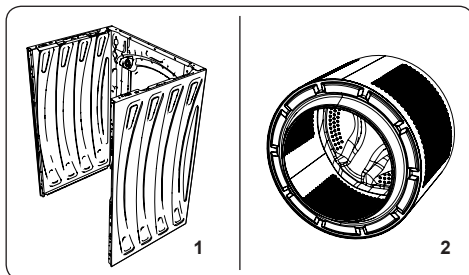
**!** Nemojte da perete dozirnu posudu u mašini za pranje sudova.

#### Mehanizam za tačni deterdžent (\*)

Za čišćenje i održavanje mehanizma za nivo tečnog deterdženta, skinite mehanizam sa njegovog mesta kao što je prikazano na slici ispod i temeljno očistite ostatke deterdženta. Vratite mehanizam na svoje mesto. Uverite se da ostaci nisu ostali u sifonu.

(\*) Specifikacije mašine mogu da zavise od kupljenog proizvoda.

## 8. Kućište / Bubanj



### 1. Kućište

Koristite blaga, neabrazivna sredstva za čišćenje ili sapun i vodu za čišćenje spoljnih delova kućišta. Obrišite suvom mekanom krpom.

### 2. Bubanj

Nemojte da ostavljate u mašini metalne predmete kao što su igle, spjalice, novčići itd. Ovi predmeti dovode do stvaranja rđe u bubnju. Da biste očistili rđu koristite sredstvo za čišćenje bez hlora i pratite uputstva proizvođača sredstva za čišćenje. Nikada nemojte koristiti staklenu vunu ili slične čvrste predmete za čišćenje rđe.

## 9. REŠAVANJE PROBLEMA

Sve popravke mašine treba da vrši ovlašćeni serviser. Ako je potrebna popravka mašine ili ako ne možete da rešite problem pomoću dole datih informacije, onda treba da:

- Isključite mašinu iz struje.
- Zatvorite dovod za vodu.

KVAR	MOGUĆI UZROK	REŠAVANJE PROBLEMA
Mašina se ne pokreće.	Nije uključena u struju.	Uključite mašinu u struju.
	Osigurači su neispravni.	Zamenite osigurače.
	Nema strujnog napajanja.	Proverite strujnu mrežu.
	Nije pritisnuto dugme za uključivanje/pauziranje.	Pritisnite dugme za uključivanje/pauziranje.
	Dugme za izbor programa u položaju 'stop'.	Prebacite dugme za izbor programa u željeni položaj.
	Vrata mašine nisu u potpunosti zatvorena.	Zatvorite vrata mašine.
Mašina ne prima vodu.	Slavina za vodu je zavrnutu.	Odvrnite slavinu za vodu.
	Crevo za dovod vode je možda uvrnuto.	Proverite crevo za dovod vode i odvrnite ga.
	Crevo za dovod vode je možda zapušeno.	Očistite filtere creva za dovod vode. (*)
	Filter pumpe je zapušen.	Očistite filtere dovoda. (*)
	Vrata mašine nisu u potpunosti zatvorena.	Zatvorite vrata mašine.
Mašina ne izbacuje vodu.	Crevo za odvod je možda zapušeno ili uvrnuto.	Proverite crevo za izbacivanje vode i očistite ili odvrnite.
	Filter pumpe je zapušen.	Očistite filter pumpe. (*)
	Veš je previše zbijeno stavljen u bubanj.	Ravnomerno rasporedite vaš veš u mašini.
Mašina vibrira.	Postolje nije podešeno.	Podesite postolje. (**)
	Transportne blokade nisu uklonjene.	Uklonite transportne blokade sa mašine. (**)
	Malo punjenje bubnja.	Ovo neće sprečiti rad mašine.
	Mašina je prenapunjena većom ili veš nije dobro raspoređen.	Nemojte da pretrpavate bubanj. Ravnomerno rasporedite vaš veš u bubnju.
	Mašina stoji na tvrdj površini.	Ne postavljajte vašu mašinu za pranje veša na tvrdu površinu.
U dozirnoj posudi se pravi prekomerna pena.	Koristi se prekomerna količina deterdženta.	Pritisnite dugme za uključivanje/pauziranje. Za zaustavljanje pene, razblažite jednu kašiku omešivača u 1/2 litre vode i sipajte u dozirnu posudu. Pritisnite dugme za uključivanje/pauziranje posle 5-10 minuta..
	Koristi se pogrešni deterdžent.	Koristite samo deterdžente proizvedene za automatske mašine za pranje veša.
Nezadovoljavajući rezultati pranja.	Vše pranje je previše prlavo z izabrani program.	Koristite tabele programa za izbor najadekvatnijeg programa.
	Koristi se nedovoljna količina deterdženta.	Koristite količinu deterdženta kao što je navedeno u uputstvu na pakovanju.
	Ima previše veša u mašini.	Proverite da maksimalni kapacitet za izabrani program nije prekoračen.

KVAR	MOGUĆI UZROK	REŠAVANJE PROBLEMA
Nezadovoljavajući rezultati pranja.	Tvrda voda.	Povećajte količinu deterdženta prateći uputstva proizvođača.
	Veš je previše zbijeno stavljen u bubanj.	Proverite da veš bude ravnomerno raspoređen.
Čim se mašina napuni vodom, voda se izbacuje.	Kraj creva za odvod vode je postavljen previše nisko za mašinu.	Proverite da crevo za odvod vode bude na odgovarajućoj visini. (**)
Nema vode u bubnju tokom pranja.	Bez kvara. Voda se nalazi u delu bubnja koji ne vidite.	.....
Veš ima na sebi ostatke deterdženta.	Čestice nekih deterdženata koje se ne rastvaraju se mogu zalepiti za veš u vidu belih tačkica.	Obavite dodatno ispiranje, ili očistite veš četkom nakon što se osuši.
Sive tačkice se pojavljuju na vešu.	Ima neobrađenog ulja, kreme ili masti na vašem vešu.	Koristite količinu deterdženta kao što je navedeno u uputstvu na pakovanju za naredno pranje.
Ciklus centrifuge ne počinje ili počinje kasnije od očekivanog.	Bez kvara. Aktiviran je sistem za kontrolu neuravnotežene napunjenosti.	Sistem za kontrolu neuravnotežene napunjenosti će pokušati da jednako rasporedi veš. Centrifuga će početi nakon raspoređivanja veša. Napunite bubanj jednako za naredno pranje.

(\*) Pogledajte poglavlje o održavanju i čišćenju mašine.

(\*\*) Pogledajte poglavlje o instalaciji mašine.

## 10. AUTOMATSKA UPOZORENJA O GREŠCI I ŠTA PREDUZETI

Vaša mašina za pranje veša je opremljena ugrađenim sistemom za otkrivanje grešaka, koji je prikazan kombinacijom treperećih svetala za operacije pranja. Najčešći kodovi grešaka su prikazani niže:

KOD GREŠKE	MOGUĆI KVAR	ŠTA UČINITI
E01	Vrata mašine nisu pravilno zatvorena.	Zatvorite pravilno vrata dok ne čujete škljocanje. Ako mašina i dalje prikazuje grešku, isključite je, izvucite iz struje i kontaktirajte najbližeg ovlašćenog servisera.
E02	Pritisak vode ili nivo vode u mašini može biti nizak.	Proverite da li je slavina potpuno odvrnuta. Možda je prekinut dovod vode iz vodovoda. Ako se problem nastavi, mašina će se automatski zaustaviti nakon određenog vremena. Izvucite mašinu iz struje, zavrnite slavinu i kontaktirajte najbližeg ovlašćenog servisera.
E03	Pumpa je u kvaru ili je filter pumpe zapušen ili je električni priključak pumpe u kvaru.	Očistite filter pumpe. Ako se problem nastavi, kontaktirajte najbližeg ovlašćenog servisera. (*)
E04	Mašina ima prekomernu količinu vode.	Mašina će sama izbaciti vodu. Čim se voda izbaci, isključite mašinu i izvadite utikač iz struje. Zavrnite slavinu i kontaktirajte najbližeg ovlašćenog servisera.

(\*) Pogledajte poglavlje o održavanju i čišćenju mašine.

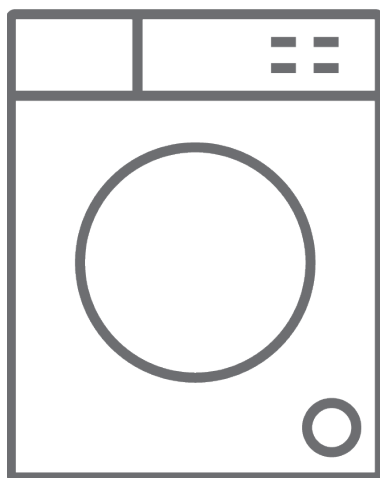


<https://www.voxelectronics.com>  
[callcenter@voxelectronics.com](mailto:callcenter@voxelectronics.com)





**МК** Машина за перење / Прирачник за корисници




**WM1495-YT1QD**

## Ви благодариме што го избравте овој производ.

Овој „Прирачник за корисници“ содржи важни безбедносни информации и упатства околу работата и одржувањето на вашиот уред.

Ве молиме одвојте време за да го прочитате прирачникот пред да го користите уредот и чувајте го за идни потреби.

Икона	Тип	Значење
	<b>ПРЕДУПРЕДУВАЊЕ</b>	Ризик од сериозна повреда или смрт
	<b>РИЗИК ОД СТРУЕН УДАР</b>	Ризик од опасен напон
	<b>ПОЖАР</b>	Предупредување; Ризик од пожар / запаливи материјали
	<b>ВНИМАНИЕ</b>	Ризик од повреда или оштета на имот
	<b>ВАЖНО / ЗАБЕЛЕШКА</b>	Правилна работа на системот

# СОДРЖИНА

<b>1. БЕЗБЕДНОСНИ УПАТСТВА</b> .....	<b>1</b>
1.1 Општи безбедносни предупредувања .....	2
1.2 За време на користење .....	7
1.3 Амбалажата и животната средина .....	9
1.4 Информации за заштеда .....	9
<b>2. ТЕХНИЧКИ СПЕЦИФИКАЦИИ</b> .....	<b>11</b>
2.1 Општ изглед .....	11
2.2 Технички спецификации .....	11
<b>3. ПОСТАВУВАЊЕ</b> .....	<b>12</b>
3.1 Отстранување на шрафовите за блокада при транспорт .....	12
3.2 Прилагодување на ногарките / Прилагодување на ногарките со прилагодлива висина .....	12
3.3 Електрично поврзување .....	13
3.4 Поврзување на цреводо за довод на вода .....	13
3.5 Поврзување на одводот за вода .....	14
<b>4. ПРЕГЛЕД НА ПАНЕЛ СО КОНТРОЛИ</b> .....	<b>14</b>
4.1 Фиока за детергент .....	15
4.2 Делови .....	15
4.3 Копче за избор на програма .....	16
4.4 Електронски екран .....	16
<b>5. КОРИСТЕЊЕ НА МАШИНАТА ЗА ПЕРЕЊЕ</b> .....	<b>16</b>
5.1 Подготовка на алиштата .....	16
5.2 Ставање на алиштата во машината .....	17
5.3 Ставање детергент во машината .....	18
5.4 Работа со машината .....	18
5.5 Избирање програма .....	18
5.6 Систем за откривање на полупразен барабан .....	18
5.7 Дополнителни функции .....	19
5.8 Блокатор за деца .....	22
5.9 Откажување на програма .....	22
5.10 Крај на програма .....	22
<b>6. ТАБЕЛА СО ПРОГРАМИ</b> .....	<b>23</b>
6.1 Важни информации .....	26
<b>7. ЧИСТЕЊЕ И ОДРЖУВАЊЕ</b> .....	<b>27</b>
7.1 Предупредување .....	27
7.2 Филтри за довод на вода .....	27
7.3 Филтер за пумпа .....	28
7.4 Фиока за детергент .....	28
<b>8. КУКИШТЕ / БАРАБАН</b> .....	<b>29</b>
<b>9. РЕШАВАЊЕ ПРОБЛЕМИ</b> .....	<b>30</b>
<b>10. АВТОМАТСКИ ПРЕДУПРЕДУВАЊА ЗА ДЕФЕКТ И ШТО ДА СЕ НАПРАВИ</b> .....	<b>31</b>



# 1. БЕЗБЕДНОСНИ УПАТСТВА

Работен напон / фреквенција:	(220-240) V~/50Hz
Вкупно струја (A)	10
Притисок на вода (Mpa)	Максимум 1 Mpa / Минимум 0,1 Mpa
Вкупно напојување (W)	2200
Максимален капацитет на перење (сува облека) (kg)	9

- Не поставувајте ја машината на тепих или слични подлоги што ќе ја спречат вентилацијата оддолу.
- Уредот не е наменет да го користат лица (вклучително и деца) чиешто физички, сетилни или ментални способности не се целосно развиени или лица кои немаат доволно искуство или познавања, освен ако се под надзор на друго лице, или ако се обучени како безбедно да го користат производот од лице кое е одговорно за нивната безбедност.
- Не треба да се приближуваат деца помали од 3 години, освен ако се под постојан надзор.
- Повикајте го најблискиот центар за овластен сервис да ги замени оштетените кабли за напојување.
- Кога ја поврзувате машината со довод на вода користете го само новото црево за довод на вода што се доставува со машината. Никогаш не користете стари, употребувани или оштетени црева за довод на водата.

- Децата не треба да си играат со уредот. Децата коишто не се под надзор не треба да ја чистат или да работат на одржување на машината.

**👉 ЗАБЕЛЕШКА:** Ако сакате копија од овој прирачник за корисници, ве молиме контактирајте преку следната адреса: “washingmachine@standardtest.info”. Ве молиме во е-поштата напишете го името на моделот и сервискиот број на уредот (20 цифри), кои можете да ги најдете на вратата од уредот.

**Внимателно прочитајте го прирачникот за корисници.**



**Машината е исклучиво за домашна употреба. Користењето за комерцијални цели ќе доведе до поништување на гаранцијата.**

**Овој прирачник е наменет за повеќе од еден модел, па затоа вашиот уред може да нема некоја од карактеристиките кои се наведени овде. Поради оваа причина, важно е да посветите многу внимание на сликите додека го читате прирачникот за корисници.**

### **1.1 Општи безбедносни предупредувања**

- Околната температура која е неопходна за идеална работа на машината е 15-25 °C.
- Во простории каде што температурата е под 0 °C, цревата може да се раздвојат и електронската картичка може да не работи

правилно.

- Ве молиме погрижете се во облеката која ја ставате во машината за перење да нема надворешни предмети како што се шајки, игли, запалки и монети.
- **Се препорачува на првото вклучување на машината да ја одберете програмата 90° Cotton без да внесете облека и до пола наполнете ја преградата за детергент II од фиоката за детергент.**
- Може да се наталожат детергент и омекнувач кои долго време биле изложени на воздух. Омекнувач или детергент се става во фиоката исклучиво на почетокот на секое перење.
- Ако машината за перење била надвор од употреба долг временски период, тогаш исклучете ја машината од струја и исклучете го доводот на вода. Препорачуваме и да ја оставате вратата отворена за да се спречи наталожување на влажност во внатрешноста на машината.
- Како резултат на проверка на квалитетот за време на обработката, може да остане мала количина на вода во машината. Тоа нема да влијае на работата на машината.
- Амбалажата на машината може да биде опасна за деца. Не дозволувајте деца да си играат со амбалажата или со малите делови од машината за перење.
- Чувајте го материјалот од амбалажата на места надвор од дофат на деца, или фрлете ги на соодветно место.
- Програмите за предперење користете ги само

за многу валкана облека.

**⚠**Никогаш не отворајте ја фиоката за детергент додека машината работи.

- Во случај на дефект исклучете ја главната електрична мрежа на машината и исклучете ја водоводната инсталација. Не обидувајте се сами да ја поправите машината. Секогаш контактирајте го најблискиот овластен сервисер.
- Не надминувајте го препорачаниот максимум на облека за програмата за перење која сте ја одбрале.

**⚠**Не отворајте ја насила вратата од машината додека машината работи.

- Перењето облека на којашто има брашно може да ја оштети машината.
- Ве молиме следете ги упатствата на производителот што се однесуваат на употребата на омекнувач или слични производи кои имате намера да ги користите во машината за перење.
- Погрижете се вратата од машината за перење да не е ограничена и да може целосно да се отвори.

Поставете ја машината на место каде што ќе биде целосно проветрена и каде што има постојано кружење на воздух.

**⚠**Прочитајте ги предупредувањата. Следете ги советите кои се дадени за ваша лична заштита и за заштита на останатите од ризици

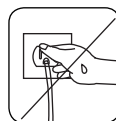
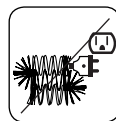
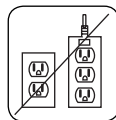
**и опасни повреди.**

## **РИЗИК ОД ИЗГОРЕНИЦИ**

⚠ Не допирајте го цревото за одвод или отпадната вода додека машината сè уште работи. Високите температури носат ризик од изгореници.

## **⚠⚡ РИЗИК ОД СМРТ ПРЕДИЗВИКАНА ОД ЕЛЕКТРИЧНА СТРУЈА**

- Не приклучувајте ја машината на електрично напојување со помош на продолжен кабел.
- Не вметнувајте оштетен приклучник во штекерот.
- Никогаш не вадете го приклучникот од штекерот со влечење на кабелот. Секогаш држете го приклучникот.
- Никогаш не допирајте го кабелот за струја/приклучникот со мокри раце, бидејќи тоа предизвикува краток спој или струен удар.
- Не допирајте ја машината ако рацете или стапалата ви се мокри.
- Оштетен кабел за струја/приклучник, може да предизвика пожар или струен удар. Ако е оштетен, мора да биде заменет исклучиво од квалификуван персонал.



## **⚠ Ризик од поплава**

- Проверете ја брзината на протокот на вода пред да го наместите цревото за одвод во мијалник.

- Преземете ги неопходните мерки за да спречите лизгање на цревото.
- Протокот на водата може да го помести цревото доколку не е соодветно прицврстено. Погрижете се приклучокот во мијалникот да не ја блокира дупката од приклучокот.

### **⚠ Опасност од пожар**

- Не оставајте запаливи течности во близина на машината.
- Сулфурот во отстранувачите за боја може да предизвика корозија. Никогаш не користете материјали за отстранување боја во машината.
- Никогаш не користете производи кои содржат растворувачки материјал во машината.
- Ве молиме погрижете се во облеката која ја ставате во машината за перење да нема надворешни предмети како што се шајки, игли, запалки и монети.

### **Опасност од пожар и експлозија**

#### **⚠ Ризик од паѓање и повреди**

- Не качувајте се на машината.
- Погрижете се цревата и каблите да не предизвикуваат опасност од паѓање.
- Не вртете ја машината наопаку или настрана.
- Не кревајте ја машината за вратата или фиоката за детергент.

**⚠ Машината мора да ја носат најмалку 2 лица.**



## **! Безбедност за деца**

- Не оставајте ги децата блиску до машината без надзор. Децата може несакајќи да се заклучат во барабанот на машината поради што постои ризик од смрт.
- Не дозволувајте децата да ја допираат стаклената вратичка додека машината работи. Површината на стаклото се вжештува премногу и може да предизвика оштетување на кожата.
- Чувајте го материјалот од амбалажата подалеку од дофат на деца.
- Ако несакајќи некој се напие од детергентот или од средствата за чистење, или пак ако тие дојдат во контакт со кожата и очите, може да предизвикаат труење или иритација. Чувајте ги средствата за чистење надвор од дофат на деца.




### **1.2 За време на користење**

- Држете ги домашните миленичиња подалеку од машината.
- Проверете го пакувањето на машината пред монтажа, како и нејзината надворешна површина по отстранување на амбалажата. Не користете ја машината ако се чини оштетена или ако амбалажата е веќе отворено.
- Машината мора да ја монтира исклучиво овластено лице. Секоја монтажа направена од неовластено лице може да доведе до поништување на гаранцијата.
- Оваа машина можат да ја користат деца над 8-годишна возраст и лица чиишто физички,

сетилни или ментални способности не се целосно развиени или лица кои немаат доволно искуство и познавање, исклучиво ако се под надзор на друго лице, или ако се обучени како безбедно да го користат производот и ги разбираат ризиците од опасност. Децата не треба да си играат со машината. Децата коишто не се под надзор не треба да ја чистат или да работат на одржување на машината.

- Користете ја машината исклучиво за перење облека која производителот одредил дека може да се пере во машина.
- **Пред да работите со машината за перење, извадете ги 4-те шрафови за блокади при транспорт и гумените разделници одзади на машината. Доколку шрафовите не се отстранат, може да предизвикаат силни вибрации, бучава и дефект на машината и тоа може да доведе до поништување на гаранцијата.**
- Гаранцијата не покрива оштета предизвикана од надворешни фактори како што се пожар, поплава и други извори на оштета.
- Не фрлајте го овој прирачник за корисникот; чувајте го за идни потреби и проследете го на следниот сопственик.

 **ЗАБЕЛЕШКА:** Машинските спецификации може да се разликуваат во зависност од



купениот производ.

### **1.3 Амбалажата и животната средина**

#### **Отстранување на материјалите од амбалажата**

Материјалите од амбалажата ја штитат машината од штетата што може да се појави при транспорт. Материјалите од амбалажата не се штетни за животната средина, бидејќи се рециклирачки. Употребата на рециклирани материјали ја намалува потрошувачката на суровини и го намалува количеството на отпад.

### **1.4 Информации за заштеда**

Неколку важни информации за машината да биде поефикасна:

- Не надминувајте го препорачаниот максимум на облека за програмата за перење која сте ја одбрале. Ова ќе овозможи машината да работи на режим за зачувување енергија.
- Не користете ја опцијата за предперење за облека која не е многу извалкана. Ова ќе ви овозможи да заштедите на потрошувачка на количество на електрична енергија и вода.

## СЕ изјава за сообразност

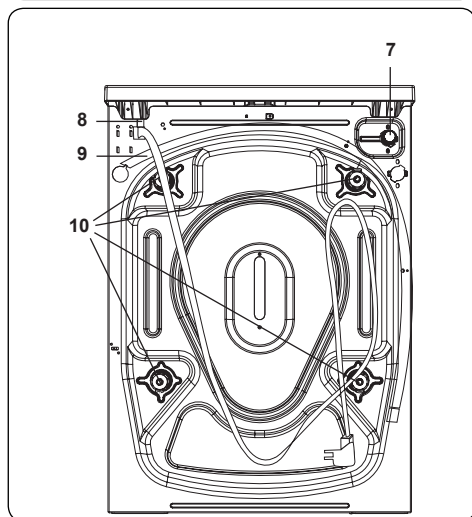
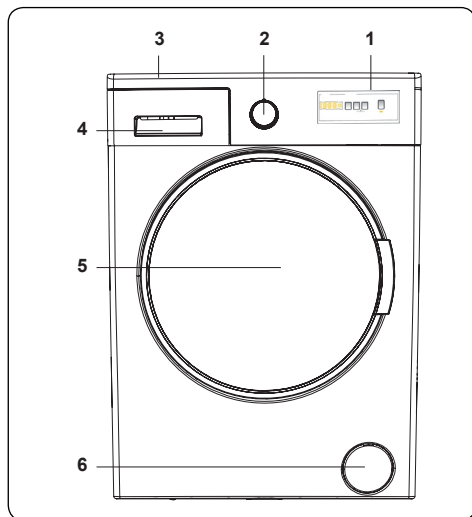
Изјавуваме дека нашите производи се согласно важечките директиви, одлуки и регулативи на Европската унија, како и барањата наложени со наведените стандарди.

### Фрлање на старата машина



Симболот на производот или на неговата амбалажа означува дека тој не може да се смета за отпад од домаќинство. Наместо тоа, треба да се предаде на пункт за соодветно собирање на електрична и електронска опрема за рециклирање. Со тоа што правилно ќе го отстраните производот, ќе помогнете да се спречат потенцијалните негативни последици за животната средина и човековото здравје, што инаку може да се предизвикаат со несоодветно справување со отпадот од овој производ. За подетални информации за рециклирање на производот, контактирајте со локалната градска канцеларија, сервисот за отстранување отпад од домаќинства или продавницата каде што сте го купиле производот.

## 2. ТЕХНИЧКИ СПЕЦИФИКАЦИИ



### 2.1 Општ изглед

1. Електронски екран
2. Бирање програма
3. Горна плоча
4. Фиока за детергент
5. Барабан
6. Капак на филтерот за пумпата
7. Вентил за довод на вода
8. Мрежен кабел
9. Црево за исфрлање вода

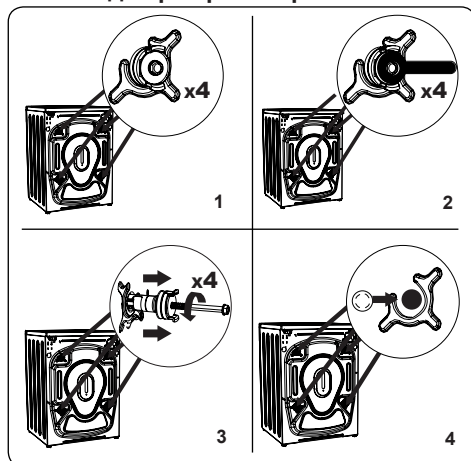
10. Шрафови за блокада при транспорт

### 2.2 Технички спецификации

Работен напон / фреквенција (V/Hz)	(220-240) V~/50Hz
Вкупно струја (A)	10
Притисок на вода (Mpa)	Максимум: 1 Mpa Минимум: 0,1 Mpa
Вкупно напојување (W)	2200
Максимална количина суви алишта (кг)	9
Број на вртежи (вртеж во минута)	1400
Број на програми	15
Димензии (mm)	
Височина	845
Ширина	597
Длабочина	582

## 3. ПОСТАВУВАЊЕ

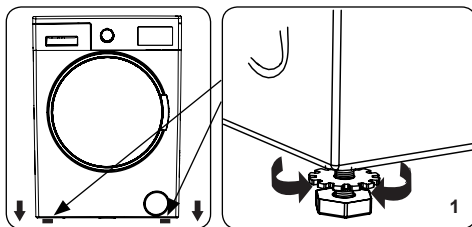
### 3.1 Отстранување на шрафовите за блокада при транспорт



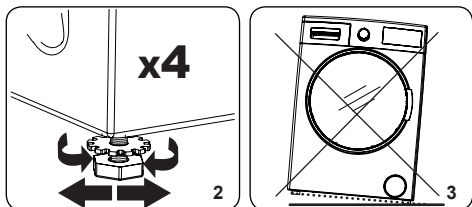
1. Пред да работите со машината за перење, извадете ги 4-те шрафови за блокада при транспорт и гумените разделници кои се наоѓаат одзади на машината. Доколку шрафовите не се отстранат, може да предизвикаат силни вибрации, бучава и дефект на машината и тоа може да доведе до поништување на гаранцијата.
2. Разлабавете ги шрафовите за блокада при транспорт со тоа што со соодветен одвртувач ќе ги вртите спротивно од стрелките на часовникот.
3. Со повлекување извадете ги шрафовите за блокада при транспорт.
4. Во отворите преку кои биле шрафовите за блокада при транспорт ставете ги пластичните чепови кои се наоѓаат во кесата со додатоци. Шрафовите за блокада при транспорт треба да се чуваат за понатамошна употреба.

**ЗАБЕЛЕШКА:** Извадете ги шрафовите за блокада при транспорт пред првото пуштање на машината. Гаранцијата не ги покрива дефектите кои се настанати поради употреба на машината без да се извадат шрафовите за блокада при транспорт.

### 3.2 Прилагодување на ногарките / Прилагодување на ногарките со прилагодлива висина

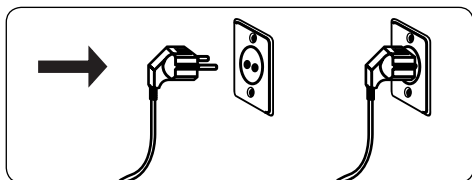


1. Не поставувајте ја машината на површина (како што е тепих) што ја спречува вентилацијата оддолу.
  - За да се погрижите машината да работи тивко и без вибрирање, поставете ја на цврста површина.
  - Нивелирајте ја машината со помош на ногарките со прилагодлива висина.
  - Разлабавете ја пластичната навртка за заклучување.



2. За да ја зголемите висината на машината вртете ги ногарките во насока на стрелките на часовникот. За да ја намалите висината на машината вртете ги ногарките спротивно од насоката на стрелките на часовникот.
  - Откако машината е нивелирана, зацврстете ги навртките за заклучување со тоа што ќе ги вртите во насока на стрелките на часовникот.
3. Никогаш не вметнувајте картон, дрво или други слични материјали под машината за да ја нивелирате.
  - Кога ја чистите површината на која се наоѓа машината, погрижете се да не го поместите нивелирањето на машината.

### 3.3 Електрично поврзување

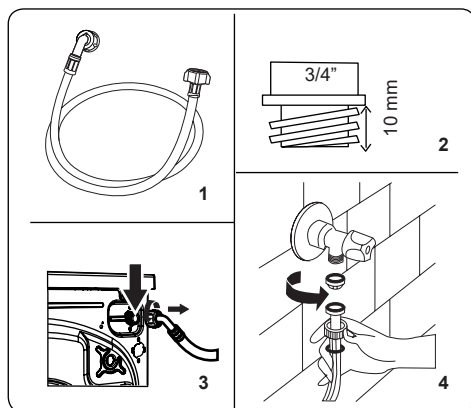


- Машината има потреба од 220-240V, 50 електрично напојување.
- Кабелот за електрична енергија од машината е опремен со приклучок со заземјување. Приклучокот секогаш треба да се вметне во штекер со заземјување од 10 ампери.
- Доколку немате соодветен штекер и осигурач, ве молиме погрижете се работата да ја изврши квалификуван електричар.
- Не преземаме одговорност за оштета која е настаната поради употреба на незаземјена опрема.



**ЗАБЕЛЕШКА:** Ако машината работи под низок напон, нејзиниот животен век ќе се намали, а нејзината работа ќе се ограничи.

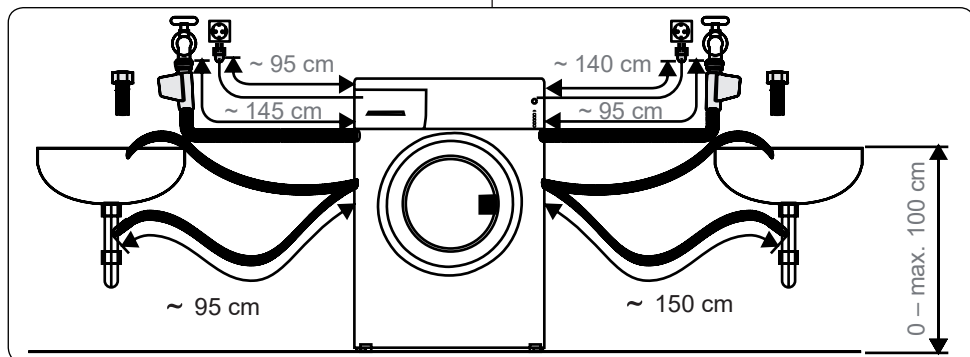
### 3.4 Поврзување на цревето за довод на вода



1. Машината може да има едно поврзување за црево за довод на (ладна) вода или две поврзувања за

црево за довод на (топла и ладна) вода, зависно од спецификациите на машината. Цревото со бела крилеста навртка треба да е поврзано со доводот за ладна вода, а цревото со црвена крилеста навртка треба да е поврзано со доводот за топла вода (доколку има).

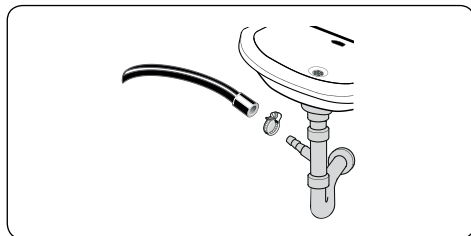
2. Поврзете го новото црево за довод на вода со  $\frac{3}{4}$  " адаптер од тип на навртување.
  - Поврзете го крајот на цревето со бела крилеста навртка со белата клапа за довод на вода која се наоѓа на задниот дел на машината, а цревето со црвена крилеста навртка поврзете го со црвената клапа за довод на вода (доколку има).
  - Рачно зацврстете ги поврзувањата. Ако се сомневате, консултирајте се со квалификуван водоинсталатер.
  - Водотек со притисок од 0. 1-1 Мра ќе овозможи машината да работи поефикасно (притисок од 0. 1 Мра значи дека над 8 литри вода ќе течат во минута кога славината ќе биде целосно отворена).
3. Откако ќе поврзете сè, внимателно пуштете ја водоводната инсталација и проверете дали има протекувања.
4. Погрижете се новите црева за довод да не се фатени во клопка, извиткани превиткани или згмечени.



- Ако машината е поврзана со довод на топла вода, тогаш температурата на доводот на топлата вода не треба да биде над 70°C.

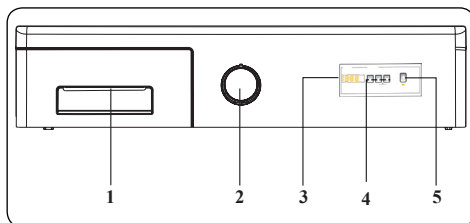
**ЗАБЕЛЕШКА:** Машината мора да е поврзана со водоводната инсталација исклучиво преку новото црево кое е обезбедено во пакувањето. Старите црева не смеат повторно да се употребуваат.

### 3.5 Поврзување на одводот за вода.



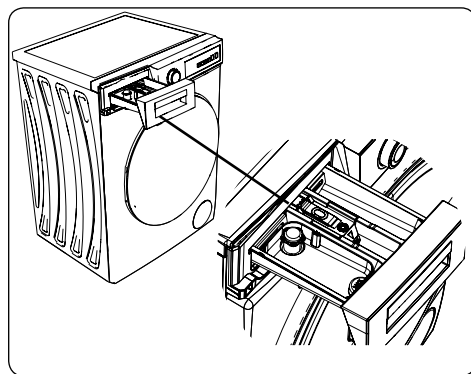
- Поврзете го цревето за одвод со цевката или со лачната поддршка на лавањето, користејќи дополнителна опрема.
- Никогаш не обидувајте се да го продолжите цревето за испуштање вода.
- Не ставајте го цревето за испуштање вода од машината во сад, кофа или када.
- Погрижете се цревето за испуштање вода да не е превиткано, искривено, згмечено или продолжено.
- Цревето за испуштање вода мора да се постави на максимална висина од 100cm од подот.

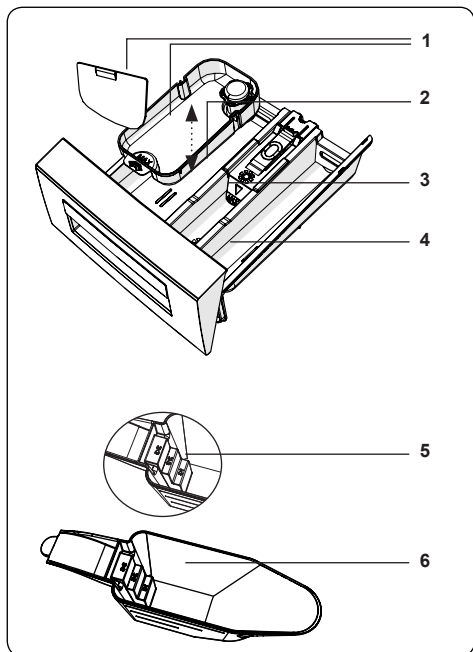
## 4. ПРЕГЛЕД НА ПАНЕЛ СО КОНТРОЛИ



1. Фиока за детергент
2. Бирање програма
3. Електронски екран

### 4.1 Фиока за детергент



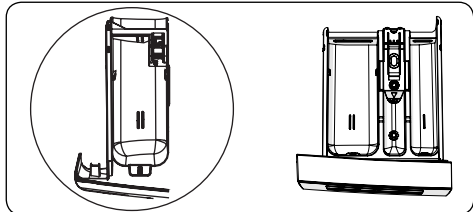


1. Додатоци за течен детергент
2. Оддел за детергент за главно перење
3. Оддел за омекнувач
4. Оддел за детергент за претперење
5. Нивоа на прашок за перење
6. Црпалка за прашок за перење (\*)

(\*) Спецификациите може да се разликуваат во зависност од купениот производ.

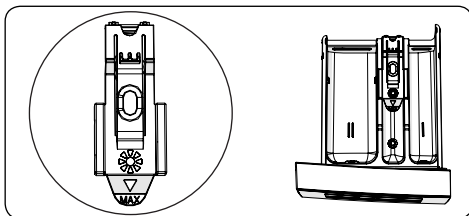
## 4.2 Делови

### Оддел за детергент за главно перење:



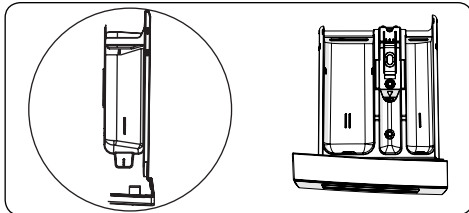
Овој оддел е наменет за детергенти во течна форма или во вид на прашок или за отстранување на бигор. Плочката за нивото на течен детергент е вметната во машината. (\*)

**Оддел за омекнувач, штирак, детергент:**



Овој оддел е за омекнувачи или штирак. Следете ги упатствата на амбалажата. Ако омекнувачите оставаат остатоци по употребата, обидете се да ги растворите со вода или користете течен омекнувач.

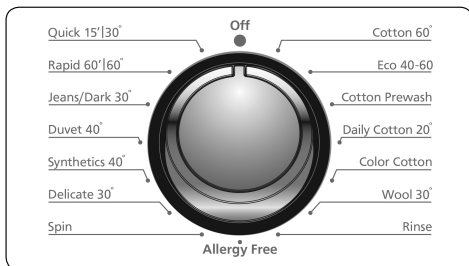
### Оддел за детергент за предперење:



Овој оддел треба да се користи исклучиво само кога е избрана опцијата за предперење. Препорачуваме опцијата за предперење да се користи само за перење на многу нечисти алишта.

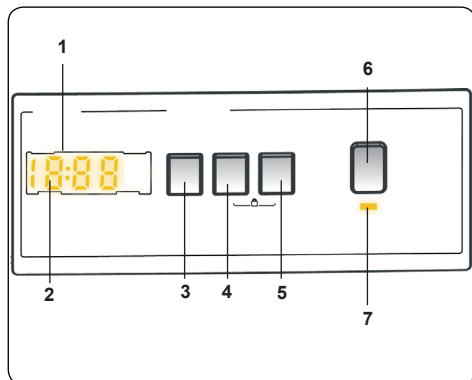
(\*) Спецификациите може да се разликуваат во зависност од купениот производ.

## 4.3 Копче за избор на програма



- За да ја изберете посакуваната програма, вртете го копчето за избор на програма на лево или на десно се додека обележувачот на копчето не покажува кон посакуваната програма.
- Погрижете се копчето за програма да е поставено точно на саканата програма.

## 4.4 Електронски екран

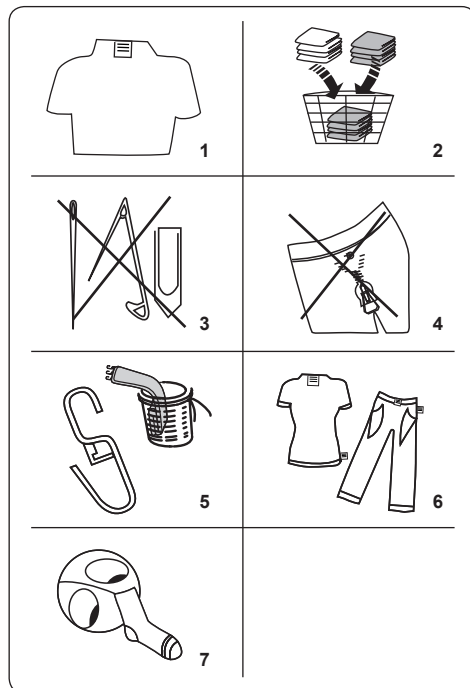


1. Електронски екран
2. Дигитален екран
3. Копче за прилагодување на температурата на водата
4. Копче за прилагодување на брзината на вртежите во минута
5. Копче за дополнителни функции 1
6. Копче Start/Pause (старт/пауза)
7. Светилка на копче Start/Pause (старт/пауза)

Панелот со екранот го прикажува бројачот за одложено перење (доколку е поставен), изборот на температура, брзината на вртежи, и какви било избрани дополнителни функции. Панелот со екранот прикажува “Крај” кога избраната програма е завршена. Панелот со екранот исто така известува ако се појави дефект при работење на машината.

## 5. КОРИСТЕЊЕ НА МАШИНАТА ЗА ПЕРЕЊЕ

### 5.1 Подготовка на алиштата



1. Следете ги упатствата дадени на етикетите за нега на алиштата.
  - Поделете ги алиштата според видот (памук, синтетика, деликатни алишта, волнени итн.), температурата на перење (со ладна вода, 30°, 40°, 60°, 90°) и според степенот на нечистотија (малку извалкани, извалкани, многу извалкани).
2. Не перете ги шарените и белите парчиња заедно.
  - Темните материјали може да содржат вишок боја и треба да се перат посебно повеќепати.
3. Погрижете се да нема метални предмети на алиштата или во џебовите; доколку има, отстранете ги.

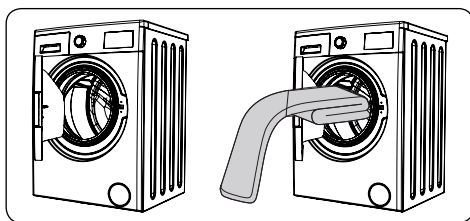
**⚠ ВНИМАНИЕ:** Сите дефекти што се јавуваат поради вакви предмети што ја оштетуваат машината не се опфатени со гаранцијата.



4. Затворете ги патентите и закопчајте ги закачките и окцата.
5. Отстранете ги металните или пластичните куки од завесите или ставајте ги во мрежа или торба за перење.
6. Вртете ги парчињата како панталони, плетена облека, маици и тренерки наопаку.
7. Перете ги чорапите, шамичињата и малите парчиња облека во мрежа за перење.

 Може да се избелува	 Не избелувај	 Нормално перење
 Максимална температура на пеглање 150 °C	 Максимална температура на пеглање 200 °C	 Не се пегла
 Може да се чисти на хемиско чистење	 Не е за хемиско чистење	 Сушење без растегнување
 Сушење без гужвање	 Се суши на жица	 Не се суши
 Дозволено е суво чистење во масло, чист алкохол и R113	 Perchloroethylene R11, R13, Petroleum	 Perchlorinethylene R11, R113, Gas oil

## 5.2 Ставање на алиштата во машината



- Отворете ја вратата од машината.
- Распоредете ги рамномерно алиштата во машината.

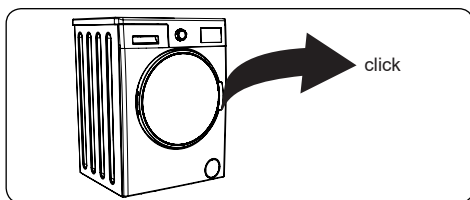
### **ЗАБЕЛЕШКА:**

Внимавајте да не го надминете максималното полнење на барабанот, бидејќи тоа доведува до лоши резултати од перењето и предизвикува туткање. За повеќе информации околу капацитетот на полнење погледнете ги табелите за програми за перење.

Следната табела ги прикажува приближните тежини на вообичаените парчиња алишта:

ТИП НА ОБЛЕКА	ТЕЖИНА (gr)
Пешкир	200
Платно	500
Бањарка	1200
Прекривка	700
Навлака за перница	200
Долна облека	100
Чаршав за маса	250

- Ставете го секое парче одделно во машината.
- Проверете да нема заглавени парчиња помеѓу гумениот обрач и вратичката.
- Нежно притиснете ја вратичката додека не “кликне“ дека е затворена.



- Погрижете се вратичката да е целосно затворена, во спротивно програмата нема да започне.

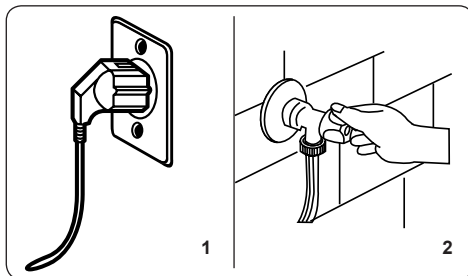
### 5.3 Ставање детергент во машината

Количината на детергент што ја ставате во машината зависи од следниве критериуми:

- Доколку алиштата не се многу извалкани, не ја користете опцијата за предперење. Ставете мала количина детергент (како што е наведено од производителот) во одделот II од фиоката за детергент.
- Доколку алиштата се премногу извалкани, изберете ја опцијата за предперење и во одделот I од фиоката за детергент ставете  $\frac{1}{4}$  од детергентот кој ќе го користите, а останатата количина ставете ја во одделот II.
- Користете детергенти кои се произведени за автоматски машини за перење. Следете ги упатствата од производителот за тоа колкава количина на детергент треба да употребите.
- Во области со тврда вода, потребно е да се стави повеќе детергент.
- Количината на потребен детергент се зголемува со зголемување на количината на алиштата.
- Ставете омекнувач во средниот оддел од фиоката за детергент. Не надминувајте го нивото MAX (МАКС.).
- Густите омекнувачи може да предизвикаат затнување на фиоката и треба да се растворат.
- Може да користите течни детергенти во сите програми без да ја користите опцијата за предперење. За да го направите ова, лизгајте ја плочката за ниво на течен детергент (\*) во жлебовите во одделот II од фиоката за детергент. Користете ги линиите на плочката како водач за да ја наполните фиоката до потребното ниво.

(\*) Спецификациите може да се разликуваат во зависност од купениот производ.

### 5.4 Работа со машината



1. Приклучете ја машината на електрично напојување.
2. Вклучете ја водоводната инсталација.
  - Отворете ја вратата од машината.
  - Распоредете ги рамномерно алиштата во машината.
  - Нежно притиснете ја вратичката додека не “кликне” дека е затворена.

### 5.5 Избирање програма

Користете ги таблиците за програми за да ја изберете најсоодветната програма за вашите алишта.

### 5.6 Систем за откривање на полупразен барабан

Вашата машина има систем за откривање на полупразен барабан.

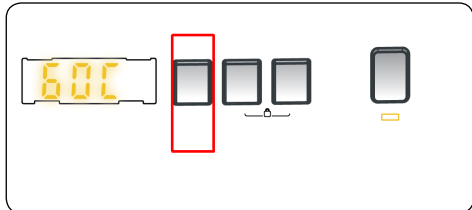
Доколку во машината ставите половина од максималната количина алишта, таа автоматски се поставува на функцијата за полупразен барабан, независно од тоа која програма сте ја избрале. Ова значи дека избраната програма ќе заврши за пократко време и ќе искористи помалку вода и електрична енергија.

(\*) Во зависност од моделот

## 5.7 Дополнителни функции

### 1. Избор на температура

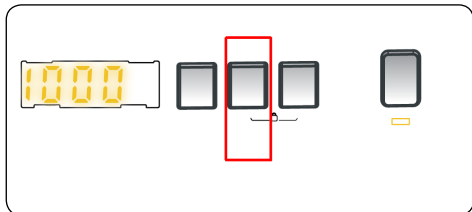
Користете го копчето за подесување на температура при перењето за да ја приспособите автоматски програмираната температура на перење.



Откако ќе одберете програма, автоматски се прилагодува максималната температура за таа програма. За да ја прилагодите температурата, притискајте го копчето за прилагодување на температура сè додека на дигиталниот екран не се појави посакуваната температура.

Можете постепено да ја намалувате температурата на водата за перење од максималната температура до перење со студена вода (- - C) притискајќи го копчето за прилагодување на температура на водата за перење.

### 2. Избор на брзина на центрифуга

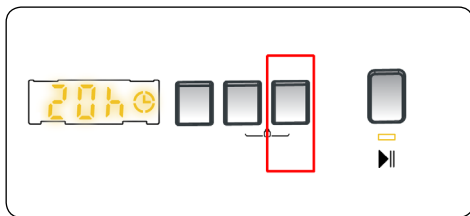


Откако ќе одберете програма, автоматски се прилагодува максималната температура за таа програма.

За да ја прилагодите брзината на центрифугата помеѓу максималната брзина и опцијата без центрифуга (- - -), притискајте го копчето за брзина на центрифуга сè додека на екранот не се прикаже посакуваната брзина.

Ако сте ја одминале брзината која сакате да ја изберете, тогаш продолжете да го притискате копчето за брзина на центрифуга сè додека на екранот повторно не се прикаже посакуваната брзина.

## 3. Тајмер за одложување



Можете да ја користите оваа додатна функција за да го одложите времето на стартување на машината од 1 до 23 часа.

За да ја користите функцијата за одложување:

- Еднаш притиснете го копчето “delay” за одложување
- “01h” ќе се прикаже. ☉ ќе засвети на електронскиот екран.
- Притискајте го копчето за одложување сè додека не стигнете до времето за коешто сакате машината да започне со перење.
- Ако сте го одминале времето за одложување кое сакате да го изберете, тогаш продолжете да го притискате копчето за одложување сè додека повторно не стигнете до посакуваното време.
- За да ја користите функцијата за одложување, притиснете го копчето Start/Pause (Старт/Пауза) за машината да почне да работи.
- Ако сакате да го откажете одложувањето:
  - Ако сте го притиснале копчето Start/Pause (Старт/Пауза) за машината да почне да работи, тогаш само треба еднаш да го притиснете копчето за одложување. ☉ ќе се појави на електронскиот екран.
  - Ако не сте го притиснале копчето Start/Pause (Старт/Пауза), тогаш повеќепати притискајте го копчето за одложување сè додека ☉ не се појави на електронскиот екран. ☉ ќе се појави на електронскиот екран.

 **ЗАБЕЛЕШКА:** Во случај

да сакате да изберете опција за додатна функција, ако LED сијаличката на таа функција не свети, тоа значи дека функцијата не е применлива во програмата која сте ја избрале.

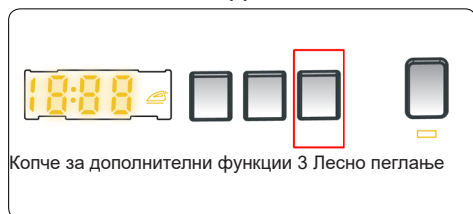
#### 4. Против алергии(\*)



Може да ја додадете оваа постапка за дополнително плакнење на алиштата ако ја употребите оваа функција. Машината ќе ги изврши сите чекори за плакнење на алиштата со топла вода. Препорачуваме оваа постапка да се користи за алишта кои се носат на чувствителна кожа, бебешки алишта и долна облека.

За да ја изберете оваа функција, притиснете го копчето против алергии "Antiallergic" кога ☼ симболот е прикажан.

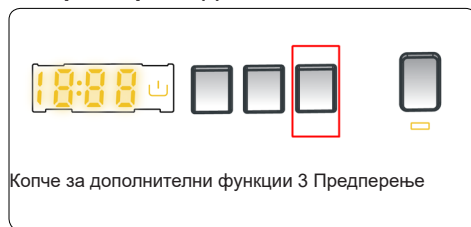
#### 5. Лесно пеглање(\*)



Користењето на оваа функција овозможува алиштата да не бидат изгужвани по завршувањето на избраната програма.

За да ја изберете оваа функција притиснете го копчето за лесно пеглање "Easy ironing" кога ☞ симболот е прикажан.

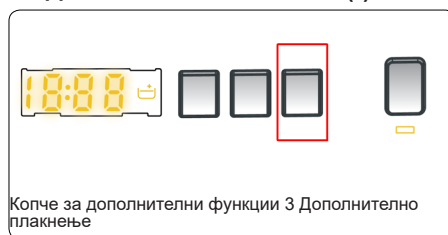
#### 6. Предперење(\*)



Оваа додатна функција ви овозможува опција за предперење на многу нечисти алишта пред да започне главната програма за перење. Кога ја користите оваа функција, треба да ставите детергент во предниот оддел од фиоката за детергент.

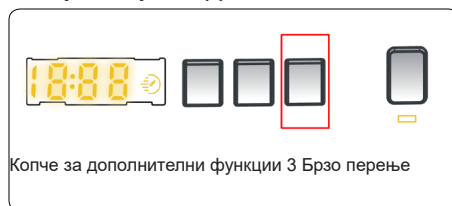
За да ја изберете оваа функција притиснете го копчето за предперење кога ☞ симболот е прикажан.

#### 7. Дополнително плакнење(\*)



Може да ја додадете оваа постапка за дополнително плакнење на алиштата после избраната програма за перење ако ја употребите оваа функција. За да ја изберете оваа функција притиснете го копчето за дополнително плакнење "Extra rinse" кога ☞ симболот е прикажан.

#### 8. Брзо перење(\*)



Со користење на оваа додатна функција можете да ги исперете алиштата за пократко време, со користење на помалку електрична енергија и вода.

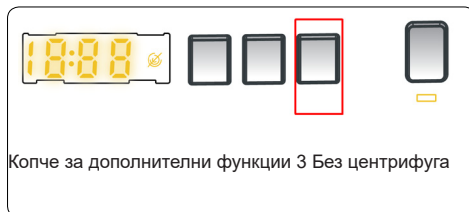
Препорачуваме да ја користите оваа опција само ако перете помалку од половина од максималното суво полнење за избраната програма.

За да ја изберете оваа функција, притиснете го копчето за брзо перење “Rapid wash“ кога ☺ симболот е прикажан.

**ОЗАБЕЛЕШКА:** Доколку во машината ставите половина од максималната количина алишта, таа автоматски се поставува на функцијата за полупразен барабан, независно од тоа која програма сте ја избрале. Ова значи дека избраната програма ќе заврши за пократко време и ќе искористи помалку вода и електрична енергија. Кога машината ќе открие полупразен барабан, автоматски ќе се вклучи симболот ☺.

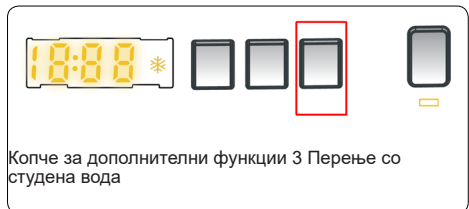
(\*) Во зависност од моделот

## 9. Без центрифуга(\*)



Употребете ја оваа дополнителна функција ако не сакате алиштата да се центрифугираат. Оваа програма ќе биде активна ако го притиснете копчето за откажување на центрифугаа на панелот со екран и ќе се вклучи лед-сијаличката ☹ од овој симбол.

## 10. Перење со студена вода(\*)



Можете да ја користите оваа дополнителна функција кога сакате сакате да ги перете алиштата со ладна вода (вода од чешма). Оваа програма

ќе биде активна ако го притиснете копчето за дополнителната функција - перење со студена вода на панелот со екран и ќе се вклучи лед-сијаличката ☹ од овој симбол.

Машинските спецификации може да се разликуваат во зависност од купениот производ.

## Копче за Старт/Пауза “Start/Pause“

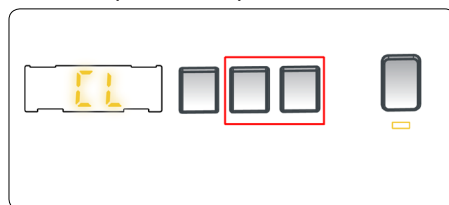


Со притискање на копчето за вклучување/паузирање може да ја вклучите избраната програма или да запрете програма во тек. Ако ја префрлите машината во режим на мирување, лед-индикаторот за старт/пауза ќе трепка на електронскиот екран.

## 5.8 Блокатор за деца

Функцијата Блокатор за деца овозможува да ги заклучите копчињата за да не може несакати да се промени циклусот на перење.

За да го активирате блокаторот за деца, истовремено притиснете и држете ги најмалку 3 секунди копчињата 2 и 3. “CL“ ќе се појави на електронскиот екран 2 секунди кога ќе се активира блокаторот за деца.



Ако е притиснато некое копче или е променета избраната програма додека е активиран блокаторот за деца, тогаш симболот “CL“ ќе се појави на електронскиот екран 2 секунди.

Ако е активна функцијата блокатор за деца и работи некоја програма, копчето за програми се префрла во позиција CANCEL (откажи) и се избира

друга програма. Претходно избраната програма ќе продолжи од каде што застанала.

За да го активирате блокаторот за деца, истовремено притиснете и држете ги најмалку 3 секунди копчињата 2 и 3. “CL“ ќе се појави на електронскиот екран 2 секунди кога ќе се активира блокаторот за деца.

### 5.9 Откажување на програма

**За да откажете програма во кое било време:**

1. Свртете го копчето за програми во позиција „STOP“.
2. Машината ќе запре со перењето и програмата ќе биде откажана.
3. Завртете го копчето за програми на некоја друга програма за да ја исцедите водата од машината.
4. Водата ќе се испушти од машината, а програмата ќе се откаже
5. Сега може да изберете и пуштите нова програма.

### 5.10 Крај на програма



Машината сама ќе запре откако ќе заврши програмата што сте ја избрале.

- “End” ќе светне на електронскиот екран.
- Може да ја отворите вратата од машината и да ја извадите облеката.
- Оставете ја вратата од машината отворена за да се исуши внатрешниот дел од машината откако ќе ја извадите облеката.
- Свртете го копчето за програми во позиција „STOP“.
- Исклучете ја машината од струја.
- Затворете ја славината за вода.

## 6. ТАБЕЛА СО ПРОГРАМИ

Програма	Температура на перење (°C)	Максимална количина суви алишта (кг)	Оддел за детергент	Времетраење на програмата (мин)	Вид на облека / опис
ПАМУК 60°	*60-90-80-70-40	9,0	2	230	Многу валкана облека од памук и лен. (Долна облека, платно, чаршави за маса, крпи (максимум 4,5 kg), постелнина и сл.)
ЕСО 40-60	*40 - 60	9,0	2	228	Валкана облека од памук и лен. (Долна облека, платно, чаршави за маса, крпи (максимум 4,5 kg), постелнина и сл.)
ПРЕДПЕРЕЊЕ ПАМУК	*60 - 50 - 40 - 30 - " - -C"	9,0	1&2	164	Валкана облека од памук и лен. (Долна облека, платно, чаршави за маса, крпи (максимум 4,5 kg), постелнина и сл.)
ПАМУК 20°C	*20- " - -C"	4,5	2	96	Малку извалкана облека од памук и лен. (Долна облека, постелнина, чаршави, крпи (макс. 2,5 kg) прекривки и сл.)
БОЈА ПАМУК	*40 - 30 - " - -C"	3,5	2	222	Малку извалкана облека од памук и лен. (Долна облека, постелнина, чаршави, крпи (макс. 2,5 kg) прекривки и сл.)
ВОЛНА 30°	*30 - " - -C"	2,5	2	43	Волнена облека со етика за машинско перење.
ПЛАКНЕЊЕ	*" - -C"	9,0	-	30	Овозможува дополнително плакнење после циклусот на перење на каков било вид алишта.
БЕЗ АЛЕРГИИ	*60 - 50 - 40 - 30 - " - -C"	4,0	2	197	Бебешка облека
ЦЕНТРИФУГА	*" - -C"	9,0	-	17	Оваа програма може да ја користите за каков било вид алишта, доколку сакате дополнително центрифуга после циклусот на перење.
НЕЖЕН 30°	*30 - " - -C"	2,5	2	90	Алишта за коишто се препорачува перење на рака или осетливи алишта.
СИНТЕТИКА 40°	*40 - 30 - " - -C"	3,5	2	110	Многу валкани алишта или синтетички алишта. (најлонски чорапи, кошули, блузи, панталони што содржат синтетика и сл.)
ЈОРГАН 40°	*40 - 30 - " - -C"	-	2	103	За перење на јоргани со ознака дека можат да се перат во машина (максимум 2,5 kg)
ФАРМЕРКИ/ ТЕМНИ 30°	*30 - " - -C"	3,5	2	96	Црни и темни памучни работи, мешани ткаенини или џинс. Да се перат од опаку., Џинсот често содржи дополнителна боја и е да фарба првите неколку перења. Перете ги светлите и обоните работи одделно.
БРЖЕ 60'160°	*60 - 50 - 40 - 30 - " - -C"	4,0	2	60	Валканите, памучните, обоените и ленените ткаенини да се перат на 60 °C на 60 минути.
БРЗО 15'130°	*30 - " - -C"	2,0	2	15	Можете да перете малку извалкана, памучна, обоена и платнена ткаенина кратко, за 15 минути.



**ЗАБЕЛЕШКА: ВРЕМЕТРАЕЊЕТО НА ПРОГРАМАТА МОЖЕ ДА СЕ МЕНУВА ВО ЗАВИСНОСТ ОД КОЛИЧЕСТВОТО НА ОБЛЕКА, ВОДАТА ОД СЛАВИНАТА, ТЕМПЕРАТУРАТА ВО СРЕДИНАТА И ОД ИЗБОРОТ НА ДОПОЛНИТЕЛНИТЕ ФУНКЦИИ.**

(\*) Температурата на водата за перење на програмата е фабрички стандардна.

(\*\*) Ако вашата машина има дополнителна функција за брзо перење, можете да ја вклучите опцијата за брзо перење на дисплејот и да ја наполните машината со 2 kg или помалку облека за да ги исперете за 30 минути.

(\*\*\*) Поради краткото време за перење на оваа програма, препорачуваме користење помалку детергент. Програмата може да трае подолго од 15 минути ако машината детектира нееднакво полнење. Може да ја отворите вратата на машината по 2 минути откако ќе заврши перењето. (Периодот од 2 минути не е вклучен во траењето на програмата.)

Според регулативата 1015/2010 и 1061/2010, програмата 1 и програмата 2 се „Стандардна програма за памук 60°C“ и „Стандардна програма за памук 40°C“.

Програмата Еко 40-60 може нормално да чисти извалкани памучни алишта, кои може да се перат на 40°C или 60°C, заедно во истиот циклус и да се исушат на таков начин што ќе може веднаш да се стават во плакар, и оваа програма се користи за проценка на усогласеност со законодавството на ЕУ екодизајн.



- Најефикасни програми во однос на потрошувачката на енергија се генерално оние што работат на пониски температури и подолго времетраење.
- Полнењето на машината за перење до капацитетот назначен од производителот за соодветните програми придонесува кон заштеда на енергија и вода.
- Времетраењето на програмата, потрошувачката на енергија и вредностите на потрошувачката на вода може да се разликуваат во зависност од тежината и видот на полнењето, избраните дополнителни функции, водата од чешма и температурата на околината.
- Се препорачува да се користи течен детергент за програмите за перење на ниска температура. Количината на детергент што треба да се користи може да се разликува во зависност од количината на алишта и нивото на нечистотија на алиштата. Ве молиме следете ги упатствата на производителите на детергенти за количината на детергентот што треба да се користи.
- Бучавата и преостанатата влага се под влијание на брзината на вртење. Колку е поголема брзината на вртење во фазата на центрифугирање, толку е поголема бучавата, а помало е количеството на преостаната влага.
- Можете да пристапите до базата на податоци на производи каде што се зачувани информациите за моделот со читање на QR-кодот на етикетата за енергија.

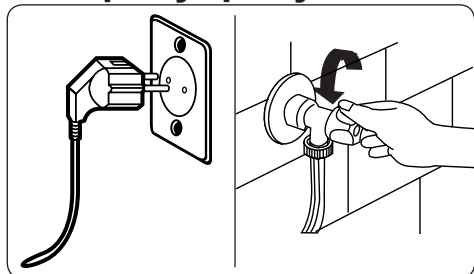
Име на програма	Измерен капацитет kg	Потрошувачка на енергија (kWh/циклус)			Времетраење на програмата Часови: Минути			Потрошувачка на вода Литри / Циклус			Макс. Температура °C			Преостаната содржина на влага % 1400 Rpm		
		Измерен капацитет	1/2 полнење	1/4 полнење	Измерен капацитет	1/2 полнење	1/4 полнење	Измерен капацитет	1/2 полнење	1/4 полнење	Измерен капацитет	1/2 полнење	1/4 полнење	Измерен капацитет	1/2 полнење	1/4 полнење
Памук 90°	9	2,4			03:13			84			81			53%		
Памук 60°	9	1,34			03:50			57			57			53%		
Еко 40-60	9	1,30	0,71	0,32	03:48	02:54	02:54	57	48	36	50	36	23	53%	53%	53%
Синтетика 40°	3,5	0,57			01:50			50			42			53%		
Брже 60/60°	4	1,11			01:00			35			58			53%		
Дневен памук 20°	4,5	0,21			01:36			52			20			53%		

## 6.1 Важни информации

- Користете детергенти, омекнувачи и други производи погодни само за автоматски машини за перење. Има премногу пена и се активира системот за автоматска апсорпција на пена поради употреба на премногу детергент.
  - Препорачуваме периодично да ја чистите машината на секои 2 месеци. За периодичното чистење ве молиме користете ја програмата Чистење на барабанот (Drum Clean). Ако вашата машина нема програма за Чистење на барабанот, користете ја програмата Памук-90 (Cottons-90). Ако е потребно, користете средства за отстранување каменец произведени специјално само за машини за перење.
  - Не отворајте ја насила вратата од машината додека машината работи. Може да ја отворите вратата на машината по 2 минути откако ќе заврши перењето. \*
  - Не отворајте ја насила вратата од машината додека машината работи. Вратата ќе се отвори веднаш по завршувањето на циклусот на перење. \*
  - Постапките за инсталација и поправка секогаш треба да ги спроведува Овластениот сервисер со цел да се избегнат можните ризици. Производителот нема одговорност за штетите што можат да произлезат од постапките спроведени од неовластено лице.
- (\*). Спецификациите може да се разликуваат во зависност од купениот производ.

## 7. ЧИСТЕЊЕ И ОДРЖУВАЊЕ

### 7.1 Предупредување



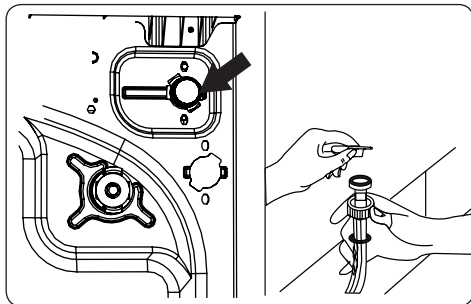
Исклучете ја машината од струја и отстранете го приклучокот од штекер пред да ја одржувате и чистите машината.

Исклучете ја славината за вода пред да започнете со нејзиното одржување и чистење.

**⚠ ВНИМАНИЕ:** Не користете растворувачи, абразивни средства за чистење, средства за чистење стакло или средства за чистење наменети за сите цели за да ја чистите вашата машина за перење. Тие можат да ги оштетат пластичните површини и другите компоненти со хемикалиите што ги содржат.

### 7.2 Филтри за довод на вода

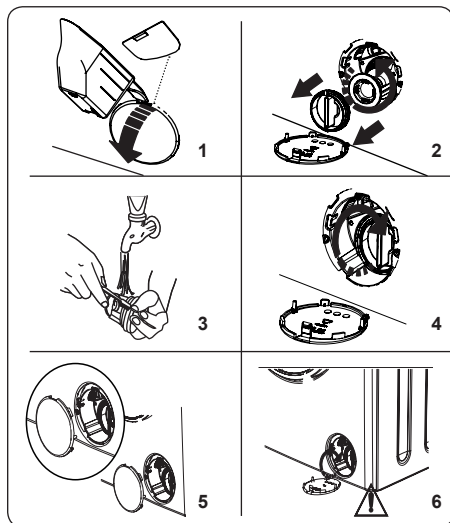
Филтрите за довод на вода спречуваат валкани и надворешни предмети да влезат во машината. Препорачуваме овие филтри да се чистат кога машината не може да прима доволно вода, иако е вклучен доводот и славината е отворена. Се препорачува да ги чистите филтрите за довод на вода чистите еднаш на 2 месеца.



- Одртете го цревето за довод на вода од машината за перење.
- Отстранете го филтерот за довод на вода од вентилот за довод на вода, користете клешти за да ја повлечете пластичната прачка во филтерот.
- Вториот филтер за довод на вода е сместен на самиот крај на цревето за довод на вода. Отстранете го вториот филтер за довод на вода од вентилот за довод на вода, користете клешти за да ја повлечете пластичната прачка во филтерот.
- Исчистете го филтерот темелно со мека четка и измијте со насапунета вода и исплакнете добро. Внесете го повторно филтерот со нежно притискање за да го вратите на место.

**⚠ ВНИМАНИЕ:** Филтрите на вентилот за довод на вода можат да се затнат поради квалитетот на водата или недостиг на потребно одржување и можат да откажат. Ова може да предизвика течење на вода. Сите такви откажувања не влегуваат во гаранцијата.

### 7.3 Филтер за пумпа



Системот на филтер за пумпа во вашата машина за перење го продолжува векот на пумпата спречувајќи да влегуваат влакненца во машината.

Препорачуваме да го чистите филтерот за пумпата секои 2 месец.

Филтерот за пумпата е лоциран под капакот во нискиот долен десен агол.

За да го исчистите филтерот на пумпата:

1. Може ја користите лопатката за детергент во прашок (\*) набавена со машината или мерилката за нивото на течниот детергент за да го отворите капакот на пумпата.
  2. Наместете го крајот на лопатката за прашок или мерилката за ниво на течен детергент во отворот на капакот и нежно притиснете наназад. Капакот ќе се отвори.
- Пред отворање на капакот на филтерот, наместете сад под капакот на филтерот за да ја собере сета останата вода во машината.
  - Олабавете го филтерот со вртење спротивно од стрелките на часовникот и отстранете го со влечење. Почекајте да се исцеди водата.

**ОЗАБЕЛЕШКА:** Можеби ќе треба неколкупати да го испразните садот за вода, во зависност од

количеството на вода во машината.

3. Извадете ги сите надворешни предмети од филтерот со мека четка.
4. По чистењето, вратете го филтерот со вметнување и завртување во насока на стрелките на часовникот.
5. Додека го затворате капакот од пумпата, погрижете се деловите од неговата внатрешна страна да се совпаднаат со отворите на плочата од предната страна.
6. Затворете го капакот на филтерот.

### **⚠ Предупредување**

Водата во пумпата може да биде жешка, почекајте да се олади пред да чистите или одржувате.

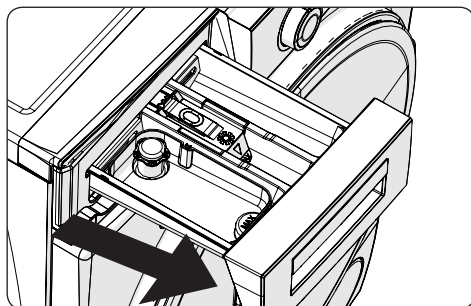
(\*) Спецификациите може да се разликуваат во зависност од купениот производ.

### 7.4 Фиока за детергент

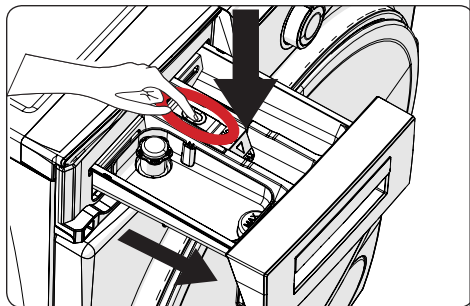
Користењето детергент може да предизвика остаток насобран во фиоката за детергент. Препорачуваме да ја отстраните фиоката секои 2 месеци за да го исчистите собраниот остаток.

За да ја извадите фиоката за детергент:

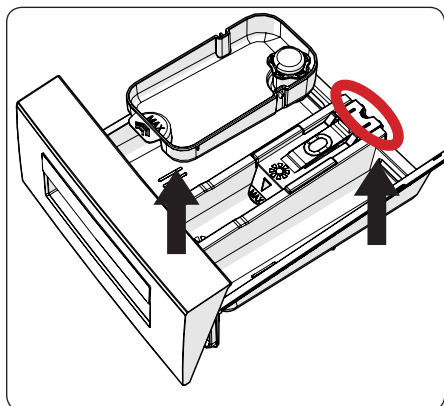
- Повлечете ја фиоката додека целосно не се извлече.



- Притиснете го пределот прикажан долу во фиоката за детергент што ја притискавте назад, и продолжете со влечење и извадете ја фиоката за детергент од нејзиното лежиште.



- Отстранете ја фиоката за детергент и размонтирајте го блокаторот на одмивање. Измијте добро за целосно да го отстраните секој остаток од омекнувачот. Склопете го блокаторот за одмивање по чистењето и проверете дали е правилно наместен.



- Исплакнете со четка и многу вода.
- Соберете ги остатоците во фиоката за детергент така што нема да ги фрлите во машината.
- Исушете ја фиоката за детергент со пешкир или друга крпа и вратете ја назад.

**! Не мијте ја фиоката за детергент во машина за садови.**

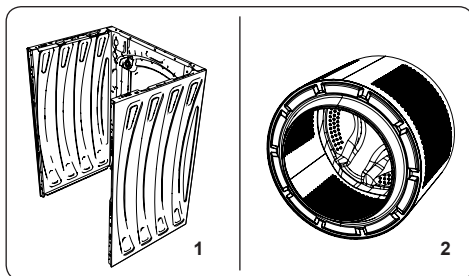
#### **Додатокот за течен детергент (\*)**

За чистење и одржување на додатокот за течен детергент, отстранете го додатокот од неговото место како то е прикажано на сликата долу и темелно измијте ги останатите остатоци од детергент. Заменете го додатокот. Бидете сигурни дека нема остатоци од материјали внатре во сифонот.

(\*) Спецификациите може да се

разликуваат во зависност од купениот производ.

## **8. Куќиште / Барабан**



### **1. Куќиште**

Користете благо, неабразивно средство за чистење, или сапун и вода, за да ја исчистите надворешната кутија. Избришете со сува мека крпа.

### **2. Барабан**

Не оставајте метални предмети како игли, спојници, монети итн. во машината. Овие предмети може да предизвикаат 'рѓа во барабанот. За да ги исчистите дамките од 'рѓа, ставете средство за чистење без хлор и следете ги упатствата од производителот на средството за чистење. Никогаш не користете жица за садови или слични тврди предмети за чистење на дамките од 'рѓа.

## 9. РЕШАВАЊЕ ПРОБЛЕМИ

Сите поправки што се потребни на машината треба да ги врши компанија за овластен сервис. Ако на машината и'е потребна поправка или не можете да го решите проблемот со информациите коишто се дадени подолу, би требало да:

- Исклучете ја машината од напојување.
- Затворете го доводот на вода.

ДЕФЕКТ	МОЖНА ПРИЧИНА	РЕШАВАЊЕ ПРОБЛЕМИ
Машината не почнува да работи.	Не е вклучена.	Вклучете ја машината.
	Осигурачите се прегорени.	Заменете ги осигурачите.
	Нема струја.	Проверете го напојувањето.
	Не е притиснато копчето Start/Pause (старт/пауза).	Притиснете го копчето за старт/пауза.
	Позиција „стоп“ на бирањето на програма.	Свртете го копчето за програми на посакуваната позиција.
Машината не прима вода	Вратата од машината не е целосно затворена.	Затворете ја вратата од машината.
	Славината е затворена.	Пуштете ја славината.
	Можно е цревото за довод да се превиткало.	Проверете го доводот на вода и одвртете.
	Цревото за довод е затнато.	Исчистете ги филтрите на цревото за довод на вода. (*)
	Затнат филтер за довод.	Исчистете ги филтрите за довод. (*)
Машината не исфрла вода.	Вратата од машината не е целосно затворена.	Затворете ја вратата од машината.
	Цревото за испуштање на водата е затнато или превиткано.	Проверете го цревото за одвод, потоа исчистете го или одвиткајте.
	Затнат филтер за пумпа.	Исчистете го филтерот за пумпата. (*)
Машината вибрира.	Премногу облека има во барабанот.	Распоредете ги рамномерно алиштата во машината.
	Ногарките не се подесени.	Подесете ги ногарките. (**)
	Не се отстранети шрафовите за блокада при транспорт.	Извадете ги шрафовите за блокада при транспорт. (**)
	Барабанот има малку облека.	Тоа нема да ја спречи работата на машината.
	Машината е преполнета со облека или облеката не е распоредена подеднакво.	Не преполнувајте го барабанот. Распоредете ги рамномерно алиштата во барабанот.
Во фиоката за детергент се создава премногу пена.	Машината е поставена на тврда површина.	Не ја поставувајте машината за перење на цврста основа.
	Се користи преголемо количество детергент.	Притиснете го копчето за старт/пауза. За да ја запрете пената, растворете една лажица омекнувач во 1/2 литри вода и истурете во фиоката за детергент. Притиснете го копчето за старт/пауза по 5-10 минути.
Незадоволувачки резултат од перењето.	Се користи погрешен детергент.	Користете само детергенти кои се произведени за автоматски машини за перење.
	Облеката е многу валкана за избраната програма.	Користете ги информациите на таблите за програми за да ја изберете најсоодветната програма.
	Недоволно количество на детергент.	Користете количество детергент како што е посочено на пакувањето.
	Има премногу облека во вашата машина.	Проверете дали е надминат максималниот капацитет за избраната програма.

ДЕФЕКТ	МОЖНА ПРИЧИНА	РЕШАВАЊЕ ПРОБЛЕМИ
Незадоволувачки резултат од перењето.	Тврда вода	Зголемете ја количината на детергент според упатствата од производителот.
	Премногу облека има во барабанот.	Проверете дали облеката е распоредена.
Штом ќе се наполни машината со вода, водата се исфрла.	Крајот од цревето за исфрлање вода е прениско за машината.	Проверете дали цревето за исфрлање е на соодветна висина. (**)
Не се појавува вода во барабанот при перењето.	Нема дефект. Водата е во деп од барабанот што не се гледа.	.....
Облеката има остатоци од детергент.	Нерастворливите честици на некои детергенти може да се појават на облеката како бели дамки.	Направете дополнително плакнење или исчистете ја облеката со четка откако ќе се испуши.
Сиви дамки можат да се појават на облеката.	Има нетретирано масло, крема или маст на облеката.	Користете количество детергент како што е посочено на пакувањето.
Вртењето не функционира или се јавува подоцна од очекуваното.	Нема дефект. Се активирал системот за контрола на неврамнотежено наполнет барабан.	Системот за контрола на неврамнотежено наполнет барабан ќе се обиде да ја распореди облеката. Операцијата центрифугирање ќе започне откако ќе се распореди облеката. Наполнете го барабанот подеднакво при следното перење.

(\*) Погледнете го поглавјето кое се однесува на одржување и чистење на машината.

(\*\*) Погледнете го поглавјето за инсталација на машината.

## 10. АВТОМАТСКИ ПРЕДУПРЕДУВАЊА ЗА ДЕФЕКТ И ШТО ДА СЕ НАПРАВИ

Вашиот машина е опремена со вграден систем за откривање грешки, означен со комбинација од трепкачки светла за работа. Највообичаените кодови за грешки се прикажани подолу.

КОД НА ГРЕШКА	МОЖЕН ДЕФЕКТ	ШТО ДА СЕ ПРЕЗЕМЕ
E01	Вратата од машината не е затворена соодветно.	Затворете ја вратата додека не слушнете звук. Ако машината и понатаму покажува дефект, исклучете ја од копчето и од штекерот и веднаш контактирајте со најблискиот овластен сервис.
E02	Притисокот или нивото на вода во машината можеби се ниски.	Проверете дали славината целосно пуштена. Можно е водоводната мрежа да се исклучена. Ако проблемот се уште продолжува, машината автоматски ќе запре по некое време. Исклучете ја машината од штекерот, исклучете ја славината и контактирајте со најблискиот овластен сервис.
E03	Пумпата е со дефект или филтерот за пумпа е затнат, или електричното поврзување на пумпата е со дефект.	Исчистете го филтерот за пумпа. Ако продолжи проблемот, контактирајте со најблискиот овластен сервисер. (*)
E04	Машината има прекумерно количество вода.	Машината сама ќе ја исфрли водата. Штом водата е исфрлена, исклучете ја машината од копче и од струја. Исклучете ја славината и контактирајте со најблискиот овластен сервис.

(\*) Погледнете го поглавјето кое се однесува на одржување и чистење на машината.





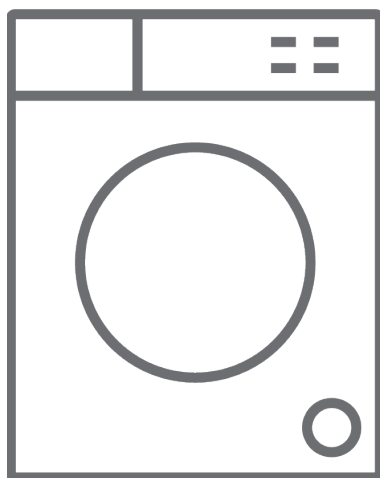


<https://www.voxelectronics.com>  
[callcenter@voxelectronics.com](mailto:callcenter@voxelectronics.com)





**SL** Pralni stroj / Uporabniški priročnik







**WM1495-YT1QD**

## Hvala, ker ste izbrali ta izdelek.

Ta uporabniški priročnik vsebuje pomembne varnostne informacije in navodila glede delovanja in vzdrževanja vaše naprave.

Pred uporabo naprave si vzemite čas in preberite uporabniški priročnik ter ga shranite za kasnejšo uporabo.

Ikona	Tip	Pomen
	<b>OPOZORILO</b>	Nevarnost resne poškodbe ali smrti
	<b>NEVARNOST ELEKTRIČNEGA UDARA</b>	Nevarna napetost
	<b>POŽAR</b>	Opozorilo; Nevarnost požara / vnetljivi materiali
	<b>POZOR</b>	Tveganje poškodbe ali premoženjske škode
	<b>POMEMBNO / OPOMBA</b>	Pravilno delovanje sistema

# VSEBINA

<b>1.VARNOSTNA NAVODILA.....</b>	<b>1</b>
1.1 Splošna varnostna opozorila .....	2
1.2 Med uporabo .....	6
1.3 Embalaža in okolje .....	7
1.4 Informacije o prihrankih .....	7
<b>2.TEHNIČNE SPECIFIKACIJE .....</b>	<b>9</b>
2.1 Splošni videz .....	9
2.2 Tehnične specifikacije .....	9
<b>3.NAMESTITEV .....</b>	<b>10</b>
3.1 Odstranjevanje prehodnih vijakov .....	10
3.2 Prilagoditev stopal / Prilagajanje nastavljivih nog .....	10
3.3 Električna povezava .....	10
3.4 Priključek za dovajanje vode .....	11
3.5 Priključek za odvajanje vode .....	12
<b>4.PREGLED NADZORNEGA PANELA .....</b>	<b>12</b>
4.1 Predal za pralno sredstvo .....	12
4.2 Odseki .....	13
4.3 IZBIRA PROGRAMA .....	13
4.4 Elektronski prikaz .....	13
<b>5.UPORABA VAŠEGA STROJA .....</b>	<b>14</b>
5.1 Priprava perila .....	14
5.2 Polaganje perila v stroj .....	14
5.3 Dodajanje detergenta v stroj .....	15
5.4 Upravljanje stroja .....	15
5.5 Izbira programa .....	15
5.6 Sistem za samodejno zaznavanje Polovične Obremenitve .....	15
5.7 Dodatne funkcije .....	16
5.8 Otroška ključavnica .....	17
5.9 Preklic programa .....	17
5.10 Konec programa .....	17
<b>6.PREGLEDNICA PROGRAMOV .....</b>	<b>18</b>
6.1 Pomembne informacije .....	21
<b>7.ČIŠČENJE IN VZDRŽEVANJE .....</b>	<b>22</b>
7.1 Opozorilo .....	22
7.2 Filtri za dovod vode .....	22
7.3 Filter črpalke .....	23
7.4 Predal za pralno sredstvo .....	23
<b>8.Telo / Boben .....</b>	<b>24</b>
<b>9.ODPRAVLJANJE TEŽAV .....</b>	<b>25</b>
<b>10.SAMODEJNA OPOZORILA O NAPAKAH IN KAJ NAREEDITI .....</b>	<b>26</b>

# 1. VARNOSTNA NAVODILA

Delovna napetost / frekvenca:	(220-240) V~/50Hz
Skupni tok (A)	10
Vodni tlak (Mpa)	Maximum 1 Mpa / Minimum 0. 1Mpa
Skupna moč (W):	2200
Največja količina perila za pranje (suho perilo) (kg)	9

- Stroja ne postavite na preprogo ali takšna tla, ki bodo onemogočila prezračevanje od spodaj.
- Naprave niso namenjene uporabi oseb (vključno z otroki) z zmanjšanimi fizičnimi, senzoričnimi ali duševnimi sposobnostmi ali pomanjkanjem izkušenj in znanja, razen če jim nadzor nad napravo ali navodilom o uporabi naprave ne da oseba, odgovorna za njihovo varnost.
- Otroke, mlajše od 3 let, morajo biti stran, razen če so stalno pod nadzorom.
- Za pomoč pri okvarah napajalnega kabla pokličite najbližji pooblaščen servis.
- Med povezovanjem cevi za dovod vode uporabljajte le nove cevi za dovod vode, ki so dobavljene skupaj s strojem. Nikoli ne uporabljajte starih, uporabljenih ali poškodovanih cevi za dovod vode.
- Otroci se ne smejo igrati z napravo. Čiščenja in vzdrževanja ne smejo opravljati otroci brez nadzora.

**OPOMBA:** Za kopijo tega priročnika se obrnite na naslednji naslov: "washingmachine@standardtest.info". V svojem elektronskem sporočilu navedite ime modela in serijsko številko (20-mestna številka), ki jo najdete na vratih naprave.

**Pazljivo preberite ta uporabniški priročnik.**

**Vaš stroj je samo za domačo uporabo. Če ga uporabite v komercialne namene, bo vaša garancija preklicana.**



**Ta priročnik je pripravljen za več modelov, zato vaša naprava morda nima nekaterih funkcij, opisanih znotraj. Zaradi tega je med branjem operacijskega priročnika pomembno biti pozoren na katere koli figure.**

## **1.1 Splošna varnostna opozorila**

- Potrebna temperatura okolice za idealno delovanje vašega stroja je 15-25°.
- V predelih, kjer je temperatura pod 0 °C, elektronska kartica morda ne bo delovala varno.
- Prepričajte se, da oblačila, naložena v vašem pralnem stroju, ne vsebujejo tujkov, kot so žebliji, igle, vžigalniki in kovanci.
- **Priporočljivo je, da za prvo pranje izberete program 90 ° bombaž brez perila in pol napolnjenega predala II za detergent s primernim detergentom.**
- Ostanke lahko nastanejo na detergentu in mehčalcih, ki so dalj časa izpostavljeni zraku. V predal vstavite samo mehčalec ali detergent na začetku vsakega pranja.

- Izključite svoj pralni stroj in izklopite dovod vode, če pralni stroj dlje časa ne uporabljate. Priporočamo tudi, da pustite vrata odprta, da preprečite kopičenje vlage v pralnem stroju.
- V pralnem stroju lahko ostane nekaj vode kot rezultat preverjanja kakovosti med proizvodnjo. To ne bo vplivalo na delovanje vašega pralnega stroja.
- Embalaža stroja je lahko nevarna za otroke. Ne dovolite otrokom, da se igrajo s embalažo ali majhnimi deli iz pralnega stroja.
- Hranite embalažni material na mestu, kjer otroci nimajo dostopa ali pa ga ustrezno zavržite.
- Programe predpranja uporabljajte le za zelo umazana oblačila.

⚠ Med delovanjem stroja nikoli ne odpirajte predala za detergent.

- V primeru okvare izklopite stroj iz električnega omrežja in izklopite dovod vode. Ne poskušajte opraviti nobenih popravil. Obrnite se na najbližjega pooblaščenega serviserja.
- Ne prekoračite največje dovoljene obremenitve za izbrani program pranja.

⚠ Med delovanjem stroja ne poskušajte vrat odpreti na silo.

- Pranje perila, ki vsebuje moko, lahko poškoduje vaš stroj.
- Upoštevajte navodila proizvajalcev glede uporabe balzama za tkanine ali podobnih izdelkov, ki jih nameravate uporabiti v vašem pralnem stroju.
- Prepričajte se, da vrata vašega pralnega stroja niso omejena in jih je mogoče v celoti odpreti.

Vaš stroj namestite na mesto, ki ga je mogoče popolnoma prezračevati in je po možnosti stalno kroženje zraka.

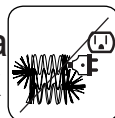
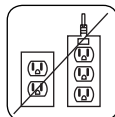
**⚠ Preberite ta opozorila. Upoštevajte nasvete, da zaščitite sebe in druge pred tveganji in smrtnimi poškodbami.**

## **TVEGANJE IZGOREVANJA**

**⚠** Med delovanjem pralnega stroja se ne dotikajte odtočne cevi ali izpraznjene vode. Visoke temperature predstavljajo nevarnost opeklin.

## **⚠⚡ TVEGANJE SMRTI ZARADI ELEKTRIČNEGA TOKA**

- Pralnega stroja ne priključujte na električno omrežje s podaljškom.
- Ne vstavite poškodovanega vtiča v vtičnico.
- Nikoli ne odstranjajte vtiča iz vtičnice, tako da povlečete kabel. Vedno držite vtiča.
- Nikoli se ne dotikajte napajalnega kabla / vtiča z mokrimi rokami, ker lahko to povzroči kratek stik ali električni udar.
- Ne dotikajte se pralnega stroja, če so roke ali stopala mokre.
- Poškodovan napajalni kabel/vtič lahko povzroči požar ali električni udar. Če je poškodovan, ga je treba zamenjati, kar pa lahko naredi le usposobljeno osebje.



## **⚠ Nevarnost poplave**

- Preden postavite odtočno cev v umivalnik, preverite hitrost pretoka vode.
- Izvedite potrebne ukrepe, da cev ne zdrsne.
- Če ni pravilno pritrjen, lahko pretok vode odstrani



cev. Prepričajte se, da čep v umivalniku ne blokira luknjo za čep.

### **Nevarnost požara**

- Ne hranite vnetljivih tekočin v bližini vašega stroja.
- Vsebnost žvepla v odstranjevalcih barve lahko povzroči korozijo. V stroju nikoli ne uporabljajte materialov za odstranjevanje barve.
- Nikoli ne uporabljajte izdelkov, ki vsebujejo topila v vašem stroju.
- Prepričajte se, da oblačila, naložena v vašem pralnem stroju, ne vsebujejo tujkov, kot so žebliji, igle, vžigalniki in kovanci.

### **Nevarnost požara in poškodb**

#### **Nevarnost padca in poškodb**

- Ne plezajte na svoj pralni stroj.
- Prepričajte se, da cevi in kabli ne povzročajo nevarnosti potovanja.
- Pralnega stroja ne obračajte na glavo ali na njegovo stran.
- Pralnega stroja ne dvigujte z vrati ali predalnikom detergenta.



#### **Stroj morata prevažati vsaj 2 osebi.**

#### **Varnost otrok**

- Pazite, da se otroci ne zadržujejo v bližini stroja brez nadzora. Otroci se lahko zaklenejo v stroj, kar se lahko konča s smrtjo.
- Med delovanjem ne dovolite, da bi se otroci dotikali steklenih vrat. Površina postane zelo vroča in lahko poškoduje kožo.


- Embalažni material hranite izven dosega otrok.
- V primeru zaužitja detergenta in čistilnih materialov ali če pridejo v stik s kožo in očmi, lahko pride do zastrupitve in draženja. Čistilna sredstva hranite izven dosega otrok.



## 1.2 Med uporabo

- Obdržite hišnih ljubljencev stran od svojega stroja.
- Pred odstranitvijo embalaže preverite embalažo vašega stroja in zunanjo površino stroja. Stroja ne uporabljajte, če je videti poškodovan ali če je bila embalaža odprta.
- Vaš stroj mora namestiti samo pooblaščen serviser. Namestitev, ki jo opravi kdo drug kot pooblaščen zastopnik, lahko razveljavi vašo garancijo.
- Ta stroj smejo uporabljati otroci, starejši od 8 let, in osebe s psihičnimi, senzoričnimi ali duševnimi motnjami in neusposobljene ali neizkušene osebe, če so pod nadzorom ali če so prejele navodila za uporabo proizvoda na varen način in razumejo vpletene nevarnosti. Otroci se ne smejo igrati z napravo. Čiščenja in vzdrževanja ne smejo opravljati otroci brez nadzora.
- Stroj uporabljajte le za perilo, ki ga je proizvajalec označil kot primerno za pranje v stroju.
- **Pred uporabo pralnega stroja odstranite 4 prehodne vijake in gumijaste distančnike z zadnjega dela stroja. Če vijakov ne odstranite, lahko povzročijo močne vibracije, hrup in nepravilno delovanje stroja in povzročijo razveljavitev garancije.**

- Vaša garancija ne pokriva škode, ki jo povzročijo zunanji dejavniki, kot so požar, poplava in drugi viri škode.
- Prosimo, ne zavržite tega uporabniškega priročnika; hranite ga za nadaljnjo uporabo in ga prenesite naslednjem lastniku.

 **OPOMBA:** Specifikacije stroja se lahko razlikujejo glede na kupljen izdelek.

## 1.3 Embalaža in okolje

### Odstranjevanje embalažnih materialov

Embalažni materiali ščitijo vaš stroj pred kakršnimi koli poškodbami, ki bi nastale med prevozom. Embalažni materiali so okolju prijazni, saj jih je mogoče reciklirati. Uporaba recikliranega materiala zmanjšuje porabo surovin in zmanjšuje nastajanje odpadkov.

## 1.4 Informacije o prihrankih

Nekaj pomembnih informacij za najučinkovitejšo uporabo vašega stroja:

- Ne prekoračite največje dovoljene obremenitve za izbrani program pranja. To bo omogočilo delovanje vašega stroja v varčevalnem načinu.
- Za rahlo umazano perilo ne uporabljajte funkcije predpranja. Tako boste prihranili pri porabi električne energije in vode.

## Izjava o skladnost CE

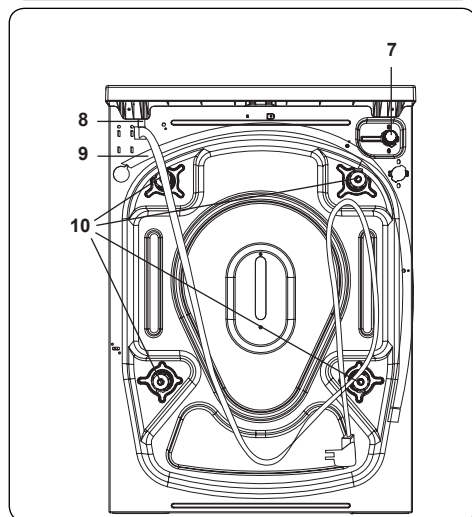
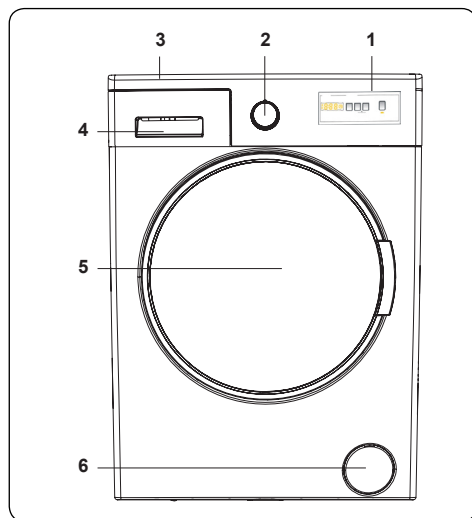
Izjavljamo, da naši izdelki izpolnjujejo veljavne evropske direktive, odločbe in uredbe ter zahteve, navedene v referenčnih standardih.

## Odstranjevanje starega stroja



Simbol na izdelku ali embalaži označuje, da s tem izdelkom ne smete ravnati kot z gospodinjskimi odpadki. Predati ga je treba na ustrezno zbirno mesto za recikliranje električne in elektronske opreme. S pravilnim odlaganjem tega izdelka pripomorete k preprečevanju morebitnih negativnih posledic za okolje in zdravje, ki so lahko vzrok nepravilnega ravnanja pri odstranjevanju tega izdelka. Za podrobnejše informacije o recikliranju tega izdelka se obrnite na lokalni urad, službo za odstranjevanje gospodinjskih odpadkov ali trgovino, kjer so izdelek kupili.

## 2. TEHNIČNE SPECIFIKACIJE



### 2.1 Splošni videz

1. Elektronski prikaz
2. IZBIRA PROGRAMA
3. Zgornji pladenj
4. Predal za pralno sredstvo
5. Boben
6. Pokrov filtra črpalke
7. Vstopni ventil za vodo
8. Napajalni kabel
9. Izpustna cev za odtok vode.

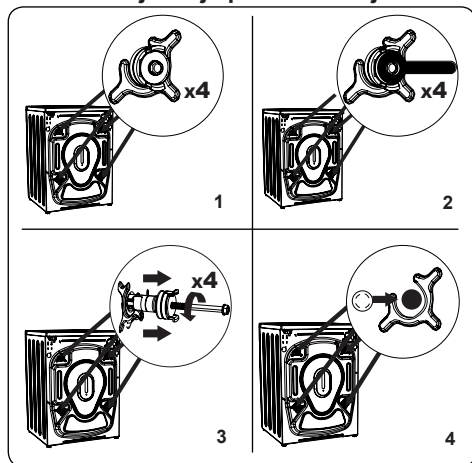
### 10. Tranzitni vijaki

### 2.2 Tehnične specifikacije

Delovna napetost/ frekvenca (V/Hz)	(220-240) V~/50Hz
Skupni tok (A)	10
Vodni tlak (Mpa)	Maksimum: 1 Mpa Minimum: 0.1 Mpa
Skupna moč (W):	2200
Največja količina suhlega perila (kg)	9
Vrtljaji (vrt / min)	1400
Številka programa	15
Dimenzije (mm)	
Višina	845
Širina	597
Globina	582

### 3. NAMESTITEV

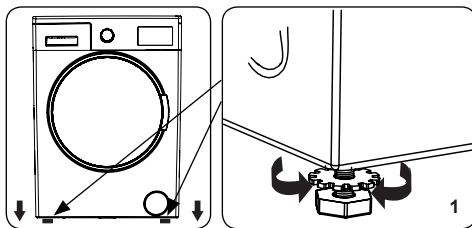
#### 3.1 Odstranjevanje prehodnih vijakov



1. Pred uporabo pralnega stroja odstranite 4 prehodne vijake in gumijaste distančnike z zadnjega dela stroja. Če vijakov ne odstranite, lahko povzročijo močne vibracije, hrup in nepravilno delovanje stroja in povzročijo razveljavitev garancije.
2. Odvijte tranzitne vijake tako, da jih odvijte v nasprotni smeri urinega kazalca z ustreznim ključem.
3. Odstranite tranzitne vijake z ravnim potegom.
4. Plastične zaporne pokrovčke, priložene v vrečki z dodatki, namestite v vrzeli, z odstranitvijo prehodnih vijakov. Tranzitne vijake je treba shraniti za nadaljnjo uporabo.

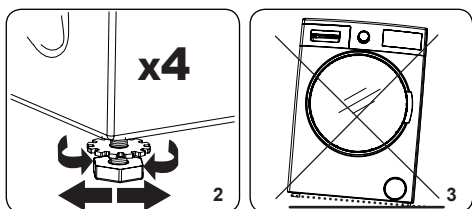
**OPOMBA:** Pred prvo uporabo stroja odstranite tranzitne vijake. Napake, ki nastanejo zaradi stroja, ki deluje s nameščenimi tranzitnimi vijaki, ne spadajo v garancijo.

#### 3.2 Prilagoditev stopal / Prilaganje nastavljivih nog



1. Naprave ne namestite na površino (na primer preprogo), ki bi preprečevala prezračevanje od spodaj.

  - Če želite zagotoviti nemoten in brez vibracij stroj, ga namestite na trdno površino.
  - Stroj lahko izravnate z nastavljivimi nogami.
  - Odvijte plastično zaporno matico.



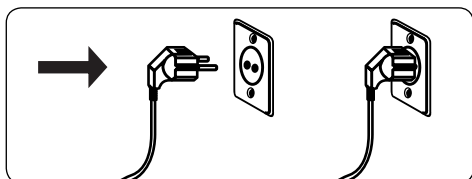
2. Če želite povečati višino stroja, vrtite noge v smeri urinega kazalca. Če želite zmanjšati višino stroja, obrnite noge v nasprotni smeri urinega kazalca.

  - Ko je stroj raven, privijte zaporne matice tako, da jih zavrtite v smeri urinega kazalca.

3. Nikoli ne vstavljajte kartona, lesa ali drugih podobnih materialov pod stroj, da ga izravnate.

  - Med čiščenjem tla, na katerem se nahaja stroj, pazite, da ne boste motili nivoja stroja.

#### 3.3 Električna povezava



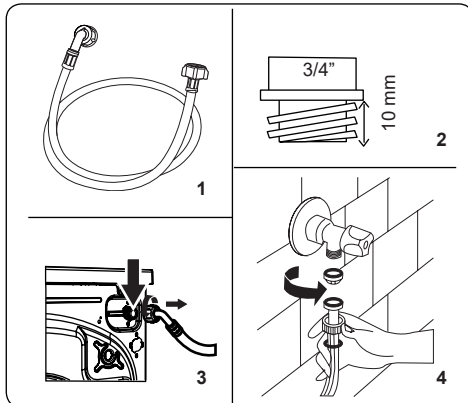
1. Vaš pralni stroj potrebuje napajanje od

220 do 240 V, 50 .

- Omrežni kabel vašega pralnega stroja je opremljen z ozemljenim vtičem. Ta vtič je treba vedno vstaviti v ozemljeno vtičnico 10 amperov.
- Če nimate ustrezne vtičnice in varovalke, ki bi bila skladna s tem, se prepričajte, da delo izvaja kvalificirani električar.
- Za škodo, ki nastane zaradi opreme, ki ni električno ozemljena., ne prevzemamo odgovornosti.

**OPOMBA:** Delovanje stroja pri nizki napetosti skrajša tehnično življenjsko dobo vašega stroja in omeji njegovo učinkovitost.

### 3.4 Priključek za dovajanje vode

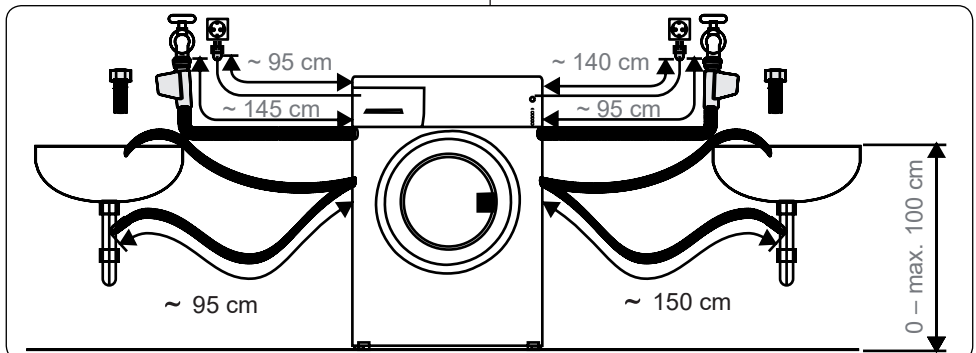


1. Vaša naprava ima lahko en sam priključek za dovod vode (hladna) ali dvojni priključek za dovod vode (vroča in hladna), odvisno od specifikacij stroja.

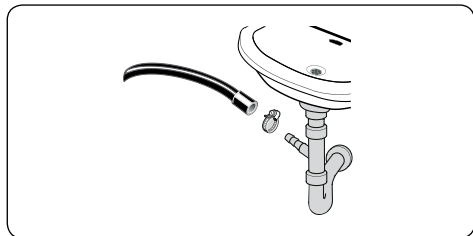
Belo pokrovno cev je treba priključiti na dovod hladne vode, rdečo pokrovno cev pa na dovod tople vode (če je na voljo)

- Da preprečite puščanje vode na spojih, je v embalaži skupaj s cevjo, sta priloženi 1 ali 2 matici (odvisno od specifikacije vašega stroja). Namestite te matice na koncu cevi, ki se priključijo na dovod vode.
2. Nove cevi za dovod vode priključite na  $\frac{3}{4}$  " navojno pipo.
  - Priključite beli konec cevi za dovod vode na beli ventil za dovod vode na zadnji strani stroja in rdeč konec cevi na rdeči ventil za dovod vode (če je na voljo).
  - Ročno zategnite povezave. V primeru dvoma se posvetujte s kvalificiranim inštalaterjem.
  - Pretok vode s tlakom 0. 1-1 Mpa pripomene k boljši učinkovitosti stroja (tlak 0. 1 Mpa pomeni, da več kot 8 litrov vode steče skozi popolnoma odprto pipo v eni minuti).
3. Ko izvedete vse povezave, previdno vklopite dovod vode in preverite, da puščajo.
  4. Poskrbite, da nove cevi za dovod vode ne bodo ujete, upognjene, zvite, zložene ali zdrobljene.
  - Če ima vaš stroj priključek za vročo vodo, temperatura dovoda tople vode ne sme biti višja od 70 ° C.

**OPOMBA:** Vaš pralni stroj mora biti na vašo vodo priključen samo s priloženo novo cevjo za polnjenje. Starih cevi ne smete ponovno uporabiti.

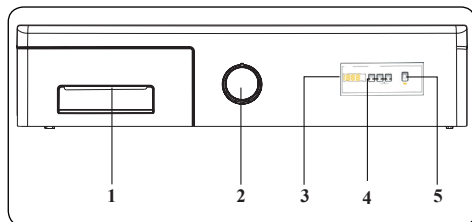


### 3.5 Priključek za odvajanje vode



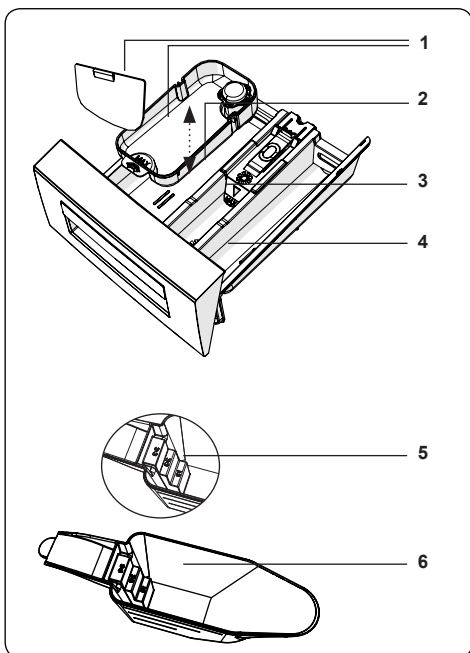
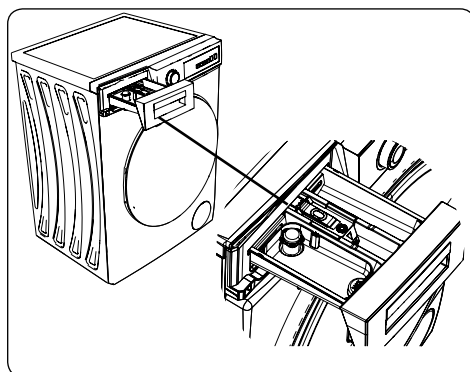
- S pomočjo dodatne opreme priključite cev za odtok vode v izpustno cev ali na izstopni komolec gospodinjskega umivalnika.
- Nikoli ne poskušajte podaljšati cevi za odtok vode.
- Ne odlagajte cevi za odtok vode iz svojega stroja v posodo, vedro ali kopalno kad.
- Prepričajte se, da cev za odtok vode ni skrivljena, upognjena, zdrobljena ali podaljšana.
- Cev za odtok vode mora biti nameščena na najvišji višini 100 cm od tal.

## 4. PREGLED NADZORNEGA PANELA



1. Predal za pralno sredstvo
2. IZBIRA PROGRAMA
3. Elektronski prikaz

### 4.1 Predal za pralno sredstvo

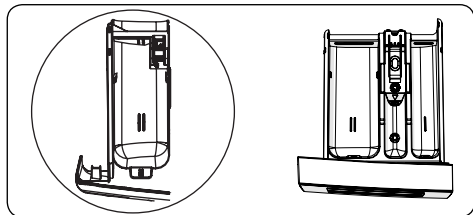


1. Ripomočki za tekoče pralno sredstvo
  2. Predelek glavnega pralnega sredstva
  3. Predelek za mehčanje
  4. Predelek sredstva za predpranje
  5. Ravni praškastega detergenta
  6. Zajemalka praškastega detergenta (\*)
- (\*) Specifikacije stroja se lahko razlikujejo glede na kupljen izdelek.



## 4.2 Odseki

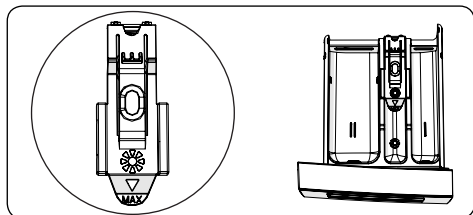
### Predelek glavnega pralnega sredstva



Ta predal je namenjen tekočim ali prašnim detergentom ali odstranjevalcem vodnega kamna. Plošča s nivojem tekočega detergenta bo priložena vašemu stroju.

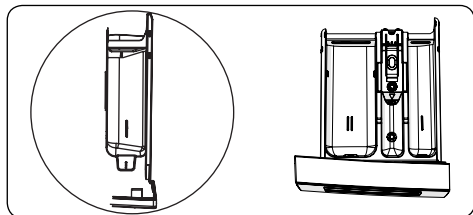
(\*)

### Balzam za tkanine, škrob, predal za detergent:



Ta predal je namenjen mehčalcem, balzamu ali škrobu. Sledite navodilom na embalaži. Če mehčalci po uporabi puščajo ostanke, jih poskusite razredčiti ali uporabiti tekoče mehčalo.

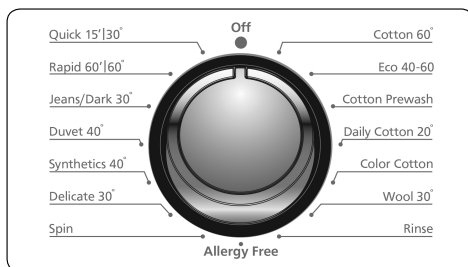
### Predelek sredstva za predpranje



Ta predelek uporabljajte le, ko izberete funkcijo predpranja. Priporočeno je, da funkcijo predpranja uporabite le za zelo umazano perilo.

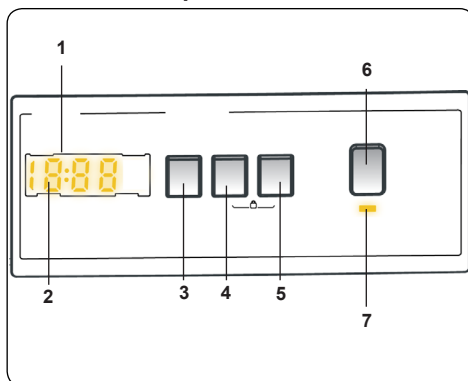
(\*) Specifikacije stroja se lahko razlikujejo glede na kupljen izdelek.

## 4.3 IZBIRA PROGRAMA



- Če želite izbrati želeni program, vrtite programski gumb v smeri urinega kazalca ali v nasprotni smeri urinega kazalca, dokler oznaka na številki programa ne kaže na izbrani program.
- Preverite, da je gumb za izbiro programa nastavljen natančno na program, ki ga želite izbrati.

## 4.4 Elektronski prikaz

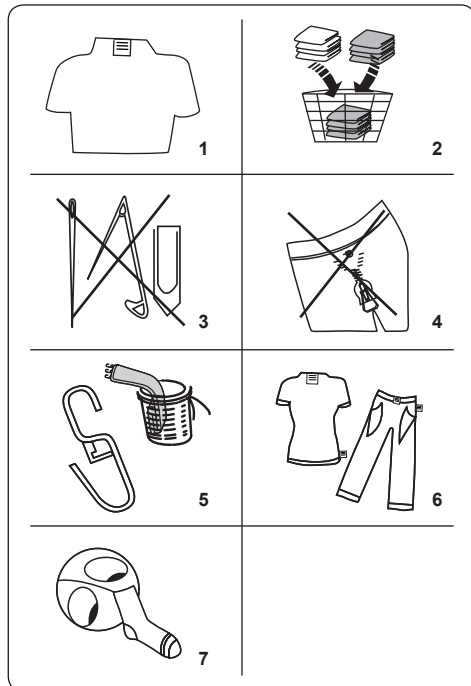


1. Elektronski prikaz
2. Digitalni prikaz
3. Gumb za prilagajanje temperature vode
4. Gumb za prilagoditev vrtilne frekvence
5. Gumb 1 za dodatno funkcijo
6. Gumb za zagon/premor
7. Lučka gumba za zagon/premor

Na prikazovalnem zaslonu so prikazani časovnik zakasnitve pranja (če je nastavljen), izbira temperature, hitrost centrifugiranja, vse izbrane dodatne funkcije. Ko je izbrani program končan, se na zaslonu prikaže "End". Na zaslonu se prikaže tudi, če je prišlo do napake na vaši napravi.

## 5. UPORABA VAŠEGA STROJA

### 5.1 Priprava perila



1. Upoštevajte navodila, navedena na nalepkah za nego na oblačilih.
  - Perilo ločite glede na vrsto (bombaž, sintetično, občutljivo, volna itd.), Temperaturo pranja (hladno, 30 °, 40 °, 60 °, 90 °) in stopnjo umazanije (rahlo obarvano, obarvano, močno obarvano).
2. Ne perite skupaj barvnega in belega perila.
  - Temni tekstil lahko vsebuje odvečno barvilo in ga je treba večkrat oprati ločeno.
3. Prepričajte se, da ni kovinskih predmetov na vašem perilu ali v žepih; če so, jih odstranite.

**POZOR:** Morebitne okvare, ki nastanejo zaradi tujih materialov, ki poškodujejo vaš stroj, niso zajeti v garanciji.

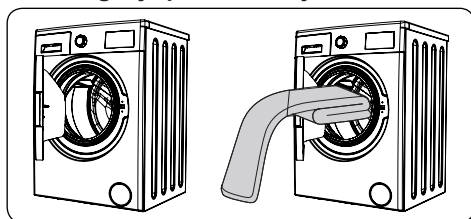
4. Zaprite zadrgе in pritrdite vse kavlje in ušesca.
5. Odstranite kovinske ali plastične kavlje

zaves ali jih položite v mreži ali vrečko za pranje.

6. Obrnite tkanine, kot so hlače, pletenine, majice in trenirke.
7. Nogavice, robčke in podobno manjše perilo perite v mreži za pranje.

Lahko se beli	Ne uporabljajte belila	Običajno pranje
Maksimalna temperatura likanja 150°C	Maksimalna temperatura likanja 200°C	Ne likajte
Cn je treba kemično očistiti	Brez kemičnega čiščenja	Posušite ravno
Kapljanje posušite	Obesite za sušenje.	Ne sušite
Dovoljeno je kemično čiščenje v plinskem olju, čistem alkoholu in R113	Perchloroethylene R11, R13, Petroleum	Perchlorinetylene R11, R113, Plinsko olje

### 5.2 Polaganje perila v stroj



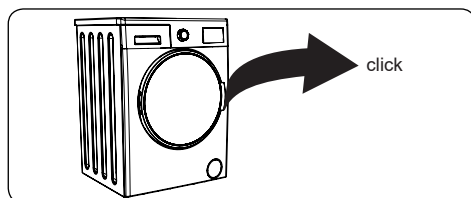
- Odprite vrata svojega stroja.
- Perilo enakomerno razporedite po stroju.

**OPOMBA:** Pazite, da ne presežete največje obremenitve bobna, ker boste s tem pustili slabe rezultate pranja in povzročili zmečkanje. Za informacije o nosilnosti glejte tabele programa pranja.

Naslednja tabela prikazuje približne teže običajnih perila:

VRSTA PERILA	TEŽA (gr)
Brisača	200
Posteljina	500
Kopalni plašč	1200
Prešita prevleka	700
Prevleka za blazino	200
Spodnje perilo	100
Prt	250

- Vstavite vsak kos perila posebej.
- Prepričajte se, da med gumijastim tesnilom in vrati ni nobenih predmetov perila.
- Nežno potisnite vrata, dokler se ne zapre.



- Prepričajte se, da so vrata popolnoma zaprta, sicer se program ne bo zagnal.

### 5.3 Dodajanje detergenta v stroj

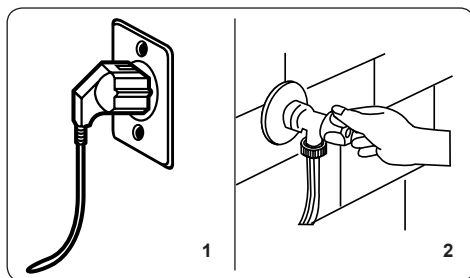
Količina pralnega sredstva, ki ga boste dodali v stroj, je odvisna od naslednjih kriterijev:

- Če so vaša oblačila le rahlo umazana, predpranje ni potrebno. V predalu II, predal za detergent, vstavite majhno količino detergenta (kot je določil proizvajalec).
- Če so vaša oblačila prekomerno umazana, izberite program predpranja in vstavite  $\frac{1}{4}$  detergenta, ki ga boste uporabili, v predal I in ostalo v predelu II.
- Uporabite pralna sredstva, ki so izdelana za samodejne pralne stroje. Upoštevajte navodila proizvajalca o količini uporabljenega detergenta.
- Na območjih s trdo vodo bo potrebno več detergenta.
- Količina potrebnega detergenta se bo povečala, z večjim pralnim tovorom.

- V srednji del predala za detergent postavite mehčalec. Ne presegajte ravni MAX.
- Gosti mehčalci lahko povzročijo zamašitev predala in ga je treba razredčiti.
- V vseh programih je možno uporabljati tekoče detergente brez predpranja. To naredite tako, da ploščo nivoja tekočega detergenta (\*) potisnete v vodila v predelu II, predala detergenta. Uporabite črte na plošči kot vodilo, da napolnite predal na Zeleno raven.

(\*) Specifikacije stroja se lahko razlikujejo glede na kupljen izdelek.

### 5.4 Upravljanje stroja



1. Priključite svoj stroj na električno omrežje.
2. Vključite dovod vode.
  - Odprite vrata stroja.
  - Perilo enakomerno razporedite po stroju.
  - Nežno potisnite vrata, dokler se ne zapre.

### 5.5 Izbira programa

S pomočjo programskih tabel izberite najprimernejši program za svoje perilo.

### 5.6 Sistem za samodejno zaznavanje Polovične Obremenitve

Vaš stroj je opremljen s funkcijo samodejnega zaznavanja Polovične Obremenitve.

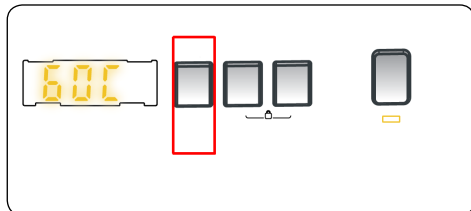
Če v svoj stroj postavite manj kot polovico maksimalnega perila, bo ta samodejno nastavljal funkcijo polovičnega nalaganja, ne glede na program, ki ste ga izbrali. To pomeni, da bo izbrani program potreboval manj časa za dokončanje in bo porabil manj vode in energije.

(\*) Odvisno od modela

## 5.7 Dodatne funkcije

### 1. Izbira temperature

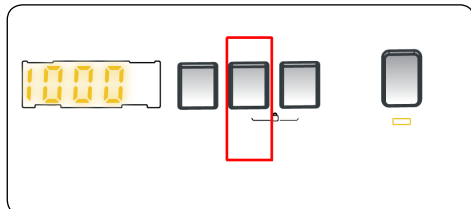
S pomočjo gumba za nastavev temperature pralne vode spremenite samodejno programirano temperaturo pralne vode.



Ko izberete program, se samodejno izbere najvišja temperatura za ta program. Če želite prilagoditi temperaturo, pritisnite gumb za nastavev temperature vode, dokler se na digitalnem zaslonu ne prikaže zelena temperatura.

Z gumbom za prilagoditev temperature vode za pranje lahko postopoma zmanjšate temperaturo vode za pranje med najvišjo temperaturo in hladnim pranjem(- - C)

### 2. Izbira hitrosti centrifugiranja

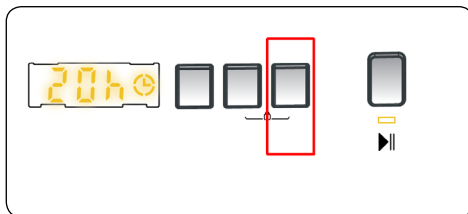


Ko izberete program, se samodejno izbere najvišja hitrost centrifugiranja za ta program.

Če želite prilagoditi hitrost centrifugiranja med največjo hitrostjo centrifugiranja in možnostjo preklica centrifugiranja, (- - -), pritisnite gumb za hitrost centrifugiranja, dokler se ne prikaže zelena hitrost.

Če ste preskočili hitrost centrifugiranja, ki jo želite nastaviti, nadaljujte s pritiskom gumba za nastavev hitrosti centrifugiranja, dokler se znova ne prikaže zelena hitrost vrtenja.

## 3. Časovni zamik



S to pomožno funkcijo lahko odložite čas začetka pralnega cikla za 1 do 23 ur

Za uporabo funkcije časovnega zamika:

- Enkrat pritisnete tipko za časovni zamik.
- "01h" se prikaže. ☉ zasveti na elektronskem zaslonu.
- Pritisnete tipko za časovni zamik, dokler ne dosežete časa, po katerem želite, da stroj začne cikel pranja.
- Če ste preskočili čas časovnega zamika, ki ga želite nastaviti, lahko še naprej pritisnete tipko za časovni zamik, dokler ne dosežete tega časa.
- Če želite uporabiti funkcijo časovnega zamika, morate pritisniti tipko zagon/premor, da bi zagnali stroja.
- Če želite preklicati časovni zamik:
  - Če ste za zagon stroja pritisnili tipko zagon/premor, morate samo enkrat pritisniti tipko za časovni zamik. ☉ se izključi na elektronskem zaslonu.
  - Če še niste pritisnili tipke zagon/premor, pritisnite neprekinjeno tipko za časovni zamik ☉, dokler se na elektronskem zaslonu ne izkljopi. ☉ se izključi na elektronskem zaslonu.

**OPOMBA:** Če želite izbrati funkcijo pomožne funkcije, če LED za pomožno funkcijo ne sveti, to pomeni, da se ta funkcija ne uporablja v izbranem programu pranja.

#### 4. Antialergijsko(\*)

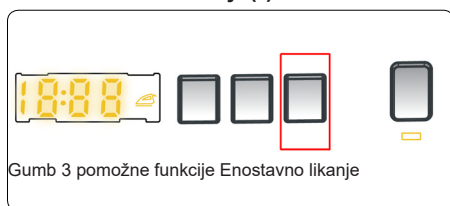


Gumb 3 pomožne funkcije Antialergijsko

S to dodatno funkcijo lahko perilu dodate dodatno operacijo izpiranja. Vaš stroj izvaja vse korake izpiranja z vročo vodo. Priporočamo to nastavitve za perilo, ki ga nosite na občutljivi koži, otroška oblačila in spodnje perilo.

Če želite izbrati to funkcijo, pritisnite na antialergijsko tipko. ☹️ ob prikazu simbola.

#### 5. Enostavno likanje(\*)



Gumb 3 pomožne funkcije Enostavno likanje

Z uporabo te funkcije bo vaše perilo na koncu izbranega programa pranja manj nagubano.

Če želite izbrati to funkcijo, pritisnite gumb Enostavno likanje 🧺 ob prikazu simbola

#### 6. Predpranje(\*)

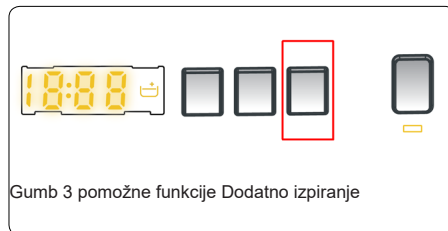


Gumb 3 pomožne funkcije Predpranje

Ta dodatna funkcija vam omogoča, da močno umazano perilo predpranjem opravite pred glavnim programom pranja. Med uporabo te funkcije, dodajte pralno sredstvo v sprednji predelek predala za pralno sredstvo.

Če želite izbrati to funkcijo, pritisnite gumb Predpranje 🧴 ob prikazu simbola.

#### 7. Dodatno izpiranje (\*)



Gumb 3 pomožne funkcije Dodatno izpiranje

S to dodatno funkcijo lahko na koncu izbranega programa pranja dodate dodatno izpiranje. Če želite izbrati to funkcijo, pritisnite gumb za dodatno izpiranje. 🚰 ob prikazu simbola.

#### 8. Hitro pranje (\*)



Gumb 3 pomožne funkcije Hitro pranje

Perilo lahko operete v krajšem času, pri čemer porabite manj energije in vode, tako da izberete to dodatno funkcijo.

Priporočamo, da to možnost uporabite samo, če za izbrani program perete manj kot polovico največje suhe količine.

Če želite izbrati to funkcijo, pritisnite gumb Hitro pranje ⚡ ob prikazu simbola.


**OPOMBA:** Če v svoj stroj postavite manj kot polovico maksimalnega perila, bo ta samodejno nastavljal funkcijo polovičnega nalaganja, ne glede na program, ki ste ga izbrali. To pomeni, da bo izbrani program potreboval manj časa za dokončanje in bo porabil manj vode in energije. Ko naprava zazna polovico obremenitve, ⚡ se simbol samodejno prikaže.

(\*) Odvisno od modela

## 9. Brez centrifugiranja(\*)



Gumb 3 pomožne funkcije Brez centrifugiranja


Če ne želite izvajati stiskanja perila, lahko uporabite to pomožno funkcijo. Program lahko aktivirate s pritiskom na gumb za prekinitev stiskanja na zaslonu,  ko se prižge LED lučka simbola.

## 10. Hladno pranje(\*)



Gumb 3 pomožne funkcije Hladno pranje

To pomožno funkcijo lahko uporabite, kadar

želite perilo oprati s hladno vodo(vodo iz pipe). Program lahko aktivirate s pritiskom na gumb za hladno pranje na zaslonu,  ko se prižge LED lučka simbola.

(\*) Specifikacije stroja se lahko razlikujejo glede na kupljen izdelek.

## Gumb zagon/ premor

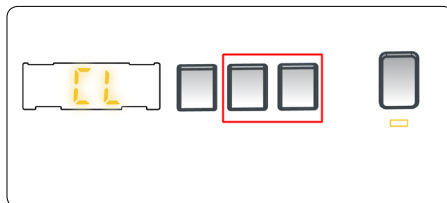


S pritiskom na gumb zagon/ premor lahko zaženete program, ki ste ga izbrali ali začasno zaustavite tekoči program. Če preklopite stroj v način pripravljenosti, bo na elektronskem zaslonu utripala luč za zagon/premor.

## 5.8 Otroška ključavnica

Funkcija Otroška ključavnica omogoča zaklepanje gumbov, tako da izbranega cikla pranja ne morete nenamerno spremeniti.

Če želite aktivirati otroško ključavnico, istočasno držite gumb 2 in 3 vsaj 3 sekunde. Ko je aktivirana otroška ključavnica, bo na elektronskem prikazovalniku utripal "CL" 2 sekundi.



Če je pritisnjen katerikoli gumb ali je izbrani program spremenjen s pomočjo gumba za programiranje, ko je aktivirana otroška ključavnica, bo simbol "CL" na elektronskem zaslonu utripal 2 sekundi.

Če je funkcija Otroška ključavnica vključena in se program izvaja, ko je programski gumb obrnjen v položaj CANCEL in je izbran drug program, se prej izbrani program nadaljuje od mesta, kjer je ostal.

Za izključitev otroške ključavnice istočasno držite tipki 2 in 3 vsaj 3 sekunde, dokler simbol »CL« na elektronskem zaslonu ne izgine.

## 5.9 Preklic programa

Če želite kadar koli preklicati zagnani program:

1. Obrnite gumb za izbiro programa v položaj "STOP".
2. Delovanje stroja se bo ustavilo in program bo preklican.
3. Obrnite gumb za izbiro programa na kateri koli drug program, da izčrpate stroj.
4. Stroj bo izvedel potrebno izčrpanje vode in preklical program.
5. Zdaj lahko izberete in zaženete nov program.

## 5.10 Konec programa



Ko se izbrani program zaključi, se stroj samodejno ustavi.

- Na elektronskem zaslonu zasveti simbol. " KONEC"
- Lahko odprete vrata stroja in odstranite perilo.
- Pustite vrata stroja odprta, da se notranji del posuši, ko odstranite perilo.
- Obrnite gumb za izbiro programa v položaj "STOP".
- Izklopite stroj.
- Izklopite pipo za vodo.

## 6. PREGLEDNICA PROGRAMOV

Program	Temperatura pranja (°C)	Največja količina suhega perila (kg)	Predelek za pralno sredstvo	Trajanje programa (min)	Vrsta perila/opis
BOMBAŽ 60°	*60-90-80-70-40	9,0	2	230	Zelo umazano, bombažna in lanena oblačila. (Spodnje perilo, posteljina, namizni prt, brisača (maksimum 4,5 kg), posteljina, itd.)
ECO 40-60	*40 - 60	9,0	2	228	Umazano, bombažna in lanena oblačila. (Spodnje perilo, posteljina, namizni prt, brisača (maksimum 4,5 kg), posteljina, itd.)
Bombaž predpranje	*60 - 50 - 40 - 30 - "- -C"	9,0	1&2	164	Umazano, bombažna in lanena oblačila. (Spodnje perilo, posteljina, namizni prt, brisača (maksimum 4,5 kg), posteljina, itd.)
DNEVNO BOMBAŽ 20°	*20- "- -C"	4,5	2	96	Manj umazanega, bombažnega in lanenega tekstila. (Spodnje perilo, posteljina, namizni prt, brisača (max. 2,5 kg), posteljina, itd.)
BARVA BOMBAŽ	*40 - 30 - "- -C"	3,5	2	222	Manj umazanega, bombažnega in lanenega tekstila. (Spodnje perilo, posteljina, namizni prt, brisača (max. 2,5 kg), posteljina, itd.)
VOLNA 30°	*30 - "- -C"	2,5	2	43	Volnena oblačila z etiketo za strojno pranje.
IZPIRANJE	** - -C"	9,0	-	30	Zagotavlja dodatno izpiranje vseh vrst perila po ciklu pranja.
BREZ ALERGIJ	*60 - 50 - 40 - 30 - "- -C"	4,0	2	197	Otroško perilo
CENTRIFUGIRANJE	** - -C"	9,0	-	17	Ta program lahko uporabite za katero koli vrsto perila, če želite po ciklu pranja dodatni korak izpiranja .
OBČUTLJIVO 30°	*30 - "- -C"	2,5	2	90	Perilo, za katero je priporočeno ročno pranje, ali občutljivo perilo.
SINTETIČNA 40°	*40 - 30 - "- -C"	3,5	2	110	Zelo umazano ali mešana sintetična oblačila. (Najlonske nogavice, majice, bluze, hlače iz sintetičnih izdelkov itd.)
ODEJA 40°	*40 - 30 - "- -C"	-	2	103	Za pranje odeje iz vlaken z nalepko za strojno pranje. (največ 2,5 kg)
KAVBOJKE/TEMNO 30°	*30 - "- -C"	3,5	2	96	Črni in temni predmeti iz bombaža, mešanih vlaken ali jeans. Operite navznoter. Jeans pogosto vsebuje odvečno barvilo in lahko teče v prvih nekaj pranjih. Lahke in temno obarvane predmete perite ločeno
HITREJE 60°/60°	*60 - 50 - 40 - 30 - "- -C"	4,0	2	60	Umazani, bombažni, obarvani in laneni tekstil perejo pri 60 ° C v 60 minutah.
HITRO 15°/30°	*30 - "- -C"	2,0	2	15	V kratkem času 15 minut lahko rahlo umazan, bombažen, barven in laneni tekstil, ki ga lahko operete.





OPOMBA: TRAJANJE PROGRAMA SE LAHKO SPREMENI GLEDE NA KOLIČINO PERILA, VODO, TEMPERATURO OKOLICE IN IZBRANE DODATNE FUNKCIJE.

(\*) Temperatura pralne vode programa je tovarniško privzeta.

(\*\*) Če ima vaš stroj pomožno funkcijo hitrega pranja, lahko na zaslonski plošči omogočite možnost hitrega pranja in v 30 minutah stroj naložite z 2 kg perila, da ga operete.

(\*\*\*) Zaradi kratkega časa pranja tega programa priporočamo uporabo manj detergenta. Program lahko traja dlje kot, 15 minut, če vaš stroj zazna neenakomerno obremenitev. Vrata stroja lahko odprete 2 minuti po končanem postopku pranja. (2-minutno obdobje ni vključeno v trajanje programa).

V skladu z uredbama 1015/2010 in 1061/2010 sta program 1 in program 2 "standardni program za bombaž 60 ° C" in "standardni program za bombaž 40 ° C".

Program Eco 40-60 lahko v istem ciklu očisti normalno umazano bombažno perilo, za katero je razvidno, da se lahko pere pri 40 ° C ali 60 ° C, in da se ta program uporablja za oceno skladnosti z zakonodajo EU o okoljskem oblikovanju.

- Najučinkovitejši programi glede porabe energije so na splošno tisti, ki delujejo pri nižjih temperaturah in daljšem trajanju.
- Nalaganje gospodinjskega pralnega stroja do zmogljivosti, ki jih za ustrezne programe navede proizvajalec, bo prispevalo k prihranku energije in vode.
- Trajanje programa, poraba energije in poraba vode se lahko razlikujejo glede na težo in vrsto pranja, izbrane dodatne funkcije, vodo iz pipe in temperaturo okolice.
- Za programe pranja pri nizki temperaturi priporočamo uporabo tekočega detergenta. Količina detergenta, ki ga je treba uporabiti, se lahko razlikuje glede na količino perila in stopnjo umazanije perila. Prosimo, upoštevajte priporočila proizvajalcev detergentov glede količine uporabljenega detergenta.
- Na hrup in preostalo vsebnost vlage vpliva hitrost centrifugiranja. Večja hitrost centrifugiranja v fazi centrifugiranja, višji hrup in nižja vsebnost vlage.
- Do baze podatkov izdelka, kjer so shranjene informacije o modelu, lahko dostopate z branjem QR kode na energijski nalepki.

Ime programa	Nazivna zmogljivost kg	Poraba energije kWh / cikel			Trajanje programa Ure: Minute			Poraba vode Litrov / cikel			Max. Temperatura °C			Preostala vsebnost vlage % 1400 vrtljajev		
		Nazivna zmogljivost	1/2 obremenitve	1/4 obremenitve	Nazivna zmogljivost	1/2 obremenitve	1/4 obremenitve	Nazivna zmogljivost	1/2 obremenitve	1/4 obremenitve	Nazivna zmogljivost	1/2 obremenitve	1/4 obremenitve	Nazivna zmogljivost	1/2 obremenitve	1/4 obremenitve
Bombaž 90°	9	2,4			03:13			84			81			53%		
Bombaž 60°	9	1,34			03:50			57			57			53%		
Eco 40-60	9	1,30	0,71	0,32	03:48	02:54	02:54	57	48	36	50	36	23	53%	53%	53%
Sintetična 40°	3,5	0,57			01:50			50			42			53%		
Hltreje 60°/160°	4	1,11			01:00			35			58			53%		
Dnevno bombaž 20°	4,5	0,21			01:36			52			20			53%		

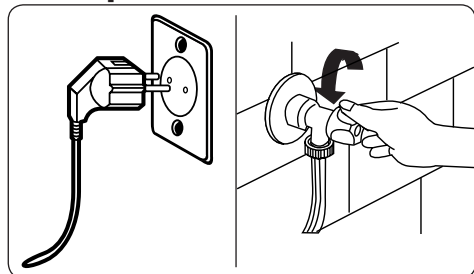
## 6.1 Pomembne informacije

- Uporabljajte detergente, mehčala in druge dodatke, primerne samo za avtomatske pralne stroje. Nastala je prekomerna pena in zaradi prevelike uporabe detergenta se je aktiviral samodejni sistem absorpcije pene.
- Priporočamo občasno čiščenje pralnega stroja vsaka 2 meseca. Za občasno čiščenje uporabite program Drum Clean. Če vaš stroj nima programa Drum Clean, uporabite program Cottons-90. Po potrebi uporabite sredstva za odstranjevanje vodnega kamna, izdelana samo za pralne stroje.
- Med delovanjem stroja ne poskušajte vrat odpreti na silo. Vrata stroja lahko odprete 2 minuti po končanem postopku pranja. \*
- Med delovanjem stroja ne poskušajte vrat odpreti na silo. Vrata se odprejo takoj po končanem ciklu pranja. \*
- Postopke namestitve in popravila mora vedno izvajati pooblaščen serviser, da se izognete morebitnim tveganjem. Proizvajalec ne odgovarja za škodo, ki bi lahko nastala zaradi postopkov, ki jih izvajajo nepooblaščen osebe.

(\*) Specifikacije stroja se lahko razlikujejo glede na kupljen izdelek.

# 7. ČIŠČENJE IN VZDRŽEVANJE

## 7.1 Opozorilo



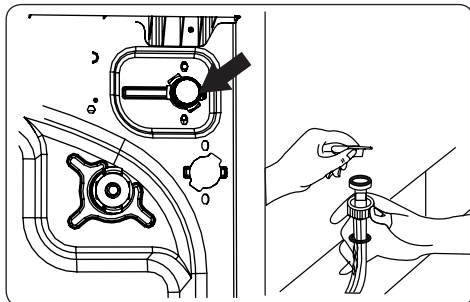
Pred vzdrževanjem in čiščenjem stroja izključite napajanje in izvlecite vtič iz vtičnice.

Pred začetkom vzdrževanja in čiščenja stroja, zaprite dovod vode.

**⚠ POZOR:** Za čiščenje pralnega stroja ne uporabljajte topil, abrazivnih čistil, čistilcev stekla ali večnamenskih čistilnih sredstev. S kemikalijami, ki jih vsebujejo, lahko poškodujejo plastične površine in druge sestavne dele.

## 7.2 Filtri za dovod vode

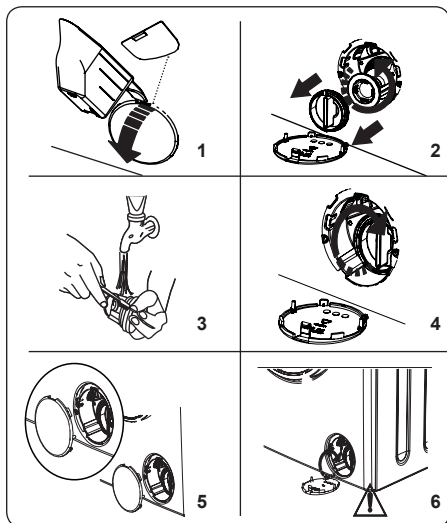
Filtri za dovod vode preprečujejo, da bi v stroj vstopili umazanija in tuji materiali. Priporočamo, da te filtre očistite, če vaš stroj ne more prejeti zadostne količine vode, čeprav je vaša oskrba z vodo vklopljena in je pipa odprta. Priporočamo, da filtre za dovod vode očistite vsaka 2 meseca.



- Odvijte cevi za dovod vode iz pralnega stroja.
- Za odstranitev filtra za dovod vode iz ventila za dovod vode, uporabite klešče z dolgim nosom, da nežno povlečete na plastično palico v filtru.
- Na koncu cevi za dovod vode je nameščen drugi filter za dovod vode. Za odstranitev drugega filtra za dovod vode iz ventila za dovod vode, uporabite klešče z dolgim nosom, da nežno povlečete na plastično palico v filtru.
- Filter temeljito očistite z mehko krtačo in sperite z milnico ter temeljito sperite. Ponovno vstavite filter tako, da ga rahlo potisnete na svoje mesto.

**⚠ POZOR:** Filtri na ventilu za dovod vode se lahko zamašijo zaradi kakovosti vode ali pomanjkanja potrebnega vzdrževanja in se lahko pokvarijo. To lahko povzroči puščanje vode. Vse takšne okvare ne spadajo v okvir garancije.

### 7.3 Filter črpalke



Sistem filtrov črpalke v vašem pralnem stroju podaljša življenjsko dobo črpalke, saj preprečuje, da bi vlakni iz tkanine vstopili v vaš stroj. Priporočamo, da filter črpalke čistite vsaka 2 meseca.

Filter črpalke je nameščen za pokrovom v sprednjem in spodnjem desnem kotu.

Za čiščenje črpalnega filtra:

1. Če želite odpreti pokrov črpalke, lahko uporabite lopatko (\*) za pralni prašek, ki je dobavljena s strojem, ali s pripomočkom za tekoče pralno sredstvo.
  2. Konec lopatke ali pripomoček za tekoče pralno sredstvo vstavite v odprtino pokrova in rahlo pritisnite nazaj. Pokrov se odpre.
- Preden odprete pokrov filtra, postavite posodo pod pokrov filtra, da zberete v njem preostalo vodo.
  - Pokrov filtra razrahljate z obračanjem v nasprotni smeri urinega kazalca in odstranite s potegom. Počakajte, da voda odteče.

**OPOMBA:** Glede na količino vode v stroju, boste morda morali večkrat izprazniti posodo za zbiranje vode.

3. S filtra odstranite vse tuje materiale z mehko krtačo.

4. Po čiščenju filter ponovno namestite tako, da ga vstavite in zavrtite v smeri urinega kazalca.
5. Med zapiranjem pokrova črpalke preverite, da se vsi deli znotraj pokrova ujemajo z luknjami na sprednji plošči.
6. Zaprite pokrov filtra.

**⚠ OPOZORILO:** Voda v črpalci je lahko vroča, počakajte, da se ohladi, preden opravite čiščenje ali vzdrževanje.

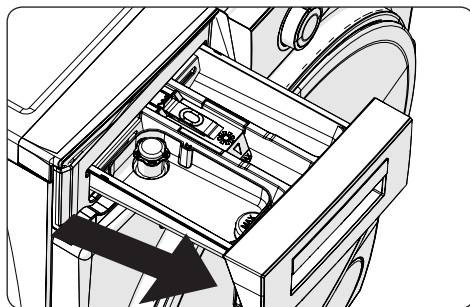
(\*) Specifikacije stroja se lahko razlikujejo glede na kupljen izdelek.

### 7.4 Predal za pralno sredstvo

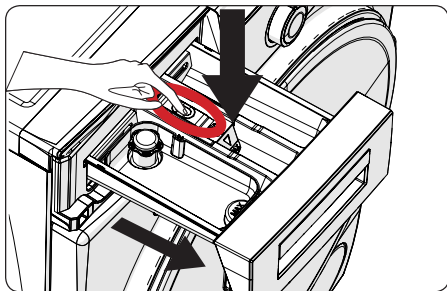
Uporaba detergenta lahko sčasoma povzroči nabiranje ostankov v predalu za detergent. Priporočamo, da predal odstranite vsaka 2 meseca, da očistite nakopičene ostanke.

Če želite odstraniti predal za detergent:

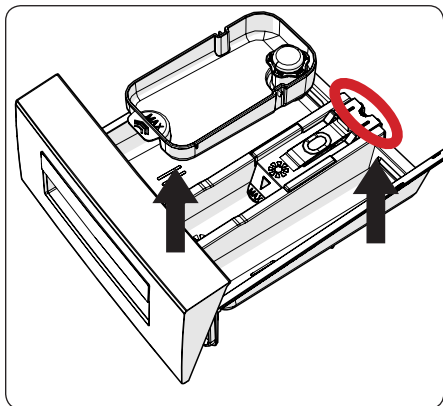
- Predal povlecite naprej, dokler se popolnoma ne iztegne.



- Pritisnite spodaj prikazano območje znotraj predala detergenta, ki ste ga povlekli do konca nazaj, in nadaljujte z vlečenjem in odstranite predal za detergent s svojega mesta



- Odstranite predal za detergent in razstavite zamašek za izpiranje. Temeljito očistite, da v celoti odstranite ostanke mehčalca. Po čiščenju ponovno namestite zamašek za izpiranje in preverite, da je pravilno nameščen.



- Sperite s krtačo in veliko količino vode.
- Zberite ostanke znotraj reže predala za pralno sredstvo, da ne padejo v stroj.
- Posušite predal za pralno sredstvo z brisačo ali suho krpo ter ga namestite nazaj.

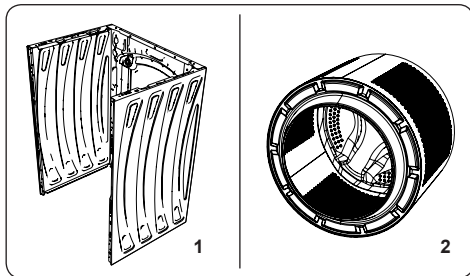
**!** Predal pralnega sredstva ne pomivajte v pomivalnem stroju.

#### Tekoči čistilni pripomoček(\*)

Za čiščenje in vzdrževanje tekočega čistilnega pripomočka odstranite napravo z mesta, kot je prikazano na spodnji sliki, in temeljito očistite preostale ostanke detergenta. Zamenjajte pripomoček. Prepričajte se, da v sifonu ne ostane nobenih ostankov materiala.

(\*) Specifikacije stroja se lahko razlikujejo glede na kupljen izdelek.

## 8. Telo / Boben



### 1. Telo

Za čiščenje zunanjega ohišja uporabite blago, neabrazivno čistilno sredstvo ali milo in vodo. Suho obrišite z mehko krpo.

### 2. Boben

V stroju ne puščajte kovinskih predmetov, kot so igle, sponke za papir, kovanci itd. Ti predmeti povzročijo nastajanje madežev rje znotraj bobna. Za čiščenje madežev rje uporabite čistilna sredstva, ki ne vsebujejo klorida, in upoštevajte opozorila proizvajalca čistilnih sredstev. Za čiščenje madežev rje ne uporabljajte žične volne ali podobnih trdih predmetov.

## 9. ODPRAVLJANJE TEŽAV

Vsa popravila, ki jih zahteva stroj, naj izvede le pooblaščen servis. Če vaš stroj zahteva popravilo ali če ne morete rešiti težave s spodnjimi informacijami, potem bi morali:

- Stroj izključite iz električnega omrežja.
- Izklopite dovod vode.

NAPAKA	MOŽEN VZROK	ODPRAVLJANJE TEŽAV
Vaš stroj se ne zažene.	Stroj ni priključen.	Priključite stroj.
	Varovalke so pokvarjene.	Zamenjajte varovalke.
	Ni omrežnega napajanja	Preverite omrežno napajanje.
	Niste pritisnili gumba za zagon/ premor.	Pritisnite gumb za zagon/premor.
	Pozicija 'stop'	Obrnite gumb za izbiro programa na želeni položaj.
Vaš stroj ne zajema vode.	Vrata stroja niso popolnoma zaprta.	Zaprte vrata stroja.
	Vodna pipa je izklopljena.	Vklopite pipo
	Dovodna cev je morda zavita.	Preverite cev za dovod vode in odvijte.
	Dovodna cev je morda zamašena.	Očistite filtre dovodne cevi. (*)
	Filter črpalke je zamašen.	Očistite filter ventila za dovod vode. (*)
Vaš stroj ne izpušča vode.	Vrata stroja niso popolnoma zaprta.	Zaprte vrata stroja.
	Odtočna cev je morda zamašena ali zavita.	Preverite odtočno cev, nato pa jo očistite ali odvijte.
	Filter črpalke je zamašen.	Očistite filter črpalke. (*)
Stroj vibrira.	Perilo je preveč tesno skupaj v bobnu.	Perilo enakomerno razporedite v stroju.
	Stopala niso bila nastavljena.	Prilagodite stopala. (**)
	Tranzitni vijaki, nameščeni za prevoz, niso bili odstranjeni.	Odstranite tranzitne vijake iz stroja. (**)
	Majhna obremenitev v bobnu.	To ne prepreči delovanje stroja.
	Vaš stroj je preobremenjen s perilom ali je perilo neenakomerno razporejeno.	Ne preobremenite bobna. Perilo enakomerno razporedite po bobnu.
Premočno penjenje v predalu za pralno sredstvo.	Vaš stroj počiva na trdi podlagi.	Vašega pralnega stroja ne postavljajte na trdo podlago.
	Dodali ste prekomerno količino pralnega sredstva.	Pritisnite gumb za zagon/premor. Če želite ustaviti peno, eno žlico meščalca razredčite v 1/2 litra vode in nalijte v predal za detergente. Po 5-10 minutah pritisnite gumb za zagon/premor.
Nezadovoljiv rezultat pranja.	Uporabili ste napačno pralno sredstvo.	Uporabite pralna sredstva, ki so izdelana za samodejne pralne stroje.
	Vaše pranje je preveč umazano za izbrani program.	S pomočjo informacij v programskih tabelah izberite najprimernejši program.
	Dodali ste nezadostno količino pralnega sredstva.	Uporabite količino detergenta, kot je navedeno na embalaži.
	V vašem stroju je preveč perila.	Prepričajte se, da največja kapaciteta izbranega programa ni presežena.

NAPAKA	MOŽEN VZROK	ODPRAVLJANJE TEŽAV
Nezadovoljiv rezultat pranja.	Trda voda.	Povečajte količino detergenta v skladu z navodili proizvajalca.
	Perilo je preveč tesno skupaj v bobnu.	Preverite, ali je vaše perilo razporejeno.
Takoj, ko je stroj napolnjen z vodo, se voda izprazni.	Konec cevi za odtok vode je prenizek za stroj.	Preverite, ali je odtočna cev na primerni višini (**).
Med pranjem se v bobnu ne pojavi voda.	Ni napake. Voda je v nevidnem delu bobna.	.....
Perilo ima na sebi ostanke pralnega sredstva.	Netopni delci nekaterih pralnih sredstev se lahko primejo na perilo kot beli madeži.	Naredite dodatno izpiranje ali očistite perilo s čopičem, potem ko se posuši.
Na perilu se pojavijo sive lise.	Na vašem perilu je neobdelano olje, smetana ali mazilo.	Pri naslednjem pranju uporabite količino detergenta, kot je navedeno na embalaži.
Ciklus centrifugiranja ne poteka ali pa poteka kasneje, kot je bilo pričakovano.	Ni napake. Sistem za nadzor neenakomerne obremenitve je aktiviran.	Sistem za nadzor neenakomerne obremenitve bo poskušal enakomerno razporediti perilo. Centrifugiranje se začne, ko je perilo enakomerno razporejeno. Za naslednje pranje enakomerno napolnite boben.

(\* Glejte poglavje, ki se nanaša na vzdrževanje in čiščenje stroja.

(\*\*) Glej poglavje o namestitvi vašega stroja.

## 10. SAMODEJNA OPOZORILA O NAPAKAH IN KAJ NAREDITI

Vaš sušilni stroj je opremljen z vgrajenim sistemom za odkrivanje napak, ki ga označuje kombinacija utripajočih luči. Spodaj so prikazane najpogostejše kode napak.

KODA TEŽAVE	MOŽNA NAPAKA	KAJ NAREDITI
E01	Vrata vašega stroja niso pravilno zaprta.	Zaprte vrata, dokler ne slišite klika. Če vas stroj še naprej opozarja na napako, izklopite stroj, ga izklopite iz napajanja in se obrnite na najbližji pooblaščen servis.
E02	Tlak ali raven vode v notranjosti stroja sta nizka.	Preverite, ali je pipa v celoti vklopljena. Glavno vodovodno omrežje je morda prekinjeno. Če se težava ponavlja, se stroj samodejno ugasne čez čas. Izklopite stroj iz napajanja, zaprite pipo in se obrnite na najbližji pooblaščen servis.
E03	Črpalka je poškodovana, filter črpalke je zamašen ali električna povezava črpalke je v okvari.	Očistite filter črpalke. Če se težava ponavlja, se obrnite na najbližji pooblaščen servis. (*)
E04	V stroju je prekomerna količina vode.	Vaš stroj bo izpustil vodo sam. Ko voda odteče, izklopite stroj in ga izklopite iz vtičnice. Zaprite pipo in se obrnite na najbližji pooblaščen servis.

(\*) Glejte poglavje, ki se nanaša na vzdrževanje in čiščenje stroja.





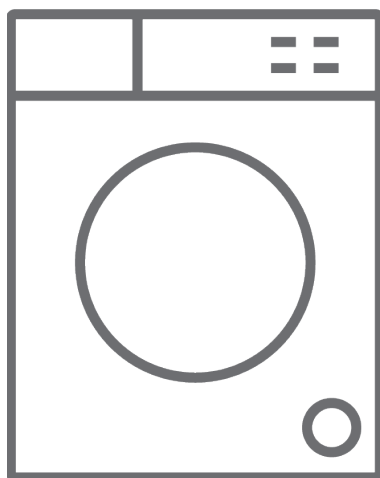


<https://www.voxelectronics.com>  
[callcenter@voxelectronics.com](mailto:callcenter@voxelectronics.com)





HR Perilica rublja / Korisnički priručnik



WM1495-YT1QD

## Hvala vam što ste odabrali ovaj proizvod.

Ovaj korisnički priručnik sadrži važne informacije o sigurnosti te upute o radu i održavanju vašeg uređaja.

Prije korištenja uređaja odvojite vrijeme da biste pročitali ovaj priručnik i sačuvajte ga za buduće korištenje.

Ikona	Vrsta	Značenje
	<b>UPOZORENJE</b>	Rizik od opasne ozljede ili smrti
	<b>RIZIK OD STRUJNOG UDARA</b>	Rizik od opasnog napona
	<b>POŽAR</b>	Upozorenje; Rizik od požara / zapaljivi materijali
	<b>OPREZ</b>	Rizik od ozljede ili oštećenja imovine.
	<b>VAŽNO / NAPOMENA</b>	Ispravan rad sustava

# SADRŽAJ

<b>1. SIGURNOSNE UPUTE</b> .....	<b>1</b>
1.1 Općenita Sigurnosna upozorenja .....	2
1.2 Tijekom uporabe .....	6
1.3 Pakiranje i okoliš.....	7
1.4 Informacije o uštedi .....	7
<b>2. TEHNIČKE SPECIFIKACIJE</b> .....	<b>9</b>
2.1 Opći izgled .....	9
2.2 Tehničke specifikacije .....	9
<b>3. INSTALACIJA</b> .....	<b>10</b>
3.1 Skidanje transportnih vijaka.....	10
3.2 Podešavanje postolja / Podešavanje prilagodljivih kočnica .....	10
3.3 Strujni priključak .....	10
3.4 Priključak crijeva za dovod vode .....	11
3.5 Priključak za odvod vode.....	12
<b>4. PREGLED UPRAVLJAČKE PLOČE</b> .....	<b>12</b>
4.1 Ladica za deterdžent .....	12
4.2 Odjeljci .....	13
4.3 Programski gumb .....	13
4.4 Elektronički zaslon.....	13
<b>5. UPORABA VAŠE PERILICE RUBLJA</b> .....	<b>14</b>
5.1 Priprema vašeg rublja.....	14
5.2 Stavljanje rublja u perilicu.....	14
5.3 Dodavanje deterdženta u perilicu .....	15
5.4 Rukovanje perilicom .....	15
5.5 Odabir programa .....	15
5.6 Sustav za automatsko prepoznavanje pola punjenja .....	16
5.7 Dodatne funkcije .....	16
5.8 Zaštita od djece .....	18
5.9 Prekidanje programa .....	18
5.10 Kraj programa.....	19
<b>6. TABLICA PROGRAMA</b> .....	<b>20</b>
6.1 Informacije o sigurnosti.....	23
<b>7. ČIŠĆENJE I ODRŽAVANJE</b> .....	<b>24</b>
7.1 Upozorenje .....	24
7.2 Filtri dovoda vode .....	24
7.3 Filtar pumpe.....	25
7.4 Ladica za deterdžent .....	25
<b>8. Tijelo / Doboš</b> .....	<b>26</b>
<b>9. OTKLANJANJE POTEŠKOĆA</b> .....	<b>27</b>
<b>10. AUTOMATSKA UPOZORENJA O POGREŠKAMA I ŠTO RADITI</b> .....	<b>28</b>

# 1. SIGURNOSNE UPUTE

Radni napon / frekvencija	(220-240) V~/50Hz
Ukupna struja (A)	10
Pritisak vode (mpa)	Maksimalno 1 Mpa / Minimalno 0. 1Mpa
Ukupna snaga (W)	2200
Maksimalna količina rublja (suhog) (kg)	9

- Nemojte postaviti stroj na tepih ili tlo koje može spriječiti ventilaciju baze.
- Aparat nije namijenjen za uporabu osobama (uključujući djecu) sa smanjenim fizičkim, osjetljivim ili mentalnim sposobnostima ili nedostatkom iskustva i znanja, osim ako su pod nadzorom ili ako su upućeni o uporabi uređaja od strane osobe odgovorne za njihovu sigurnost.
- Djecu mlađu od 3 godine treba držati dalje od uređaja ako nisu pod stalnim nadzorom.
- Ako dođe do kvara kabela za napajanje, nazovite najbliži ovlašteni servis radi zamjene.
- Koristite jedino novo ulazno crijevo za vodu koje dolazi s vašom perilicom pri spajanju ulaznog crijeva za vodu s perilicom. Nikada ne koristite stara, korištena ili oštećena ulazna crijeva za vodu.
- Djeca se ne smiju igrati s aparatom. Čišćenje i održavanje ne smiju obavljati djeca bez nadzora.

**NAPOMENA:** Za mekanu kopiju ovog Korisničkog priručnika, molimo kontaktirajte sljedeću adresu: „washingmachine@standardtest.info“. U vašem e-mailu, molimo pošaljite naziv modela i serijski broj (20 cifara) koji možete naći na vratima uređaja:

**Pažljivo pročitajte ovaj Korisnički priručnik.**



**Vaša perilica je jedino za uporabu u kućanstvu. Uporabom perilice u profesionalne (komercijalne) svrhe gubite prava na jamstvo.**

**Ovaj priručnik je pripremljen za više od jednog modela tako da vaš uređaj možda nema neke značajke opisane u njemu. Iz tih razloga, važno je obratiti pozornost na sve značajke prigodom čitanja priručnika o uporabi.**


## **1.1 Općenita Sigurnosna upozorenja**

- Temperatura okoline koja je potrebna za rad vaše perilice rublja je 15-25°.
- Pri temperaturi ispod 0 °C, crijeva se mogu pokidati ili elektronička kartica možda neće ispravno raditi.
- Molimo uvjerite se da u odjeći stavljenoj u vašu Perilicu rublja nema stranih predmeta kao čavli, igle, upaljači i novčići.
- **Preporučano je da pri prvom pranju odaberete Program pranja pamuka na 90° bez rublja te u odjeljak II ladice za deterdžent sipate do pola odgovarajući deterdžent.**

- Mogu se izgraditi ostaci na deterdžentu i omekšivačima izloženim zraku na dulje vremensko razdoblje. Jedino stavljajte omekšivač ili deterdžent u ladicu na početku svakog pranja.
- Isključite iz struje Perilicu rublja te isključite opskrbu vodom ako je Perilica rublja ostavljena duže vrijeme van uporabe. Također preporučamo ostaviti vrata otvorenim da bi se spriječilo stvaranje vlage unutar Perilice rublja.
- U vašoj Perilici rublja mogu se nalaziti ostaci vode kao rezultat provjera kvalitete tijekom proizvodnje. Ovo ne utječe na rad vaše Perilice.
- Pakiranje perilice može biti opasno po djecu. Ne dopuštajte djeci da se igraju s pakiranjem ili s malim dijelovima iz Perilice rublja.
- Držite ambalažne materijale izvan dosega djece ili ih zbrinite na odgovarajući način.
- Programe pretpranja upotrebljavajte samo za vrlo zaprljano rublje.

 Nikada ne otvarajte ladicu za deterdžent dok perilica radi.

- U slučaju kvara isključite perilicu iz napajanja te isključite snabdijevanje vode. Ne pokušavajte raditi bilo kakve popravke. Uvijek se obratite ovlaštenom serviseru.
- Nemojte prekoračiti maksimalno punjenje za odabrani program pranja.

 Nikada ne otvarajte na silu vrata dok Perilica rublja radi.

- Rublje koje perete koje sadržava brašno može oštetiti vašu perilicu.



- Molimo slijedite upute proizvođača glede uporabe regeneratora tkanine ili bilo kojih sličnih proizvoda koje namjeravate koristiti u vašoj Perilici rublja.
- Uvjerite se da se vrata vaše Perilice rublja mogu širom otvoriti bez ograničenja.

Postavite vašu perilicu na mjesto gdje se može potpuno ventilirati najbolje na mjesto koje ima konstantnu cirkulaciju zraka.

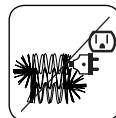
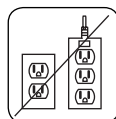
**⚠️ Pročitajte ova upozorenja. Slijedite savjete date za vašu osobnu zaštitu te zaštitu drugih od rizika od fatalnih ozljeda.**

## **RIZIK OD POŽARA**

**⚠️** Nemojte doticati odvodno crijevo ili bilo kakvu ispražnjenu vodu dok vaša Perilica rublja radi. Visoke temperature uključuju dovođenje u nepriliku rizikom od požara.

## **⚠️⚡ RIZIK OD SMRTI USLIJED ELEKTRIČNE STRUJE**

- Nemojte priključivati vašu Perilicu rublja na strujno napajanje uporabom produžnih kabela.
- Nemojte umetati oštećeni utikač u utičnicu.
- Nikada nemojte vaditi utikač iz utičnice povlačenjem kabela. Uvijek držite utikač.
- Nikada ne dodirujte strujni kabel/utikač vlažnim rukama jer to može prouzročiti kratak spoj ili strujni udar.
- Ne dodirujte vašu Perilicu rublja ako su vam ruke ili noge vlažni.
- Oštećen kabel napajanja ili utikač mogu izazvati požar ili strujni udar. Kada su



oštećeni, potrebno ih je zamijeniti, a to može učiniti samo kvalificirano osoblje.

### **Rizik od poplave**

- Provjerite brzinu protoka vode prije stavljanja odvodnog crijeva u slivnik.
- Poduzmite potrebne mjere za zaštitu crijeva od proklizavanja.
- Protok vode može pomjeriti crijevo ako nije propisno osigurano. Uvjerite se da čep vašeg slivnika ne blokira otvor čepa.

### **Opasnost od požara**

- Nemojte držati zapaljive tekućine blizu vaše perilice.
- Sumporni sadržaji odstranjivača boje mogu prouzročiti koroziju. Nikada ne koristite materijale za odstranjivanje boje u vašoj perilici.
- Nikada ne koristite proizvode koji sadrže otapala u vašoj perilici.
- Molimo uvjerite se da u odjeći stavljenoj u vašu Perilicu rublja nema stranih predmeta kao čavli, igle, upaljači i novčići.

### **Rizik od požara i eksplozije**

#### **Rizik od padanja i ozljeđivanja**

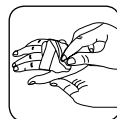
- Nemojte se penjati na vašu perilicu rublja
- Uvjerite se da crijeva i kabeli ne prouzroče opasnost od zaplitanja.
- Nemojte okretati vašu Perilicu rublja naopako ili na njenu stranu.
- Nemojte podizati vašu perilicu rublja korištenjem vrata ili ladice za deterdžent.

**⚠ Perilicu moraju nositi najmanje 2 osobe.**



**⚠ Sigurnost djece**

- U blizini uređaja nemojte ostavljati djecu bez nadzora. Djeca se mogu zaključati unutar uređaja, a posljedica može biti rizik od smrti.
- Nemojte dopustiti da djeca dodiruju staklena vrata tijekom rada uređaja. Površina se iznimno zagrije te može izazvati oštećenje kože.
- Materijal pakiranja držite podalje od djece.
- Ako se deterdžent ili materijali za čišćenje progutaju ili dođu u dodir s kožom ili očima, može doći do trovanja ili iritacije. Materijale za čišćenje držite izvan dohvata djece.




## **1.2 Tijekom uporabe**

- Kućne ljubimce držite podalje od vaše perilice.
- Molimo provjerite ambalažu perilice prije nego što je postavite i provjerite vanjske površine nakon otvaranja ambalaže. Nemojte koristiti perilicu ako je oštećena ili ako je pakiranje bilo otvoreno.
- Vašu perilicu mora instalirati jedino ovlaštenu servisera. Instaliranje od bilo koga osim ovlaštenog servisera može izazvati poništenje vašeg jamstva.
- Ovim se uređajem mogu koristiti djeca starija od 8 godina i osobe sa smanjenim fizičkim, osjetilnim ili mentalnim sposobnostima ili nedostatkom iskustva i znanja ako su pod nadzorom ili ako su upućeni u korištenje uređaja na siguran način te razumiju moguće opasnosti. Djeca se ne smiju

igrati s aparatom. Čišćenje i održavanje ne smiju obavljati djeca bez nadzora.

- Ovu perilicu upotrijebite isključivo za pranje određenih vrsta rublja koje je proizvođač naveo kao prikladne:
- **Prije uporabe perilice rublja, odstranite 4 sigurnosna vijka koji se upotrebljavaju u svrhe prijevoza i gumene razmaknice na stražnjoj strani perilice. Ako ne skinete vijke mogu izazvati teške vibracije, buku i neispravnost perilice te poništenje jamstva.**
- Vaše jamstvo ne pokriva štetu izazvanu vanjskim čimbenicima kao što su požar, poplava i drugi izvori štete.
- Molimo ne bacajte ove upute za uporabu; sačuvajte ih za buduću uporabu i prepuštanje narednom vlasniku.

 **NAPOMENA:** Specifikacije perilice mogu se razlikovati ovisno o kupljenom proizvodu.

## 1.3 Pakiranje i okoliš

### Uklanjanje materijala pakiranja

Materijali pakiranja štite vašu perilicu od bilo kakvih oštećenja koja se mogu javiti tijekom transporta. Materijali pakiranja su pogodni za okoliš budući da su reciklirajući. Korištenje recikliranih materijala smanjuje uporabu sirovih materijala te smanjuje stvaranje otpada.

## 1.4 Informacije o uštedi

Neke važne informacije za dobivanje najučinkovitije uporabe vaše perilice.

- Nemojte prekoračiti maksimalno punjenje za odabrani program pranja. Ovo će omogućiti vašoj perilici funkcioniranje u načinu rada uštede energije.
- Nemojte koristiti značajku pretpranja za blago zaprljano rublje. Ovo će vam pomoći uštedjeti količinu energije i potrošnju vode.

### **CE Objava o usklađenosti**

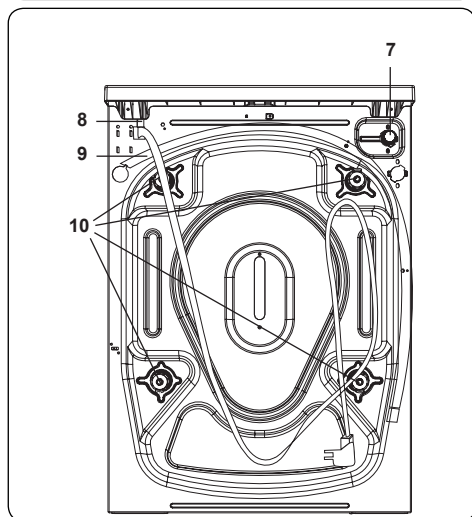
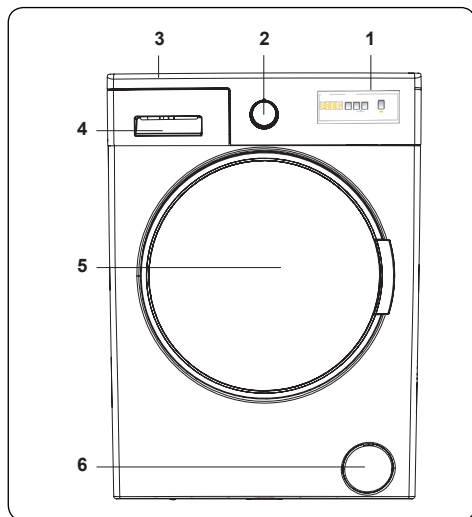
Objavljujemo da naši proizvodi zadovoljavaju primjenjive europske direktive, odredbe i propise te zahtjeve navedene u spomenutim standardima.

### **Zbrinjavanje stare perilice**



Simbol na proizvodu ili njegovom pakiranju ukazuje da se proizvod ne može tretirati kao kućni otpad. Umjesto toga treba ga predati sabirnoj točki za recikliranje električne i elektroničke opreme. Osiguravanjem da je proizvod pravilno odložen, pomažete preveniranje negativnih posljedica po okoliš i ljudsko zdravlje, koje se u suprotnom mogu izazvati neprikladnim rukovanjem otpadom ovog proizvoda. Za više informacija o recikliranju ovog proizvoda, molimo kontaktirajte lokalni gradski ured, vaš servis za odlaganje kućnog otpada ili dućan gdje ste kupili proizvod.

## 2. TEHNIČKE SPECIFIKACIJE



### 2.1 Opći izgled

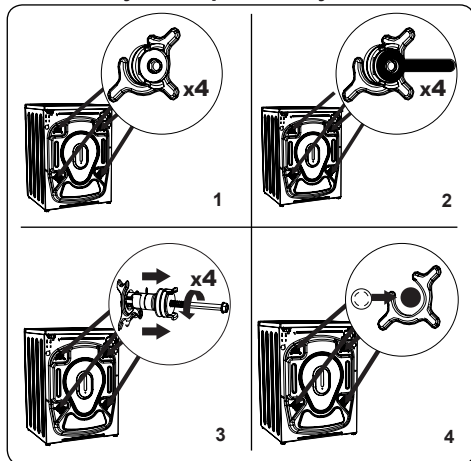
1. Elektronički zaslon
2. Programski gumb
3. Gornja ladica
4. Ladica za deterdžent
5. Doboš
6. Poklopac filtra pumpe
7. Zasun dovoda vode
8. Strujni kabel
9. Crijevo za odvod vode
10. Transportni vijci

### 2.2 Tehničke specifikacije

Radni napon / frekvencija (V/Hz)	(220-240) V~/50Hz
Ukupna struja (A)	10
Pritisak vode (mpa)	Maksimalni: 1 Mpa Minimalni: 0.1 Mpa
Ukupna snaga (W)	2200
Maksimalni kapacitet prihvata suhog rublja (kg)	9
Brzina okretaja doboša (okr / min)	1400
Broj programa	15
Dimenzije (mm)	
Visina	845
Širina	597
Dubina	582

### 3. INSTALACIJA

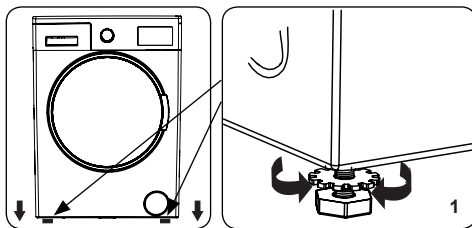
#### 3.1 Skidanje transportnih vijaka



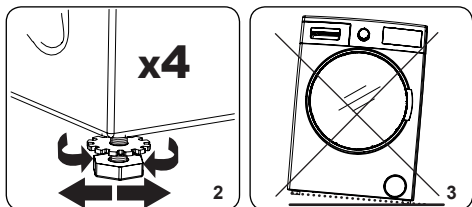
1. Prije uporabe perilice rublja, odstranite 4 sigurnosna vijka koji se upotrebljavaju u svrhe prijevoza i gumene razmaknice na stražnjoj strani perilice. Ako ne skinete vijke mogu izazvati teške vibracije, buku i neispravnost perilice te poništenje jamstva.
2. Odstegnite transportne vijke okretanjem suprotno smjeru kazaljke na satu odgovarajućim odvijačem.
3. Skinite transportne vijke ravnim povlačenjem.
4. Postavite plastične zatamnjujuće poklopce iz vreće za pribor u praznine na mjestu odvađenih transportnih vijaka. Transportni vijci se trebaju čuvati za narednu uporabu.

**⚠ NAPOMENA:** Skinite transportne vijke prije prve uporabe perilice. Mane koje se pojavljuju uslijed uporabe perilice s transportnim vijcima se izvan opsega jamstva.

#### 3.2 Podešavanje postolja / Podešavanje prilagodljivih kočnica

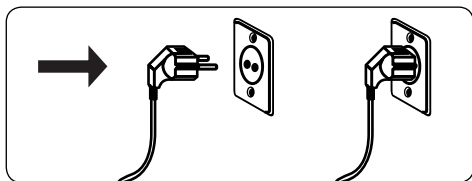


1. Ne instalirajte vašu perilicu na površine (kao tepih) koje će spriječiti ventiliranje baze.
  - Da biste osigurali tihi rad vaše perilice te rad bez vibriranja instalirajte je na tvrdi površinu.
  - Možete podesiti razinu vaše perilice korištenjem prilagodljivog postolja.
  - Odstegnite plastični navrtanj za zaključavanje.



2. Za podizanje visine perilice, okrenite postolje u smjeru kazaljke na satu. Za smanjenje visine perilice, okrenite postolje u smjeru suprotnom od kazaljke na satu.
  - Kada je perilica na željenoj razini, pričvrstite navrtnje za zaključavanje njihovim okretanjem u smjeru kazaljke na satu.
3. Nikada ne umećite karton, drvo ili druge slične materijale za podešenje razine perilice.
  - Pri čišćenju poda gdje je smještena perilica, pazite da ne poremetite razinu perilice.

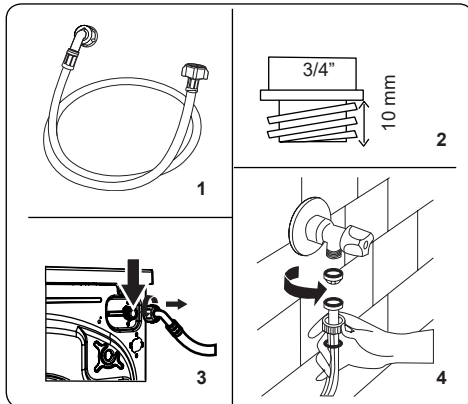
#### 3.3 Strujni priključak



- Vaša Perilica rublja iziskuje strujno napajanje od 220-240V, 50
- Napojni kabel vaše perilice je opremljen utikačem s uzemljenjem. Ovaj utikač treba uvijek biti umetnut u utičnicu uzemljenjem od 10 amp.
- Ako nemate podesnu utičnicu i osigurač u skladu s ovime, molimo uvjerite se da je rad obavljen od kvalificiranog električara.
- Ne preuzimamo odgovornost za štetu koja se javi uslijed uporabe opreme bez uzemljenja.

**⚠ NAPOMENA:** Korištenje vaše perilice s niskim naponom će izazvati smanjenje životnog ciklusa vaše perilici i ograničenu uporabu.

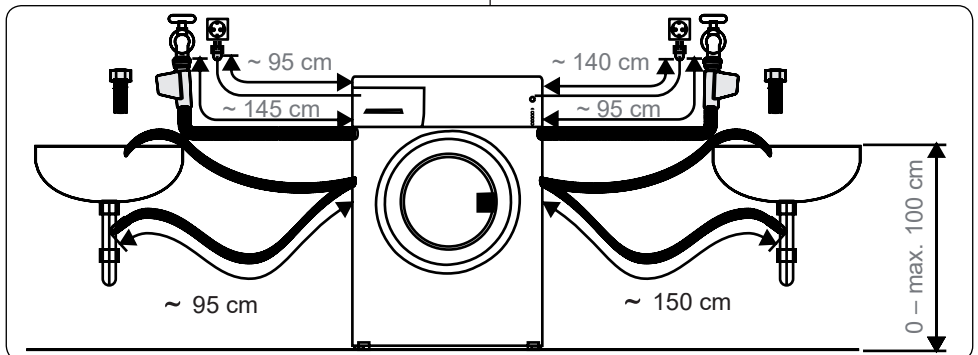
### 3.4 Priključak crijeva za dovod vode



1. Vaša perilica može imati ili jedinični priključak crijeva za dovod vode (hladne) ili dvostruki priključak crijeva za

dovod vode (vruća i hladna) ovisno od specifikacija perilice. Crijevo s bijelom kapicom treba pripojiti na priključak za hladnu vodu i crijevo s crvenom kapicom na priključak za vruću vodu (ako je prisutan):

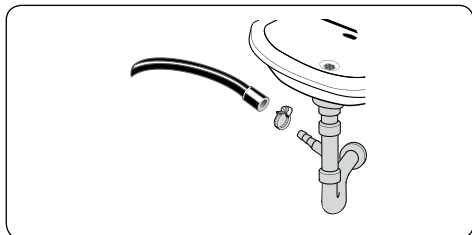
- Za sprječavanje curenja vode na spojevima, opskrbljena su 1 ili 2 navrtnja u pakiranju s crijevom (ovisno od specifikacija vaše perilice). Pričvrstite ove navrtnje na kraj(eve) priključka crijeva za dovod vode koji se priključuje na opskrbu vodom.
2. Priključite nove priključke crijeva za dovod vode na slavinu s navojem od  $\frac{3}{4}$  ".
    - Priključite kraj priključka crijeva za dovod vode s bijelim poklopcem na bijeli zasun za dovod vode sa stražnje strane perilice i kraj crijeva s crvenim poklopcem na crveni zasun za dovod vode (ako je prisutan).
    - Ručni pričvrstite priključke. Ako imate bilo kakvih dvojbi, kontaktirajte vodoinstalatera.
  3. Protok vode s pritiskom od 0. 1-1 mpa će omogućiti vašoj perilici da radi uz optimalnu učinkovitost (pritisak od 0. 1 ma znači da će više od 8 litara vode proticati u minuti kroz potpuno otvorenu slavinu).
  3. Čim napravite sve priključke, pažljivo pustite snabdijevanje vode i provjerite da li negdje curi.
  4. Uvjerite se da novi priključci crijeva za dovod vode nisu zaklopljena, zapetljana, uvrnuta ili skrhana.
    - Ako vaša perilica ima priključak crijeva za dovod tople vode, temperatura vruće vode ne treba biti veća od 70°C.





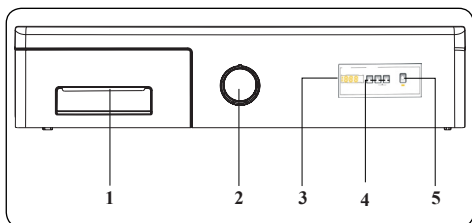
**NAPOMENA:** Vaša perilica rublja mora jedino biti priključena na vaše snabdijevanje vodom korištenjem opskrbljenog novog punjenja crijeva. Stara crijeva ne smijete ponovno koristiti.

### 3.5 Priključak za odvod vode



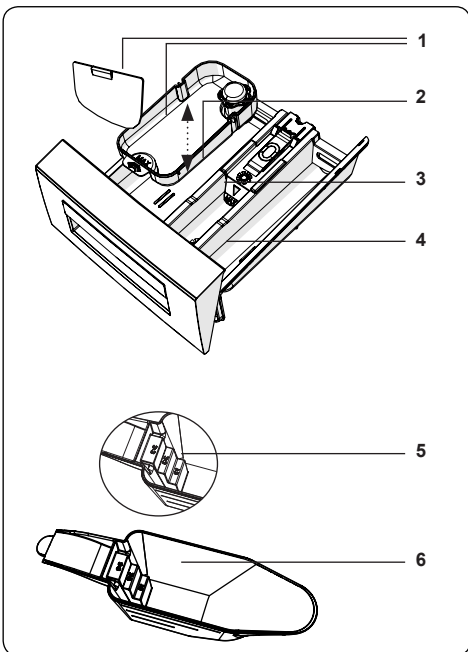
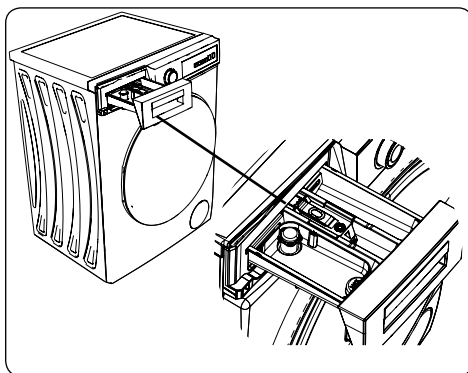
- Priključite crijevo za odvod vode na statičnu slavinu ili na ispusno koljeno kućnog slivnika, korištenjem dodatne opreme.
- Nikada nemojte pokušavati produljiti crijevo za odvod vode.
- Nemojte stavljati crijevo za odvod vode vaše perlice u kontejner, kantu ili kadu.
- Uvjerite se da crijevo za odvod vode nije uvijeno, zamršeno, skrhamo ili produljeno.
- Crijevo za odvod vode mora biti instalirano na najvišoj visini od 100 cm od poda.

## 4. PREGLED UPRAVLJAČKE PLOČE



1. Ladica za deterdžent
2. Programski gumb
3. Elektronički zaslon

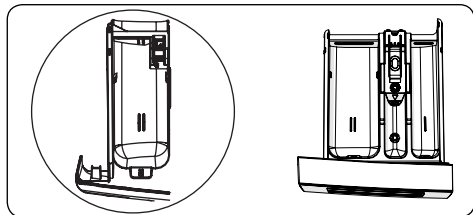
### 4.1 Ladica za deterdžent



1. Privici za tekući deterdžent
  2. Odjeljak deterdženta za glavno pranje
  3. Odjeljak za omekšivač
  4. Odjeljak deterdženta za pretpranje
  5. Razine praškastog deterdženta
  6. Merica za praškasti deterdžent (\*)
- (\*)Specifikacije perlice mogu se razlikovati ovisno o kupljenom proizvodu.

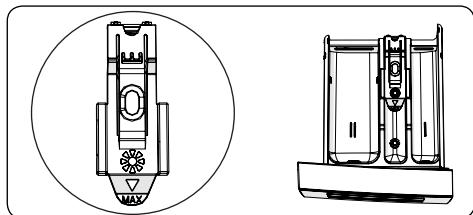
## 4.2 Odjeljci

### Odjeljak deterdženta za glavno pranje:



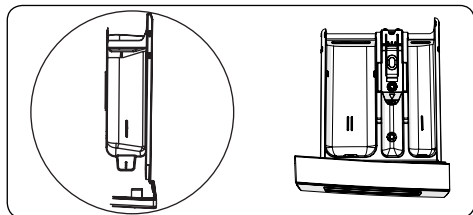
Ovaj odjeljak je za tekuće ili praškaste deterdžente ili odstranjivače kamena. Ploča s razinama tekućeg deterdženta bit će opskrbljena unutar vaše perilice. (\*)

### Odjeljak za regeneratore tkanine, štirku, deterdžent:



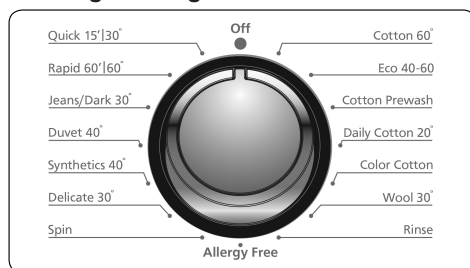
Ovaj odjeljak je za omekšivače, regeneratore ili štirku. Slijedite upute na pakiranju. Ako omekšivači ostavljaju ostatak nakon uporabe, probajte ih razrijediti korištenjem tekućeg omekšivača.

### Odjeljak deterdženta za pretpranje:



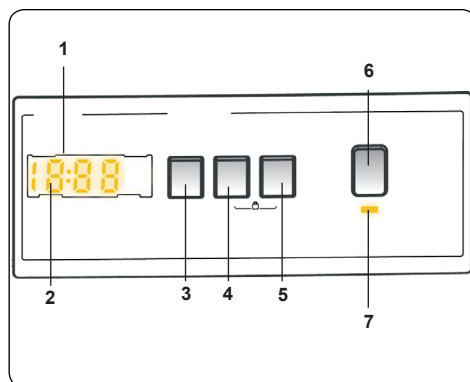
Ovaj odjeljak trebate koristiti jedino kada je odabrana značajka pretpranja. Preporučamo korištenje značajke pretpranja samo za veoma zaprljano rublje. (\*)Specifikacije perilice mogu se razlikovati ovisno o kupljenom proizvodu.

## 4.3 Programski gumb



- Za odabir željenog programa, okrenite programski gumb u smjeru kazaljke na satu ili u smjeru suprotnom kazaljki na satu dok se oznaka na točkama za biranje programa ne podese na željeni program.
- Pobrinite se da programski gumb postavite točno na željeni program.

## 4.4 Elektronički zaslon

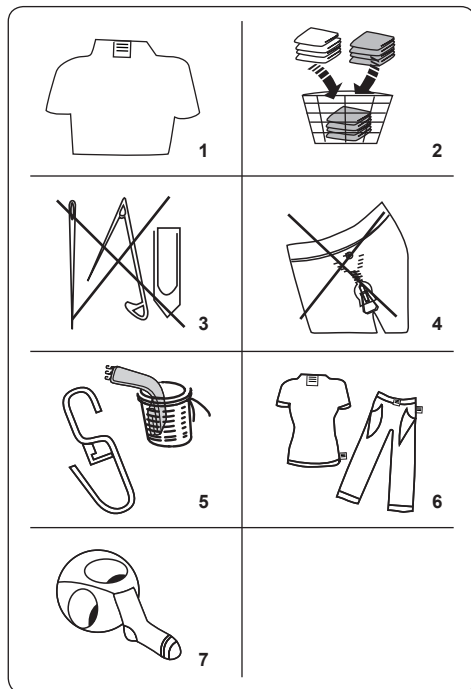


1. Elektronički zaslon
2. Digitalni zaslon
3. Tipka za podešavanje temperature vode
4. Tipka za podešavanje broja okretaja
5. Dodatna funkcijska tipka 1
6. Tipka za pokretanje / privremeno zaustavljanje
7. Svjetiljka tipke za pokretanje / privremeno zaustavljanje

Zaslonska ploča prikazuje mjerač vremena odgode pranja (ako je podešen), odabir temperature, brzinu okretaja, bilo koje odabrane dodatne funkcije. Zaslonska ploča prikazuje "Kraj" kada je odabrani program završen. Zaslonska ploča također prikazuje pojavu pogreške na vašoj perilici.

## 5. UPORABA VAŠE PERILICE RUBLJA

### 5.1 Priprema vašeg rublja



1. Slijedite upute za održavanje date na oznakama vaše odjeće.
- Sortirajte vaše rublje sukladno vrsti (pamuk, sintetika, osjetljivo rublje, vuna itd.), temperaturu pranja (hladno, 30°, 40°, 60°, 90°) i stupanj zaprljanosti (blago zaprljano, zaprljano, jako zaprljano).
2. Nikada nemojte prati obojeno i bijelo rublje skupa.
- Tamni tekstili mogu sadržati višak boje i trebate ih prati odvojeno nekoliko puta.
3. Uvjerite se da nema metalnih materijala na vašem rublju ili u džepovima, ako ih ima uklonite ih.

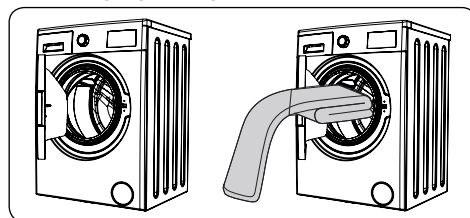
**! OPREZ:** Bilo kakvi kvarovi koji se jave uslijed stranih materijala koji oštećuju vašu perilicu nisu pokriveni jamstvom.

4. Zatvorite zipove i pritegnite bilo kakve zakačaljke i petlje.

5. Uklonite metalne ili plastične zakačaljke zavjesa ili ih stavite u mrežu ili vreću za pranje.
6. Preokrenite tekstil kao što su hlače, peltiva, majice i dukserice.
7. Perite čarape, rupčiče i druge male stvari u mreži za pranje.

 Može se izbjeljivati	 Nemojte izbjeljivati	 Normalno pranje
 Maksimalna temperatura glačanja 150°C	 Maksimalna temperatura glačanja 200°C	 Nemojte glačati
 Cn treba suho očistiti	 Nemojte suho čistiti	 Sušite ravno
 Sušenje kapanjem	 Objesite da se osuši	 Nemojte sušiti prevrtanjem
 Dopušteno je suho čišćenje plinskim uljem, čistim alkoholom i R113.	 Perkloroetilen R11, R13, Petrolej	 Perkloroetilen, R11, R13, plinsko ulje

### 5.2 Stavljanje rublja u perilicu



- Otvorite vrata vaše perilice.
- Rasporedite vaše rublje podjednako u perilici.

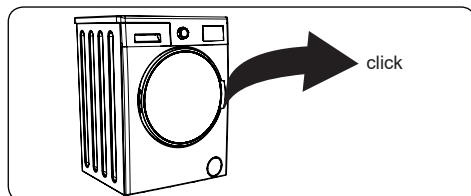
## **NAPOMENA:**

Vodite računa da ne prekoračite maksimalno punjenje doboša jer će to dati slabe rezultate pranja i izazvati gužvanje. Pogledajte tablice program pranja za informaciju o kapacitetima punjenja.

Sljedeća tablica prikazuje približne težine tipičnih vrsta rublja:

VRSTA RUBLJA	TEŽINA (g)
Ručnik	200
Posteljina	500
Bademantil	1200
Jorganski prekrivač	700
Jastučnica	200
Donje rublje	100
Stolnjak	250

- Stavite svaki komad rublja posebno.
- Provjerite da se niti jedno rublje nije zaglavilo između gume i vratiju.
- Lagano gurnite vrata dok ne kliknu da su zatvorena.



- Uvjerite se da su vrata sasvim zatvorena, u suprotnom program se neće pokrenuti.

### 5.3 Dodavanje deterdženta u perilicu

Količina deterdženta koju trebate staviti u perilicu ovisi o sljedećim kriterijima:

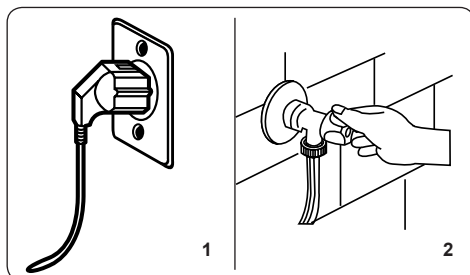
- Ako je vaša odjeća samo blago zaprljana, nemojte koristiti pretpranje. Stavite malu količinu deterdženta (kao što je specificirano od proizvođača) u odjeljak II ladice za deterdžent.
- Ako je vaša odjeća jako zaprljana, odaberite program pretpranja te stavite ¼ deterdženta koji koristite u odjeljak I ladice za deterdžent a ostatak u odjeljak II.
- Koristite deterdžente proizvedene za

automatske perilice rublja. Slijedite upute proizvođača o količini deterdženta koju koristite.

- U oblastima gdje je voda tvrda, bit će potrebno više deterdženta.
- Količina potrebnog deterdženta će se povećati ako je punjenje rubljem veće.
- Stavite omekšivač u središnji odjeljak ladice za deterdžent. Nemojte premašiti maksimalno dopuštenu razinu.
- Gusti omekšivači mogu izazvati začepljenja ladice te ih treba razrijediti.
- Moguće je koristiti tekuće deterdžente za sve programe bez pretpranja. Da biste to učinili, sklznite ploču za razinu tekućeg deterdženta (\*) u vodilje u odjeljak II ladice za deterdžent. Koristite crte na ploči kao vodič za punjenje ladice do potrebne razine.

(\*)Specifikacije perilice mogu se razlikovati ovisno o kupljenom proizvodu.

### 5.4 Rukovanje perilicom



1. Priključite vašu perilicu na napajanje strujom.
2. Uključite snabdijevanje vodom.
  - Otvorite vrata perilice.
  - Podjednako rasporedite vaše rublje u perilici.
  - Lagano gurnite vrata dok ne kliknu da su zatvorena.

### 5.5 Odabir programa

Koristite tablice programa za odabir najpodesnijeg programa za vaše rublje.

## 5.6 Sustav za automatsko prepoznavanje pola punjenja

Perilica je opremljena sustavom za automatsko prepoznavanje pola punjenja.

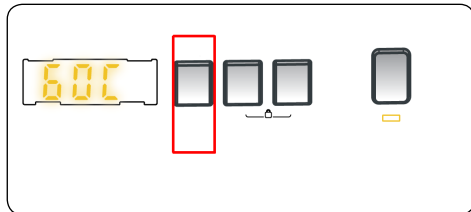
Ako stavite manje od pola od maksimalnog punjenja rublja u vašu perilicu ista će automatski podesiti funkciju pola punjenja, bez obzira na program koji ste odabrali. Ovo znači da će odabrani program oduzeti manje vremena za završetak pranja te koristiti manje vode i energije.

(\*) Ovisi o modelu perilice rublja

## 5.7 Dodatne funkcije

### 1. Odabir temperature

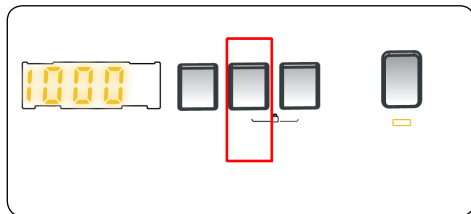
Koristite tipku za podešavanje temperature vode za mijenjanje automatski programirane temperature vode za pranje.



Kada odaberete program automatski je odabrana maksimalna temperatura za taj program. Za podešavanje temperature, pritisnite Tipku za podešavanje temperature vode dok se na digitalnom zaslonu ne prikaže željena temperatura..

Temperaturu vode za pranje možete postepeno smanjivati od maksimalne temperature do temperature hladnog pranja (- - C) pritiskom na tipku za podešavanje temperature vode.

### 2. Odabir brzine okretaja centrifuge



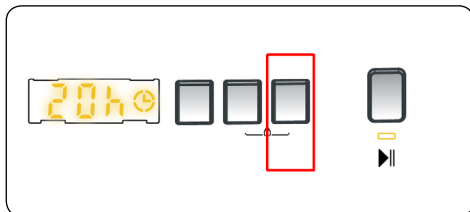
Kada odaberete program automatski je odabrana maksimalna brzina okretaja centrifuge.

Za podešavanje brzine centrifuge između maksimalne brzine centrifuge i opcije otkazivanja centrifugiranja (- -) pritisnite

tipku za brzinu centrifuge dok se ne prikaže željena brzina.

Ako ste preskočili brzinu centrifuge koju elite podesiti, nastavite pritisnati tipku za podešavanje brzine centrifuge dok se željena brzina ne prikaže ponovno.

## 3. Programator odgode pranja



Možete koristiti ovu pomoćnu funkciju za odgodu vremena početka ciklusa pranja za 1 do

23 sati.

Za uporabu funkcije odgode pranja:

- Pritisnite jednom tipku za odgodu pranja.
- Prikazat će se "01h". Na elektroničkom zaslonu prikazat će se ☹.
- Pritisnite tipku za odgodu pranja dok ne dosegnete vrijeme nakon kojeg želite da perilica počne ciklus pranja.
- Ako ste preskočili vrijeme odgode koje želite podesiti, možete nastaviti pritisnati tipku za odgodu dok ponovno ne dosegnete željeno vrijeme.
- Za uporabu funkcije odgode vremena, trebate pritisnuti tipku za Početak/pauzu da biste pokrenuli perilicu.
- Ako želite otkazati odgodu pranja:
  - Ako ste pritisnuli tipku za početak/pauzu za pokretanje perilice, trebate samo jednom pritisnuti tipku za odgodu pranja. ☹ će se isključiti na elektroničkom zaslonu.
  - Ako niste pritisnuli tipku za početak/pauzu, pritisnite tipku za odgodu te je držite dok se ☹ ne isključi na elektroničkom zaslonu. ☹ će se isključiti na elektroničkom zaslonu.



**NAPOMENA:** U slučaju da želite odabrati značajku pomoćne funkcije, ako LED svjetlo pomoćne funkcije nije


upaljeno, to znači da se ova značajka ne koristi u programu pranja koji ste odabrali.

#### 4. Antialergijsko(\*)

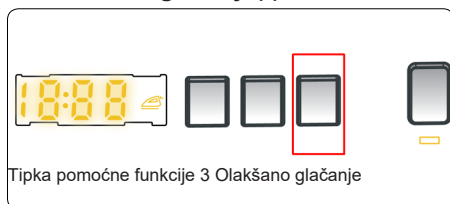


Tipka pomoćne funkcije 3 Antialergijsko

S pomoću ove dodatne funkcije možete aktivirati posebno dodatno ispiranje rublja. Vaša perilica će provesti sve korake ispiranja vrućom vodom. Preporučamo ovu postavku za rublje nošeno na delikatnoj koži, odjeću za bebe i donje rublje.


Za odabir ove funkcije, pritisnite tipku za antialergijsko pranje kada je  simbol prikazan.

#### 5. Olakšano glačanje(\*)



Tipka pomoćne funkcije 3 Olakšano glačanje

Uporaba ove funkcije će rezultirati manjim nabiranjem vašeg rublja na kraju odabranog programa pranja.


Za odabir ove funkcije, pritisnite tipku za olakšano glačanje kada je  simbol prikazan.

#### 6. Pretpranje(\*)



Tipka pomoćne funkcije 3 Pretpranje


Ova dodatna funkcija omogućuje da provedete pretpranje jako zaprljanog rublja prije početka glavnog programa pranja. Kad upotrebljavate ovu funkciju, deterdžent stavite u prednji odjeljak ladice za deterdžent koji je predviđen za pretpranje.

Za odabir ove funkcije, pritisnite tipku tipka za Pretpranje kada je  simbol prikazan.

#### 7. Dodatno ispiranje (\*)



Tipka pomoćne funkcije 3 Dodatno ispiranje

S pomoću ove dodatne funkcije možete aktivirati dodatno ispiranje rublja na kraju odabranog programa pranja. Za odabir ove funkcije, pritisnite tipku za dodatno ispiranje kada je  simbol prikazan.

#### 8. Brzo pranje(\*)




Tipka pomoćne funkcije 3 Brzo pranje

Odabirom ove dodatne funkcije možete oprati vaše rublje u kraćem vremenu uz manju potrošnju energije i vode.

Preporučamo da ovu opciju koristite samo ako perete manje od pola od maksimalnog suhog punjenja za odabrani program.

Za odabir ove funkcije, pritisnite tipku za


Brzo pranje kada je  simbol prikazan.

**OPOMENA:** Ako stavite manje od pola od maksimalnog punjenja rublja u vašu perilicu ista će automatski podesiti funkciju pola punjenja, bez obzira na program koji ste odabrali. Ovo znači da će odabrani program oduzeti manje vremena za završetak pranja te koristiti manje vode i energije. Ako perilica prepozna pola punjenja automatski će se uključiti .

(\*) Ovisi o modelu perilice rublja

## 9. Bez centrifuge(\*)




Ako ne želite provesti cijedjenje vašeg rublja, možete preskočiti ovu pomoćnu funkciju. Program možete aktivirati pritiskom na tipku za otkazivanje centrifuge na zaslonskoj ploči nakon što se uključi LED lampica  simbola.

## 10. Hladno pranje(\*)



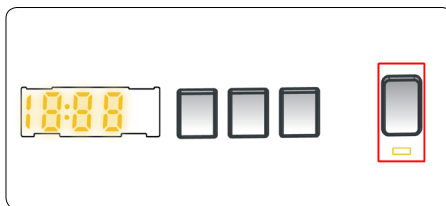
Možete koristiti ovu pomoćnu funkciju kada

želite prati rublje hladnom

vodom (vodom iz česme). Program možete aktivirati pritiskom na tipku za hladno pranje na zaslonskoj ploči nakon što se uključi LED lampica  simbola.

(\*)Specifikacije perilice mogu se razlikovati ovisno o kupljenom proizvodu.

**Pritiskom na tipku za pokretanje / privremeno zaustavljanje**

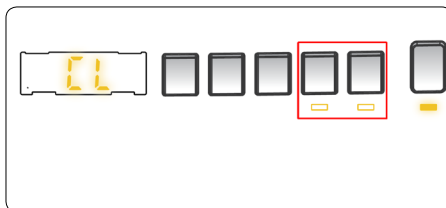


možete pokrenuti odabrani program ili privremeno zaustaviti program koji je u tijeku. Ako prebacite perilicu u stanje čekanja, na elektroničkom zaslonu zatrepit će LED lampica simbola za pokretanje / privremeno zaustavljanje.

## 5.8 Zaštita od djece

Funkcija zaštite od djece vam omogućuje zaključavanje tipki tako da se ciklus pranja koji ste odabrali ne može promijeniti nenamjerno.

Za aktiviranje zaštite od djece, pritisnite i zadržite tipku 2 i 3 istodobno 3 sekunde. „CL“ će treperiti 2 sekunde na elektroničkom zaslonu kada je zaštita od djece aktivirana.



Ako je pritisnuta bilo koja tipka ili je promijenjen odabrani program putem programskog gumba dok je zaštita od djece aktivna, „CL“ simbol će treperiti 2 sekunde na elektroničkom zaslonu.

Ako je funkcija zaštite od djece aktivna i program je u tijeku, programski gumb je okrenut u položaj CANCEL (PREKID) i odabere se drugi program, prethodno odabrani program nastavlja se od trenutka zaustavljanja.

Za deaktiviranje zaštite od djece, pritisnite i zadržite tipku 2 i 3 istodobno 3 sekunde dok se „CL“ simbol ne ugasi na elektroničkom zaslonu.

## 5.9 Prekidanje programa

### Za prekidanje programa u svako vrijeme:

1. Okrenite programski gumb u položaj STOP (zaustavljanje).
2. Vaša perilica će zaustaviti postupak pranja i program će se prekinuti.
3. Okrenite programski gumb na bilo koji program za odvod vode iz perilice.
4. Vaša perilica će izbaciti nakupljenu vodu i prekinuti program.
5. Sada možete odabrati i pokrenuti novi program.

## 5.10 Kraj programa



Perilica će se zaustaviti čim odabrani program pranja završi.

- Na elektroničkom zaslonu prikazat će se „END(„ZAVRŠENO“).
- Možete otvoriti vrata perilice i izvaditi rublje.
- Vrata perilice ostavite otvorenima kako bi se unutrašnjost perilice osušila.
- Okrenite programski gumb u položaj STOP (zaustavljanje).
- Isključite perilicu iz napajanja.
- Isključite slavinu za vodu.



## 6. TABLICA PROGRAMA

Program	Temperatura pranja (°C)	Maksimalna količina suhog rublja (kg)	Odjeljak za deterđžent	Trajanje programa (minute)	Vrsta rublja / objašnjenje
PAMUK 60°	*60-90-80-70-40	9,0	2	230	Jako zaprljano, pamučne i lanene tkanine. (Donje rublje, platno, stolnjak, ručnik (maksimalno 4,5 kg), posteljina itd.)
ECO 40-60	*40 - 60	9,0	2	228	Zaprljano, pamučne i lanene tkanine. (Donje rublje, platno, stolnjak, ručnik (maksimalno 4,5 kg), posteljina itd.)
PRETPRANJE PAMUK	*60 - 50 - 40 - 30 - "- -C"	9,0	1&2	164	Zaprljano, pamučne i lanene tkanine. (Donje rublje, platno, stolnjak, ručnik (maksimalno 4,5 kg), posteljina itd.)
SVAKODNEVNO PAMUK 20°	*20- "- -C"	4,5	2	96	Manje zaprljano, pamuk i lan. (donje rublje, plahte, stolnjak, ručnik (maksimalno 2,5 kg), posteljina itd.)
BOJENI PAMUK	*40 - 30 - "- -C"	3,5	2	222	Manje zaprljano, pamuk i lan. (donje rublje, plahte, stolnjak, ručnik (maksimalno 2,5 kg), posteljina itd.)
VUNA 30°	*30 - "- -C"	2,5	2	43	Vunena odjeća s etiketom za strojno pranje.
ISPIRANJE	** - "-C"	9,0	-	30	Osigurava dodatno ispiranje z sve vrste rublja nakon ciklusa pranja.
ANTIALERGIJSKO PRANJE	*60 - 50 - 40 - 30 - "- -C"	4,0	2	197	Rublje za bebe
CENTRIFUGA	** - "-C"	9,0	-	17	Možete koristiti ovaj program za sve vrste rublja ako želite korak dodatnog centrifuga nakon ciklusa pranja.
OSJETLJIVO 30°	*30 - "- -C"	2,5	2	90	Rublje za koje se preporučuje ručno pranje ili osjetljivo rublje.
SINTETIKA 40°	*40 - 30 - "- -C"	3,5	2	110	Jako zaprljano ili miješana sintetička odjeća. (najlonske čarape, košulje, bluze, sintetička odjeća - uključujući hlače itd.)
POPLUN 40°	*40 - 30 - "- -C"	-	2	103	Za pranje vlaknastih popuna s oznakama perivim u perilici. (maksimalno 2.5 kg)
TRAPERICE/TAMNE 30°	*30 - "- -C"	3,5	2	96	Crne i tamne stvari napravljene od pamuka, miješanog vlakna ili traperice. Perite iznutra. Traper često sadrži višak boje koja se može ispirati tijekom prvih nekoliko pranja. Perite svijetlo i tamno obojene stvari zasebno.
BRŽE 60°/60°	*60 - 50 - 40 - 30 - "- -C"	4,0	2	60	Prijave, pamučne, šarene i lanene tkanine prane na 60°C u 60 minuta.
BRZO 15°/30°	*30 - "- -C"	2,0	2	15	Za kraće vrijeme od 15 minuta možete prati slabo zaprljano rublje, pamučne, šarene i lanene tkanine.



**NAPOMENA: TRAJANJE PROGRAMA MOŽE SE RAZLIKOVATI OVISNO O KOLIČINI RUBLJA, VRSTI VODE, TEMPERATURI OKOLINE I ODABRANIM DODATNIM FUNKCIJAMA.**

**(\*) Programska temperatura vode za pranje je zadana tvornički.**

**(\*\*) Ako vaša perilica ima pomoćnu funkciju brzog pranja, možete omogućiti opciju brzog pranja na zaslonskoj ploči i punjenjem perilice s 2 kg ili manje rublja za pranje od 30 minuta.**

**(\*\*\*) Uslijed kratkog vremena pranja ovog programa, preporučamo uporabu manje količine deterdženta. Program može trajati dulje od 15 minuta ako vaša perilica prepozna neujednačeno punjenje. Vrata perilice možete otvoriti 2 minute nakon završetka pranja. (Razdoblje od 2 minute nije uključeno u trajanje programa).**

**Sukladno regulativi 1015/2010 i 1061/2010, program 1 i program 2 se odnose na 'Standardni program pamuk 60°C' i 'Standardni program pamuk 40°C'.**

**Eco 40-60 program omogućuje čišćenje normalno zaprljanog pamučnog rublja označenog za pranje na 40°C ili 60°C, skupa u istom ciklusu, te da se ovaj program koristi radi usklađivanja sa zakonodavstvom EU o eko-dizajnu.**

- Najučinkovitiji programi u smislu uštede energije su općenito oni koji se provode na nižim temperaturama i duljim trajanjem.
- Punjenje perilice rublja za kućanstvo do kapaciteta predviđenog od proizvođača za odgovarajuće programe će doprinijeti uštedi energije i vode.
- Vrijednosti trajanja programa, potrošnje energije i potrošnje vode mogu varirati sukladno težini i vrsti punjenja za pranje, odabranih dodatnih funkcija, vode iz slavine i temperature okoline.
- Preporučano je koristiti tekući deterđžent za programe pranja na niskoj temperaturi. Količina deterđženta koja se koristi može varirati ovisno o količini rublja i razini zaprljanosti rublja. Molimo slijedite preporuke proizvođača o deterđžentu za količinu deterđženta koju koristite.
- Buka i sadržaj preostale vlage su pod utjecajem brzine centrifuge. Viša brzina centrifuge u fazi centrifugiranja, viša buka i niži sadržaj preostale vlage.
- Možete pristupiti bazi podataka proizvođača gdje su pohranjene informacije o modelu čitanjem QR koda na energetske oznaci.

Naziv programa	Procijenjen kapacitet kg	Potrošnja energije kWh/ciklus			Trajanje programa Sati: Minuta			Potrošnja vode Litara / Ciklusa			Maks. Temperatura °C			Preostali sadržaj vlage % 1400 okr/min		
		Procijenjen kapacitet	1/2 Punjenja	1/4 Punjenja	Procijenjen kapacitet	1/2 Punjenja	1/4 Punjenja	Procijenjen kapacitet	1/2 Punjenja	1/4 Punjenja	Procijenjen kapacitet	1/2 Punjenja	1/4 Punjenja	Procijenjen kapacitet	1/2 Punjenja	1/4 Punjenja
Pamuk 90°	9	2,4			03:13			84			81			53%		
Pamuk 60°	9	1,35			03:50			57			57			53%		
Eco 40-60	9	1,26	0,71	0,36	03:48	02:54	02:54	57	48	36	45	36	26	53%	53%	53%
Sintetika 40°	3,5	0,57			01:50			50			42			53%		
Brže 60/160°	4	1,11			01:00			35			58			53%		
Svakodnevno pamuk 20°	4,5	0,21			01:36			53			20			53%		

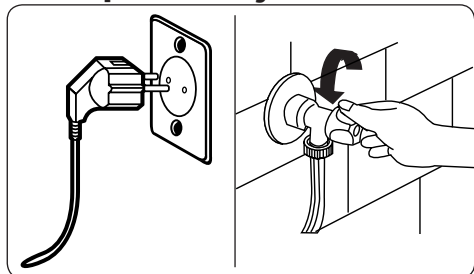
## 6.1 Informacije o sigurnosti

- Koristite samo deterdžente, omekšivače i druge dodatke pogodne za automatske perilice rublja. Višak pjene može se javiti i sustav automatske apsorpcije se aktivira uslijed prekomjerne uporabe deterdženta.
- Preporučamo periodično čišćenje perilice rublja na svaka 2 mjeseca. Za periodično pranje koristite program čišćenja bubnja. Ako vaša perilica nema program čišćenja bubnja, koristite program Pamuk-90. Kada je potrebno, koristite odstranjivače kamenca proizvedene specifično samo za perilice rublja.
- Nikada ne otvarajte na silu vrata dok Perilica rublja radi. Vrata perilice možete otvoriti 2 minute nakon završetka pranja. \*
- Nikada ne otvarajte na silu vrata dok Perilica rublja radi. Vrata će se otvoriti odmah nakon završetka ciklusa pranja. \*
- Postupci instaliranja i popravke trebaju uvijek biti provedeni od ovlaštenog servisera da bi se izbjegli mogući rizici. Proizvođač neće biti odgovoran za štete koje mogu nastati zbog provedbi procedura od neovlaštenih osoba.

(\*) Specifikacije perilice mogu se razlikovati ovisno o kupljenom proizvodu.

# 7. ČIŠĆENJE I ODRŽAVANJE

## 7.1 Upozorenje

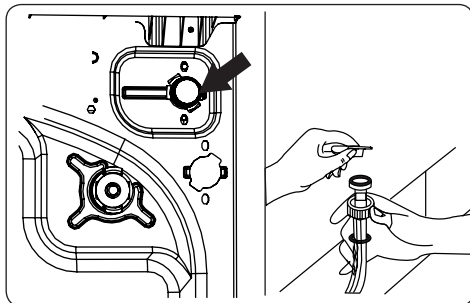


Isključite vaše strujno napajanje te izvadite utikač iz utičnice prije obavljanja održavanja i čišćenja vaše perilice. Isključite snabdijevanje vodom prije početka održavanja i čišćenja vaše perilice.

**⚠ OPREZ:** Nemojte koristiti otapala, abrazivna sredstva za čišćenje, sredstva za čišćenje stakla ili agense za univerzalno čišćenje za čišćenje vaše Perilice rublja. Isti mogu oštetiti plastične površine i druge dijelove kemikalijama koje sadrže.

## 7.2 Filtri dovoda vode

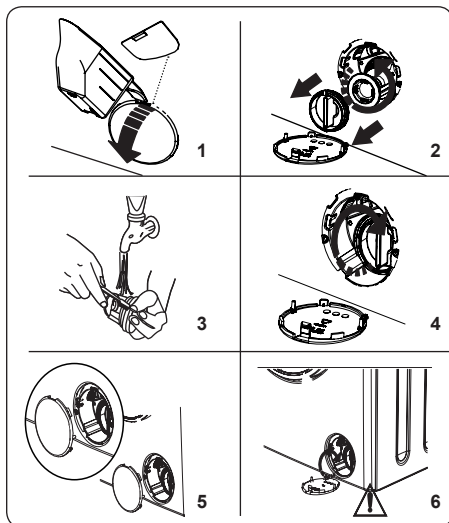
Filtri dovoda vode štite vašu perilicu od ulaska prljavštine i stranih materijala. Preporučamo čišćenje ovih filtara kada vaša perilica ne može primiti dovoljno vode, iako je opskrba vodom uključena i slavina otvorena. Preporučamo čišćenje vaših filtara dovoda vode na svaka 2 mjeseca.



- Odvijte crijevo(a) za dovod vode sa Perilice rublja.
- Za skidanje filtra dovoda vode sa zasuna dovoda vode, koristite par klijesta dugog nosa za nježno navlačenje plastične šipke u filter.
- Drugi filter odvoda vode smješten je na kraju slavine za crijevo za dovod vode. Za skidanje drugog filtra dovoda vode koristite par klijesta dugog nosa za nježno navlačenje plastične šipke u filter.
- Očistite filter temeljito mekanom četkom te operite sapunastom vodom i temeljito isperite. Ponovno vratite filter nježnim guranjem istog na svoje mjesto.

**⚠ OPREZ:** Filtri i zasun dovoda vode mogu se začepiti uslijed kvalitete vode ili odsustva potrebnog održavanja i mogu izazvati kvar. Ovo može izazvati curenje vode. Bilo koji kvarovi tog tipa su izvan opsega jamstva.

### 7.3 Filtar pumpe



Sustav filtra pumpe vaše Perilice rublja produljuje život pumpe sprječavanjem ulaska mucica u vašu perilicu. Preporučamo čišćenje filtra pumpe svaka 2 mjeseca.

Filtar pumpe je smješten iza poklopca u prednjem donjem desnom kutu.

Da biste očistili filter pumpe:

1. Možete koristiti lopaticu praška za pranje (\*) koja je snabdjevena s vašom perilicom ili ploču za razinu tekućeg deterdženta za otvaranje poklopca pumpe.
  2. Stavite kraj lopatice za prašak ili ploču za razinu tekućeg deterdženta na otvor poklopca te nježno pritisnite unazad. Poklopac će se otvoriti.
- Prije otvaranja poklopca filtra, stavite kontejner ispod poklopca filtra za skupljanje preostale vode u perilici.
  - Odstegnite filter okretanjem u smjeru suprotno od kazaljke na satu i izvadite ga vučenjem. Pričekajte da se voda ispusti.

**OPOMENA:** Ovisno od količine vode u perilici, možda ćete trebati prazniti kontejner za prikupljanje vode nekoliko puta.

3. Uklonite sve strane materijale iz filtra mekanom četkicom.
4. Nakon čišćenja, vratite filter

umetanjem i okretanjem u smjeru kazaljke na satu.

5. Pri zatvaranju poklopca filtra, uvjerite se da je montaža unutar poklopca na mjestu otvora na prednjoj strani ploče.
6. Zatvorite poklopac filtra.

**UPOZORENJE:** Voda u pumpi može biti vruća, pričekajte dok se ohladi prije obavljanja bilo kakvog čišćenja ili održavanja

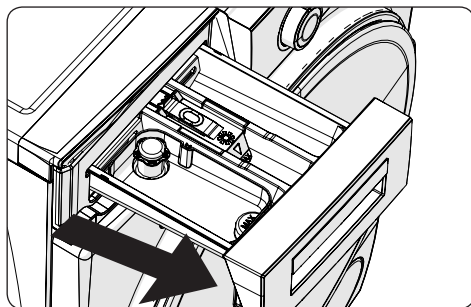
(\*)Specifikacije perilice mogu se razlikovati ovisno o kupljenom proizvodu.

### 7.4 Ladica za deterdžent

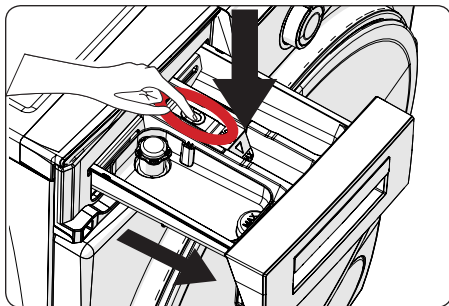
Upotreba deterdženta može tijekom vremena izazvati stvaranje ostataka u ladici za deterdžent. Preporučamo vam da izvadite ladicu za deterdžent svaka 2 mjeseca da biste očistili nataložene ostatke.

Za vađenje ladice za deterdžent:

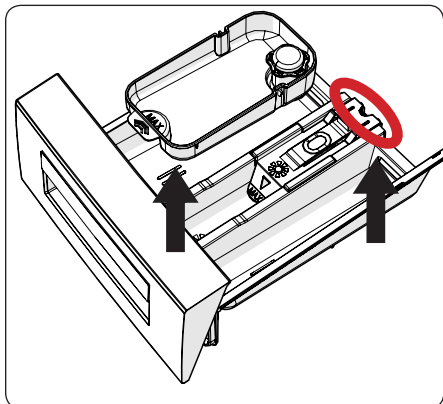
- Povucite ladicu unaprijed dok je sasvim ne izvučete.



- Pritisnite regiju prikazanu dolje unutar ladice za deterdžent koju ste povukli do kraj, i nastavite vući te izvadite ladicu za deterdžent s njenog mjesta.



- Sklonite ladicu za deterdžent i demontirajte zapušač za tekućinu. Očistite temeljito kako biste potpuno uklonili bilo kakve ostatke omekšivača. Vratite zapušač za tekućinu nakon čišćenja i provjerite da li je ispravno smješten.



- Isperite četkom i većom količinom vode.
- Prikupite na jedno mjesto ostatke unutar proreza ladiće za deterdžent tako da isti ne padnu u perilicu.
- Isušite ladicu za deterdžent ručnikom ili suhom krpom te vratite natrag.

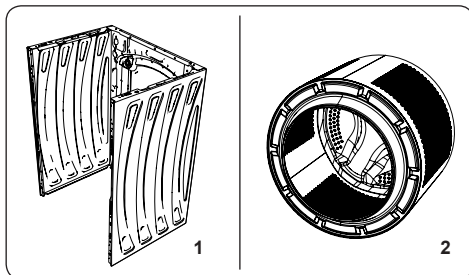
**!** **Nemojte prati vašu ladicu za deterdžent u perilici posuđa.**

#### **Pomagalo za tekući deterdžent(\*)**

Za čišćenje i održavanje pomagala za razinu tekućeg deterdženta, skinite pomagalo s njegove lokacije kao što je prikazano na slici ispod, i temeljito očistite ostatke deterdženta. Vratite pomagalo. Uvjerite se da nema ostataka materijala u sifonu.

(\*) Specifikacije perlice mogu se razlikovati ovisno o kupljenom proizvodu.

## 8. Tijelo / Doboš



### 1. Tijelo

Koristite umjerena, neabrazivna sredstva za čišćenje, ili sapun i vodu, za čišćenje vanjskih crijeva. Osušite brisanjem mekanom krpom.

### 2. Doboš

Ne ostavljajte metalne predmete kao igle, spajalice za papir, novčiće itd. u vašoj perilici. Ovi predmeti stvaraju mrlje od hrđe u dobošu. Za čišćenje takvih mrlja od hrđe koristite sredstvo za čišćenje bez klora i slijedite upute proizvođača glede sredstva za čišćenje. Nikada ne koristite žičanu vunu ili slične tvrde predmete za čišćenje mrlja od hrđe.

## 9. OTKLANJANJE POTEŠKOĆA

Popravak vaše perilice treba provesti ovlaštenu servisera. Ako vaša perilica treba popravku ili ako ne možete riješiti neko pitanje u svezi informacija navedenim niže, tada trebate sljedeće:

- Isključite vašu perilicu iz strujnog napajanja.
- Isključite snabdijevanje vodom.

POGREŠKA	MOGUĆI UZROK	OTKLANJANJE POTEŠKOĆA
Vaša perilica ne počinje raditi.	Perilica nije priključena na napajanje.	Priključite utikač perilice.
	Osigurači su neispravni.	Zamijenite osigurače.
	Nema strujnog napajanja.	Provjerite struju.
	Tipka za pokretanje / privremeno zaustavljanje nije pritisnuta.	Pritisnite Tipku za pokretanje / privremeno zaustavljanje
	Programski gumb je u položaju „stop(zaustavljeno)“.	Okrenite programski gumb u željeni položaj.
	Vrata perilice nisu pravilno zatvorena.	Zatvorite vrata perilice.
Vaša perilica ne prima vodu.	Slavina za vodu je zatvorena.	Otvorite slavinu za vodu.
	Možda je crijevo za dovod vode uvrnuto.	Provjerite crijevo z dovod vode i odvrnite ga.
	Crijevo za dovod vode je začepljeno.	Očistite filtre crijeva za dovod vode. (*)
	Filtar dovoda je začepljen.	Očistite filtre dovoda. (*)
	Vrata perilice nisu pravilno zatvorena.	Zatvorite vrata perilice.
Vaša perilica ne ispušta vodu.	Crijevo za odvod vode je začepljeno ili uvrnuto.	Provjerite crijevo za odvod, zatim ga očistite ili odvrnite.
	Filtar pumpe je začepljen.	Očistite filtari pumpe. (*)
	Rublje je previše nabijeno skupa u dobošu.	Rasporedite vaše rublje podjednako u perilici.
Vaša perilica vibrira.	Postolje nije podešeno.	Podesite postolje. (**)
	Transportni vijci pričvršćeni za transport nisu skinuti.	Skinite transportne vijke s perilice. (**)
	Malo punjenje doboša.	Ovo neće spriječiti rad vaše perilice.
	Vaša perilica je prepunjena rubljem ili rublje nije jednako raspoređeno.	Nemojte pretrpavati doboš. Rasporedite vaše rublje podjednako u dobošu.
	Vaša perilica stoji na tvrdj površini.	Nemojte podešavati vašu perilicu rublja na tvrdj površini.
Višak pjene se stvara u ladicu za deterđent.	Korišćena je veća količina deterđenta od potrebne.	Pritisnite Tipku za pokretanje / privremeno zaustavljanje Da biste zaustavili pjenu, razrijedite jednu žlicu omekšivača u 1/2 litre vode i sipajte u ladicu za deterđent. Pritisnite Tipku za pokretanje / privremeno zaustavljanje nakon 5-10 minuta.
	Korišten je pogrešan deterđent.	Koristite samo deterđente proizvedene za automatske perilice rublja.



POGREŠKA	MOGUĆI UZROK	OTKLANJANJE POTEŠKOĆA
Nezadovoljavajući rezultati pranja.	Vaše pranje je previše prljivo za odabrane programe.	Koristite informacije iz tablica programa za odabir najpogodnijeg programa.
	Korištena je manja količina deterdženta od potrebne.	Koristite količinu deterdženta kao što je navedeno na pakiranju.
	Ima previše rublja u vašoj perilici.	Provjerite da li je prekoračen maksimalni kapacitet za odabrani program.
Nezadovoljavajući rezultati pranja.	Tvrda voda.	Slijedite upute proizvođača o uvećanju količini deterdženta koju koristite.
	Vaše rublje je previše nabijeno skupa u dobošu.	Provjerite da li je vaše rublje raspoređeno.
Čim se perilica napuni vodom, voda se ispušta.	Kraj crijeva za odvod vode je prenisko za perilicu.	Provjerite da li je crijevo za odvod vode na podesnoj visini. (**)
Ne pojavljuje se voda u dobošu tijekom pranja.	Nema pogreške. Voda je u dijelu doboša koji ne vidite.	.....
Rublje ima ostatke deterdženta.	Neotapajuće čestice nekih deterdženata mogu se pojaviti na vašem rublju kao bijele točkice.	Provedite dodatno ispiranje, ili očistite vaše rublje četkom nakon što se osuši.
Sive točkice se pojavljuju na rublju.	Prisutno je neobrađeno ulje, krema ili mast na vašem rublju.	Koristite količinu deterdženta kao što je navedeno na pakiranju pri sljedećem pranju.
Ciklus centrifuge se ne provodi ili se provodi kasnije od očekivanog.	Nema pogreške. Aktiviran je kontrolni sustav za neuravnoteženo punjenje.	Kontrolni sustav za neuravnoteženo punjenje će pokušati raširiti vaše rublje. Ciklus centrifuge će početi odmah nakon širenja vašeg rublja. Napunite doboš ravnomjerno za naredno pranje.

(\*) Više informacija možete pronaći u poglavlju o održavanju i čišćenju perilice.

(\*\*) Vidite odjeljak o instaliranju vaše perilice.

## 10. AUTOMATSKA UPOZORENJA O POGREŠKAMA I ŠTO RADITI

Perilica rublja je opremljena ugrađenim sustavom za otkrivanje kvarova, a kvarovi su naznačeni kombinacijom treperećih svjetala operacija pranja. Najčešći kodovi kvarova prikazani su u nastavku.

ŠIFRA POGREŠKE	MOGUĆI KVAR	ŠTO UČINITI
E01	Vrata vaše perilice nisu pravilno zatvorena.	Zatvorite vrata pravilno dok ne čujete škljocanje. Ako se na perilici i dalje prikazuje poruka o kvaru, isključite je, odspojite od napajanja i obratite se najbližem ovlaštenom servisu bez odlaganja.
E02	Pritisak vode ili razina vode unutar perilice mogu biti niski.	Provjerite je li slavina odvrnuta do kraja. Možda je glavni dovod vode prekinut. Ako se problem nastavi, vaša perilica će se zaustaviti automatski. Isključite perilicu iz struje, zatvorite slavinu i obratite se najbližem ovlaštenom serviseru.
E03	Kvar pumpe ili začepljen filter pumpe ili kvar električnog priključka pumpe.	Očistite filter pumpe. Ako se problem nastavi, obratite se najbližem ovlaštenom servisu. (*)
E04	U perilici se nalazi prevelika količina vode.	Perilica će samostalno ispustiti vodu. Čim se voda ispusti, isključite vašu perilicu te izvadite utikač iz struje. Zatvorite slavinu i obratite se najbližem ovlaštenom serviseru.

(\*) Više informacija možete pronaći u poglavlju o održavanju i čišćenju perilice.



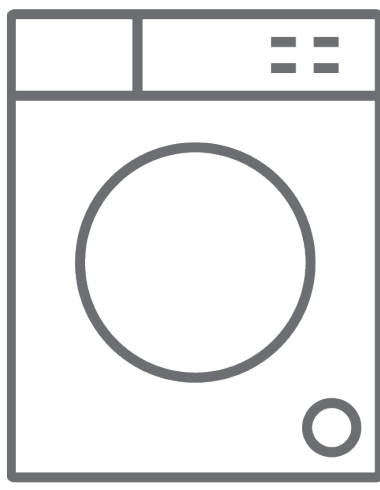


<https://www.voxelectronics.com>  
[callcenter@voxelectronics.com](mailto:callcenter@voxelectronics.com)





**PT** Manual de Utilizador / Máquina de Lavar



**WM1495-YT1QD**

## Obrigado por escolher este produto.

Este Manual de Utilizador contém informações de segurança e instruções importantes relativamente ao manuseamento e manutenção do seu eletrodoméstico.

Por favor, despenda algum tempo a ler este Manual de Utilizador antes de utilizar o seu eletrodoméstico e guarde-o para referência futura.

Ícone	Tipo	Significado
	<b>AVISO</b>	Risco de lesão grave ou morte
	<b>RISCO DE CHOQUE ELÉTRICO</b>	Risco de tensão perigosa
	<b>INCÊNDIO</b>	Aviso; Risco de incêndio / Materiais inflamáveis
	<b>CUIDADO</b>	Risco de danos materiais ou lesão
	<b>IMPORTANTE / NOTA</b>	Manusear corretamente o sistema

# ÍNDICE

<b>1. INSTRUÇÕES DE SEGURANÇA</b> .....	<b>1</b>
1.1 Avisos Gerais de Segurança .....	2
1.2 Durante a Utilização .....	6
1.3 Embalagem e Ambiente .....	8
1.4 Informações de Poupança.....	8
<b>2. ESPECIFICAÇÕES TÉCNICAS</b> .....	<b>9</b>
2.1 Aparência Geral.....	9
2.2 Especificações Técnicas .....	9
<b>3. INSTALAÇÃO</b> .....	<b>10</b>
3.1 Remoção dos Parafusos de Transporte .....	10
3.2 Ajustar os Pés / Ajustar as Bases de Ajuste .....	10
3.3 Ligação Elétrica.....	10
3.4 Conexão da Mangueira de Entrada de Água .....	11
3.5 Conexão de Descarga de Água .....	12
<b>4. PANORÂMICA DO PAINEL DE CONTROLO</b> .....	<b>12</b>
4.1 Gaveta de detergente (*).....	12
4.2 Secções .....	13
4.3 Marcação de programa .....	13
4.4 Visor Eletrónico .....	13
<b>5. UTILIZAR A SUA MÁQUINA DE LAVAR</b> .....	<b>14</b>
5.1 Preparar a sua Roupa .....	14
5.2 Colocar a roupa na máquina .....	14
5.3 Adicionar Detergente à Máquina .....	15
5.4 Manusear a Máquina.....	15
5.5 Selecionar um Programa.....	15
5.6 Sistema de Detecção de Meia Carga.....	15
5.7 Funções Adicionais .....	16
5.8 Bloqueio Infantil .....	17
5.9 Cancelar o Programa .....	17
5.10 Fim de programa .....	17
<b>6. TABELA DE PROGRAMAS</b> .....	<b>19</b>
6.1 Informação importante.....	22
<b>7. LIMPEZA E MANUTENÇÃO</b> .....	<b>23</b>
7.1 Aviso .....	23
7.2 Filtros de entrada de água .....	23
7.3 Filtro da bomba.....	24
7.4 Gaveta de detergente.....	24
7.5 TAMBOR/BASE/TRAVÃO DE DESCARGA .....	25
<b>8. Corpo / Tambor</b> .....	<b>25</b>
<b>9. RESOLUÇÃO DE PROBLEMAS</b> .....	<b>26</b>
<b>10. AVISOS AUTOMÁTICOS DE AVARIA E O QUE FAZER</b> .....	<b>27</b>

# 1. INSTRUÇÕES DE SEGURANÇA

Frequência/tensão operativa	(V/Hz) (220-240) V~/50Hz
Corrente total (A)	10
Pressão de água (Mpa)	Máximo 1 Mpa / Mínimo 0,1Mpa
Potência total (W)	2200
Capacidade máxima de lavagem (roupa seca) (kg)	9

- Não instale a sua máquina sobre uma carpete ou em chão similar que pudessem evitar a ventilação da sua base.
- O eletrodoméstico não deverá ser utilizado por pessoas (incluindo crianças) com capacidades mentais, sensoriais e físicas reduzidas ou com falta de experiência ou conhecimento a menos que tenham sido supervisionados ou tenham recebido instruções relativamente à utilização do eletrodoméstico por parte de uma pessoa responsável pela sua segurança.
- Crianças com idade inferior a 3 anos deverão ser mantidas afastadas a menos que tenham supervisão contínua.
- Contacte o centro de reparação autorizada mais próximo se houver avarias no cabo elétrico e o mesmo necessitar de substituição.
- Utilize apenas a nova mangueira de entrada de água que vem com a sua máquina aquando da realização de ligações de entrada de água à sua máquina. Nunca utilize mangueiras de entrada de

água velhas, usadas ou danificadas.

- As crianças não devem brincar com o eletrodoméstico. A limpeza e a manutenção por parte do utilizador não deverão ser realizadas por crianças sem supervisão.

**👉 NOTA:** Para obter uma cópia deste manual, por favor, contacte o endereço seguinte: “washingmachine@standardtest.info”. No seu email, por favor, indique o nome do modelo e número de série (20 dígitos) que pode encontrar na porta do eletrodoméstico.

**Leia este manual cuidadosamente.**

**A sua máquina destina-se apenas a uso doméstico. Utilizá-la para fins comerciais irá fazer com que a garantia seja cancelada.**




## **1.1 Avisos Gerais de Segurança**


- A temperatura ambiente necessária para o funcionamento da sua máquina de lavar é 15-25 °C.
- Quando a temperatura for abaixo de 0 °C, as mangueiras poderão partir ou o cartão eletrónico poderá não funcionar corretamente.
- Por favor, certifique-se de que as roupas carregadas na máquina de lavar estão livres de objetos estranhos como por exemplo, unhas, agulhas, isqueiros e moedas.
- **Recomenda-se que para a sua primeira lavagem, selecione o programa algodão a 90 ° sem roupa e encha até meio o compartimento II da gaveta de detergente com um detergente adequado.**



- Poder-se-ão acumular resíduos em detergentes e amaciadores expostos ao ar durante um longo período de tempo. Coloque apenas amaciador ou detergente na gaveta no início de cada lavagem.
- Desligue a sua máquina de lavar da tomada ou desligue a alimentação de água se a sua máquina de lavar não for usada durante um longo período de tempo. Recomendamos que deixe a porta aberta para evitar a acumulação de humidade dentro da máquina de lavar.
- Alguma água poderá ficar dentro da máquina de lavar em resultado das verificações de qualidade durante a produção. Isto não irá afetar o funcionamento da sua máquina de lavar.
- A embalagem da máquina poderá ser perigosa para crianças. Não deixe que crianças brinquem com a embalagem ou com pequenas peças da máquina de lavar.
- Guarde os materiais da embalagem num local onde as crianças não lhes cheguem ou elimine-os adequadamente.
- Utilize programas de pré-lavagem para roupa muito suja.

 Nunca abra a gaveta do detergente enquanto a máquina estiver a funcionar.

- Na eventualidade de avaria, desligue a máquina da tomada e feche a torneira de abastecimento de água. Não tente realizar quaisquer reparações. Contacte sempre o agente de reparação autorizado.
- Não exceda a carga máxima para o programa de lavagem que escolheu.

 Nunca force a abertura de porta quando a

máquina de lavar estiver a funcionar.

- Lavar roupa que contenha farinha pode danificar a sua máquina.
- Siga as instruções do fabricante relativamente à utilização de amaciador de tecidos ou outros produtos similares que deseje utilizar na sua máquina de lavar.
- Certifique-se de que a porta da sua máquina de lavar não está restrita e pode ser totalmente aberta.
- Instale a sua máquina num local onde possa ter ventilação suficiente de preferência onde haja circulação de ar constante.

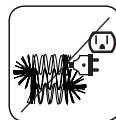
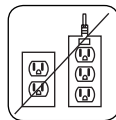
**⚠️ Leia estes avisos. Siga os conselhos indicados para se proteger a si e aos outros de riscos e lesões fatais.**

## **RISCO DE QUEIMADURAS**

**⚠️** Não toque na mangueira de drenagem ou em qualquer água descarregada enquanto a sua máquina estiver a funcionar. As temperaturas altas envolvidas criam risco de queimadura.

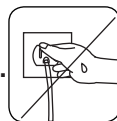
## **⚠️⚡ RISCO DE MORTE POR CORRENTE ELÉTRICA**

- Não conecte a sua máquina de lavar à eletricidade utilizando uma extensão.
- Não insira uma ficha danificada na tomada.
- Nunca remova a ficha da tomada puxando o cabo. Segue sempre pela ficha.
- Nunca toque na ficha/cabo elétrico com as mãos molhadas uma vez que isto pode causar curto circuito ou choque elétrico.
- Não toque na sua máquina de lavar se tiver



as mãos ou os pés molhados.

- Uma ficha/cabo elétrico danificado poderão causar um incêndio ou dar-lhe um choque elétrico. Quando danificado deve ser substituído, isto só deverá ser realizado por pessoal qualificado.



### **⚠ Risco de inundação**

- Verifique a velocidade do fluxo de água antes de substituir a mangueira de drenagem num lavatório.
- Tome as medidas necessárias para evitar que a mangueira derrape.
- O fluxo de água poderá desencadear a mangueira se esta não estiver bem segura. Certifique-se de que a tampa do seu lavatório não bloqueia o orifício da tampa.

### **⚠ Perigo de Incêndio**

- Não armazene líquidos inflamáveis perto da sua máquina.
- O conteúdo de enxofre dos decapantes de tinta poderão causar corrosão. Nunca materiais de remoção de tinta na sua máquina.
- Nunca utilize produtos que contenham solventes na sua máquina.
- Por favor, certifique-se de que as roupas carregadas na máquina de lavar estão livres de objetos estranhos como por exemplo, unhas, agulhas, isqueiros e moedas.

### **Risco de incêndio e de explosão**

#### **⚠ Risco de queda e lesão**

- Não suba para cima da sua máquina de lavar.
- Certifique-se de que mangueiras e cabos não

causam perigo de tropeção.

- Não vire a sua máquina de lavar ao contrário ou de lado.
- Não levante a sua máquina de lavar usando a porta ou a gaveta de detergente.

**! A máquina deve ser transportada, pelo menos, por 2 pessoas.**



**! Segurança infantil**

- Não deixe que crianças fiquem sozinhas perto da máquina. As crianças poderão fechar-se na máquina e isto resulta em perigo de morte.
- Não deixe que crianças toquem na porta de vidro durante o funcionamento. A superfície poderá ficar muito quente e poderá causar danos na pele.
- Mantenha o material da embalagem longe de crianças.
- Poderão ocorrer envenenamento e irritação se detergente ou materiais de limpeza forem consumidos ou entrarem em contacto com os olhos ou a pele. Mantenha os materiais de limpeza fora do alcance das crianças.



## **1.2 Durante a Utilização**

- Mantenha animais de estimação longe da sua máquina.
- Por favor, verifique a embalagem da sua máquina antes de instalar e a superfície exterior da máquina assim que a embalagem tiver sido removida. Não manuseie a máquina se aparentar estar danificada ou se a embalagem tiver sido aberta.

- A sua máquina só deve ser instalada por um agente de serviço autorizado. A instalação por parte de outra pessoa que não um agente autorizado poderá anular a sua garantia.
- Este eletrodoméstico pode ser utilizado por crianças com 8 anos de idade e superior e por pessoas (incluindo crianças) com capacidades mentais, sensoriais e físicas reduzidas ou com falta de experiência ou conhecimento a menos que tenham sido supervisionados ou tenham recebido instruções relativamente à utilização do eletrodoméstico de forma segura e que tenham entendido os perigos envolvidos. As crianças não devem brincar com o eletrodoméstico. A limpeza e a manutenção por parte do utilizador não deverão ser realizadas por crianças sem supervisão.
- Utilize apenas a sua máquina para roupa com etiquetas do fabricante a indicar que podem ser lavadas na máquina.
- **Antes de operar a máquina de lavar, remova os 4 parafusos de transporte e os espaçadores de borracha da traseira da máquina. Se os parafusos não forem removidos poderão causar muita vibração, ruído e avaria da máquina e causar a anulação da garantia.**
- A sua garantia não cobre os danos causados por fatores externos como por exemplo, incêndio, inundação e outras fontes de danos.
- Por favor, não deite fora este manual de utilizador; guarde-o para referência futura e entregue-o ao proprietário seguinte.

 **NOTA:** As especificações para a máquina poderão variar dependendo do produto adquirido.

## 1.3 Embalagem e Ambiente

### Remoção dos materiais de embalagem

Os materiais de embalagem protegem a sua máquina de quaisquer danos que poderão ocorrer durante o transporte. Os materiais de embalagem são amigos do ambiente uma vez que são recicláveis. A utilização de material reciclado reduz o consumo de matéria-prima e diminui a produção de resíduos.

### 1.4 Informações de Poupança

Algumas informações importantes para obter uma maior eficiência da sua máquina:

- Não exceda a carga máxima para o programa de lavagem que escolheu. Isto permitirá que a sua máquina correr em modo de poupança de energia.
- Não utilize a característica de pré-lavagem para roupa pouco suja. Isto irá ajudar a poupar no consumo de água e eletricidade.

#### Declaração de Conformidade CE

Declaramos que os nossos produtos cumprem com as Diretivas, Decisões e Regulamentações Europeias e com os requisitos listados nos padrões referenciados.

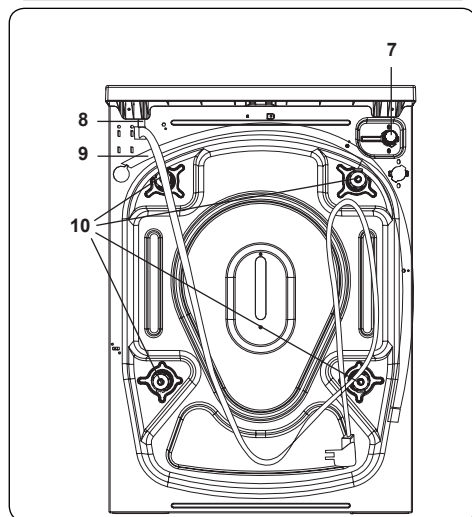
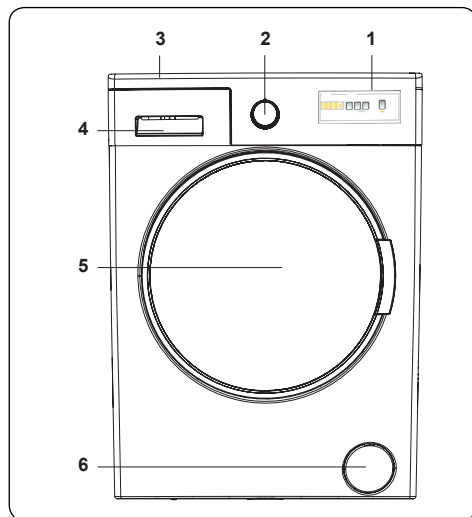
#### Eliminação da sua máquina antiga



O símbolo no produto ou na embalagem indica que este produto não poderá ser tratado como resíduo doméstico. Ao invés disso, deverá ser entregue no ponto de recolha adequado para a reciclagem de equipamento elétrico e eletrónico. Ao assegurar que este produto é eliminado corretamente, irá ajudar a evitar consequências potencialmente negativas para o ambiente e para a saúde humana que poderiam, de outra forma, ser causadas pelo manuseamento de resíduos inadequado deste produto. Para informações

mais detalhadas sobre a reciclagem deste produto, por favor, contacte a secretária da sua cidade, o seu serviço de eliminação de resíduos domésticos ou a loja onde adquiriu o produto.

## 2. ESPECIFICAÇÕES TÉCNICAS



### 2.1 Aparência Geral

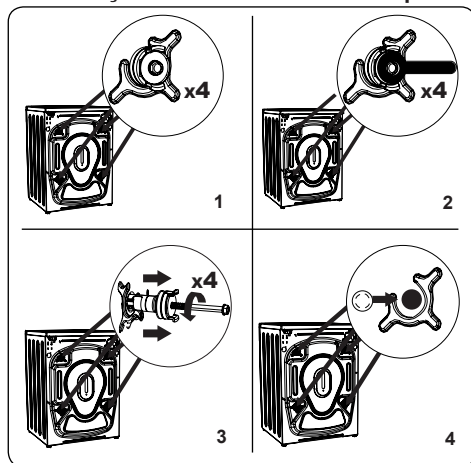
1. Visor eletrônico
2. Marcação de programa
3. Tabuleiro superior
4. Gaveta de detergente
5. Tambor
6. Tampa do filtro da bomba
7. Válvula de entrada de água
8. Cabo elétrico
9. Mangueira de descarga
10. Parafusos de transporte

## 2.2 Especificações Técnicas

Tensão operativa / Frequência (v/hz)	(220-240) V~/50Hz
Corrente total (A)	10
Pressão de água (Mpa)	Maximum: 1 Mpa Minimum : 0.1 Mpa
Potência total (W)	2200
Capacidade máxima de roupa seca (kg)	9
Rotação de centrifugação (rot/min)	1400
Número de programa	15
Dimensões (mm)	
Altura	845
Largura	597
Profundidade	582

### 3. INSTALAÇÃO

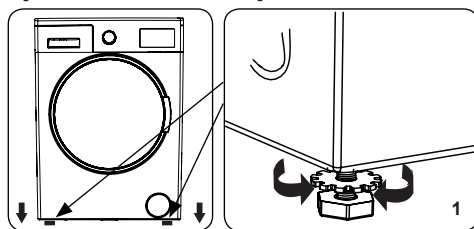
#### 3.1 Remoção dos Parafusos de Transporte



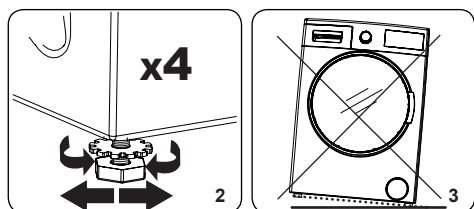
1. Antes de operar a máquina de lavar, remova os 4 parafusos de transporte e os espaçadores de borracha da traseira da máquina. Se os parafusos não forem removidos poderão causar muita vibração, ruído e avaria da máquina e causar a anulação da garantia.
2. Retire os parafusos de transporte rodando-os no sentido contrário ao dos ponteiros do relógio com uma chave adequada.
3. Remova os parafusos de transporte com um puxão.
4. Encaixe as tampas de plástico fornecidas no saco de acessórios para as falhas deixadas pela remoção dos parafusos de transporte. Os parafusos de transporte deverão ser armazenados para utilização futura.

**NOTA:** Retire os parafusos de transporte antes de utilizar a máquina pela primeira vez. Erros que tenham ocorrido devido à máquina ter sido operada com parafusos de transporte instalados estão fora do âmbito da garantia.

#### 3.2 Ajustar os Pés / Ajustar as Bases de Ajuste

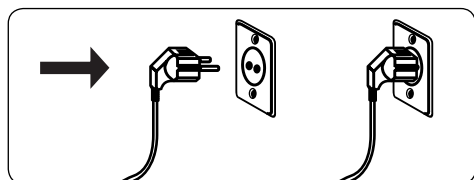


1. Não instale a sua máquina numa superfície (como por exemplo, carpete) que evite a ventilação na base.
  - Para assegurar uma operação silenciosa e sem vibração da sua máquina, instale-a numa superfície firme.
  - Pode nivelar a sua máquina utilizando os pés ajustáveis.
  - Retire a porca de bloqueio de plástico.



2. Para aumentar a altura da máquina, rode os pés no sentido dos ponteiros do relógio. Para diminuir a altura da máquina, rode os pés no sentido contrário ao dos ponteiros do relógio.
  - Assim que a máquina estiver nivelada, aperte as porcas de bloqueio rodando-as no sentido dos ponteiros do relógio.
3. Nunca insira cartão, madeira ou outros materiais similares debaixo da máquina para a nivelar.
  - Aquando da limpeza do chão no qual a máquina se localiza, tome cuidado para não perturbar o nível da máquina.

#### 3.3 Ligação Elétrica



- A sua máquina de lavar necessita de alimentação 220-240V, 50Hz.

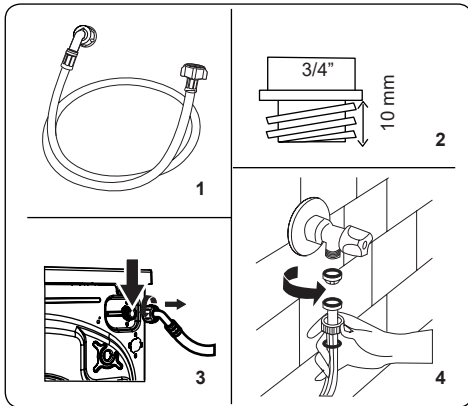


- O cabo principal da sua máquina de lavar vem equipado com uma tomada de terra. Esta tomada deverá ser sempre inserida numa tomada de terra de 10 amps.
- A tomada deverá ser sempre inserida numa tomada de terra de 10 amperes. A classificação de fusível da tomada deverá também ser de 10 amperes.
- Se não tiver uma tomada adequada e o fusível estiver conforme, certifique-se que o trabalho é realizado por um electricista qualificado.
- Não assumimos a responsabilidade por danos que ocorram devido à utilização de equipamento sem ligação a terra.



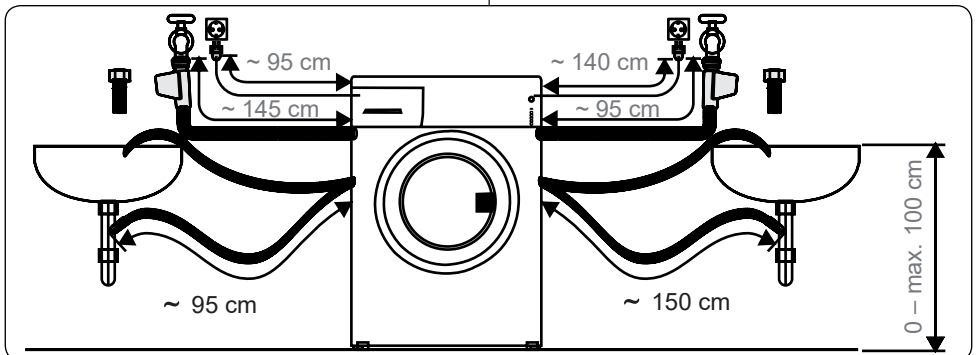
**NOTA:** Operar a sua máquina com baixa tensão irá fazer com que o ciclo de vida da sua máquina seja reduzida e o seu desempenho seja restringido.

### 3.4 Conexão da Mangueira de Entrada de Água



1. A sua máquina poderá ter uma conexão de entrada de água única

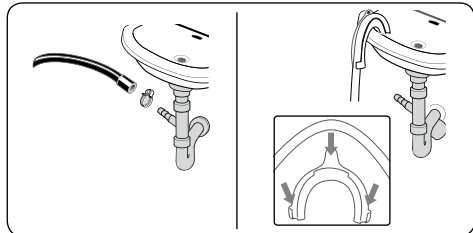
- (fria) ou conexão de entrada de água dupla (quente e fria) dependendo das especificações da máquina. A mangueira revestida branca deverá ser conectada à entrada de água fria e a mangueira revestida vermelha à entrada de água quente (se aplicável).
2. Para evitar fugas de água nas uniões, 1 ou 2 porcas (dependendo das especificações da sua máquina) são fornecidos na embalagem com a mangueira. Encaixe as porcas na(s) extremidade(s) da mangueira de entrada de água que conecta à alimentação de água.
  2. Conecte as mangueiras de entrada de água a uma tampa roscada de  $\frac{3}{4}$ ".
  - Conecte a extremidade revestida a branco da mangueira de entrada de água à válvula de entrada de água branca na traseira da máquina e a extremidade revestida a vermelho da mangueira à válvula de entrada de água vermelha (se aplicável).
  - Aperte as conexões manualmente. Se tiver dúvidas, consulte um canalizador qualificado.
  - O fluxo de água com pressão de 0,1-1 Mpa permitirá que a sua máquina opere com uma eficiência otimizada (pressão de 0,1 Mpa significa que mais de 8 litros de água por minuto irão fluir através da torneira totalmente aberta).
  3. Assim que tiver realizado todas as conexões, ligue cuidadosamente a alimentação de água e verifique quanto a fugas.
  4. Certifique-se de que as novas mangueiras de entrada de água não estão presas, vincadas, torcidas, dobras ou esmagadas.



- Se a sua máquina tiver uma conexão de entrada de água quente, a temperatura de alimentação de água quente não deverá ser superior a 70 °C.

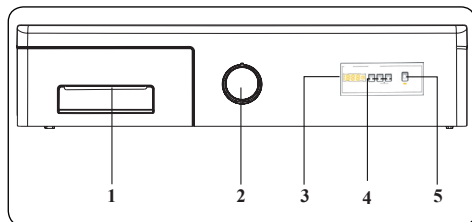
**NOTA:** A sua máquina de lavar só pode ser conectada à sua alimentação de água utilizando a nova mangueira de enchimento. As mangueiras antigas não devem ser reutilizadas.

### 3.5 Conexão de Descarga de Água



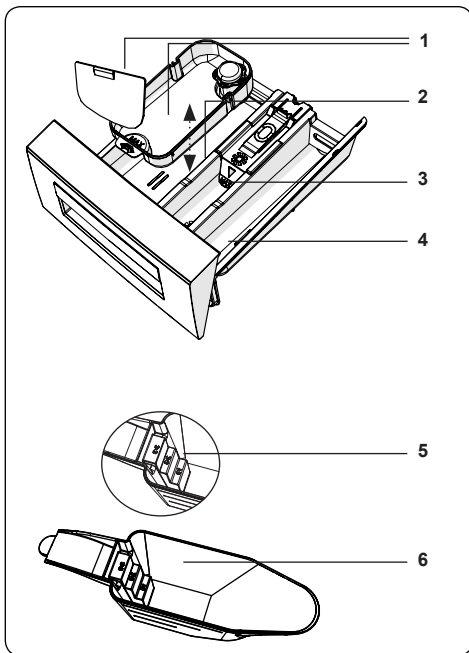
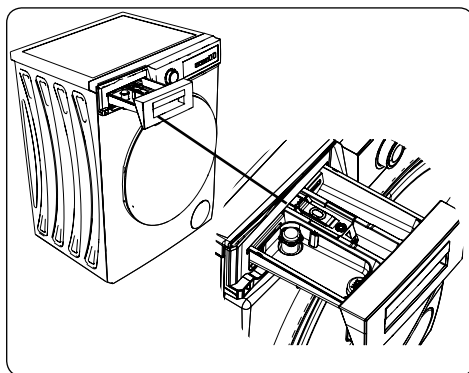
- Conecte a mangueira de drenagem de água a um tubo ou ao cotovelo de saída de um lavatório doméstico utilizando equipamento adicional.
- Nunca tente retirar a mangueira de drenagem de água.
- Não coloque a mangueira de drenagem de água a partir da sua máquina para um recipiente, balde ou banheira.
- Certifique-se de que a mangueira de drenagem de água não está dobrada, engatada, esmagada ou esticada.
- A mangueira de drenagem de água deverá ser instalada a uma altura máxima de 100 cm do chão.

## 4. PANORÂMICA DO PAINEL DE CONTROLO



1. Gaveta de detergente
2. Botão de programa
3. Painel do visor
4. Botão Funções Adicionais
5. Botão Iniciar/Pausa

### 4.1 Gaveta de detergente (\*)

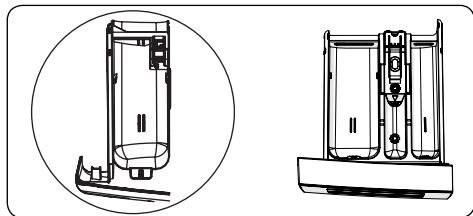


1. Anexos de detergente líquido
2. Compartimento de detergente de lavagem principal
3. Compartimento de amaciador
4. Compartimento de detergente de pré-lavagem
5. Níveis de detergente em pó
6. Colher de detergente em pó

(\*) As especificações poderão variar dependendo da máquina adquirida. Acessórios opcionais com custo extra.

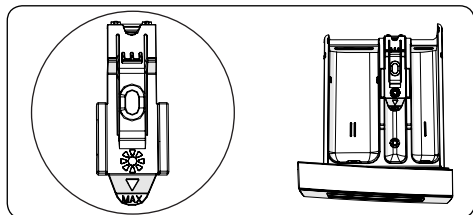
## 4.2 Secções

### Compartimento de detergente de lavagem principal:



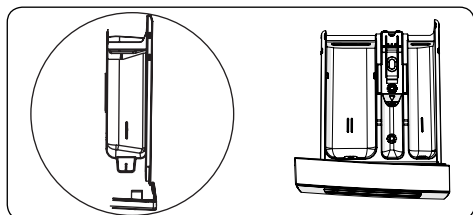
Este compartimento serve para detergentes líquidos e em pó ou para detergente anticalcário. A placa de nível de detergente líquido será fornecida dentro da sua máquina. (\*)

### Condicionador de tecidos, goma, compartimento de detergente:



Este compartimento é para condicionadores, amaciadores ou goma. Siga as instruções indicadas na embalagem. Se os amaciadores deixarem resíduos após a utilização, tente diluí-los ou utilizar um amaciador líquido.

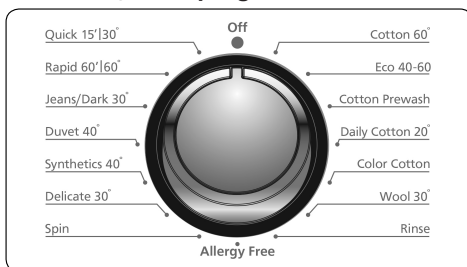
### Compartimento de detergente de pré-lavagem:



Este compartimento só deve ser utilizado quando a característica de pré-lavagem é selecionada. Recomendamos que a característica de pré-lavagem seja utilizada apenas para roupa muito suja.

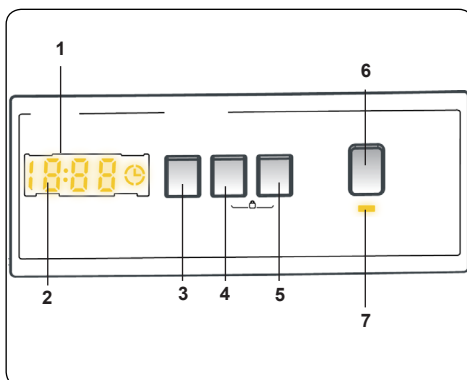
(\*) As especificações poderão variar dependendo da máquina adquirida.

## 4.3 Marcação de programa



- Para selecionar o programa desejado, rode o marcador de programa no sentido dos ponteiros do relógio ou no sentido contrário aos ponteiros do relógio até que o marcador no marcador de programa aponte para o programa escolhido.
- Certifique-se de que a marcação de programa está configurada exatamente no programa que deseja.

## 4.4 Visor Eletrônico



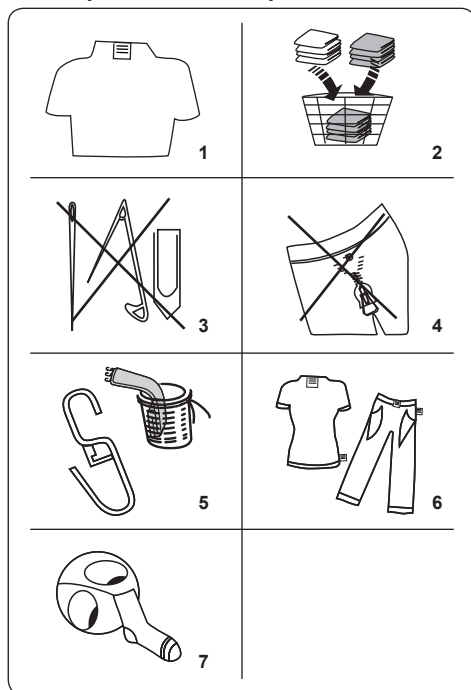
1. Visor Eletrônico
2. Visor Digital
3. Botão de Ajuste de Temperatura da Água
4. Botão de Ajuste de Velocidade RPM
5. Botão de Função Adicional 1
6. Botão Start/Pause
7. Lâmpada de botão de início / pausa

O painel do visor mostra o temporizador de atraso de lavagem (se configurado), a seleção de temperatura, velocidade de centrifugação, quaisquer funções adicionais que tenha selecionado.

O painel do visor indica "End" quando o programa selecionado estiver completo. O painel do visor indica ainda se ocorreu um erro com a sua máquina.

## 5. UTILIZAR A SUA MÁQUINA DE LAVAR

### 5.1 Preparar a sua Roupa




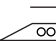













1. Siga as instruções indicadas nas etiquetas da roupa.
  - Separe a sua roupa de acordo com tipo (algodão, sintéticos, sensíveis, lã, etc.), temperatura de lavagem (frio, 30 °, 40 °, 60 °, 90 °) e o grau de sujidade (ligeiramente sujo, com nódoas, muito sujo).
2. Nunca lave roupa branca e roupa de cor juntas.
  - Têxteis escuros podem conter tinta e deverão ser lavados separadamente várias vezes.
3. Certifique-se de que não existem materiais metálicos na sua roupa ou nos bolsos, se existirem, remova-os.

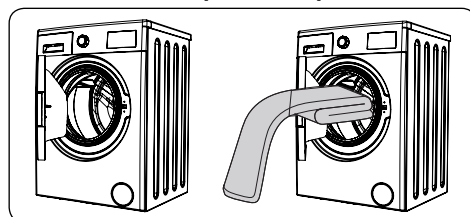
**! CUIDADO:** Quaisquer avarias que ocorram devido a materiais estranhos que danifiquem a sua máquina não são cobertos pela garantia.

4. Feche fechos de correr e aperte ganchos e olhais.

5. Remova os ganchos de plástico ou de metal das cortinas e coloque-os numa rede ou num saco de lavagem.
6. Vire do avesso têxteis como calças, malhas, t-shirts e sweatshirts.
7. Lave meias, lenços e outros itens pequenos numa rede de lavagem.

 Pode ir à lixívia	 Não usar lixívia	 Lavagem normal
 Temperatura máxima para passar a ferro 150 °C	 Temperatura máxima para passar a ferro 200 °C	 Não passar a ferro
 Pode ser limpo a seco	 Não limpar a seco	 Secar na horizontal
 Secar ao ar livre	 Pendurar para secar	 Não secar na máquina
 Limpeza a seco com óleo gás, álcool puro e R113 é permitida	 Percloroetileno R11, R13, Petróleo	 Percloroetileno R11, R113, óleo gás

### 5.2 Colocar a roupa na máquina



- Abra a porta da sua máquina.
- Coloque a sua roupa na máquina, espalhando-a bem.

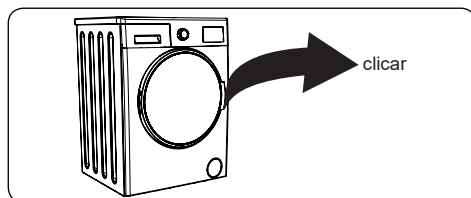
**! NOTA:** Tome cuidado para não exceder a carga máxima do tambor uma vez que isto irá fornecer resultados de lavagem pobres e causar vincos. Consulte

a tabela de programas para informações sobre as capacidades de carga.

A tabela seguinte mostra os pesos aproximados de itens de roupa típicos:

TIPO DE ROUPA	PESO (gr)
Toalha	200
Roupa	500
Roupão	1200
Capa de edredão	700
Fronha de almofada	200
Roupa interior	100
Roupa de mesa	250

- Coloque cada peça de roupa separadamente.
- Verifique se não ficaram peças de roupa presas entre a junta da borracha e a porta.
- Empurre a porta ligeiramente até que oíça um clique.



- Certifique-se de que a porta está totalmente fechada, caso contrário, o programa não irá começar.

### 5.3 Adicionar Detergente à Máquina

A quantidade de detergente que necessitará de colocar na sua máquina irá depender os critérios seguintes:

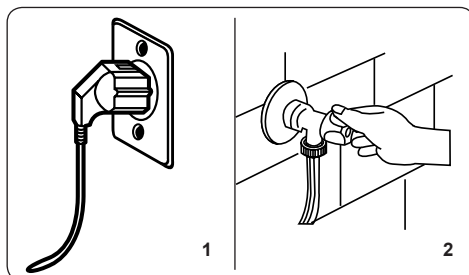
- Se as suas roupas estiverem pouco sujas, não faça pré-lavagem. Coloque uma pequena quantidade de detergente (tal como indicado pelo fabricante) no compartimento II da gaveta de detergente.
- Se as suas roupas estiverem muito sujas, selecione um programa com pré lavagem e coloque 1/4 do detergente a ser utilizado no compartimento da gaveta de detergente e o resto no compartimento II.
- Utilize detergentes produzidos para máquinas de lavar automáticas. Siga as instruções do fabricante quanto à quantidade de detergente que deve

usar.

- Em águas de água rígida, será necessário mais detergente.
- A quantidade de detergente necessário irá aumentar com cargas de roupa elevadas.
- Coloque o amaciador no compartimento do meio da gaveta de detergente. Não exceda no nível MAX.
- Amaciadores espessos poderão causar entupimento da gaveta e devem ser diluídos.
- É possível utilizar detergentes fluidos em todos os programas sem pré-lavagem. Para tal, insira o disco de nível de detergente líquido (\*) nas guias no compartimento II da gaveta de detergente. Utilize as linhas na placa como guia para encher a gaveta até ao nível necessário.

(\*) As especificações poderão variar dependendo da máquina adquirida.

### 5.4 Manusear a Máquina



1. Ligue a sua máquina à alimentação elétrica principal.
2. Ligue a alimentação da água.
  - Abra a porta da máquina.
  - Coloque a sua roupa na máquina, espalhando-a bem.
  - Empurre a porta ligeiramente até que oíça um clique.

### 5.5 Selecionar um Programa

Utilize as tabelas de programas para selecionar o programa mais adequado para a sua lavagem.

### 5.6 Sistema de Detecção de Meia Carga

A sua máquina dispõe de um sistema de deteção de meia carga.

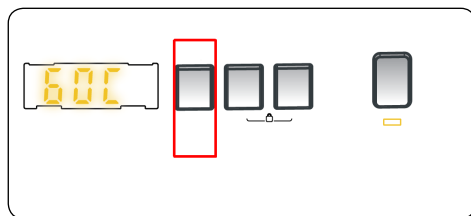
Se colocar menos de metade da carga máxima da roupa na sua máquina, a função de meia carga será configurado automaticamente, independentemente do programa que selecionou. Isto significa que o programa selecionado irá demorar menos tempo a completar e irá utilizar menos água e menos energia.

5.7 (\*) Dependente de modelo

## 5.8 Funções Adicionais

### 1. Seleção da temperatura

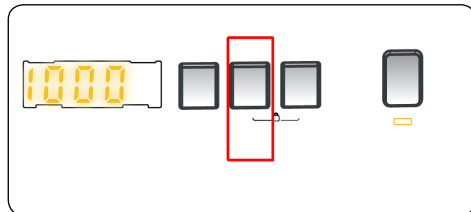
Utilize o botão de ajuste de temperatura de água de lavagem para alterar a temperatura de água de lavagem programada automaticamente.



Quando seleciona um programa, a velocidade máxima para esse programa é selecionada automaticamente. Para ajustar a temperatura, prima o botão de ajuste de temperatura de água até que a temperatura desejada seja exibida no ecrã digital.

Pode diminuir, gradualmente, a temperatura de água de lavagem entre a temperatura máxima da água de lavagem do programa selecionado e as seleções de lavagem a frio (- - C) premindo o botão de ajuste de temperatura.

### 2. Seleção de Velocidade de Centrifugação



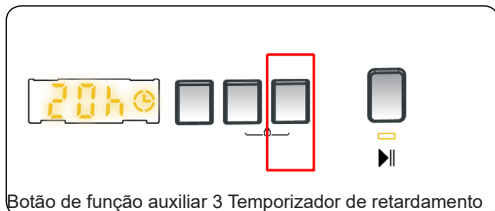
Quando seleciona um programa, a velocidade máxima de centrifugação é selecionada automaticamente.

Para ajustar a velocidade de centrifugação entre a velocidade de centrifugação

máxima e cancelar a opção de centrifugação (- - -), prima o botão Spin (Centrifugar) até que a velocidade desejada ser exibida.

Se tiver ignorado a velocidade de centrifugação que desejava configurar, prima continuamente o botão de ajuste de velocidade de centrifugação até que a velocidade de centrifugação desejada seja novamente exibida.

### 3. Temporizador de retardamento (\*)



Botão de função auxiliar 3 Temporizador de retardamento

Pode utilizar esta função auxiliar para retardar a hora de início do ciclo de lavagem durante 1 a 23 horas .

Para utilizar a função de retardamento:

- Prima uma vez a tecla de retardamento.
- A indicação "01h" será apresentada. Acender-se-á a indicação ☹ no visor eletrónico.
- Prima a tecla de retardamento até atingir a hora após a qual pretende que a máquina inicie o ciclo de lavagem.
- Se saltar a hora de retardamento que pretende definir, pode manter a tecla de retardamento premida até atingir novamente essa hora.
- Para utilizar a função de retardamento de tempo, tem de premir a tecla "Iniciar/Pausa" para iniciar a máquina.
- Se pretender cancelar o retardamento:

Se tiver premido a tecla "Iniciar/Pausa" para iniciar a máquina, apenas tem de premir a tecla de retardamento uma vez. A indicação ☹ irá apagar-se no visor eletrónico.

Se não tiver premido a tecla "Iniciar/Pausa", mantenha premida a tecla de retardamento até a indicação ☹ se apagar no visor eletrónico. A indicação ☹ irá apagar-se no visor eletrónico.

**NOTA:** Caso pretenda selecionar a funcionalidade de funções auxiliares, mas

o LED de funções auxiliares não estiver aceso, isso significa que a funcionalidade não está a ser utilizada no programa de lavagem que selecionou.

#### 4. Antialérgico(\*)

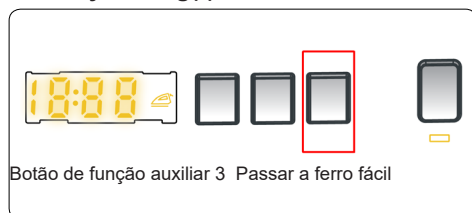


Botão de função auxiliar 3 Antialérgico

Pode adicionar uma operação de enxaguamento adicional à sua roupa utilizando esta função adicional. A sua máquina irá realizar todos os passos de enxaguamento com água quente. Recomendamos que esta configuração para roupa utilizada em pele delicada, roupa de bebé e roupa interior.

Para selecionar esta função, prima o botão Antialérgico quando o símbolo ☼ for exibido.

#### 5. Easy Ironing(\*)

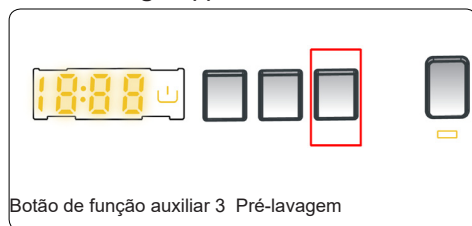


Botão de função auxiliar 3 Passar a ferro fácil

Utilizar esta função irá fazer com que a sua roupa fique menos amarrutada no final do programa de lavagem selecionado.

Para selecionar esta função, prima o botão Passar a Ferro Fácil quando o símbolo ☄ for exibido.

#### 6. Pré-lavagem(\*)

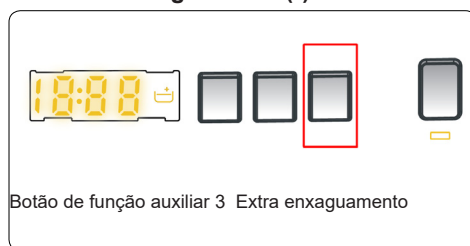


Botão de função auxiliar 3 Pré-lavagem

Esta função adicional permite-lhe fazer uma pré-lavagem à sua roupa muito suja antes de ocorrer o programa de lavagem principal. Aquando da utilização desta função,

coloque o detergente no compartimento de lavagem dianteiro da gaveta de detergente. Para selecionar esta função, prima o botão Pré-lavagem quando o símbolo 🪣 for exibido.

#### 7. Extra Enxaguamento(\*)

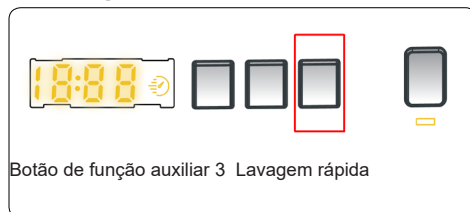


Botão de função auxiliar 3 Extra enxaguamento

Pode adicionar uma operação de enxaguamento adicional ao final do programa de lavagem selecionado utilizando esta função adicional.

Para selecionar esta função, prima o botão Extra Enxaguamento quando o símbolo 🪣 for exibido.

#### 8. Lavagem Rápida(\*)



Botão de função auxiliar 3 Lavagem rápida

Pode lavar a sua roupa num curto período de tempo utilizando menos energia e água selecionando esta função adicional.

Recomendamos que utilize esta opção apenas se for lavar menos de metade da carga máxima da máquina para o programa selecionado.

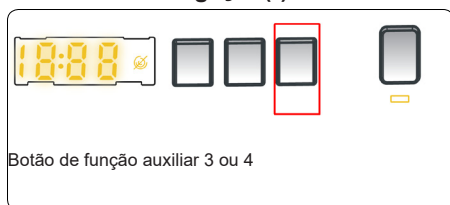
Para selecionar esta função, prima o botão Lavagem Rápida quando o símbolo ⚡ for exibido.

**NOTA:** Se colocar menos de metade da carga máxima da roupa na sua máquina, a função de meia carga será configurado automaticamente, independentemente do programa que selecionou. Isto significa que o programa selecionado irá demorar menos tempo a completar e irá utilizar menos água e menos energia. Quando a máquina detetar meia carga, o símbolo ⚡ é exibido automaticamente.




(\*) Dependente de modelo

## 9. Sem Centrifugação(\*)



Botão de função auxiliar 3 ou 4


Se não quiser que a sua roupa centrifugue no final do programa de lavagem selecionado, prima o botão  Sem Centrifugar quando o símbolo for exibido.

## 10. Lavagem a Frio(\*)



Auxiliary function button 3 Cold Wash

Pode configurar o programa de lavagem selecionado para utilizar água fria utilizando esta função adicional.

Para selecionar esta função, prima o botão Lavagem a Frio quando o símbolo  for exibido.

(\*) Dependente de modelo

## Botão Start/Pause



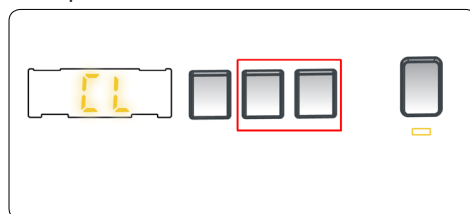
Para iniciar o programa selecionado, prima o botão Start/Pause Programa.

Se colocar a sua máquina em modo standby, o indicador de Start/Pause no ecrã eletrónico irá piscar.

## 5.9 Bloqueio Infantil

A função de Bloqueio Infantil permite-lhe bloquear os botões para que o ciclo de lavagem que selecionou não possa ser alterado sem intenção.

Para ativar o bloqueio infantil, prima e mantenha premido o botão 2 e 3 simultaneamente durante, pelo menos, 3 segundos. "CL" irá piscar no ecrã eletrónico durante 2 segundos quando o bloqueio infantil estiver ativado.



Se qualquer botão for premido ou o programa selecionado for alterado pelo marcador de programa enquanto o bloqueio infantil estiver ativado, o símbolo "CL" irá piscar no ecrã eletrónico durante 2 segundos.

Se a função de bloqueio infantil estiver ativada e estiver a correr um programa, quando o marcador de programa for colocado na posição CANCEL (CANCELAR) e outro programa for selecionado, o programa selecionado anteriormente continua a partir de onde parou.

Para desativar o bloqueio infantil, prima e mantenha premido o botão 2 e 3 simultaneamente durante, pelo menos, 3 segundos, até que o símbolo "CL" desapareça no ecrã eletrónico.

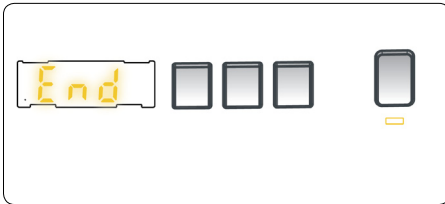
## 5.10 Cancelar o Programa

**Para cancelar um programa a correr em qualquer altura:**

1. Rode o marcador de programa para a posição "STOP".
2. A sua máquina irá parar a operação de lavagem e o programa será cancelado.
3. Rode o marcador de programa para qualquer outro programa para drenar a máquina.
4. A sua máquina irá realizar a operação de drenagem necessária e cancelar o programa.
5. Agora pode selecionar e correr um novo programa.



## 5.11 Fim de programa



A sua máquina irá parar sozinha assim que o programa que tiver selecionado terminar.

- “END” irá piscar no visor eletrónico.
- Pode abrir a porta da máquina e retirar a roupa.
- Deixe a porta da máquina aberta para permitir que a parte interior da mesma seque.
- Coloque o marcador de programa na posição STOP.
- Desligue a máquina.
- Feche a torneira da água.

## 6. TABELA DE PROGRAMAS

Programa	Temperatura de lavagem (°C)	Quantidade máxima de roupa seca (kg)	Gaveta de detergente	Duração do programa (Min.)	Tipo de roupa/descrições
ALGODÃO 60°	*60-90-80-70-40	9,0	2	230	Têxteis flexíveis e de algodão muito sujos. (Roupa interior, lençóis, roupa de mesa, toalhas (máximo 4,5 kg), roupa de cama, etc.)
ECO 40-60	*40 - 60	9,0	2	228	Têxteis flexíveis e algodão sujos. (Roupa interior, lençóis, roupa de mesa, toalhas (máximo 4,5 kg), roupa de cama, etc.)
Algodão de pré-lavagem	*60 - 50 - 40 - 30 - "- -C"	9,0	1&2	164	Têxteis flexíveis e algodão sujos. (Roupa interior, lençóis, roupa de mesa, toalhas (máximo 4,5 kg), roupa de cama, etc.)
ALGODÃO diário 20°	*20- "- -C"	4,5	2	96	Less dirty, cotton and linen textiles. (Underwear, bedsheet, tablecloth, towel (max.2,5 kg) bedcloth, etc.)
Algodão colorido	*40 - 30 - "- -C"	3,5	2	222	Less dirty, cotton and linen textiles. (Underwear, bedsheet, tablecloth, towel (max.2,5 kg) bedcloth, etc.)
Lã 30°	*30 - "- -C"	2,5	2	43	Roupas de lã com etiquetas de lavagem na máquina.
Enxaguar	** - -C"	9,0	-	30	Proporciona um enxaguamento adicional a qualquer tipo de roupa após o ciclo de lavagem.
Livre de alergia	*60 - 50 - 40 - 30 - "- -C"	4,0	2	197	Roupa de bebé
Centrifugação	** - -C"	9,0	-	17	Pode utilizar este programa para qualquer tipo de roupa, caso pretenda um passo de centrifugação adicional após o ciclo de lavagem.
DELICADO 30°	*30 - "- -C"	2,5	2	90	Roupa com recomendação para lavagem delicada ou à mão.

Programa	Temperatura de lavagem (°C)	Quantidade máxima de roupa seca (kg)	Gaveta de detergente	Duração do programa (Min.)	Tipo de roupa/descrições
SINTÉTICA 40°	*40 - 30 - "- -C"	3,5	2	110	Têxteis de mistura sintética ou muito sujos. (Meias de nylon, camisas, blusas, calças incluindo calças sintéticas, etc.)
EDREDON 40°	*40 - 30 - "- -C"	-	2	103	Pode lavar neste programa os edredões de fibra que têm etiqueta de laváveis à máquina (máximo 2,5 kg.)
Jeans / Escuro 30°	*30 - "- -C"	3,5	2	96	Itens pretos e escuros feitos de algodão, fibra mista ou jeans. Lave de dentro para fora., Jeans geralmente contém excesso de corante e pode ser executado durante as primeiras lavagens. Lave itens coloridos claros e escuros separadamente.
Rápido 60°/60°	*60 - 50 - 40 - 30 - "- -C"	4,0	2	60	Algodão, roupa de cor e têxteis de cama sujos lavados a 60 °C em 60 minutos.
(***) Rápido 15°/30°	*30 - "- -C"	2,0	2	15	Em um curto espaço de tempo de 15 minutos, tecidos levemente sujos, de algodão, coloridos e de linho podem ser lavados.

**NOTA:** A DURAÇÃO DO PROGRAMA PODERÁ ALTERAR-SE DE ACORDO COM A QUANTIDADE DE ROUPA, ÁGUA DA TORNEIRA, TEMPERATURA AMBIENTE E FUNÇÕES ADICIONAIS SELECIONADAS.

(\*) A temperatura da água de lavagem do programa é a da predefinição de fábrica.

(\*\*) Se a máquina tiver a função auxiliar de lavagem rápida, pode ativar essa opção no painel do visor e carregar a máquina com, no máximo, 2 kg de roupa para uma lavagem de 30 minutos.

(\*\*\*) Devido ao tempo de lavagem curto deste programa, recomendamos que seja utilizado menos detergente. O programa poderá durar mais de 15 minutos se a sua máquina detetar uma carga irregular. Pode abrir a porta da sua máquina 2 minutos após a conclusão da operação de lavagem. (O período de 2 minutos não está incluído na duração do programa).

De acordo com os Regulamentos 1015/2010 e 1061/2010, os programas 1 e 2 são, respetivamente, o "Programa de algodão 60 °C predefinido" e o "Programa de algodão 40 °C predefinido".

O programa Eco 40–60 consegue lavar no mesmo ciclo várias peças de algodão com sujidade normal e que possam ser lavadas a 40 °C ou 60 °C. Além disso, este programa é utilizado para avaliar a conformidade com a legislação europeia "Conceção Ecológica".

- Normalmente, os programas mais eficientes em termos de consumo energético são aqueles que funcionam com temperaturas mais reduzidas e durante mais tempo.
- Carregar a máquina de lavar até à capacidade indicada pelo fabricante para os respetivos programas irá ajudar a poupar energia e água.
- A duração do programa e os valores relativos ao consumo energético e de água poderão variar consoante o peso e tipo da carga, funções adicionais selecionadas, a água da torneira e a temperatura ambiente..
- Recomenda-se a utilização de detergente líquido para programas de lavagem a uma temperatura reduzida. A quantidade de detergente a ser utilizada poderá variar consoante a quantidade de roupa e o nível de sujidade da mesma. Respeite as recomendações do fabricante do detergente relativamente à quantidade a ser utilizada.
- O ruído e o teor de humidade remanescente são influenciados pela velocidade de centrifugação. Quanto mais elevada for a velocidade de centrifugação durante essa fase, maior será o ruído e menor será o teor de humidade remanescente.
- Para aceder à base de dados do produto em que são armazenadas as informações relativas ao modelo, basta ler o código QR no rótulo energético.

Nome do programa	Capacidade nominal kg	Consumo energético kWh/ciclo			Duração do programa Horas: minutos			Consumo de água Litros/ciclo			Temperatura máx. °C			Teor de humidade remanescente % 1400 Rpm		
		Capacidade nominal	1/2 carga	1/4 carga	Capacidade nominal	1/2 carga	1/4 carga	Capacidade nominal	1/2 carga	1/4 carga	Capacidade nominal	1/2 carga	1/4 carga	Capacidade nominal	1/2 carga	1/4 carga
Algodão 90°	9	2,4			03:13			84			81			53%		
Algodão 60°	9	1,35			03:50			57			57			53%		
Eco 40-60	9	1,26	0,71	0,36	03:48	02:54	02:54	57	48	36	45	36	26	53%	53%	53%
SINTÉTICA 40°	3,5	0,57			01:50			50			42			53%		
Rápido 60/160°	4	1,11			01:00			35			58			53%		
Algodão diário 20°	4,5	0,21			01:36			53			20			53%		

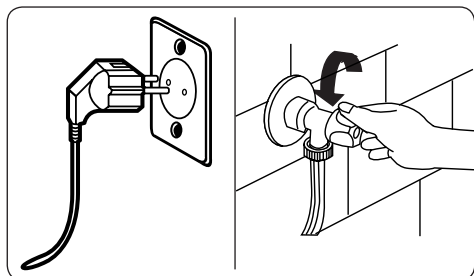
## 6.1 Informação importante

- Utilizar apenas detergentes, amaciadores e outros aditivos adequados para máquinas de lavar automáticas. Caso contrário, poderá ocorrer um excesso de espuma, sendo necessário ativar o sistema de absorção de espuma automático devido a uma utilização excessiva de detergente.
- Recomendamos uma limpeza periódica da máquina de lavar a cada 2 meses. Para uma limpeza periódica, utilizar o programa Limpeza do tambor. Se a sua máquina não incluir o programa Limpeza do tambor, utilize o programa Algodão 90. Quando necessário, utilize apenas descalcificadores fabricados especificamente para máquinas de lavar.
- Nunca force a abertura da porta quando a sua máquina de lavar está em funcionamento. Pode abrir a porta da máquina 2 minutos após a operação de lavagem ter sido concluída. \*
- Nunca force a abertura da porta quando a sua máquina de lavar está em funcionamento. A porta abre imediatamente após o ciclo de lavagem ter sido concluído. \*
- Os procedimentos de instalação e reparação devem ser sempre realizados pelo agente de serviço autorizado, de modo a evitar eventuais riscos. O fabricante não será responsável por danos que possam surgir de procedimentos realizados por pessoas não autorizadas.

(\*) As especificações poderão variar dependendo da máquina adquirida.

## 7. LIMPEZA E MANUTENÇÃO

### 7.1 Aviso



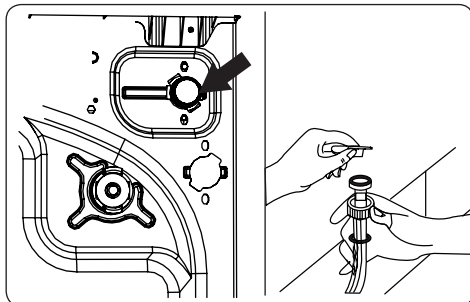
Desligue a alimentação elétrica principal e retire a ficha da tomada antes de realizar a manutenção e a limpeza da sua máquina.

Desligue a alimentação da água antes de iniciar a manutenção e a limpeza da sua máquina.

**⚠ CUIDADO:** Não utilize solventes, detergentes abrasivos, limpa-vidros ou agentes de limpeza multiusos para limpar a sua máquina de lavar. Estes podem danificar as superfícies de plástico e outros componentes com os químicos que contêm.

### 7.2 Filtros de entrada de água

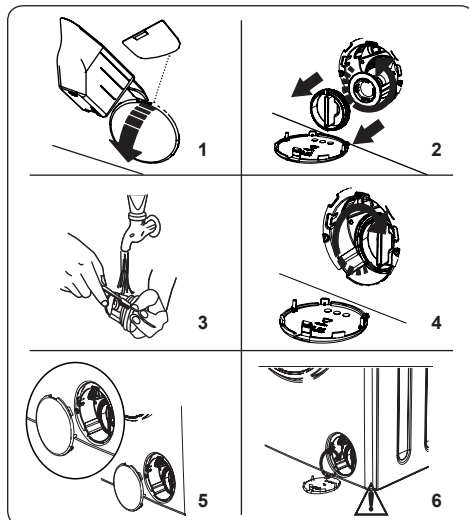
Os filtros de entrada de água evitam que sujidade e materiais estranhos entrem na máquina. Recomendamos que estes filtros sejam limpos quando a sua máquina não conseguir receber água suficiente, apesar de a sua alimentação de água estar ligada e a torneira aberta. Recomendamos que limpe os seus filtros de entrada de água a cada 2 meses.



- Desaparafuse a(s) mangueira(s) de entrada de água da máquina de lavar.
- Para remover o filtro de entrada de água da válvula de entrada de água, utilize alicate de pontas para puxar, com cuidado, a barra de plástico no filtro.
- Um segundo filtro de entrada de água localiza-se na extremidade da torneira da mangueira de entrada de água. Para remover o segundo filtro de entrada de água, utilize alicate de pontas para puxar, com cuidado, a barra de plástico no filtro.
- Limpe o filtro adequadamente com uma escova suave e lave com água com sabão e enxague adequadamente. Volte a inserir o filtro empurrando devagar para o lugar.

**⚠ CUIDADO:** Os filtros na válvula de entrada de água poderão ficar entupidos devido à qualidade da água ou à falta de manutenção adequada e poderão ficar danificados. Isto poderá causar fugas de água. Quaisquer erros estão fora do âmbito da garantia.

### 7.3 Filtro da bomba



O sistema do filtro da bomba na sua máquina de lavar prolonga a vida da bomba evitando que cotão entre na sua máquina.

Recomendamos que limpe o filtro da bomba a cada 2 meses.

O filtro da bomba localiza-se atrás da tampa no canto inferior direito.

Para limpar o filtro da bomba:

1. Poderá utilizar a pá de detergente (\*) fornecida com a sua máquina ou a placa de nível de detergente líquido para abrir a tampa da bomba.
  2. Alojje a extremidade da pá de detergente ou placa de nível de detergente líquido na abertura da tampa e prima, com cuidado, para trás. A tampa irá abrir.
- Antes de abrir a tampa do filtro, coloque um recipiente debaixo da tampa do filtro para recolher toda a água que ainda estiver dentro da máquina.
  - Retire o filtro rodando no sentido dos ponteiros do relógio e remova-o puxando. Aguarde até que a água drene.

**NOTA:** Dependendo da quantidade de água dentro da máquina, poderá ter de esvaziar algumas vezes o recipiente de recolha de água.

3. Remova quaisquer materiais

estranhos do filtro com uma escova suave.

4. Após a limpeza, volte a instalar o filtro inserindo-o e rodando no sentido dos ponteiros do relógio.
5. Aquando do fecho da tampa da bomba, certifique-se de que as montagens dentro da tampa cumprem com os orifícios na lateral do painel dianteiro.
6. Feche a tampa do filtro.

**AVISO:** A água na bomba poderá estar quente, aguarde até que tenha arrefecido antes de realizar qualquer limpeza ou manutenção.

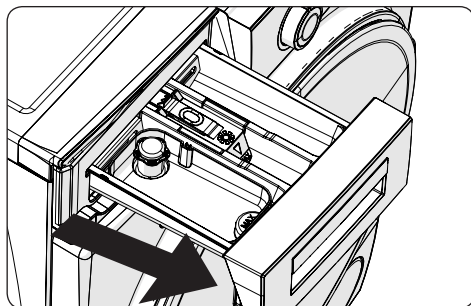
(\*) As especificações poderão variar dependendo da máquina adquirida.

### 7.4 Gaveta de detergente

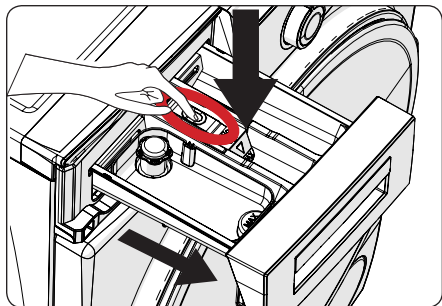
A utilização de detergente poderá causar, com o decorrer do tempo, acumulação residual na gaveta. Recomendamos que remova a gaveta a cada 2 meses para limpar os resíduos acumulados.

Para remover a gaveta do detergente:

- Puxe a gaveta para a frente até que esteja totalmente aberta.



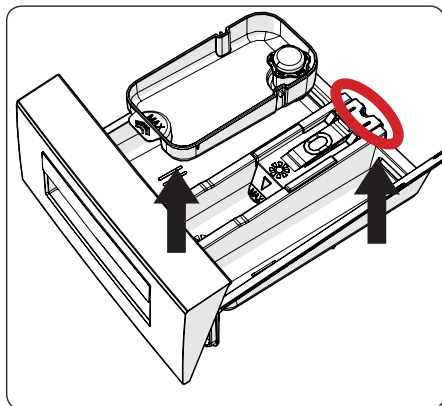
Prima a gaveta gentilmente para baixo (tal como indicado abaixo) e puxe a gaveta do revestimento.



- Se existir algum resíduo no revestimento da gaveta, remova com uma escova suave. Tome cuidado para evitar que quaisquer resíduos caiam na máquina.
- Seque a gaveta adequadamente e deslize-a de novo para o revestimento.

**! Não lave a sua gaveta de detergente na máquina de lavar loiça.**

## 7.5 TAMBOR/BASE/TRAVÃO DE DESCARGA

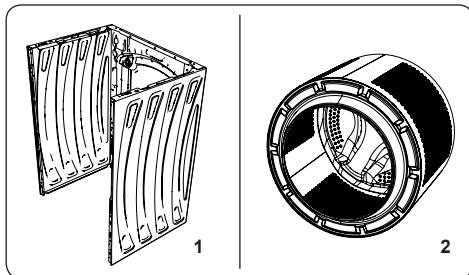


### Travão de descarga(\*)

Remova a gaveta do detergente e desmonte o travão de descarga. Limpe adequadamente para remover, na totalidade, quaisquer resíduos de amaciador. Volte a instalar o travão de descarga após limpar e verifique se está bem assente.

(\*) As especificações poderão variar dependendo da máquina adquirida.

## 8. Corpo / Tambor



### 1. Corpo

Utilize um agente de limpeza não abrasivo, ou sabão e água, para limpar o revestimento externo. Limpe com um pano suave.

### 2. Tambor

Não deixe objetos metálicos como por exemplo, agulhas, clips de papel, moedas, etc. na sua máquina. Estes objetos levam à formação de manchas de ferrugem no tambor. Para limpar as manchas de ferrugem, utilize um agente de limpeza não-clorada e siga as instruções do fabricante do agente de limpeza. Nunca utilize palha de aço ou objetos rígidos similares para limpar manchas de ferrugem.



## 9. RESOLUÇÃO DE PROBLEMAS

A reparação da sua máquina deverá ser realizada por um agente de manutenção autorizada. Se a sua máquina necessitar de reparação ou se não conseguir resolver um problema com as informações indicadas abaixo, então deverá:

- Desligar a sua máquina da alimentação elétrica principal.
- Desligue a alimentação da água.

FALHA	CAUSA PROVÁVEL	RESOLUÇÃO DE PROBLEMAS
A sua máquina não arranca.	Máquina está ligada à tomada.	Ligue a máquina à tomada.
	Fusíveis avariados.	Substitua os fusíveis.
	Sem alimentação elétrica.	Verifique a alimentação elétrica.
	Botão Start/Pause não foi premido.	Prima o botão Start/Pause.
	Programa de posição de marcação "stop"	Rode o marcador de programa para a posição desejada.
	A porta da máquina não está bem fechada.	Feche a porta da máquina.
A sua máquina não recebe água.	A torneira da água está fechada.	Abra a torneira da água.
	A mangueira de entrada de água poderá estar torcida.	Verifique a entrada de água e destorça-a.
	Mangueira de entrada de água entupida.	Limpe os filtros da mangueira de entrada de água.
	Filtro de entrada entupido.	Limpe os filtros de entrada. (*)
	A porta da máquina não está bem fechada.	Feche a porta da máquina.
A sua máquina não descarrega água.	Drene a mangueira entupida ou torcida.	Verifique a mangueira de descarga e depois limpe-a ou destorça-a.
	Filtro da bomba entupido.	Limpe o filtro da bomba. (*)
	A roupa está muito apertada no tambor.	Coloque a sua roupa na máquina, espalhando-a bem.
A sua máquina vibra.	Os pés não foram ajustados.	Ajuste os pés. (**)
	Os parafusos instalados de transporte não foram removidos.	Remova os parafusos de transporte da sua máquina. (**)
	Pouca carga no tambor.	Isto não irá evitar a operação da sua máquina.
	A sua máquina está sobrecarregada com roupa ou a roupa não foi distribuída adequadamente.	Não sobrecarregue o tambor. Coloque a sua roupa na máquina, espalhando-a bem.
	A sua máquina assenta numa superfície rígida.	Não instale a sua máquina numa superfície rígida.
Forma-se um excesso de espuma na gaveta de detergente.	Utiliza uma quantidade excessiva de detergente.	Prima o botão Start/Pause. Para parar a espuma, dilua uma colher de sopa de amaciador em 1/2 litro de água e coloque na gaveta de detergente. Prima o botão Start/Pause após 5 a 10 minutos
	Foi utilizado o detergente errado.	Utilize detergentes produzidos para máquinas de lavar automáticas.
Resultado de lavagem insatisfatório.	A roupa está demasiadamente suja para o programa que selecionou.	Utilize as informações nas tabelas de programas para selecionar o programa mais adequado.
	Utiliza uma quantidade insuficiente de detergente.	Utilize a quantidade de detergente tal como indicado na embalagem
	Existe demasiada roupa na sua máquina.	Verifique se a capacidade máxima de carga para o programa selecionado não foi excedida.

FALHA	CAUSA PROVÁVEL	RESOLUÇÃO DE PROBLEMAS
Resultado de lavagem insatisfatório.	Água rígida.	Aumente a quantidade de detergente seguindo as instruções do fabricante.
	A roupa está muito apertada no tambor.	Certifique-se de que a roupa está bem espalhada.
Assim que a máquina estiver carregada com água, a água descarrega.	A extremidade da mangueira de descarga de água é demasiado baixa para a máquina.	Verifique se a mangueira de drenagem está a uma altura adequada. (**).
Não surge água no tambor durante a lavagem.	Sem avaria. Não é vista água em parte alguma do tambor.	.....
A roupa tem resíduos de detergente.	Poderão surgir partículas não dissolvidas de alguns detergentes na sua roupa em forma de manchas brancas.	Faça um enxaguamento extra ou limpe a sua roupa com uma escova após secar
Manchas cinzentas surgem na roupa.	Existe óleo, creme ou pomada na sua roupa.	Utilize a quantidade de detergente tal como indicado na embalagem na próxima lavagem
O ciclo de centrifugação não ocorre ou ocorre mais tarde do que o esperado.	Sem avaria. O sistema de controlo de carga desequilibrada foi ativado.	O sistema de controlo de carga desequilibrado tentará espalhar a sua roupa. O ciclo de centrifugação irá começar assim que a roupa estiver bem espalhada. Carregue o tambor adequadamente para a próxima lavagem.

(\*) Consultar o capítulo relativamente a manutenção e limpeza da sua máquina.

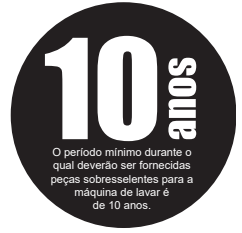
(\*) Consultar o capítulo relativamente à instalação da sua máquina.

## 10. AVISOS AUTOMÁTICOS DE AVARIA E O QUE FAZER

A sua máquina de lavar roupa está equipada com um sistema de deteção de avarias de fábrica, indicado por uma combinação de luzes de operação de lavagem a piscar. Os códigos de erro mais comuns são indicados abaixo.

CÓDIGO DO PROBLEMA	AVARIA POSSÍVEL	O QUE FAZER
E01	A porta da sua máquina não fecha corretamente.	Feche a porta adequadamente até que oíça um clique. Se a sua máquina continuar a indicar uma avaria, desligue a máquina, desligue a ficha da tomada e contacte o agente de reparação autorizado mais próximo imediatamente.
E02	A pressão de água ou o nível de água dentro da máquina poderá ser baixo.	Verifique se a torneira está aberta. A água principal poderá estar cortada. Se o problema persistir, a sua máquina irá parar automaticamente após algum tempo. Desligue a máquina da eletricidade, feche a torneira e contacte o agente de reparação autorizado mais próximo.
E03	A bomba está avariada ou o filtro da bomba está entupido ou a ligação elétrica da bomba está avariada.	Limpe o filtro da bomba. Se o problema persistir, contacte o agente de reparação autorizado mais próximo. (*)
E04	A sua máquina tem água em excesso.	A sua máquina irá descarregar a água por si. Assim que água tiver sido drenado, desligue a máquina e desligue a ficha da tomada. Feche a torneira e contacte o agente de reparação autorizado mais próximo.

(\*) Consultar o capítulo relativamente a manutenção e limpeza da sua máquina.



<https://www.voxelectronics.com>  
[callcenter@voxelectronics.com](mailto:callcenter@voxelectronics.com)



55555555

