



ENG

SRP

HRV/
BOS

SLV

MKD

POR

KS2830E / KS2830SE

OPERATING INSTRUCTIONS FRIDGE
UPUTSTVO ZA UPOTREBU FRIŽIDER
UPUTE ZA UPORABU HLADNJAK
NAVODILA ZA UPORABO HLADILNIK
УПАТСТВА ЗА РАКУВАЊЕ ЛАДИЛНИК
PRIRUČNIK ZA KORISNIKA ZAMRZIVAČ



EN	FIRE !	Warning; Risk of fire / flammable materials
SB	POŽAR !	Upozorenje; Rizik od požara / zapaljivih materijala
HR	POŽAR !	Upozorenje; Opasnost od požara / zapaljivi materijali
SL	POŽAR !	Opozorilo; nevarnost požara/vnetljivi materiali
MK	ОГАН !	Предупредување; Опасност од пожар / запаливи материјали
PT	INCÊNDIO !	Aviso; Risco de incêndio/materiais inflamáveis



ENG

KS2830F / KS2830SF

OPERATING INSTRUCTIONS FRIDGE

CONTENTS

1 SAFETY INSTRUCTIONS	4
1.1 General Safety Warnings	4
1.2 Installation warnings	8
1.3 During Usage.....	8
2 DESCRIPTION OF THE APPLIANCE	10
2.1 Dimensions.....	11
3 USING THE APPLIANCE	12
3.1 Thermostat Setting	12
3.2 Temperature Settings Warnings	12
4 FOOD STORAGE	13
5 CLEANING AND MAINTENANCE	14
5.1 Defrosting	15
6 SHIPMENT AND REPOSITIONING.....	15
6.1 Transportation and Changing Positioning	15
6.2 Repositioning the Door.....	15
7 BEFORE CALLING AFTER-SALES SERVICE.....	16
8 TIPS FOR SAVING ENERGY	17
9 TECHNICAL DATA	17
10 INFORMATION FOR TEST INSTITUTES.....	18
11 CUSTOMER CARE AND SERVICE.....	18

1 SAFETY INSTRUCTIONS

1.1 General Safety Warnings

Read this user manual carefully.

⚠ WARNING: Keep ventilation openings, in the appliance enclosure or in the built-in structure, clear of obstruction.

⚠ WARNING: Do not use mechanical devices or other means to accelerate the defrosting process, other than those recommended by the manufacturer.

⚠ WARNING: Do not use electrical appliances inside the food storage compartments of the appliance, unless they are of the type recommended by the manufacturer.

⚠ WARNING: Do not damage the refrigerant circuit.

⚠ WARNING: When positioning the appliance, ensure the supply cord is not trapped or damaged.

⚠ WARNING: Do not locate multiple portable socket-outlets or portable power supplies at the rear of the appliance.

⚠ WARNING: In order to avoid any hazards resulting from the instability of the appliance, it must be fixed in accordance with the instructions.

⚠ If your appliance uses R600a as a refrigerant (this information will be provided on the label of the cooler) you should take care during transportation and installation to prevent the cooler elements from being damaged. R600a is an environmentally friendly and

natural gas, but it is explosive. In the event of a leak due to damage of the cooler elements, move your fridge away from open flames or heat sources and ventilate the room where the appliance is located for a few minutes.

- While carrying and positioning the fridge, do not damage the cooler gas circuit.
- Do not store explosive substances such as aerosol cans with a flammable propellant in this appliance.
- This appliance is intended to be used in household and domestic applications such as:
 - staff kitchen areas in shops, offices and other working environments.
 - farm houses and by clients in hotels, motels and other residential type environments.
 - bed and breakfast type environments;
 - catering and similar non-retail applications.
- If the socket does not match the refrigerator plug, it must be replaced by the manufacturer, a service agent or similarly qualified persons in order to avoid a hazard.
- A specially grounded plug has been connected to the power cable of your refrigerator. This plug should be used with a specially grounded socket of 16 amperes. If there is no such socket in your house, please have one installed by an authorised electrician.

- This appliance can be used by children aged from 8 years and above and persons with reduced physical, sensory or mental capabilities or lack of experience and knowledge if they have been given supervision or instruction concerning use of the appliance in a safe way and understand the hazards involved. Children shall not play with the appliance. Cleaning and user maintenance shall not be made by children without supervision.
- Children aged from 3 to 8 years are allowed to load and unload refrigerating appliances. Children are not expected to perform cleaning or user maintenance of the appliance, very young children (0-3 years old) are not expected to use appliances, young children (3-8 years old) are not expected to use appliances safely unless continuous supervision is given, older children (8-14 years old) and vulnerable people can use appliances safely after they have been given appropriate supervision or instruction concerning use of the appliance. Very vulnerable people are not expected to use appliances safely unless continuous supervision is given.
- If the supply cord is damaged, it must be replaced by the manufacturer, an authorised service agent or similar qualified persons, in order to avoid a hazard.
- This appliance is not intended for use at altitudes exceeding 2000 m.

To avoid contamination of food, please respect the following instructions:

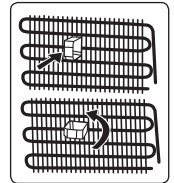
- Opening the door for long periods can cause a significant increase of the temperature in the compartments of the appliance.
- Clean regularly surfaces that can come in contact with food and accessible drainage systems
- Store raw meat and fish in suitable containers in the refrigerator, so that it is not in contact with or drip onto other food.
- Two-star frozen-food compartments are suitable for storing pre-frozen food, storing or making ice cream and making ice cubes.
- One-, two- and three-star compartments are not suitable for the freezing of fresh food.
- If the refrigerating appliance is left empty for long periods, switch off, defrost, clean, dry, and leave the door open to prevent mould developing within the appliance.

1.2 Installation warnings

Before using your fridge for the first time, please pay attention to the following points:

- The operating voltage for your fridge is 220-240 V at 50Hz.
- The plug must be accessible after installation.
- Your fridge may have an odour when it is operated for the first time. This is normal and the odour will fade when your fridge starts to cool.
- Before connecting your fridge, ensure that the information on the data plate (voltage and connected load) matches that of the mains electricity supply. If in doubt, consult a qualified electrician.
- Insert the plug into a socket with an efficient ground connection. If the socket has no ground contact or the plug does not match, we recommend you consult a qualified electrician for assistance.
- The appliance must be connected with a properly installed fused socket. The power supply (AC) and voltage at the operating point must match with the details on the name plate of the appliance (the name plate is located on the inside left of the appliance).
- We do not accept responsibility for any damages that occur due to ungrounded usage.
- Place your fridge where it will not be exposed to direct sunlight.
- Your fridge must never be used outdoors or exposed to rain.
- Your appliance must be at least 50 cm away from stoves, gas ovens and heater cores, and at least 5 cm away from electrical ovens.
- If your fridge is placed next to a deep freezer, there must be at least 2 cm between them to prevent humidity forming on the outer surface.
- Do not cover the body or top of fridge with lace. This will affect the performance of your fridge.

- Clearance of at least 150 mm is required at the top of your appliance. Do not place anything on top of your appliance.
- Do not place heavy items on the appliance.
- Clean the appliance thoroughly before use (see Cleaning and Maintenance).
- Before using your fridge, wipe all parts with a solution of warm water and a teaspoon of sodium bicarbonate. Then, rinse with clean water and dry. Return all parts to the fridge after cleaning.
- Use the adjustable front legs to make sure your appliance is level and stable. You can adjust the legs by turning them in either direction. This must be done before placing food in the appliance.
- Install the two plastic distance guides (the parts on the black vanes -condenser- at the rear) by turning it 90° (as shown in the figure) to prevent the condenser from touching the wall.
- The distance between the appliance and back wall must be a maximum of 75 mm.

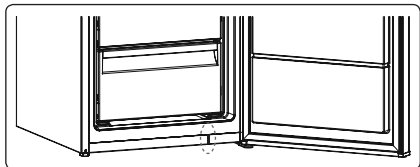


1.3 During Usage

- Do not connect your fridge to the mains electricity supply using an extension lead.
- Do not use damaged, torn or old plugs.
- Do not pull, bend or damage the cord.
- Do not use plug adapter.
- This appliance is designed for use by adults. Do not allow children to play with the appliance or hang off the door.
- Never touch the power cord/plug with wet hands. This may cause a short circuit or electric shock.
- Do not place explosive or flammable material in your fridge. Place drinks with high alcohol content vertically in the fridge compartment and make sure their tops are tightly closed.

When the door of the freezer is closed, a vacuum seal will form. Wait for 1 minute before reopening it.

This application is optional for easy opening of the door. With this application, a little condensation may occur around this area and you may remove it.



Old and Out-of-order Fridges

- If your old fridge or freezer has a lock, break or remove the lock before discarding it, because children may get trapped inside it and may cause an accident.
- Old fridges and freezers contain isolation material and refrigerant with CFC. Therefore, take care not to harm environment when you are discarding your old fridges.

CE Declaration of conformity

We declare that our products meet the applicable European Directives, Decisions and Regulations and the requirements listed in the standards referenced.

Disposal of your old appliance

The symbol on the product or on its packaging indicates that this product may not be treated as household waste. Instead it shall be handed over to the applicable collection point for the recycling of electrical and electronic equipment. By ensuring this product is disposed of correctly, you will help prevent potential negative consequences for the environment and human health, which could otherwise be caused by inappropriate waste handling of this product. For more detailed information about recycling of this product, please contact your local city office, your household waste disposal service or the shop where you purchased the product.



Packaging and the Environment

Packaging materials protect your machine from damage that may occur during transportation.



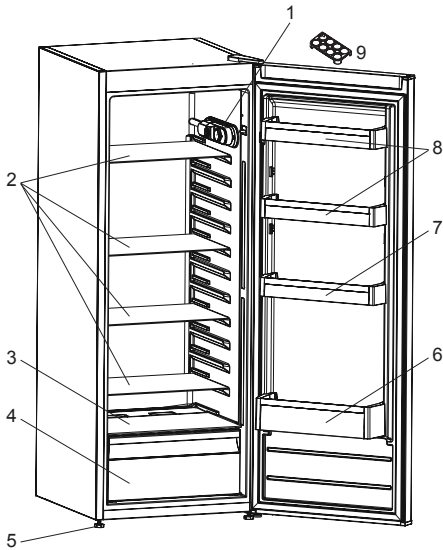
The packaging materials are environmentally friendly as they are recyclable. The use of recycled material reduces raw material consumption and therefore decreases waste production.


Notes:

- Please read the instruction manual carefully before installing and using your appliance. We are not responsible for the damage occurred due to misuse.
- Follow all instructions on your appliance and instruction manual, and keep this manual in a safe place to resolve the problems that may occur in the future.
- This appliance is produced to be used in homes and it can only be used in domestic environments and for the specified purposes. It is not suitable for commercial or common use. Such use will cause the guarantee of the appliance to be cancelled and our company will not be responsible for any losses incurred.
- This appliance is produced to be used in houses and it is only suitable for cooling / storing foods. It is not suitable for commercial or common use and/or for storing substances except for food. Our company is not responsible for any losses incurred by inappropriate usage of the appliance.

2 DESCRIPTION OF THE APPLIANCE

This appliance is not intended to be used as a built-in appliance.



 This presentation is only for information about the parts of the appliance. Parts may vary according to the appliance model.

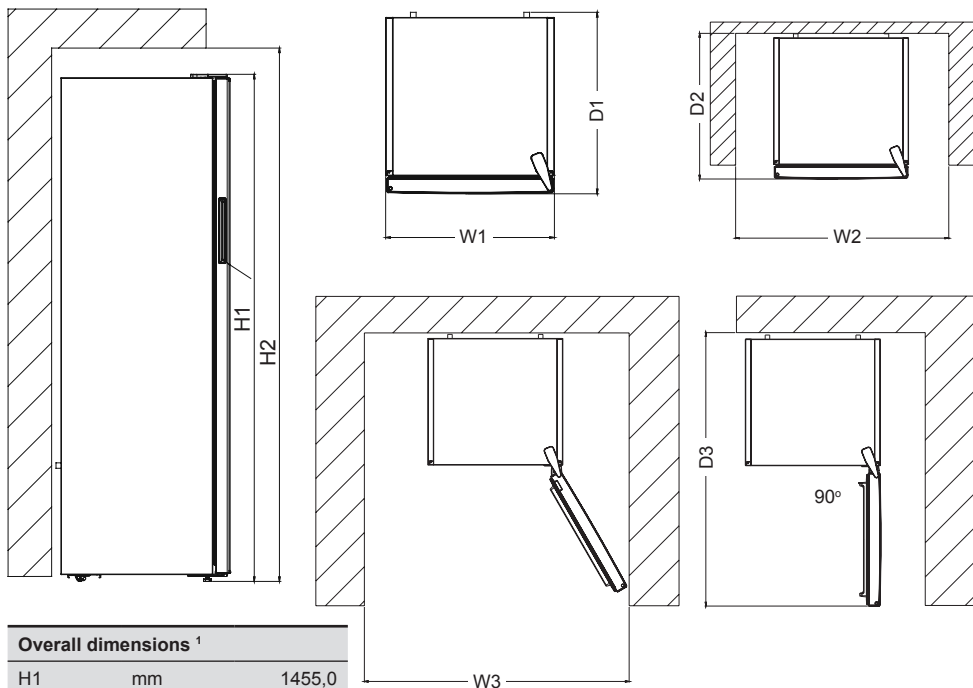
- 1) Thermostat knob
- 2) Refrigerator shelves
- 3) Crisper cover
- 4) Crisper
- 5) Levelling feet
- 6) Bottle shelf
- 7) Adjustable door shelf * / Door shelf
- 8) Door shelves
- 9) Egg holder

** In some models*

General notes:

Fresh Food Compartment (Fridge): Most efficient use of energy is ensured in the configuration with the drawers in the bottom part of the appliance, and shelves evenly distributed, position of door bins does not affect energy consumption.

2.1 Dimensions



Overall dimensions ¹		
H1	mm	1455,0
W1	mm	540,0
D1	mm	595,0

¹ the height, width and depth of the appliance without the handle.

Space required in use ²		
H2	mm	1605,0
W2	mm	640,0
D2	mm	692,8

² the height, width and depth of the appliance including the handle, plus the space necessary for free circulation of the cooling air.

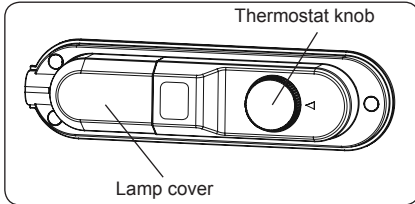
Overall space required in use ³		
W3	mm	659,8
D3	mm	1142,3

³ the height, width and depth of the appliance including the handle, plus the space necessary for free circulation of the cooling air, plus the space necessary to allow door opening to the minimum angle permitting removal of all internal equipment.

3 USING THE APPLIANCE

3.1 Thermostat Setting

The fridge thermostat automatically regulates the temperature of the compartment. Fridge temperatures can be obtained by rotating the knob to higher numbers, 1 to 5.



Thermostat Settings

- Set the knob to a low/medium position, up to 3, for short-term storage of food in the appliance.
- Set the knob to a medium position, 3 or 4, for long-term storage of food in the appliance.
- For long-term storage of food in the refrigerator, you can set knob maximum position (4 - 5).

3.2 Temperature Settings Warnings

- The ambient temperature, temperature of the freshly stored food and how often the door is opened affects the temperature in the fridge. If required, change the temperature setting.
- It is not recommended that you operate your fridge in environments colder than 10°C in terms of its efficiency.
- When setting the thermostat, take into consideration how often the appliance door is opened and closed, how much food is stored in the refrigerator, and the environment in which the refrigerator is located.
- When the appliance is first switched on, allow it to run for 24 hours in order to reach operating temperature. During this time, do not open the door and do not keep a large quantity of food inside.

- Unplug your appliance during a power cut to prevent damage to the compressor. Once power is restored, delay plugging in your appliance for 5 to 10 minutes. This will help prevent damage to the appliance's components.
- Your appliance is designed to operate in the ambient temperature ranges stated in the standards, according to the climate class stated in the information label. It is not recommended that your fridge is operated in the environments which are outside of the stated temperature ranges. This will reduce the cooling efficiency of the appliance.
- Larders (coolers) have not any freezer compartment but can cool up to 4-6°C.
- Your appliance is designed to operate in the ambient temperature (N = 16°C - 32°C) intervals stated in the standards, according to the climate class displayed on the information label. We do not recommend operating your appliance out of the stated temperature limits in terms of cooling effectiveness.

Climate class and meaning:

T (tropical): This refrigerating appliance is intended to be used at ambient temperatures ranging from 16 °C to 43 °C.

ST (subtropical): This refrigerating appliance is intended to be used at ambient temperatures ranging from 16 °C to 38 °C.

N (temperate): This refrigerating appliance is intended to be used at ambient temperatures ranging from 16 °C to 32 °C.

SN (extended temperate): This refrigerating appliance is intended to be used at ambient temperatures ranging from 10 °C to 32 °C.

4 FOOD STORAGE

- To reduce humidity and avoid the consequent formation of frost, always store liquids in sealed containers in the refrigerator. Frost tends to concentrate in the coldest parts of the evaporating liquid and, in time, your appliance will require more frequent defrosting.
- Never place warm food in the refrigerator. Warm food should be allowed to cool at room temperature and should be arranged to ensure adequate air circulation in the refrigerator compartment.
- Make sure no items are in direct contact with the rear wall of the appliance as frost will develop and packaging will stick to it. Do not open the refrigerator door frequently.
- We recommend that meat and clean fish are loosely wrapped and stored on the glass shelf just above the vegetable bin where the air is cooler, as this provides the best storage conditions.
- Store loose fruit and vegetable items in the crisper containers.
- Store loose fruit and vegetables in the crisper.
- Storing fruit and vegetables separately helps prevent ethylene-sensitive vegetables (green leaves, broccoli, carrot, etc.) being affected by ethylene-releaser fruits (banana, peach, apricot, fig etc.).
- Do not put wet vegetables into the refrigerator.
- Storage time for all food products depends on the initial quality of the food and an uninterrupted refrigeration cycle before refrigerator storage.
- To avoid cross-contamination do not store meat products with fruit and vegetables. Water leaking from meat may contaminate other products in the refrigerator. You should package meat products and clean any leakages on the shelves.

- Do not put food in front of the air flow passage.
- Consume packaged foods before the recommended expiry date.






- NOTE:** Potatoes, onions and garlic should not be stored in the refrigerator.
- For normal working conditions, it will be sufficient to adjust the temperature setting of your refrigerator to +4 °C.
 - The temperature of the fridge compartment should be in the range of 0-8 °C, fresh foods below 0 °C are iced and rotted, bacterial load increases above 8 °C, and spoils.
 - Do not put hot food in the refrigerator immediately, wait for the temperature to pass outside. Hot foods increase the degree of your refrigerator and cause food poisoning and unnecessary spoiling of the food.
 - Meat, fish, etc. should be store in the chiller compartment of the food, and the vegetable compartment is preferred for vegetables. (if available)
 - To prevent cross contamination, meat products and fruit vegetables are not stored together.
 - Foods should be placed in the refrigerator in closed containers or covered to prevent moisture and odors.

The table below is a quick guide to show you the most efficient way to store the major food groups in your refrigerator compartment.

Food	Maximum storage time	How and where to store
Vegetables and fruits	1 week	Vegetable bin
Meat and fish	2 - 3 days	Wrap in plastic foil, bags, or in a meat container and store on the glass shelf
Fresh cheese	3 - 4 days	On the designated door shelf
Butter and margarine	1 week	On the designated door shelf
Bottled products e.g. milk and yoghurt	Until the expiry date recommended by the producer	On the designated door shelf
Eggs	1 month	On the designated egg shelf
Cooked food	2 days	All shelves

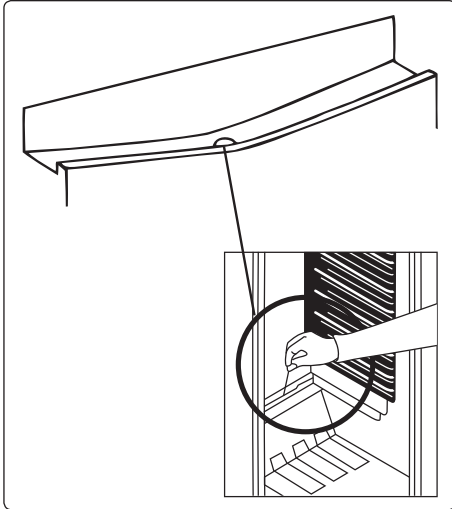
5 CLEANING AND MAINTENANCE

-  Disconnect the unit from the power supply before cleaning.
-  Do not wash your appliance by pouring water on it.
-  Do not use abrasive products, detergents or soaps for cleaning the appliance. After washing, rinse with clean water and dry carefully. When you have finished cleaning, reconnect the plug to the mains supply with dry hands.
- Make sure that no water enters the lamp housing and other electrical components.
- The appliance should be cleaned regularly using a solution of bicarbonate of soda and lukewarm water.
- Clean the accessories separately by hand with soap and water. Do not wash accessories in a dish washer.
- Clean the condenser with a brush at least twice a year. This will help you to save on energy costs and increase productivity.

  **The power supply must be disconnected during cleaning.**

5.1 Defrosting

Defrosting the Refrigerator Compartment



- Defrosting occurs automatically in the refrigerator compartment during operation. The water is collected by the evaporation tray and evaporates automatically.
- The evaporation tray and the water drain hole should be cleaned periodically with the defrost drain plug to prevent the water from collecting at the bottom of the refrigerator instead of flowing out.
- You can also clean the drain hole by pouring half a glass of water down it.

Replacing LED Lighting




If your appliance has LED lighting contact the help desk as this should be changed by authorized personnel only.

6 SHIPMENT AND REPOSITIONING

6.1 Transportation and Changing Positioning

- The original packaging and foam may be kept for re-transportation (optional).
- Fasten your appliance with thick packaging, bands or strong cords and follow the instructions for transportation on the packaging.
- Remove all movable parts (shelves, accessories, vegetable bins, and so on) or fix them into the appliance against shocks using bands when re-positioning or transporting.

 Always carry your appliance in the upright position.

6.2 Repositioning the Door

- It is not possible to change the opening direction of your appliance door if door handles are installed on the front surface of the appliance door.
- It is possible to change the opening direction of the door on models without handles.
- If the door-opening direction of your appliance can be changed, contact the nearest Authorised Service Centre to change the opening direction.

7 BEFORE CALLING AFTER-SALES SERVICE

If your refrigerator is not working properly, there may be a minor problem. Check the following.

Your fridge is not operating

Check if:

- There is power
- The plug is correctly connected to the socket
- The plug or mains fuse has blown
- The socket is faulty. Examine this by plugging your fridge into a working socket.

The appliance performs poorly

Check if:

- The appliance is overloaded
- The doors are closed properly
- There is any dust on the condenser
- There is enough space near the rear and side walls.

Your fridge is operating noisily

Motor noise: Indicates the compressor is operating normally. The compressor may cause more noise for a short time when it is first activated.

Bubbling noise and splash: Due to the flow of the refrigerant in the tubes of the system.

Air blowing noise: Indicates normal operation of the system due to the circulation of air.

There is a build-up of humidity inside the cooler

Check if:

- All food is packed properly. Containers must be dry before being placed in the fridge.
- The fridge door is opened frequently. Humidity of the room enters the fridge when the doors are opened. Humidity increases faster when the doors are opened more frequently, especially if the humidity of the room is high.

The door is not opening and closing properly

Check if:

- There is food or packaging preventing the door from closing
- The door compartments, shelves and drawers are placed properly
- The door joints are broken or torn
- Your fridge is level.

Recommendations

- If the appliance is switched off or unplugged, wait at least 5 minutes before plugging the appliance in or restarting it in order to prevent damage to the compressor.
- If you will not use your fridge for a long time (e.g. in summer holidays) unplug it. Clean your fridge according to chapter cleaning and leave the door open to prevent humidity and smell.
- If a problem persists after you have followed all the above instructions, please consult the nearest authorised service centre.
- The appliance you have purchased is designed for domestic use only. It is not suitable for commercial or common use. If the consumer uses the appliance in a way that does not comply with this, we emphasise that the manufacturer and the dealer will not be responsible for any repair and failure within the guarantee period.

8 TIPS FOR SAVING ENERGY

1. Install the appliance in a cool, well-ventilated room, but not in direct sunlight and not near a heat source (such as a radiator or oven) otherwise an insulating plate should be used.
2. Allow warm food and drinks to cool before placing them inside the appliance.
3. Drinks or other liquids should be covered when inside the appliance. If left uncovered, the humidity inside the appliance will increase, therefore the appliance uses more energy. Keeping drinks and other liquids covered helps preserve their smell and taste.
4. Avoid keeping the doors open for long periods and opening the doors too frequently as warm air will enter the appliance and cause the compressor to switch on unnecessarily often.
5. Keep the covers of the different temperature compartments (such as the crisper and chiller) closed.
6. The door gasket must be clean and pliable. In case of wear, replace the gasket.

9 TECHNICAL DATA

The technical information is situated in the rating plate on the internal side of the appliance and on the energy label.

The QR code on the energy label supplied with the appliance provides a web link to the information related to the performance of the appliance in the EU EPREL database.

Keep the energy label for reference together with the user manual and all other documents provided with this appliance.

It is also possible to find the same information in EPREL using the link <https://eprel.ec.europa.eu> and the model name and product number that you find on the rating plate of the appliance.

See the link www.theenergylabel.eu for detailed information about the energy label.

10 INFORMATION FOR TEST INSTITUTES

Appliance for any EcoDesign verification shall be compliant with EN 62552.

Ventilation requirements, recess dimensions and minimum rear clearances shall be as stated in this User Manual at Chapter 2. Please contact the manufacturer for any other further information, including loading plans.

11 CUSTOMER CARE AND SERVICE

Always use original spare parts.

When contacting our Authorised Service Centre, ensure that you have the following data available: Model, Serial Number and Service Index.

The information can be found on the rating plate. You can find the rating label inside the fridge zone on the left lower side.

The original spare parts for some specific components are available for a minimum of 7 or 10 years, based on the type of component, from the placing on the market of the last unit of the model.

Visit our website to:
<https://www.voxelectronics.com>



SRP

KS2830E / KS2830SE

UPUTSTVO ZA UPOTREBU FRIŽIDER

SADRŽAJ

1 BEZBEDNOSNA UPUTSTVA	20
1.1 Opšta bezbednosna upozorenja.....	20
1.2 Upozorenja o instalaciji.....	24
1.3 Tokom upotrebe.....	24
2 OPIS UREĐAJA	26
2.1 Dimenzije.....	27
3 UPOTREBA APARATA	28
3.1 Podesavanje termostata.....	28
3.2 Upozorenja u vezi sa podešavanjima temperature	28
4 ČUVANJE HRANE	29
5 ČIŠĆENJE I ODRŽAVANJE	30
5.1 Odmrzavanje	31
6 TRANSPORT I PROMENA POLOŽAJA	31
6.1 Transport i promena položaja	31
6.2 Promena položaja vrata.....	31
7 PRE POZIVANJA SERVISA ZA PODRŠKU NAKON KUPOVINE	32
8 SAVETI ZA UŠTEDU ENERGIJE	33
9 TEHNIČKI PODACI	34
10 INFORMACIJE ZA INSTITUCIJE ZA TESTIRANJE	34
11 BRIGA O POTROŠAČIMA I SERVIS	34

1 BEZBEDNOSNA UPUTSTVA

1.1 Opšta bezbednosna upozorenja

Pažljivo pročitajte ovaj korisnički priručnik

! UPOZORENJE: Nemojte da blokirate otvore za ventilaciju na kućištu ili strukturi uređaja.

! UPOZORENJE: Nemojte da koristite mehaničke uređaje ili druga sredstva za ubrzavanje procesa odmrzavanja, osim onih koje preporučuje proizvođač.

! UPOZORENJE: Nemojte koristiti električne aparate unutar prostora za čuvanje hrane, osim ako se ne radi o aparatima čiju upotrebu preporučuje proizvođač.

! UPOZORENJE: Nemojte da oštetite kolo sredstva za hlađenje.

! UPOZORENJE: Prilikom pozicioniranja uređaja postarajte se da kabl za napajanje ne bude zaglavljen ili oštećen.

! UPOZORENJE: Nemojte da postavljate više prenosivih strujnih utičnica ili prenosivih jedinica napajanja na zadnjoj strani uređaja.

! UPOZORENJE: Da biste izbegli opasnost usled nestabilnosti uređaja, on se mora fiksirati u skladu sa sledećim uputstvima.

! Ako vaš uređaj koristi R600a kao sredstvo za hlađenje (ova informacija će biti priložena na etiketi na hladnjaku) treba da budete obazrivi tokom prenosa i instalacije da biste sprečili oštećenje elemenata hladnjaka. R600a je ekološki prihvatljiv i prirodan gas,

ali takođe je i eksplozivan. U slučaju curenja usled oštećenja na elementima hladnjaka, premestite svoj frižider dalje od otvorenog plamena ili izvora toplote i provetrite prostoriju gde je uređaj smešten na nekoliko minuta.

- Dok prenosite i smeštate frižider, nemojte oštetiti kolo gasa za hlađenje.
- Nemojte da čuvate eksplozivne supstance kao što su konzerve aerosola sa zapaljivim gasom u ovom uređaju.
- Ovaj uređaj je namenjen za korišćenje u domaćinstvu i za srodne primene kao što su:
 - kuhinjski prostori sa osobljem u prodavnicama, kancelarije i druga poslovna okruženja.
 - farme i gosti u hotelima, motelima i drugim stambenim objektima.
 - pansioni za noćenje sa doručkom;
 - ugostiteljski objekti i slične primene u nemaloprodajnim mestima.
- Ako se utičnica ne poklapa sa utikačem zamrzivača, proizvođač, njegovo servisno osoblje ili slične kvalifikovane osobe treba da zamene utikač da bi se sprečila opasnost.
- Posebni uzemljeni utikač je povezan sa kablom za napajanje vašeg frižidera. Ovaj utikač treba da se koristi sa posebno uzemljenom utičnicom snage 16 ampera. Ako nema takve utičnice u vašem domu, angažujte ovlašćenog tehničara da je instalira.

- Ovaj uređaj mogu da koriste deca starosti 8 godina i više kao i osobe sa smanjenim fizičkim, čulnim ili mentalnim sposobnostima ili nedostatkom iskustva ili znanja ako su pod nadzorom ili su im data uputstva po pitanju bezbedne upotrebe uređaja i ako razumeju opasnosti. Deca ne smeju da se igraju sa ovim uređajem. Deca ne smeju čistiti ili održavati uređaj bez nadzora.
- Deci uzrasta od 3 do 8 godina je dozvoljeno da pune i prazne rashladne uređaje. Od dece se ne očekuje da obavljaju čišćenje ili održavanje uređaja, od vrlo male dece (od 0 do 3 godine) se ne očekuje da koriste uređaje, od male dece (od 3-8 godina) se ne očekuje da koriste uređaje na bezbedan način, osim ako su pod stalnim nadzorom, starija deca (8-14 godina) i ranjiva lica mogu bezbedno da koriste aparate nakon što im je dat odgovarajući nadzor ili instrukcija u vezi sa upotrebom aparata. Od vrlo ranjivih lica se ne očekuje da koriste uređaje na siguran način osim ako im nije dat odgovarajući nadzor.
- Ako se kabl za napajanje ošteti, proizvođač, ovlašćeno servisno osoblje ili slične kvalifikovane osobe moraju da zamene utikač da bi se sprečila opasnost.
- Ovaj uređaj nije namenjen za upotrebu na nadmorskim visinama većim od 2000 m.

Da biste izbegli kontaminaciju hrane, molimo da se pridržavate sledećih uputstava:

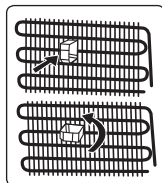
- Otvaranje vrata na duži period može prouzrokovati značajno povećanje temperature u odeljcima uređaja.
- Redovno čistite površine koje mogu doći u dodir sa hranom i dostupnim sistemima za odvodnjavanje
- Sirovo meso i ribu čuvajte u odgovarajućim sudovima u frižideru, tako da ne budu u kontaktu sa ili da ne kaplju na drugu hranu.
- Odeljci sa zamrznutom hranom sa dve zvezdice pogodni su za čuvanje zamrznute hrane, čuvanje ili pravljenje sladoleda i pravljenje kocki leda.
- Odeljci sa jednom, dve i tri zvezdice nisu pogodni za zamrzavanje sveže hrane.
- Ako je rashladni uređaj ostavljen prazan duže vremena, isključite ga, odmrznite, očistite, osušite i ostavite vrata otvorena kako bi se sprečilo stvaranje buđi unutar uređaja.

1.2 Upozorenja o instalaciji

Pre upotrebe vašeg frižidera prvi put, molimo obratite pažnju na sledeće detalje:

- Radni napon vašeg frižidera je od 220 do 240 V na 50 Hz.
- Utikač mora biti dostupan nakon montaže.
- Vaš frižider može imati neprijatan miris pri prvom uključivanju. Ovo je normalno i neprijatni miris će postepeno nestati kada vaš frižider počne da hladi.
- Pre priključivanja vašeg frižidera, vodite računa da informacije na pločici sa podacima (napon i povezano opterećenje) odgovaraju napajanju strujne mreže. Ako imate dilema, konsultujte se sa ovlašćenim električarom.
- Umetnite utikač u utičnicu sa efikasnom vezom na uzemljenje. Ako utikač nema uzemljenje ili utikač ne odgovara, predlažemo da pozovete ovlašćenog električara za pomoć.
- Uređaj mora biti povezan sa ispravno montiranom utičnicom sa osiguračem. Napajanje (AC) i napon u radnoj tački moraju odgovarati detaljima na pločici uređaja (pločica sa imenom je smeštena na unutrašnjoj levoj strani uređaja).
- Ne preuzimamo odgovornost za oštećenja koja nastanu usled upotrebe bez uzemljenja.
- Stavite frižider na mesto na kom neće direktno biti izložen sunčevoj svetlosti.
- Vaš frižider nikada ne treba koristiti na otvorenom prostoru ili izložiti kiši.
- Vaš uređaj treba da se nalazi najmanje 50 cm od šporeta, plinskih rerni i grejača i najmanje 5 cm od električnih rerni.
- Kada se vaš frižider postavi pored dubokog zamrzivača, treba da ima najmanje 2 cm prostora između njih da bi se sprečilo formiranje vlage na spoljnoj površini.
- Nemojte da prekrivate telo ili vrh frižidera miljeima. Ovo će uticati na performanse vašeg frižidera.

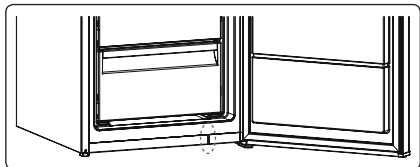
- Neophodno je ostaviti najmanje 150 mm prostora od vrha vašeg uređaja. Nemojte ništa da stavljate na vrh svog uređaja.
- Nemojte stavljati teške predmete na uređaj.
- Detaljno očistite uređaj pre korišćenja (vidi Čišćenje i održavanje).
- Pre upotrebe vašeg frižidera, obrišite sve delove rastvorom od tople vode i kašičice sode bikarbone. Zatim isperite čistom vodom i osušite. Vratite sve delove u frižider nakon čišćenja.
- Koristite podesive prednje nožice da osigurate da je vaš uređaj ravan i stabilan. Nožice možete da podesite okretanjem u bilo kom smeru. To treba učiniti pre stavljanja hrane u uređaj.
- Montirajte dve plastične vodilice za rastojanje (deo sa crnim lopaticama -kondenzator-na zadnjoj strani) okretanjem za 90° (kao što je prikazano na slici) da bi se sprečilo da kondenzator dodiruje zid.
- Rastojanje između uređaja i zida pozadi mora da bude najmanje 75 mm.



1.3 Tokom upotrebe

- Nemojte da povezujete svoj frižider sa električnim napajanjem korišćenjem produžnog kabla.
- Nemojte da uključujete oštećene, pokidane ili stare utikače.
- Nemojte da povlačite, savijate ili oštećujete kabl.
- Nemojte da koristite adapter za utikač.
- Ovaj uređaj je dizajniran za upotrebu od strane odraslih. Ne dozvolite deci da se igraju sa uređajem ili da vise na vratima.
- Nikada ne dodirujte kabl za napajanje / utikač mokrim rukama. To može izazvati kratki spoj ili strujni udar.
- Nemojte da stavljate eksplozivni ili zapaljivi materijal u frižider. Pića sa visokim sadržajem alkohola postavljajte u vertikalni položaj u odeljku frižidera i proverite da li su njihovi poklopci čvrsto zatvoreni.

Kada su vrata zamrzivača zatvorena, stvara se vakuumsko zaptivanje. Sačekajte 1 minut pre nego što ga ponovo otvorite. Ova aplikacija je opciona za lako otvaranje vrata. Sa ovom aplikacijom, može se pojaviti mala kondenzacija oko ove oblasti i istu možete ukloniti.



Stari i pokvareni frižideri

- Ako vaš stari frižider ili zamrzivač ima bravu, slomite je ili je uklonite pre odlaganja jer se deca mogu zaglaviti unutra i može doći do nesreće.
- Stari frižideri i zamrzivači sadrže izolacioni materijal i gas za hlađenje sa CFC-om. Stoga, pazite da ne naudite okolini kada odbacujete svoje stare frižidere.

CE Deklaracija o usaglašenosti

Izjavljujemo da naši proizvodi ispunjavaju važeće evropske direktive, odluke i propise i zahteve navedene u standardima koji se navode.

Odlaganje vašeg starog uređaja

Simbol na proizvodu ili ambalaži označava da se ovaj proizvod ne sme tretirati kao kućni otpad. Umesto toga, biće predat u odgovarajuće sabirno mesto za reciklažu električne i elektronske opreme. Pravilnim odlaganjem ovog proizvoda pomoći ćete u sprečavanju potencijalnih negativnih posledica po životnu sredinu i zdravlje ljudi, koje bi u protivnom mogle da nastanu neadekvatnim rukovanjem otpadom. Za detaljnije informacije o recikliranju ovog proizvoda obratite se lokalnoj gradskoj službi, službi za odvoz smeća iz domaćinstva ili prodavnici u kojoj ste kupili proizvod.



Pakovanje i okolina

Materijali za pakovanje štite vašu mašinu od oštećenja do kojih može doći tokom transporta.



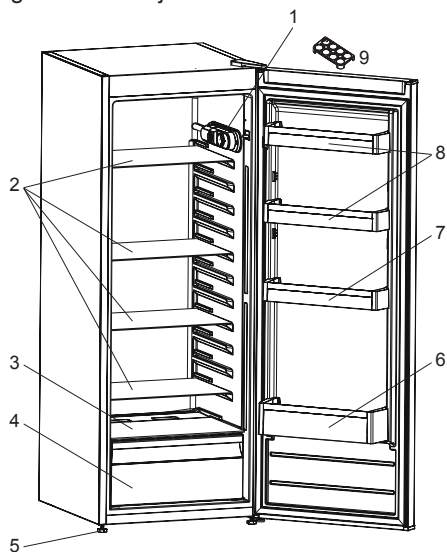
Materijali za pakovanje su ekološki prihvatljivi jer mogu da se recikliraju. Upotreba recikliranog materijala smanjuje potrošnju sirovina i samim tim smanjuje proizvodnju otpada.


Napomene:

- Pročitajte priručnik sa uputstvima pažljivo pre instalacije i upotrebe uređaja. Nismo odgovorni za oštećenje usled pogrešne upotrebe.
- Pratite sva uputstva na uređaju i iz priručnika za upotrebu i čuvajte ovaj priručnik na bezbednom mestu da biste rešili probleme do kojih može doći u budućnosti.
- Ovaj uređaj je proizveden da se koristi u domaćinstvima i može se koristiti samo u kućnim okruženjima i za navedene namene. Nije prikladan za komercijalnu ili zajedničku upotrebu. Takva upotreba će dovesti do poništavanja garancije na uređaj i naša kompanija neće biti odgovorna za bilo kakve nastale gubitke.
- Ovaj uređaj je proizveden za upotrebu u kućama/stanovima i prikladan je za hlađenje/čuvanje hrane. Nije prikladan za komercijalnu ili zajedničku upotrebu i/ili skladištenje drugih supstancija osim hrane. Naša kompanija nije odgovorna ni za kakve gubitke nastale neadekvatnom upotrebom uređaja.

2 OPIS UREĐAJA

Ovaj aparat nije predviđen za upotrebu kao ugrađeni uređaj.



 Ova prezentacija je samo za informacije o delovima aparata. Delovi mogu biti različiti zavisno od modela aparata.

- 1) Dugme na termostatu
- 2) Police frižidera
- 3) Poklopac odeljka za sveže voće i povrće
- 4) Odeljak za sveže voće i povrće
- 5) Nožice za nivelisanje
- 6) Polica za flaše na vratima
- 7) Podesiva polica na vratima* / Polica na vratima
- 8) Police na vratima
- 9) Držać za jaja

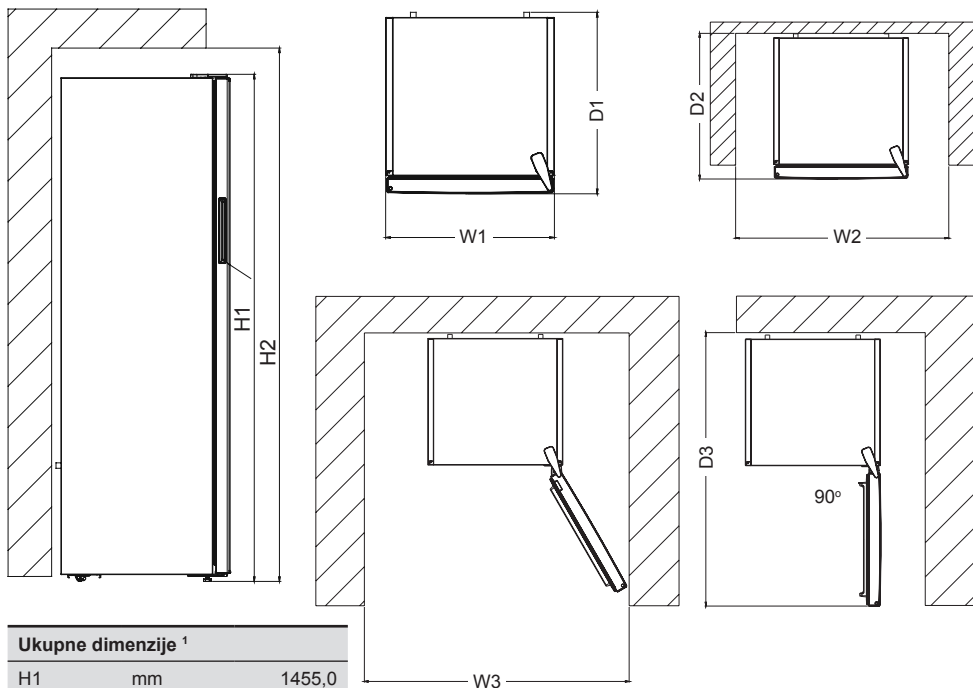
* Kod nekih modela

Opšte napomene

Odeljak za svežu hranu (Frižider):

Najefikasnija upotreba energije se obezbeđuje u konfiguraciji sa fiokama u donjem delu uređaja, i ravnomerno postavljenim policama, položaj korpi za vrata ne utiče na potrošnju energije.

2.1 Dimenzije



Ukupne dimenzije ¹		
H1	mm	1455,0
W1	mm	540,0
D1	mm	595,0
¹ visina, širina i dubina uređaja bez ručki.		

Potreban prostor za upotrebu ²		
H2	mm	1605,0
W2	mm	640,0
D2	mm	692,8

² visina, širina i dubina uređaja sa ručkom, plus prostor potreban za slobodnu cirkulaciju vazduha za hlađenje.

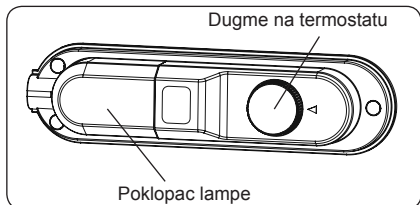
Ukupno potreban prostor za upotrebu ³		
W3	mm	659,8
D3	mm	1142,3

³ visina, širina i dubina uređaja sa ručkom, plus prostor potreban za slobodnu cirkulaciju vazduha za hlađenje, plus prostor potreban da se vrata otvore pod minimalnim uglom koji dozvoljava uklanjanje sve unutrašnje opreme.

3 UPOTREBA APARATA

3.1 Podešavanje termostata

Termostat automatski regulise temperaturu unutar uređaja. Temperaturu mozete regulisati pomocu prekidaca sa podeocima od 1 do 5.



Podešavanja termostata

- Za hranu koju je potrebno hladiti u kracem vremenskom periodu podesite prekidac između 1 i 3.
- Za hranu koju je potrebno hladiti u duzem periodu podesite prekidac između 3 i 4.
- Položaj za maksimalno hlađenje podesite prekidac između 4 i 5. Uređaj će raditi duže.

3.2 Upozorenja u vezi sa podešavanjima temperature

- Ne preporučuje se da frižider radi u okolinama hladnijim od 10 °C zbog efikasnosti.
- Podešavanja temperature treba obaviti u skladu sa učestalošću otvaranja vrata i količinom hrane u frižideru.
- Vaš frižider treba da radi 24 sata u skladu sa sobnom temperaturom bez prekida nakon što se priključi da bi se u potpunosti ohladio. Nemojte da otvarate vrata frižidera često i nemojte da stavljate previše hrane u ovom periodu.
- Funkcija odlaganja na 5 minuta se primenjuje da bi se sprečilo oštećenje kompresora frižidera, kada izvučete utikač i ponovo ga priključite ili kada dođe do nestanka struje. Vaš frižider će početi sa normalnim radom nakon 5 minuta.

- Vaš frižider je projektovan da radi na intervalima sobnih temperatura navedenih u standardima, u skladu sa klasom navedenom na etiketi sa informacijama. Ne preporučujemo da koristite frižider izvan navedenih temperatura u smislu efikasnosti hlađenja.
- Ovaj uređaj je projektovan za upotrebu na sobnoj temperaturi u opsegu 16 °C – 32 °C.

Klasa klime i značenje:

T (tropska): Ovaj rashladni uređaj predviđen je za upotrebu na sobnoj temperaturi koja varira od 16 °C do 43 °C.

ST (suptropska): Ovaj rashladni uređaj predviđen je za upotrebu na sobnoj temperaturi koja varira od 16 °C do 38 °C.

N (umerena): Ovaj rashladni uređaj predviđen je za upotrebu na sobnoj temperaturi koja varira od 16 °C do 32 °C.

SN (proširena umerena): Ovaj rashladni uređaj predviđen je za upotrebu na sobnoj temperaturi koja varira od 10 °C do 32 °C.

4 ČUVANJE HRANE

- Da bi se smanjila vlažnost i izbeglo posledično formiranje leda, u frižider uvek stavljajte tečnosti u zatvorenim posudama. Led se stvara u najhladnijim delovima tečnosti koja isparava i vremenom će biti neophodno češće odmrzavanje vašeg uređaja.
- Kuvana jela moraju ostati pokrivena kada se drže u frižideru. Nemojte stavljati toplu hranu u frižider. Stavite je kada se ohladi, u suprotnom će temperatura/vlažnost unutar frižidera rasti, smanjujući efikasnost frižidera.
- Uverite se da nema artikala u direktnom kontaktu sa zadnjim unutrašnjim zidom uređaja jer može da se stvori led i da se zalepe na isti. Nemojte da otvarate vrata frižidera prečesto.
- Preporučujemo da meso i očišćena riba budu labavo umotani i odloženi na staklenu policu odmah iznad dela za povrće gde je vazduh hladniji jer ovo obezbeđuje najbolje uslove za skladištenje.
- Skladištite voće i povrće neupakovane u posudama odeljka za sveže voće i povrće.
- Zasebno skladištenje voća i povrća pomaže da na voće koje je osetljivo na etilen (zeleno listasto povrće, brokula, šargarepa itd.) ne utiče voće koje oslobađa etilen (banana, breskva, kajsija, smokva itd.).
- Nemojte da stavljate vlažno povrće u frižider.
- Vreme skladištenja za sve vrste proizvoda zavisi od početnog kvaliteta hrane i neometanog rashladnog ciklusa pre skladištenja u frižideru.
- Curenje tečnosti iz mesa može da kontaminira druge proizvode u frižideru. Treba da pakujete proizvode od mesa i da čistite tečnosti koje iscuru na policama.
- Nemojte da stavljate hranu ispred prolaza protoka vazduha.

- Treba da iskoristite upakovanu hranu pre isteka roka trajanja.



NAPOMENA: Krompir, crni luk i beli luk ne bi trebalo čuvati u frižideru.

- Za normalne radne uslove biće dovoljno da podesite temperaturu vašeg frižidera na +4 ° C.
- Temperatura frižidera treba da bude u opsegu od 0-8 ° C, sveža hrana ispod 0 ° C ledi se i truli, dok se koncentracija bakterija povećava iznad 8 ° C i hrana se kvari.
- Nemojte odmah stavljati toplu hranu u frižider, ostavite je da se ohladi van frižidera. Topla hrana povećava temperaturu vašeg frižidera i izaziva trovanje hranom i nepotrebno kvarenje hrane.
- Meso, riba itd. treba čuvati u hladnijoj pregradi za hranu, a pregrada za povrće je poželjna za povrće. (ako je na dostupna)
- Da bi se izbegla međusobna kontaminacija, nemojte da čuvate mesne proizvode zajedno sa voćem i povrćem.
- Hranu treba čuvati u frižideru u zatvorenim posudama ili pokrivenu kako bi se sprečili vlaga i mirisi.

Tabela ispod je brzi vodič da vam pokaže najefikasnije načine čuvanja glavnih grupa namirnica u odeljku vašeg frižidera.

Hrana	Maksimalno vreme čuvanja	Kako i gde da čuvate hranu
Povrće i voće	1 nedelja	Odeljak za povrće
Meso i riba	2 - 3 dana	Umotajte u plastičnu foliju, kese ili posude za meso i čuvajte na staklenoj polici
Sveži sir	3 - 4 dana	Na određenoj polici u vratima
Puter i margarin	1 nedelja	Na određenoj polici u vratima
Flaširani proizvodi, npr. mleko i jogurt	Do roka trajanja koji je preporučen od strane proizvođača	Na određenoj polici u vratima
Jaja	1 mesec	Na određenoj polici za jaja
Kuvana hrana	2 dana	Sve police

5 ČIŠĆENJE I ODRŽAVANJE



Odvojite jedinicu od napajanja pre čišćenja.



Nemojte da perete vaš uređaj prosipanjem vode u njega.



Nemojte da koristite abrazivne proizvode, deterdžente ili sapune za čišćenje uređaja. Nakon pranja, isperite čistom vodom i sušite pažljivo. Kada završite sa čišćenjem, uključite utikač u mrežno napajanje suvim rukama.

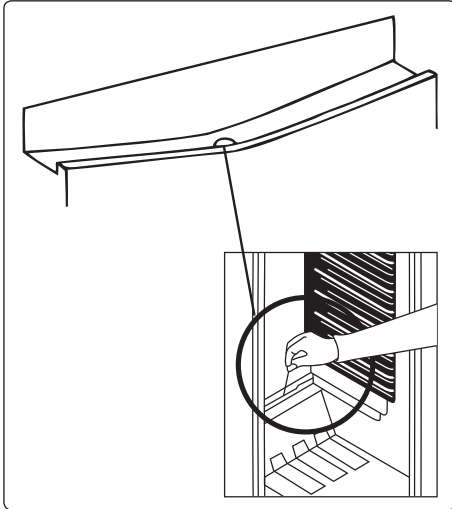
- Pazite da voda ne uđe u kućište lampe i druge električne komponente.
- Frižider treba redovno čistiti rastvorom sode bikarbone i tople vode.
- Pribor očistite posebno ručno pomoću sapuna i vode. Ne perite pribor u mašini za pranje sudova.
- Kondenzator treba da čistite četkom najmanje dva puta godišnje. Tako štedite energiju i povećavate produktivnost.



Prilikom čišćenja napajanje mora biti isključeno.


5.1 Odmrzavanje

Odmrzavanje odeljka frižidera



- Odmrzavanje se javlja automatski u odeljku frižidera tokom rada. Voda se skuplja u posudi za isparavanje i automatski isparava.
- Posudu za isparavanje i otvor za drenažu vode od odmrzavanja treba periodično čistiti da bi se sprečilo prikupljanje vode na dno frižidera umesto da ističe.
- Možete takođe čistiti otvor za drenažu ako sipate pola čaše vode u njega.


Zamena LED lampe

-  Da biste zamenili bilo koju LED lampu, obratite se najbližem ovlašćenom servisu.

6 TRANSPORT I PROMENA POLOŽAJA

6.1 Transport i promena položaja

- Originalno pakovanje i pena se mogu zadržati zbog ponovnog transporta (opciono).
- Treba da pričvrstite svoj frižider debelim pakovanjem, trakom ili snažnim kablovima i pratite uputstva za transport na pakovanju.
- Izvadite sve pokretne delove ili ih pričvrstite u aparatu protiv udaraca pomoću traka prilikom promene položaja ili transporta.

 Uvek nosite uređaj u uspravnom položaju.

6.2 Promena položaja vrata

- Nije moguće promeniti smer otvaranja vrata frižidera ako su ručke na vratima postavljene na prednjoj površini vrata uređaja.
- Moguće je promeniti smer otvaranja vrata na modelima bez drške.
- Ako se smer otvaranja vrata na vašem frižideru može promeniti, treba da kontaktirate najbliži ovlašćeni servis da biste promenili smer otvaranja vrata.

7 PRE POZIVANJA SERVISA ZA PODRŠKU NAKON KUPOVINE

Ako imate problema sa vašim **uređajem** molimo proverite sledeće pre nego što se obratite servisnoj službi nakon prodaje.

Vaš uređaj ne radi

Proverite:

- Da li ima struje
- Da li je utikač pravilno priključen na utičnicu
- Da li je pregoreo osigurač utikača ili glavni osigurač
- Utičnica je neispravna. Za proveru, priključite drugi ispravan uređaj u istu utičnicu.

Uređaj radi slabo

Proverite:

- Uređaj je prepunjen
- Vrata uređaja su pravilno zatvorena
- Dali ima prašine na kondenzatoru
- Da li ima dovoljno prostora na zadnjoj i bočnim stranama.

Vaš uređaj radi bučno

Normalna buka

Bučno škljocanje se javlja:

- Tokom automatskog odmrzavanja
- Kada se uređaj hladi ili zagreva (usled širenja materijala uređaja).

Čuje se kratak zvuk pucketanja:

Kada termostat uključuje/isključuje kompresor.

Buka motora: Ukazuje da kompresor radi normalno. Kompresor može da izazove više buke tokom kraćeg perioda kada se prvi put aktivira.

Buka slična mehurićima i prskanju:

Usled protoka gasa za hlađenje u cevima sistema.

Buka tečenja vode javlja se: Usled tečenja vode u posudi za isparavanje. Buka je uobičajena tokom odmrzavanja.

Zvuk duvanja vazduha: Kod nekih modela tokom normalnog rada sistema usled cirkulacije vazduha.

Ivice uređaja u kontaktu sa spojnicama vrata su tople

Posebno tokom leta (toplo vreme), površine u kontaktu sa spojnicama vrata mogu postati tople tokom rada kompresora; to je normalno.

U uređaju se stvorila vlaga.

Proverite:

- Da li je sva hrana pravilno upakovana. Posude moraju biti suve pre stavljanja u **uređaj**.
- Da li se vrata **uređaja** otvaraju često. Vlažnost iz prostorije ulazi u **uređaj**kada se vrata otvore. Vlažnost raste brže ako se vrata češće otvaraju, posebno ako je vlažnost u prostoriji visoka.

Vrata se ne otvaraju ili ne zatvaraju pravilno

Proverite:

- Da li hrana ili pakovanje sprečava zatvaranje vrata
- Da li su zaptivači vrata polomljeni ili pokidani
- Da li se vaš **uređaj** nalazi na ravnoj površini.

Preporuke

- Ako je uređaj isključen ili je utikač izvađen iz utičnice, morate da sačekate najmanje 5 minuta pre nego što ponovo pokrenete uređaj ili ponovo uključite utikač da ne bi došlo do oštećenja kompresora.
- Ako nećete da koristite vaš frižider tokom dužeg vremena (npr. za vreme letnjih praznika) isključite ga. Očistite svoj frižider u skladu sa delom o čišćenju i ostavite vrata otvorena da sprečite vlažnost i miris.
- Ako problem i dalje postoji nakon što ste sledili sva gore navedena uputstva, posavetujte se sa najbližim ovlašćenim servisom.

- Uređaj koji ste kupili je namenjen isključivo za kućnu upotrebu. Nije prikladan za komercijalnu ili zajedničku upotrebu. Ako potrošač koristi uređaj na način koji nije u skladu sa ovim karakteristikama, naglašavamo da proizvođač i trgovac neće biti odgovorni za bilo kakvu popravku i kvar u garantnom roku.

8 SAVETI ZA UŠTEDU ENERGIJE

1. Instalirajte uređaj u hladnu, dobro provetrenu prostoriju ali ne na direktnu sunčevu svetlost ili u blizini izvora toplote (radijator ili šporet), ili koristite panele za izolaciju.
2. Ostavite toplu hranu i piće da se ohlade pre stavljanja u uređaj.
3. Pića ili druge tečnosti treba pokriti kada ih stavljate u uređaj. Ako se ne pokriju, vlaga unutar uređaja će se povećati, pa uređaj troši više energije. Pokrivanje pića i drugih tečnosti pomaže u otklanjanju neprijatnog mirisa i ukusa.
4. Pokušajte da izbegavate da držite vrata otvorena duže vreme ili da otvarate vrata previše često jer topao vazduh će ući u odeljak i dovešće do toga da se kompresor uključuje nepotrebno često.
5. Držite poklopce odeljaka sa različitom temperaturom zatvorene (kao što su odeljak za sveže voće i povrće i za brzo hlađenje).
6. Zaptivač na vratima mora da bude čist i fleksibilan. U slučaju nošenja, zamenite zaptivač.

9 TEHNIČKI PODACI

Tehničke informacije nalaze se na tipskoj pločici na unutrašnjoj strani uređaja i na energetske nalepnici.

QR kod na energetske nalepnici koji se isporučuje sa uređajem sadrži link do veb adrese sa informacijama o performansima uređaja u EU EPREL bazi podataka.

Sačuvajte energetske nalepnicu za buduću potrebu zajedno sa uputstvom za upotrebu i svim ostalim dokumentima koji se isporučuju sa ovim uređajem.

Takođe je moguće iste informacije pronaći u EPREL-u koristeći link <https://eprel.ec.europa.eu> i naziv modela i broj proizvoda koji se nalaze na tipskoj pločici uređaja.

Pogledajte link www.theenergylabel.eu za detaljne informacije o energetske nalepnici.

10 INFORMACIJE ZA INSTITUCIJE ZA TESTIRANJE

Instalacija i priprema uređaja za bilo kakvu proveru EcoDesign-a mora biti u skladu sa EN 62552. Zahtevi za ventilaciju, dimenzije udubljenja i minimalni razmak zadnje strane su navedeni u ovom korisničkom priručniku u DELU 2. Za sve dodatne informacije, uključujući planove utovara, obratite se proizvođaču.

11 BRIGA O POTROŠAČIMA I SERVIS

Uvek koristite samo originalne rezervne delove.

Kada se obraćate našem ovlašćenom servisnom centru, proverite imate li na raspolaganju sljedeće podatke: Model, Serijski broj.

Informacije se nalaze na natpisnoj tabli. Nalepnicu sa natpisom možete pronaći unutar zone frižidera na levoj donjoj strani. Originalni rezervni delovi za neke određene komponente dostupni su najmanje 7 ili 10 godina, na osnovu vrste komponente, od stavljanja na tržište poslednje jedinice modela.

Posetite našu internet stranicu da:
<https://www.voxelectronics.com>



KS2830E / KS2830SE

UPUTE ZA UPORABU HLADNJAK

KAZALO

1 SIGURNOSNE UPUTE	36
1.1 Općenita sigurnosna upozorenja	36
1.2 Instalacijska upozorenja	40
1.3 Tijekom korištenja	40
2 OPIS UREĐAJA.....	42
2.1 Dimenzije	43
3 UPORABA UREĐAJA	44
3.1 Postavke termostata	44
3.2 Upozorenja o podešavanju temperature	44
4 POHRANA HRANE.....	45
5 ČIŠĆENJE I ODRŽAVANJE	46
5.1 Odleđivanje.....	47
6 PRIJENOS I PROMJENA POLOŽAJA.....	47
6.1 Prijenos i promjena položaja	47
6.2 Promjena položaja vrata.....	47
7 PRIJE POZIVANJA POSLIJEPRODAJNOG SERVISA.....	48
8 SAVJETI ZA UŠTEDU ENERGIJE	49
9 TEHNIČKI PODACI.....	49
10 INFORMACIJE ZA ISPITNE INSTITUTE	50
11 KORISNIČKE USLUGE I SERVIS	50

1 SIGURNOSNE UPUTE

1.1 Općenita sigurnosna upozorenja

Pažljivo pročitajte ovaj korisnički priručnik.

⚠ UPOZORENJE: Ne smije biti prepreka kod ventilacijskih otvora na kućištu uređaja i u ugrađenim dijelovima.

⚠ UPOZORENJE: Ne koristite mehaničke uređaje ili druge načine za ubrzavanje procesa odmrzavanja osim onih koje preporučuje proizvođač.

⚠ UPOZORENJE: Nemojte upotrebljavati električne uređaje u odjeljcima za pohranu hrane uređaja, osim ako ih ne preporučuje proizvođač.

⚠ UPOZORENJE: Nemojte oštetiti rashladni krug.

⚠ UPOZORENJE: Kada postavljate uređaj, osigurajte da kabel napajanja nije negdje zaglavljen ili oštećen.

⚠ UPOZORENJE: Nemojte postavljati višestruke prijenosne utičnice ili prijenosne izvore napajanja na stražnji dio uređaja.

⚠ UPOZORENJE: Da bi se izbjegla opasnost zbog nestabilnosti uređaja, morate ga fiksirati u skladu s uputama.

⚠ Ako vaš uređaj koristi R600a kao rashladno sredstvo (ove informacije možete pronaći na naljepnici hladnjaka) trebali biste biti oprezni tijekom prenošenja i postavljanja kako bi se spriječilo oštećenje rashladnih elemenata uređaja. R600a je ekološki prihvatljiv i prirodan plin, ali je i eksplozivan. U slučaju curenja

zbog oštećenih elemenata hladnjaka, odmaknite vaš hladnjak od otvorenog plamena ili izvora topline i prozračite prostoriju gdje je uređaj smješten na par minuta.

- Nemojte oštetiti rashladni krug plina dok nosite i premještate hladnjak.
- Nemojte pohranjivati zapaljive tvari kao što su limenke spreja sa zapaljivim potisnim plinom u ovaj uređaj.
- Ovaj uređaj namijenjen je korištenju u kućanstvu i kućnim okruženjima kao što su:
 - kuhinje za osoblje u trgovinama, uredima i drugim radnim okruženjima.
 - seoske kuće, hoteli, moteli i ostala rezidencijalna okruženja.
 - ugostiteljski objekti koji nude noćenje i doručak;
 - opskrba pripremljenom hranom i pićem i slična okruženja koja nisu maloprodajna.
- Ako utičnica ne odgovara utikaču hladnjaka mora ga zamijeniti proizvođač, serviser ili slično kvalificirana osoba kako bi se izbjegla opasnost.
- Posebno uzemljeni utikač povezan je s kabelom za napajanje hladnjaka. Ovaj utikač treba koristiti s posebno uzemljenom utičnicom snage od 16 ampera. Ako takve utičnice nema u vašem kućanstvu, pozovite ovlaštenog električara da je postavi.

- Ovaj uređaj mogu koristiti djeca starija od 8 godina i osobe sa smanjenim fizičkim, osjetilnim ili mentalnim sposobnostima ili nedostatkom iskustva i znanja ako su pod nadzorom ili ako su upućene u korištenje uređaja na siguran način te razumiju moguće opasnosti. Djeca se ne smiju igrati s uređajem. Čišćenje i održavanje ne smiju obavljati djeca bez nadzora.
- Djeci u dobi od 3 do 8 godina dopušteno je puniti i prazniti rashladne uređaje. Od djece se ne očekuje da obavljaju čišćenje ili održavanje uređaja, od vrlo male djece (0-3 godine) se ne očekuje uporaba aparata, od male djece (3-8 godina) se ne očekuje da koriste uređaje na siguran način, osim ako su pod stalnim nadzorom, starija djeca (8-14 godina starosti) i ranjive osobe mogu koristiti uređaje sigurno nakon što su dobili odgovarajući nadzor ili upute o korištenju aparata. Ne očekuje se da će vrlo ranjive osobe koristiti uređaje na siguran način ako se ne provodi stalni nadzor.
- Ako je kabel za napajanje oštećen mora ga zamijeniti proizvođač, serviser ili slično kvalificirana osoba kako bi se izbjegla opasnost.
- Ovaj uređaj nije namijenjen za uporabu na nadmorskim visinama iznad 2000 m.

Kako biste izbjegli kontaminaciju hrane, molimo vas da se pridržavate sljedećih uputa:

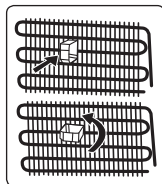
- Otvaranje vrata na dulje vrijeme može uzrokovati značajno povećanje temperature u odjeljcima uređaja.
- Redovito čistite površine koje mogu doći u doticaj s hranom i pristupačnim sustavima odvodnje.
- Sirovo meso i ribu čuvajte u prikladnim posudama u hladnjaku, tako da ne budu u doticaju s drugom hranom ili ne kapaju na drugu hranu.
- Odjeljci sa zamrznutom hranom s dvije zvjezdice prikladni su za pohranu prethodno zamrznute hrane, pohranu ili pripremu sladoleda i pripremu kockica leda.
- Odjeljci s jednom, dvije ili tri zvjezdice nisu prikladni za zamrzavanje svježije hrane.
- Ako je uređaj za hlađenje ostavljen prazan dulje vrijeme, isključite ga, odmrznite, očistite, osušite i ostavite otvorena vrata kako biste spriječili razvoj plijesni unutar uređaja.

1.2 Instalacijska upozorenja

Prije uporabe vašeg hladnjaka prvi put, molimo obratite pozornost na sljedeće detalje:

- Radni napon vašeg hladnjaka je 220-240 V na 50Hz.
- Utikač mora biti dostupan nakon montaže.
- Vaš hladnjak može imati neugodan miris pri prvom uključivanju. Ovo je normalno i neugodni miris će postepeno nestati kada hladnjak počne hladiti.
- Prije priključivanja vašeg hladnjaka, osigurajte se da informacije na pločici s podacima (napon i povezano opterećenje) odgovaraju napajanju strujne mreže. Ako imate dvojbi, konzultirajte se s ovlaštenim električarom.
- Umetnite utikač u utičnicu s učinkovitom vezom na uzemljenje. Ako utikač nema uzemljenje ili utikač ne odgovara, predložimo da pozovete ovlaštenog električara za pomoć.
- Uređaj mora biti povezan s ispravno montiranom utičnicom s osiguračem. Napajanje (AC) i napon na radnoj točki moraju odgovarati detaljima na pločici uređaja (pločica s imenom je smještena na unutarnjoj lijevoj strani uređaja).
- Ne preuzimamo odgovornost za štete koje nastanu zbog korištenja bez uzemljenja.
- Stavite hladnjak na mjesto na kom neće izravno biti izložen sunčevoj svjetlosti.
- Hladnjak nikada ne treba koristiti na otvorenom prostoru ili izlagati kiši.
- Vaš bi uređaj trebao biti najmanje 50 cm udaljen od štednjaka, plinskih štednjaka i jezgri grijača te bi trebao biti najmanje 5 cm udaljen od električnih pećnica.
- Kad se vaš hladnjak nalazi pored zamrzivača trebalo bi biti najmanje 2 cm udaljenosti između njih kako bi se spriječilo stvaranje vlage na vanjskoj površini.

- Nemojte prekrivati trup ni vrh hladnjaka čipkom. Ovo će utjecati na učinkovitost vašeg hladnjaka.
- Potreban je razmak od najmanje 150 mm na vrhu uređaja. Ne stavljajte ništa na vrh vašeg uređaja.
- Nemojte stavljati teške predmete na uređaj.
- Detaljno očistite uređaj prije korištenja (vidi Čišćenje i održavanje).
- Prije uporabe hladnjaka, obrišite sve dijelove otopinom izrađenom od tople vode i žličice sode bikarbone. Zatim isperite čistom vodom i osušite. Vratite sve dijelove u hladnjak nakon čišćenja.
- Koristite podesive prednje nožice da osigurate da je vaš uređaj postavljen ravno i stabilno. Nožice možete postaviti okretanjem u bilo kom smjeru. To je potrebno izvršiti prije stavljanja hrane u hladnjak.
- Postavite dvije plastične vodilice za rastojanje (dijelovi s crnim lopaticama -kondenzator-sa stražnje strane) zakretanjem za 90° (kako je prikazano na slici) da bi se spriječilo da kondenzator dotiče zid.
- Rastojanje između uređaja i stražnjeg zida mora biti najviše 75 mm.



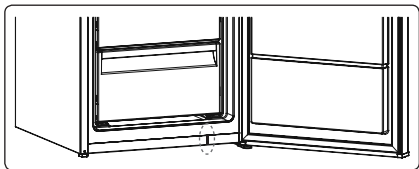
1.3 Tijekom korištenja

- Ne priključujte svoj hladnjak na mrežno napajanje pomoću produžnog kabela.
- Nemojte priključiti oštećene, potrgane ili stare utikače.
- Nemojte vući, savijati ili oštetiti kabel.
- Nemojte upotrebljavati utični prilagodnik.
- Ovaj je uređaj dizajniran za uporabu od strane odraslih osoba. Ne dozvolite djeci da se igraju s uređajem ili da se vješaju na vrata.
- Nikada ne dirajte napojni kabel/utikač mokrim rukama. To može uzrokovati kratki spoj ili električni udar.

- Ne stavljajte eksplozivne ni zapaljive materijale u hladnjak. Pića sa visokim sadržajem alkohola postavljajte u vertikalni položaj u odjeljku hladnjaka i provjerite da li su njihovi poklopci čvrsto zatvoreni.

Kada se vrata zamrzivača zatvore, formirat će se vakuumsko brtvljenje. Pričekajte 1 minut prije ponovnog otvaranja.

Ova aplikacija je opcijaska za jednostavno otvaranje vrata. Pomoću ove aplikacije može se pojaviti malo kondenzacije oko ove površine koju možete ukloniti.



Stari i neispravni hladnjaci

- Ako vaš stari hladnjak ima bravu, razbijte je ili uklonite prije bacanja jer djeca mogu ostati zaglavljena unutar njega što može izazvati nesreću.
- Stari hladnjaci i zamrzivači sadrže izolacijski materijal i rashladni medij s CFC-om. Stoga vodite računa da se ne ošteti okoliš kada odlažete vaš stari hladnjak.

CE Izjava o sukladnosti

Izjavljujemo da naši proizvodi zadovoljavaju vrijedeće europske direktive, odluke i propise te zahtjeve navedene u standardima koji se navode.

Odlaganje vašeg starog uređaja

Oznaka na proizvodu ili pakiranju označava da se ovaj proizvod ne smije tretirati kao kućni otpad.

Umjesto toga, odlaže se na odgovarajućem sabirnom mjestu za recikliranje električne i elektroničke opreme. Pravilnim odlaganjem ovog proizvoda pomoći ćete u sprječavanju mogućih negativnih posljedica po okoliš i zdravlje ljudi, koje bi se u protivnom mogle prouzročiti neprimjerenim rukovanjem otpadom. Za detaljnije informacije o recikliranju ovog proizvoda obratite se



lokalnoj gradskoj službi, službi za odvoz smeća iz kućanstva ili trgovini gdje ste kupili proizvod.

Pakiranje i okoliš

Materijali pakiranja štite vaš uređaj od oštećenja koja mogu nastati tijekom transporta.

Materijali pakiranja su ekološki prihvatljiviji jer se mogu reciklirati. Uporaba recikliranog materijala smanjuje potrošnju sirovina te samim tim smanjuje proizvodnju otpada.

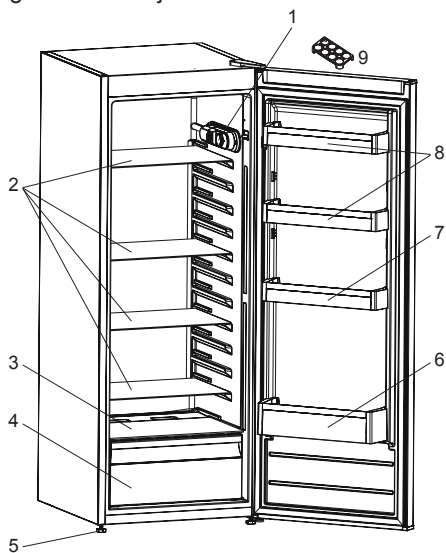



Napomene:

- Pažljivo pročitajte priručnik s uputama prije postavljanja i korištenja uređaja. Nismo odgovorni za štetu nastalu uslijed pogrešne uporabe.
- Slijedite sve upute na uređaju i u priručniku s uputama te ga čuvajte na sigurnom mjestu kako biste riješili probleme koji se mogu pojaviti u budućnosti.
- Ovaj uređaj proizveden je za korištenje kod kuće i može se koristiti samo u takvim okruženjima za naznačene svrhe. Nije prikladan za komercijalnu ni zajedničku uporabu. Takva uporaba prouzročiti će poništenje jamstva uređaja, a naša tvrtka neće biti odgovorna za bilo koje nastale gubitke.
- Ovaj uređaj proizveden je za korištenje kod kuće i prikladan je samo za hlađenje/pohranu hrane. Nije prikladan za komercijalnu ni zajedničku uporabu te za pohranu stvari koje nisu hrana. Naša kompanije nije odgovorna ni za kakve gubitke nastale neadekvatnom uporabom uređaja.

2 OPIS UREĐAJA

Ovaj se uređaj ne upotrebljava kao ugrađeni uređaj.



 Ovaj prikaz služi samo za informacije o dijelovima uređaja. Dijelovi se mogu razlikovati ovisno o modelu uređaja.

- 1) Kotačić termostata
- 2) Police hladnjaka
- 3) Poklopac ladice za voće i povrće
- 4) Ladica za voće i povrće
- 5) Podesive nožice
- 6) Polica za boce
- 7) Podesiva polica na vratima * / Polica na vratima
- 8) Police na vratima
- 9) Držać za jaja

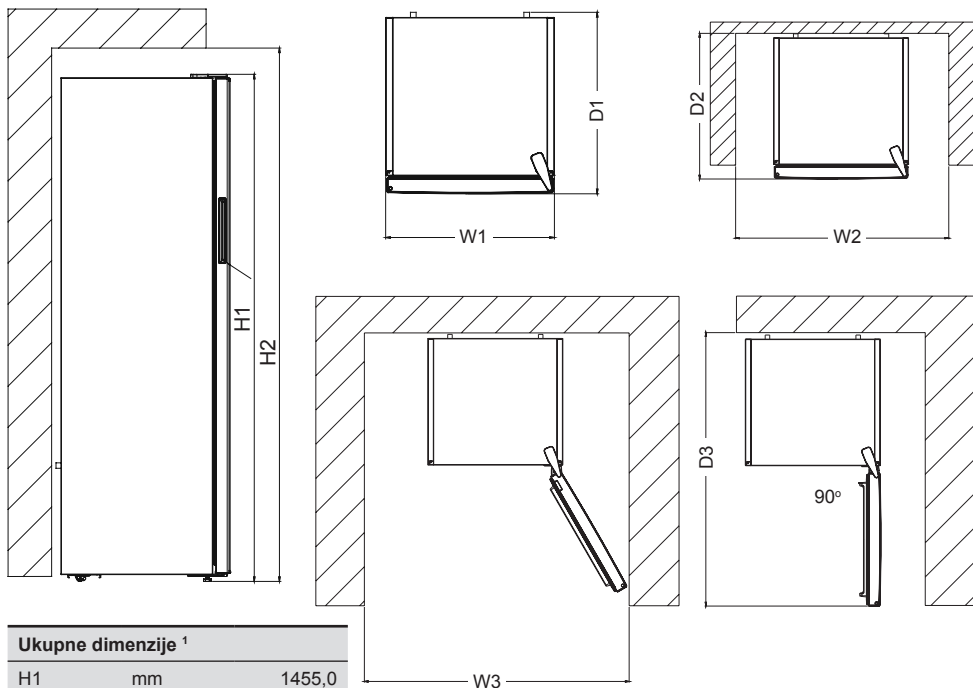
* Kod nekih modela

Općenite bilješke

Odjeljak za svježu hranu (Hladnjak):

Najučinkovitija uporaba energije se osigurava u konfiguraciji s ladicama u donjem dijelu uređaja, i ravnomjerno postavljenim policama, položaj košara za vrata ne utječe na potrošnju energije.

2.1 Dimenzije



Ukupne dimenzije ¹		
H1	mm	1455,0
W1	mm	540,0
D1	mm	595,0
¹ visina, širina i dubina uređaja bez ručke.		

Prostor za uporabu ²		
H2	mm	1605,0
W2	mm	640,0
D2	mm	692,8

² visina, širina i dubina uređaja sa ručkom, plus prostor potreban za slobodnu cirkulaciju rashladnog zraka.

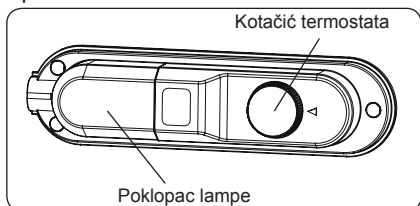
Ukupan prostor za uporabu ³		
W3	mm	659,8
D3	mm	1142,3

³ visina, širina i dubina uređaja sa ručkom, plus prostor potreban za slobodnu cirkulaciju rashladnog zraka, plus prostor potreban za omogućavanje otvaranja vrata do minimalnog kuta koji omogućava uklanjanje cijele unutarnje opreme.

3 UPORABA UREĐAJA

3.1 Postavke termostata

Termostat automatski regulira unutrašnju temperaturu hladnjaka. Zakretanjem gumba od položaja 1 do 5 mogu se postići željene temperature.



Podešavanje termostata

- Za kratkotrajno čuvanje hrane u uređaju gumb možete postaviti između najnižeg i srednjeg položaja. (1 - 3)
- Za dugotrajno čuvanje hrane u uređaju gumb možete postaviti na srednji položaj. (3 - 4)
- Postavite gumb na 5 za česte uporabe svježe hrane i odjeljaka za hladnjaka na vrućim sobnim temperaturama.

3.2 Upozorenja o podešavanju temperature

- Ne preporučuje se da radite s vašim hladnjakom u okolini hladnijoj od 10°C vezano za njegovu učinkovitost.
- Podešavanje temperature treba se uskladiti s učestalošću otvaranja vrata i količinom hrane čuvane u hladnjaku.
- Vaš hladnjak treba raditi do 24 sata bez prekida nakon uključivanja, usklađen s temperaturom okoline, da bi bio u potpunosti ohlađen. U ovom razdoblju ne otvarajte često vrata hladnjaka i ne stavljajte unutra puno hrane.
- Ako je uređaj u načinu isključeno ili je isključen iz struje, mora proći najmanje 5 minuta prije nego što ga ponovo pokrenete ili uključite u struju kako ne bi došlo do oštećenja kompresora.

- Vaš hladnjak je napravljen tako da radi na sobnoj temperaturi u intervalima koji su navedeni u standardima, prema klimatskoj klasi navedenoj na informacijskoj naljepnici. Za učinkovito hlađenje ne preporučujemo rad hladnjaka izvan navedenih graničnih vrijednosti temperatura.
- Vaš hladnjak namijenjen je za rad u rasponu temperature okoline (N = 16 °C - 32 °C) navedenom u standardima, prema klimatskom razredu navedenom na naljepnici s informacijama. Radi učinkovitosti hlađenja, ne preporučujemo upotrebu hladnjaka pri temperaturama izvan navedenih temperaturnih vrijednosti.

Klimatski razred i značenje:

T (tropska): Ovaj rashladni uređaj predviđen je za uporabu na sobnoj temperaturi u rasponu od 16 °C do 43° C.

ST (suptropska): Ovaj rashladni uređaj predviđen je za uporabu na sobnoj temperaturi u rasponu od 16 °C do 38° C.

N (umjerena): Ovaj rashladni uređaj predviđen je za uporabu na sobnoj temperaturi u rasponu od 16 °C do 32° C.

SN (proširena umjerena): Ovaj rashladni uređaj predviđen je za uporabu na sobnoj temperaturi u rasponu od 10 °C do 32° C.

4 POHRANA HRANE

- Da bi se smanjila vlažnost i izbjeglo posljedično formiranje leda, u hladnjak uvijek stavljajte tekućine u zatvorenim posudama. Led se stvara u najhladnijim dijelovima tekućine koja isparava te će vremenom biti neophodno češće odmrzavanje vašeg uređaja.
- Kuhana jela moraju ostati pokrivena kada se drže u hladnjaku. Nemojte stavljati toplu hranu u hladnjak. Stavite je kada se ohladi, u suprotnom će temperatura/vlažnost unutar hladnjaka rasti, smanjujući učinkovitost hladnjaka.
- Uvjerite se da nema artikala u izravnom kontaktu sa stražnjim zidom uređaja jer se može stvoriti led te se isti na njega mogu zalijepiti. Nemojte otvarati vrata hladnjaka prečesto.
- Preporučujemo da meso i očišćena riba budu labavo umotani i odloženi na staklenu policu odmah iznad dijela za povrće gdje je zrak hladniji jer ovo osigurava najbolje uvjete za skladištenje.
- Skladištite voće i povrće neupakirane u posudama odjeljka za voće i povrće.
- Zasebno skladištenje voća i povrća pomaže da na povrće koje je osjetljivo na etilen (zeleno lisnato povrće, brokula, mrkva itd.) ne utiče voće koje oslobađa etilen (banana, breskva, kajsija, smokva itd.).
- Nemojte stavljati vlažno povrće u hladnjak.
- Vreme skladištenja za sve vrste proizvoda ovisi od početne kvalitete hrane i neometanog rashladnog ciklusa prije skladištenja u hladnjaku.
- Curenje tekućina iz mesa može kontaminirati druge proizvode u hladnjaku. Trebate pakirati proizvode od mesa te čistiti tekućine koje iscure na policama.
- Nemojte stavljati hranu ispred prolaza protoka zraka.
- Trebate iskoristiti upakiranu hranu prije isteka roka trajanja.

NAPOMENA:



- Krumpir, luk i češnjak ne bi trebalo čuvati u hladnjaku.
- Za normalne radne uvjete dovoljno je prilagoditi temperaturu vašeg hladnjaka na +4 °C.
- Temperatura hladnjaka mora biti u rasponu od 0-8 °C, svježija hrana ispod 0 °C ledi se i truli, koncentracija bakterija raste iznad 8 °C i kvari se hrana.
- Ne stavljajte vruću hranu u hladnjak odmah, pričekajte da se ohladi van hladnjaka. Vruća hrana povećava temperaturu vašeg hladnjaka i uzrokuje trovanje hranom i nepotrebno kvarenje hrane.
- Meso, riba i slično treba se čuvati u odjeljku za hlađenje hrane, a pregrada za povrće preferira se za povrće. (ako je dostupna)
- Kako bi se spriječila unakrsna kontaminacija, mesni proizvodi i voće i povrće ne pohranjuju se zajedno.
- Hranu treba staviti u hladnjak u zatvorene posude ili pokriti kako bi se spriječili vlaga i neugodni mirisi.

Tablica ispod je brzi vodič da vam pokaže najučinkovitije načine pohrane glavnih skupina namirnica u odjeljku vašeg hladnjaka.

Hrana	Maksimalno vrijeme pohrane	Kako i gdje pohraniti
Povrće i voće	1 tjedan	Spremnik za povrće
Meso i riba	2 - 3 dana	Uvijte u plastičnu foliju, vreće ili posude za meso i čuvajte na staklenoj polici
Svježi sir	3 - 4 dana	Na određenoj polici u vratima
Maslac i margarin	1 tjedan	Na određenoj polici u vratima
Proizvodi u bocama npr. mlijeko i jogurt	Do istjeka roka kojeg preporučuje proizvođač	Na određenoj polici u vratima
Jaja	1 mjesec	Na određenoj polici za jaja
Kuhana hrana	2 dana	Sve police

5 ČIŠĆENJE I ODRŽAVANJE



Isključite uređaj iz napajanja prije čišćenja.



Nemojte prati vaš uređaj izlivanjem vode.



Ne upotrebljavajte abrazivna sredstva, deterdžente ili sapune za čišćenje uređaja. Nakon pranja isperite čistom vodom i dobro osušite. Kad završite s čišćenjem, spojite utikač na mrežno napajanje suhim rukama.

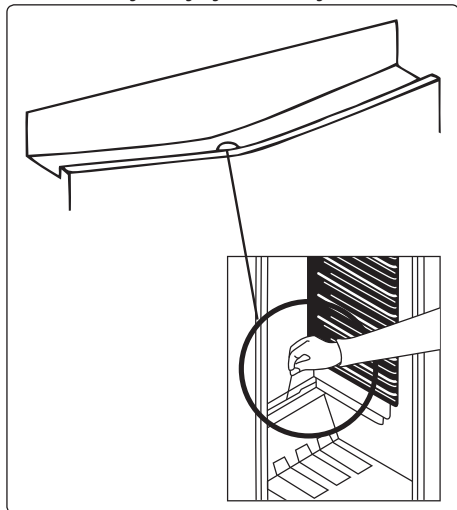
- Pobrinite se da u kućište žarulje i druge električne dijelove ne uđe voda.
- Uređaj je potrebno redovito čistiti s pomoću otopine sode bikarbone i mlake vode.
- Dodatni pribor čistiti odvojeno ručno sapunom i vodom. Dodatnu opremu ne perite u perilici posuđa.
- Kondenzator čistite četkom najmanje dva puta godišnje. To će vam pomoći da uštedite na troškovima energije i povećate produktivnost.



Napajanje mora biti isključeno tijekom čišćenja.


5.1 Odleđivanje

Odmrzavanje odjeljka hladnjaka



- Odmrzavanje se javlja automatski u odjeljku hladnjaka tijekom rada. Voda se prikuplja u posudi za isparavanje te automatski isparava.
- Posuda za isparavanje i otvor za odvod odmrznute vode bi se trebali čistiti periodično s pomoću odvodnog čepa kako bi se spriječilo skupljanje vode na dnu hladnjaka umjesto da ističe van.
- Možete također čistiti otvor za odvod ako sipate pola čaše vode u njega.


Zamjena LED svjetla

-  Za zamjenu bilo kojeg LED svjetla kontaktirajte najbliži ovlašteni servisni centar.

6 PRIENOS I PROMJENA POLOŽAJA

6.1 Prijenos i promjena položaja

- Izvorno pakiranje i pjena mogu se sačuvati u slučaju ponovnog prijenosa (po želji).
- Trebali biste učvrstiti hladnjak čvrstim pakiranjem, vrpcom ili jakim kabelima i slijediti upute za prienos paketa na pakiranju
- Uklonite sve pomične dijelove ili ih učvrstite u hladnjaku s pomoću vrpce tijekom premještanja i prijenosa.

 Uvijek nosite hladnjak u uspravnom položaju.

6.2 Promjena položaja vrata

- Nije moguće promijeniti smjer otvaranja vrata vašeg uređaja ako su ručke na vratima postavljene na prednjoj površini vrata uređaja.
- Moguće je promijeniti smjer otvaranja vrata na modelima bez ručki.
- Ako se smjer otvaranja vrata vašeg hladnjaka može promijeniti, obratite se najbližem ovlaštenom servisnom središtu kako bi vam promijenili smjer otvaranja vrata.

7 PRIJE POZIVANJA POSLIJEPRODAJNOG SERVISA

Ako imate problema s vašim **uređajem**, molimo provjerite sljedeće prije nego što pozovete postprodajni servis.

Vaš uređaj ne radi

Provjerite:

- Ima li struje
- Je li utikač pravilno priključen u utičnicu
- Je li osigurač utikača ili strujni osigurač pregorio
- Je li utičnica neispravna. Za provjeru, priključite drugi ispravan uređaj u istu utičnicu.

Uređaj slabo radi

Provjerite:

- Je li uređaj prepunjen
- Jesu li vrata uređaja pravilno zatvorena
- Ima li prašine na kondenzatoru
- Ima li dovoljno mjesta na stražnjim i bočnim stranama.

Vaš uređaj radi bučno

Kratka buka pucketanja (pucketanje leda) javlja se: Kada termostat uključi/isključi kompresor.

Buka motora: Ukazuje da kompresor normalno radi. Pri prvov aktivaciji kompresor može nakratko postati glasniji.

Zvuk ključanja ili šuma: Uslijed protoka rashladne tekućine kroz cijevi unutar sustava.

Buka protoka vode javlja se: Uslijed protoka vode u posudi za isparavanje. Ova je buka uobičajena tijekom odmrzavanja.

Zvuk puhanja zraka: Kod nekih modelatijekom normalnog rada sustava uslijed cirkulacije zraka.

Ima li stvorene vlažnosti unutar uređaja

Provjerite:

- Je li hrana ispravno zapakirana. Spremnici moraju biti suhi prije stavljanja u uređaj.

- Otvaraju li se vrata **uređaja** često. Vлага iz prostorije ulazi u **uređaj** kad se vrata otvore. Vlažnost brže raste ako se vrata otvaraju češće, posebice ako je vlažnost prostorije visoka.

Vrata se ne otvaraju ili ne zatvaraju pravilno

Provjerite:

- Je li hrana ili pakiranje sprječavaju zatvaranje vrata
- Jesu li brtve vrata neispravne ili potrgane
- Stoji li vaš**uređaj** na ravnoj podlozi?

Preporuke

- Ako je uređaj isključen ili je utikač izvađen iz utičnice, morate pričekati najmanje 5 minuta prije no ponovno pokrenete uređaj ili ponovno uključite utikač da ne bi došlo do oštećenja kompresora.
- Ako uređaj ne upotrebljavate duže vrijeme (npr. tijekom ljetnih odmor), isključite ga. Očistite vaš uređaj u skladu s odjeljkom čišćenje i ostavite vrata otvorena radi sprječavanja stvaranja vlage i neugodnog mirisa.
- Ako i dalje imate problema iako ste se pridržavali uputa iz ove knjižice, obratite se najbližem ovlaštenom servisnom centru.
- Uređaj koji ste kupili je namijenjen jedino za uporabu u kućanstvu. Nije prikladan za komercijalnu ni zajedničku uporabu. Ističemo da proizvođač i distributer nisu dužni izvršiti bilo kakve popravke niti su odgovorni za kvarove unutar jamstvenog roka ako uređaj upotrebljavate na način koji nije u skladu s navedenim uputama.

8 SAVJETI ZA UŠTEDU ENERGIJE

1. Postavite uređaj u hladnu, dobro prozračenu prostoriju, ali ne na izravnu sunčevu svjetlost niti u blizini izvora topline (kao što je radiator ili pećnica) ili u suprotnom trebate koristiti izolacijsku ploču.
2. Pričekajte dok se topla hrana i piće ne ohlade prije njihovog stavljanja u uređaj.
3. Piće ili druge tekućine trebaju biti pokriveni unutar uređaja. Ako se ostave nepokriveni, vlaga unutar uređaja će se povećati, zbog čega će uređaj trošiti više energije. Držanje pića i drugih tekućina prekrivenih pomaže u očuvanju njihovog mirisa i okusa.
4. Pokušajte izbjeći držanje vrata otvorenim na duža razdoblja ili česta otvaranja vrata jer će topli zrak ući u uređaj te prouzročiti česta nepotrebna uključenja kompresora.
5. Neka poklopci svih odjeljaka različitih temperatura u uređaju (kao što je ladica za voće i povrće i odjeljak za hlađenje ako su dostupni) budu zatvoreni.
6. Brtva vrata mora biti čista i savitljiva. U slučaju nošenja, zamijenite brtvu.

9 TEHNIČKI PODACI

Tehničke informacije nalaze se na tipskoj pločici s unutarnje strane uređaja i na energetske naljepnici.

QR kod na energetske naljepnici isporučenoj s uređajem pruža internetsku vezu do podataka koji se odnose na performanse uređaja u bazi podataka EU EPREL.

Zadržite energetske naljepnicu za referencu zajedno s korisničkim priručnikom i svim ostalim dokumentima koji se isporučuju s ovim uređajem.

Isto se informacije mogu naći u EPREL-u putem veze <https://eprel.ec.europa.eu> te naziv modela i broj proizvoda koji se nalaze na tipskoj pločici uređaja.

Posjetite www.theenergylabel.eu za detaljne informacije o energetske naljepnici.

10 INFORMACIJE ZA ISPITNE INSTITUTE

Ugradnja i priprema uređaja za provjeru EcoDesign-a mora biti u skladu s EN 62552. Zahtjevi za provjetranje, dimenzije udubljenja i minimalni razmak stražnje strane moraju biti navedeni u ovom korisničkom priručniku u DIJELU 2. Molimo kontaktirajte proizvođača za sve dodatne informacije, uključujući planove utovara.

11 KORISNIČKE USLUGE I SERVIS

Uvijek koristite jedino originalne pričuvne dijelove.

Kada kontaktirate naš ovlašteni servisni centar, provjerite imate li na raspolaganju sljedeće podatke: Model, Serijski broj.

Podaci se mogu naći na tipskoj pločici.

Posjetite našu web stranicu da:
<https://www.voxelectronics.com>



SLV

KS2830E / KS2830SE

NAVODILA ZA UPORABO HLADILNIK

VSEBINA

1 VARNOSTNA NAVODILA.....	52
1.1 Splošna varnostna opozorila	52
1.2 Opozorila o namestitvi	56
1.3 Med uporabo	56
2 OPIS NAPRAVE.....	58
2.1 Dimenzije.....	59
3 UPORABA NAPRAVE	60
3.1 Nastavitev termostata.....	60
3.2 Opozorila o nastavitvah temperature.....	60
4 RAZPOREJANJE HRANE V NAPRAVI	61
4.1 Predel hladilnika	61
5 ČIŠČENJE IN VZDRŽEVANJE	62
5.1 Odtaljevanje.....	62
6 PREVAŽANJE IN PREMIKANJE	63
6.1 Premestitev vrat.....	63
7 PRED KLICANJEM POPRODAJNEGA SERVISERJA	63
8 NASVETI ZA VARČEVANJE Z ENERGIJO	65
9 POGLAVJE: TEHNIČNI PODATKI	65
10 INFORMACIJE ZA PRESKUSNE INSTITUTE	66
11 POGLAVJE: SKRB ZA STRANKE IN STORITVE	66

1 VARNOSTNA NAVODILA

1.1 Splošna varnostna opozorila

Pazljivo preberite ta uporabniški priročnik.

⚠ OPOZORILO: Ventilacijske odprtine v ohišju naprave ali v vgrajeni konstrukciji ne smejo biti ovirane.

⚠ OPOZORILO: Za pospeševanje odmrzovanja ne uporabljajte mehanskih naprav ali drugih sredstev, razen tistih, ki jih priporoča proizvajalec.

⚠ OPOZORILO: Ne uporabljajte električnih naprav v notranjosti delov naprave za shranjevanje živil, razen če so takšne vrste, ki jih priporoča proizvajalec.

⚠ OPOZORILO: Ne poškodujte hladilnega sistema.

⚠ OPOZORILO: Pri namestitvi naprave se prepričajte, da napajalni kabel ni zataknjen ali poškodovan.

⚠ OPOZORILO: Na zadnji del naprave ne nameščajte več prenosnih vtičnic ali prenosnih virov napajanja.

⚠ OPOZORILO: Da bi se izognili nevarnosti zaradi nestabilne naprave, jo morate namestiti v skladu z navodili.

⚠ Če vaša naprava kot hladilno sredstvo uporablja R600a (ti podatki bodo navedeni na etiketi zamrzovalnika), morate pri prevozu in namestitvi paziti, da se elementi zamrzovalnika ne poškodujejo. R600a je okolju prijazen in zemeljski plin, vendar je

eksploziven. Če pride do puščanja zaradi poškodb hladnejših elementov, hladilnik odmaknite od odprtega ognja ali toplotnih virov in nekaj minut prezračite sobo, v kateri je aparat.

- Medtem ko nosite in nameščate hladilnik, ne poškodujte kroga hladilnega plina.
- V tej napravi ne hranite eksplozivnih snovi, kot so pločevinke aerosola z vnetljivim pogonskim plinom.
- Ta aparat je namenjen za uporabo v hišah in gospodinjskih aplikacijah, kot so:
 - kuhinjska območja za osebje v trgovinah, pisarnah in drugih delovnih okoljih,
 - kmetije in stranke v hotelih in drugih podobnih stanovanjskih okoljih,
 - v hostelih in motelih;
 - gostinske storitve in podobne maloprodajne objekte.
- Če vtičnica ne ustreza vtiču hladilnika, jo mora zamenjati proizvajalec, servis ali podobno usposobljene osebe, da se izognete nevarnosti.
- Na napajalni kabel vašega hladilnika je priključen posebej ozemljen vtič. Ta vtič je treba uporabljati s posebej ozemljeno vtičnico 16 amperov. Če v vaši hiši ni takšne vtičnice, naj vam jo namesti usposobljeni električar.
- To napravo lahko uporabljajo otroci, stari 8 let ali več in osebe, ki imajo zmanjšane telesne, čutne ali umske zmožnosti ali so brez izkušenj in znanja, če

so pod nadzorom ali so prejele navodila za varno uporabo naprave in razumejo vpletena tveganja. Otroci se ne smejo igrati z napravo. Otroci ne smejo opravljati čiščenja ali vzdrževanja naprave brez nadzora.

- Otrokom starosti od 3 do 8 let je dovoljeno napolniti in izprazniti hladilne naprave. Otroci naj ne opravljajo čiščenja ali vzdrževanja naprave, zelo majhni otroci (od 0 do 3 let) naprav naj ne uporabljajo, od majhnih otroci (od 3-8 let) ne pričakujemo, da naprave uporabljajo varno, razen če so pod stalnim nadzorom, starejši otroci (8-14 let) in ranljivi ljudi lahko naprave uporabljajo varno z ustreznim spremstvom ali po navodilih o uporabi naprave. Od bolj ranljivih oseb se ne pričakuje, da naprave uporabljajo varno, razen, če so z ustreznim spremstvom.
- Če je napajalni kabel poškodovan, ga mora zamenjati proizvajalec, serviser ali podobna usposobljena oseba, da bi se izognili tveganjem.
- Ta naprava ni namenjena za uporabo na višini, ki presega 2000 m.

Da se izognete kontaminaciji hrane, upoštevajte naslednja navodila:

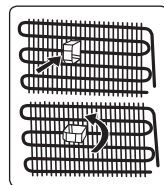
- Predolgo odprta vrata lahko povzročajo znatno povečanje temperature v predelih naprave.
- Redno čistite površine, ki lahko pridejo v stik z živili in dostopne drenažne sisteme
- Surovo meso in ribe shranjujte v primernih posodah v hladilniku, tako da ne pridejo v stik z drugimi živili ali ne kapljajo nanje.
- Predali z zamrznjeno hrano z dvema zvezdicama so primerni za shranjevanje zamrznjene hrane, shranjevanje ali pripravo sladoleda ter pripravo ledenih kock.
- Predali z eno, dvema in tremi zvezdicami niso primerni za zamrzovanje sveže hrane.
- Če je hladilni aparat dlje časa prazen, ga izklopite, odmrznite, očistite, posušite in pustite vrata odprta, da se v aparatu ne razvije plesen.

1.2 Opozorila o namestitvi

Pred prvo uporabo hladilnika bodite pozorni na naslednje točke:

- Delovna napetost vašega hladilnika je 220-240 V pri 50 Hz.
- Vtič mora biti po namestitvi dostopen.
- Hladilnik ima lahko vonj, ko ga prvič uporabljate. To je normalno in vonj bo izginil, ko se bo hladilnik začel hladiti.
- Preden priključite hladilnik, se prepričajte, da se podatki na tablici (napetost in priključena obremenitev) ujemajo z informacijami o električnem omrežju. Če dvomite, se posvetujte s kvalificiranim električarjem.
- Vtič vstavite v vtičnico z učinkovito ozemljitvijo. Če vtičnica nima ozemljitve ali če se vtič ne ujema, priporočamo, da se za pomoč obrnete na usposobljenega električarja.
- Naprava mora biti povezana s pravilno nameščeno varovano vtičnico. Napajanje (AC) in napetost v delovni točki se morata ujemati s podrobnostmi na tipski ploščici naprave (tipska plošča se nahaja na notranji levi strani aparata).
- Ne sprejemamo odgovornosti za škodo, ki lahko nastane zaradi uporabe brez nameščene ozemljitve.
- Hladilnik postavite tam, kjer ne bo izpostavljen neposredni sončni svetlobi.
- Nikoli ne uporabljajte hladilnika na prostem in ne izpostavljajte dežju.
- Vaša naprava mora biti oddaljena najmanj 50 cm od štedilnikov, plinskih peč in grelnih jeder ter najmanj 5 cm od električnih pečic.
- Če je vaš hladilnik postavljen ob zamrzovalne skrinje, mora biti med njimi vsaj 2 cm, da se prepreči vlaga na zunanji površini.
- Ne pokrivajte ohišje ali zgornjo stran hladilnika s čipko. To bo vplivalo na delovanje vašega hladilnika.
- Nad napravo pustite vsaj 150 mm prostora. Na vrh naprave ne polagajte ničesar.

- Na aparat ne postavljajte težkih predmetov.
- Pred uporabo temeljito očistite aparat (glejte Čiščenje in Vzdrževanje).
- Pred uporabo hladilnika obrišite vse dele z raztopino tople vode in žličko sode bikarbone. Nato sperite s čisto vodo in posušite. Po čiščenju vrnite vse dele v hladilnik.
- Ustrezno prilagodite nastavljive sprednje nogice, da zagotovite, da je vaša naprava ravna in stabilna. Noge lahko prilagodite tako, da jih obrnete v katero koli smer. To je treba storiti, preden položite hrano v hladilnik.
- Da preprečite kondenzatorju, da se dotika stene, namestite plastična distančnika (črni element s krilci -kondenzator - na zadnji strani), tako, da jih zavrtite za 90 °, kot prikazuje slika.
- Razdalja med napravo in zadnjo steno mora biti največ 75 mm.

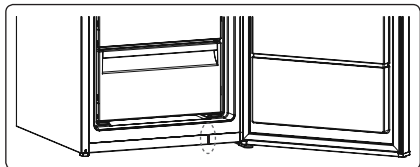


1.3 Med uporabo

- Ne priključujte hladilnika na električno omrežje s podaljškom.
- Ne uporabljajte poškodovanih, raztrganih ali starih vtičev.
- Kabla ne vlecite, ne upognite ali poškodujte.
- Ne uporabljajte vtičnega adapterja.
- Ta aparat je zasnovan za uporabo odraslih. Ne dovolite otrokom, da se igrajo z aparatom ali visijo z vrati.
- Nikoli se ne dotikajte napajalnega kabla/vtiča z mokrimi rokami. To lahko povzroči kratek stik ali električni udar.
- V hladilnik ne postavljajte eksplozivnih ali vnetljivih snovi. Pijače z visoko vsebnostjo alkohola postavite navpično v predel hladilnika in poskrbite, da so njihovi vrhovi tesno zaprti.

Ko so vrata zamrzovalnika zaprta, nastalo bo vakuumsko tesnilo. Počakajte 1 minuto, preden jo ponovno odprete.

Ta aplikacija ni obvezna za enostavno odpiranje vrat. S to aplikacijo lahko na tem območju nastane malo kondenzacije in jo lahko odstranite.



Stari in nedelujoči hladilniki

- Če ima vaš stari hladilnik ali zamrzovalnik ključavnico, preden ga zavržete, zaklenite ali odstranite ključavnico, saj se lahko otroci v njej ujamejo in povzročijo nesrečo.
- Stari hladilniki in zamrzovalniki vsebujejo izolacijski material in hladilno sredstvo s CFC-jem. Zato pazite, da ne škodujete okolju, ko se vaši stari hladilniki zavržejo.

Izjava CE o skladnosti

Izjavljamo, da naši izdelki ustrezajo veljavnim evropskim direktivam, odločbam in predpisom ter zahtevam, navedenim v omenjenih standardih.

Odstranjevanje starega aparata

Simbol na izdelku ali na embalaži označuje, da tega izdelka ne smete obravnavati kot gospodinjske odpadke. Namesto tega se izroči ustreznemu zbirnemu mestu za reciklanje električne in elektronske opreme. S pravilnim odlaganjem tega izdelka boste preprečili morebitne negativne posledice za okolje in zdravje ljudi, ki bi sicer lahko nastale zaradi neprimerne ravnanja z odpadki s tem izdelkom. Za podrobnejše informacije o recikliranju tega izdelka se obrnite na lokalno mestno pisarno, službo za odvoz gospodinjskih odpadkov ali trgovino, kjer ste izdelek kupili.



Embalaža in okolje

Embalažni materiali ščitijo vaš stroj pred poškodbami, ki se lahko pojavijo med prevozom.



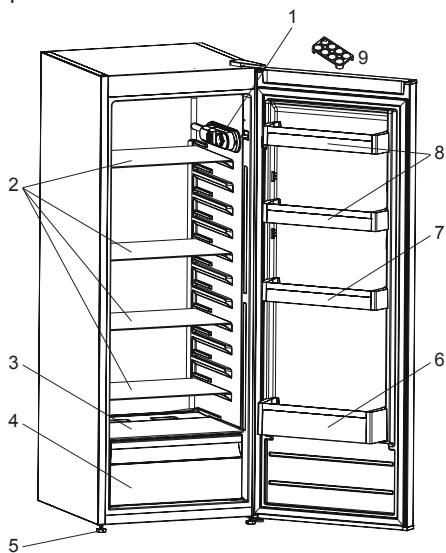
Embalažni materiali so okolju prijazni, saj jih je mogoče reciklirati. Uporaba recikliranega materiala zmanjšuje porabo surovin in s tem zmanjšuje nastajanje odpadkov.


Opombe:

- Prosimo, skrbno preberite navodila za uporabo pred namestitvijo in uporabo vaše naprave. Ne odgovarjamo za škodo, ki je nastala zaradi napačne uporabe.
- Sledite vsem navodilom na napravi in navodilom priročnika za uporabo, in ta priročnik hranite na varnem mestu, da rešite težave, ki se lahko pojavijo v prihodnosti.
- Naprava je proizvedena za uporabo v domovih in se lahko uporablja le v gospodinjskih okoljih in za določene namene. Ni primerna za poslovno ali skupno uporabo. Takšna nenamenska uporaba prekine jamstvo za napravo in naše podjetje ne odgovarja za možno škodo.
- Naprava je proizvedena za uporabo v hišah in je primerna le za hlajenje / shranjevanje hrane. Ni primerna za poslovno ali skupno uporabo in/ali za shranjevanje snovi, razen za hrano. Naše podjetje ne odgovarja za morebitne izgube, ki bi nastale zaradi neustrezne uporabe naprave.

2 OPIS NAPRAVE

Ta aparat ni namenjen uporabi kot vgradni aparat.



 Ta predstavitev je le za informacije o delih naprave. Deli se lahko razlikujejo glede na model vaše naprave.

- 1) Gumb termostata
- 2) Police hladilnika
- 3) Pokrov predala za ohranjanje sadja in zelenjave
- 4) Predal za ohranjanje sadja in zelenjave
- 5) Regulacijske noge
- 6) Polica za steklenice
- 7) Nastavljiva polica za vrata * / Polica za vrata
- 8) Police na vratih
- 9) Nosilec za jajca

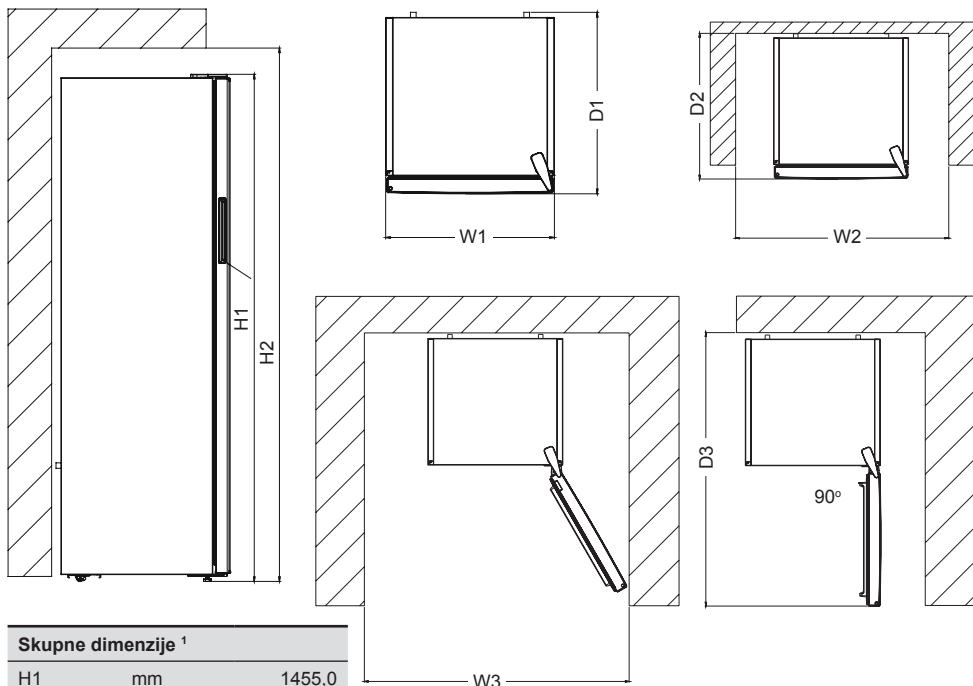
** Pri nekaterih modelih*

Splošne opombe

Predal za svežo hrano (hladilnik):

Najučinkovitejša uporaba energije je zagotovljena pri konfiguraciji s predali v spodnjem delu naprave in enakomerno razporejenimi policami. Položaj vratnih posod ne vpliva na porabo energije.

2.1 Dimenzije



Skupne dimenzije ¹		
H1	mm	1455,0
W1	mm	540,0
D1	mm	595,0

¹ višino, širino in globino aparata brez ročajaja in nog.

Prostor, potreben pri uporabi ²		
H2	mm	1605,0
W2	mm	640,0
D2	mm	692,8

² višina, širina in globina naprave, vključno z ročajem, in prostor, potreben za prosto kroženje hladilnega zraka

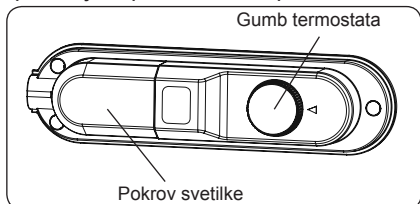
Skupni prostor, potreben pri uporabi ³		
W3	mm	659,8
D3	mm	1142,3

³ višina, širina in globina naprave, vključno z ročajem, plus prostor, potreben za prosto kroženje hladilnega zraka, plus prostor, potreben za odpiranje vrat do najmanjšega kota, ki omogoča odstranitev vse notranje opreme.

3 UPORABA NAPRAVE

3.1 Nastavitev termostata

Termostat samodejno uravnava temperaturo v hladilniku. Z vrtenjem gumba od položaja 1 proti 5 se temperatura niža.



Nastavljanje termostata

1 – 2 : Za kratkotrajno shranjevanje hrane v hladilniku gumb termostata namestite med najnižji in srednji položaj.

3 – 4 : Za dolgotrajno shranjevanje hrane v hladilniku gumb termostata namestite na srednji položaj.

Nastavite gumb na 5 za pogosto uporabo sveže hrane in hladilnika oddelkov pri vročih temperaturah okolice.

3.2 Opozorila o nastavitvah temperature

- Temperaturo je treba prilagoditi glede na pogostost odpiranja vrat in količino hrane, ki jo hranite v hladilniku.
- Zaradi njegove učinkovitosti hladilnika ni priporočeno uporabljati v okoljih, ki so hladnejša od 10 °C.
- Vaš hladilnik mora delovati do 24 ur glede na temperaturo okolja brez prekinitev, po tem, ko ste ga vključili, da se popolnoma ohladi. V tem času ne odpirajte vrat hladilnika prepogosto in vanj ne polagajte preveč hrane.
- Funkcija 5-minutne zakasnitve se uporablja za preprečevanje okvare kompresorja hladilnika, ko ga izključite in nato ponovno vključite ali pa ko pride do izpada elektrike. Vaš hladilnik bo začel normalno delovati po 5 minutah.
- Vaš hladilnik je oblikovan za delovanje v intervalih temperature okolja, ki so

navedeni v standardih glede na razred podnebja, ki je naveden na etiketi s podatki. Zaradi učinkovitosti hlajenja vašega hladilnika ni priporočeno uporabljati zunaj navedenih temperaturnih omejitev.

- Vaša naprava je zasnovana tako, da deluje v intervalih temperature okolja (N = 16 °C - 32 °C), določenih v standardih, v skladu s klimatskim razredom, ki je naveden na informacijski nalepki. Zaradi učinkovitosti hlajenja hladilnika ni priporočeno uporabljati zunaj navedenih temperaturnih omejitev.

Klimatski razred in pomen

T (tropski): Hladilni aparat je namenjen za uporabo pri zunanjih temperaturah od 16 °C do 43 °C.

ST (subtropski): Hladilni aparat je namenjen za uporabo pri zunanjih temperaturah od 16 °C do 38 °C.

N (zmerno): Hladilni aparat je namenjen za uporabo pri zunanjih temperaturah od 16 °C do 32 °C.

SN (razširjeno zmerno): Hladilni aparat je namenjen za uporabo pri zunanjih temperaturah od 10 °C do 32 °C.

4 RAZPOREJANJE HRANE V NAPRAVI

4.1 Predel hladilnika

- TČe želite zmanjšati vlažnost in posledično nabiranje ledu, v hladilnik nikoli ne postavljajte tekočih v nezaprth posodah. Zmrzal se pogosto nabira na najhladnejših delih izparilnika in bo s časoma zahtevala pogostejše odtajanje.
- V hladilnik nikoli ne postavljajte tople hrane. Topla hrana se mora najprej ohladiti na sobno temperaturo, prav tako pa jo je treba urediti tako, da zagotovite zadostno kroženje zraka v predelu hladilnika.
- Nič se ne sme dotikati zadnje strani hladilnika, saj lahko povzroči nabiranje zmrzali, kamor se paketi potem prilepijo. Ne odpirajte hladilnika prepogosto.
- Uredite meso in očiščene ribe (zavite v pakete ali kose plastike), ki jih boste uporabili v 1-2 dneh, v spodnji del predela hladilnika (nad osveževalcem), saj je to najhladnejši predel in bo zagotovil najboljše pogoje shranjevanja.
- Sadje in zelenjavo lahko postavite v osvežilnik brez embalaže.



OPOMBA: Krompir, čebulo in česen raje ne hranite v hladilniku.






- V običajnih delovnih pogojih bo zadostovalo, če nastavite temperaturo vašega hladilnika na +4 °C.
- Temperatura predela hladilnika mora biti med 0 in 8 °C, sveža hrana pod 0 °C se zamrzne in zgrije, nastajanje bakterij se nad 8 °C poveča in pokvari hrano.
- Vroče hrane v hladilnik ne vstavljajte takoj, ampak počakajte, da se ohladi zunaj. Vroča hrana poviša temperaturo v hladilniku in povzroči nepotrebno pokvarjeno hrano.
- Meso, ribe ipd. shranjujte v hladilnem predalu, za zelenjavo priporočamo predal za zelenjavo (če je na voljo).

- Da ne bi prišlo do navzkrižne kontaminacije, ne shranjujte mesnih izdelkov skupaj s sadjem in zelenjavo.
- Hrano v hladilnik vstavljajte v zaprtih posodah ali pokrito, da preprečite razširjanje vlage in vonjav.

Nekatera priporočila za razporejanje in shranjevanje hrane v predel hlajenja so navedena spodaj.

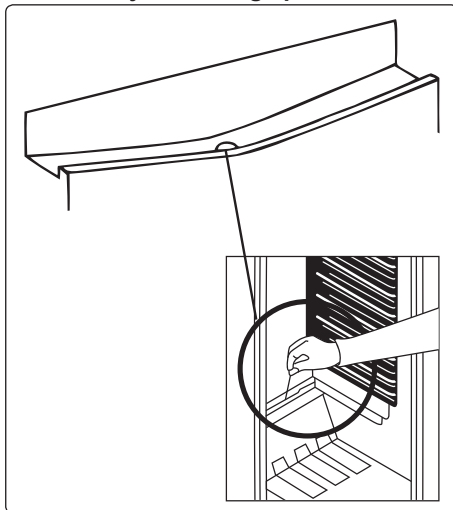
Hrana	Najdaljši dovoljeni čas hranjenja	Kam postaviti v predel hladilnika
Zelenjava in sadje	1 teden	Košara za zelenjavo
Meso in ribe	2 - 3 dni	Zavito v plastično folijo ali vrečke ali v posodi za meso (na stekleni polici)
Sveži sir	3 - 4 dni	Na posebno polico na vratih
Maslo in margarina	1 teden	Na posebno polico na vratih
Ustekleničeni izdelki, mleko in jogurt	Do izteka roka, ki ga priporoča proizvajalec	Na posebno polico na vratih
Jajca	1 mesec	V predal za jajca
Kuhana hrana	2 dni	Vse police

5 ČIŠČENJE IN VZDRŽEVANJE

-  Pred čiščenjem in vzdrževalnimi deli napravo izključite iz vtičnice.
 -  Naprave ne čistite tako, da po njej polivate vodo.
 -  Ne uporabljajte grobih čistilnih sredstev. Po tem, ko ste jih oprali, jih sperite s čisto vodo in dobro osušite. Ko je čiščenje končano, vključite kabel (ne z mokrimi ali vlažnimi rokami!) nazaj v vtičnico.
 - Notranjosti hladilniškega predela občasno očistite s toplo vodo, v kateri je raztopljene nekaj sode bikarbone.
 - Dodatke čistite posebej z vodo in blagim čistilom. Ne dajajte jih v pomivalni stroj.
 - Kondenzator očistite z metlo vsaj enkrat na leto, saj boste tako prihranili z energijo in izboljšali delovanje.
-   **Prepričajte se, da je vaš hladilnik med čiščenjem izključen iz napajanja.**


5.1 Odtaljevanje

Odmrzovanje hladilnega prostora




- Med delovanjem se v hladilniku samodejno zgodi odmrzovanje. Vodo zbira pladenj za izhlapevanje in samodejno izhlapi.
- Pladenj za izhlapevanje in odtočno odprtino za vodo je treba redno čistiti s čepom za odmrzovanje, da se prepreči zbiranje vode na dnu hladilnika, namesto da bi stekla ven.
- Odtočno luknjo lahko očistite tudi tako, da ji nalijete pol kozarca vode.

Zamenjava osvetlitve LED

-  Če ima vaš hladilnik z zamrzovalnikom osvetlitev LED, stopite v stik s, saj jo lahko zamenja le pooblaščen osebje.

6 PREVAŽANJE IN PREMIKANJE

- Originalno embalažo in peno je dobro shraniti za ponovni prevoz (opcijsko).
- Pritrdite vaš hladilnik z debelo embalažo, pasovi ali močnih vrvmi in sledite navodilom za prevoz v embalaži za ponovni prevoz.
- Odstranite premične dele (police, dodatke, posode za zelenjavo itd.) ali pa jih zavarujte v hladilniku pred udarci z uporabo trakov pri ponovnem premikanju in prevozu.

 Vaš hladilnik nosite v pokončnem položaju.

6.1 Premestitev vrat

- Smer odpiranja vrat vašega hladilnika ni mogoče spreminjati, če so ročaji vrat na vašem hladilniku nameščeni na sprednji površini vrat.
- Smer odpiranja vrat je mogoče spremeniti pri modelih brez ročajev.
- Če se smer odpiranja vrat vašega hladilnika lahko spremeni, kontaktirajte najbližji servis, da vam spremeni smer odpiranja vrat.

7 PRED KLICANJEM POPRODAJNEGA SERVISERJA

Če vaš hladilnik ne deluje pravilno, je lahko vzrok le manjša težava. Preverite naslednje.

Če vaš hladilnik ne deluje;

- Je prišlo do izpada elektrike?
- Je vtič pravilno vključen v vtičnico?
- Je pregoreta varovalka za vtičnico, na katero je priključen vtič ali pa glavna varovalka?
- Ali obstaja kakšna napaka v vtičnici? Če želite preveriti, vključite hladilnik v vtičnico, za katero ste prepričani, da deluje.

Če vaš hladilnik ne hladi dovolj;

- Je temperaturna nastavitev ustrezna?
- Se vrata vašega hladilnika pogosto odpirajo ali so odprta dlje časa?
- Ali so vrata hladilnika ustrezno zaprta?
- Ali ste dali hrano v hladilnik, tako da se dotika zadnje stene hladilnika in preprečuje pretok zraka?
- Ali je vaš hladilnik pretirano napolnjen?
- Je zadostna razdalje med vašim hladilnikom in zadnjo ter stransko steno?
- Je temperatura prostora med vrednostmi, določenimi v navodilih za uporabo?

Če vaš hladilnik glasno deluje;

Za ohranjanje nastavljene stopnje hlajenja se lahko od časa do časa vklopi kompresor. To je normalen hrup in pomeni, da kompresor deluje normalno. Ko se doseže zahtevana stopnja hlajenja, se hrup samodejno zmanjša. Če hrup ne izgine;

- Je vaša naprava stabilna? So nogice prilagojene?
- Ali je kaj za hladilnikom?
- Ali police ali posoda na policah vibrira? V tem primeru premestite police in/ali posode.
- Ali predmeti, ki so postavljeni na vaš hladilnik, vibrirajo?

Običajni zvoki;

Kratek hrup pokanja: To se sliši, ko termostat vklopi/izklopi kompresor.

Hrup kompresorja (normalen hrup motorja): To je normalen hrup motorja. Ta hrup pomeni, da kompresor deluje normalno. Ker se kompresor zaganja, lahko za kratek čas deluje malo bolj hrupno.

Zvok žuborenja in brbotanja: Ta hrup nastaja, ko hladilna tekočina teče skozi cevi sistema.

Zvok pretakanja vode: To je normalni zvok vode, ki teče v izparilno posodo med postopkom odtajanja. Ta zvok lahko slišite med postopkom odtajanja.

Zvok pihanja zraka (normalen zvok ventilatorja): Ta zvok je lahko slišite zaradi kroženje zraka v hladilnikih s funkcijo No-Frost, kadar sistem deluje normalno.

Če se v hladilniku nabira vlaga;

- Je bila hrana ustrezno pakirana? Ste skodelice dobro osušili, preden ste jih dali v hladilnik?
- So vrata hladilnika pogosto odprta? Ko se odprejo vrata, vlažnost v zraku prostora vstopi v hladilnik. Še posebej, če je stopnja vlažnosti v prostoru previsoka, se pri pogostejšem odpiranju vrat hitreje nabira vlaga.
- Nabiranje vodnih kapljic na zadnji steni po postopku samodejnega odtajanja je normalno (pri statičnih modelih).

Če se vrata ne dajo pravilno odpreti in zapreti;

- Ali paketi hrane preprečujejo vratom zapiranje?
- So bili predeli na vratih, police in predali pravilno nameščeni?
- So tesnila vrat okvarjena ali raztrgana?
- Ali vaš hladilnik stoji na ravni podlagi?

POMEMBNE OPOMBE:

- Funkcija zaščite kompresorja bo aktivirana ob nenadnem izklopu napajanja ali izklopu naprave, saj plin v hladilnem sistemu še ni stabiliziran. Nič ne skrbite, saj bo vaš hladilnik začel delovati po 5 minutah.
- Če dlje časa ne boste uporabljali vašega hladilnika (npr. poletne počitnice), ga izklopite iz napajanja. Očistite hladilnik v skladu s 5. delom in pustite vrata odprta, da preprečite nabiranje vlage in neprijetnega vonja.
- Če težava še ni odpravljena, potem ko ste sledili vsem zgornjim navodilom, se obrnite na najbližji pooblaščen servis.
- Naprava, ki ste jo kupili, je namenjena samo za domačo uporabo in za navedene namene. Ni primerna za poslovno ali skupno uporabo. Če potrošnik uporablja napravo na način, ki ni v skladu s to funkcijo, poudarjamo, da proizvajalec in trgovec nista odgovorna za popravila in okvare v garancijskem roku.

8 NASVETI ZA VARČEVANJE Z ENERGIJO

1. Namestite napravo v hladno, dobro prezračevano sobo, vendar ne pod neposredno sončno svetlobo in ne v bližino virov toplote (radiator, štedilnik itd.). V nasprotnem primeru uporabite izolirno ploščo.
2. Dovolite, da se obdelana hrana in pijača ohladi zunaj naprave.
3. Če dajete noter pijače in tekočine, jih zaprite. V nasprotnem primeru se v napravi poveča vlaga. Zato se delovni čas ohlajevanja podaljša. Pokritost pijač in tekočin pomaga preprečiti vonjave in spremembe okusov.
4. Ko vnašate hrano in pijačo, odprite vrata za najkrajši možni čas.
5. Vse pokrove za različne temperaturne predele naprave imejte zaprta (osveževalnik, hladilni predel itd.).
6. Tesnilo vrat mora biti čisto in prožnost. Zamenjajte tesnilo, če je to obrabljeno.

9 POGLAVJE: TEHNIČNI PODATKI

Tehnični podatki se nahajajo na tipski ploščici na notranji strani naprave in na energijski nalepki.

QR koda na energijski nalepki, ki je priložena napravi, vsebuje spletno povezavo do informacij, povezanih z delovanjem naprave v podatkovni bazi EU EPREL.

Hranite energijsko nalepko za referenco skupaj z uporabniškim priročnikom in vsemi drugimi dokumenti, ki so priloženi tej napravi.

Enake podatke je mogoče najti tudi v EPREL s povezavo na spletno stran <https://eprel.ec.europa.eu> ter ime modela in številko izdelka, ki ga najdete na tipski ploščici naprave.

Za podrobne informacije o energijski nalepki glejte povezavo www.theenergylabel.eu.

10 INFORMACIJE ZA PRESKUSNE INSTITUTE

Namestitev in priprava naprave za vsako EcoDesign preverjanje mora biti v skladu z EN 62552. Zahteve za prezračevanje, mere vdolbine in najmanjši odmiki zadaj morajo biti, kot so navedene v tem Uporabniškem priročniku v RAZDELEK 2. Za vse dodatne informacije, vključno z načrti za nakladanje, se obrnite na proizvajalca.

11 POGLAVJE: SKRB ZA STRANKE IN STORITVE

Uporabljajte samo originalne nadomestne dele.

Ko se obrnete na naš pooblaščen servisni center, preverite, ali imate na voljo naslednje podatke: Model, Serijsko Številko.

Informacije najdete na tipski tablici. Oznako z oceno najdete v območju hladilnika na levi spodnji strani..

Izvirni nadomestni deli za nekatere posebne sestavne dele so na voljo najmanj 7 ali 10 let, odvisno od vrste sestavnega dela, od dajanja zadnje enote modela na trg.

Obiščite našo spletno stran, če:
<https://www.voxelectronics.com>



MKD

KS2830E / KS2830SE

УПАТСТВА ЗА РАКУВАЊЕ ЛАДИЛНИК

СОДРЖИНА

1 БЕЗБЕДНОСНИ УПАТСТВА	68
1.1 Општи безбедносни предупредувања.....	68
1.2 Предупредувања за монтирање.....	72
1.3 При користење.....	72
2 ОПИС НА АПАРАТОТ	74
2.1 Димензии	75
3 УПОТРЕБА НА АПАРАТОТ	76
3.1.1 Поставки на термостатот	76
3.1 Предупредувања за приспособување на температурата.....	76
4 ЧУВАЊЕ НА ХРАНА	77
5 ЧИСТЕЊЕ И ОДРЖУВАЊЕ	78
5.1 Одмрзнување	79
6 ТРАНСПОРТ И ПРЕМЕСТУВАЊЕ	79
6.1 Транспорт и менување позиција.....	79
6.2 Менување на положбата на вратата.....	79
7 ПРЕД ДА ПОВИКАТЕ СЕРВИСЕР	80
8 СОВЕТИ ЗА ЗАШТЕДА НА ЕНЕРГИЈА	81
9 ТЕХНИЧКИ ПОДАТОЦИ.....	81
10 ИНФОРМАЦИИ ЗА ИНСТИТУТИ ЗА ТЕСТИРАЊЕ.....	82
11 ГРИЖА ЗА КОРИСНИЦИ И СЕРВИС	82

1 БЕЗБЕДНОСНИ УПАТСТВА

1.1 Општи безбедносни предупредувања

Внимателно прочитајте го упатството за употреба.

⚠ ПРЕДУПРЕДУВАЊЕ: Одржувајте ги отворите за вентилација во апаратот или во вградениот елемент чисти и без препреки.

⚠ ПРЕДУПРЕДУВАЊЕ: Не користете механички уреди или други средства за да го забрзате процесот на одмрзнување освен оние што ги препорачува производителот.

⚠ ПРЕДУПРЕДУВАЊЕ: Не користете електрични апарати во преградите за чување храна, освен ако тие не се препорачани од производителот.

⚠ ПРЕДУПРЕДУВАЊЕ: Не оштетувајте го колото за ладење.

⚠ ПРЕДУПРЕДУВАЊЕ: Кога го позиционирате апаратот, гледајте кабелот за струја да не биде заглавен или оштетен.

⚠ ПРЕДУПРЕДУВАЊЕ: Немојте да поставувате повеќе продолжни кабли или утикачи на задниот дел од апаратот.

⚠ ПРЕДУПРЕДУВАЊЕ: Апаратот мора да се фиксира согласно упатствата за да се избегне ризикот да биде нестабилен.

⚠ Ако апаратот користи R600a како средство за ладење (овие информации се наведени на

етикетата на ладилникот), тогаш треба да внимавате при транспорт и монтажа за да спречите оштетување на елементите од ладилникот. R600a не е штетен за животната средина и е природен гас, но е експлозивен. Во случај на протекување заради оштетување на елементите во системот за ладење, преместете го подалеку од извори на отворен оган и топлина и проветрете ја просторијата каде што е сместен неколку минути.

- Не оштетувајте го системот со средството за ладење при транспорт и поставување на ладилникот.
- Не чувајте експлозивни материи како што се лименки со аеросоли со запаливо гориво во овој апарат.
- Овој производ е наменет да се користи во домаќинства и слични примени како што се:
 - кујнски простории во дуќани, канцеларии и други работни средини.
 - фарми и од страна на гости во хотели, мотели и други места наменети за престој.
 - објекти наменети за преноќување со појадок;
 - подготовка и испорака на храна и слични други некомерцијални примени.
- Ако штекерот не одговара на приклучокот на ладилникот производителот, сервисерот или соодветно квалификувано лице мора да го смени за да се избегнат ризични состојби.

- Кабелот за напојување на ладилникот има специјално заземјен приклучок на него. Овој приклучок треба да се користи со специјално заземјен штекер рангиран на 16 ампери. Ако таков штекер нема во куќата, повикајте квалификуван електричар да го монтира.
- Овој производ може да го употребуваат деца постари од 8 години и лица со намалени физички, сензорни или ментални способности или без искуство и познавање доколку се под надзор или им се даваат упатства за безбедна употреба на производот и ги разбираат опасностите што доаѓаат. Децата не смее да си играат со апаратот. Уредот не смеат да го чистат и одржуваат деца без надзор.
- Деца на возраст од 3 до 8 години можат да ги полнат и празнат уредите за ладење. Не се очекува деца да го чистат или да го одржуваат апаратот, не се очекува многу мали деца (0-3 години) да ги користат уредите, не се очекува мали деца (3-8 години) да ги користат безбедно уредите доколку не се под постојана контрола, повозрасни деца (8-14 години) и лица со посебни потреби можат да ги користат уредите безбедно по соодветна контрола или насоки за користење на апаратот. Не се очекува лицата со поголеми посебни потреби да ги користат безбедно уредите без континуирана контрола.

- Ако кабелот за напојување е оштетен, производителот, сервисерот или соодветно квалификувано лице мора да го смени за да се избегнат опасности.
- Овој уред не е наменет за употреба на надморска височина повисока од 2000 m.

За да се избегне загадување на храна, ве молиме придржувајте се до следните упатства:

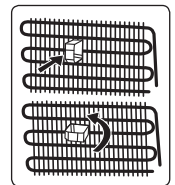
- Отворање на вратата подолго време може да предизвика значително зголемување на температурата во преградите на апаратот.
- Редовно чистете ги површините што можат да дојдат во контакт со храна и достапните системи за одвод
- Чувајте го сировото месо и риба во соодветните садови во ладилникот, со што нема да бидат во контакт или да прокапуваат врз друга храна.
- Деловите за замрзната храна означена со две ѕвездички се соодветни за чување претходно замрзната храна или за правење сладолед или коцки мраз.
- Деловите со една, две и три ѕвездички не се соодветни за замрзнување свежа храна.
- Ако ладилникот е оставен подолго време, исклучете го, одмрзнете го, исчистете го, избришете со сува крпа и оставете ја вратата отворена за да спречите појава на мувла во апаратот.

1.2 Предупредувања за монтирање

Пред да го користите ладилникот прв пат, внимателно погледнете ги следниве работи:

- Работниот напон на ладилникот е 220-240 V при 50 Hz.
- Приклучокот мора да биде достапен по поставувањето.
- Ладилникот може да има миризба кога ќе го вклучите првпат. Ова е вообичаено и миризбата може да изветрее кога ладилникот ќе почне да лади.
- Пред да го поврзете ладилникот, проверете дали информациите на плочката со податоци (напон и поврзано напојување) одговараат со главното напојување за струја. Ако се сомневате, консултирајте се со квалификуван електричар.
- Вметнете го приклучокот во штекер со соодветно заземјување. Ако штекерот нема заземјување или приклучокот не соодветствува, ви препорачуваме да повикате овластен електричар за помош.
- Апаратот мора да биде поврзан со правилно поставен штекер со осигурувач. Напојувањето (AC) и напонот на работното место мора да соодветствуваат со деталите посочени на плочката со номинални вредности на апаратот (плочката со номиналните вредности е сместена внатре одлево на апаратот).
- Не прифаќајте одговорност за штетите настанати заради употреба без заземјување.
- Ставете го ладилникот на место каде што нема да биде изложен на директна сончева светлина.
- Ладилникот никогаш не смее да се користи на отворено или да се остава на дожд.
- Производот треба да биде оддалечен најмалку 50 cm од шпорети, рерни на гас и грејни тела и најмалку 5 cm од електрични рерни.

- Кога го ставате ладилникот непосредно до уред за длабоко замрзнување, треба да има барем 2 cm помеѓу нив за да се спречи влага на надворешната површина.
- Не покривајте го кукиштето со тантела и не ставајте тантела врз него. Ова ќе влијае на работата на ладилникот.
- Потребно е да има чист простор без пречки од најмалку 150 mm над вашиот апарат. Не ставајте ништо над вашиот апарат.
- Не ставајте тешки предмети врз производот.
- Темелно исчистете го апаратот пред да го користите (видете Чистење и одржување).
- Пред да го користите ладилникот, избришете ги сите делови со раствор со топла вода во којашто ќе додадете една лажичка сода бикарбона. Потоа исплакнете ги со чиста вода и исушете ги. По чистењето вратете ги сите делови на ладилникот.
- Употребете ги прилагодливите предни ногарки за да се порамни производот и да стои стабилно. Може да ги прилагодувате ногарките вртејќи ги во која било насока. Ова треба да го направите пред да ставите храна во ладилникот.
- Поставете ги двата пластични разделници (делот со црни лопатки - кондензатор - одзади) вртејќи го за 90° (како што е прикажано на сликата) за да спречите кондензаторот да го допира сидот.
- Растојанието меѓу уредот и сидот одзади мора да биде максимум 75 mm.



1.3 При користење

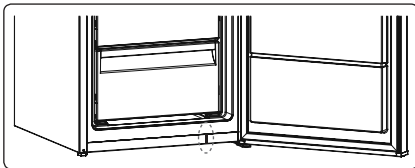
- Не поврзувајте го ладилникот за главното напојување со струја со помош на продолжен кабел.
- Не приклучувајте во оштетени, изабени

или стари штекери.

- Не влечете, виткајте и не оштетувајте го кабелот.
- Не употребувајте продолжеток-адаптер.
- Овој апарат е дизајниран за употреба од страна на возрасни лица. Не дозволувајте деца да си играат со апаратот или да се качуваат на вратата.
- Никогаш не допирајте го кабелот за напојување / штекерот со влажни раце. Ова може да предизвика краток спој или електричен удар.
- Не ставајте експлозивен или запалив материјал во ладилникот. Пијалациите со голема содржина на алкохол ставете ги вертикално во преградата на ладилникот и погрижете се да бидат добро затворени.

Откако ќе се затвори вратата на замрзнувачот ќе се создаде вакуум. Почекајте 1 минута пред повторно отворање.

Оваа апликација е опционална за лесно да ја отворите вратата. Со оваа апликација може да настане мала кондензација околу оваа област којашто може да ја отстраните.



Стари и расипани ладилници

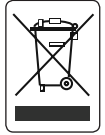
- Ако стариот ладилник или замрзнувач има брава, скршете ја или извадете ја пред да го фрлите бидејќи децата може да се заглават внатре и да се предизвика несреќа.
- Старите ладилници и замрзнувачи содржат материјал за изолација и средство за ладење со CFC. Затоа, внимавајте да не и наштетите животната средина кога ги фрлате старите ладилници.

СЕ Декларација за сообразност

Изјавуваме дека нашите производи ги исполнуваат важечките европски директиви, одлуки и прописи и барањата наведени во наведените стандарди.

Одлагање на стариот апарат

Симболот на производитот или на амбалажата посочува дека овој производ може да не се третира како куќен отпад. Наместо тоа, ќе биде предаден во соодветното собирно место за рециклирање на електрична и електронска опрема Со правилно одлагање на овој производ ќе помогнете во спречување на потенцијални негативни последици по животната средина и здравјето на луѓето, кои во спротивно би можеле да настанат поради несоодветно ракување со отпадот од овој производ. За подетални информации околу рециклирањето на овој производ обратете се во локалната градска канцеларија, службата за изнесување отпад од домаќинства или во продавницата каде што сте го набавиле производот.



Амбалажа и животна средина

Амбалажните материјали ја штитат машината од оштети кои може да настанат при транспорт. Амбалажните материјали се еколошки прифатливи, бидејќи може да се рециклираат. Употребата на рециклиран материјал ја намалува потрошувачката на сировини, а со тоа се намалува и производството на отпад.



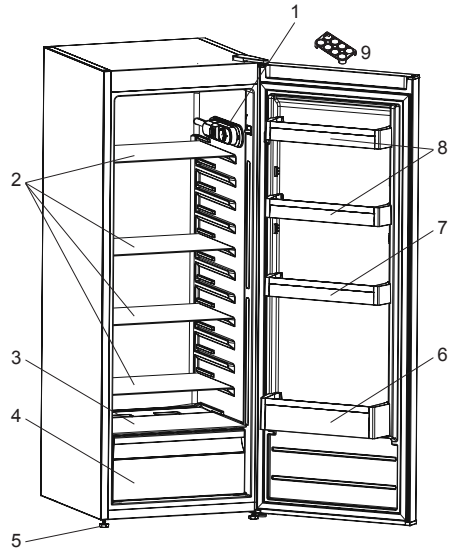
Забелешки:


- Внимателно прочитајте го упатството за работа пред да го поставите и користите производот. Не одговараме за штети настанати заради погрешна употреба.
- Следете ги упатствата за апаратот и упатството за работа и чувајте го истото на безбедно место за да ги решите проблемите што може да се појават во иднина.

- Овој производ е произведен да се користи во домашни услови и може единствено да се користи во домашни услови и за специфични намени. Не е наменет за комерцијална или заедничка употреба. Таквата употреба ја отфрла гаранцијата и нашата компанија нема да биде одговорна за причинетите загуби.
- Овој апарат е произведен да се користи во домашни услови и е соодветен за ладење / чување храна. Не е соодветен за комерцијална или заедничка употреба и/или за чување разни предмети освен храна. Нашата компанија не сноси одговорност за каква било оштета предизвикана од несоодветна употреба на апаратот.

2 ОПИС НА АПАРАТОТ

Овој уред не е наменет да се користи како вграден апарат.



 Оваа презентација е само за информирање околу деловите на апаратот. Деловите може да се разликуваат во зависност од моделот на апаратот.

- 1) Термостат
- 2) Полици на ладилник
- 3) Капак на комора за свежа храна
- 4) Комора за свежа храна
- 5) Ногарки за порамнување
- 6) Полица за шишиња
- 7) Приспособлива врата со полици * / Врата со полици
- 8) Полици на вратата
- 9) Држач за јајца

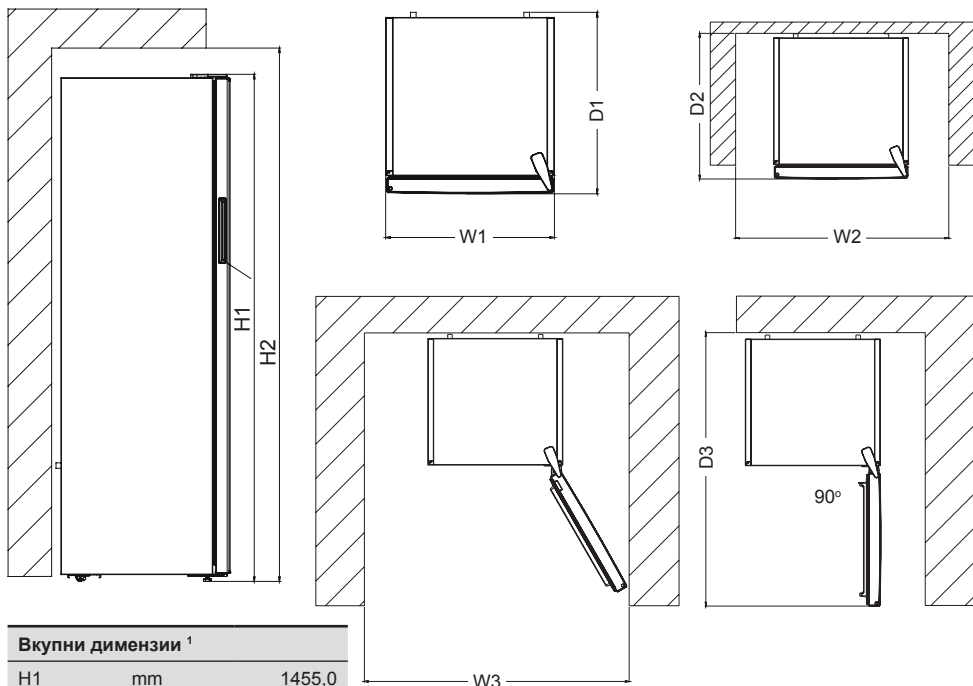
* Кај одредени модели

Општи забелешки

Преграда за свежа храна (Фрижидер):

Најефикасната искористеност на енергијата се обезбедува во конфигурацијата со фиоките во долниот дел од уредот и полиците рамномерно распределени, позицијата на корпите на вратата не влијае на потрошувачката на енергија.

2.1 Димензии



Вкупни димензии ¹		
H1	mm	1455,0
W1	mm	540,0
D1	mm	595,0

¹ висината, ширината и длабочината на апаратот без рачката.

Простор потребен за употреба ²		
H2	mm	1605,0
W2	mm	640,0
D2	mm	692,8

² висината, ширината и длабочината на апаратот вклучувајќи ја и рачката, плус просторот неопходен за слободна циркулација на воздухот за ладење.

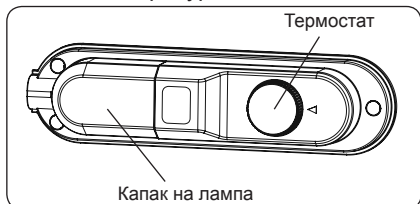
Вкупен простор потребен за употреба ³		
W3	mm	659,8
D3	mm	1142,3

³ висината, ширината и длабочината на апаратот вклучувајќи ја и рачката, плус просторот неопходен за слободна циркулација на воздухот за ладење, плус просторот потребен за да се овозможи отворање на вратата под минималниот агол што дозволува отстранување на целата внатрешна опрема.

3 УПОТРЕБА НА АПАРАТОТ

3.1.1 Поставки на термостатот

Термостатот автоматски ја регулира внатрешната температура на одделите на ладилникот. Со ротирање на копчето од позиција 1 до 5 може да се добијат поладни температури.



Поставки на термостатот

- За краткотрајно чување на храна во, можете да го поставите копчето помеѓу минимална и средна положба (1-3).
- За долготрајно чување на храна во, можете да го поставите копчето на средна положба (3-4).
- Положба 5. Максимална позиција на ладење. Ладилникот ќе работи подолго.

3.1 Предупредувања за приспособување на температурата

- Не се препорачува да го користите фрижидерот при температура на средината помала од 10 °C поради неговата ефикасност.
- Приспособувањето на температурата треба да се направи согласно зачестеноста на отворањето на вратата и количината храна што се чува во ладилникот.
- Ладилникот треба да работи 24 часа во амбиенталната температура без прекинување откако ќе се вклучи за да се излади комплетно. Не отворајте ги често вратите на ладилникот и не ставајте храна во текот на овој период.
- Доколку единицата е исклучена треба да почекате 5 минути за повторно вклучување, за да не дојде до оштетување на компресорот.

- Ладилникот е дизајниран да работи во интервали на амбиентална температура согласно стандардите и климатските услови посочени на етикетата со информации. Ние не препорачуваме да го користите ладилникот надвор од наведените вредности за температурата во контекст на ефикасно ладење.
- Вашиот уред е дизајниран да работи во интервалите на амбиентална температура (N = 16 °C - 32 °C) наведени во стандардите, согласно климатската класа посочена на етикетата со информации. Не препорачуваме да го користите уредот во други услови освен во наведените ограничувања на температурата во контекст на ефикасно ладење.

Климатска класа и значење:

T (тропска клима): Овој ладилник е наменет да се користи на собни температури од 16 °C до 43 °C.

ST (суптропска клима): Овој ладилник е наменет да се користи на амбиентални температури од 16 °C до 38 °C.

N (умерена клима): Овој ладилник е наменет да се користи на амбиентални температури од 16 °C до 32 °C.

SN (проширена умерена клима): Овој ладилник е наменет да се користи на амбиентални температури од 10 °C до 32 °C.

4 ЧУВАЊЕ НА ХРАНА

- Секогаш ставајте течности во затворени садови во ладилникот за да ја намалите појавата на влага и да избегнете зголемување на мразот. Мразот се собира во најстудените делови каде што течноста испарува и со време ладилникот треба почесто да се одмрзнува.
- Зготвената храна мора да остане покриена кога се чува во ладилникот. Не ставајте топла храна во ладилникот. Ставете ја кога ќе се олади, во спротивно температурата/влажноста во ладилникот се зголемува, намалувајќи ја ефикасноста на ладилникот.
- Погрижете се предметите да не го допираат задниот ѕид на уредот, бидејќи ќе се создаде мраз и амбалажата ќе се залепи за него. Не отворајте ја вратата на ладилникот многу често.
- Се препорачува месото и чистата риба да бидат завиткани и наместени на стаклената полица над фиоката за зеленчук каде што воздухот е поладен, бидејќи ова овозможува најдобри услови за ладење.
- Овошјето и зеленчукот ставајте ги во комората за свежа храна со доволно растојание меѓу нив.
- Чувањето на зеленчукот одделно од овошјето помага на зеленчукот чувствителен на етилен (зелен зеленчук, брокула, морков итн.) да не им влијаат овошјата што испуштаат етилен (банана, праска, кајсија, смоква итн.).
- Не треба да ставате влажен зеленчук во ладилникот.
- Времето на чување на сета храна зависи од првичниот нејзин квалитет и од непрекинатиот циклус на чување во ладилник пред да била ставена повторно во ладилник.

- Водата што протекува од месото може да ги контаминира другите производи во ладилникот. Треба да ги спакувате месните производи и да ги исчистите протекувањата врз полиците.
- Не треба да ставате храна пред отворите каде што протекува воздух.
- Пакуваната храна треба да се консумира пред да истече нејзиниот рок.

НАПОМЕНА:



- Компирите, кромидот и лукот не треба да се чуваат во ладилникот.
- За нормални работни услови, ќе биде доволно температурата на вашиот фрижидер да се постави на +4 °C.
- Температурата на одделот за ладилник треба да биде во опсег од 0-8 °C, свежата храна под 0 °C замрзнува и гние, додека над 8 °C концентрацијата на бактерии се зголемува и храната се расипува.
- Не ставајте топла храна веднаш во фрижидерот, почекајте температурата да се намали надвор од фрижидерот. Топлата храна ја зголемува температурата на вашиот фрижидер и предизвикува труење со храна и непотребно расипување на храната.
- Месо, риба и слично треба да се чуваат во преградата за разладување на храната, а преградата за зеленчук е пожелно да се користи за зеленчукот. (ако е достапна)
- За да избегнете меѓусебна контаминација на производите, не ставајте месни производи заедно со зеленчуци и овошје.
- Храната треба да се стави во фрижидер во затворени садови или да се покрие за да се спречи влага и мирис.

Табелата дадена подолу е краток водич кој го покажува најефикасниот начин за складирање на главните групи храна во делот за ладилникот.

Храна	Максимално време за чување	Како и каде да складираате
Овошје и зеленчук	1 седмица	Корпа за зеленчук
Месо и риба	2 - 3 дена	Завиткајте во пластична фолија, кеса или во оддел за месо и складирајте на стаклената полица
Свежо сирење	3 - 4 дена	На назначената полица на вратата
Путер и маргарин	1 седмица	На назначената полица на вратата
Производи во шише, на пр. млеко и јогурт	До истекот на рокот што го одредува производителот	На назначената полица на вратата
Јајца	1 месец	На назначената полица за јајца
Зготвена храна	2 дена	На сите полици

5 ЧИСТЕЊЕ И ОДРЖУВАЊЕ



Исклучете го апаратот од струја пред чистење.



Не чистете го истурајќи вода врз него.



Не користете абразивни средства, детергенти или сапун за чистење на апаратот. По миење, исплакнете со чиста вода и исушете темелно. Кога ќе завршите со чистење, со суви дланки повторно поврзете го приклучокот со главното напојување.

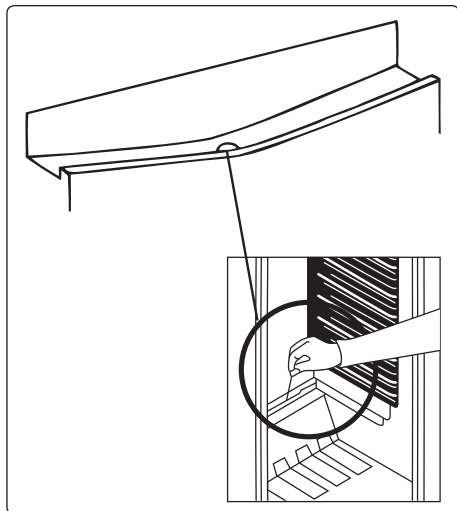
- Во куќиштето на светилката не смее да навлезе вода, ниту пак во другите електрични делови.
- Апаратот треба редовно да се чисти со раствор од сода бикарбона и млака вода.
- Дополнителната опрема се чисти засебно, рачно со сапун и вода. Не мијте ги додатоките во машина за перење садови.
- Барем еднаш годишно чистете го кондензаторот со четка. Ова ќе помогне да заштедите на трошоци за енергија и да ја зголемите продуктивноста.



Мора да се исклучи електричното напојување за време на чистењето.

5.1 Одмрзнување

Одмрзнување на одделот со ладилникот



- Одмрзнувањето настанува автоматски во преградата за ладење при работењето. Водата се собира во садот за испарување и автоматски испарува.
- Садот за испарување и отворот за одвод на одмрзнатата вода треба да се чистат од време на време со цевката за одводот за да спречите водата да се собира долу во ладилникот наместо да истекува.
- Отворот за одвод може да го исчистите и со истурање половина чаша вода во него.

Замена на ЛЕД-светилката



За замена на ЛЕД-светилките ве молиме контактирајте го најблискиот овластен сервисен центар.

6 ТРАНСПОРТ И ПРЕМЕСТУВАЊЕ

6.1 Транспорт и менување позиција

- Може да ги зачувате оригиналното пакување и пената за повторен транспорт (по избор).
- Прицврстете го апаратот со дебело пакување, ремени или издржливи јажиња и следете ги упатствата за транспорт дадени на пакувањето.
- Отстранете ги сите отстранливи делови (фиоки, садови за мраз, итн.) или фиксирајте ги на апаратот со самолеплива лента во текот на преместувањето или транспортот.



Секогаш транспортирајте го апаратот во исправена положба.

6.2 Менување на положбата на вратата

- Правецот на отворање на вратата од апаратот не може да се смени доколку рачките на вратата се поставени на надворешната страна на вратата.
- Правецот на отворање на вратата може да се смени само кај модели без рачки.
- Ако правецот на отворање на вратата на апаратот може да се смени, треба да контактирате со најблискиот овластен сервис за да го сменат правецот на отворање.

7 ПРЕД ДА ПОВИКАТЕ СЕРВИСЕР

Ако имате проблем со **апаратот**, ве молиме проверете го следново пред да го контактирате сервисниот центар.

Вашиот апарат не работи

Проверете дали:

- Има електрична енергија
- Приклучокот е правилно поставен во штекерот
- Дали е прегорен осигурувачот за штекерот или главниот осигурувач
- Штекерот е оштетен. За да го проверите ова, вклучете друг функционален апарат во истиот приклучок.

Апаратот лошо работи

Проверете дали:

- Апаратот е преоптоварен
- Вратата на апаратот е соодветно затворена
- Има прашина на кондензаторот
- Има доволно простор одзади и од страните.

Вашиот апарат работи бучно

Нормална бучава

Краток звук на крцкање: Се слуша кога термостатот го вклучува/исклучува компресорот.

Нормален звук на моторот:

Посочува дека компресорот работи нормално. Кога прв пат го вклучувате апаратот, можно е компресорот да е бучен кратко време.

Звук на клоцотење и прскање: Оваа бука ја предизвикува протокот на средството за ладење во цевките на системот.

Звук на течење на вода: Се јавува поради садот за испарување. Оваа бука е нормална при процесот на одмрзување.

Се појавува звук на дување воздух: Кај некои модели при нормално работење на системот благодарение на циркулацијата на воздухот.

Ако има наталожување на влажност во апаратот

Проверете дали:

- Целата храна е соодветно спакувана. Садовите се исушени пред да ги ставите во **апаратот**.
- Дали вратите на **апаратот** се отвораат честопати. Влагата од просторијата влегува во **апаратот** кога се отвораат вратите. Влажноста побрзо се зголемува ако вратите се отвораат честопати, особено ако просторијата е многу влажна.

Вратата не се отвора и затвора како што треба

Проверете дали:

- Има храна или амбалажа што спречува затворање на вратата
- Шарките се скршени или изабени
- Дали **апаратот** е на рамна површина.

Препораки

- Ако го исклучите апаратот од струја, почекајте барем 5 минути пред повторно да го вклучите или рестартирате за да не го оштетите компресорот.
- Ако не го користите апаратот подолго време (на пр. за време на летниот одмор), исклучете го од струја. Исклучете го апаратот како што е посочено во поглавјето и оставете ја вратата отворена за да спречите појава на влага и миризма.
- Ако проблемот продолжува откако сте ги следеле сите погоре дадени упатства, повикајте го најблискиот овластен сервисен центар.
- Апаратот кој го набавивте е направен исклучиво за домашна употреба. Не е наменет за комерцијална или заедничка употреба. Ако го користите ладилникот на начин којшто не соодветствува со одликите, потенцираме дека производителот и застапникот не се одговорни за поправките или дефектите во периодот на гаранцијата.

8 СОВЕТИ ЗА ЗАШТЕДА НА ЕНЕРГИЈА

1. Монтирајте го апаратот во ладна, добро проветрувана просторија, но да не е во директен контакт со сончева светлина и да не биде во близина на извор на топлина (како што е радијатор или рерна), во спротивно, користете плоча за изолација.
2. Дозволете топлата храна и пијалациите да се изладат пред да ги ставите во апаратот.
3. Пијалациите или другите течности треба да се покриени кога се внатре во апаратот. Ако не се покриени, тогаш влажноста во апаратот ќе се зголеми, а со тоа апаратот користи повеќе енергија. Покривањето на пијалациите и другите течности помага при зачувување на нивниот мирис и вкус.
4. Избегнувајте да ги оставате отворени вратите подолги периоди и да ги отворате пречесто, бидејќи ќе влезе топол воздух во апаратот предизвикувајќи компресорот да се вклучува непотребно често.
5. Капаците на преградите со различна температура (како на пример комората за свежа храна и за разладување, ако има) чувајте ги затворени.
6. Гумата на вратите мора да биде чиста и еластична. Доколку гумата е оштетена, заменете ја.

9 ТЕХНИЧКИ ПОДАТОЦИ

Техничките информации се наоѓаат на плочката со спецификации на внатрешната страна на апаратот и на етикетата за енергија.

QR-кодот на етикетата за енергија доставена со апаратот обезбедува линк до веб адреса со информациите поврзани со перформансите на апаратот во базата на податоци на EU EPREL.

Чувајте ја етикетата за енергија за идно користење заедно со упатството за употреба и сите други документи обезбедени со овој уред.

Истите информации можете да ги најдете на EPREL преку линкот <https://eprel.ec.europa.eu> со името на моделот и бројот на производот дадени на плочката со спецификации на уредот.

Посетете ја страната www.theenergylabel.eu за детални информации за етикетата за енергија.

10 ИНФОРМАЦИИ ЗА ИНСТИТУТИ ЗА ТЕСТИРАЊЕ

Инсталирањето и подготовката на апаратот за која било верификација на EcoDesign треба да биде во согласност со EN 62552. Барањата за вентилација, димензиите на уредот и минимално растојание за задниот дел се дадени во ова Упатство за употреба на ДЕЛ 2. Ве молиме контактирајте го производителот за какви било дополнителни информации, вклучително и планови за транспорт.

11 ГРИЖА ЗА КОРИСНИЦИ И СЕРВИС

Секогаш користете само оригинални делови.

Кога контактирате со нашиот овластен сервисен центар, проверете дали ги имате следниве податоци: Модел, сериски број.

Информациите може да се најдат на плочката со спецификации.

Посетете ја нашата веб-страница за да:
<https://www.voxelectronics.com>



KS2830E / KS2830SE

PRIRUČNIK ZA KORISNIKA ZAMRZIVAČ

POR

ÍNDICE

1 INSTRUÇÕES DE SEGURANÇA	84
1.1 Avisos Gerais de Segurança	84
1.2 Avisos de instalação	89
1.3 Durante a Utilização	89
2 DESCRIÇÃO DO ELETRODOMÉSTICO	91
2.1 Dimensões.....	92
3 UTILIZAR O ELETRODOMÉSTICO	93
3.1 Configurações do Termóstato.....	93
3.2 Avisos de Configurações de Temperatura.....	93
4 ARMAZENAMENTO DE ALIMENTOS	94
5 LIMPEZA E MANUTENÇÃO	96
5.1 Descongelção.....	96
6 ENVIO E REPOSICIONAMENTO	97
6.1 Transportar e alterar o posicionamento.....	97
6.2 Reposicionar a Porta	97
7 ANTES DE CONTACTAR O SERVIÇO PÓS-VENDAS	97
8 DICAS PARA POUPAR ENERGIA	99
9 DADOS TÉCNICOS	99
10 INFORMAÇÃO PARA TESTES	100
11 SERVIÇO E ASSISTÊNCIA AO CONSUMIDOR	100

1 INSTRUÇÕES DE SEGURANÇA

1.1 Avisos Gerais de Segurança

Leia este manual cuidadosamente.

⚠️ NOTA: Mantenha as aberturas de ventilação, no revestimento do eletrodoméstico ou na estrutura embutida, livres de obstruções.

⚠️ NOTA: Não utilize dispositivos mecânicos ou outros meios para acelerar o processo de descongelamento que não os recomendados pelo fabricante.

⚠️ NOTA: Não utilize eletrodomésticos elétricos dentro dos compartimentos de armazenamento de alimentos do eletrodoméstico a menos que tal seja recomendado pelo fabricante.

⚠️ NOTA: Não danifique o circuito de refrigeração.

⚠️ NOTA: Quando posicionar o aparelho, certifique-se de que o cabo de alimentação não está preso ou danificado.

⚠️ NOTA: Não coloque várias tomadas portáteis ou fontes de alimentação portáteis na parte traseira do aparelho.

⚠️ NOTA: De modo a evitar quaisquer perigos resultantes da instabilidade do eletrodoméstico, o mesmo deverá ser fixado de acordo com as instruções.

⚠️ Se o seu eletrodoméstico utilizar R600a como refrigerante (estas informações serão fornecidas na identificação do congelador) deverá tomar cuidado

durante o transporte e instalação para evitar que elementos do congelador fiquem danificados. O R600a é amigo do ambiente e um gás natural, no entanto, explosivo. Na eventualidade de uma fuga devido a danos dos elementos do congelador, afaste o seu frigorífico de chamas vivas ou fontes de calor e ventile, durante alguns minutos, a divisão onde se localiza o frigorífico.

- Enquanto transporta e posiciona o frigorífico, não danifique o circuito de gás do congelador.
- Não armazene substâncias explosivas, como por exemplo, latas de aerossóis com propulsor inflamável neste eletrodoméstico.
- O eletrodoméstico deverá ser utilizado em aplicações domésticas e residenciais, como por exemplo:
 - áreas de cozinha em lojas, escritórios e outros ambientes de trabalho.
 - quintas e por clientes em hotéis, motéis e outros tipos de ambientes residenciais.
 - ambientes tipo residencial;
 - aplicações de não retalho, catering e similares.
- Se a tomada não coincidir com a ficha do frigorífico, deverá ser substituída pelo fabricante, agente de serviço ou pessoa de qualificação similar de modo a evitar perigos.
- Uma tomada de ligação a terra especial foi conectada ao cabo elétrico do seu frigorífico. Esta

tomada deverá ser utilizada com uma tomada de ligação a terra especial de 16 amperes. Se não existir tomada na sua casa, por favor, instale uma com a ajuda de um electricista autorizado.

- Este eletrodoméstico pode ser utilizado por crianças a partir dos 8 anos de idade e superior e por pessoas (incluindo crianças) com capacidades mentais, sensoriais e físicas reduzidas ou com falta de experiência ou conhecimento a menos que tenham sido supervisionados ou tenham recebido instruções relativamente à utilização do eletrodoméstico de forma segura e que tenham entendido os perigos envolvidos. As crianças não devem brincar com o eletrodoméstico. A limpeza e a manutenção por parte do utilizador não deverão ser realizadas por crianças sem supervisão.
- Crianças com idades entre 3 e 8 anos podem encher e esvaziar eletrodomésticos de refrigeração. As crianças não devem efetuar a limpeza ou a manutenção do eletrodoméstico; crianças muito pequenas (0–3 anos) não devem utilizar os eletrodomésticos; crianças pequenas (3–8 anos) apenas podem utilizar os eletrodomésticos de forma segura sob supervisão constante; crianças mais velhas (8–14 anos) e pessoas vulneráveis podem utilizar os eletrodomésticos de forma segura após terem sido supervisionadas ou recebido as instruções adequadas relativamente à utilização do eletrodoméstico. As pessoas muito vulneráveis

apenas podem utilizar os eletrodomésticos em segurança sob supervisão constante.

- Se o cabo elétrico estiver danificado, deverá ser substituído pelo fabricante, agente de serviço ou pessoa qualificada similar de modo a evitar perigos.
- Este eletrodoméstico não tem como objetivo ser utilizado em altitudes que excedam 2000 m.

De forma a evitar que os alimentos fiquem contaminados, respeite as instruções que se seguem:

- Manter a porta aberta durante longos períodos de tempo pode causar um aumento significativo da temperatura nos compartimentos do eletrodoméstico.
- Efetue uma limpeza regular das superfícies que entrem em contacto com qualquer alimento e dos sistemas de drenagem acessíveis.
- Armazene carne e peixe crus em recipientes adequados dentro do frigorífico, de forma que não entrem em contacto com os outros alimentos ou que não vertam para cima dos mesmos.
- Os compartimentos de duas estrelas para alimentos congelados são adequados para armazenar alimentos pré-congelados, para armazenar ou fazer gelado e cubos de gelo.
- Os compartimentos de uma, duas e três estrelas não são adequados para congelar alimentos frescos.

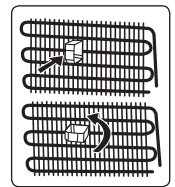
- Se o frigorífico ficar vazio durante longos períodos de tempo, este deve ser desligado, descongelado, limpo e seco, sendo necessário deixar a porta aberta para evitar o aparecimento de bolor dentro do eletrodoméstico.

1.2 Avisos de instalação

Antes de utilizar o seu frigorífico pela primeira vez, tome atenção aos seguintes pontos:

- A tensão operativa do seu frigorífico é de 220-240 V a 50Hz.
- A tomada deverá ficar acessível após a instalação.
- O seu frigorífico poderá ter um odor quando for operado pela primeira vez. Isto é normal e o odor irá desaparecer quando o seu frigorífico começar a refrigerar.
- Antes de ligar o seu frigorífico, certifique-se de que as informações da placa de informação (tensão e carga conectada) coincidem com a alimentação de eletricidade principal. Se tiver dúvidas, consulte um eletricista qualificado.
- Insira a ficha na tomada com uma conexão de terra eficiente. Se a tomada não tiver contacto de terra ou a ficha não coincidir, recomendamos que contacte um eletricista qualificado para assistência.
- O eletrodoméstico deverá estar conectado com uma tomada com fusíveis instalados adequadamente. A tensão de alimentação (CA) e tensão no ponto operativo devem coincidir com os detalhes na placa de identificação do eletrodoméstico (a placa de identificação localiza-se na parte esquerda interior do eletrodoméstico).
- Não assumimos a responsabilidade por quaisquer danos que ocorram devido à utilização de equipamento sem ligação a terra.
- Coloque o seu frigorífico num local em que não fique exposto à luz direta do sol.
- O seu frigorífico nunca deve ser utilizado no exterior ou ficar exposto à chuva.
- O seu eletrodoméstico deverá estar a, pelo menos, 50 cm de distância de fogões, fornos a gás e aquecedores, e a pelo menos 5 cm de distância de fornos elétricos.

- Se o seu frigorífico for colocado perto de um congelador, deverão existir, pelo menos, 2 cm entre eles para evitar que se forme humidade na superfície exterior.
- Não cubra o eletrodoméstico ou o topo do mesmo com um pano. Isto irá afetar o desempenho do frigorífico.
- É necessário um espaço de, pelo menos, 150 mm no topo do seu eletrodoméstico. Não coloque nada no topo do seu eletrodoméstico.
- Não coloque itens pesados sobre o eletrodoméstico.
- Limpe o eletrodoméstico adequadamente antes da utilização (consultar Limpeza e Manutenção).
- Antes de utilizar o seu frigorífico, limpe todas as partes com uma solução de água quente e uma colher de sopa de bicarbonato de sódio. Depois, enxague com água limpa e seque. Volte a colocar as partes no frigorífico após a limpeza.
- Utilize as pernas dianteiras ajustáveis para se certificar de que o eletrodoméstico está nivelado e estável. Pode ajustar as pernas rodando-as em qualquer direção. Isto deverá ser realizado antes de colocar alimentos no eletrodoméstico.
- Instale o guia de distância de plástico (a parte com palhetas pretas na traseira) rodando-o 90° (tal como indicado na imagem) para evitar que o condensador toque na parede.
- A distância entre o eletrodoméstico e a parede traseira deverá ser, no máximo, de 75 mm.



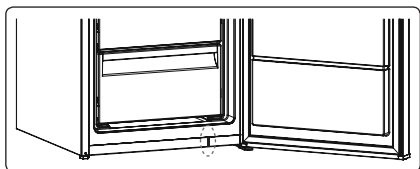
1.3 Durante a Utilização

- Não conecte o seu frigorífico à eletricidade utilizando uma extensão.
- Não utilize tomadas danificadas, desgastadas ou antigas.
- Não puxe, dobre ou danifique o cabo.
- Não use adaptador de ficha.

- Este eletrodoméstico foi criado para ser utilizado por adultos. Não deixe que crianças brinquem com o eletrodoméstico ou se pendurem na porta.
- Nunca toque na ficha/cabo elétrico com as mãos molhadas. Isto pode causar curto circuito ou choque elétrico.
- Não coloque material explosivo ou inflamável no seu frigorífico. Coloque bebidas com elevado conteúdo de álcool verticalmente no compartimento do frigorífico e certifique-se de que as partes superiores estão bem fechadas.

Quando a porta do frigorífico estiver fechada, irá formar-se um vedante de vácuo. Aguarde 1 minuto antes de volta a abrir.

Esta aplicação é opcional para abertura fácil da porta. Com esta aplicação, poderá ocorrer uma pequena condensação em volta desta área e poderá removê-la.



Frigoríficos antigos e que não funcionam

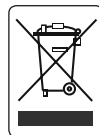
- Se o seu frigorífico ou congelador antigo tiver um cadeado, quebre ou remova o cadeado antes de o eliminar, uma vez que crianças podem ficar presas dentro do mesmo e haver um acidente.
- Frigoríficos e congeladores antigos contêm material de isolamento e refrigerante com CFC. Assim, tome cuidado para não danificar o ambiente quando eliminar o seu frigorífico antigo.

Declaração de Conformidade CE

Declaramos que os nossos produtos cumprem com as Diretivas, Decisões e Regulamentações Europeias e com os requisitos listados nos padrões referenciados.

Eliminação do seu eletrodoméstico antigo

O símbolo no produto ou na embalagem indica que este produto não poderá ser tratado como resíduo doméstico. Ao invés disso, deverá ser entregue no ponto de recolha adequado para a reciclagem de equipamento elétrico e eletrónico. Ao assegurar que este produto é eliminado corretamente, irá ajudar a evitar consequências potencialmente negativas para o ambiente e para a saúde humana que poderiam, de outra forma, ser causadas pelo manuseamento inadequado de resíduos deste produto. Para informações mais detalhadas sobre a reciclagem deste produto, por favor, contacte a secretaria da sua cidade, o seu serviço de eliminação de resíduos domésticos ou a loja onde adquiriu o produto.



Embalagem e o Ambiente

Os materiais de embalagem protegem a sua máquina contra danos que possam ocorrer durante o transporte. Os materiais de embalagem são ecologicamente corretos, pois são recicláveis. O uso de material reciclado reduz o consumo de matéria-prima e, por isso, reduz a produção de resíduos.



Notas:

- Por favor, leia o manual de instruções cuidadosamente antes de instalar e utilizar o seu eletrodoméstico. Não nos responsabilizamos por quaisquer danos incorridos devido a má utilização.
- Siga todas as instruções indicadas no seu eletrodoméstico e no manual de instruções e guarde este manual num local seguro para resolver os problemas que possam ocorrer no futuro.
- Este eletrodoméstico é fabricado para ser utilizado em casa e só pode ser utilizado em ambientes domésticos e para os propósitos especificados. Não é adequado para utilização comercial ou comum. Tal utilização irá fazer com

que a garantia do eletrodoméstico seja cancelada e a nossa empresa não se responsabilizará por perdas que possam ocorrer.

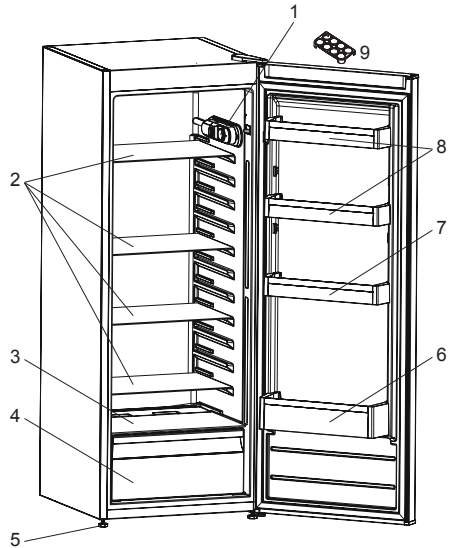
- Este eletrodoméstico foi fabricado para ser utilizado em casa e só serve para refrigerar/armazenar alimentos. Não é adequado para utilização comercial ou comum e/ou para armazenar substâncias que não alimentos. A nossa empresa não se responsabiliza pelas perdas incorridas em caso contrário.


Notas gerais:

Compartmento de alimentos frescos (frigorífico): A utilização eficiente da energia é garantida pela configuração, com as gavetas na parte inferior do eletrodoméstico e uma distribuição uniforme das prateleiras, e a posição dos compartimentos das portas não afeta o consumo energético.

2 DESCRIÇÃO DO ELETRODOMÉSTICO

Este eletrodoméstico não se destina a ser encastrado.

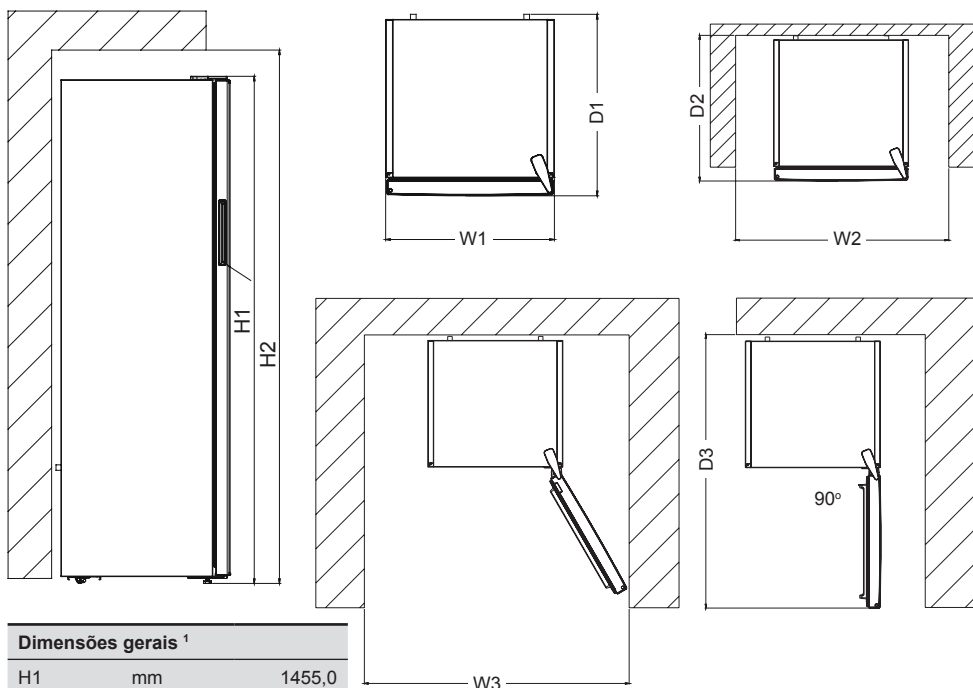


 Esta apresentação serve apenas como informação sobre partes do eletrodoméstico. As partes poderão variar de acordo com o modelo de eletrodoméstico.

- 1) Caixa do termostato
- 2) Prateleiras do frigorífico
- 3) Tampa da gaveta
- 4) Gaveta
- 5) Pés de nivelção
- 6) Prateleira de garrafas
- 7) Prateleira ajustável da porta * / Prateleira de porta
- 8) Prateleiras de porta
- 9) Suporte de ovos

* Em alguns modelos

2.1 Dimensões



Dimensões gerais ¹		
H1	mm	1455,0
W1	mm	540,0
D1	mm	595,0

¹a altura, largura e profundidade do eletrodoméstico sem o puxador

Espaço necessário para utilização ²		
H2	mm	1605,0
W2	mm	640,0
D2	mm	692,8

² a altura, largura e profundidade do eletrodoméstico, incluindo o puxador, mais o espaço necessário para a livre circulação do ar de refrigeração

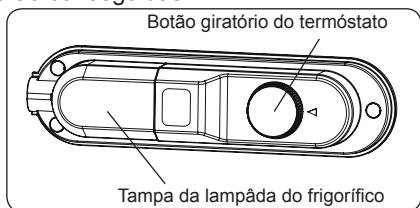
Espaço geral necessário para utilização ³		
W3	mm	659,8
D3	mm	1142,3

³ a altura, a largura e a profundidade do eletrodoméstico, incluindo o puxador, mais o espaço necessário para a livre circulação do ar de refrigeração, mais o espaço necessário para permitir a abertura da porta até ao ângulo mínimo para possibilitar a remoção de todo o equipamento interno

3 UTILIZAR O ELETRODOMÉSTICO

3.1 Configurações do Termóstato

O Termostato do frigorífico regula automaticamente a temperatura interior dos compartimentos. Rodando o botão desde a posição “1” até “5”, temperaturas mais frias serão conseguidas.




Configurações do Termóstato

- Coloque o botão giratório para a posição média/baixa, até 3, para armazenamento a curto prazo de alimentos no eletrodoméstico.
- Coloque o botão giratório para a posição média, 3 ou 4, para armazenamento a longo prazo de alimentos no eletrodoméstico.
- Coloque o botão giratório para a posição até 5 para refrigeração rápida alimentos frescos.

3.2 Avisos de Configurações de Temperatura

- A temperatura ambiente, a temperatura de alimentos frescos armazenados e a frequência com que a porta é aberta afetam a temperatura no compartimento do frigorífico. Se necessário, altere a configuração de temperatura.
- Não se recomenda que opere o seu frigorífico em ambientes mais frios do que 10°C em termos da sua eficiência.
- Aquando da configuração do termostato, tenha em consideração com que frequência as portas do eletrodoméstico são abertas e fechadas, como os alimentos são armazenados no seu frigorífico e o ambiente no qual o frigorífico está localizado.

- Quando liga o eletrodoméstico pela primeira vez, deixe que funcione continuamente durante 24 horas de modo a atingir a temperatura operativa. Durante este período, não abra a porta ou coloque uma grande quantidade de alimentos dentro do eletrodoméstico.
- Desligue da tomada o seu eletrodoméstico durante um corte de energia para evitar danos no compressor. Assim que a eletricidade for reposta, atrase a conexão da tomada no seu eletrodoméstico durante 5 a 10 minutos. Isto irá ajudar a evitar danos nos componentes do eletrodoméstico.
- O seu eletrodoméstico foi criado para operar dentro dos limites de temperatura ambiente indicados nos padrões, de acordo com a classe climática indicada na etiqueta de informação. Não se recomenda que o seu frigorífico seja operado em ambientes que estejam fora dos limites de temperatura indicados. Isto irá reduzir a eficiência de refrigeração do eletrodoméstico.

 Os frigoríficos (refrigeradores) não possuem nenhum compartimento de frio, mas podem baixar a temperatura até 4 - 6 °C.

- O seu aparelho foi criado para operar nos intervalos de temperatura ambiente (N = 16 °C - 32 °C) indicados nos padrões, de acordo com a classe climática indicada na etiqueta de informação. Não recomendamos que opere o seu aparelho fora dos limites de temperatura indicados em termos de eficiência de refrigeração. Verifique os avisos opostos.

Classe climática e significado:

T (tropical): Este aparelho de refrigeração destina-se a ser utilizado com temperaturas ambientes que vão dos 16 °C aos 43 °C.


ST (subtropical): Este aparelho de refrigeração destina-se a ser utilizado com temperaturas ambientes que vão dos 16 °C aos 38 °C.

N (temperado): Este aparelho de refrigeração destina-se a ser utilizado com temperaturas ambientes que vão dos 16 °C aos 32 °C.

SN (temperado prolongado): Este aparelho de refrigeração destina-se a ser utilizado com temperaturas ambientes que vão dos 10 °C aos 32 °C.

4 ARMAZENAMENTO DE ALIMENTOS


- Para reduzir a humidade e evitar a consequente formação de gelo, armazene líquidos sempre em recipientes selados no frigorífico. O gelo tende a concentrar-se nas partes mais frias do líquido de evaporação e, em certas alturas, o seu eletrodoméstico irá exigir uma descongelação mais frequente.
- Nunca coloque alimentos quentes no compartimento do frigorífico. Alimentos quentes devem arrefecer à temperatura ambiente e devem ser organizados para assegurar uma circulação de ar adequada dentro do compartimento do frigorífico.
- Certifique-se de que nenhum item entra em contacto direto com a parede traseira do eletrodoméstico uma vez que o gelo irá desenvolver-se e a embalagem ficará colada ao mesmo. Não abra a porta do frigorífico com frequência.
- Recomendamos que carne e peixe limpos sejam embrulhados e armazenados na prateleira de vidro mesmo acima do cesto de vegetais onde o ar é mais fresco, uma vez que isto fornece melhores condições de armazenamento.
- Guarde frutas e vegetais soltos nos recipientes de gaveta.
- Guarde frutas e vegetais soltos na gaveta.
- Guardar frutas e vegetais separadamente ajuda a evitar que vegetais sensíveis ao etileno (couves, brócolos, cenoura, etc.) sejam afetados pelos frutos que libertam etileno (banana, pêssigo, alperce, figo, etc.).
- Não coloque vegetais molhados no frigorífico.
- O tempo de armazenamento para todos os produtos alimentares depende da qualidade inicial dos alimentos e de um ciclo de refrigeração ininterrupto antes do armazenamento no frigorífico.


- Para evitar a contaminação cruzada não armazene produtos de carne com frutas e vegetais. A água que sai da carne pode contaminar outros produtos no frigorífico. Deverá embalar os produtos de carne e limpar quaisquer fugas nas prateleiras.
 - Não coloque alimentos em frente à passagem de fluxo de ar.
 - Consuma os bens embalados antes da data de validade recomendada.
-  **NOTA:** Batatas, cebolas e alho não devem ser guardados no frigorífico.
- Para condições normais de funcionamento, bastará ajustar a definição de temperatura do frigorífico para +4 °C.
 - A temperatura do compartimento do frigorífico deve estar compreendida entre os 0 e os 8 °C. Abaixo dos 0 °C, os alimentos frescos ficam enregelados e apodrecidos, enquanto que, acima dos 8 °C, a carga bacteriana aumenta e estraga-os.
 - Não coloque alimentos quentes imediatamente no frigorífico; aguarde para que a temperatura diminua, no exterior. Os alimentos quentes aumentam os graus de temperatura do frigorífico, o que provoca intoxicações alimentares e a deterioração desnecessária dos alimentos.
 - Carnes, peixes, etc., devem ser armazenados no compartimento do refrigerador dos alimentos, enquanto que o compartimento para legumes é indicado para legumes. (se disponível)
 - Para evitar contaminação cruzada, os produtos à base de carne não devem ser armazenados juntamente com fruta e legumes.
 - Os alimentos devem ser colocados no frigorífico em recipientes fechados ou cobertos, para impedir a entrada de humidade e maus odores.


São especificadas abaixo algumas recomendações para a colocação e armazenamento dos seus alimentos no compartimento de refrigeração.

Alimentos	Tempo máximo de armazenamento	Como e onde armazenar
Vegetais e frutas	1 semana	Cesto de vegetais
Carne e peixe	2 - 3 dias	Embrulhe em película, coloque em sacos ou num recipiente de carne e armazene na prateleira de vidro
Queijo Fresco	3 - 4 dias	Na prateleira de porta indicada
Manteiga e margarina	1 semana	Na prateleira de porta indicada
Produtos engarrafados, por exemplo, leite e iogurtes	Até à data de validade recomendada pelo produtor	Na prateleira de porta indicada
Ovos	1 mês	Na prateleira de ovos indicada
Alimentos cozinhados	2 dias	Todas as prateleiras


5 LIMPEZA E MANUTENÇÃO

 Desconecte a unidade da alimentação elétrica antes de limpar.

 Não lave o seu eletrodoméstico colocando-lhe água.

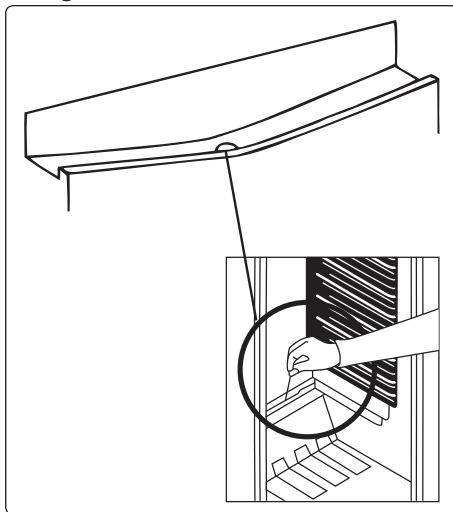
 Não utilize produtos abrasivos, detergentes ou sabões para limpar o eletrodoméstico. Após a lavagem, enxague com água limpa e seque cuidadosamente. Quando tiver terminado a limpeza, volte a ligar a ficha à alimentação elétrica com as mãos secas.

- Certifique-se de que nenhuma água entra no revestimento da lâmpada e outros componentes elétricos.
- O eletrodoméstico deve ser limpo com regularidade utilizando uma solução de bicarbonato de soda e água morna.
- Limpe os acessórios separadamente à mão com sabão e água. Não lave os acessórios na máquina de lavar loiça.
- Limpe o condensador com uma escova, pelo menos, duas vezes por ano. Isto irá ajudar a poupar energia e a aumentar a produtividade.

  **A alimentação elétrica deverá ser desconectada durante a limpeza.**


5.1 Descongelação

Descongelar o compartimento do frigorífico



- O descongelamento ocorre automaticamente no compartimento do frigorífico durante o funcionamento. A água é recolhida pela bandeja de evaporação e evapora automaticamente.
- A bandeja de evaporação e o orifício de drenagem de água devem ser limpos periodicamente com a tampa de drenagem de descongelamento para evitar que a água se acumule no fundo do frigorífico ao invés de fluir para fora.
- Poderá ainda limpar o orifício de drenagem deitendo meio copo de água no mesmo.


Substituir a iluminação LED

 Se o seu frigorífico tiver iluminação LED, contacte o atendimento ao cliente uma vez que esta só deve ser substituída por pessoal autorizado para tal.

6 ENVIO E REPOSICIONAMENTO

6.1 Transportar e alterar o posicionamento

- A embalagem original e a espuma podem ser guardadas para novo transporte (opcional).
- Segure o seu eletrodoméstico com embalagem espessa, fitas ou cordas fortes e siga as instruções de transporte indicadas na embalagem.
- Remova todas as partes móveis (prateleiras, acessórios, cestos de vegetais, e etc.) e fixe-as ao eletrodoméstico contra choques utilizando fitas aquando da alteração de posicionamento ou transporte.

 Transporte sempre o seu eletrodoméstico na posição vertical.

6.2 Reposicionar a Porta

- Não é possível alterar a direção de abertura da porta do seu eletrodoméstico se as pegas da porta estiverem instaladas na superfície frontal da porta do eletrodoméstico.
- É possível alterar a direção de abertura da porta em modelos sem pegas.
- Se a direção de abertura da porta do seu eletrodoméstico puder ser alterada, contacte o Centro de Serviço Autorizado mais próximo para alterar a direção de abertura.

7 ANTES DE CONTACTAR O SERVIÇO PÓS-VENDAS

Se o seu frigorífico não estiver a funcionar corretamente, poderá haver um pequeno problema. Verifique o seguinte.

O eletrodoméstico não funciona

Verifique se:

- Existe alimentação elétrica
- Se a alimentação principal está desconectada
- A tomada está avariada. Para verificar isto, ligue outro eletrodoméstico a funcionar à mesma tomada.

O eletrodoméstico tem um desempenho fraco

Verifique se:

- O eletrodoméstico está sobrecarregado
- As portas estão bem fechadas
- Existe qualquer pó no condensador
- Existe espaço suficiente perto das paredes traseiras e laterais

O seu frigorífico está com um desempenho ruidoso

Ruído de motor: Indica que o compressor está a funcionar normalmente. O compressor poderá causar mais ruído durante um curto período de tempo quando é ativado pela primeira vez.

Ocorre ruído borbulhento e de chapinhar: Devido ao fluxo do refrigerante nos tubos do sistema.

Ocorre ruído de sopro de ar: Durante o funcionamento normal do sistema devido à circulação de ar.

Existe água na parte inferior do frigorífico

Verifique se:

O orifício de drenagem para a água não está entupido (utilize a tomada de drenagem de descongelação para limpar o orifício de drenagem).

Existe acumulação de humidade dentro do frigorífico

Verifique se:

- Todos os alimentos estão bem embalados. Os recipientes devem estar secos antes de serem colocados no frigorífico.
- As portas do frigorífico são abertas com frequência. A humidade da divisão irá entrar no frigorífico sempre que as portas forem abertas. A humidade aumenta mais rapidamente se as portas forem abertas com frequência, especialmente se a humidade na divisão for elevada.
- Existe acumulação de gotas de água na parede traseira. Isto é normal após um descongelamento automático (em Modelos Estáticos).

As portas não estão a abrir ou a fechar adequadamente

Verifique se:

- Existem alimentos ou embalagens que evitem que a porta se feche
- Os compartimentos da porta, prateleiras e gavetas estão colocados de forma correta
- As juntas da porta estão danificadas ou gastas
- O seu frigorífico está nivelado.

Recomendações

- Se a unidade estiver desligada ou desconectada da tomada, deverá esperar, pelo menos, 5 minutos antes de reiniciar ou voltar a ligar à tomada o eletrodoméstico de modo a não danificar o compressor.
- Para parar completamente o electrodoméstico, desligue da tomada principal (para limpar e quando as portas tiverem sido deixadas abertas). Descongele e limpe o frigorífico, deixando a porta aberta para evitar a formação de mofo e odor.
- Se persistir um problema após ter seguido as instruções acima, consulte o centro de serviço autorizado mais próximo.

- O eletrodoméstico que adquiriu foi criado apenas para uso doméstico. Não é adequado para utilização comercial ou comum. Se o consumidor utilizar o eletrodoméstico de forma a que não cumpra com isto, enfatizamos que o fabricante e o revendedor não serão responsáveis por qualquer reparação ou avaria dentro do período de garantia.

8 DICAS PARA POUPAR ENERGIA

1. Instale o eletrodoméstico num local fresco e bem ventilado, mas fora do alcance da luz direta do sol ou longe de uma fonte de calor (como por exemplo, um radiador ou forno) caso contrário, deve ser utilizada uma placa de isolamento.
2. Deixe que alimentos e bebidas quentes arrefeçam antes de os colocar dentro do eletrodoméstico.
3. Bebidas e outros líquidos deverão ser tapados quando dentro do eletrodoméstico. Se deixados destapados, a humidade dentro do eletrodoméstico irá aumentar, assim, o eletrodoméstico usa mais energia. Manter bebidas e outros líquidos destapados ajuda a preservar o seu odor e sabor.
4. Evite manter as portas abertas durante longos períodos e abrir as portas com muita frequência uma vez que ar quente irá entrar no eletrodoméstico e fazer com que o compressor ligue com frequência desnecessária.
5. Mantenha as tampas de diferentes compartimentos (como por exemplo, a gaveta e o refrigerador) fechadas.
6. A junta da porta deverá estar limpa e ser maleável. Substitua as juntas, se desgastadas.

9 DADOS TÉCNICOS

As informações técnicas encontram-se na placa de características existente no lado interno do aparelho e na etiqueta de energia.

O código QR na etiqueta de energia fornecida com o aparelho disponibiliza um link da web para a informação relacionada com o desempenho do aparelho na base de dados de EU EPREL. Mantenha a etiqueta de energia para consulta juntamente com o manual do utilizador e todos os outros documentos disponibilizados com este aparelho.

É também possível encontrar a mesma informação na EPREL utilizando o link <https://eprel.ec.europa.eu> e o nome do modelo e número do produto que encontra na placa de classificação do aparelho.

10 INFORMAÇÃO PARA TESTES

A instalação e preparação do aparelho para qualquer verificação EcoDesign deve estar em conformidade com EN 62552.

Os requisitos de ventilação, dimensões de encaixe e folgas traseiras mínimas deverão ser conforme declarado neste Manual do Utilizador na parte 2.

Contacte o fabricante para quaisquer informações adicionais, incluindo planos de carga.

11 SERVIÇO E ASSISTÊNCIA AO CONSUMIDOR

Utilize sempre as peças sobresselentes originais.

Quando entrar em contacto com o nosso Centro de Serviço Autorizado, garanta que tenha os seguintes dados disponíveis: Modelo, Número de Série e o Índice de Serviço (SI).

A informação pode ser encontrada no rótulo do produto. Sujeito a modificações sem aviso prévio.

As peças sobresselentes originais para alguns componentes específicos estão disponíveis por um período de 10 anos desde a colocação no mercado da última unidade do modelo.

Visite o nosso website para:
<https://www.voxelectronics.com>

CE



52471478

