



GRB

SRB

SVN

HRV

MKD

POR

BGR

GRC

SPA

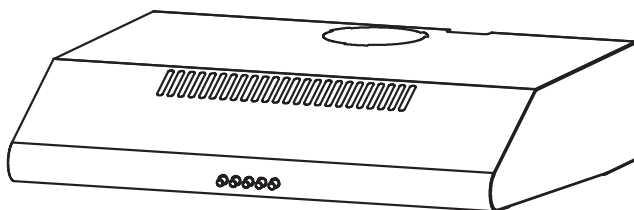
TRD6F49IX
TRD6F49W

OPERATING INSTRUCTIONS **COOKER HOOD**
UPUTSTVO ZA UPOTREBU **ASPIRATOR**
NAVODILA ZA UPORABO **KUHINJSKA NAPA**
UPUTE ZA UPORABU **KUHINJSKA NAPA**
УПАТСТВА ЗА УПОТРЕБА **АСПИРАТОР**
MANUAL DE INSTRUÇÕES **EXAUSTOR DE COZINHA**
РЪКОВОДСТВО ЗА УПОТРЕБА **АСПИРАТОР**
ΕΓΧΕΙΡΙΔΙΟ ΧΡΗΣΗΣ **ΑΠΟΡΡΟΦΗΤΗΡΑΣ**
MANUAL DE INSTRUCCIONES **CAMPANA EXTRACTORA**



GBR

TRD6F49IX
TRD6F49W




COOKER HOOD

INSTRUCTION MANUAL

Read this manual carefully before operation.

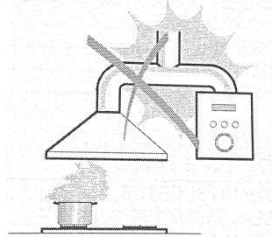
Pictures in this manual are for reference only, the product in kind prevail.

RECOMMENDATIONS AND SUGGESTIONS

 The instructions for Use apply to several versions of this appliance. Accordingly, you may find descriptions of individual features that do not apply to your specific appliance.

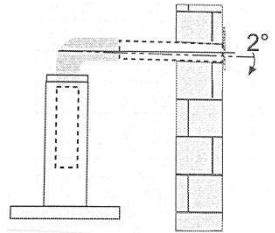
INSTALLATION

- The manufacturer will not be held liable for any damages resulting from incorrect or improper installation.
- Check that the mains voltage corresponds to that indicated on the rating plate fixed to the inside of the hood.
- For Class I appliances, check that the domestic power supply guarantees adequate earthing.
- Connect the extractor to the exhaust flue through a pipe of minimum diameter 120 mm.
- The route of the flue must be as short as possible.
- Do not connect the extractor hood to exhaust ducts carrying combustion flumes (boilers, fireplaces, etc.).
- If the instructions for installation for the gas hob specify a greater distance specified above, this has to be taken into account.
- If the supply cord is damaged, it must be replaced by the manufacturer or its service agent or a similarly qualified person in order to avoid a hazard.
- The air must not be discharged into a flue that is used for exhausting fumes from appliances burning gas or other fuels (not applicable to appliances that only discharge the air back into the room).
- The minimum distance between the supporting surface for the cooking vessels on the hob and the lowest part of the range hood is 650 mm.
- Regulations concerning the discharge of air have to be fulfilled.



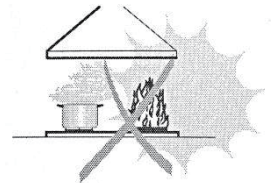
USE


- The extractor hood has been designed exclusively for domestic use to eliminate kitchen smells.
- Never use the hood for purposes other than for which it has been designed.
- Never leave high naked flames under the hood when it is in operation.
- Adjust the flame intensity to direct it onto the bottom of the pan only, making sure that it does not engulf the sides.
- Deep fat fryers must be continuously monitored during use: overheated oil can burst into flames.
- This appliance is not intended for use by persons (including children) with reduced physical, sensory or mental capabilities, or lack of experience and knowledge, unless they have been given supervision or instruction concerning use of the appliance by a person responsible for their safety.
- Children should be supervised to ensure that they do not play with the appliance.
- There shall be adequate ventilation of the room when the range hood is used at the same time as appliances burning gas or other fuels (not applicable to appliances that only discharge the air back into the room).
- There is a fire risk if cleaning is not carried out in accordance with the instructions.
- Do not flame under the range hood.
- **“CAUTION:** Accessible parts may become hot when used with cooking appliances”.



MAINTENANCE

- The cooker hood and its filter should be cleaned regularly according to the instruction.
- Switch off or unplug the appliance from the mains supply before carrying out any maintenance work.
- Clean the hood using a damp cloth and a neutral liquid detergent.
- The appliance uses 4 hob elements at most.



The symbol  is packaging indicates that this product may not be treated as household waste. Instead it shall be handed over to the applicable collection point for the recycling of electrical and electronic equipment. By ensuring this product is disposed of correctly, you will help prevent potential negative consequences for the environment and human health, which could otherwise be caused by inappropriate waste handling of this product. For more detailed information about recycling of this product, please contact your local city office, your household waste disposal service or the shop where you purchased the product.

MAIN PARAMETERS

Rated Voltage and Frequency

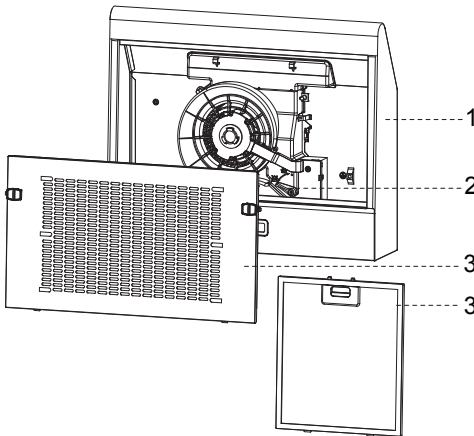
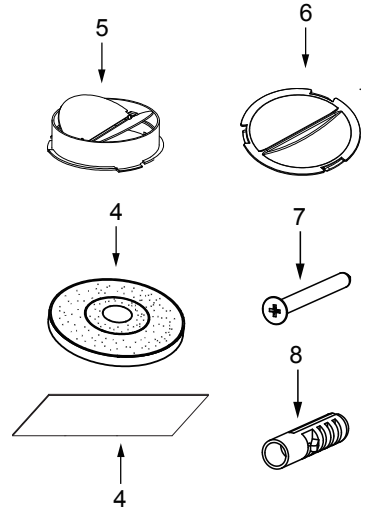
220-240V~ 50/60Hz Motor Input Power:38W

In certain circumstances electrical appliance may be a danger hazard.

COMPONENTS

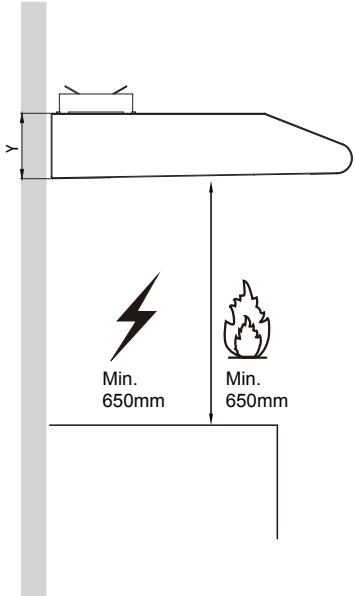
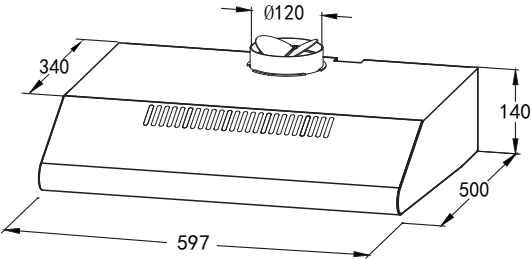
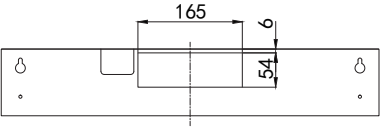
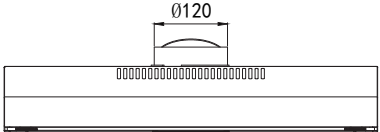
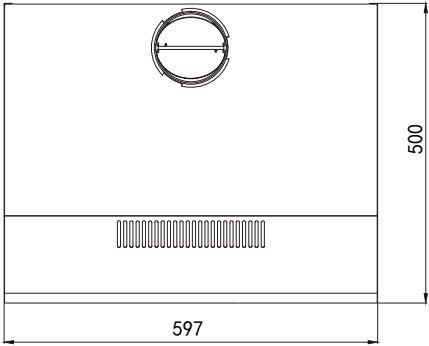
Ref.	Qty.	Product Components
1	1	Main Body
2	1	Venting Knob
3	1	Filter Assembly (optional 2 or 3)

Ref.	Qty.	Installation Components
4	1	Carbon Filter(optional)
5	1	Check Valve
6	1	Air Outlet Cap
7	4	Screws 5mm x 49mm
8	4	Plastic Wall Plugs



DIMENSIONS

unit: mm

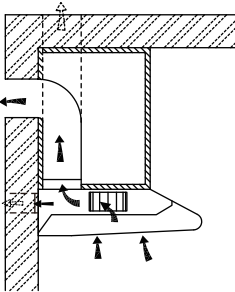


INSTALLATION

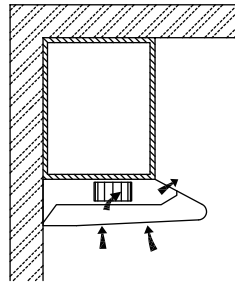
WALL DRILLING AND BRACKET FIXING

- Please read the instructions carefully.
- Unpack the canopy and check that all functions are working. Ensure that the voltage (V) and the frequency (Hz) indicated on the serial plate match the voltage and frequency at the installation site.
- Check that the area behind the installation surface to be drilled is clear of any electrical cables or pipes, etc.
- The stainless steel and glass surfaces of the canopy are very easily damaged during installation if grazed or knocked by tools. Please take care to protect the surfaces during installation.
- Protect the cooktop surface below with cardboard, or the like, to prevent damage occurring whilst the wall canopy is being installed above.
- The manufacturer shall not be liable for failure to observe all safety regulations in force for the correct and normal operation of electrical parts.

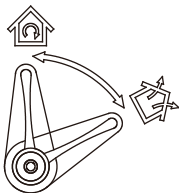
Choose a venting mode:





Extraction-air mode



Recirculation mode

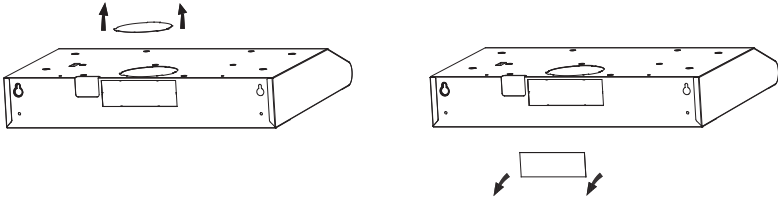


Venting knob position

	Extraction-air mode: Turn the venting knob here means venting outside
	Circulating-air mode: Turn the venting knob here means recirculation

Information

- Sufficient air is needed for proper combustion and exhaustion of gases through the flue (chimney) of fuel burning equipment to prevent back drafting. Ductless fans must always be vented to the outdoors.
- When assessing the air pressure, the entire ventilation system in the house/apartment must be taken into account, e.g. hob and/or gas cooker, this rule does not apply.
- Government regulations must be observed for the conveyance of exhaust air. If the extractor hood is used in circulating air mode with activated carbon filter, there are no operating restrictions.
- If you choose extraction-air mode, there are two methods for ventilation, including 'horizontal ventilation' and 'vertical ventilation'. Please use tool take out the cover before using and install check valve on the hole.
- The square air check valve for horizontal ventilation is not supplied.



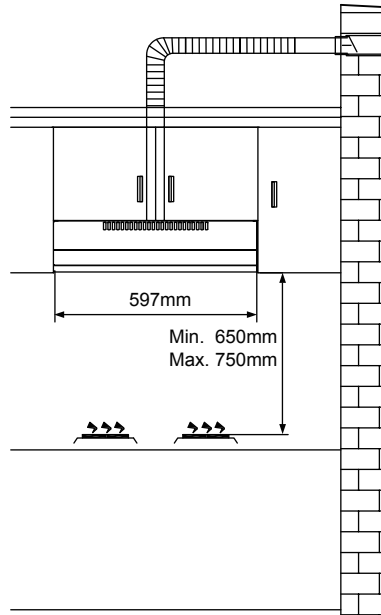
Prepare the installation :

Ensure the power has been turned off before beginning this installation. Plug must be assembled in places easy to drag and insert.

To install this hood you will require two assistants. You will need following tools and material to complete this installation.

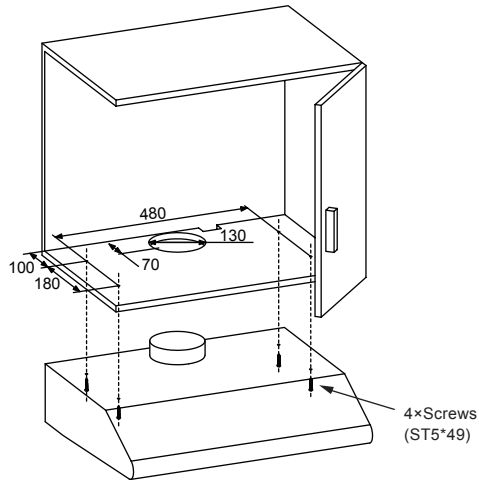
Tools you will need:

- Drill appropriate to your wall
 - Phillips Screwdriver
 - Tape Measure
 - Hand Saw or Jig Saw
-
- Installation work and electrical wiring must be done by qualified person(s) in accordance with all applicable codes and standards, including fire rated construction.
 - Do not discharge the exhaust air into a flue from other appliances burning gas or other fuels.
 - Regulations concerning the discharge of air have to be fulfilled.
 - The cooker hood must be placed at a minimum distance of 65cm above the cooking surface of a hob.
 - The cooker hood must be placed at a maximum distance of 75cm above the cooking surface of a hob.



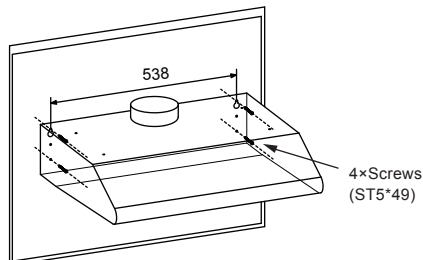
CUPBOARD MOUNTING INSTALLATION

- Drill a 130mm diameter and four 3.5mm diameter hole as below picture.
- **ATTENTION:** If your cooker hood works at circulating-air mode, it is not necessary to drill 130mm diameter hole.
- Use the 4 screws to fix the cooker hood to a kitchen cupboard. Check that your fixings are correctly located, by temporarily fitting the cooker hood. If correct, fit the unit into position. Tighten the screws if necessary.



WALL MOUNTING INSTALLATION

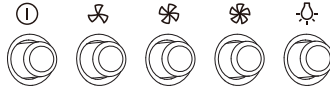
- To mount on the wall, drill two 10mm diameter holes 538mm with the vent hole on the top of the cooker hood in the middle as below picture. Make sure the hood is aligned directly over the hob.
- Insert two plastic wall plugs (supplied) into the holes.
- Insert two screws into the upper two plastic wall plugs and tighten them leaving 3mm protruding from the wall.
- Mount the cooker hood onto the two screws and mark the bottom two screw positions.
- Remove the hood and drill the bottom two screw holes and insert the plastic wall plugs.
- Mount the hood on the top screws, insert the bottom screws and fully tighten all the screws.








Information

The air must not be discharged into a flue that is used for exhausting fumes from appliances burning gas or other fuels.

OPERATION

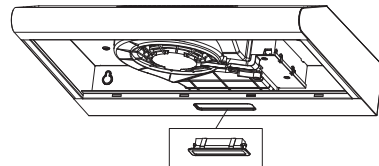
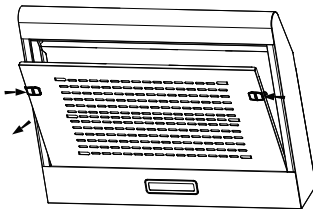



	OFF MOTOR SWITCH: Press on this switch to stop the motor operation.
	SPEED SWITCH: Press on this switch, the motor runs at LOW speed.
	SPEED SWITCH: Press on this switch, the motor runs at MEDIUM speed.
	SPEED SWITCH: Press on this switch, the motor runs at HIGH speed.
	ON/OFF LIGHTING SWITCH: Press on this switch to turn on the lights, and press again to turn them off.

LIGHTING

LIGHT REPLACEMENT

- Switch off the extractor hood and isolate the extractor hood by pulling out the mains plug or switching off the fuse.
- Remove the grease filter.
- Remove the light by levering its fitting from the hood body (this may require pressure or force to be applied).
- Disconnect the connector of the light.
- Replace the light with a new one of the same type, making sure that you connect the light with the light cable correctly.
- Reconnect the power by inserting the mains plug or by switching on the fuse.



	Max power	Voltage	Picture	Lamp Cap	ILCOS D code
Self-ballasted LED modules	1.5W	220V-240V	 Square/Diameter:33.2mmx120mm	/	DBS-1.5-H-33.2/120

CLEANING AND MAINTENANCE

Disconnect range hood from power supply before cleaning or servicing.

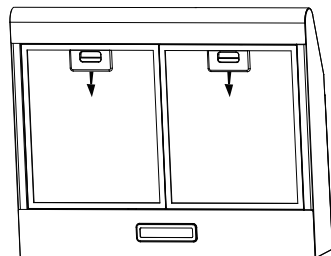
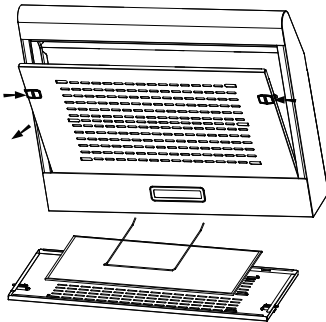
- Cleaning the surface of hood frequently. Use mild soap or detergent to clean the hood.
- Do not use harsh alkalis or abrasives.
- Avoid the use of scouring powers or dishwasher compounds.
- Grease filter may be washed using mild soap or detergent. (Heavy grease build-up may not be cleaned easily and the filter may require replacement).
- Charcoal filter cannot be cleaned and must be replaced regularly.

Information

Cleaning water must not inter into motor, control switch etc. electrical parts.

It is recommendable to clean the metallic filter every three months by carrying out the following instruction:

- Remove the metallic filter from the cooker hood and wash it in asolution of water and neutral liquid detergent, leaving to soak.
- Rinse thoroughly with warm water and leave to dry.
- The metallic filter may alter in color after several washes. This is notcause for customer complaint or replacement of metallic filter.

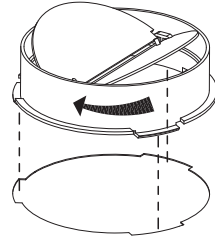


Information

There is a fire risk if cleaning is not carried out in accordance with the instructions.

CHECK VALVE INSTALLATION

Hold on check valve with your hands, align the box gap, put in the check valve, and then spin to a certain angle until three angles of the valve are stuck. Installation is complete. The fixing type for external air-guides and check valve shall comply with the requirement of standard IEC/EN 60335-1.

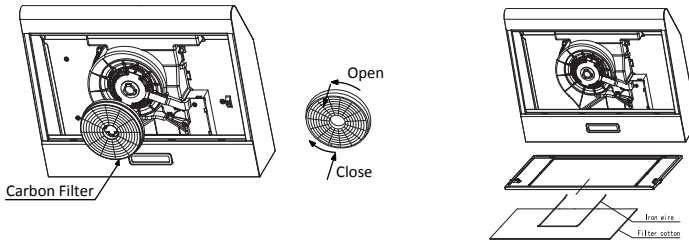


INSTALLING THE CARBON FILTER

- Remove the grease filter, and remove the iron wire.
- The filter cotton is located on the metal mesh and fixed by iron wire.
- Replace a new filter cotton, apply reverse procedure for reinstallaiton.

Warning: the filter cotton cannot be washed or recycled. It should be replaced after approximately 2-3 months of use.

Remark: Filter cotton is not supplied with your appliance(optional).



DISPOSAL



The European directive 2012/19/EU on Waste Electrical and Electronic Equipment (WEEE), requires that old household electrical appliances must not be disposed of in the normal unsorted municipal waste stream. Old appliances must be collected separately in order to optimize the recovery and recycling of the materials they contain, and reduce the impact on human health and the environment.

The crossed out “wheeled bin” symbol on the product reminds you of your obligation, that when you dispose of the appliance, it must be separately collected. Consumers should contact their local authority or retailer for information concerning the correct disposal of their old appliance.

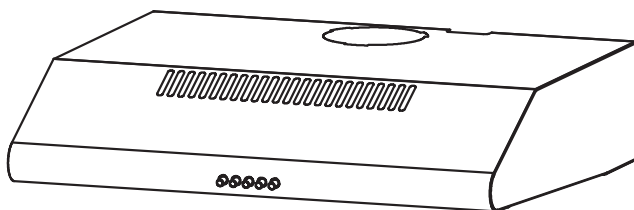
TROUBLE SHOOTING

Fault	Cause	Solution
Light on, but motor does not work	The blades are blocked.	Check the blade.
	The capacitor is damaged.	Replace capacitor.
	The motor is damaged.	Replace motor.
	The internal wiring of motor is cut off/ disconnected. An unpleasant smell may be produced.	Replace motor.
Both light and motor do not work	Apart from the above mentioned, check the following:	
	Light damaged.	Replace lights.
	Power cord loose.	Connect the wires as per the electric diagram.
Oil leakage	Outlet and the air ventilation entrance are not tightly sealed.	Take down the outlet and seal with glue.
Vibration	The blade, if damaged, can cause vibrating.	Replace the blade.
	The motor is not tightly fastened.	Fasten the motor tightly.
	The cooker hood is not tightly fixed.	Fixed the cooker hood tightly.
Insufficient suction	The distance between the cooker hood and the cooker top is too large.	Readjust the distance.
	Too much ventilation from open doors or windows.	Choose a new place to install the appliance or close some doors / windows.
The machine inclines	The fixing screws are not tight enough.	Tighten the fixing screw and make it horizontal.
	The hanging screws are not tight enough.	Tighten the hanging screw and make it horizontal.



SRB

TRD6F49IX
TRD6F49W




ASPIRATOR

UPUTSTVO ZA UPOTREBU

Pre upotrebe proizvoda pažljivo pročitajte uputstvo

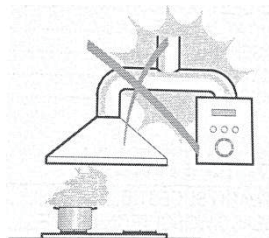
Slike u ovom uputstvu su samo za referencu, stvarni izgled proizvoda ima prednost.

PREPORUKE I SUGESTIJE

 Uputstva za upotrebu važe za više verzija ovog uređaja. Shodno tome, možete pronaći opise pojedinačnih funkcija koje se ne odnose na vaš konkretan uređaj.

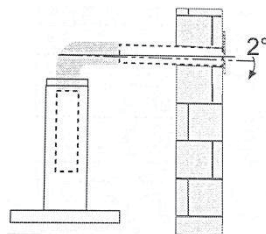
INSTALACIJA

- Proizvođač neće biti odgovoran za bilo kakvu štetu nastalu nepravilnim ili neodgovarajućim instaliranjem.
- Proverite da li mrežni napon odgovara onom naznačenom na natpisnoj pločici pričvršćenoj na unutrašnjoj strani uređaja.
- Za uređaje klase I, proverite da li napajanje u domaćinstvu poseduje adekvatno uzemljenje.
- Povežite izduvni ventilator sa izlaznom cevi minimalnog prečnika 120 mm.
- Izduvna cev treba da bude najkraća moguća.
- Ne povezujte aspirator sa sa izlaznim cevima koje prenose produktate sagorevanja (kotlevi, kamini, itd).
- Ukoliko uputstva za instalaciju za plinski šporet zahtevaju veće udaljenosti od gore navedenih, to treba uzeti u obzir.
- U slučaju da je kabl za napajanje oštećen, mora ga zameniti proizvođač ili njegov serviser ili slično kvalifikovana osoba, kako bi se izbegla opasnost.
- Vazduh se ne sme ispuštati u dimnjak koji se koristi za izduvavanje gasnih ili drugih goriva (ne primenjuje se na uređaje koji samo vraćaju vazduh u prostoriju).
- Minimalno rastojanje između ploče sa ringlama i najnižeg dela aspiratora mora biti 650 mm.
- Svi propisi koji se odnose na ispuštanje vazduha moraju biti ispunjeni.



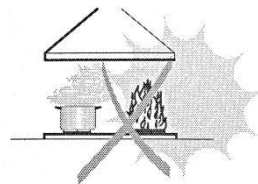
UPOTREBA


- Aspirator je namenjen isključivo za kućnu upotrebu radi uklanjanja mirisa iz kuhinje.
- Nikada ne koristite aspirator u druge svrhe osim u one za koje je namenjena.
- Nikada ne ostavljajte otvoreni plamen ispod aspiratora dok je u funkciji.
- Podesite jačinu plamena tako da direktno deluje samo na dno posude, pazeći da ne obuhvati bočne strane.
- Duboki tiganji za prženje moraju biti neprekidno nadgledani tokom upotrebe: pregrejano ulje može prouzrokovati vatru.
- Ovaj uređaj nije namenjen za upotrebu od strane osoba (uključujući decu) sa smanjenim fizičkim, senzornim ili mentalnim sposobnostima, ili nedostatkom iskustva i znanja, osim ukoliko im je pružen nadzor ili instrukcije u vezi sa upotrebom uređaja od strane osobe odgovorne za njihovu bezbednost.
- Deca treba da budu pod nadzorom kako bi se osiguralo da se ne igraju uređajem.
- Treba obezbediti adekvatnu ventilaciju prostorije kada se aspirator koristi istovremeno sa uređajima koji koriste gas ili druga goriva (ne primenjuje se na uređaje koji samo vraćaju vazduh u prostoriju).
- Postoji rizik od požara ukoliko se čišćenje ne obavlja u skladu sa uputstvima.
- Nemojte paliti hranu (flambirati) ispod aspiratora.
- **“PAZNJA:** Pristupačni delovi mogu postati vrući prilikom korišćenja kuhinjskih aparata.”



ODRŽAVANJE

- Aspirator i filter treba redovno čistiti prema uputstvima.
- Isključite utikač uređaja iz električne utičnice pre čišćenja uređaja.
- Očistite haubu aspiratora koristeći vlažnu krpu i neutralni tečni deterdžent.
- Uređaj koristi maksimalno 4 grejne zone na šporetu.



Simbol  na ambalaži ukazuje na to da se ovaj proizvod ne sme tretirati kao kućni otpad. Umesto toga, treba ga predati odgovarajućem sakupljaštu za recikliranje električne i elektronske opreme. Osiguravajući pravilno odlaganje ovog proizvoda, pomažete sprečavanju potencijalno negativnih posledica po životnu sredinu i ljudsko zdravlje, koje bi inače mogle nastati usled neadekvatnog rukovanja otpadom ovog proizvoda. Za detaljnije informacije o reciklaži ovog proizvoda, obratite se lokalnoj gradskoj upravi, službi za odlaganje kućnog otpada ili prodavnicu u kojoj ste kupili proizvod.

GLAVNI PARAMETRI

Napon i frekvencija: 220-240V~ 50/60Hz

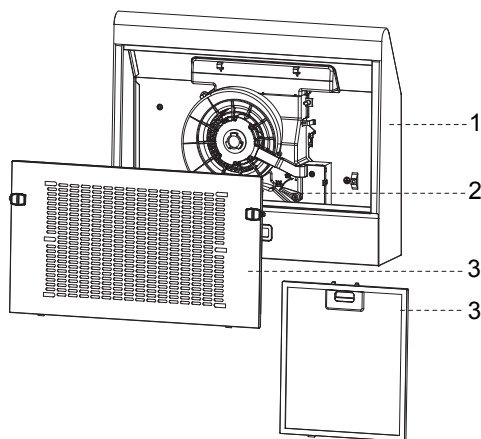
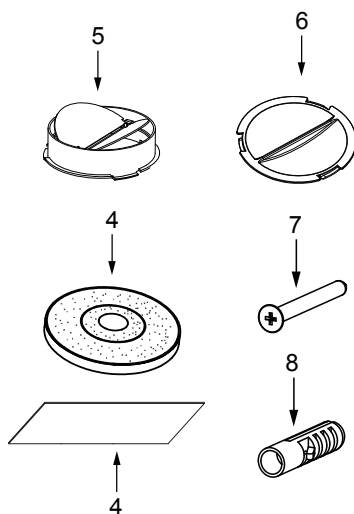
Ulazna snaga motora: 38W

U određenim okolnostima električni uređaj može biti opasan.

KOMPONENTE

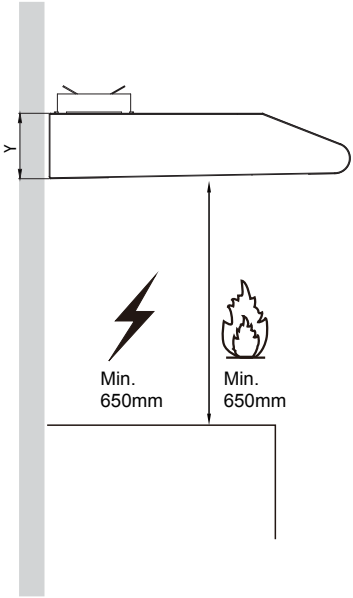
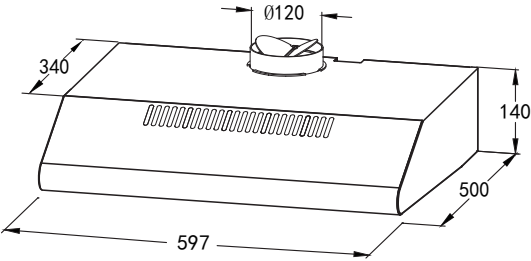
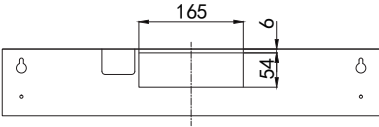
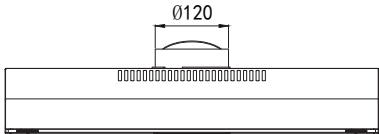
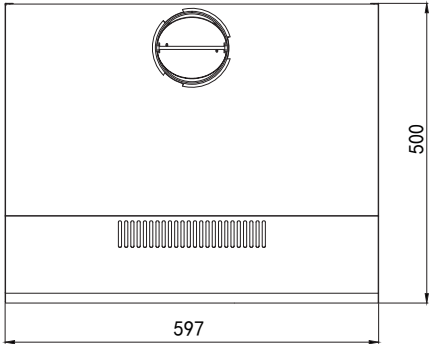
Br.	Kol.	Delovi proizvoda
1	1	Glavno telo
2	1	Ventilaciono dugme
3	1	Sklop filtera (opciono 2 ili 3)

Br.	Kol.	Delovi za instalaciju
4	1	Ugljeni filter (opciono)
5	1	Ventil za protok vazduha
6	1	Poklopac za izlaz vazduha
7	4	Vijci 5mm x 49mm
8	4	Plastični tiplovi za zid



DIMENZIJE

jedinica: mm

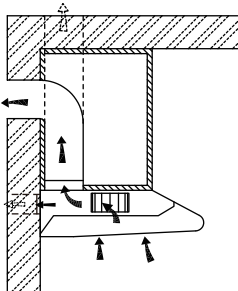


INSTALACIJA

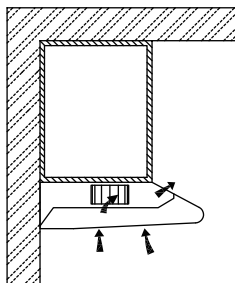
BUŠENJE ZIDA I MONTAŽA NOSAČA

- Molimo vas da pažljivo pročitate uputstvo.
- Raspakujte kućište i proverite da li sve funkcije rade. Obezbedite da napon (V) i frekvencija (Hz) naznačeni na serijskoj tablici odgovaraju naponu i frekvenciji na mestu instalacije.
- Proverite da je područje iza površine na koju će se vršiti bušenje slobodno od električnih kablova ili cevi, itd.
- Nerđajući čelik i staklene površine kućišta se lako mogu oštetiti tokom instalacije ako se dodiruju ili udaraju alatima. Molimo vas da pazite i zaštitite površine tokom instalacije.
- Zaštite površinu šporeta ispod kućišta kartonom ili sličnim materijalom kako bi se sprečilo oštećenje tokom instalacije zidne nape.
- Proizvođač neće biti odgovoran za nepoštovanje svih važećih sigurnosnih propisa za ispravan i normalan rad električnih delova.

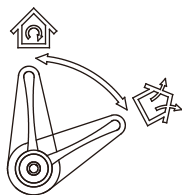
Izaberite režim ventilacije:





Režim izduvanja vazduha



Režim recirkulacije

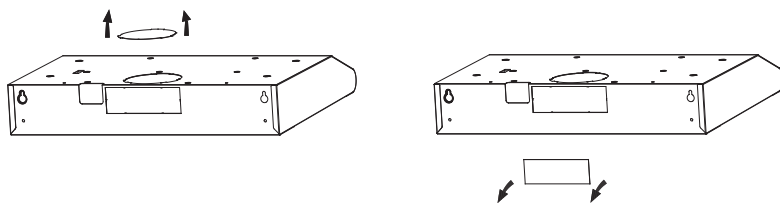


Položaj ventilacionog dugmeta

	Režim izduvanja vazduha: Postavite ventilaciono dugme u položaj izduvanje napolje.
	Režim recirkulacije vazduha: Postavite ventilaciono dugme u položaj za recirkulaciju.

Informacije

- Za pravilnu sagorevanje i izduvanje gasova kroz dimnjak uređaja koji koriste gorivo, potrebno je obezbediti dovoljno vazduha kako bi se sprečilo vraćanje dima unazad. Ventilatori bez cevi za izduvanje uvek moraju biti usmereni prema spoljašnjem prostoru.
- Pri proceni pritiska vazduha, treba uzeti u obzir celokupni ventilacioni sistem u kući/stanu, na primer, kod šporeta i/ili plinskog šporeta, ovo pravilo se ne primenjuje.
- Moraju se poštovati državni propisi za odvođenje ispušnog vazduha. Ako se aspirator koristi u režimu recirkulacije sa aktivnim ugljenim filterom, nema ograničenja u radu.
- Ako izaberete režim izduvanja vazduha, postoje dva načina za ventilaciju, uključujući "horizontalnu ventilaciju" i "vertikalnu ventilaciju". Molimo koristite alat da biste izvadili poklopac pre upotrebe i postavite ventil za protok vazduha na otvor.
- Kvadratni ventil za proveru protoka vazduha za horizontalnu ventilaciju se ne isporučuje.



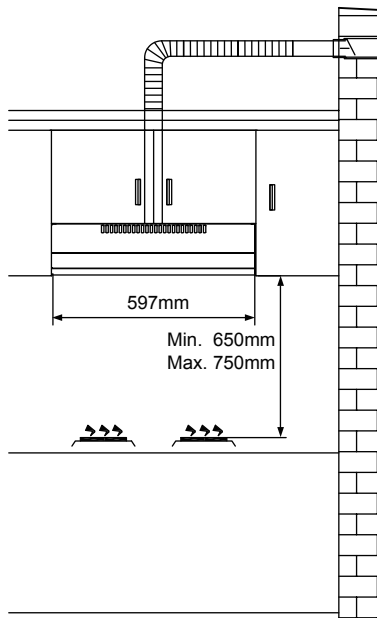
Priprema za instalaciju:

Napajanje mora biti isključeno pre početka instalacije. Utikač mora da se montira na mestima koja su lako dostupna za vuču i umetanje.

Za instalaciju ovog aspiratora potrebna su vam dva pomoćnika. Za instaliranje su vam potrebni sledeći alati i materijali.

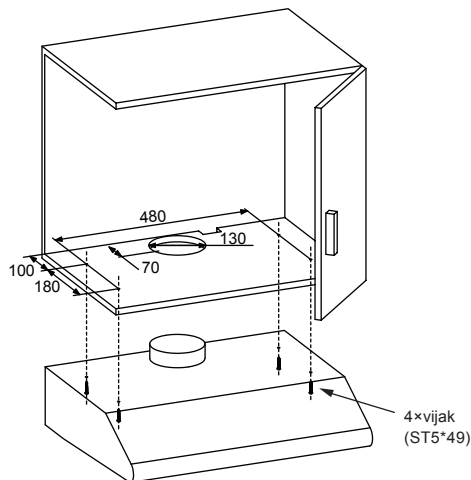
Potreban alat:

- Odgovarajuća bušilica za zid
- Phillips odvijač
- Merna traka
- Ručna ili ubodna testera
- Radovi na instalaciji i električnoj instalaciji moraju biti obavljani od strane kvalifikovanih lica u skladu sa svim primenljivim propisima i standardima, uključujući konstrukciju otpornu na požar.
- Nemojte da ispuštate izduvni vazduh u dimnjak iz drugih uređaja koji koriste gas ili druge materijale kao gorivo.
- Propisi vezani za ispuštanje vazduha moraju biti ispunjeni.
- Aspirator se mora postaviti na minimalnoj udaljenosti od 65 cm iznad radne površine šporeta.
- Aspirator se mora postaviti na maksimalnoj udaljenosti od 75cm iznad radne površine šporeta.



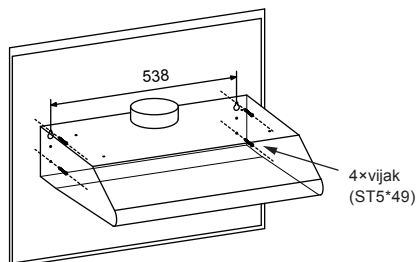
MONTAŽA NA ORMARIĆ

- Bušite rupe prečnika 130 mm i četiri rupe prečnika 3,5 mm kao što je prikazano na slici ispod.
- **PAŽNJA:** Ako vaš aspirator funkcioniše u režimu recirkulacije vazduha, nije potrebno bušiti rupu prečnika 130 mm.
- Upotrebite 4 šrafa da fiksirate aspirator na kuhinjski ormarić. Proverite da su fiksacije pravilno postavljene probnim kratkim postavljanjem aspiratora. Ako je sve ispravno, postavite uređaj na krajnje odredište. Po potrebi zategnite šrafove.



MONTAŽA NA ZID

- Da biste montirali na zid, probušite dve rupe prečnika 10 mm udaljene 538 mm od otvora za ventilaciju na vrhu aspiratora, kao na slici ispod. Vodite računa da aspirator bude postavljen direktno iznad šporeta.
- Umetnite dva plastična tipla (isporučena) u rupe.
- Umetnite dva vijka u gornja dva plastična tipla i zategnite ih tako da iz zida viri 3 mm.
- Postavite aspirator na ova dva vijka i označite pozicije donja dva vijka.
- Pomerite aspirator i probušite rupe za donja dva vijka, zatim umetnite plastične zidne tiplove.
- Montirajte aspirator na gornje vijke, umetnite donje vijke i potpuno zategnite sve vijke.





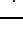


Informacije

Vazduh se ne sme ispuštati u dimnjak koji se koristi za odvođenje dimova iz uređaja koji sagorevaju gas ili druga goriva.

RAD UREĐAJA

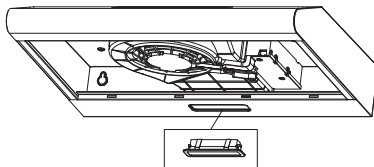
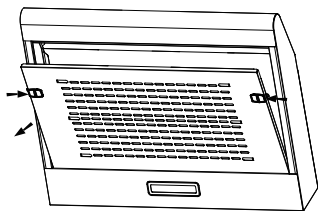



	PREKIDAČ ZA ISKLJUČIVANJE MOTORA: Pritisnite ovaj prekidač da zaustavite rad motora.
	PREKIDAČ BRZINE: Pritisnite ovaj prekidač, motor će raditi na NISKOJ brzini.
	PREKIDAČ BRZINE: Pritisnite ovaj prekidač, motor će raditi na SREDNJOJ brzini.
	PREKIDAČ BRZINE: Pritisnite ovaj prekidač, motor će raditi na VISOKOJ brzini.
	PREKIDAČ ZA UKLJUČIVANJE/ISKLJUČIVANJE SVETLA: Pritisnite ovaj prekidač da uključite svetla i ponovo pritisnite da ih isključite.

OSVETLJENJE

ZAMENA SIJALICE

- Isključite aspirator i izvadite utikač iz utičnice ili isključite osigurač.
- Uklonite filter za masnoću.
- Uklonite sijalicu tako što ćete je izvuci iz kućišta aspiratora (ovo može zahtevati pritisak ili silu).
- Isključite konektor svetla.
- Zamenite sijalicu novom istog tipa, pazeci da pravilno povežete sijalicu sa kablom za svetlo.
- Ponovo priključite napajanje umetanjem utikača ili uključivanjem osigurača.



	Max snaga	Napon	Slika	Poklopac lampice	ILCOS D kod
LED moduli sa sopstvenim balastom	1.5W	220V-240V	 Kvadrat/Prečnik; 33.2mmx120mm	/	DBS-1.5-H-33.2/120

ČIŠĆENJE I ODRŽAVANJE

Isključite aspirator iz napajanja pre nego što ga očistite ili servisirate.

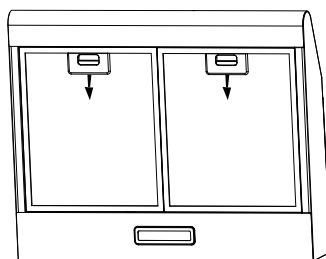
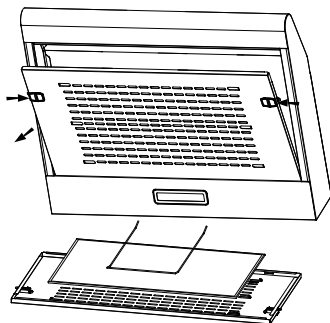
- Redovno čistite površinu aspiratora. Koristite blagi sapun ili deterdžent za čišćenje aspiratora.
- Nemojte koristiti jake alkale ili abrazive.
- Izbegavajte upotrebu sredstava za čišćenje sa abrazivnim delićima ili sredstava za mašinsko pranje posuđa.
- Filter za masnoću se može prati blagim sapunom ili deterdžentom. (Značajna nakupljanja masnoće se mogu teže očistiti i filter može zahtevati zamenu).
- Ugljeni filter ne može da se pere i treba redovno da se menja.

Informacije

Prilikom čišćenja, voda ne sme dospovati u motor, kontrolni prekidač i ostale električne delove.

Preporučljivo je čistiti metalni filter svaka tri meseca, prateći sledeće instrukcije:

- Uklonite metalni filter sa aspiratora i operite ga u rastvoru vode i neutralnog tečnog deterdženta, ostavljajući ga da odstoji.
- Dobro isperite toplom vodom i ostavite da se osuši.
- Metalni filter može promeniti boju nakon nekoliko pranja. Ovo nije razlog za reklamaciju ili zamenu.

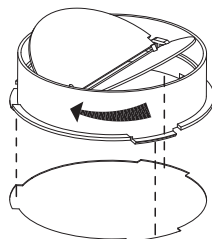


Informacije

Postoji rizik od požara ukoliko se čišćenje ne obavlja prema uputstvima.

INSTALIRANJE KONTROLNOG VENTILA

Držite kontrolni ventil rukama, poravnajte razmak u kutiji, stavite kontrolni ventil, a zatim okrenite pod određenim uglom dok se ne uglave tri ugla ventila. Instalacija je završena. Tip pričvršćivanja za spoljne vazdušne vodice i kontrolni ventil mora da bude u skladu sa zahtevima standarda IEC/EN 60335-1.

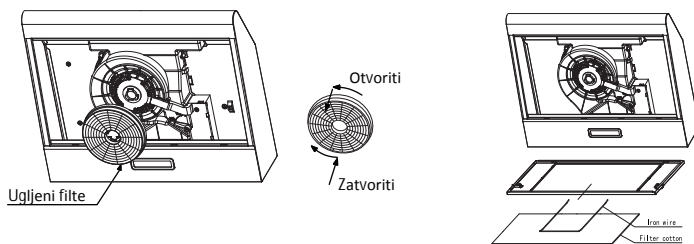


INSTALIRANJE UGLJENOG FILTERA

- Uklonite filter za masnoću i izvadite gvozdenu žicu.
- Pamučni filter se nalazi na metalnoj mreži i fiksiran je gvozdenom žicom.
- Zamenite pamučni filter novim, primenjujući obrnuti postupak za ponovno postavljanje.

Upozorenje: pamučni filter se ne može prati ili reciklirati. Treba ga zameniti nakon otprilike 2-3 meseca upotrebe.

Napomena: Pamučni filter se ne isporučuje uz uređaj (opciono).



ODLAGANJE



Evropska direktiva 2012/19/EU o otpadnoj električnoj i elektronskoj opremi (WEEE) zahteva da se stari električni aparati za domaćinstvo ne smeju odlagati u uobičajeni nesortirani tok komunalnog otpada. Stari uređaji se moraju sakupljati odvojeno kako bi se optimizovala obnova i reciklaža materijala koji sadrže i smanjio uticaj na zdravlje ljudi i životnu sredinu. Precrtani simbol „kante za otpatke“ na proizvodu podseća vas na vašu obavezu da kada odložite uređaj, on se mora posebno sakupljati. Potrošači treba da se obrate lokalnim vlastima ili prodavcu za informacije o pravilnom odlaganju svog starog uređaja.

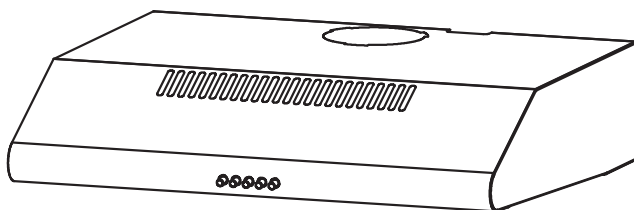
REŠAVANJE PROBLEMA

Kvar	Uzrok	Rešenje
Svetlo je uključeno, ali motor ne radi	Oštrice su blokirane.	Proverite oštrice.
	Kondenzator je oštećen.	Zamenite kondenzator.
	Motor je oštećen.	Zamenite motor.
	Unutrašnje ožičenje motora je prekinuto / isključeno. Može se pojaviti neprijatan miris.	Zamenite motor.
Ne rade ni svetlo, ni motor	Osim gore navedenog, proverite sledeće:	
	Sijalica je oštećena.	Zamenite sijalicu.
	Kabl za napajanje je labav.	Povežite žice prema električnom dijagramu.
Curenje ulja	Izlaz i ulaz za ventilaciju vazduha nisu dobro zatvoreni.	Skinite izlazno i zalepite lepkom.
Vibriranje	Oštrica, ako je oštećena, može izazvati vibracije.	Zamenite oštricu.
	Motor nije čvrsto pričvršćen.	Pričvrstite motor.
	Aspirator nije dobro pričvršćen.	Pričvrstite aspirator.
Slabo uvlačenje	Udaljenost između aspiratora i ploče šporeta je prevelika.	Prilagodite udaljenost.
	Previše ventilacije od otvorenih vrata ili prozore.	Izaberite novo mesto za instaliranje uređaja ili zatvorite neka vrata/prozore.
Uređaj se naginje	Vijci za pričvršćivanje nisu dovoljno zategnuti.	Zategnite zavrtanj za pričvršćivanje i postavite ga horizontalno.
	Vijci koji vise nisu zategnuti dovoljno.	Zategnite zavrtanj koji visi i postavite ga horizontalno.



SVN

TRD6F49IX
TRD6F49W




KUHINJSKA NAPA

NAVODILA ZA UPORABO

Pred uporabo natančno preberite ta priročnik

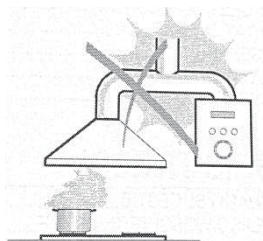
Slike v tem priročniku so samo za referenco, upoštevajte dejanski izgled.

PRIPOROČILA IN NASVETI

 Navodila za uporabo veljajo za več različic te naprave. Tako so lahko v navodilih opisi posameznih lastnosti, ki ne veljajo za vašo specifično napravo.

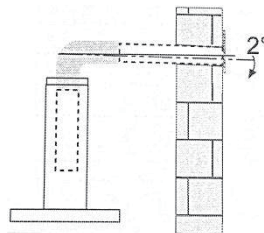
NAMESTITEV

- Proizvajalec ne prevzema odgovornosti za škodo, ki je posledica nepravilne namestitve.
- Najmanjša dovoljena razdalja med kuhhalno ploščo in napo je 650 mm (nekatero modele lahko namestite nižje, glejte poglavja z delovnimi dimenzijami in navodili za namestitev)
- Preverite, ali omrežna napetost ustreza napetosti, navedeni na ploščici s tehničnimi podatki na kuhinjski napi.
- Pri napravah razreda I preverite, ali električno omrežje v gospodinjstvu omogoča zadovoljivo ozemljitev.
- Priključite napo (ekstraktor) na izpušno dimno cev prek cevi z minimalnim premerom 120 mm. Pot dimne cevi mora biti čim krajša.
- Cev za odvod zraka kuhinjske nape ne sme biti nikoli napeljan v zračnik, na katerega je že priključen odvod zraka n.pr. grelnega telesa (radiatorja, grelca za vodo...).
- Če se napa uporablja skupaj z napravami, ki niso električne (na primer plinskimi napravami), mora biti zajamčeno ustrezno prezračevanje prostora, da bi preprečili povratni tok izpušnega plina. Kuhinja mora imeti odprtino, ki je povezana neposredno s svežim zrakom in omogoča dovod svežega zraka. Če kuhinjsko napo uporabljate skupaj z napravami, ki delujejo na druge vrste energije razen električno, negativni tlak v prostoru ne sme preseči 0,04 mbar; to preprečuje vračanje dimnih plinov prek kuhinjske nape nazaj v kuhinjo.
- Če je električni kabel poškodovan, ga mora nemudoma zamenjati proizvajalec, njegov pooblaščen servisler ali ustrezno usposobljeno tehnično osebje, da preprečite nevarnost.
- Če navodila za namestitev nape določajo večjo razdaljo, kot je navedena zgoraj, morate ta navodila upoštevati. Upoštevati je treba predpise o izpustu zraka v okolico.



UPORABA


- Kuhinjska napa je namenjena uporabi v gospodinjstvih za odstranjevanje vonjav pri običajnem kuhanju.
- Nikoli ne uporabljajte nape za nobene druge namene razen za namene, za katere je zasnovana.
- Nikoli ne puščajte pod delujočo napo visokih odprtih plamenov.
- Prilagodite intenzivnost plamenov tako, da se prilaga dnu posode in pazite, da plamen ne obližuje stranic posode.
- Posodo za pečenje in praženje je treba neprenehoma nadzorovati; pregreto olje zlahka zagori.
- Ne flambirajte hrane pod kuhinjsko napo; nevarnost požara.
- Napravo smejo uporabljati otroci od 8 leta starosti dalje in ljudje z zmanjšanimi fizičnimi, čutnimi ali duševnimi sposobnostmi ali s pomanjkanjem izkušenj in znanja, če jo uporabljajo pod nadzorstvom ali so poučeni o varni uporabi naprave in o možnih posledičnih nevarnostih s strani osebe, ki je odgovorna za njihovo varnost.
- Otroke je treba nadzorovati in zagotoviti, da se ne igrajo z napravo.
- Otroci ne smejo opravljati postopkov čiščenja ali vzdrževanja naprav brez nadzora.
- "PREVIDNOST! Pri uporabi kuhalnikov se lahko dostopni deli kuhinjske nape močno segrejejo."

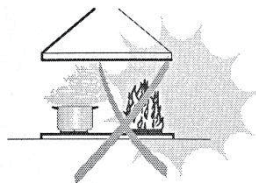


VZDRŽEVANJE

- Pred izvedbo katerega koli postopka vzdrževanja izključite napravo in izklopite električni kabel iz omrežja.
- Po določenem času očistite in/ali zamenjajte filtre (nevarnost požara).
- Napo očistite z vlažno krpo in z nevtralnimi gospodinjstvom tekočim detergentom.
- Naprava je primerna za največ 4 elemente kuhalne plošče.



Simbol  na izdelku ali na njegovi embalaži označuje, da z izdelkom ni dovoljeno ravnati kot z običajnimi gospodinjstvom odpadki. Izdelek odpeljite na ustrezno zbirno mesto za predelavo električne in elektronske opreme. S pravilnim načinom odstranjevanja izdelka boste pomagali preprečiti morebitne negativne posledice in vplive na okolje in zdravje ljudi, ki bi se lahko pojavile v primeru nepravilnega odstranjevanja izdelka. Za podrobnejše informacije o odstranjevanju in predelavi izdelka se obrnite na pristojen mestni organ za odstranjevanje odpadkov, komunalno službo ali na trgovino, v kateri ste izdelek kupili.



GLAVNI PARAMETRI

Nazivna napetost in frekvenca 220-240 V ~ 50/60 Hz

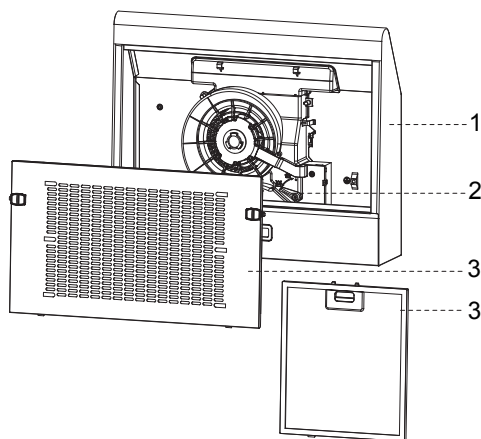
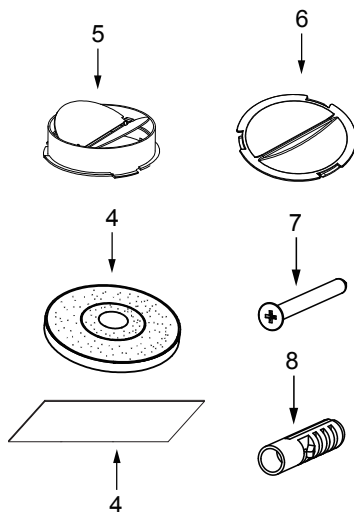
Vhodna moč motorja: 38 W

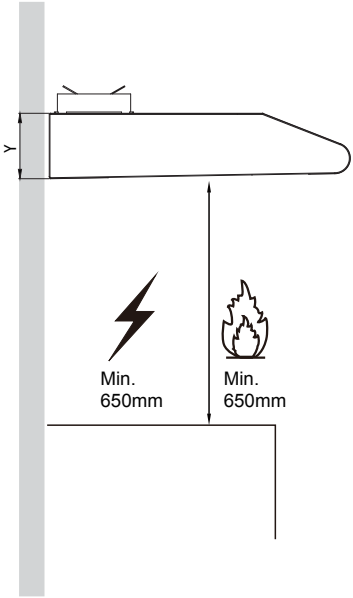
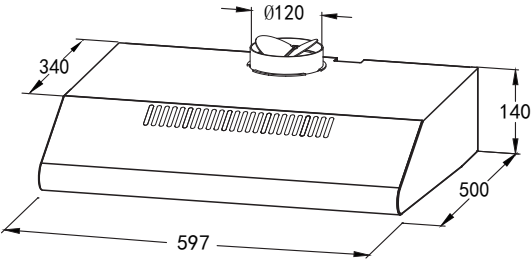
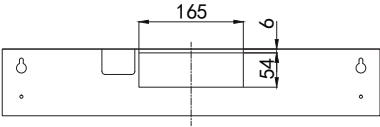
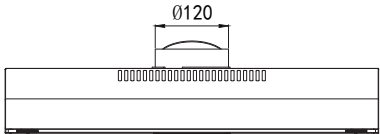
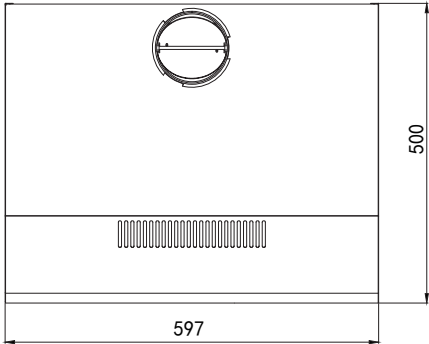
V določenih okoliščinah je lahko električna naprava nevarna.

SESTAVNI DELI

Št.	Količ.	Sestavni del
1	1	Glavni del
2	1	Odzračevalni gumb
3	1	Sklop filtra (izbirno 2 ali 3)

Št.	Količ.	Deli za namestitvev
4	1	Ogljikov filter (izbirno)
5	1	Kontrolni ventil
6	1	Pokrov za izhod zraka
7	4	Vijaki 5 mm x 49 mm
8	4	Plastični stenski čepi



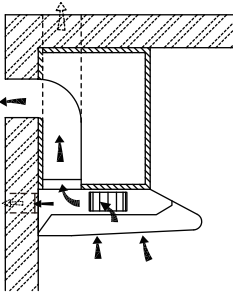


NAMESTITEV

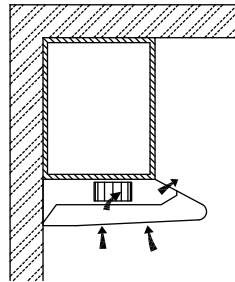
VRTANJE V STENE IN PRITRDITEV NOSILCEV

- Prosimo, da natančno preberete navodila.odila.
- Razpakirajte pokrov in preverite, ali vse funkcije delujejo. Prepričajte se, da se napetost (V) in frekvenca (Hz), navedeni na serijski ploščici, ujemata z napetostjo in frekvenco na mestu namestitve.
- Preverite, ali območje za namestitveno površino, v katero želite izvrtati, ni električnih kablov ali cevi itd.
- Površine iz nerjavečega jekla in stekla nadstreška se med montažo zelo hitro poškodujejo, če jih orodji zdrsnejo ali udarijo. Prosimo, da poskrbite za zaščito površin med namestitvev.
- Spodnjo površino kuhalne plošče zaščitite s kartonom ali podobnim, da preprečite poškodbe med nameščanjem stenskega nadstreška zgoraj.
- Proizvajalec ne odgovarja za neupoštevanje vseh veljavnih varnostnih predpisov za pravilno in normalno delovanje električnih delov.

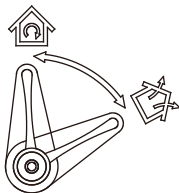
Izberite način prezračevanja:



Način odsesavanja
zraka



Recirkulacijski način

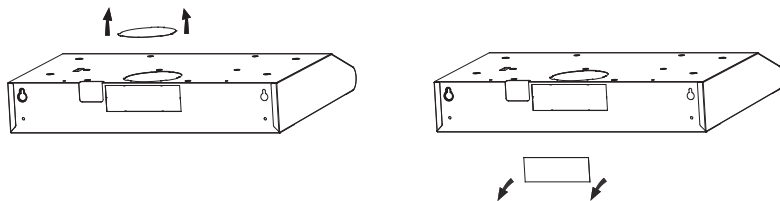


Položaj gumba za
odzračevanje

	Način odsesavanja zraka: zavrtanje gumba za odzračevanje tukaj pomeni odzračevanje zunaj
	Način kroženja zraka: zavrtanje gumba za odzračevanje tukaj pomeni recirkulacijo

Informacije

- Za pravilno zgorevanje in odvajanje plinov skozi dimnik (dimnik) opreme za zgorevanje goriva je potrebno dovolj zraka, da se prepreči povratni vlek. Ventilatorji brez kanalov morajo biti vedno odzračeni na prosto.
- Pri oceni zračnega tlaka je treba upoštevati celoten prezračevalni sistem v hiši/stanovanju, npr. kuhhalno ploščo in/ali plinski štedilnik, to pravilo ne velja.
- Upoštevati je treba državne predpise za prenos odpadnega zraka. Če se napa uporablja v načinu kroženja zraka s filtrom z aktivnim ogljem, ni nobenih omejitev delovanja.
- Če izberete način odvajanja zraka, sta na voljo dva načina prezračevanja, vključno z "vodoravnim prezračevanjem" in "navpičnim prezračevanjem". Z orodjem pred uporabo odstranite pokrov in na luknjo namestite povratni ventil.
- Kvadratni zračni povratni ventil za horizontalno prezračevanje ni priložen.



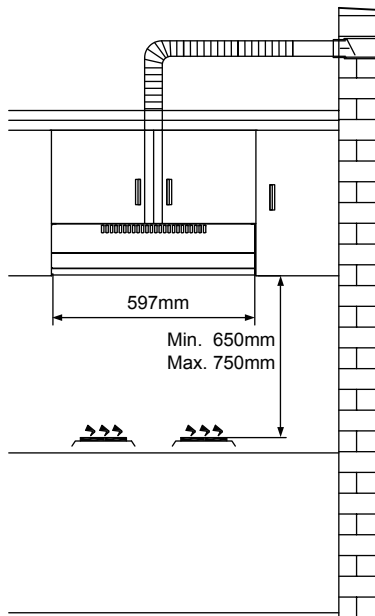
Prilagodite namestitvev

Pred začetkom namestitve se prepričajte, da je napajanje izklopljeno. Vtič mora biti sestavljen na mestih, ki jih je enostavno povleči in vstaviti.

Za namestitvev te nape boste potrebovali dva pomočnika. Za dokončanje te namestitve boste potrebovali naslednja orodja in materiale.

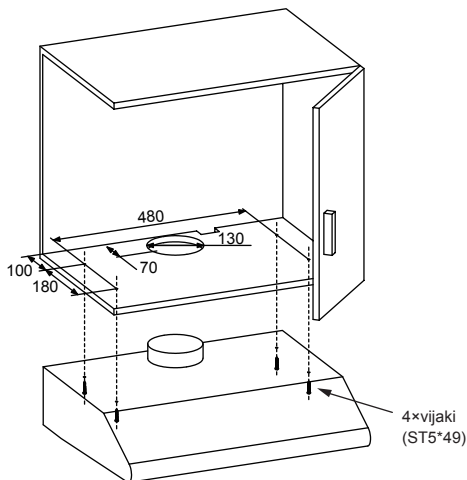
Orodja, ki jih boste potrebovali:

- Sveder, ki ustreza vaši steni
- Križni izvijač
- Merilni trak
- Ročna žaga ali vbodna žaga
- Namestitvena dela in električno napeljavo mora opraviti usposobljena(-e) oseba(-e) v skladu z vsemi veljavnimi kodeksi in standardi, vključno z gradnjo, ki je odporna proti ognju.
- Zraka ni dovoljeno odvajati v dimno cev, ki se uporablja za izpušne pline z naprav, ki uporabljajo zgorevalne pline ali druga goriva.
- Pri odvijanju zraka je treba upoštevati uradne in zakonske predpise
- Kuhinjska napa mora biti nameščena na razdalji najmanj 65 cm nad kuhhalno površino kuhhalne plošče.
- Kuhinjska napa mora biti nameščena na razdalji največ 75 cm nad kuhhalno površino kuhhalne plošče.



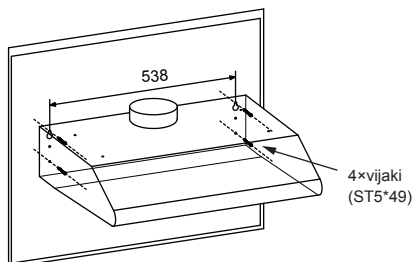
MONTAŽA OMARE

- Izvrtajte luknje s premerom 130 mm in štiri luknje s premerom 3,5 mm, kot je prikazano na spodnji sliki.
- **POZOR:** Če vaša kuhinjska napa deluje na način kroženja zraka, ni potrebno izvrtati luknje premera 130 mm.
- S 4 vijaki pritrdite kuhinjsko napo na kuhinjsko omarico. Preverite, ali so vaši pritrdilni elementi pravilno nameščeni, tako da začasno namestite kuhinjsko napo. Če je pravilno, namestite enoto na svoje mesto. Po potrebi privijte vijake.



STENSKA MONTAŽA

- Za montažo na steno izvrtajte dve luknji s premerom 10 mm in 538 mm z odzračevalno luknjo na vrhu kuhinjske nape na sredini, kot je prikazano na spodnji sliki. Prepričajte se, da je napa poravnana neposredno nad kuhalno ploščo.
- V luknje vstavite dva plastična stenska čepa (priložena).
- V zgornja dva plastična stenska vložka vstavite dva vijaka in privijte tako, da 3 mm štrlita iz stene.
- Kuhinjsko napo namestite na dva vijaka in označite položaj spodnjih dveh vijakov.
- Odstranite napo in izvrtajte spodnji dve luknji za vijake ter vstavite plastične stenske vložke.
- Napo namestite na zgornje vijake, vstavite spodnje vijake in popolnoma privijte vse vijake.








Informacija

Zrak se ne sme odvajati v dimnik, ki se uporablja za odvajanje hlapov iz naprav, ki uporabljajo plin ali druga goriva.

DELOVANJE

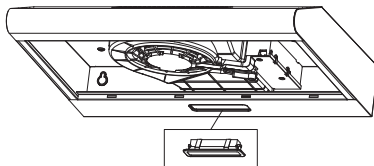
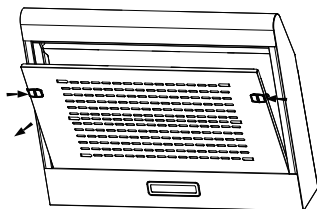



	STIKALO ZA IZKLOP MOTORJA: Pritisnite to stikalo, da zaustavite delovanje motorja.
	STIKALO ZA HITROST: Pritisnite na to stikalo, motor deluje z NIZKO hitrostjo.
	STIKALO ZA HITROST: Pritisnite na to stikalo, motor deluje pri SREDNJI hitrosti.
	STIKALO ZA HITROST: Pritisnite na to stikalo, motor deluje z VISOKO hitrostjo.
	STIKALO ZA VKLOP/IZKLOP LUČI: pritisnite na to stikalo, da vklopite luči, in ponovno pritisnite, da jih ugasnete.

RAZSVETLJAVA

ZAMENJAVA ŽARNICE

- Izklopite napo in jo izolirajte, tako da izvlečete električni vtičak iz omrežne ali izklopite varovalko.
- Odstranite maščobni filter.
- Odstranite nosilec žarnice, tako da ga izvlečete iz ohišja nape (morda boste morali uporabiti pritisk ali silo).
- Odklopite konektor žarnice.
- Zamenjajte žarnico z novo iste vrste in pri tem pazite, da pravilno priključite žarnico in žico žarnice.
- Ponovno priključite napajanje tako, da vstavite omrežni vtič ali vklopite varovalko.



	Najv. moč	Napetost	Slika	Pokrov svetilke	Koda ILCOS D
LED moduli z ločenim balastom	1.5W	220V-240V	 Kvadrat/premer:33.2mmx120mm	/	DBS-1.5-H-33.2/120

ČIŠČENJE IN VZDRŽEVANJE

Pred čiščenjem ali vzdrževanjem napravo vedno ugasnite ali izkjučite iz napajalnega omrežja.

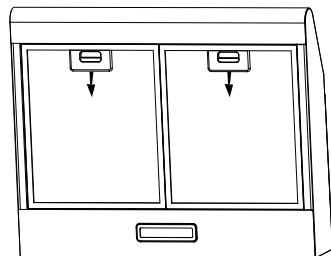
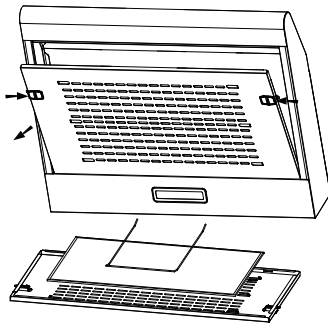
- Pogosto čistite površino nape. Za čiščenje nape uporabite blago milo ali detergent.
- Ne uporabljajte močnih alkalij ali abrazivov.
- Izogibajte se uporabi čistil ali sredstev za pomivanje posode.
- Maščobni filter lahko operete z blagim milom ali detergentom. (Močno nabiranje maščobe morda ne bo enostavno očistiti in bo morda treba zamenjati filter).
- Ogljena filtra ni mogoče očistiti in ga je treba redno menjati.

Informacija

Voda za čiščenje ne sme prodreti v električne dele motorja, krmilnega stikala itd.

Kovinski filter je priporočljivo čistiti vsake tri mesece z upoštevanjem naslednjih navodil:

- Odstranite kovinski filter iz kuhinjske nape in ga operite v raztopini vode in nevtralnega tekočega detergenta ter pustite, da se namoči.
- Filtre temeljito splaknite s toplo vodo in pustite, da se posušijo.
- Kovinski filter lahko po več pranjih spremeni barvo. To ni razlog za pritožbo strank ali zamenjavo kovinskega filtra.

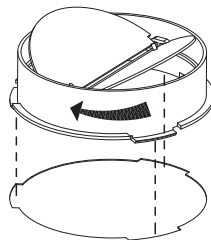


Informacija

Če čiščenje ne poteka v skladu z navodili, obstaja nevarnost požara.

VGRADNJA KONTROLNEGA VENTILA

Nepovratni ventil primite z rokami, poravnajte režo škatle, vstavite povratni ventil in ga zavrtite pod določenim kotom, dokler se trije koti ventila ne zataknejo. Namestitev je končana. Tip pritrditve za zunanje zračne vodnike in protipovratni ventil mora biti skladen z zahtevami standarda IEC/EN 60335-1.

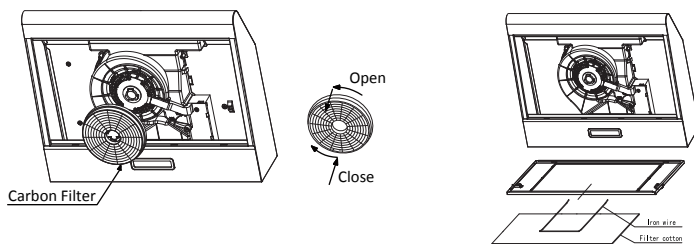


NAMESTITEV OGLJENEGA FILTRA

- Odstranite maščobni filter in železno žico.
- Filtrirna vata je nameščena na kovinski mreži in pritrjena z eno železno žico
- Zamenjajte novo vato filtra, za ponovno namestitev uporabite obratni postopek.

Opozorilo: the filter cotton cannot be washed or recycled. It should be replaced after approximately 2-3 months of use.

Opomba: Filtrirna vata ni priložena vašemu aparatu (izbirno)



ODLAGANJE



Evropska direktiva 2012/19/EU o odsluženi električni in elektronski opremi predpisuje, da odsluženi gospodinjski električni aparati ni dovoljeno odlagati skupaj z nerazvrščenimi gospodinjskimi odpadki. Odslužene aparate je treba odlagati ločeno, da omogočite obnovo in recikliranje materialov, iz katerih so izdelani; tako zmanjšate negativni vpliv na okolje in na zdravje ljudi.

Prekrižani znak "smetnjaka" na napravi opozarja na vašo dolžnost, da morate z odsluženo napravo ravnati pravilno in jo predati v ustrezni zbirni center.

Prosimo, da se za informacije glede ravnanja z odsluženo napravo obrnete na lokalno službo za ravnanje s to vrsto odpadkov.

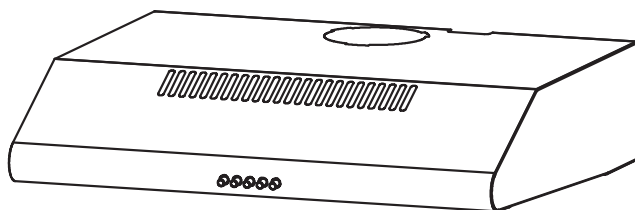
ODPRAVLJANJE NAPAK

Napaka	Vzrok	Rešitev
Lučka sveti, vendar motor ne deluje	Lopaticice so blokirane.	Preverite lopaticice.
	Kondenzator je poškodovan.	Zamenjajte kondenzator.
	Motor je poškodovan.	Zamenjajte motor.
	Notranja žična napeljava motorja je prerezana/odklopljena. Napa lahko oddaja neprijeten vonj.	Zamenjajte motor.
Lučka in motor ne delujeta	Poleg zgornjega preverite še naslednje:	
	Poškodovana lučka.	Zamenjajte lučko.
	Električni kabel izklopljen.	Povežite napeljavo v skladu z električno shemo.
Puščanje olja	Izstop in vstop za prezračevalni zrak nista ustrezno zatesnjena.	Snemite izstop in zatesnite z lepilom.
Vibracija	Če je lopatica poškodovana, lahko povzroča vibracije.	Zamenjajte lopatico.
	Motor ni dobro pritrjen.	Trdno pritrdite motor.
	Napa ni trdno pritrjena.	Trdno pritrdite napa.
Prešibko sesanje	Razdalja med napa in zgornjo stranjo kuhalnika je prevelika.	Prilagodite razdaljo.
	Premočno prezračevanje zaradi odprtih oken ali vrat.	Izberite nov prostor za namestitev ali zaprite vrata/okna.
Napa je nagnjena	Fiksirni vijaki niso dovolj trdni.	Privijte fiksne vijake, tako da bo napa vodoravna.
	Vijaki za obešanje nape niso dovolj trdno priviti	Privijte vijake ter poravnajte napa v horizontalni smeri



HRV

TRD6F49IX
TRD6F49W




KUHINJSKA NAPA

UPUTE ZA UPORABU

Pažljivo pročitajte ove upute prije uporabe.

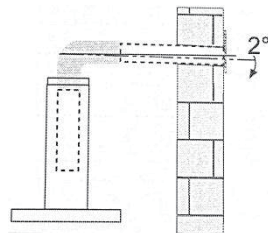
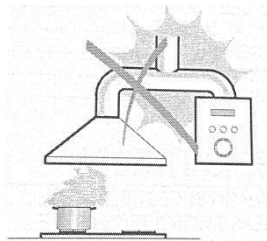
Slike u ovom priručniku služe samo kao referenca, prevladava proizvod u naravi.

PREPORUKE I SAVJETI

 Upute za uporabu odnose se na više modela. Zbog toga se može dogoditi da opisi i ilustracije ne odgovaraju u potpunosti vašem modelu uređaja.

INSTALACIJA

- Proizvođač neće snositi odgovornost za štete nastale uslijed nepravilne ili neprimjerene ugradnje.
- Minimalan sigurnosni razmak između površine ploče za kuhanje i nape je 650 mm (neke modele je moguće ugraditi i na manjoj visini - pogledajte odjeljke o dimenzijama i ugradnji).
- Provjerite odgovara li napon električne mreže podacima označenim na pločici s unutrašnje strane nape.
- Za uređaje klase I provjerite jesu li kućne električne instalacije spojene na uzemljenje.
- Napu spojite na ventilacijski sustav s cijevima promjera najmanje 120 mm. Cijev mora biti što je moguće kraća.
- Nemojte spajati napu na dimnjake kotlova, kamina i sl., koji služe za odvod dima nastalog uslijed sagorijevanja.
- Ukoliko u prostoriji koristite napu i uređaje koji se ne napajaju električnom energijom (primjerice uređaji na plin), potrebno je osigurati dovoljno prozračivanje prostora. Na ovaj način će se spriječiti vraćanje ispuštenog plina. Kuhinja mora imati otvor za direktan ulaz čistog zraka izvana. Kad se kuhinjska napa koristi zajedno s uređajima koji koriste vrstu energije različitu od električne, podtlak u prostoriji ne smije prelaziti 0,04 mbara kako bi se spriječilo uvlačenje isparina napom natrag u prostoriju.
- U slučaju oštećenja kabela napajanja, kabel treba zamijeniti ovlašteni serviser kako bi se spriječili eventualni rizici.
- Ako je u uputama za ugradnju plinske ploče za kuhanje navedena veća gore navedena udaljenost, to treba uzeti u obzir. Moraju se ispuniti propisi koji se odnose na ispuštanje zraka.




UPORABA

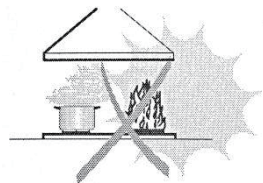
- Napa je proizvedena isključivo za uporabu u kućanstvima, za uklanjanje neugodnih mirisa iz kuhinje.
- Nikada nemojte koristiti napu u druge svrhe osim one za koju je dizajnirana.
- Nikada ne ostavljajte jak otvoreni plamen ispod nape dok je u radu.
- Podesite jačinu plamena tako da bude usmjeren samo na dno posude, pazeci da ne zahvati stranice.
- Budite oprezni tijekom prženja u ulju: pregrijano ulje može se zapaliti.
- Ne flambirajte ispod otvorene nape; opasnost od požara.
- Ovaj uređaj mogu koristiti djeca starija od 8 godina i osobe sa smanjenim fizičkim, osjetilnim ili mentalnim sposobnostima ili nedostatkom iskustva i znanja ako su pod nadzorom ili su dobili upute u vezi s korištenjem uređaja na siguran način i razumiju uključene opasnosti.
- Djecu treba nadzirati kako se ne bi igrala s uređajem.
- Djeca moraju biti pod nadzorom kako se ne bi igrala uređajem.
- "OPREZ: Dostupni dijelovi mogu se jako zagrijati pri uporabi uz kuhinjske uređaje."

ODRŽAVANJE

- Prije izvođenja postupaka održavanja isključite napu izvlačenjem utikača^a strujnog kabela iz zidne utičnice ili isključenjem glavne sklopke.
- Očistite i/ili zamijenite filtre nakon navedenog vremenskog razdoblja (opasnost od požara).
- Površine nape brišite krpom navlaženom neutralnim deterdžentom.
- Uređaj koristi najviše 4 elementa ploče za kuhanje.



Simbol  na pakiranju označava da se ovaj proizvod ne smije tretirati kao kućni otpad. Umjesto toga treba ga predati na odgovarajuće sabirno mjesto za recikliranje električne i elektroničke opreme. Osiguravanjem pravilnog zbrinjavanja ovog proizvoda pomoći ćete u sprječavanju mogućih negativnih posljedica za okoliš i ljudsko zdravlje, koje bi inače mogle biti uzrokovane neprikladnim zbrinjavanjem ovog proizvoda. Za detaljnije informacije o recikliranju ovog proizvoda obratite se lokalnoj gradskoj upravi, službi za zbrinjavanje kućnog otpada ili trgovini u kojoj ste kupili proizvod.



GLAVNI PARAMETRI

Nazivni napon i frekvencija: 220-240V~ 50/60Hz

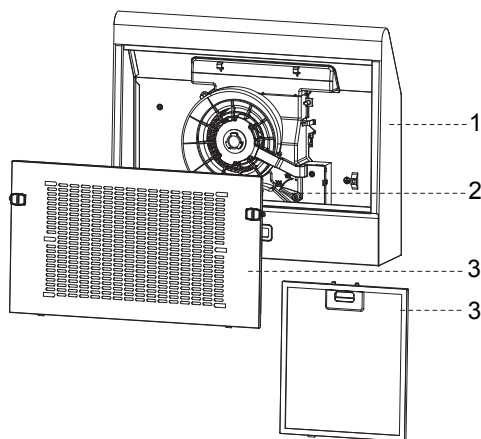
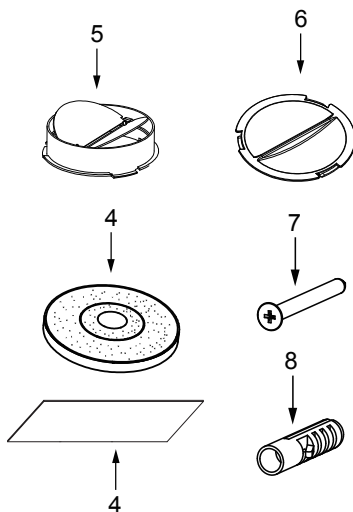
Ulazna snaga motora: 38 W

U određenim okolnostima električni uređaj može predstavljati opasnost.

SASTAVNI DIJELOVI

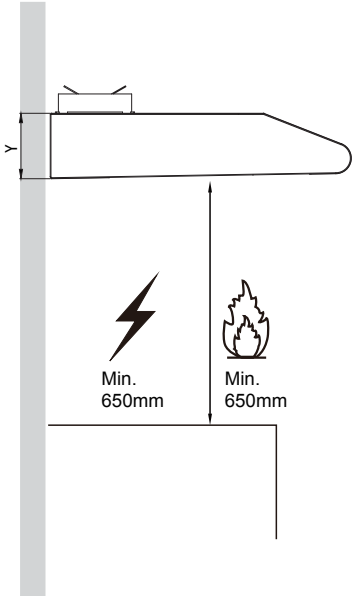
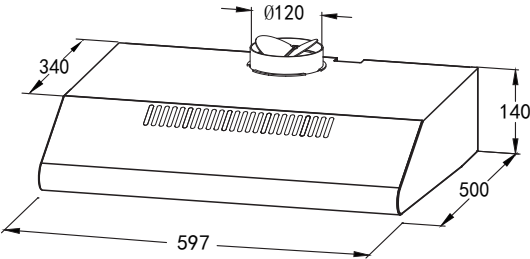
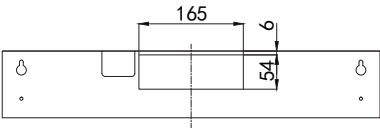
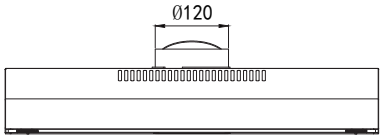
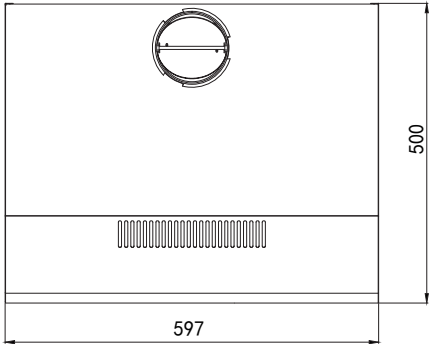
Br.	Kol.	Dijelovi proizvoda
1	1	Tijelo nape
2	1	Gumb za ventilaciju
3	1	Sklop filtera (opcionalno 2 ili 3)

Br.	Kol.	Dijelovi za ugradnju
4	1	Ugljeni filter (opcionalno)
5	1	Kontrolni ventil
6	1	Kapica za izlaz zraka
7	4	Vijci 5mm x 49mm
8	4	Plastične zidne tiple



DIMENZIJE

jedinica: mm

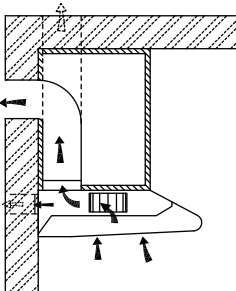


UGRADNJA

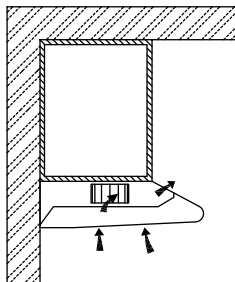
BUŠENJE ZIDA I UČVRŠĆIVANJE NOSAČA

- Pažljivo pročitajte upute.
- Raspakirajte napu i provjerite rade li sve funkcije. Uvjerite se da napon (V) i frekvencija (Hz) navedeni na serijskoj pločici odgovaraju naponu i frekvenciji na mjestu postavljanja.
- Provjerite je li područje iza površine za ugradnju koju treba bušiti čisto od električnih kabela ili cijevi itd.
- Površine od nehrđajućeg čelika i stakla nadstrešnice vrlo se lako oštećuju tijekom postavljanja ako se okrznu ili udare alatom. Vodite računa o zaštiti površina tijekom postavljanja.
- Donju površinu ploče za kuhanje zaštitite kartonom ili sličnim materijalom kako biste spriječili oštećenje tijekom postavljanja nape.
- Proizvođač nije odgovoran za nepoštivanje svih važećih sigurnosnih propisa za ispravan i normalan rad električnih dijelova.

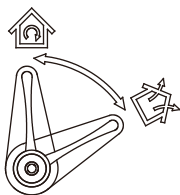
Odaberite način ventilacije:





Način ekstrakcije zraka



Način recirkulacije

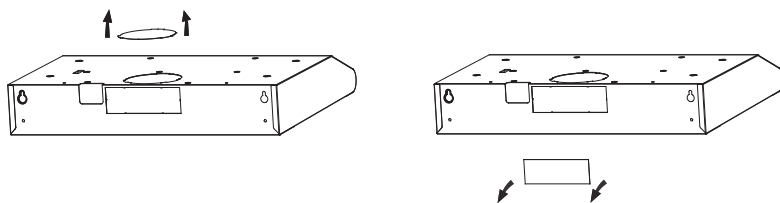


Položaj gumba za ventilaciju

	Način rada u isisnoj verziji: okretanje gumba za odzračivanje ovdje znači odzračivanje izvana.
	Način rada s cirkulirajućim zrakom: Okretanje gumba za odzračivanje ovdje znači recirkulaciju

Informacija

- Potrebno je dovoljno zraka za pravilno izgaranje i ispuštanje plinova kroz dimnjak (dimnjak) opreme za izgaranje goriva kako bi se spriječilo povratno propuhivanje. Ventilatori bez kanala uvijek moraju biti odzračeni prema van.
- Kod procjene tlaka zraka mora se uzeti u obzir cjelokupni ventilacijski sustav u kući/ stanu, npr. kod ploča za kuhanje i/ili plinskih štednjaka, ovo pravilo ne vrijedi.
- Moraju se poštovati državni propisi za prijenos ispušnog zraka. Ako se napa koristi u načinu rada s cirkulacijom zraka s filtrom s aktivnim ugljenom, nema ograničenja u radu.
- Ako odaberete način rada ekstrakcije zraka, postoje dvije metode ventilacije, uključujući "horizontalnu ventilaciju" i "vertikalnu ventilaciju". Koristite alat prije upotrebe skinite poklopac i postavite povratni ventil na rupu.
- Četvrtasti nepovratni ventil za vodoravnu ventilaciju nije isporučen.



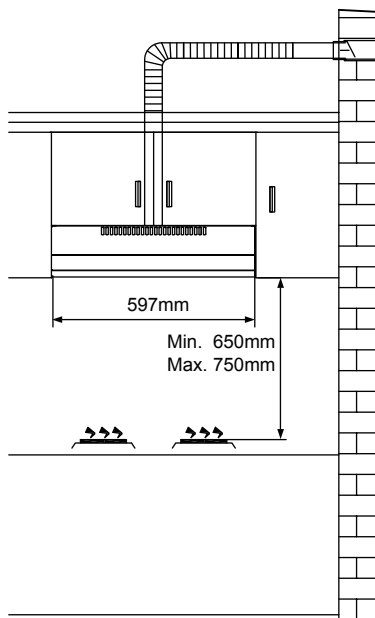
Pripremite se za instalaciju:

Provjerite je li struja isključena prije početka ove instalacije. Utikač mora biti montiran na mjestima koja se lako povlače i umeću.

Za postavljanje ove nape trebat će vam dva pomoćnika. Za dovršetak ove instalacije trebat će vam sljedeći alati i materijali.

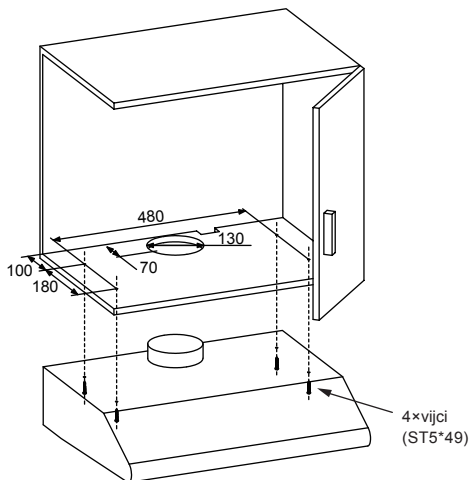
Alati koji će vam trebati:

- Bušilica koja odgovara vašem zidu
 - Phillips odvijač
 - Mjerna traka
 - Ručna pila ili ubodna pila
-
- Instalacijske radove i električno ožičenje mora izvesti kvalificirana(e) osoba(e) u skladu sa svim važećim kodeksima i standardima, uključujući konstrukciju otpornu na vatru.
-
- Ne ispuštajte ispušni zrak u dimnjak iz drugih uređaja koji koriste plin ili druga goriva.
-
- Moraju se ispuniti propisi koji se odnose na ispuštanje zraka.
-
- Kuhinjska napa mora biti postavljena na minimalnoj udaljenosti od 65 cm iznad površine ploče za kuhanje.
-
- Kuhinjska napa mora biti postavljena na maksimalnoj udaljenosti od 75 cm iznad površine ploče za kuhanje.



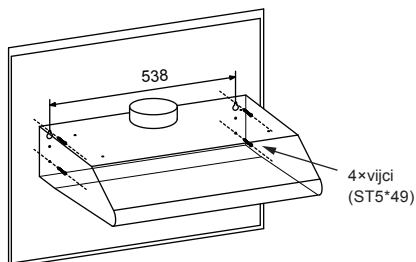
MONTAŽA ORMARIĆA

- Izbušite rupe promjera 130 mm i četiri rupe promjera 3,5 mm kao na slici ispod.
- **PAŽNJA:** Ako vaša kuhinjska napa radi u režimu kruženja zraka, nije potrebno bušiti rupu promjera 130 mm.
- Pomoću 4 vijka pričvrstite kuhinjsku napu na kuhinjski ormarić. Provjerite jesu li vaši pričvršćivači ispravno postavljeni privremenim postavljanjem kuhinjske nape. Ako je ispravno, namjestite napu na mjesto. Zategnite vijke ako je potrebno.



ZIDNA MONTAŽA

- Za montažu na zid izbušite dvije rupe promjera 10 mm 538 mm s otvorom za ventilaciju na vrhu kuhinjske nape u sredini kao na slici ispod. Pobrinite se da je napa poravnata izravno iznad ploče za kuhanje.
- Umetnite dva plastična zidna tipla (isporučena) u rupe.
- Umetnite dva vijka u gornja dva plastična tipla i zategnite ih tako da 3 mm vire iz zida.
- Kuhinjsku napu montirajte na dva vijka i označite dva donja mjesta za vijke.
- Uklonite poklopac i izbušite donje dvije rupe za vijke i umetnite plastične tiplje.
- Postavite poklopac na gornje vijke, umetnite donje vijke i potpuno zategnite sve vijke.





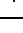


Informacija

Zrak se ne smije ispuštati u dimnjak koji se koristi za odvod dima iz uređaja koji koriste plin ili druga goriva.

RUKOVANJE

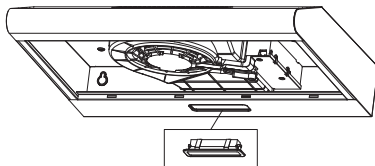
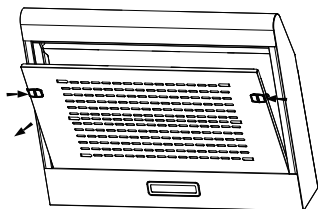



	PREKIDAČ ZA ISKLJUČIVANJE MOTORA: Pritisnite ovaj prekidač za zaustavljanje rada motora.
	PREKIDAČ BRZINE: Pritisnite ovaj prekidač, motor radi NISKOM brzinom.
	PREKIDAČ BRZINE: Pritisnite ovaj prekidač, motor radi SREDNJOM brzinom.
	PREKIDAČ BRZINE: Pritisnite ovaj prekidač, motor radi VELIKOM brzinom.
	PREKIDAČ ZA UKLJUČIVANJE/ISKLJUČIVANJE SVJETLA: Pritisnite ovaj prekidač da biste uključili svjetla, i pritisnite ga ponovo da biste ih ugasili.

RASVJETA

ZAMJENA ŽARULJE

- Isključite napu i izolirajte je izvlačenjem mrežnog utikača ili isključivanjem osigurača.
- Uklonite filter za masnoću.
- Uklonite svjetlo tako da polugom povučete njegov priključak s kućišta nape (to može zahtijevati pritisak ili silu koju treba primijeniti).
- Odspojite konektor svjetla.
- Zamijenite svjetiljku novom iste vrste, pazite da ste pravilno spojili svjetlo sa kabelom za rasvjetu.
- Ponovno uključite struju umetanjem mrežnog utikača ili uključivanjem osigurača.



	Maks. snaga	Napon	Slika	Pokopac svjetla	ILCOS D kod
LED moduli s vlastitim balastom	1.5W	220V-240V	 Kvadrat/promjer:33,2mmx120mm	/	DBS-1.5-H-33.2/120

ČIŠĆENJE I ODRŽAVANJE

Isključite kuhinjsku napu iz napajanja prije čišćenja ili servisiranja.

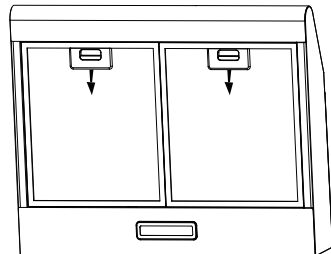
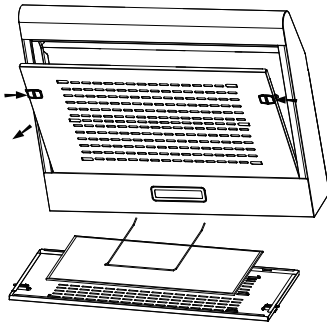
- Često čistite površinu nape. Koristite blagi sapun ili deterdžent za čišćenje nape.
- Nemojte koristiti jake lužine ili abrazive.
- Izbjegavajte korištenje sredstava za ribanje ili sredstava za pranje posuđa.
- Filtar za masnoću može se prati blagim sapunom ili deterdžentom. (Jako nakupljanje masnoće možda se neće lako očistiti i filter može zahtijevati zamjenu).
- Ugljeni filter se ne može čistiti i mora se redovito mijenjati.

Informacija

Voda za čišćenje ne smije dospjeti u motor, upravljački prekidač i ostale električne dijelove.

Preporučuje se čišćenje metalnog filtra svaka tri mjeseca prema sljedećim uputama:

- Uklonite metalni filter s kuhinjske nape i operite ga u otopini vode i neutralnog tekućeg deterdženta, ostavite da se natopi.
- Temeljito isperite toplom vodom i ostavite da se osuši.
- Metalni filter može promijeniti boju nakon nekoliko pranja. Ovo nije razlog za pritužbu kupca ili zamjenu metalnog filtra.

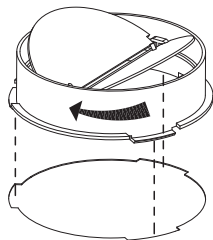


Informacija

Postoji opasnost od požara ako se čišćenje ne provodi u skladu s uputama.

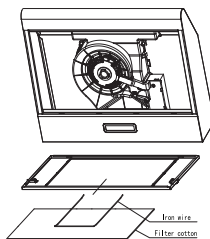
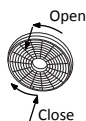
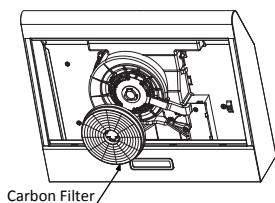
UGRADNJA KONTROLNOG VENTILA

Rukama držite kontrolni ventil, poravnajte razmak kutije, stavite kontrolni ventil, a zatim ga okrećite pod određenim kutom dok se tri kuta ventila ne zaglave. Instalacija je dovršena. Tip pričvršćivanja za vanjske vodilice zraka i kontrolni ventil mora biti u skladu sa zahtjevima standarda IEC/EN 60335-1.



UGRADNJA UGLJENOG FILTRA

- Uklonite filter za masnoću i uklonite željeznu žicu.
 - Filtarska vata nalazi se na metalnoj mrežici i pričvršćena željeznom žicom.
 - Zamijenite novu vatu filtera, primijenite obrnuti postupak za ponovnu ugradnju.
- Upozorenje:** filter pamuk se ne može prati niti reciklirati. Treba ga zamijeniti nakon otprilike 2-3 mjeseca korištenja.
- Napomena:** Filtarska vata se ne isporučuje uz vaš uređaj (opcija).



ODLAGANJE



Europska Direktiva 2012/19/EU o otpadnoj električnoj i elektroničkoj opremi (WEEE) zahtijeva da se stari električni kućanski uređaji ne smiju odlagati u uobičajeni nerazvrstani gradski otpad. Stari uređaji moraju se prikupljati odvojeno kako bi se optimizirala uporaba i recikliranje materijala koje sadrže i smanjio utjecaj na ljudsko zdravlje i okoliš. Simbol prekržižene "kante za otpad" na proizvodu podsjeća vas na vašu obvezu da kada želite zbrinuti uređaj, mora se skupljati odvojeno. Potrošači bi se trebali obratiti svojim lokalnim vlastima ili trgovcu za informacije o pravilnom odlaganju svojih starih uređaja.

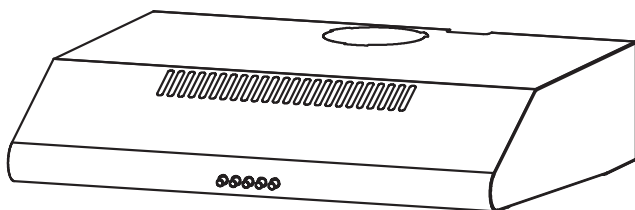
RJEŠAVANJE PROBLEMA

Kvar	Uzrok	Rješenje
Svetlo je uključeno, ali motor ne radi	Oštrice su blokirane.	Provjerite oštrice.
	Kondenzator je oštećen.	Zamijenite kondenzator.
	Motor je oštećen.	Zamijenite motor.
	Unutarnje ožičenje motora je prekinuto/odspojeno. Može se pojaviti neugodan miris.	Zamijenite motor.
Ne rade ni svjetlo ni motor	Osim navedenog, provjerite sljedeće:	
	Žarulja je oštećena.	Zamijenite žarulju.
	Kabel za napajanje je labav.	Spojite žice prema električnoj shemi.
Curenje ulja	Izlaz i ulaz za ventilaciju zraka nisu pravilno zabrtvljeni.	Skinite odvodno crijevo i zalijepite ga ljepilom.
Vibriranje	Oštrica, ako je oštećena, može uzrokovati vibracije.	Zamijenite oštricu.
	Motor nije čvrsto pričvršćen.	Pričvrstite motor.
	Napa nije dobro pričvršćena.	Pričvrstite napu.
Slabo usisavanje	Udaljenost između nape i ploče za kuhanje je prevelika.	Podesite udaljenost.
	Previše ventilacije kroz otvorena vrata ili prozore.	Odaberite novo mjesto za instaliranje uređaja ili zatvorite neka vrata/prozore.
Uređaj se naginje	Vijci za pričvršćivanje nisu dovoljno zategnuti.	Zategnite pričvršni vijak i postavite ga vodoravno.
	Viseći vijci nisu dovoljno zategnuti.	Zategnite viseći vijak i postavite ga vodoravno.



MKD

TRD6F49IX
TRD6F49W




АСПИРАТОР

УПАТСТВО ЗА УПОТРЕБА

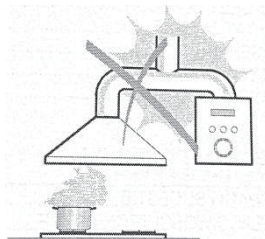
Внимателно прочитајте го ова упатство пред работа со уредот
Сликите во ова упатство се само за референца, преовладува
реалниот изглед на производот.

ПРЕПОРАКИ И ПРЕДЛОЗИ

 Упатствата за употреба се однесуваат на неколку верзии на овој апарат. Сепак може да најдете опис на посебни карактеристики кои не се однесуваат на овој апарат.

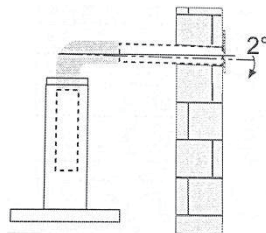
МОНТИРАЊЕ

- Произведувачот не носи одговорност за штета направена од неправилно и несоодветно монтирање.
- Минималното безбедно растојание меѓу горната површина на шпоретот и аспираторот е 650 мм. (некои модели може да се наместат на пониска висина, проверете во делот за работни димензии и монтирање).
- Проверете дали напонот на струјата одговара на оној кој е назначен на плочата која е фиксирана на внатрешната страна на аспираторот.
- За уредите од Класа I, проверете дали електричното снабдување гарантира соодветно заземјување.
- Поврзете го аспираторот со одводот преку цевка со минимум дијаметар од 120 мм. Патот на одводот мора да биде најкраток колку што е можно.
- Не поврзувајте го аспираторот со одводниот дел (цевка) кои носат гасови на согорување (бојлери, камини итн.)
- Ако аспираторот се користи со не-електрични апарати (пр. апарати на гас), мора да се обезбеди доволно проветрување во просторијата за да се спречи враќање на издувниот гас. Во кујната мора да има прозорец преку кој постојано ќе се врши проветрување. Кога аспираторот се користи со апарати кои се снабдуваат со енергија која не е електрична, негативниот притисок во просторијата не смее да надмине 0,04 мбар да се спречат гасовите да не се повратат во просторијата од аспираторот.
- Во случај на оштетување на напојниот кабел, мора да се замени од страна на производителот или овластен сервис за да не дојде до ризик од опасност
- Ако упатството за монтажа на плочата за готвење на гас одредува поголемо растојание наведено погоре, тоа треба да се земе предвид. Прописи за испуштање воздух треба да се исполнат.



УПОТРЕБА


- Аспираторот е дизајниран исклучиво за домашна употреба за да се отстранат кујнските мириси.
- Никогаш не употребувајте го за други цели освен за оние за кои е назначен.
- Никогаш не оставајте голем отворен пламен кога аспираторот работи.
- Прилагодете го интензитетот на пламенот да биде само на дното на тавата и внимавајте да не се движат по страните.
- Длабоките тави со масло мора постојано да ги набљудувате додека ги користите: загреаното масло може лесно да избувне во пламен.
- Не фламбирајте под аспираторот; опасност од пожар.
- Овој апарат може да го користат деца на возраст од 8 години и повеќе и лица со намалени физички, сетилни или ментални способности или недостаток на искуство и знаење доколку им се дадени надзор или инструкции за користење на апаратот на безбеден начин и ги разбираат вклучените опасности.
- Децата треба да се надгледуваат за да се осигура дека не си играат со апаратот.
- Чистењето и одржувањето не смеат да го вршат деца без надзор.
- **“ВНИМАНИЕ:** Достапните делови може да се загреат кога се користат со апарати за готвење”.

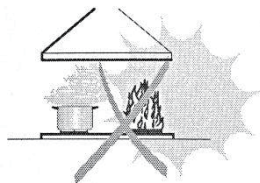


ОДРЖУВАЊЕ

- Исклучете го апаратот од струја кога ќе вршите било какво одржување.
- Исклестете и/или заменете ги филтрите по некој одреден период (опасност од пожар).
- Исклестете го аспираторот со влажна крпа и неутрален течен детергент.
- Апаратот користи најмногу 4 елементи за готвење.



Симболот  на пакување покажува дека овој производ не може да се третира како домашен отпад. Наместо тоа, ќе се предаде на соодветното собирачко место за рециклирање на електрична и електронска опрема. Со обезбедување на правилно отстранување на овој производ, ќе помогнете да се спречат потенцијалните негативни последици по животната средина и здравјето на луѓето, кои инаку би можеле да бидат предизвикани од несоодветно постапување со отпадот на овој производ. За подетални информации за рециклирање на овој производ, ве молиме контактирајте ја локалната градска канцеларија, службата за отстранување на отпадот од домаќинството или продавницата каде што сте го купиле производот.



ГЛАВНИ ПАРАМЕТРИ

Номинален напон и фреквенција 220-240V~ 50/60Hz

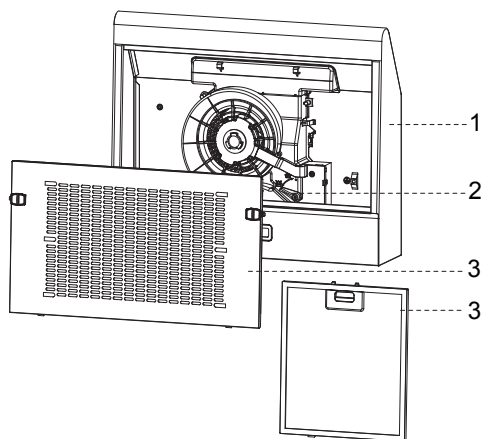
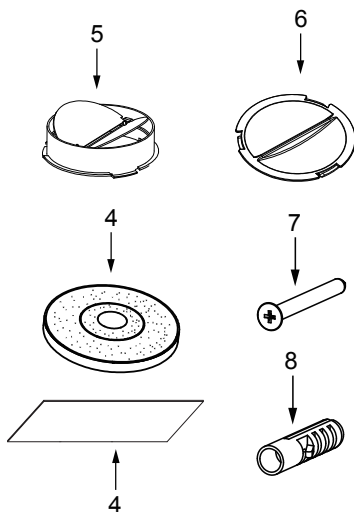
Влезна моќност на моторот: 38 W

Во одредени околности, електричниот апарат може да биде опасна опасност.

КОМПОНЕНТИ

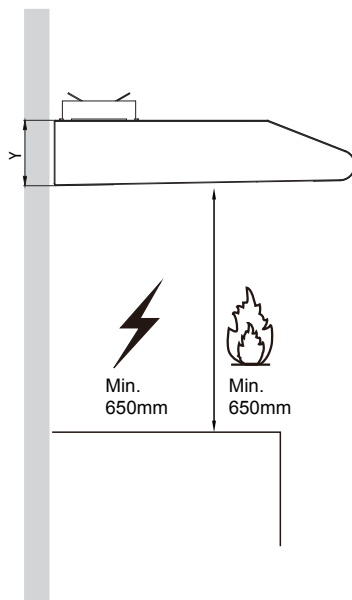
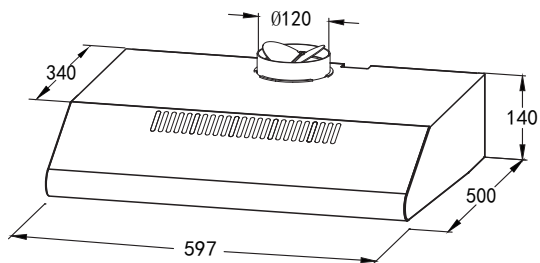
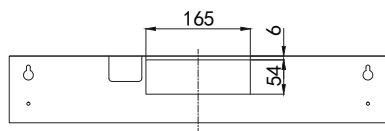
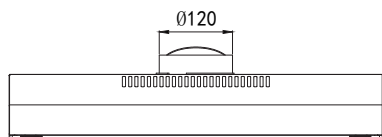
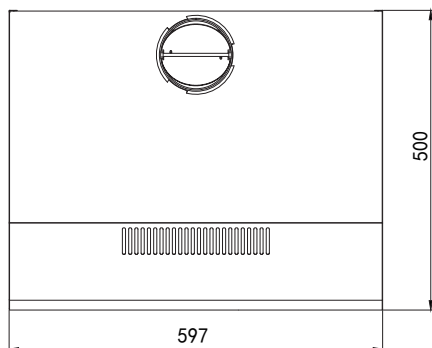
Бр.	Кол.	Компоненти на производот
1	1	Главното тело
2	1	Копче за вентилација
3	1	Склоп на филтери (опционално 2 или 3)

Бр.	Кол.	Компонентни за монтирањето
4	1	Јаглороден филтер (опционално)
5	1	Контролниот вентил
6	1	Капаче за излез на воздух
7	4	Навртки 5mm x 49mm
8	4	Пластични сидни типли



ДИМЕНЗИИ

единица: mm

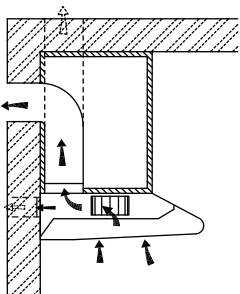


ИНСТАЛАЦИЈА

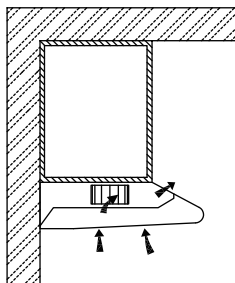
ДУПЧЕЊЕ ВО СИДОТ И ФИКСИРАЊЕ НА ДРЖАЧИТЕ

- Ве молиме внимателно прочитајте ги упатствата.
- Отпакувајте го аспираторот и проверете дали функционираат сите функции. Погрижете се напонот (V) и фреквенцијата (Hz) наведени на сервиската плоча да одговараат на напонот и фреквенцијата на местото на инсталација.
- Проверете дали областа зад површината за инсталација што треба да се дупчи е чиста од електрични кабли или цевки, итн
- Површините од нерѓосувачки челик и стакло на настрешницата многу лесно се оштетуваат при монтажата ако се напасуваат или тропаат од алат. Ве молиме внимавајте да ги заштитите површините за време на инсталацијата.
- Заштитете ја површината на плочата долу со картон или слично, за да спречите оштетување додека ѕидната покривка се поставува горе.
- Производителот нема да биде одговорен за непочитување на сите безбедносни прописи кои се во сила за правилно и нормално функционирање на електричните делови.

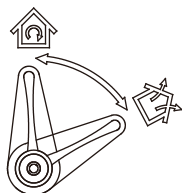
Изберете режим на вентилација:



Режим на извлекување-воздух



Режим на рециркулација

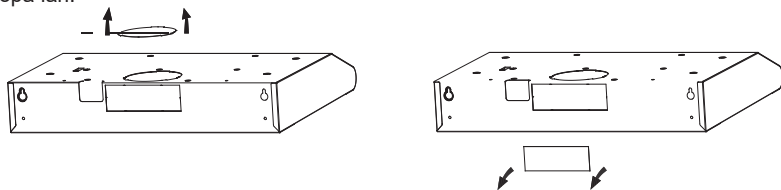


Положба на копчето за вентилација

	Режим на извлекување-воздух: Вртењето на копчето за вентилација овде значи проветрување надвор
	Режим на циркулирачки воздух: Вртењето на копчето за вентилација овде значи рециркулација

Информација

- Потребен е доволен воздух за правилно согорување и исцрпување на гасовите низ каналот (оџакот) на опремата за горење гориво за да се спречи исцрпување назад. Вентилаторите без канал мора секогаш да се отвораат на отворено.
- При проценка на притисокот на воздухот мора да се земе предвид целиот систем за вентилација во куќата/станот, на пр. за рингла и/или шпорет на гас, ова правило не важи.
- Мора да се почитуваат владините прописи за пренесување на издвниот воздух. Ако аспираторот се користи во режим на циркулирачки воздух со филтер со активен јаглен, нема ограничувања за работа.
- Ако изберете режим на извлекување-воздух, постојат два методи за вентилација, вклучувајќи „хоризонтална вентилација“ и „вертикална вентилација“. Ве молиме користете алатка извадете го капакот пред да го користите и инсталирајте го вентилот за проверка на дупката..
- Квадратниот вентил за проветрување на воздухот за хоризонтална вентилација не е испорачан.



Подгответе ја инсталацијата

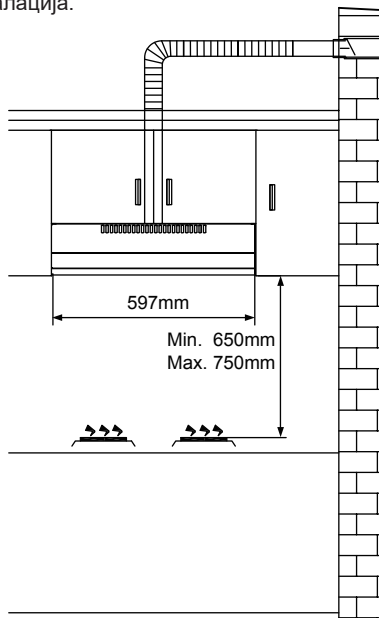
Уверете се дека напојувањето е исклучено пред да започнете со оваа инсталација.

Приклучокот мора да се состави на место лесно за влечење и вметнување.

За да го инсталирате овој аспиратор ќе ви требаат двајца асистенти. Ќе ви требаат следниве алатки и материјал за да ја завршите оваа инсталација.

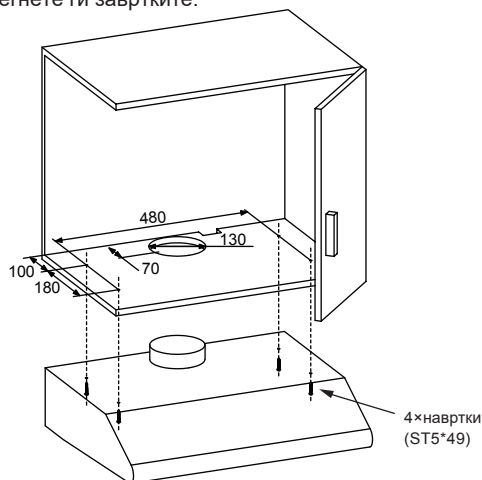
Алатки што ќе ви требаат:

- Дупчалка соодветна на вашиот ѕид
- Шрафцигер Филипс
- Лента со мерка
- Рачна пила или слојувалка
- Инсталациските работи и електричните жици мора да ги вршат квалификувани лица во согласност со сите применливи шифри и стандарди, вклучително и огнена конструкција.
- Не испуштајте го издвниот воздух во канал од други апарати кои согоруваат гас или други горива.
- Треба да се почитуваат прописите за испуштање воздух.
- Аспираторот мора да биде поставен на минимално растојание од 65 cm над површината за готвење.
- Аспираторот мора да биде поставен на максимално растојание од 75 cm над површината за готвење.



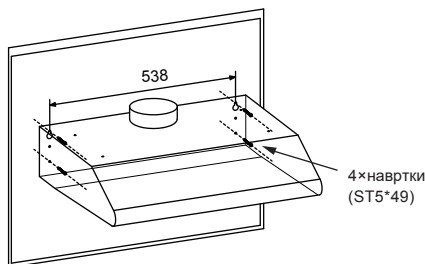
ПОСТАВУВАЊЕ НА КАБИНЕТ

- Дупчете дупка со дијаметар од 130 mm и четири отвори со дијаметар од 3,5 mm како на сликата подолу.
- **ВНИМАНИЕ:** Ако вашиот аспиратор работи во режим на циркулирачки воздух, не е потребно да дупчите дупка со дијаметар од 130 mm.
- Користете ги 4-те завртки за да го прицврстите аспираторот на кујнскиот шкаф. Проверете дали вашите прицврстувања се правилно поставени, со привремено монтирање на аспираторот. Ако е точно, наместете ја единицата во позиција. Доколку е потребно, затегнете ги завртките.



ПОСТАВУВАЊЕ НА СИД

- За монтирање на сид, издупчете две отвори со дијаметар од 10 mm 538 mm со отворот за вентилација на горниот дел од аспираторот во средината како на сликата подолу. Проверете дали аспираторот е порамнет директно над плочата за готвење.
- Вметнете два пластични сидни типли (испорачани) во дупките.
- Вметнете две завртки во горните два пластични сидни приклучоци и затегнете ги оставајќи 3 mm испакнати од сидот.
- Монтирајте го аспираторот на двете навртки и означете ги долните две позиции на навртките
- Отстранете го уредот и издупчете ги долните две дупки за навртките и вметнете ги пластичните сидни типли
- Монтирајте го аспираторот на горните навртки, вметнете ги долните навртки и целосно затегнете ги сите навртки








Информација

Воздухот не смее да се испушта во канал кој се користи за испуштање на гасови од апарати кои согоруваат гас или други горива.

УПОТРЕБА

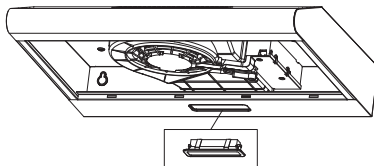
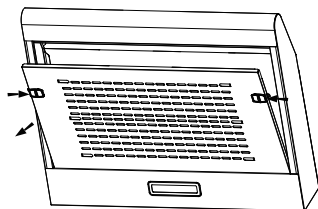



	ИСКЛУЧУВАЊЕ НА МОТОРОТ: Притиснете го овој прекинувач за да ја прекинете работата на моторот.
	ПРЕКИНУВАЧ ЗА БРЗИНА: Притиснете на овој прекинувач, моторот работи со НИСКА брзина.
	ПРЕКИНУВАЧ ЗА БРЗИНА: Притиснете на овој прекинувач, моторот работи со СРЕДНА брзина.
	ПРЕКИНУВАЧ ЗА БРЗИНА: Притиснете на овој прекинувач, моторот работи со ВИСОКА брзина.
	ВКЛУЧУВАЊЕ И ИСКЛУЧУВАЊЕ НА СВЕТЛОТО: Притиснете го овој прекинувач за да ги вклучите светлата и притиснете повторно за да ги исклучите.

ОСВЕТЛУВАЊЕ

ЗАМЕНУВАЊЕ НА СВЕТЛОТО

- Исклучете го аспираторот и изолирајте го аспираторот со извлекување на приклучокот за струја или исклучување на осигурувачот.
- Отстранете го филтерот за маснотии.
- Отстранете ја светилката така да је извлечете од кукиштето на уредот (за ова може да биде потребно да се примени притисок или сила).
- Исклучете го приклучокот на светилката.
- Заменете го светлото со ново од ист тип, внимавајќи правилно да го поврзете светлото со кабелот за светло.
- Повторно приклучете го напојувањето со вметнување на приклучокот за струја или со вклучување на осигурувачот.



	Најгол. моќ	Напојување	Слика	Капак на светилка	ILCOS D код
LED модулите	1.5W	220V-240V	 Квадрат/дијаметар:33.2mmx120mm	/	DBS-1.5- H-33.2/120

ЧИСТЕЊЕ И ОДРЖУВАЊЕ

Исклучете го аспираторот од напојувањето пред да го чистите или сервисирате.

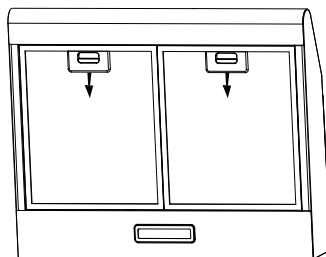
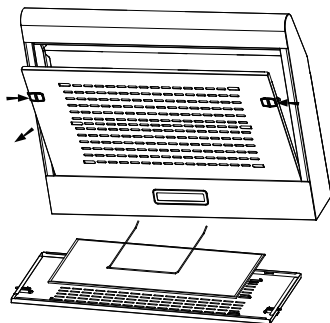
- Често чистете ја површината на аспираторот. Користете благ сапун или детергент за чистење на аспираторот.
- Не користете груби алкалии или абразиви.
- Избегнувајте употреба на средства за чистење или соединенија за миење садови.
- Филтерот за маснотии може да се мие со благ сапун или детергент. (Тешко таложење на маснотии може да не се чисти лесно и филтерот може да бара замена).
- Јаглороден филтер не може да се чисти и мора редовно да се заменува.

Информација

Водата за чистење не смее да навлегува во електричните делови на моторот, контролниот прекинувач итн.

Препорачливо е да го чистите металниот филтер на секои три месеци следејќи ги следните упатства:

- Извадете го металниот филтер од аспираторот и измијте го во раствор од вода и неутрален течен детергент, оставајќи да кисне.
- Исплакнете темелно со топла вода и оставете да се исуши.
- Металниот филтер може да ја промени бојата по неколку миења. Ова не е причина за поплаки на клиентите или замена на металниот филтер.

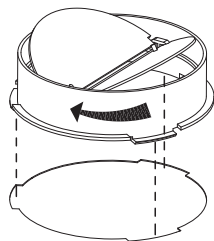


Информација

Постои ризик од пожар доколку чистењето не се изврши во согласност со упатствата.

ПОСТАВУВАЊЕ НА ПРОВЕРНИ ВЕНТИЛ

Држете го обратниот вентил со рацете, порамнете ја празнината на кутијата, ставете го обратниот вентил и потоа завртете до одреден агол додека не се заглават три агли на вентилот. Инсталирањето е завршено. Типот на прицврстување за надворешни водилки за воздух и обратен вентил треба да одговара на барањето на стандардот IEC/EN 60335-1.

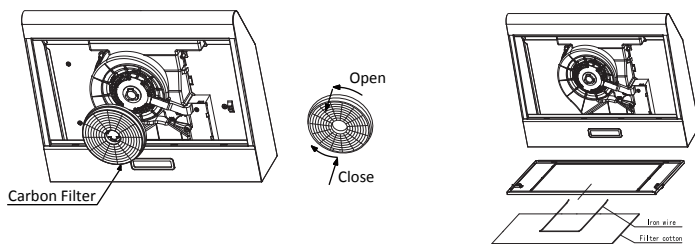


ИНСТАЛИРАЊЕ НА ЈАГЛЕН ФИЛТЕРОТ

- Отстранете го филтерот за маснотии и извадете ја железната жица.
- Памукот за филтер се наоѓа на металната мрежа и е фиксиран со железна жица.
- Заменете нов памук, применете обратна постапка за повторно инсталирање.

Предупредување: Памук за филтер не може да се мие или рециклира. Треба да се замени по приближно 2-3 месеци употреба.

Забелешка: Јаглерод филтер не се испорачува со вашиот апарат (опционално).



ОТСТРАНУВАЊЕ НА УРЕДОТ



Европската директива 2012/19/EУ за отпадна електрична и електронска опрема (ОЕЕЕ) бара старите електрични апарати за домаќинство да не се фрлаат во нормалниот несортиран комунален отпад. Старите апарати мора да се собираат посебно за да се оптимизира обновувањето и рециклирањето на материјалите што ги содржат и да се намали влијанието врз здравјето на луѓето и животната средина.

Пречкртаниот симбол „канта со тркала“ на производот ве потсетува на вашата обврска, дека кога го фрлате апаратот, тој мора да се собира посебно.

Потрошувачите треба да контактираат со нивните локални власти или продавач за информации во врска со правилното отстранување на нивниот стар апарат.

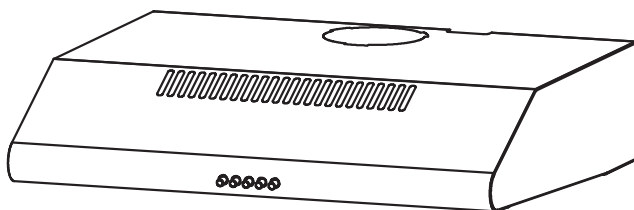
РЕШАВАЊЕ ПРОБЛЕМИ

Проблем	Причина	Решение
Светло е вклучено, но моторот не работи	Сечилата се блокирани.	Заменете ги сечилата.
	Кондензаторот е оштетен.	Заменете го кондензаторот.
	Моторот е оштетен.	Заменете го моторот.
	Внатрешните жици на моторот се отсечени/исклучени. Може да се појави непријатен мирис.	Заменете го моторот.
Не работат и светлото и моторот	Освен горенаведеното, проверете го следново:	
	Оштетена светлина.	Заменете ги светлата.
Истекување на масло	Кабелот за напојување е лабав.	Поврзете ги жиците според електричниот дијаграм.
	Излезот и влезот за вентилација на воздухот не се цврсто затворени.	Извадете го штекерот и запечатете го со лепак.
Вибрации	Истекување од поврзувањето на делот и капакот во форма на буквата U.	Отстранете го делот во форма на буквата U и запечатете со сапун или боја.
	Сечилото, ако е оштетено, може да предизвика вибрации.	Заменете го сечилото.
	Моторот не е цврсто прицврстен.	Прицврстете го моторот.
Недоволно вшмукување	Аспираторот не е цврсто фиксиран.	Цврсто фиксирајте го аспираторот.
	Растојанието помеѓу аспираторот и горниот дел од шпоретот е преголемо.	Повторно прилагодете го растојанието.
Апаратот се наклонува	Премногу вентилација од отворени врати или прозорци.	Изберете ново место за инсталирање на апаратот или затворете некои врати/прозорци.
	Завртките за прицврстување не се доволно затегнати.	Затегнете ја завртката за прицврстување и направете ја хоризонтална.
	Висечките завртки не се доволно затегнати	Затегнете ја висечката завртка и направете ја хоризонтална.



POR

TRD6F49IX
TRD6F49W




EXAUSTOR DE COZINHA

MANUAL DE INSTRUÇÕES

Leia atentamente este manual antes da primeira utilização.

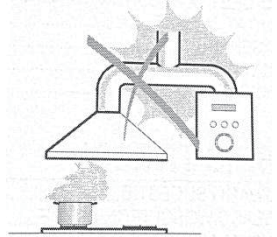
As imagens deste manual servem apenas de referência, não prevalecendo sobre o produto adquirido

RECOMENDAÇÕES E SUGESTÕES

 As instruções de utilização aplicam-se às várias versões deste aparelho. Como tal, poderá encontrar algumas descrições de características particulares que não se aplicam especificamente ao seu aparelho.

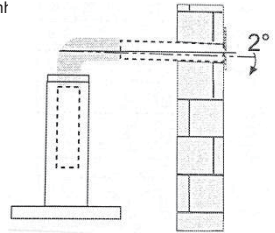
INSTALAÇÃO

- O fabricante não se responsabiliza por quaisquer danos resultantes de uma instalação incorrecta ou inadequada.
- Ligue se a tensão da sua rede doméstica corresponde à indicada na placa técnica afixada no interior do exaustor.
- Para aparelhos da classe I, deve garantir que a sua rede alimentação eléctrica doméstica garante uma adequada ligação terra.
- Ligue o exaustor ao tubo de escape através de um tubo com diâmetro mínimo de 120 mm.
- O trajecto e extensão da chaminé devem ser o mais curto possível.
- Não ligue o exaustor a condutas de exaustão que transportem outros fumos de combustão como caldeiras, lareiras ou aparelhos similares.
- Se as instruções de instalação da placa de fogão a gás indicarem uma distância superior à indicada acima, será essa (a da placa do fogão) que deverá ter em conta.
- Se o cabo de alimentação estiver danificado, deve ser substituído pelo fabricante ou pelo seu agente de assistência técnica ou por um técnico com qualificações semelhantes, de modo a evitar riscos.
- O ar não deve ser descarregado numa chaminé utilizada para a exaustão de fumos de aparelhos a gás ou outros combustíveis (não aplicável a aparelhos que apenas descarregam o ar de volta para a divisão).
- A distância mínima entre superfície de apoio dos recipientes de cozedura da placa de fogão e a parte inferior do exaustor é de 650 mm.
- Os regulamentos e legislação relativos à descarga de ar têm de ser obrigatoriamente cumpridos.



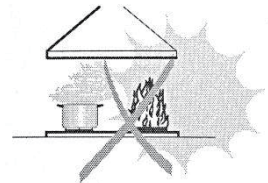
UTILIZAÇÃO


- O exaustor foi concebido exclusivamente para uso doméstico e para eliminar odores de cozinha
- Nunca utilize o exaustor para fins diferentes daqueles para o qual foi concebido.
- Nunca deixe chamas altas e descobertas sob o exaustor quando este estiver ligado.
- Regule a intensidade da chama de modo a direccioná-la apenas para o fundo da fritadeira, certificando -se de que não se espalha para fora da sua base nem para os lados.
- As fritadeiras devem ser constantemente monitorizadas durante a sua utilização dado que o óleo sobreaquecido pode incendiar-se.
- Este aparelho não se destina a ser utilizado por pessoas (incluindo crianças) com capacidades físicas, sensoriais ou mentais reduzidas nem com falta de experiência e conhecimento, a menos que tenham recebido supervisão ou instruções relativas à utilização do aparelho por uma pessoa responsável pela sua segurança.
- As crianças devem ser acompanhadas para garantir que não brincam com o aparelho.
- Deve haver uma ventilação adequada do local sempre que o exaustor for utilizado em simultâneo com outros aparelhos que queimem gás ou outros combustíveis (não aplicável a aparelhos que apenas descarregam o ar para o local).
- Se a limpeza não for efectuada de acordo com as instruções, tal representa um claro risco de incêndio.
- Não acenda nenhuma chama debaixo do exaustor.
- **"ATENÇÃO:** As partes acessíveis podem ficar quentes quando utilizadas com aparelhos de cozinha".



MANUTENÇÃO

- O exaustor e respectivo filtro devem ser limpos regularmente e de acordo com as instruções.
- Desligue e retire a ficha da tomada antes de efectuar qualquer trabalho de manutenção.
- Limpe o exaustor com um pano húmido e um detergente líquido neutro.
- O aparelho utiliza no máximo 4 elementos de placa.



O símbolo  presente na embalagem indica que este produto não pode ser tratado como lixo doméstico e deve ser entregue num ponto de recolha válido para a reciclagem de equipamentos eléctricos e electrónicos. Ao garantir que este produto é eliminado correctamente, está a ajudar a evitar potenciais consequências negativas para o ambiente e para a saúde humana, que poderiam ser causadas por um manuseamento inadequado dos resíduos deste produto. Para obter informações mais detalhadas sobre a reciclagem deste produto, contacte os serviços do seu município, o serviço de recolha e eliminação de resíduos domésticos ou a loja onde adquiriu o produto.

PARÂMETROS PRINCIPAIS

Tensão e frequência nominais 220-240V~50/60Hz

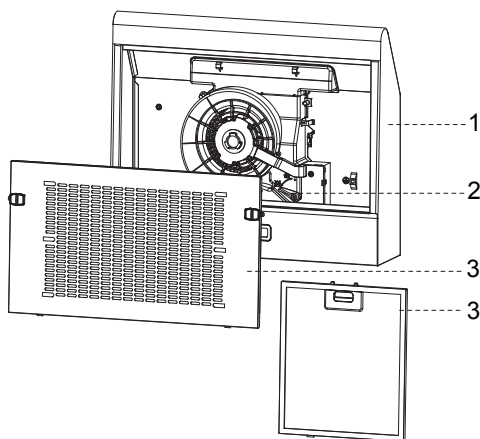
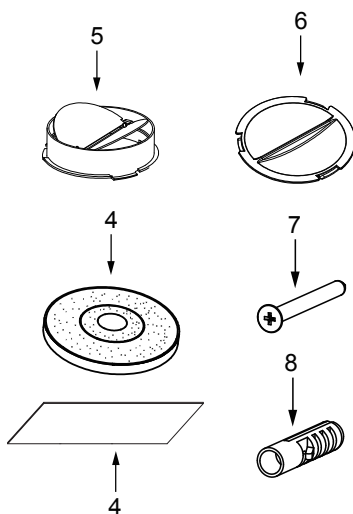
Potência de entrada do motor:38W

Em determinadas circunstâncias o aparelho eléctrico pode constituir um perigo.

COMPONENTES

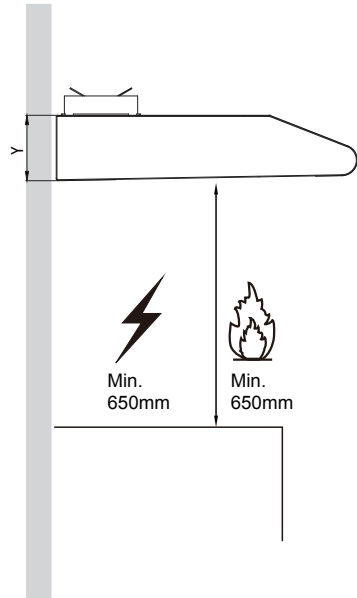
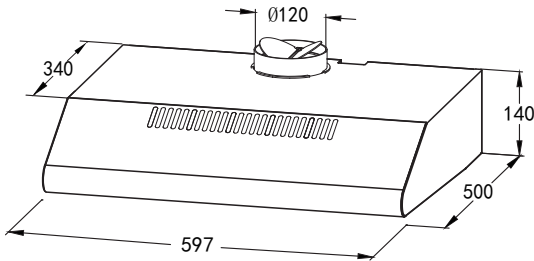
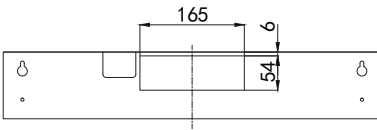
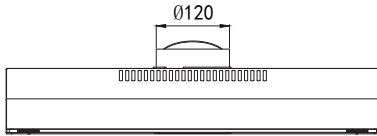
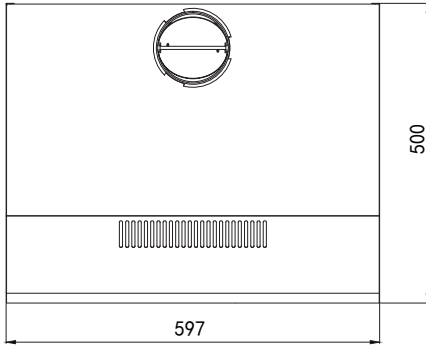
Ref.	Qtd.	Componentes de produto
1	1	Corpo principal
2	1	Botão de ventilação
3	1	Conjunto de filtros (opcional 2 ou 3)

Ref.	Qtd.	Componentes de instalação
4	1	Filtro de carvão (opcional)
5	1	Válvula de retenção
6	1	Tampa de saída de ar
7	4	Parafusos 5mm x 49mm
8	4	Placas de parede de plástico



DIMENSÕES

unidade: mm

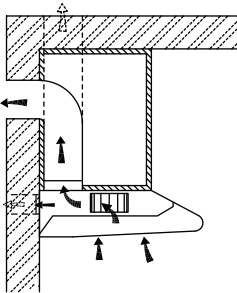


INSTALAÇÃO

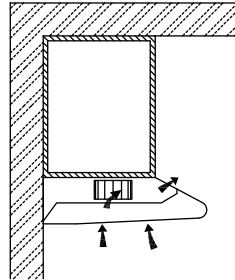
PERFURAÇÃO DA PAREDE E FIXAÇÃO DO SUPORTE

- Leia atentamente as instruções.
- Desembale o aparelho e verifique se todas as funções estão a funcionar. Certifique-se que a tensão(V) e a frequência (Hz) indicadas na placa de série correspondem à tensão e frequência do local de instalação.
- Verifique se a área por detrás da superfície de instalação a perfurar está livre de qualquer ligação eléctrica cabos ou tubagens, etc.
- As superfícies de aço inoxidável e do vidro da cobertura são muito facilmente danificadas durante a instalação se forem raspadas ou atingidas por ferramentas. Tenha o cuidado de proteger estas superfícies durante a instalação.
- Proteja a parte inferior da superfície da placa de cozinhar com cartão ou outro material semelhante para evitar eventuais danos enquanto a cobertura de parede está a ser instalada por cima.
- O fabricante não se responsabiliza pelo incumprimento de todas as normas de segurança em vigor para o funcionamento correcto e normal dos componentes eléctricos.

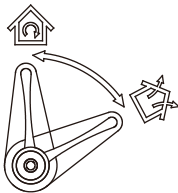
Seleccionar um modo de ventilação:



Modo de extracção de ar



Modo de recirculação

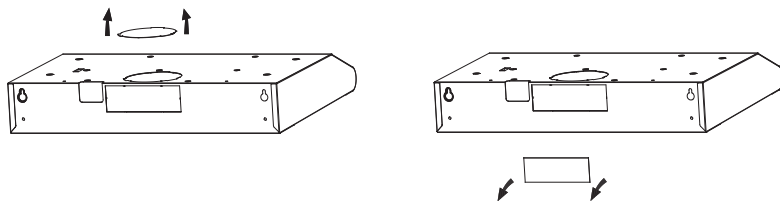


Posição do botão de ventilação

	Modo de extracção de ar: Rode o botão de ventilação para ventilar ar para o exterior.

Informações

- É necessário ar suficiente para uma combustão adequada e para a exaustão dos gases através da conduta (chaminé) do equipamento de queima de combustível para evitar a formação de correntes de ar. Os ventiladores sem condutas devem ser sempre ventilados para o exterior.
- Ao avaliar a pressão do ar, todo o sistema de ventilação da casa/apartamento deve ser tido em conta. P.e, tal não é aplicável à placa de fogão e/ou fogão a gás.
- Os regulamentos e legislação públicas devem ser respeitados para o transporte do ar de exaustão. Não existem restrições de funcionamento se o exaustor for utilizado no modo de circulação de ar com filtro de carvão activado.
- Se pretender o modo de extracção de ar, tem dois métodos de ventilação disponíveis nomeadamente 'ventilação horizontal' e 'ventilação vertical'. Utilize a ferramenta para retirar a tampa antes de utilizar e instalar a válvula de retenção no orifício.
- A válvula de retenção de ar quadrada para ventilação horizontal não é fornecida.



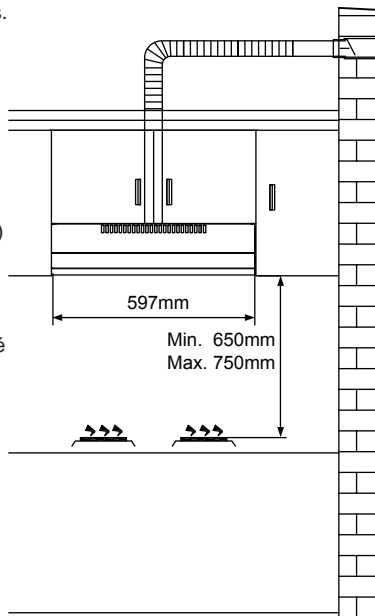
Preparar a instalação

Certifique-se de que a alimentação eléctrica foi desligada antes de iniciar esta instalação. A ficha deve ser montada em locais fáceis de arrastar e inserir.

Para instalar este exaustor, são necessários dois assistentes. Para efetuar esta instalação, são necessárias as seguintes ferramentas e materiais.

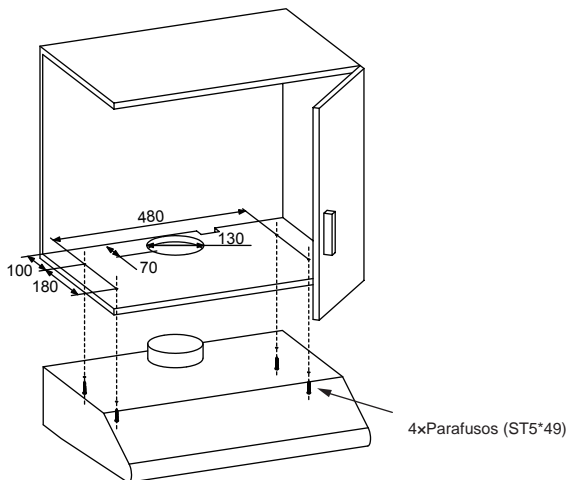
Ferramentas necessárias:

- Perfurador adequado à sua parede
 - Chave de fendas Phillips
 - Fita métrica
-
- Os trabalhos de instalação da fiação eléctrica devem ser realizados por pessoa(s) qualificada(s) e de acordo com todos os códigos e padrões aplicáveis, incluindo instalação de acordo com a classificação de risco de incêndio.
 - Não descarregue o ar de exaustão numa chaminé utilizada em simultâneo por outros aparelhos que queimem gás ou outros combustíveis.
 - Os regulamentos relativos à descarga de ar têm que ser obrigatoriamente cumpridos
 - O exaustor deve ser colocado a uma distância mínima de 65 cm acima da superfície de cozedura do fogão.
 - O exaustor deve ser colocado a uma distância máxima de 75 cm acima da superfície de cozedura de um fogão.



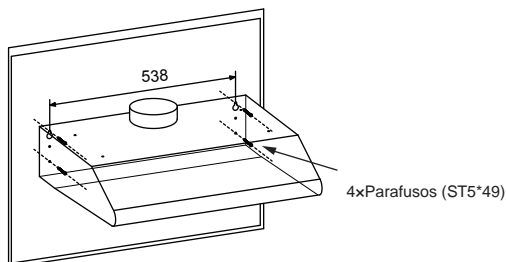
INSTALAÇÃO DE MONTAGEM EM ARMÁRIO

- Faça um furo de 130 mm de diâmetro e quatro furos de 3,5 mm de diâmetro, conforme figura abaixo.
- **ATENÇÃO:** Se o exaustor funcionar em modo de circulação de ar, não é necessário efectuar um furo de 130 mm de diâmetro.
- Utilize os 4 parafusos para fixar o exaustor a um armário de cozinha. Verifique se as fixações estão correctamente colocadas, fixando temporariamente o exaustor. Se estiverem correctos, coloque o aparelho na sua posição. Se necessário, aperte os parafusos.



INSTALAÇÃO DE REVESTIMENTO DE PAREDES

- Para montar na parede, abra dois orifícios de 10 mm de diâmetro e 538 mm com o orifício de ventilação no topo do exaustor no meio, conforme imagem abaixo. Certifique-se que o exaustor está alinhado directamente sobre a placa de fogão.
- Insira as duas buchas de plástico (fornecidas com a embalagem) nos orifícios.
- Insira dois parafusos nas buchas de plástico superiores e aperte deixando 3 mm salientes na parede.
- Monte o exaustor nos dois parafusos e marque as posições dos dois parafusos inferiores.
- Retire o aparelho e perfure os dois orifícios inferiores para os parafusos e insira as buchas de plástico.
- Monte o aparelho nos parafusos superiores, insira os parafusos inferiores e aperte completamente todos os parafusos.



↑ Informações

O ar não deve ser descarregado numa conduta simultaneamente utilizada para a evacuação de fumos de outros aparelhos a gás ou outros combustíveis.

FUNCIONAMENTO

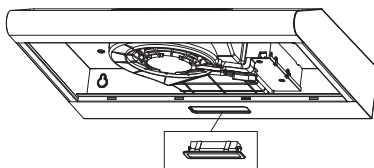
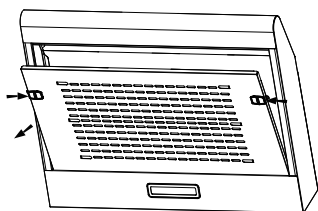



	INTERRUPTOR DO MOTOR DESLIGADO: Prima este interruptor para parar o funcionamento do motor.
	INTERRUPTOR DE VELOCIDADE: Se premir este interruptor, o motor funciona à velocidade BAIXA.
	INTERRUPTOR DE VELOCIDADE: Se premir este interruptor, o motor funciona a uma velocidade MÉDIA.
	INTERRUPTOR DE VELOCIDADE: Se premir este interruptor, o motor funciona a velocidade ALTA.
	INTERRUPTOR DE ILUMINAÇÃO ON/OFF: Prima este interruptor para ligar as luzes e prima-o novamente para as desligar.

ILUMINAÇÃO

SUBSTITUIÇÃO DA LÂMPADA

- Desligue o exaustor e isole-o retirando a ficha da tomada ou desligando o fusível.
- Retire o filtro de gordura.
- Retire a lâmpada, separando o seu encaixe do corpo do aparelho (pode necessitar de aplicar pressão ou força).
- Desligue o conector da lâmpada.
- Substitua a lâmpada por uma nova do mesmo tipo, certificando -se de que liga correctamente a lâmpada ao seu respectivo cabo.
- Volte a ligar a alimentação, inserindo a ficha de rede ou ligando o fusível.



	Potência máxima	Tensão	Imagem	Casquilho da lâmpada	Código ILCOS D
Módulos LED com balastro próprio	1.5W	220V-240V	 <p>Quadrado/Diâmetro:33.2mmx120mm</p>	/	DBS-1.5- H-33.2/120

LIMPEZA E MANUTENÇÃO

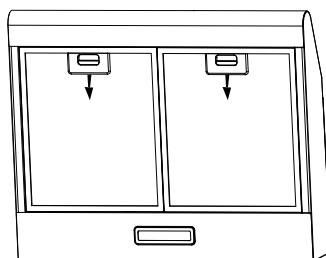
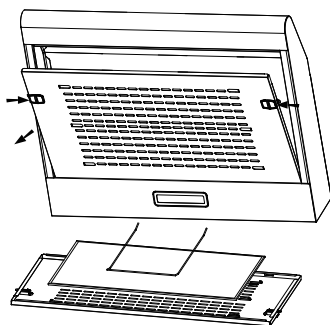
Desligue o exaustor da alimentação eléctrica antes de o limpar ou de efectuar qualquer manutenção.

- Limpe frequentemente a superfície do exaustor. Utilize sabão ou detergente suave para limpar o exaustor.
- Não utilize produtos alcalinos fortes nem abrasivos.
- Evite a utilização de detergentes ou de produtos para máquinas de lavar louça.
- O filtro de gorduras pode ser lavado com sabão ou detergente suave. (A acumulação intensa de gordura pode não ser fácil de limpar podendo obrigar à substituição do filtro).
- O filtro de carvão não pode ser limpo e deve ser substituído regularmente.

⚠ Informações

A água da limpeza não deve entrar no motor, do interruptor de controlo ou outras partes eléctricas. Recomenda-se a limpeza do filtro metálico de três em três meses, seguindo as seguintes instruções:

- Retire o filtro metálico do exaustor e lave-o numa solução de água e detergente líquido neutro, deixando-o de molho.
- Enxague abundantemente com água morna e deixe secar.
- O filtro metálico pode alterar a sua cor após várias lavagens, tal não implica necessidade de reclamação junto da assistência técnica nem substituição do filtro metálico.

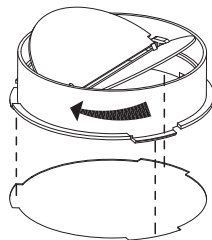


⚠ Informações

Existe um risco de incêndio se a limpeza não for efectuada de acordo com as instruções.

INSTALAÇÃO DA VÁLVULA DE RETENÇÃO

Segure a válvula de retenção com as mãos, alinhe a folga da caixa, coloque a válvula de retenção e de seguida, rode-a num determinado ângulo até que os três ângulos da válvula fiquem presos. A instalação está concluída. O tipo de fixação das guias de ar exterior e da válvula de retenção devem cumprir os requisitos da norma IEC/EN 60335-1.

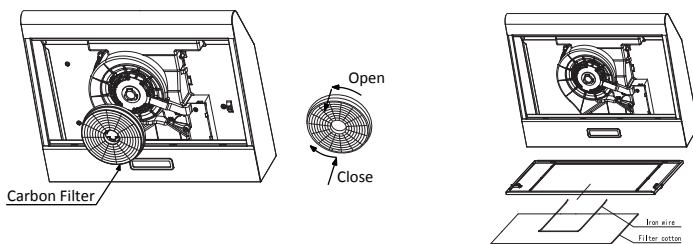


INSTALAR O FILTRO DE CARVÃO ACTIVADO

- Retire o filtro de gordura e remova o fio de ferro.
- O algodão filtrante está localizado na malha metálica e é fixado por um fio de ferro.
- Substitua por um novo filtro de algodão e aplique o procedimento inverso para a reinstalação.

Atenção: o algodão do filtro não pode ser lavado nem reciclado e deve ser substituído após uma utilização aproximada de dois a três meses.

Observações: O algodão filtrante não é fornecido com o aparelho (opcional).



ELIMINAÇÃO



A directiva europeia 2012/19/UE relativa aos resíduos de equipamentos eléctricos e electrónicos (REEE) exige que os aparelhos eléctricos domésticos em fim de vida não sejam eliminados em conjunto com lixo normal urbano e sem triagem. Os aparelhos velhos devem ser recolhidos separadamente, a fim de otimizar a recuperação e reciclagem dos seus componentes reduzindo o seu potencial impacto na saúde humana e meio ambiente. Este símbolo do "contentor do lixo com rodas" estampado no produto recorda-lhe a sua obrigação de quando for desfazer-se deste aparelho, o deve fazer de forma separada e controlada. Deve contactar as autoridades locais ou a loja onde adquiriu o aparelho para obter informações sobre a eliminação correcta do seu aparelho em fim de vida.

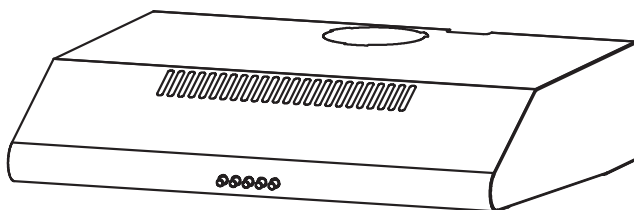
RESOLUÇÃO DE PROBLEMAS

Falha	Causa	Solução
A luz acende-se, mas o motor não funciona	As lâminas estão bloqueadas.	Verifique a lâmina.
	O condensador está danificado.	Substitua o condensador.
	O motor está danificado.	Substitua o motor.
	A cablagem interna do motor está cortada/desligada. Pode produzir-se um cheiro desagradável.	Substitua o motor.
A luz e o motor não funcionam	Para além dos aspectos acima referidos, deve verificar os seguintes:	
	Ligeiramente danificado.	Substitua as luzes.
	Cabo de alimentação solto.	Ligue os fios de acordo com o esquema eléctrico.
Fuga de óleo	Saída e entrada de ventilação de ar não estão hermeticamente fechados.	Retire a saída e sele com cola.
Vibração	Se a lâmina estiver danificada, pode provocar vibrações.	Substitua a lâmina.
	O motor não está bem apertado.	Aperte bem o motor.
	O exaustor não está bem fixo.	Fixe bem o exaustor.
Aspiração insuficiente	A distância entre o fogão e a placa de fogão é demasiado grande.	Reajuste a distância.
	Demasiada ventilação devido a portas ou janelas abertas.	Escolha um novo local para instalar o aparelho ou feche algumas portas/janelas.
Aparelho inclinado	Os parafusos de fixação não estão suficientemente apertados.	Aberte o parafuso de fixação e torne-o
	Os parafusos de suspensão não estão apertados com força suficiente.	Aperte o parafuso de suspensão e faça-o na horizontal.



BGR

TRD6F49IX
TRD6F49W



АСПИРАТОР

РЪКОВОДСТВО ЗА УПОТРЕБА

Прочетете внимателно това ръководство преди употреба.
Снимките в това ръководство са само за ориентир, изгледа на
реалният продукт е от решаващо значение.

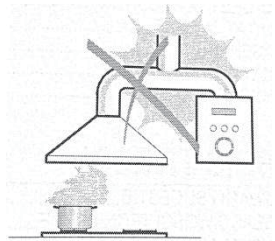
ПРЕПОРЪКИ И СЪВЕТИ



Инструкциите за експлоатация се отнасят за различните модификации на този аспиратор. Следователно, можете да намерите описания на отделни характеристики, които не се отнасят до Вашия специфичен уред.

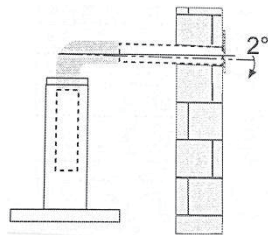
МОНТАЖ

- Производителят не носи отговорност за повреди, дължащи се на неправилен монтаж или неспазени изисквания.
- Уверете се, че напрежението на мрежата отговаря на посоченото на табелка, намираща се във вътрешността на аспиратора.
- За уреди от клас I се уверете, че електрическата инсталация е добре заземена
- Свържете към изхода на аспиратора въздуховод с диаметър не по-малък от 120 mm.
- Разстоянието между комина и аспиратора трябва да бъде възможно по-малко.
- Не свързвайте аспиратора към комини, които обслужват и други уреди (отоплителни печки, камини и т.н.)
- Ако инструкциите за монтаж на газовия котлон посочават по-голямо разстояние, от посочено по-горе, това трябва да се вземе предвид.
- Ако захранващият кабел е повреден, трябва да бъде заменен от производителя или негов сервизен агент или лице с подобна квалификация, за да се избегне опасност.
- Въздухът не трябва да се изхвърля в димоотвод, който се използва за изпускане на изпарения от уреди, работещи с газ или други горива (неприложимо за уреди, които изхвърлят въздуха обратно в помещението).
- Минималното разстояние между опорната повърхност за съдовете на котлона и най-ниската част на аспиратора е 650 mm.
- Трябва да се спазват разпоредбите относно изпускането на въздух.



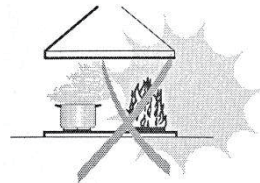
УПОТРЕБА


- Аспираторът е предназначен за употреба в домашни условия, за да поглъща миризмите в кухнята.
- Никога не използвайте аспиратора за цели, различни от тези, за които е предназначен.
- Никога не оставяйте свободен пламък с голям интензитет под работещ аспиратор.
- Регулирайте интензитета на пламъка така, че да се насочи към дъното на готварския съд без да излиза извън него
- Фритюрниците трябва постоянно да се наблюдават по време на употреба: прегрятото олио може да избухне в пламъци..
- Аспираторът не е предназначен за използване от лица с физически, психически или ментални увреждания (включително деца), които нямат необходимите познания и умения за работа с уреда, освен ако те не са нагледжани или инструктирани за използването на уреда от лице, отговорно за тяхната безопасност.
- Децата трябва да се нагледжат, за да сте сигурни, че не си играят с уреда.
- Трябва да има подходяща вентилация на помещението, когато аспираторът се използва едновременно с уреди, работещи на газ или други горива (не е приложимо за уреди, които изхвърлят въздуха обратно в помещението).
- Съществува риск от пожар, ако почистването не се извърши в съответствие с инструкциите.
- Не фламбирайте под аспиратора.
- **ПРЕДУПРЕЖДЕНИЕ:** Достъпните части могат да се нагорещат, когато аспиратора се използва съвместно с уреди за готвене.



ПОДДРЪЖКА

- Аспираторът и неговият филтър трябва да се почистват редовно според инструкциите.
- Изключете уреда или извадете щепсела от електрическата мрежа, преди да извършвате каквато и да е работа по поддръжката.
- Почистете аспиратора с влажна кърпа и неутрален течен препарат.
- С уредът могат да се използват максимум 4 котлона.



Символът  върху продукта или върху документа придружаващ продукта показва, че този уред не трябва да се третира като домакински отпадък. Вместо това той трябва да се предаде на подходящия сборен пункт за рециклиране на електрически и електронни уреди. Унищожаването трябва да се извърши в съответствие с местните закони за опазване на околната среда и унищожаване на отпадъци.

ОСНОВНИ ПАРАМЕТРИ

Номинално напрежение и честота: 220-240V~ 50/60Hz

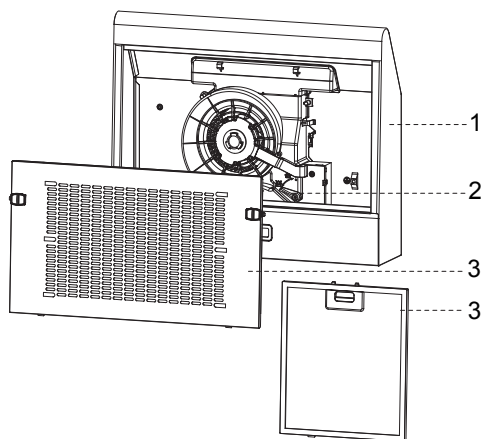
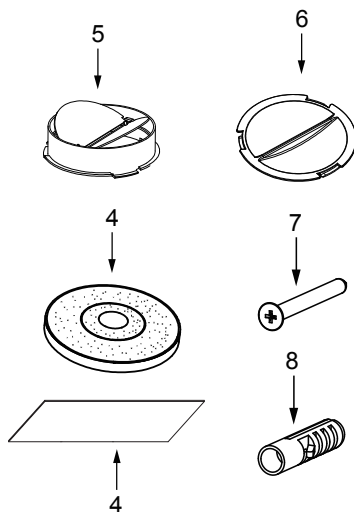
Входяща мощност на двигателя: 38W

При определени обстоятелства електрическият уред може да представлява опасност.

КОМПОНЕНТИ

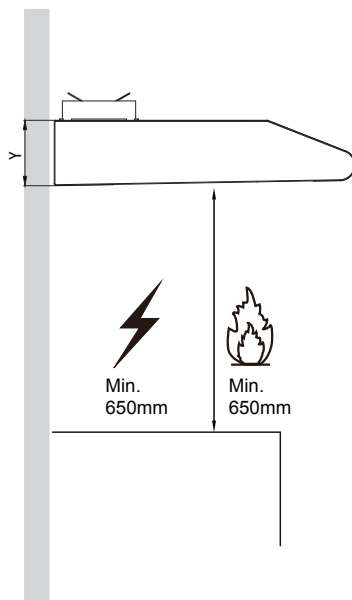
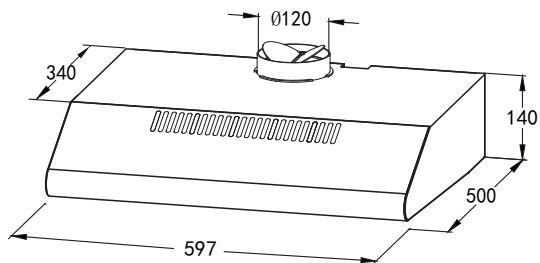
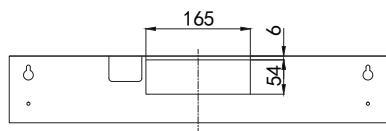
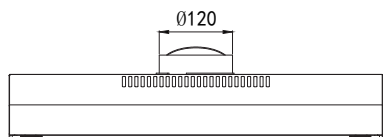
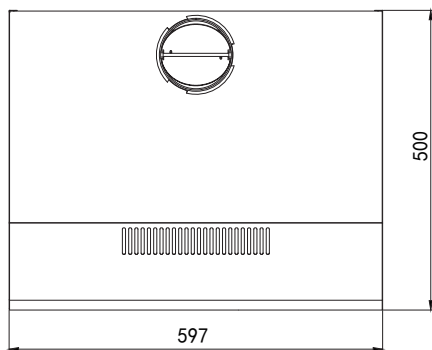
№	Кол-во	Продуктов компонент
1	1	Основен корпус
2	1	Копче за вентилация
3	1	Слюбаем филтър (опция 2 или 3)

№	Кол-во	Монтажни компоненти
4	1	Въглероден филтър (опционално)
5	1	Контролен клапан
6	1	Капачка за изпускане на въздух
7	4	Винтове 5мм x 49мм
8	4	Пластмасови тапи за стена



РАЗМЕРИ

единица: mm

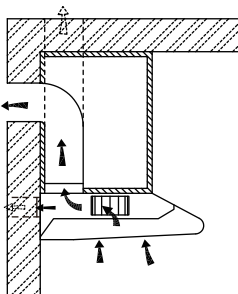


МОНТАЖ

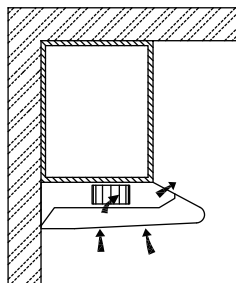
ПРОБИВАНЕ НА СТЕНА И ФИКСИРАНЕ НА ОКАЧВАНЕТО

- Моля, прочетете внимателно инструкциите.
- Разпакувайте капака и проверете дали всички функции работят. Уверете се, че напрежението (V) и честотата (Hz), посочени на серийния плоч, съответстват на напрежението и честотата на местоположението на инсталацията.
- Проверете дали областта зад инсталационната повърхност, която ще се пробива, е без електрически кабели или тръби и др.
- Неръждаемите стоманени и стъклени повърхности на капака могат лесно да бъдат повредени при инсталация, ако бъдат наранени или ударени от инструменти. Моля, внимавайте и защитавайте повърхностите по време на инсталацията.
- За да предотвратите повреда на готварската повърхност под капака, поставете картон или подобно, докато се инсталира стенният капак отгоре.
- Производителят не носи отговорност за невъзможност да се спазват всички действащи правила за безопасност за правилната и нормална работа на електрическите части.

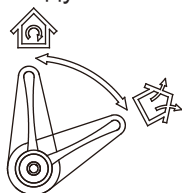
Изберете режим на вентилация:





Режим на извличане на въздух



Режим на рециркулация

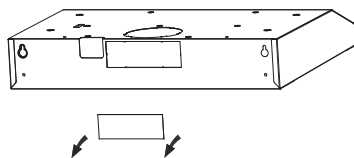
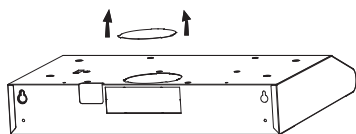


	Режим на изсмукване на въздух: Завъртане на копчето за вентилация тук означава вентилация навън.
	Режим на циркулация на въздуха: Завъртане на копчето за вентилация тук означава рециркулация.

Позиция на копчето за вентилация

Информация

- Необходим е достатъчно въздух за правилното изгаряне и изпускане на газовете през отвода (комина) на оборудването за изгаряне на гориво, за да се предотврати обратно издухване. Вентилаторите без канали трябва винаги да се вентилират на открито.
- При оценката на въздушното налягане трябва да се вземе предвид цялата вентилационна система в къщата/апартаента, напр. за котлон и/или газова печка, това правило не важи.
- Правителствените разпоредби трябва да се спазват за транспортирането на отработения въздух. Ако аспираторът се използва в режим на циркулация на въздуха с филтър с активен въглен, няма ограничения за работа.
- Ако изберете режим на извличане на въздух, има два метода за вентилация, включително „хоризонтална вентилация“ и „вертикална вентилация“. Моля, използвайте инструмента, извадете капака преди употреба и монтирайте контролен клапан в отвора.
- Квадратният въздушен контролен клапан за хоризонтална вентилация не се предоставя.



Подгответе монтажа:

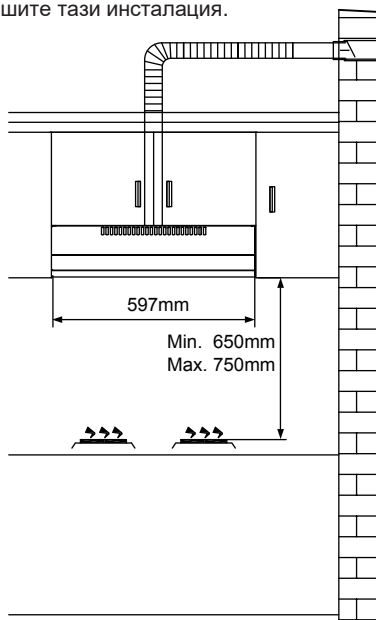
Уверете се, че захранването е изключено, преди да започнете тази инсталация.

Щепселът трябва да бъде сглобен на места, лесни за плъзгане и поставяне.

За да инсталирате този аспиратор, ще ви трябват двама помощници. Ще ви трябват следните инструменти и материали, за да завършите тази инсталация.

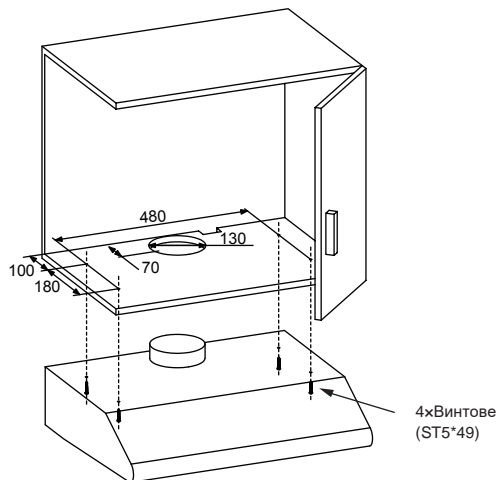
Инструменти, които ще ви бъдат необходими:

- Свредло, подходящо за вашата стена
 - Отверка тип "Филипс"
 - Мерителна лента
 - Ръчен трион или прободен трион
-
- Инсталационната работа и електрическото окабеляване трябва да се извършват от квалифицирано лице(а) в съответствие с всички приложими кодове и стандарти, включително пожароустойчива конструкция.
 - Не изпускате отработения въздух в димоотвода от други уреди, работещи с газ или други горива.
 - Наредби относно изхвърлянето на въздух трябва да бъдат изпълнени.
 - Аспираторът трябва да бъде поставен на минимално разстояние от 65 cm над повърхността за готвене на котлона.
 - Аспираторът трябва да бъде поставен на максимално разстояние от 75 cm над повърхността за готвене на котлона.



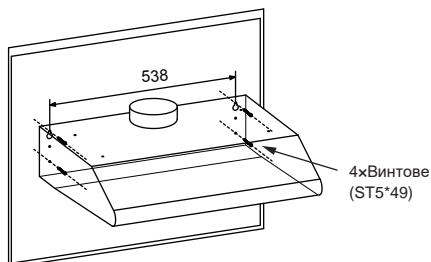
МОНТАЖ ЗА ШКАФ

- Пробийте отвора с диаметър 130 mm и четири отвора с диаметър 3,5 mm, както е на снимката по-долу.
- **ВНИМАНИЕ:** Ако вашият аспиратор работи в режим на циркулация на въздуха, не е необходимо да пробивате отвор с диаметър 130 mm.
- Използвайте 4-те винта, за да фиксирате аспиратора към кухненски шкаф. Проверете дали вашите крепежни елементи са разположени правилно, като временно монтирате аспиратора. Ако е правилно, монтирайте уреда на място. Затегнете винтовете, ако е необходимо.



МОНТАЖ ЗА СТЕНА

- За да монтирате на стената, пробийте два отвора с диаметър 10 mm и 538 mm с вентилационния отвор в горната част на аспиратора в средата, както е на снимката по-долу. Уверете се, че аспираторът е подравнен директно над плота.
- Поставете две пластмасови дюбели (доставени) в дупките.
- Поставете два винта в горните две пластмасови дюбели и ги затегнете, оставяйки 3 mm да стърчат от стената.
- Монтирайте аспиратора върху двата винта и маркирайте позициите на долните два винта.
- Сваляте капака и пробийте долните два отвора за винтове и поставете пластмасовите дюбели.
- Монтирайте капака върху горните винтове, поставете долните винтове и затегнете
↓ напълно всички винтове.








↑ Информация

Въздухът не трябва да се изпуска в дымоотвод, който се използва за изпускане на дим от уреди, работещи с газ или други горива.

ЕКСПЛОАТАЦИЯ

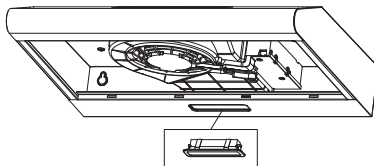
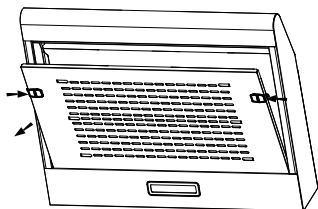



	ИЗКЛЮЧВАТЕЛ ЗА ИЗКЛЮЧВАНЕ НА МОТОРА: Натиснете този превключвател, за да спрете работата на мотора.
	ПРЕВКЛЮЧВАТЕЛ ЗА СКОРОСТ: Натиснете този превключвател и моторът ще работи на НИСКИ обороти.
	ПРЕВКЛЮЧВАТЕЛ ЗА СКОРОСТ: Натиснете този превключвател и моторът ще работи на СРЕДНИ обороти.
	ПРЕВКЛЮЧВАТЕЛ ЗА СКОРОСТ: Натиснете този превключвател и моторът ще работи на ВИСОКИ обороти.
	КЛЮЧ ЗА ВКЛЮЧВАНЕ/ИЗКЛЮЧВАНЕ НА ОСВЕТЛЕНИЕТО: Натиснете този превключвател, за да включите светлините, и натиснете го отново, за да ги изключите.

✓ ОСВЕТЛЕНИЕ

СМЯНА НА ЛАМПАТА

- Изключете аспиратора и изолирайте аспиратора, като издърпате щепсела или изключите предпазителя.
- Отстранете филтъра за мазнини.
- Отстранете лампата, като дръпнете нейния монтаж от тялото на аспиратора (това може да изисква прилагане на натиск или сила).
- Разкачете конектора на лампата.
- Сменете лампата с нова от същия тип, като се уверите, че сте свързали лампата със светлинния кабел правилно.
- Свържете отново захранването, като поставите щепсела или като включите предпазителя..



	Макс. мощност	Напрежение	Снимка	Кап. на лампата	ILCOS D код
LED модули разделен баласт	1.5W	220V-240V	 Квадрат / Диаметър: 33.2mmx120mm	/	DBS-1.5- H-33.2/120

ПОЧИСТВАНЕ И ПОДДРЪЖКА

Изключете аспиратора от захранването преди почистване или обслужване.

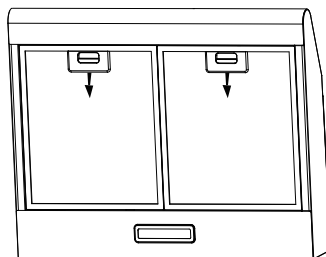
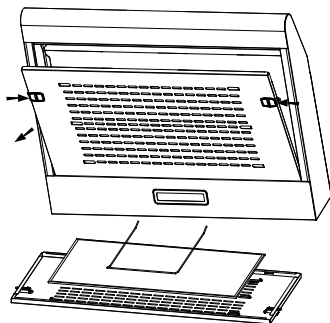
- Често почиствайте повърхността на аспиратора. Използвайте мек сапун или препарат за почистване на аспиратора.
- Не използвайте силни алкали или абразиви.
- Избягвайте използването на почистващи препарати или смеси за съдомиялни машини.
- Филтърът за мазнини може да се измие с мек сапун или препарат. (Тежкото натрупване на мазнина може да не се почисти лесно и филтърът може да изисква подмяна).
- Въгленият филтър не може да се почиства и трябва да се сменя редовно.

Информация

Почистващата вода не трябва да прониква в електрическите части на мотора, контролния превключвател и др.

Препоръчително е да почиствате металния филтър на всеки три месеца, като следвате следните инструкции:

- Извадете металния филтър от аспиратора и го измийте в разтвор от вода и неутрален течен препарат, като го оставите да се накисне.
- Изплакнете обилно с топла вода и оставете да изсъхне.
- Металният филтър може да промени цвета си след няколко измивания. Това не е причина за оплаквания от клиенти или за смяна на метален филтър.

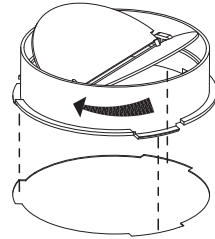


Информация

Съществува риск от пожар, ако почистването не се извърши в съответствие с инструкциите.

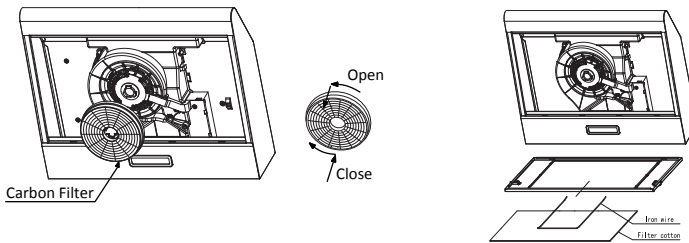
МОНТАЖ НА КОНТРОЛНИЯ КЛАПАН

Задръжте контролния клапан с ръцете си, подравнете празнината на кутията, поставете контролния клапан и след това завъртете до определен ъгъл, докато три ъгъла на клапана се залепят. Монтажът е завършен. Типът закрепване за външни въздуховоди и контролния клапан трябва да отговаря на изискванията на стандарт IEC/EN 60335-1.



МОНТАЖ НА ВЪГЛЕВИЯ ФИЛТЪР

- Отстранете филтъра за мазнини и отстранете железния проводник.
 - Филтърният памук е разположен върху металната мрежа и е фиксиран с железна тел.
 - Сменете нов филтърен памук, приложете обратната процедура за повторно инсталиране.
- Предупреждение:** филтърният памук не може да се пере или рециклира. Трябва да се смени след приблизително 2-3 месеца употреба.
- Забележка:** Филтърният памук не се доставя с вашия уред (опция).



ИЗХВЪРЛЯНЕ



Европейската директива 2012/19/ЕС относно отпадъците от електрическо и електронно оборудване (WEEE) изисква старите домакински електрически уреди да не се изхвърлят в нормалния несортиран битов поток от отпадъци. Старите уреди трябва да се събират отделно, за да се оптимизира възстановяването и рециклирането на материалите, които съдържат, и да се намали въздействието върху човешкото здраве и околната среда.

Символът със зачеркнат „кофа за боклук“ върху продукта ви напомня за вашето задължение, че когато изхвърляте уреда, той трябва да бъде събиран отделно. Потребителите трябва да се свържат с местните власти или търговец на дребно за информация относно правилното изхвърляне на техния стар уред.

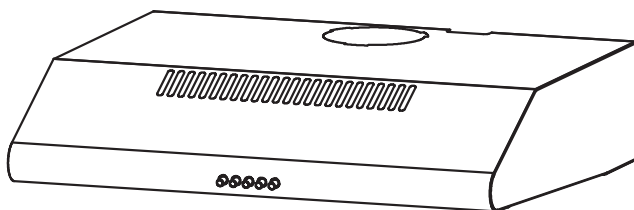
ОТСТРАНЯВАНЕ НА ПРОБЛЕМИ

Грешка	Причина	Решение
Лампата свети, но моторът не работи	Лопатките са блокирани.	Проверете лопатките.
	Кондензаторът е повреден.	Сменете кондензатора.
	Моторът е повреден.	Сменете мотора.
	Вътрешното окабеляване на мотора е прекъснато/откачено. Може да се получи неприятна миризма.	Сменете мотора.
И лампата, и мотора не работят	Освен горепосоченото, проверете следното:	
	Лампата е повредена	Сменете лампата.
	Разхлабен захранващ кабел.	Свържете проводниците според електрическата схема.
Изтичане на масло	Изходът и вентилационният вход не са плътно затворени.	Свалете изхода и го запечатайте с лепило.
Вибрация	Лопатките, ако са повредени, могат да причинят вибрации.	Сменете лопатките.
	Моторът не е здраво закрепен.	Затегнете мотора здраво.
	Аспираторът не е здраво закрепен.	Закрепете плътно аспиратора.
Недостатъчно засмукване	Разстоянието между аспиратора и плата е твърде голямо.	Регулирайте отново разстоянието.
	Твърде много вентилация от отворени врати или прозорци.	Изберете ново място за инсталиране на уреда или затворете някои врати/прозорци.
Машина та се накланя	Фиксиращите винтове не са достатъчно затегнати.	Затегнете фиксиращия винт и го направете хоризонтален.
	Висящите винтове не са достатъчно стегнати.	Затегнете окачващия винт и го направете хоризонтален.



GRC

TRD6F49IX
TRD6F49W




ΑΠΟΡΡΟΦΗΤΗΡΑΣ

ΕΓΧΕΙΡΙΔΙΟ ΧΡΗΣΗΣ

Διαβάστε προσεκτικά το παρόν εγχειρίδιο πριν χρησιμοποιήσετε τη συσκευή.

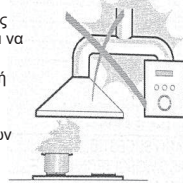
Οι εικόνες που περιλαμβάνονται στο παρόν εγχειρίδιο είναι μόνο για αναφορά. Λαμβάνεται υπόψη το προϊόν.

ΣΥΣΤΑΣΕΙΣ ΚΑΙ ΣΥΜΒΟΥΛΕΣ

 Οι οδηγίες χρήσης ισχύουν για διάφορες εκδόσεις αυτής της συσκευής. Συνεπώς, μπορεί να βρείτε περιγραφές μεμονωμένων λειτουργιών που δεν ισχύουν για τη συγκεκριμένη συσκευή σας.

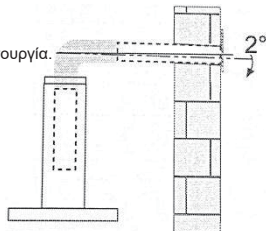
ΕΓΚΑΤΑΣΤΑΣΗ

- Ο κατασκευαστής δεν φέρει ευθύνη για τυχόν ζημιές που οφείλονται σε εσφαλμένη ή ακατάλληλη εγκατάσταση.
- Η ελάχιστη απόσταση μεταξύ της επιφάνειας στήριξης για των σκευών μαγειρέματος στην εστία και το χαμηλότερο τμήμα του απορροφητήρα. (Όταν ο απορροφητήρας τοποθετείται πάνω από συσκευή αερίου, η απόσταση αυτή πρέπει να είναι τουλάχιστον 65 cm. Εάν οι οδηγίες εγκατάστασης για την εστία αερίου καθορίζουν μεγαλύτερη απόσταση, η απόσταση αυτή πρέπει να ακολουθείται. Η απόσταση των 65 cm μπορεί να μειωθεί στις εξής περιπτώσεις: για τα μη εύφλεκτα μέρη των απορροφητήρων και τα εξαρτήματα που λειτουργούν με αφαλία σε χαμηλή τάση, υπό τον όρο ότι τα μέρη αυτά δεν έρχονται σε επαφή με μέρη υπό τάση, εάν παραμορφωθούν.
- Ελέγξτε ότι η τάση δικτύου αντιστοιχεί σε εκείνη που αναγράφεται στην πινακίδα χαρακτηριστικών που είναι τοποθετημένη στον απορροφητήρα.
- Για συσκευές Κατηγορίας I, βεβαιωθείτε ότι η οικιακή παροχή ρεύματος διαθέτει επαρκή γείωση. Συνδέστε τον απορροφητήρα στον καπναγωγό μέσω σωλήνα ελάχιστης διαμέτρου 120mm.
- Η διαδρομή του αγωγού πρέπει να είναι όσο το δυνατόν βραχύτερη.
- Ο αέρας δεν πρέπει να εκκενώνεται μέσα σε αγωγό που χρησιμοποιείται για τα αέρια απαγωγής συσκευών που καίνε φυσικό αέριο ή άλλα καύσιμα.
- Εάν ο απορροφητήρας χρησιμοποιείται σε συνδυασμό με μη ηλεκτρικές συσκευές (π.χ. συσκευές αερίου), πρέπει να εξασφαλίζεται επαρκής αερισμός στον χώρο, ώστε να αποφεύγεται η αντίστροφη διαρροή.
- Η κουζίνα πρέπει να έχει ένα άνοιγμα που να επικοινωνεί απευθείας με τον εξωτερικό αέρα, προκειμένου να διασφαλιστεί η είσοδος καθαρού αέρα.
- Όταν ο απορροφητήρας χρησιμοποιείται σε συνδυασμό με συσκευές που χρησιμοποιούν μη ηλεκτρική ενέργεια, η αρνητική πίεση στον χώρο δεν πρέπει να υπερβαίνει τα 0,04 mbar, ώστε να μην υπάρχει ενδεχόμενο να γίνει αντίστροφη ροή των αερίων στον χώρο από τον απορροφητήρα.
- Αν το καλώδιο παροχής είναι φθαρμένο, θα πρέπει να αντικατασταθεί από τον κατασκευαστή, από τον αντιπρόσωπο σέρβις ή από ανάλογο εξειδικευμένο προσωπικό, για την αποφυγή τυχόν κινδύνων.
- Πρέπει να τηρούνται οι κανονισμοί σχετικά με την εκκένωση του αέρα.



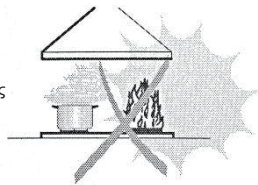
ΧΡΗΣΗ


- Ο απορροφητήρας είναι μόνο για οικιακή χρήση και δεν είναι κατάλληλος για μάρμπεκιου, ψισταριές και άλλους εμπορικούς σκοπούς.
- Μην χρησιμοποιείτε ποτέ τον απορροφητήρα για σκοπούς άλλους από εκείνους για τους οποίους έχει σχεδιαστεί.
- Μην αφήνετε ποτέ μεγάλες γυμνές φλόγες κάτω από τον απορροφητήρα όταν είναι σε λειτουργία.
- Ρυθμίστε την ένταση της φλόγας ώστε να την κατευθύνετε μόνο στο κάτω μέρος του σκεύους, φροντίζοντας να μην ξεφεύγει πέρα από την περιμέτρω του.
- Οι φωτιές πρέπει να παρακολουθούνται συνεχώς κατά τη χρήση: εάν το λάδι υπερθερμανθεί, μπορεί να πάρει φωτιά.
- Μην ανάβετε φλόγες κάτω από τον απορροφητήρα. Κίνδυνος πυρκαγιάς.
- Αυτή η συσκευή μπορεί να χρησιμοποιηθεί από παιδιά ηλικίας 8 ετών και άνω, καθώς και από άτομα με μειωμένες φυσικές, αισθητηριακές ή πνευματικές ικανότητες ή από άτομα χωρίς εμπειρία και γνώσεις, αν έχουν επίβλεψη ή αν τους έχουν δοθεί οδηγίες σχετικά με την ασφαλή χρήση της συσκευής και αν κατανοούν τους ενεχόμενους κινδύνους.
- Επιβλέψτε πάντοτε τα παιδιά και βεβαιωθείτε ότι δεν παίζουν με τη συσκευή.
- Ο καθαρισμός και η συντήρηση από τον χρήστη δεν πρέπει να διεξάγονται από παιδιά χωρίς επίβλεψη.
- «ΠΡΟΣΟΧΗ: Τα προσβάσιμα μέρη ενδέχεται να υπερθερμανθούν όταν χρησιμοποιούνται με συσκευές μαγειρέματος».



ΣΥΝΤΗΡΗΣΗ

- Ο απορροφητήρας και το φίλτρο του πρέπει να καθαρίζονται τακτικά σύμφωνα με τις οδηγίες.
- Απενεργοποιήστε ή αποσυνδέστε τη συσκευή από την παροχή ρεύματος πριν εκτελέσετε οποιαδήποτε εργασία συντήρησης.
- Καθαρίστε ή/και επαναποθετήστε τα φίλτρα μετά την καθορισμένη περίοδο (Κίνδυνος πυρκαγιάς).
- Καθαρίστε τον απορροφητήρα χρησιμοποιώντας ένα υγρό πανί και ένα ουδέτερο υγρό απορρυπαντικό.
- Η συσκευή μπορεί να εξυπηρετήσει το πολύ 4 μαγειρικές εστίες.



Η χρήση του συμβόλου  δηλώνει ότι αυτό το προϊόν δεν πρέπει να αντιμετωπίζεται ως οικιακό απόβλητο. Παραδώστε τα σε ένα συγκεκριμένο σημείο συλλογής για την ανακύκλωση των ηλεκτρικών απορριμμάτων και του ηλεκτρονικού εξοπλισμού. Φροντίζοντας για την ορθή απόρριψη του προϊόντος, συμβάλλετε στην αποτροπή πιθανών αρνητικών επιπτώσεων στο περιβάλλον και την υγεία, οι οποίες μπορεί να προκληθούν λόγω εσφαλμένου χειρισμού αυτού του προϊόντος. Για περισσότερες πληροφορίες σχετικά με την ανακύκλωση αυτού του προϊόντος, παρακαλούμε επικοινωνήστε με τις αρμόδιες τοπικές αρχές ή με το κατάστημα από όπου προμηθευτήκατε το προϊόν.

ΒΑΣΙΚΕΣ ΠΑΡΑΜΕΤΡΟΙ

Ονομαστική τάση και συχνότητα: 220-240V~ 50/60Hz

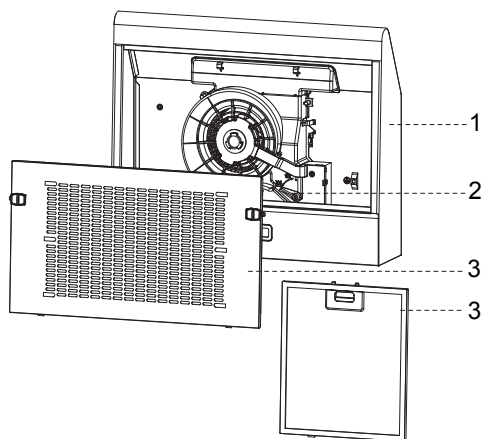
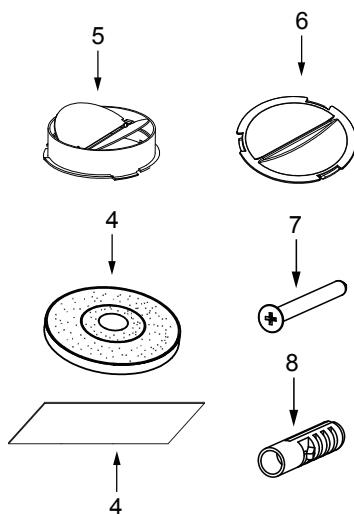
Ισχύς εισόδου κινητήρα: 38W

Σε ορισμένες περιπτώσεις, η ηλεκτρική συσκευή μπορεί να προκαλέσει κίνδυνο.

ΕΞΑΡΤΗΜΑΤΑ

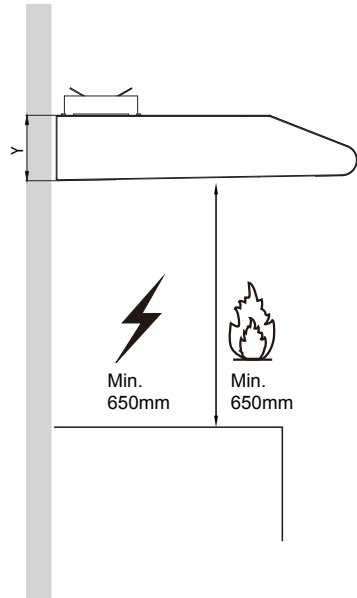
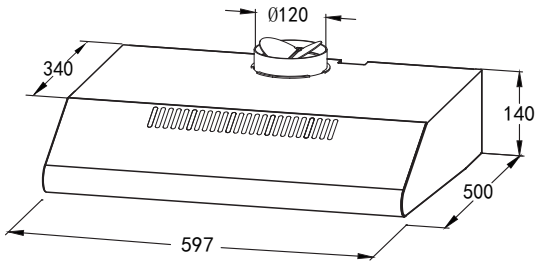
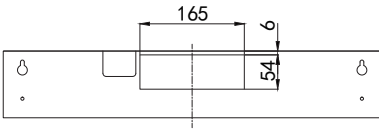
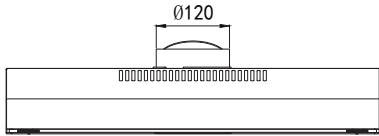
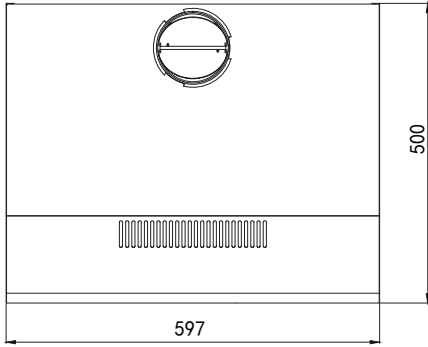
Κωδ.	Ποσότητα	Εξαρτήματα προϊόντος
1	1	Κυρίως σώμα απορροφητήρα
2	1	Κουμπί αερισμού
3	1	Συγκρότημα φίλτρου (προαιρετικά 2 ή 3)

Κωδ.	Ποσότητα	Εξαρτήματα εγκατάστασης
4	1	Φίλτρο άνθρακα (προαιρετικό)
5	1	Βαλβίδα ελέγχου
6	1	Πώμα εξόδου αέρα
7	4	Βίδες 5mm x 49mm
8	4	Πλαστικά Βύσματα για τοίχους



ΔΙΑΣΤΑΣΕΙΣ

μονάδα: mm

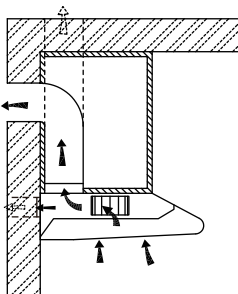


ΕΓΚΑΤΑΣΤΑΣΗ

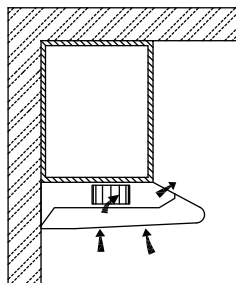
ΔΙΑΤΡΗΣΗ ΤΟΙΧΟΥ ΚΑΙ ΣΤΕΡΕΩΣΗ ΒΑΣΗΣ

- Διαβάστε προσεκτικά τις οδηγίες.
- Αποσυνεχάστε τον απορροφητήρα και βεβαιωθείτε ότι όλες οι λειτουργίες δουλεύουν. Βεβαιωθείτε ότι η τάση (V) και η συχνότητα (Hz) που αναγράφονται στην πινακίδα χαρακτηριστικών αντιστοιχούν με την τάση και τη συχνότητα στο χώρο εγκατάστασης.
- Βεβαιωθείτε ότι η περιοχή πίσω από την επιφάνεια εγκατάστασης που πρόκειται να διατρηθεί είναι ελεύθερη από τυχόν ηλεκτρικά καλώδια, σωλήνες, κλπ.
- Οι επιφάνειες του απορροφητήρα από ανοξείδωτο χάλυβα και γυαλί είναι πολύ εύκολο να πάθουν ζημιά κατά την εγκατάσταση, αν ξυστούν ή χτυπηθούν από τα εργαλεία. Φροντίστε να προστατεύετε τις επιφάνειες κατά την εγκατάσταση.
- Προστατεύετε την επιφάνεια των μαγειρικών εστιών από κάτω με χαρτόνι ή παρόμοιο υλικό, για να μην υποστούν ζημιές κατά την εγκατάσταση του απορροφητήρα από πάνω.
- Ο κατασκευαστής δεν φέρει καμία ευθύνη για τη μη τήρηση όλων των κανονισμών ασφαλείας που ισχύουν για τη σωστή και κανονική λειτουργία των ηλεκτρικών μερών.

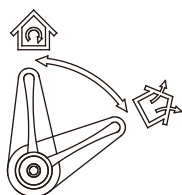
Επιλέξτε μια λειτουργία εξαερισμού:





Λειτουργία αέρα εξαγωγή



Λειτουργία ανακυκλοφορίας αέρα

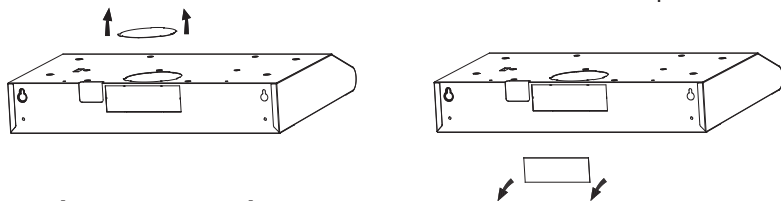


Θέση διακόπτη εξαερισμού

	Λειτουργία εξαγωγής αέρα: Αν στρέψετε τον διακόπτη εξαερισμού εδώ, σημαίνει εξαερισμό προς τα έξω
	Λειτουργία ανακυκλοφορίας αέρα: Αν στρέψετε τον διακόπτη εξαερισμού εδώ, σημαίνει ανακυκλοφορία

! Πληροφορίες

- Για τη σωστή καύση και εξαγωγή των αερίων μέσω του αγωγού (της καμινάδας) του εξοπλισμού καύσης καυσίμων χρειάζεται επαρκής αέρας, για την πρόληψη της επιστροφής. Οι ανεμιστήρες χωρίς αγωγό πρέπει να εξαερώνονται πάντα σε εξωτερικό χώρο..
- Κατά την αξιολόγηση της πίεσης του αέρα πρέπει να λαμβάνεται υπόψη ολόκληρο το σύστημα εξαερισμού στο σπίτι/διαμέρισμα, π.χ. εστία μαγειρέματος ή κουζίνα αερίου. Αυτός ο κανόνας δεν ισχύει.
- Πρέπει να τηρούνται οι κρατικοί κανονισμοί για τη μεταφορά του αέρα εξαγωγής. Αν ο απορροφητήρας χρησιμοποιείται στη λειτουργία ανακυκλοφορίας αέρα με φίλτρο ενεργού άνθρακα, δεν υπάρχουν περιορισμοί λειτουργίας.
- Εάν επιλέξετε τη λειτουργία εξαγωγής αέρα, υπάρχουν δύο μέθοδοι αερισμού, μεταξύ των οποίων «οριζόντιος αερισμός» και «κάθετος αερισμός». Χρησιμοποιήστε το εργαλείο, αφαιρέστε το κάλυμμα πριν το χρησιμοποιήσετε και εγκαταστήστε τη βαλβίδα αντεπιστροφής τρύπα.
- Η τετράγωνη βαλβίδα ελέγχου αέρα για οριζόντιο αερισμό δεν παρέχεται



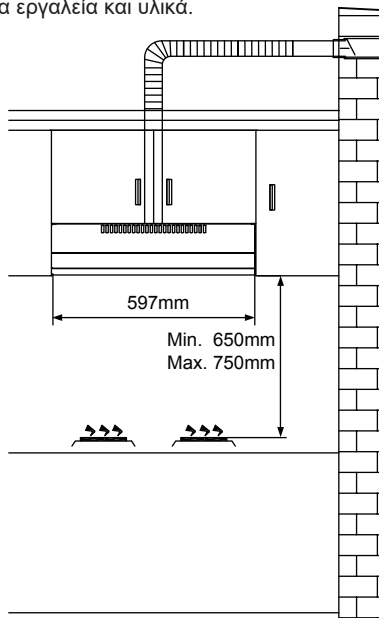
Προετοιμάστε την εγκατάσταση:

Πριν αρχίσετε αυτήν την εγκατάσταση, βεβαιωθείτε ότι έχει διακοπεί η τροφοδοσία. Το βύσμα πρέπει να συναρμολογείται σε θέσεις όπου εύκολο να τραβιέται και να εισάγεται.

Για να εγκαταστήσετε αυτόν τον απορροφητήρα, θα χρειαστείτε δύο βοηθούς. Για την ολοκλήρωση αυτής της εγκατάστασης, θα χρειαστείτε τα ακόλουθα εργαλεία και υλικά.

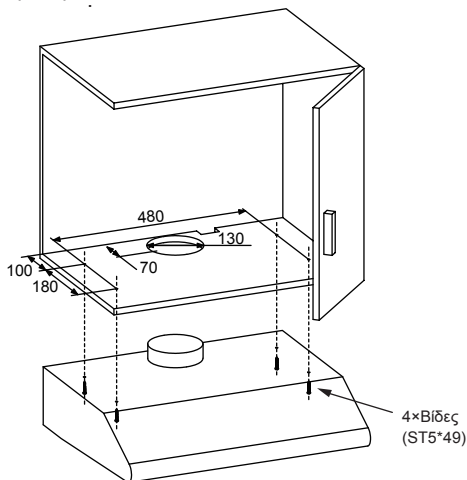
Εργαλεία που θα χρειαστείτε:

- Δράπανο κατάλληλο για τον τοίχο σας
- Κατσαβίδι Phillips
- Μεζούρα
- Πριόνι χειρός ή σέγα
- Η εργασία εγκατάστασης και η ηλεκτρική καλωδίωση πρέπει να εκτελεστούν από εξειδικευμένα άτομα σύμφωνα με όλους τους ισχύοντες κώδικες και πρότυπα, συμπεριλαμβανομένης της αντιπυρικής κατασκευής.
- Μην εκκενώνετε τον αέρα εξαγωγής μέσα σε αγωγό που χρησιμοποιείται από άλλες συσκευές που καίνε φυσικό αέριο ή άλλα καύσιμα.
- Πρέπει να τηρούνται οι κανονισμοί σχετικά με την εκκένωση του αέρα..
- Ο απορροφητήρας πρέπει να τοποθετηθεί σε απόσταση τουλάχιστον 65 cm πάνω από την επιφάνεια μιας εστίας μαγειρέματος.
- Ο απορροφητήρας πρέπει να τοποθετείται σε μέγιστη απόσταση 75 εκ πάνω από την επιφάνεια μαγειρέματος μιας εστίας.



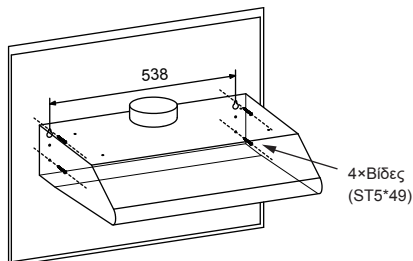
ΤΟΠΟΘΈΤΗΣΗ ΣΕ ΝΤΟΥΛΆΠΙ

- Ανοίξτε μία οπή διαμέτρου 130 mm και τέσσερις οπές διαμέτρου 3,5 mm, όπως φαίνεται στην παρακάτω εικόνα.
- **ΠΡΟΣΟΧΗ:** Αν ο απορροφητήρας σας λειτουργεί στη λειτουργία ανακυκλοφορίας αέρα, δεν είναι απαραίτητο να διανοίξετε οπή διαμέτρου 130 mm.
- Χρησιμοποιήστε τις 4 βίδες για να στερεώσετε τον απορροφητήρα σε ντουλάπι της κουζίνας. Βεβαιωθείτε ότι οι στερεώσεις σας έχουν τοποθετηθεί σωστά, εγκαθιστώντας προσωρινά τον απορροφητήρα. Αν είναι σωστές, εγκαταστήστε τη συσκευή στη θέση της. Σφίξτε τις βίδες, αν είναι απαραίτητο.



ΕΠΙΤΟΪΧΙΑ ΤΟΠΟΘΈΤΗΣΗ

- Για να τοποθετήσετε τη συσκευή στον τοίχο, διανοίξτε δύο οπές διαμέτρου 10 mm 538mm με την οπή εξαερισμού στο πάνω μέρος του απορροφητήρα στη μέση, όπως φαίνεται στην παρακάτω εικόνα. Βεβαιωθείτε ότι ο απορροφητήρας είναι ευθυγραμμισμένος ακριβώς πάνω από την εστία μαγειρέματος.
- Τοποθετήστε δύο ούπα (παρέχονται) στις οπές.
- Ισαγάγετε δύο βίδες στα δύο ανώτερα ούπα και σφίξτε τα, αφήνοντας 3 mm να προεξέχουν από τον τοίχο.
- Τερεώστε τον απορροφητήρα πάνω στις δύο βίδες και σημειώστε τις θέσεις των δύο βιδών στο κάτω μέρος.
- Αφαιρέστε τον απορροφητήρα και διανοίξτε τα δύο κάτω οπές για βίδες και εισαγάγετε τα ούπα.
- Στερεώστε τον απορροφητήρα στις άνω βίδες, εισαγάγετε τις κάτω βίδες και σφίξτε πλήρως όλες τις βίδες.








Πληροφορίες

Ο αέρας δεν πρέπει να εκκινώνεται μέσα σε αγωγό που χρησιμοποιείται για τα αέρια απαγωγής συσκευών που κάνουν φυσικό αέριο ή άλλα καύσιμα.

ΛΕΙΤΟΥΡΓΙΑ



	ΔΙΑΚΟΠΤΗΣ ΑΠΕΝΕΡΓΟΠΟΙΗΣΗΣ ΚΙΝΗΤΗΡΑ: Πιέστε αυτόν το διακόπτη για να διακόψετε τη λειτουργία του κινητήρα.
	ΔΙΑΚΟΠΤΗΣ ΤΑΧΥΤΗΤΑΣ: Πιέστε αυτόν το διακόπτη, για να λειτουργεί ο κινητήρας σε χαμηλή ταχύτητα.
	ΔΙΑΚΟΠΤΗΣ ΤΑΧΥΤΗΤΑΣ: Πιέστε αυτόν το διακόπτη, για να λειτουργεί ο κινητήρας σε μεσαία ταχύτητα.
	ΔΙΑΚΟΠΤΗΣ ΤΑΧΥΤΗΤΑΣ: Πιέστε αυτόν το διακόπτη, για να λειτουργεί ο κινητήρας σε υψηλή ταχύτητα.
	ΔΙΑΚΟΠΤΗΣ ΕΝΕΡΓΟΠΟΙΗΣΗΣ/ΑΠΕΝΕΡΓΟΠΟΙΗΣΗΣ ΦΩΤΙΣΜΟΥ: Πιέστε αυτόν το διακόπτη για να ανάψετε τα φώτα, και πιέστε τον πάλι για να τα απενεργοποιήσετε.

ΦΩΤΙΣΜΟΣ

ΑΝΤΙΚΑΤΑΣΤΑΣΗ ΤΟΥ ΛΑΜΠΗΤΗΡΑ

Απενεργοποιήστε τον απορροφητήρα και απομονώστε τον τραβώντας το βύσμα από την πρίζα ή απενεργοποιώντας την ασφάλεια.

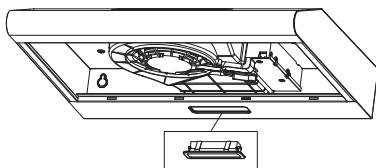
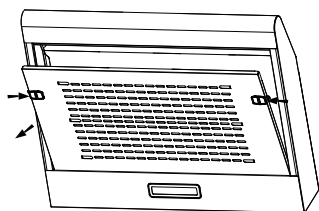
Αφαιρέστε το φίλτρο λίπους.


Αφαιρέστε το φως με μοχλό την εφαρμογή του από το σώμα της κουκούλας (αυτό μπορεί να απαιτεί πίεση ή δύναμη που πρέπει να εφαρμοστεί).

Αποσυνδέστε τη φίσα του φωτιστικού.

Αντικαταστήστε το φως με ένα νέο ίδιου τύπου, φροντίζοντας να συνδέσετε σωστά το φως με το καλώδιο φωτισμού.

Επανασυνδέστε την τροφοδοσία εισάγοντας το βύσμα ή ενεργοποιώντας την ασφάλεια.



	Μέγιστη ισχύς	Τάση	Εικόνα	Κάλυμμα λαμπτήρα	Κωδικός ILCOS D
Οι μονάδες LED χωρίζουν έρμα	1.5W	220V-240V	 Τετράγωνο/Διάμετρος: 33.2mmx120mm	/	DBS-1.5-H-33.2/120

ΚΑΘΑΡΙΣΜΟΣ ΚΑΙ ΣΥΝΤΗΡΗΣΗ

Πριν από τον καθαρισμό ή το σέρβις, αποσυνδέετε τον απορροφητήρα από την τροφοδοσία.

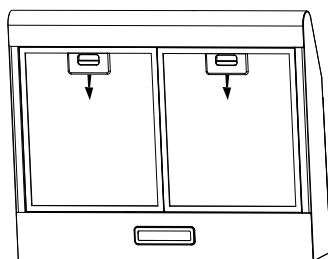
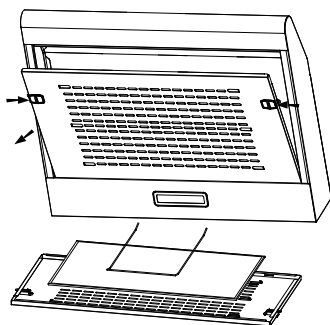
- Καθαρίζετε συχνά την επιφάνεια του απορροφητήρα. Για να καθαρίσετε τον απορροφητήρα χρησιμοποιείτε ήπιο σαπούνι ή απορρυπαντικό.
- Μη χρησιμοποιείτε σκληρά αλκαλικά ή λειαντικά.
- Αποφεύγετε τη χρήση σκόνης καθαρισμού ή υγρών για πλυντήρια πιάτων.
- Το φίλτρο που έχει λερωθεί από λίπος μπορεί να πλυθεί με ήπιο σαπούνι ή απορρυπαντικό. (Η βαριά συσσώρευση λίπους δεν μπορεί να καθαριστεί εύκολα και το φίλτρο ενδέχεται να χρειαστεί αντικατάσταση).
- Το φίλτρο άνθρακα δεν μπορεί να καθαριστεί και πρέπει να αντικαθίσταται τακτικά.

Πληροφορίες

Δεν πρέπει να εισέρχεται νερό καθαρισμού στον κινητήρα, τον διακόπτη ελέγχου και άλλα ηλεκτρικά μέρη.

Συνιστάται να καθαρίζετε το μεταλλικό φίλτρο ανά τρεις μήνες ακολουθώντας τις παρακάτω οδηγίες:

- Αφαιρέστε το μεταλλικό φίλτρο από τον απορροφητήρα και πλύντε το σε ένα διάλυμα νερού και ουδέτερου υγρού απορρυπαντικού, αφήνοντάς το να μουλιάσει.
- Ξεπλύντε το καλά με ζεστό νερό και αφήστε το να στεγνώσει.
- Το μεταλλικό φίλτρο ενδέχεται να αλλάξει χρώμα ύστερα από αρκετές πλύσεις. Αυτό δεν αποτελεί αιτία παραπόνου από τον πελάτη ή αντικατάστασης του μεταλλικού φίλτρου.

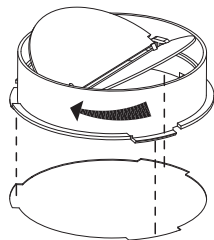


Πληροφορίες

Υπάρχει κίνδυνος πυρκαγιάς, αν ο καθαρισμός δεν πραγματοποιείται σύμφωνα με τις οδηγίες.

ΕΛΕΓΞΤΕ ΤΗΝ ΕΓΚΑΤΑΣΤΑΣΗ ΤΩΝ ΒΑΛΒΙΔΩΝ

Κρατήστε τη βαλβίδα ελέγχου με τα χέρια σας, ευθυγραμμίστε το κενό του κουτιού, βάλτε μέσα τη βαλβίδα ελέγχου και στη συνέχεια στρέψτε τη σε μια ορισμένη γωνία μέχρι να κολλήσουν τρεις γωνίες της βαλβίδας. Η εγκατάσταση έχει ολοκληρωθεί. Ο τύπος στερέωσης για εξωτερικούς οδηγούς αέρα και βαλβίδα αντεπιστροφής πρέπει να συμμορφώνεται με την απαίτηση του προτύπου IEC/EN 60335-1.

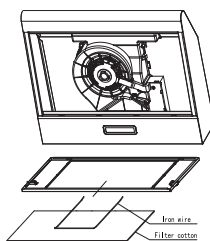
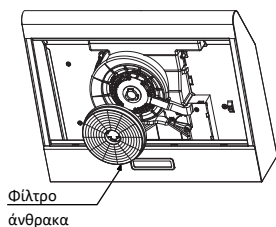


ΕΓΚΑΤΑΣΤΑΣΗ ΤΟΥ ΦΙΛΤΡΟΥ ΆΝΘΡΑΚΑ

- Αφαιρέστε το φίλτρο λίπους και αφαιρέστε το καλώδιο σιδήρου.
- Το βαμβάκι φίλτρου βρίσκεται στο μεταλλικό πλέγμα και στερεώνεται με σιδερένιο σύρμα.
- Αντικαταστήστε ένα νέο φίλτρο άνθρακα, ακολουθώντας την αντίστροφη διαδικασία για την επανεγκατάσταση.

Προειδοποίηση: το φίλτρο άνθρακα δεν μπορεί να πλυθεί ή να ανακυκλωθεί. Θα πρέπει να αντικατασταθεί ύστερα από περίπου 2-3 μήνες χρήσης.

Παρατήρηση: Το φίλτρο άνθρακα δεν παρέχεται με τη συσκευή. (προαιρετικά).



ΔΙΑΘΕΣΗ ΠΑΛΑΙΩΝ ΗΛΕΚΤΡΙΚΩΝ ΣΥΣΚΕΥΩΝ



Η ευρωπαϊκή οδηγία 2012/19/EK σχετικά με τα απόβλητα ειδών ηλεκτρικού και ηλεκτρονικού εξοπλισμού (ΑΗΗΕ) απαιτεί οι παλιές οικιακές ηλεκτρικές συσκευές να μην απορρίπτονται στα κανονικά αδιαχώριστα αστικά απόβλητα. Οι παλιές συσκευές πρέπει να συλλέγονται χωριστά για να βελτιστοποιείται το ποσοστό ανάκτησης και ανακύκλωσης των υλικών που τις αποτελούν και να μειώνονται οι δυσμενείς επιδράσεις στην υγεία και το περιβάλλον.

Το διαγραμμένο σύμβολο «τροχήλατος κάδος απορριμμάτων» στο προϊόν σας υπενθυμίζει την υποχρέωσή σας ότι, όταν πετάξετε τη συσκευή, πρέπει να συλλεχθεί χωριστά.

Οι καταναλωτές θα πρέπει να επικοινωνήσουν με μια τοπική αρχή ή έναν έμπορο λιανικής πώλησης για να λάβουν πληροφορίες σχετικά με την ορθή απόρριψη της συσκευής τους.

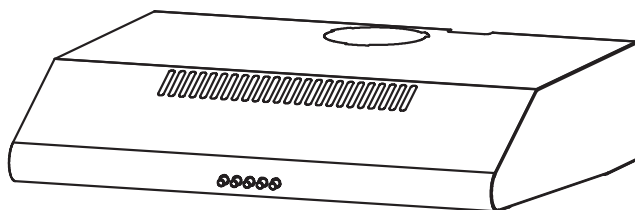
ΑΝΤΙΜΕΤΩΠΙΣΗ ΠΡΟΒΛΗΜΑΤΩΝ

Βλάβη	Αίτιο	Λύση
Το φως ανάβει, αλλά το μοτέρ της εξωτερικής μονάδας δεν λειτουργεί	Οι λεπίδες είναι μπλοκαρισμένες.	Ελέγξτε τις λεπίδες.
	Ο πυκνωτής είναι κατεστραμμένος.	Αντικαταστήστε τον πυκνωτή.
	Το μοτέρ έχει υποστεί ζημιά.	Αντικαταστήστε το μοτέρ.
	Η εσωτερική καλωδίωση του μοτέρ έχει κοπεί/αποσυνδεθεί. Κάποιες φορές δημιουργείται μια δυσάρεστη οσμή.	Αντικαταστήστε το μοτέρ.
Το φως και το μοτέρ δεν λειτουργούν	Εκτός από τα παραπάνω, ελέγξτε τα εξής:	
	Το φως δεν λειτουργεί.	Αντικαταστήστε τους λαμπτήρες.
	Το καλώδιο ρεύματος είναι χαλαρό.	Συνδέστε τα καλώδια σύμφωνα με το διάγραμμα ηλεκτρολογικής σύνδεσης.
Διαρροή λαδιού	Η έξοδος και η είσοδος εξαιρισμού δεν είναι σφραγισμένες.	Βγάλτε την πρίζα και σφραγίστε τις με κόλλα.
Κραδασμοί	Η λεπίδα, εάν έχει υποστεί ζημιά, μπορεί να προκαλεί κραδασμούς.	Αντικαταστήστε τη λεπίδα.
	Το μοτέρ δεν είναι καλά στερεωμένο.	Στερεώστε τον απορροφητήρα σφιχτά.
	Ο απορροφητήρας δεν είναι καλά στερεωμένος.	Στερεώστε τον απορροφητήρα με ασφάλεια.
Ανεπαρκής αναρρόφηση	Η απόσταση μεταξύ του απορροφητήρα και της εστίας είναι πολύ μεγάλη.	Ρυθμίστε ξανά την απόσταση.
	Υπερβολικός εξαιρισμός από ανοιχτές πόρτες ή παράθυρα.	Επιλέξτε ένα άλλο μέρος για να εγκαταστήσετε τη συσκευή ή κλείστε μερικές πόρτες/ παράθυρα.
Η συσκευή έχει πάρει κλίση.	Οι βίδες στερέωσης δεν είναι αρκετά σφιγμένες.	Σφίξτε τη βίδα στερέωσης και φροντίστε να είναι οριζόντια.
	Οι βίδες ανάρτησης δεν είναι αρκετά σφιγμένες.	Σφίξτε τη βίδα ανάρτησης και φροντίστε να είναι οριζόντια.



SPA

TRD6F49IX
TRD6F49W




CAMPANA EXTRACTORA

MANUAL DE INSTRUCCIONES

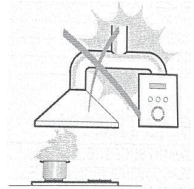
Lea este manual cuidadosamente antes de manipular el artefacto
Las imágenes de este manual son referenciales, prevalece el tipo de producto.

RECOMENDACIONES Y SUGERENCIAS

 Las instrucciones de uso son aplicables en varias versiones de este artefacto. Por consiguiente, puede encontrar descripciones de características individuales que no se aplican en su artefacto en específico.

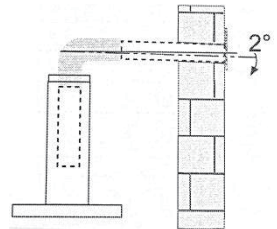
INSTALACIÓN

- El fabricante no se hace responsable por los daños resultantes de una instalación incorrecta o negligente.
- La distancia mínima entre la superficie de apoyo de los recipientes de cocción en la encimera y la parte más baja de la campana extractora. (Cuando la campana extractora esté ubicada sobre un artefacto a gas, la distancia deberá ser de al menos 65 cm. Si en las instrucciones de instalación de la encimera a gas se indica una distancia mayor, tome esas indicaciones en cuenta. La distancia de 650 mm puede acortarse en: partes no combustibles de campanas extractoras y partes que funcionan con voltaje de seguridad muy bajo, siempre y cuando estas partes no den acceso a partes electrificadas si se deforman ;)
- Verifique que el voltaje de la red corresponda con la indicada en la placa de datos de la campana.
- Para los artefactos de Clase I, verifique que el suministro eléctrico doméstico garantice una conexión a tierra correcta.
- Conecte el extractor a la salida de humos a través de un tubo de 120mm de diámetro mínimo. El recorrido de la chimenea debe ser lo más corto posible.
- El aire no debe descargarse en un ducto de humos utilizado para expulsar los humos de los artefactos a gas u otros combustibles.
- Si la campana se utiliza junto con artefactos no eléctricos (por ejemplo, artefactos a gas), debe garantizarse una buena ventilación en la cocina para evitar el reflujo de los gases de escape. La cocina debe tener una vía de salida que se comunique directamente con el ambiente exterior, de esta se garantizará la entrada de aire limpio.
- Cuando la campana extractora funcione junto a artefactos no eléctricos, la presión negativa en la cocina no debe exceder los 0,04 mbar para evitar que los humos regresen a la cocina por la campana extractora.
- Si el cable de alimentación está dañado, debe ser reemplazado por el fabricante, su agente de servicio u otra persona calificada equivalente, para evitar riesgos.
- Deben cumplirse las normativas referentes a la descarga de aire.



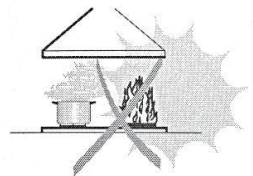
USO

- La campana extractora está diseñada solo para uso doméstico, no es apta para barbacoas, asadores y otros fines comerciales.
- Nunca utilice la campana para otros fines que no sean para los que ha sido diseñada.
- Durante el uso de la campana, nunca deje llamas altas y abiertas debajo del artefacto.
- Ajuste la intensidad de la llama para dirigirla solo hacia el fondo de la sartén, asegurándose de que no sobresalga por los lados.
- Las freidoras deben ser supervisadas continuamente durante su uso: el aceite sobrecalentado puede iniciar llamas de fuego.
- No prenda fuego debajo de la campana extractora; existe peligro de incendio.
- Este aparato puede ser manipulado por niños de 8 años o más y personas con capacidades físicas, sensoriales o mentales reducidas o sin experiencia y conocimiento si se les ha dado supervisión o instrucciones sobre el uso del aparato de manera segura y entienden los peligros involucrados
- Los niños deben ser vigilados para asegurarse de que no jueguen con el aparato.
- La limpieza y el mantenimiento no deben ser realizados por niños sin supervisión.
- "PRECAUCIÓN: Las partes accesibles pueden calentarse cuando se usan con artefactos de cocina".




MANTENIMIENTO

- La campana extractora y el filtro deben limpiarse con frecuencia de acuerdo a las instrucciones.
- Apague o desenchufe el artefacto de la red eléctrica antes de llevar a cabo cualquier trabajo de mantenimiento.
- Limpie y/o reemplace los filtros en la fecha indicada (peligro de incendio).
- Limpie la campana con un paño húmedo y un detergente líquido neutro.
- El artefacto utiliza como máximo 4 placas de cocción.





El símbolo  en el embalaje indica que este producto no puede considerarse como un residuo doméstico. Por consiguiente, será llevado al punto de recolección correspondiente para el reciclaje posterior de artefactos eléctricos y electrónicos. Al asegurarse de que este producto sea desechado correctamente, usted ayudará a evitar potenciales consecuencias negativas para el medioambiente y la salud humana, que podría ser causada por el manejo inapropiado de los residuos domésticos. Para obtener más detalles sobre el reciclaje de este producto, comuníquese con las autoridades municipales de su ciudad local, el servicio de disposición de desechos domésticos o la tienda donde compró el producto.

PARÁMETROS PRINCIPALES

Voltaje y frecuencia nominales 220-240 V ~ 50 Hz

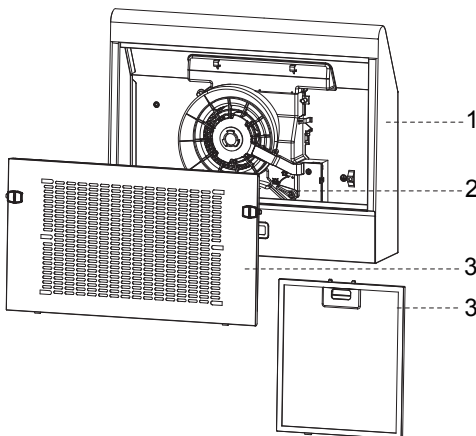
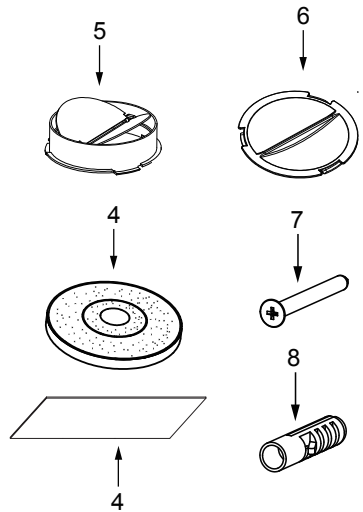
Potencia de entrada del motor: 38 W

En determinadas circunstancias, los aparatos eléctricos pueden representar un peligro.

COMPONENTES

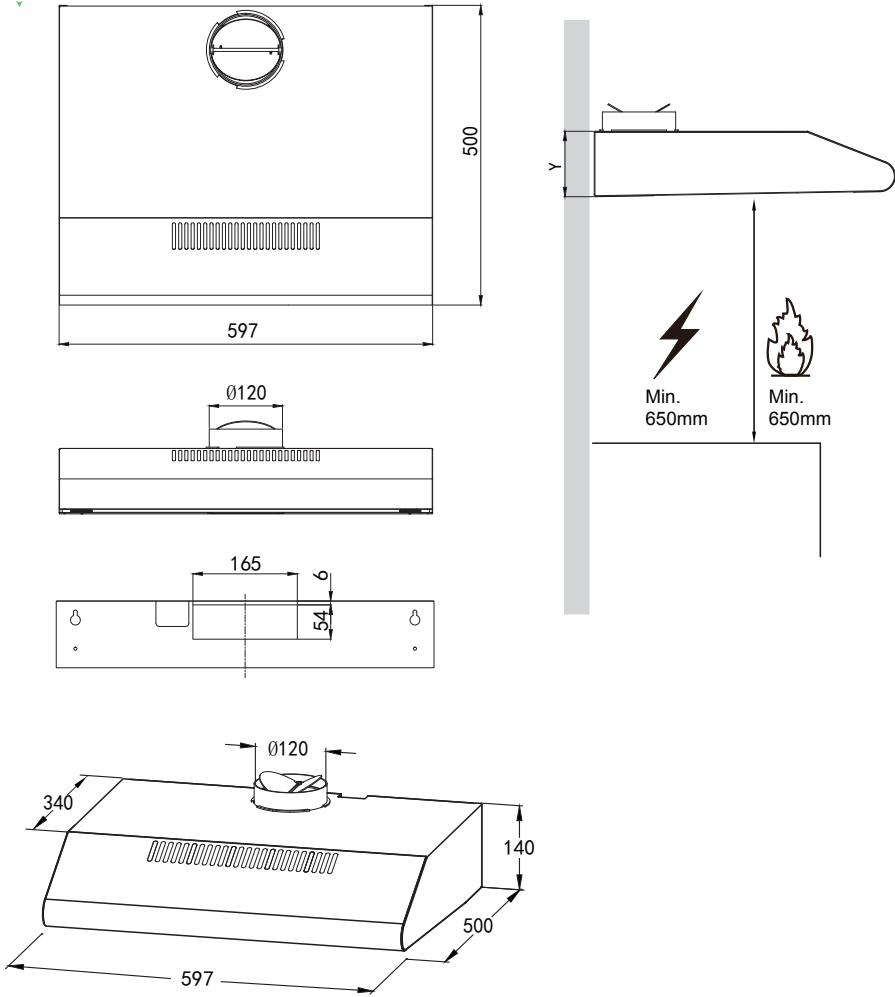
Ref.	Cantidad	Componentes del Producto
1	1	Cuerpo principal
2	1	Perilla de ventilación
3	1	Conjunto de filtro (opcional 2 o 3)

Ref.	Cantidad	Componentes de Instalación
4	1	Filtro de carbón (opcional)
5	1	La válvula de retención
6	1	Tapa de salida de aire
7	4	Tornillos de 5 mm x 49 mm
8	4	Tacos de pared de plástico



MEDICIÓN

unidad: mm

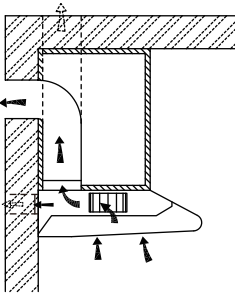


INSTALACIÓN

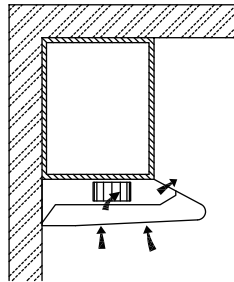
PERFORACIÓN DE PARED Y FIJACIÓN DE SOPORTES

- Lea las instrucciones atentamente.
- Desembale la campana del extractor y verifique que todas las funciones estén funcionando. Asegúrese de que el voltaje (V) y la frecuencia (Hz) indicados en la placa de serie coincidan con el voltaje y la frecuencia en el sitio de instalación.
- Verifique que el área detrás de la superficie de instalación a taladrar esté libre de cables eléctricos o tuberías, etc.
- Las superficies de acero inoxidable y vidrio de la campana del extractor se dañan muy fácilmente durante la instalación si se rozan o golpean con herramientas. Tenga cuidado de proteger las superficies durante la instalación.
- Proteja la superficie de la cubierta inferior con cartón o similar para evitar que se produzcan daños mientras se instala la campana del extractor de la pared arriba.
- El fabricante no será responsable por el incumplimiento de todas las normas de seguridad vigentes para el funcionamiento correcto y normal de las piezas eléctricas.

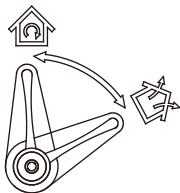
Seleccione un modo de ventilación:



Modo de extracción de aire



Modo de recirculación

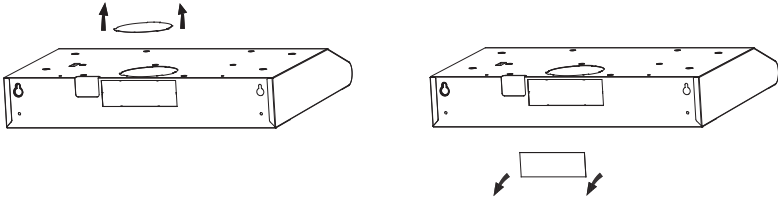


Posición de la perilla de ventilación

	Modo de extracción de aire: Girar la perilla de ventilación aquí significa ventilación afuera
	Modo de circulación de aire: Girar la perilla de ventilación aquí significa recirculación

Información

- Se necesita suficiente aire para una combustión adecuada y el agotamiento de los gases a través de la chimenea del equipo de combustión de combustible para evitar que vuelva a dibujarse. Los ventiladores sin conductos siempre ventilarse al aire libre.
- Al evaluar la presión del aire, se debe tener en cuenta todo el sistema de ventilación en la casa/apartamento, por ejemplo, en placas y/o cocina de gas esta regla no se aplica.
- Se deben observar las regulaciones gubernamentales para el transporte de aire de escape. Si la campana extractora se utiliza en modo de circulación de aire con filtro de carbón activado, no existen restricciones de funcionamiento.
- Si elige el modo de extracción de aire, existen dos métodos de ventilación, que incluyen la "ventilación horizontal" y la "ventilación vertical". Utilice la herramienta para quitar la cubierta antes de usarla e instale la válvula de retención en el orificio.
- La válvula de retención de aire cuadrada para ventilación horizontal no se suministra.



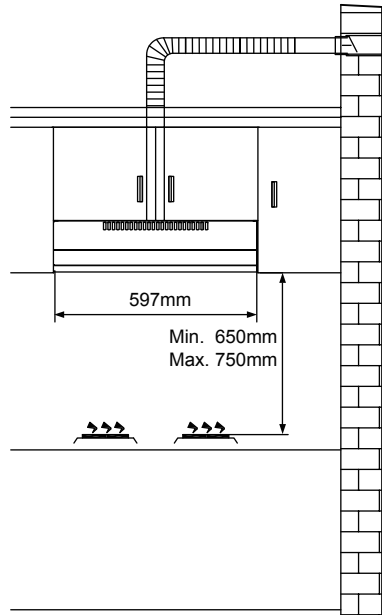
Preparación de la instalación:

Asegúrese de que la energía se haya apagado antes de comenzar esta instalación. El enchufe debe ensamblarse en lugares fáciles de arrastrar e insertar.

Para instalar esta campana necesitará dos asistentes. Necesitará las siguientes herramientas y material para completar esta instalación.

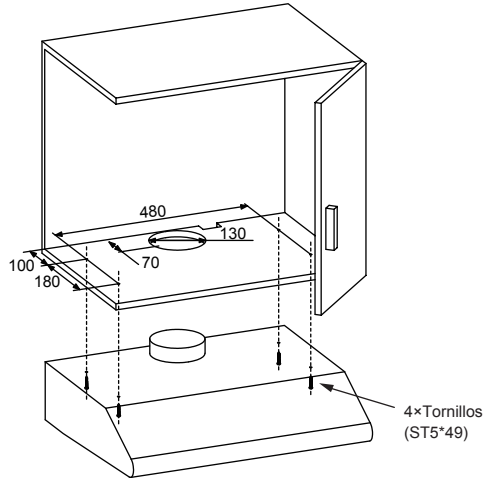
Herramientas que necesitará:

- Taladro apropiado para su pared
- Destornillador Phillips
- Cinta métrica
- Sierra de mano o sierra caladora
- El trabajo de instalación y el cableado eléctrico deben ser realizados por personal cualificado de acuerdo con todos los códigos y estándares aplicables, incluyendo la construcción contra incendios.
- No descargue el aire de escape en una chimenea de otros aparatos que queman gas u otros combustibles.
- Deben cumplirse los reglamentos relativos a la descarga de aire.
- La campana extractora debe colocarse a una distancia mínima de 65 cm por encima de la superficie de cocción de una placa.
- La campana extractora debe colocarse a una distancia máxima de 75 cm por encima de la superficie de cocción de una placa.



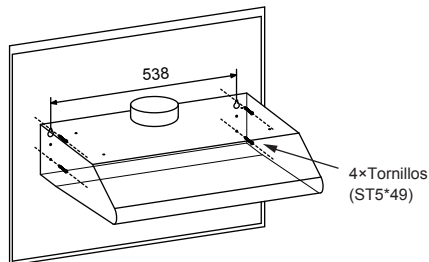
INSTALACIÓN DE MONTAJE DEL ARMARIO

- Taladre un orificio de 130 mm de diámetro y cuatro de 3,5 mm de diámetro como se muestra en la imagen de abajo.
- **ATENCIÓN:** Si su campana extractora funciona en el modo de circulación de aire, no es necesario taladrar un orificio de 130 mm de diámetro.
- Use los 4 tornillos para fijar la campana extractora al armario de la cocina. Verifique que sus fijaciones estén ubicadas correctamente, ajustando temporalmente la campana extractora. Si es correcto, ajuste la unidad en su posición. Apriete los tornillos si es necesario.



INSTALACIÓN DE MONTAJE EN LA PARED

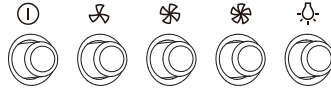
- Para montar en la pared, taladre dos orificios de 10 mm de diámetro, 538/696 mm, con el orificio de ventilación en la parte superior de la campana extractora, en el centro, como se muestra en la imagen de abajo. Asegúrese de que la campana esté alineada directamente sobre la placa.
- Inserte dos tapones de pared de plástico (suministrados) en los agujeros.
- Inserte dos tornillos en los dos tapones de plástico superiores y apriételos dejando 3 mm sobresaliendo de la pared.
- Monte la campana extractora en los dos tornillos y marque las dos posiciones inferiores de los tornillos.
- Retire la campana y taladre los dos orificios de los tornillos inferiores e inserte los enchufes de pared de plástico.
- Monte la campana en los tornillos superiores, inserte los tornillos inferiores y apriete por completo todos los tornillos.








Información

El aire no debe descargarse en un conducto de humos que se utiliza para expulsar los humos de aparatos que queman gas u otros combustibles.

USO

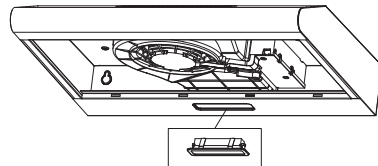
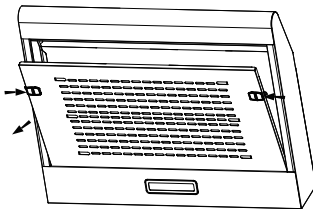



	INTERRUPTOR DE APAGADO DEL MOTOR: Presione este interruptor para detener el funcionamiento del motor.
	INTERRUPTOR DE VELOCIDAD: Presione este interruptor, el motor funciona a BAJA velocidad.
	INTERRUPTOR DE VELOCIDAD: Presione este interruptor, el motor funciona a velocidad MEDIA.
	INTERRUPTOR DE VELOCIDAD: Presione este interruptor, el motor funciona a ALTA velocidad.
	INTERRUPTOR DE ILUMINACIÓN ON/OFF: Presione este interruptor para encender las luces y presione nuevamente para apagarlas.

ILUMINACIÓN

REEMPLAZO DE LUZ

- Apague la campana extractora y aislela desenchufando el enchufe de red o desconectando el fusible.
- Retire el filtro de grasa.
- Retire la luz haciendo palanca en su accesorio del cuerpo de la campana (esto puede requerir presión o fuerza a aplicar).
- Desconecte el conector de la luz.
- Reemplace la luz por una nueva del mismo tipo, asegurándose de conectar la luz con el cable de luz correctamente.
- Vuelva a conectar la alimentación insertando el enchufe de red o activando el fusible.



	Potencia máx.	Voltaje	Imagen	Tapa de Lámpara	ILCOS D código
Módulos LED con balastro propio	1.5W	220V-240V	 Cuadrado / Diámetro: 33,2mm x 120mm	/	DBS-1.5-H-33.2/120

LIMPIEZA Y MANTENIMIENTO

Desconecte la campana extractora del suministro de energía antes de limpiarla o realizarle mantenimiento.

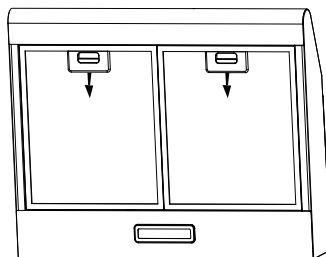
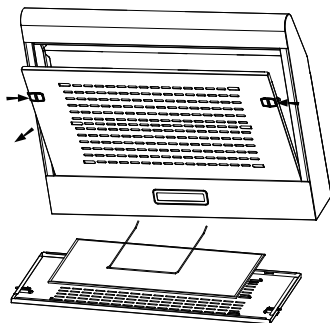
- Limpie la superficie de la campana con frecuencia. Utilice jabón o detergente suave para limpiar la campana.
- No utilice álcalis fuertes ni abrasivos.
- Evite el uso de productos abrasivos o compuestos para lavavajillas.
- El filtro de grasa puede lavarse con jabón o detergente suave. (Es posible que la acumulación pesada de grasa no se limpie fácilmente y es posible que sea necesario reemplazar el filtro).
- El filtro de carbón no se puede limpiar y debe reemplazarse periódicamente.

Información

El agua de limpieza no debe entrar en el motor, el interruptor de control, etc. en las piezas eléctricas.

Es recomendable limpiar el filtro metálico cada tres meses siguiendo las siguientes instrucciones:

- Retire el filtro metálico de la campana extractora y lávelo en una solución de agua y detergente líquido neutro, dejándolo en remojo.
- Enjuague bien con agua tibia y déjelo secar.
- El filtro metálico puede alterar su color después de varios lavados. Esto no es motivo de queja del cliente ni de sustitución del filtro metálico.

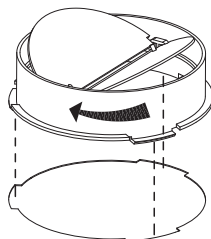


Información

Existe riesgo de incendio si la limpieza no se realiza según las instrucciones.

INSTALACIÓN DE LA VÁLVULA DE RETENCIÓN

Sujete la válvula de retención con las manos, alinee el espacio de la caja, coloque la válvula de retención y luego gírela hasta cierto ángulo hasta que tres ángulos de la válvula queden atrapados. La instalación está completa. El tipo de fijación para las guías de aire externas y la válvula de retención debe cumplir con los requisitos de la norma IEC/EN 60335-1.

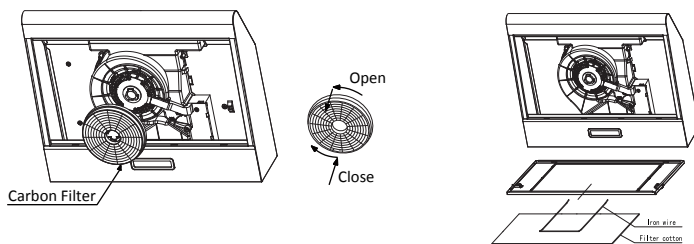


INSTALACIÓN DEL FILTRO DE CARBÓN

- Retire el filtro de grasa y retire el alambre de hierro.
- El filtro de algodón está ubicado sobre la malla metálica y fijado mediante alambre de hierro.
- Reemplace un filtro de algodón nuevo, aplique el procedimiento inverso para la reinstalación.

Advertencia: Debe reemplazarse después de aproximadamente 2-3 meses de uso.

Observación: El filtro de algodón no se suministra con su electrodoméstico (opcional).



DISPOSICIÓN



La directiva europea 2012/19/UE sobre residuos de artefactos eléctricos y electrónicos (RAEE) exige que los artefactos eléctricos domésticos antiguos no sean desechados junto a otros residuos municipales comunes sin antes clasificarlos. Los artefactos antiguos deben recolectarse por separado para optimizar la recuperación y el reciclaje de los materiales que contienen y reducir el impacto en la salud humana y el medio ambiente.

El símbolo de "ciclo de reciclaje" tachado en el producto le recuerda su obligación, para que cuando deseche el artefacto, este sea separado según su categoría.

Los consumidores deben contactar a las autoridades municipales locales o algún minorista para obtener información sobre la disposición correcta de su artefacto antiguo.

SOLUCIÓN DE PROBLEMAS

Fallo	Causa	Solución
Luz encendida, pero el motor no funciona	Las cuchillas están bloqueadas.	Verifique las cuchillas.
	El condensador está dañado.	Reemplace el condensador.
	El motor está dañado.	Reemplace el motor.
	El cableado interno del motor está cortado/ desconectado. Puede producirse un olor desagradable.	Reemplace el motor.
Tanto la luz como el motor no funcionan	Aparte de lo indicado anteriormente, verifique lo siguiente:	
	Luz dañada.	Reemplazo de las luces.
	Cable de alimentación suelto.	Conecte los cables según el diagrama eléctrico.
Fuga de aceite	La salida y la entrada de ventilación de aire no están lo suficientemente selladas.	Quite la salida y selle con pegamento.
Vibración	La turbina, si está dañada, puede provocar vibraciones.	Reemplace la turbina
	El motor no está bien asegurado.	Asegure el motor firmemente.
	La campana extractora no está bien fijada.	Fijación de la campana extractora.
Succión insuficiente	La distancia entre la campana extractora y la placa de cocción es demasiado amplia.	Reajuste la distancia.
	Excesiva ventilación por puertas o ventanas abiertas.	Elija un nuevo lugar para instalar el artefacto o cierre algunas puertas / ventanas.
El artefacto se inclina	Los tornillos de fijación no están lo suficientemente ajustados.	Ajuste el tornillo de fijación y déjelo en posición horizontal.
	Los tornillos para colgar el artefacto no están lo suficientemente ajustados	Apriete el tornillo de suspensión y colóquelo en posición horizontal.