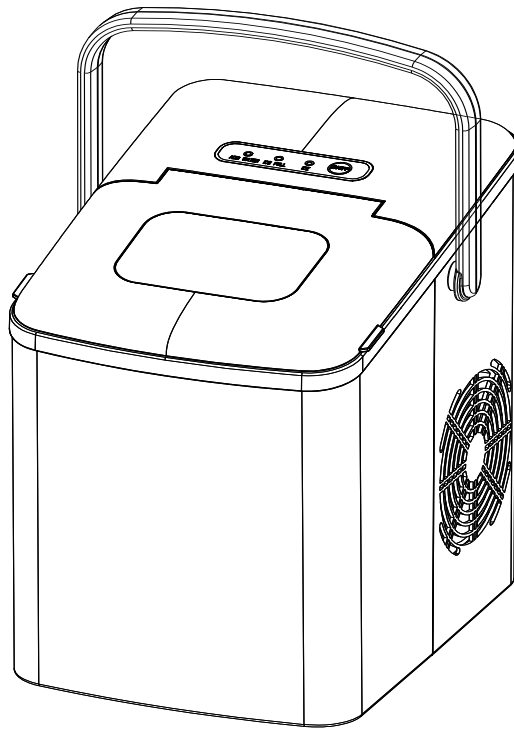




VOX
ELECTRONICS

ENG

ICE MAKER INSTRUCTION MANUAL



EM2101

Read this manual carefully before use and save it for future reference

IMPORTANT SAFETY INSTRUCTIONS

To reduce the risk of fire, explosion, electric shock, or injuries when using your ice maker, follow these important safety instructions:

1. Before use check if the voltage power corresponds to the one shown on the appliance nameplate.
2. Do not remove any safety, warning, or product information labels from your ice maker.
3. Plug the ice maker into an exclusive grounded power outlet. No other appliance should be plugged into the same outlet. Be sure that the plug is fully inserted into the receptacle.
4. This appliance must be grounded. It is equipped with a power cord having a grounding plug. The plug must be plugged into an outlet that is properly installed and grounded.
5. Avoid the use of an extension cord because it may overheat and cause a risk of fire. However, if it is necessary to use an extension cord:
 - 1) Use only extension cord with grounding plug.
 - 2) The marked rating of an extension cord must be equal to or greater than the rating of this appliance.
 - 3) It should be positioned so that it does not hang over the counter or tabletop where it can be pulled on by children intentionally.
6. Do not operate the appliance with a damage cord or plug or after the appliance malfunction or has been damaged in any manner. Return the appliance to the nearest authorized service facility for examination, repair or adjustment.
7. If the supply cord is damaged, it must be replaced by the manufacturer or its service agent or a similarly qualified person in order to avoid any hazard.
8. For appliances which use flammable insulation blowing gases, the instructions shall include information regarding disposal of the appliance.
9. Do not let cord hang over an edge of a table or counter.
10. Do not place on or near a hot gas or electric burner, or in a heated oven.
11. Place the power cord so that it cannot be pulled by children or cause a tripping hazard.
12. Place power cord so that it is not in contact with hot surfaces.
13. The use of attachment not recommended or sold by manufacturer may cause fire, electric shock or injury.
14. Do not touch the evaporator when using the ice maker or making ice to avoid suffering

from frostbite.

15. Do not immerse any part of the appliance in water.
16. To disconnect, turn any control to “OFF”, then remove the plug from the wall outlet.
17. Do not plug or unplug the appliance with wet hands.
18. Unplug the appliance before cleaning, maintaining and when not in use.
19. Do not use with water that is microbiologically unsafe or of unknown quality.
20. Do not clean the appliance with any flammable fluids. The fumes can create a fire hazard or explosion.
21. Do not overturn the ice maker. If the ice maker is overturned accidentally, make it stand steadily for 2 hours before power it on again.
22. If the ice maker is brought in from outside in wintertime, do not use it for a few hours, allow the unit to warm up to the room temperature before operating.
23. Never put flammable, explosive and corrosive articles into the ice maker.
24. Never use the ice maker when there is flammable gas leakage.
25. Never store or use gas and other flammable articles near the ice maker to avoid any fire.
26. Unplug the ice maker before moving it to avoid damaging the refrigerating system.
27. Do not attempt to disassemble, repair, modify, or replace any part of your product.
28. Children must not play with the appliance.
29. The appliance is not to be used by persons (including children) with reduced physical, sensory or mental capabilities, or lack of experience and knowledge, unless they have been given supervision or instruction.
30. This appliance can be used by children aged from 8 years and above and persons with reduced physical, sensory or mental capabilities or lack of experience and knowledge only if they have been given supervision or instruction concerning use of the appliance in a safe way and understand the hazards involved
31. Cleaning and user maintenance shall not be made by children without supervision.
32. Close supervision is necessary when any appliance is used by or near children.
33. Do not leave the appliance unattended while in use.
34. Do not use outdoors.
35. Do not use the appliance for other than intended use.
36. Please dispose the ice maker according to local regulators regarding disposal of the appliance as it uses flammable blowing gas and refrigerant.
37. WARNING: Fill with potable water only.
38. WARNING: Keep the ventilation openings in the appliance enclosure or in the built-in

structure clear of obstruction.


39. WARNING: Do not use mechanical devices or other means to accelerate the defrosting process, other than those recommended by the manufacturer.

40. WARNING: Do not damage the refrigerant circuit.

41. WARNING: Do not use electrical appliances inside the food storage compartments of the appliance, unless they are of the type recommended by the manufacturer.

42. Do not store explosive substances such as aerosol cans with a flammable propellant in this appliance.



43.  Warning: Risk of fire/flammable materials.

44. WARNING: When positioning the appliance, ensure the supply cord is not trapped or damaged.

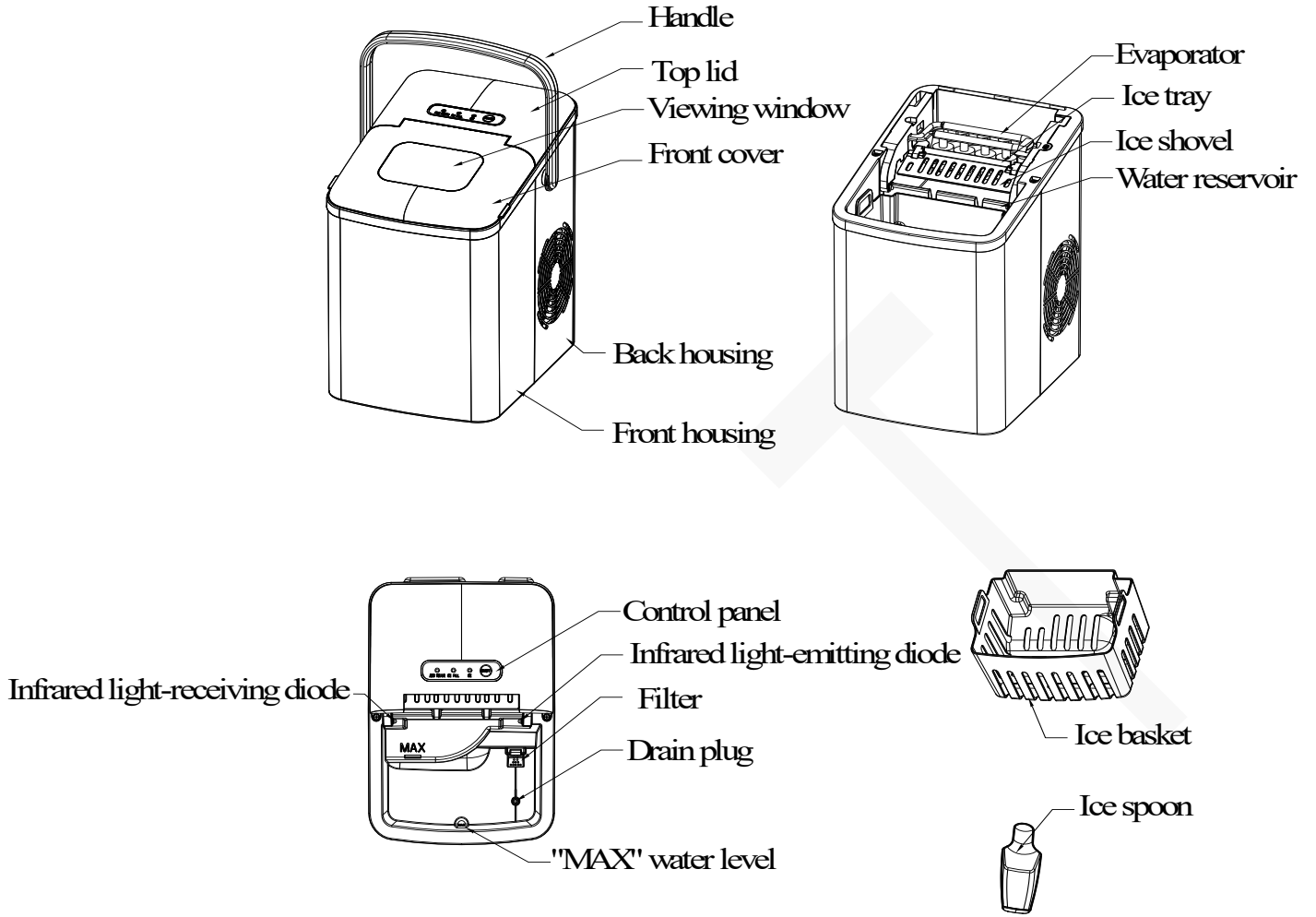
45. WARNING: Do not locate multiple portable socket-outlets or portable power supplies at the rear of the appliance.

46. This appliance is intended to be used in household and similar applications such as

- staff kitchen areas in shops, offices and other working environments;
- farm houses and by clients in hotels, motels and other residential type environments;
- bed and breakfast type environments;
- catering and similar non-retail applications.

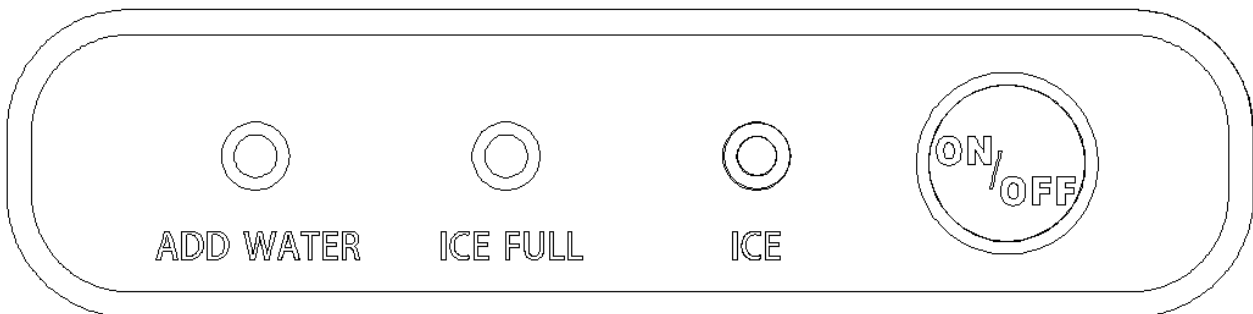
47. Save these instructions.

KNOW YOUR ICE MAKER



(Product may be subject to change without prior notice)

CONTROL PANEL



Key (with indicator)	Function
ON/OFF	Start or stop the appliance; Long press for cleaning;
ICE	Standby mode: “ICE” indicator blinks; Cleaning condition: “ICE” indicator blinks quicker; Working condition: “ICE” indicator lights solidly.
ICE FULL	“ICE FULL” indicator lights up when the ice basket is full.
ADD WATER	“ADD WATER” indicator lights up when the water reservoir is lack of water.

BEFORE FIRST USE

1. Unpack the appliance, then check and make sure that all the accessories including ice basket and ice scoop etc. are complete. Please contact the client service department if some accessories are missing.
2. Please follow the operation as below to install the handle well in position.
 - 1) Grasp both sides of the handle shown in arrows with hands and pull them outwards (see Fig.1).
 - 2) Make the handle align with the holes at the housing and release the hands, then insert the handle into the holes of housing (see Fig.2).
 - 3) Pull and make the handle be upright, and then pull both sides of the handle outwards by following the operation of Step 1). Check and make sure that the handle is positioned well at the holes of housing.
 - 4) Hold the center of handle and lift it upwards (see Fig.3), check and make sure that no abnormal condition can be found.

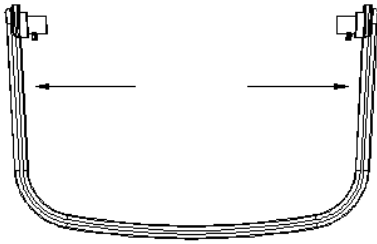


Fig.1

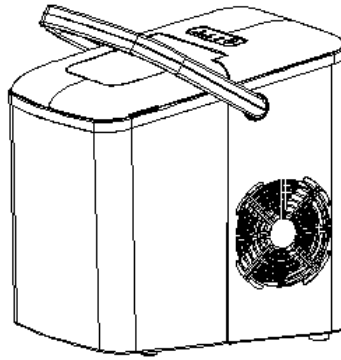


Fig.2

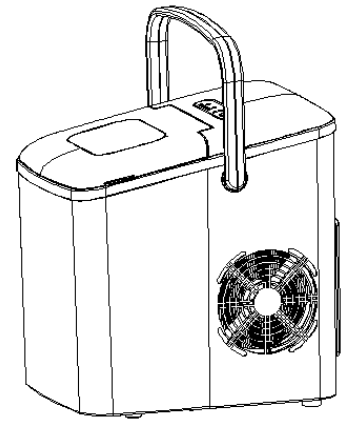


Fig.3

3. Make sure the ice maker is level and on a stable table or platform as to avoid malfunction.
4. The incline angle of the ice maker cabinet should not exceed 45° during transportation or use. Do not turn the ice maker upside down. Doing so could cause the compressor or refrigerating system to operate incorrectly. Please allow time for the fluids in the compressor to settle after the ice maker is moved or transported. Before using the ice maker for the first time, please wait for 2 hours after the unit has been leveled and positioned in the proper place.
5. The appliance must be placed on a dry and level surface with sufficient ventilation, far from heat sources such as ovens, heaters and corrosive gases. Leave about a 6-inch (15cm) clearance on all sides of the ice maker for proper ventilation.
6. Do not fill the water reservoir with hot water. This may damage the ice maker. It is best to fill the water reservoir with water of room temperature or lower.
7. Do not use the appliance in a very cold environment (lower than 5°C).
8. Clean the appliance before use by following instructions “**CLEANING AND MAINTENANCE**”.

USING YOUR ICE MAKER

1. Ensure that the drain plug at the bottom of the water reservoir is closed well.
 2. Plug the ice maker into the wall outlet, the “ICE” indicator blinks.
- NOTE:** Allow the ice maker to rest for 30 minutes before plugging if it has been moved.
3. Open the top lid and remove the ice basket.

4. Fill the water reservoir with drinking water.

NOTE: Do not fill above the MAX water level mark.

5. Replace the ice basket and close the top lid.

6. Press “ON/OFF” key and the “ICE” indicator lights solidly.

7. The ice-making cycle will last approximately 7-15 minutes, depending on the ambient temperature and water temperature.

8. The ice-making cycle starts with water being pumped into the ice tray situated below the evaporator. Over the next 7-15 minutes ice is formed on the evaporator. Once this has completed, the ice tray will tilt backwards and the remaining water in the ice tray is drained back into the water reservoir. The ice cubes are then dropped from the evaporator and pushed forward into the ice basket by the ice shovel. The ice tray will automatically move back into position under the evaporator and start the next cycle.

9. The “ICE FULL” indicator will light up when the ice basket is full and then the ice maker will stop the ice-making cycle automatically. Gently remove the ice from the ice basket with the ice scoop. About 5 seconds later, the ice maker will restart its ice making function automatically.

10. The “ADD WATER” indicator will light up when the water reservoir lacks water and the ice-making cycle will stop automatically. If so, remove the ice basket and add water to the water reservoir and then press “ON/OFF” key again to restart the ice-making cycle. The appliance will start working automatically after about 30 minutes if the operator forgets to restart the appliance after refilling it.

11. When you get your desired amount of ice, stop the ice making cycle by pressing the “ON/OFF” key and unplug the unit from the wall outlet.

12. Open the top lid and transfer the ice to a freezer.

13. Allow the ice maker to reach room temperature.

14. Suggest replacing the water every week. Please empty the water reservoir if the ice maker is not used for a long time.

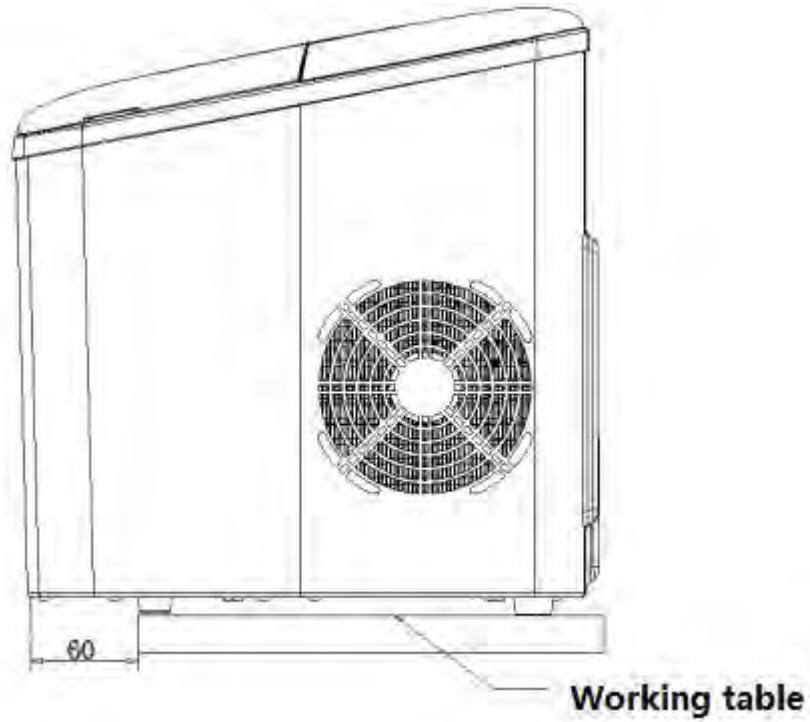
CLEANING AND MAINTENANCE

To keep your ice tasting fresh and your ice maker looking great, we recommend cleaning your ice maker once a week.

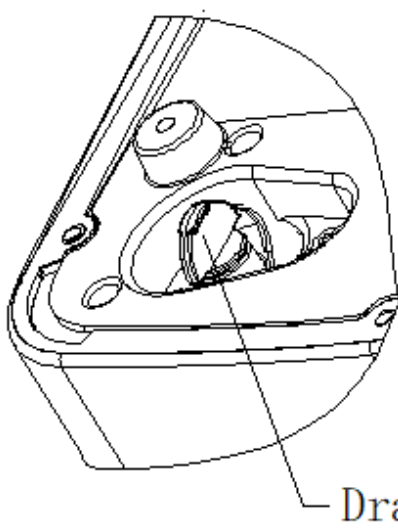
1. Stop the ice-making cycle by pressing the “ON/OFF” key, unplug the ice maker from the wall outlet and allow it to warm up to room temperature.
2. If residual water is found in the ice tray, gently push the ice tray back so that all water drains into the water reservoir.
3. Move the appliance forward to a place 60 mm away from the working table and open the drain plug to drain out excess water (see Fig.4, Fig.5 and Fig.6).
4. Remove the ice basket.
5. Clean the ice maker interior with a soft cloth soaked with warm water and vinegar, rinse with clean water and then drain all the water.
6. Replace the drain plug well in position. Wash the ice basket and ice scoop in warm soapy water. Rinse and dry.
7. Clean the exterior of the ice maker with a soft damp cloth. Use a mild dish washing soap, if necessary.

NOTE:

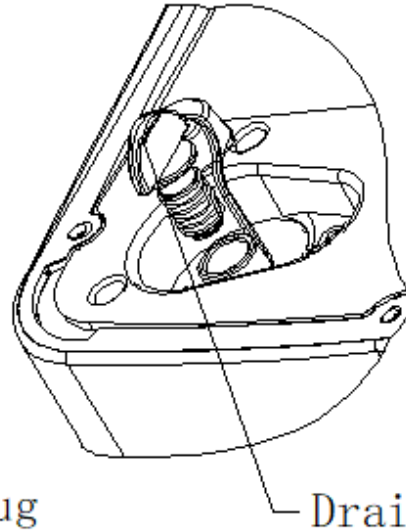
- 1) Do not use organic solvent, boiled water, detergent, strong acid and strong alkali etc. for cleaning.
- 2) Do not clean the evaporator.
8. Empty the water reservoir and dry it for storage if the ice maker is not used for a long time.



(Fig.4)



(Fig.5)



(Fig.6)

TROUBLESHOOTING

Problem	Possible causes	Solution
“ADD WATER” indicator turns on	<ol style="list-style-type: none"> 1. Low water level or lack of water. 2. The water screen at the bottom of water reservoir is blocked. 3. Pump malfunction. 	<ol style="list-style-type: none"> 1. Stop making ice, refill water and then press “ON/OFF” key to restart ice-making cycle. 2. Do cleaning. 3. Send it to the authorized service for repair.

<p>“ICE FULL” indicator lights up</p>	<ol style="list-style-type: none"> 1. Ice basket is full and the infrared light is blocked by the ice. 2. Infrared light-emitting diode & light-receiving diode do not work. 	<ol style="list-style-type: none"> 1. Remove the ice from ice basket. 2a. Wipe unknown objects on the infrared light-emitting diode & light-receiving diode and restart the ice maker. 2b. Call Customer Service if the infrared light-emitting diode & light-receiving diode still cannot work after wiping unknown objects on and restarting the ice maker.
<p>Ice collects together</p>	<p>Making ice takes too much time.</p>	<p>Stop making ice and restart the ice-making cycle after the ice melts.</p>
	<p>The water in the water reservoir is at too low temperature.</p>	<p>Fill the water reservoir with water ranges between 8°C and 25°C.</p>
<p>The ice-making cycle seems normal but no ice is produced</p>	<p>The ambient temperature or water temperature is too high.</p>	<p>Start the ice-making cycle at environment with an ambient temperature less than 32° C and fill the water reservoir with some cold water.</p>
	<p>Refrigerating system leaks.</p>	<p>Call customer service.</p>
	<p>Refrigerating system blocks.</p>	<p>Call customer service.</p>
<p>Poor ice-making result</p>	<ol style="list-style-type: none"> 1. Poor heat dissipation. 2. The water temperature is too high. 3. The ambient temperature is too high. 	<ol style="list-style-type: none"> 1. Leave a 15 cm clearance on all sides of the ice maker for proper ventilation. 2. Fill the water reservoir with water ranges between 8°C and 28°C. 3. Operate the ice maker at a environment with an ambient temperature between 10°C and 32°C.

<p>Water pump does not work or produces noise.</p>	<p>Water pump is damaged. The appliance has not been cleaned for a long time, which has resulted in the formation of mucoid substance at the water inlet of the water pump, so that the water-pumping is not smooth. There is air in the water pipe, so there will be resonance noise produced when pumping water.</p>	<p>Contact the after-sales department for replacing the water pump. The appliance should be cleaned in one to two weeks, and some neutral cleaning agents (such as detergent and soapy water etc.) can be added if necessary.</p>
--	--	---

TECHNICAL PARAMETERS

Model: EM2101

Applicable climate: ST/SN/N/T

Class: I

Power source: 220-240V/50-60Hz

Rated power: 120W

Refrigerant/Refrigerant amount: R600a/23g

Foaming agent: C₅H₁₀

Net weight: 8.3Kg

Housing: PP+SUS430

Unit size (D x W x H) : 310*230*325mm

ENVIRONMENT FRIENDLY DISPOSAL

