



VOX
ELECTRONICS

GBR

SRB

SVN

BIH

HRV

ESP

GRC

MKD

ALB

PRT

IMWH-GD202IX

OPERATING INSTRUCTIONS MICROWAVE OVEN

UPUTSTVO ZA UPOTREBU MIKROTALASNA RERNA

NAVODILA ZA UPORABO MIKROVALNA PEČICA

UPUTSTVO ZA UPOTREBU MIKROTALASNA RERNA

UPUTE ZA UPORABU MIKROVALNA PEČNICA

MANUAL DE USUARIO MICROONDAS

ΕΓΧΕΙΡΙΔΙΟ ΧΡΗΣΤΗ ΦΟΥΡΝΟΣ ΜΙΚΡΟΚΥΜΑΤΩΝ

УПАТСТВА ЗА РАКУВАЊЕ МИКРОБРАНОВА ПЕЧКА

MANUALI I PERDORUESIT FURRA MIKROVALORE

MANUAL DO USUÁRIO FORNO DE MICRO-ONDAS



IMWH-GD202IX

OPERATING INSTRUCTIONS MICROWAVE OVEN

Read these instructions carefully before using your oven, and keep it carefully.

If you follow the instructions, your oven will provide you with many years of good service.

SAVE THESE INSTRUCTIONS CAREFULLY

PRECAUTIONS TO AVOID POSSIBLE EXPOSURE TO EXCESSIVE MICROWAVE ENERGY

(a) Do not attempt to operate this oven with the door open since this can result in harmful exposure to microwave energy. It is important not to break or tamper with the safety interlocks.

(b) Do not place any object between the oven front face and the door or allow soil or cleaner residue to accumulate on sealing surfaces.

(c) **WARNING:** If the door or door seals are damaged, the oven must not be operated until it has been repaired by a competent person.

ADDENDUM

If the apparatus is not maintained in a good state of cleanliness, its surface could be degraded and affect the lifespan of the apparatus and lead to a dangerous situation.

Specifications

Model:	IMWH-GD202IX
Rated Voltage:	230V~50Hz
Rated Input Power(Microwave):	1250W
Rated Output Power(Microwave):	800W
Rated Input Power(Grill):	1000W
Oven Capacity:	20L
Turntable Diameter:	Ø245mm
External Dimensions:	595x343.5x388mm
Net Weight:	Approx. 15 kg

IMPORTANT SAFETY INSTRUCTIONS

WARNING

To reduce the risk of fire, electric shock, injury to persons or exposure to excessive microwave oven energy when using your appliance, follow basic precautions, including the following:

1. Warning: Liquids and other foods must not be heated in sealed containers since they are liable to explode.
2. Warning: It is hazardous for anyone other than a competent person to carry out any service or repair operation that involves the removal of a cover which gives protection against exposure to microwave energy.
3. This appliance can be used by children aged from 8 years and above and persons with reduced physical, sensory or mental capabilities or lack of experience and knowledge if they have been given supervision or instruction concerning use of the appliance in a safe way and understand the hazards involved. Children shall not play with the appliance. Cleaning and user maintenance shall not be made by children unless they are older than 8 and supervised.
4. Keep the appliance and its cord out of reach of children less than 8 years.
5. Only use utensils that are suitable for use in microwave ovens.
6. The oven should be cleaned regularly and any food deposits should be removed.
7. Read and follow the specific: "PRECAUTIONS TO AVOID POSSIBLE EXPOSURE TO EXCESSIVE MICROWAVE ENERGY".
8. When heating food in plastic or paper containers,

- keep an eye on the oven due to the possibility of ignition.
9. If smoke is emitted, switch off or unplug the appliance and keep the door closed in order to stifle any flames.
 10. Do not overcook food.
 11. Do not use the oven cavity for storage purposes.
Do not store items, such as bread, cookies, etc. inside the oven.
 12. Remove wire twist-ties and metal handles from paper or plastic containers/bags before placing them in the oven.
 13. Install or locate this oven only in accordance with the installation instructions provided.
 14. Eggs in their shell and whole hard-boiled eggs should not be heated in microwave ovens since they may explode, even after microwave heating has ended.
 15. This appliance is intended to be used in household and similar applications such as:
 - staff kitchen areas in shops, offices and other working environments;
 - by clients in hotels, motels and other residential type environments;
 - farm houses;
 - bed and breakfast type environments.
 16. If the supply cord is damaged, it must be replaced by the manufacturer, its service agent or similarly qualified persons in order to avoid a hazard.
 17. Do not store or use this appliance outdoors.
 18. Do not use this oven near water, in a wet basement or near a swimming pool.
 19. The temperature of accessible surfaces may be high when the appliance is operating. The surfaces are liable to get hot during use. Keep cord away from heated

- surface, and do not cover any vents on the oven.
20. Do not let cord hang over edge of table or counter.
 21. Failure to maintain the oven in a clean condition could lead to deterioration of the surface that could adversely affect the life of the appliance and possibly result in a hazardous situation.
 22. The contents of feeding bottles and baby food jars shall be stirred or shaken and the temperature checked before consumption, in order to avoid burns.
 23. Microwave heating of beverages can result in delayed eruptive boiling, therefore care must be taken when handling the container.
 24. The appliance is not intended for use by persons (including children) with reduced physical, sensory or mental capabilities, or lack of experience and knowledge, unless they have been given supervision or instruction concerning use of the appliance by a person responsible for their safety.
 25. Children should be supervised to ensure that they do not play with the appliance.
 26. The appliances are not intended to be operated by means of an external timer or separate remote-control system.
 27. Accessible parts may become hot during use. Young children should be kept away.
 28. Steam cleaner is not to be used.
 29. During use the appliance becomes hot. Care should be taken to avoid touching heating elements inside the oven.
 30. Only use the temperature probe recommended for this oven. (for ovens provided with a facility to use a

temperature-sensing probe.)

31. **WARNING:** The appliance and its accessible parts become hot during use. Care should be taken to avoid touching heating elements. Children less than 8 years of age shall be kept away unless continuously supervised.

32. The microwave oven must be operated with the decorative door open.(for ovens with a decorative door.)

33.Surface of a storage drawer can get hot.

34.The microwave oven is intended for heating food and beverages.Drying of food or clothing and heating of warming pads,slippers,sponges,damp cloth and similar may lead to risk of injury,ignition or fire.

READ CAREFULLY AND KEEP FOR FUTURE REFERENCE

To Reduce the Risk of Injury to Persons Grounding Installation

DANGER

Electric Shock Hazard
Touching some of the internal components can cause serious personal injury or death. Do not disassemble this appliance.

WARNING

Electric Shock Hazard Improper use of the grounding can result in electric shock. Do not plug into an outlet until appliance is properly installed and grounded.

This appliance must be grounded. In the event of an electrical short circuit, grounding reduces the risk of electric shock by providing an escape wire for the electric current. This appliance is equipped with a cord having a grounding wire with a grounding plug. The plug must be plugged into an outlet that is properly installed and grounded.

Consult a qualified electrician or serviceman if the grounding instructions are not completely understood or if doubt exists as to whether the appliance is properly grounded. If it is necessary to use an extension cord, use only a 3-wire extension cord.

1. A short power-supply cord is provided to reduce the risks resulting from becoming entangled in or tripping over a longer cord.
2. If a long cord set or extension cord is used:
 - 1) The marked electrical rating of the cord set or extension cord should be at least as great as the electrical rating of the appliance.
 - 2) The extension cord must be a grounding-type 3-wire cord.
 - 3) The long cord should be arranged so that it will not drape over the counter top or tabletop where it can be pulled on by children or tripped over unintentionally.

CLEANING

Be sure to unplug the appliance from the power supply.

1. Clean the cavity of the oven after using with a slightly damp cloth.
2. Clean the accessories in the usual way in soapy water.
3. The door frame and seal and neighbouring parts must be cleaned carefully with a damp cloth when they are dirty.
4. Do not use harsh abrasive cleaners or sharp metal scrapers to clean the oven door glass since they can scratch the surface, which may result in shattering of the glass.
5. Cleaning Tip---For easier cleaning of the cavity walls that the food cooked can touch: Place half a lemon in a bowl, add 300ml (1/2 pint) water and heat on 100% microwave power for 10 minutes. Wipe the oven clean using a soft, dry cloth.

UTENSILS

CAUTION

Personal Injury Hazard

It is hazardous for anyone other than a competent person to carry out any service or repair operation that involves the removal of a cover which gives protection against exposure to microwave energy.

See the instructions on "Materials you can use in microwave oven or to be avoided in microwave oven."

There may be certain non-metallic utensils that are not safe to use for microwaving. If in doubt, you can test the utensil in question following the procedure below.

Utensil Test:

1. Fill a microwave-safe container with 1 cup of cold water (250ml) along with the utensil in question.
2. Cook on maximum power for 1 minute.
3. Carefully feel the utensil. If the empty utensil is warm, do not use it for microwave cooking.
4. Do not exceed 1 minute cooking time.

Materials you can use in microwave oven

Utensils	Remarks
Aluminum foil	Shielding only. Small smooth pieces can be used to cover thin parts of meat or poultry to prevent overcooking. Arcing can occur if foil is too close to oven walls. The foil should be at least 1 inch (2.5cm) away from oven walls.
Browning dish	Follow manufacturer's instructions. The bottom of browning dish must be at least 3/16 inch (5mm) above the turntable. Incorrect usage may cause the turntable to break.
Dinnerware	Microwave-safe only. Follow manufacturer's instructions. Do not use cracked or chipped dishes.
Glass jars	Always remove lid. Use only to heat food until just warm. Most glass jars are not heat resistant and may break.
Glassware	Heat-resistant oven glassware only. Make sure there is no metallic trim. Do not use cracked or chipped dishes.
Oven cooking bags	Follow manufacturer's instructions. Do not close with metal tie. Make slits to allow steam to escape.
Paper plates and cups	Use for short-term cooking/warming only. Do not leave oven unattended while cooking.
Paper towels	Use to cover food for reheating and absorbing fat. Use with supervision for a short-term cooking only.
Parchment paper	Use as a cover to prevent splattering or a wrap for steaming.
Plastic	Microwave-safe only. Follow the manufacturer's instructions. Should be labeled "Microwave Safe". Some plastic containers soften, as the food inside gets hot. "Boiling bags" and tightly closed plastic bags should be slit, pierced or vented as directed by package.
Plastic wrap	Microwave-safe only. Use to cover food during cooking to retain moisture. Do not allow plastic wrap to touch food.
Thermometers	Microwave-safe only (meat and candy thermometers).
Wax paper	Use as a cover to prevent splattering and retain moisture.

Materials to be avoided in microwave oven

Utensils	Remarks
Aluminum tray	May cause arcing. Transfer food into microwave-safe dish.
Food carton with metal handle	May cause arcing. Transfer food into microwave-safe dish.
Metal or metal-trimmed utensils	Metal shields the food from microwave energy. Metal trim may cause arcing.
Metal twist ties	May cause arcing and could cause a fire in the oven.
Paper bags	May cause a fire in the oven.
Plastic foam	Plastic foam may melt or contaminate the liquid inside when exposed to high temperature.
Wood	Wood will dry out when used in the microwave oven and may split or crack.

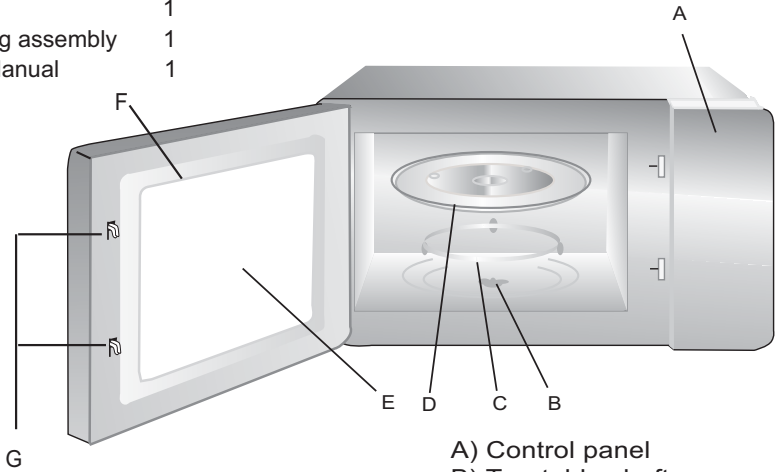
SETTING UP YOUR OVEN

Names of Oven Parts and Accessories

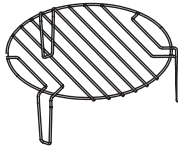
Remove the oven and all materials from the carton and oven cavity.

Your oven comes with the following accessories:

- Glass tray 1
- Turntable ring assembly 1
- Instruction Manual 1

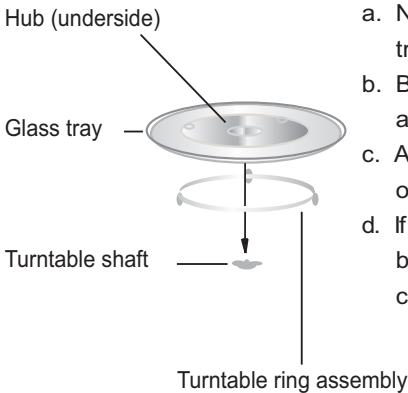


- A) Control panel
- B) Turntable shaft
- C) Turntable ring assembly
- D) Glass tray
- E) Observation window
- F) Door assembly
- G) Safety interlock system



Grill Rack(Only be used in grill function and be placed on the glass tray)

Turntable Installation



- a. Never place the glass tray upside down. The glass tray should never be restricted.
- b. Both glass tray and turntable ring assembly must always be used during cooking.
- c. All food and containers of food are always placed on the glass tray for cooking.
- d. If glass tray or turntable ring assembly cracks or breaks, contact your nearest authorized service center.

Installation and connection

1. This appliance is only intended for domestic use.
2. This oven is intended for built-in use only. It is not intended for counter-top use or for use inside a cupboard.
3. Please observe the special installation instructions.
4. The appliance can be installed in a 60cm wide wall-mounted cupboard.
5. The appliance is fitted with a plug and must only be connected to a properly installed earthed socket.
6. The mains voltage must correspond to the voltage specified on the rating plate.
7. The socket must be installed and connecting cable must only be replaced by a qualified electrician. If the plug is no longer to accessible following installation, an all-pole disconnecting device must be present on the installation side with a contact gap of at least 3mm.
8. Adapters, multi-way strips and extension leads must not be used. Overloading can result in a risk of fire.

The accessible surface may be hot during operation.



Installation Instructions

Please Read the Manual Carefully Before Installation

Please note

Electrical connection

The oven is fitted with a plug and must only be connected to a properly installed earthed socket. The socket must only be installed and the connecting cable must only be replaced by a qualified electrician, and in accordance with the appropriate regulations.

If the plug is no longer accessible following installation, an all-pole isolating switch must be present on the installation side with a contact gap of at least 3 mm.

The fitted cabinet must not have a back wall behind the appliance.

A gap must be maintained between the wall and the base of the unit above.

Specific gap size could be referenced by the diagrams.

Minimum installation height: 85 cm.

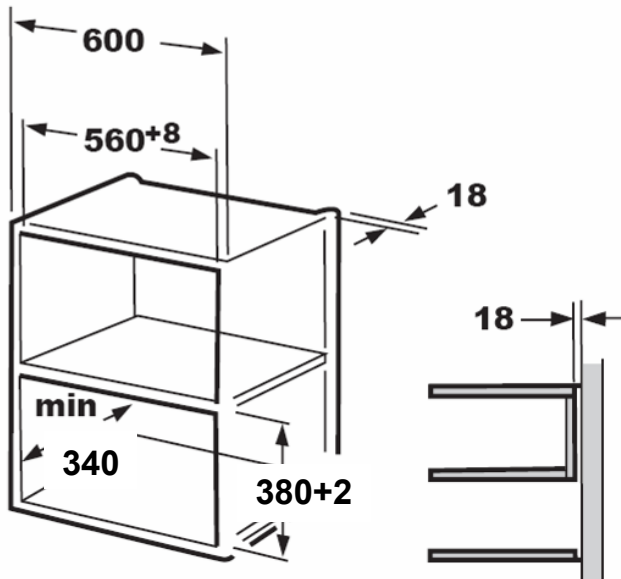
Do not cover ventilation slots and suction holes.

Note:

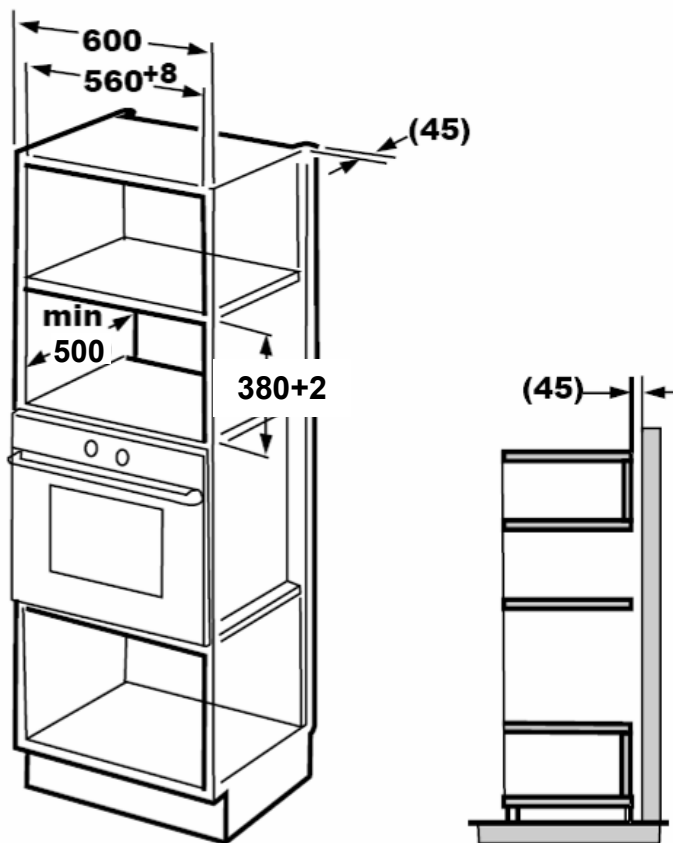
Do not trap or bend the power cable.

A. Built-in furniture

1.



2.

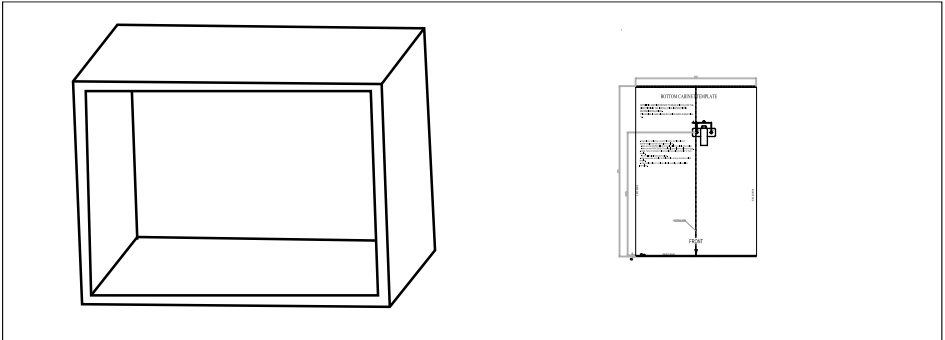


Note:

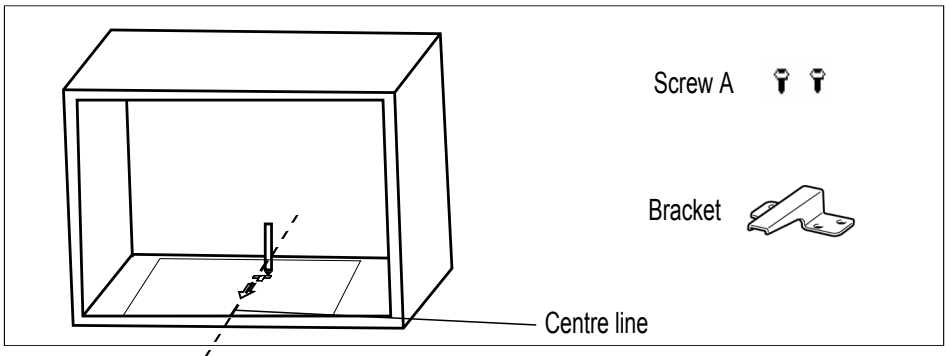
The bracket and bottom cabinet template are needed when installing in both installations.

B.Prepare the cabinet

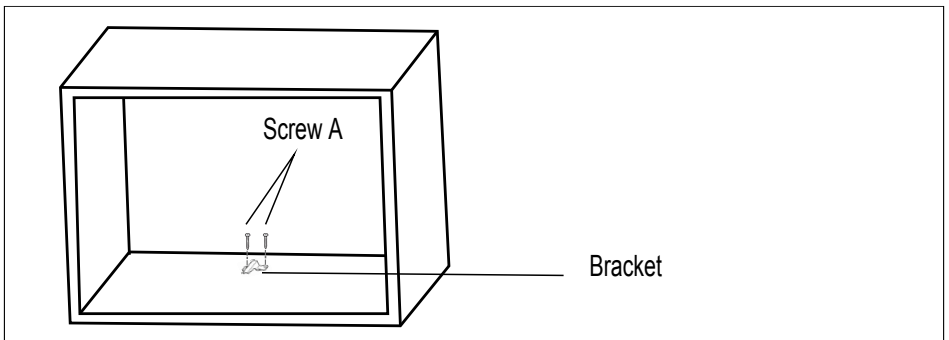
1. Read the instruction on the **BOTTOM CABINET TEMPLATE** , put the template on the bottom plane of cabinet.



2. Make the marks on the bottom plane of cabinet according to marks "a" of the template



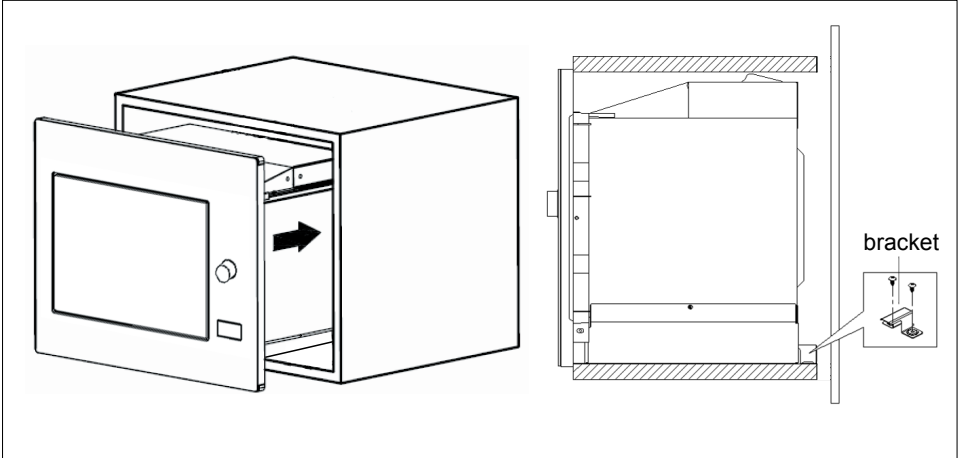
3. Remove the bottom cabinet template and fix the bracket with screw A.



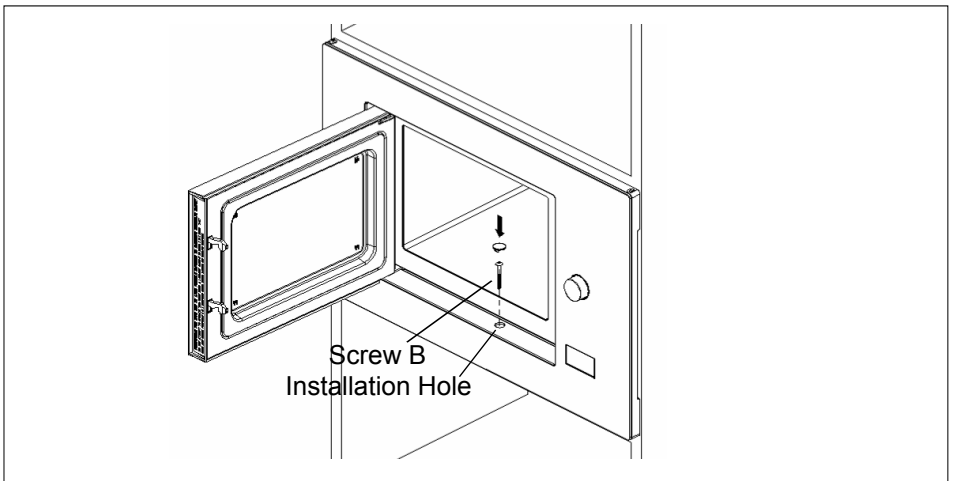
C. Install the oven

4. Install the oven to the cabinet

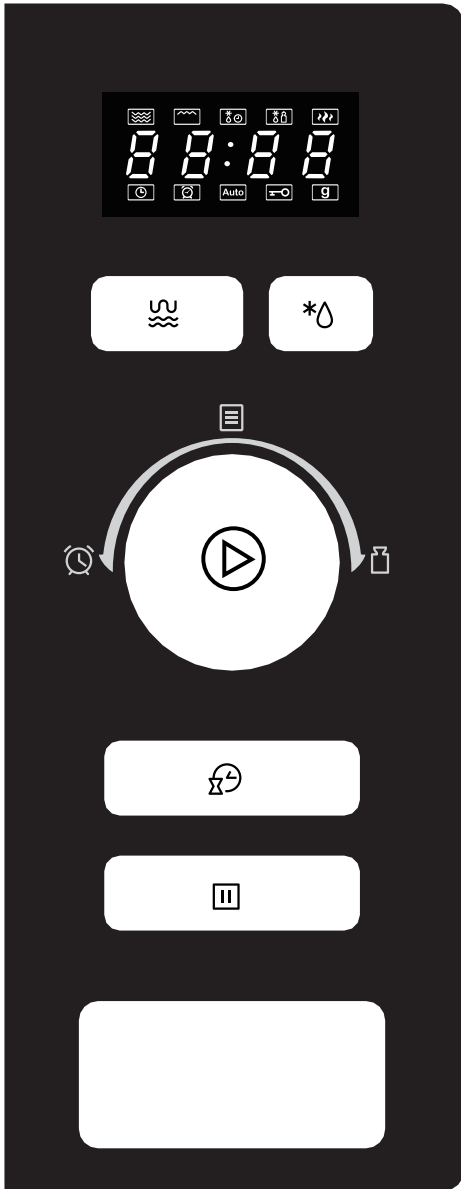
- Make sure the back of the oven is locked by bracket.
- Do not trap or kink the power cord.











- ### 5. Open the door, fix the oven to the cabinet with Screw B, at the installation hole.
- Then fix the Trim-kit plastic cover to the installation hole.



Control Panel




	Micro./ Grill/Combi.		Weight/Time Defrost
	Kitchen Timer/ Clock		Stop/Clear
	Start/ +30Sec./Confirm		Auto Menu
	Time		Weight

Operation Instructions

1. Clock Setting

When the microwave oven is electrified, the screen will display "0:00", buzzer will ring once.

1) Press " **Kitchen Timer/Clock** " twice to select clock function, the hour figures will flash.

2) Turn "  " to adjust the hour figures, the input time should be within 0--23.

3) Press " **Kitchen Timer/Clock** ", the minute figures will flash.

4) Turn "  " to adjust the minute figures, the input time should be within 0--59.


5) Press " **Kitchen Timer/Clock** " to finish clock setting. ":" will flash, and the time will light.


Note: 1) If the clock is not set, it would not function when powered.

2) During the process of clock setting, if you press " **Stop/Clear** ", the oven will go back to the previous status automatically.

2. Microwave Cooking


Press " **Micro./Grill/Combi.** " the screen will display "P100". Press " **Micro./Grill/Combi.** "

for times or turn "  " to choose the microwave power you want, and "P100", "P80", "P50", "P30" or "P10" will display for each added press. Then press


" **Start/+30Sec./Confirm** " to confirm, and turn "  " to set cooking time from 0:05 to 95:00. Press " **Start/+30Sec./Confirm** " again to start cooking.

Example: If you want to use 80% microwave power to cook for 20 minutes, you can operate the oven as the following steps.

1) Press " **Micro./Grill/Combi.** " once, the screen display "P100".

2) Press " **Micro./Grill/Combi.** " once again or turn "  " to choose 80% microwave power.

3) Press " **Start/+30Sec./Confirm** " to confirm, and the screen displays "P 80".

4) Turn "  " to adjust the cooking time until the oven displays "20:00".



5) Press " **Start/+30Sec./Confirm** " to start cooking .

Note: the step quantities for the adjustment time of the coding switch are as follow:

0---1 min	:	5 seconds
1---5 min	:	10 seconds
5---10 min	:	30 seconds
10---30 min	:	1 minute
30---95 min	:	5 minutes


"Micro./Grill/Combi." Order	Pad instructions Display	Microwave Power	Grill Power
1	P100	100%	
2	P80	80%	
3	P50	50%	
4	P30	30%	
5	P10	10%	
6	G	0%	100%
7	C-1	55%	45%
8	C-2	36%	64%

3. Grill or Combi. Cooking


Press " **Micro./Grill/Combi.** " the screen will display "P100", and press " **Micro./Grill/Combi.** " for times or turn the  to choose the power you want, and "G", "C-1" or "C-2" will display for each added press. Then press " **Start/+30Sec./Confirm** " to confirm, and turn  to set cooking time from 0:05 to 95:00. Press " **Start/+30Sec./Confirm** " again to start cooking.

Example: If you want to use 55% microwave power and 45% grill power (C-1) to cook for 10 minutes, you can operate the oven as the following steps.

- 1) Press " **Micro./Grill/Combi.** " once, the screen display "P100".

- 2) Press " **Micro./Grill/Combi.** " for times or turn  to choose combi. 1 mode.


- 3) Press " **Start/+30Sec./Confirm** " to confirm, and the screen displays "C-1".

- 4) Turn  to adjust the cooking time until the oven displays "10:00".

- 5) Press " **Start/+30Sec./Confirm** " to start cooking .


Note: If half the grill time passes, the oven sounds twice, and this is normal. In order to have a better effect of grilling food, you should turn the food over, close the door, and then press " **Start/+30Sec./Confirm** " to continue cooking. If no operation, the oven will continue working.

4. Quick Start

- 1) In waiting state, Press " **Start/+30Sec./Confirm** " to start cooking with 100% power, each added press will increase 30 seconds cooking time up to 95 minutes.
- 2) In microwave, grill, combination cooking or time defrost state, each press of " **Start/+30Sec./Confirm** " can increase 30 seconds of cooking time.
- 3) In waiting state, turn "  " left to set cooking time with 100% microwave power, then press " **Start/+30Sec./Confirm** " to start cooking.

5. Defrost By Weight


- 1) Press " **Weight/Time Defrost** " once, and the oven will display "dEF1".

- 2) Turn "  " to select the weight of food from 100 to 2000 g.

- 3) Press " **Start/+30Sec./Confirm** " to start defrosting.


6. Defrost By Time

- 1) Press " **Weight/Time Defrost** " twice, and the oven will display "dEF2".

- 2) Turn "  " to select the defrost time. The MAX time is 95 minutes.

- 3) Press " **Start/+30Sec./Confirm** " to start defrosting. The defrost power is P30 , and it will not be changed.


7. Kitchen Timer

- (1) Press " **Kitchen Timer/Clock** " once, the screen will display 00:00.
- (2) Turn "  " to enter the correct timer. (The maximum cooking time is 95 minutes.)
- (3) Press " **Start/+30Sec./Confirm** " to confirm setting.
- (4) When the kitchen time is reached, timer indicator will go out. The buzzer will ring 5 times.


If the clock be set (24-hour system), the screen will display the current time.

Note: The kitchen Time is differ from 24-hour system, Kitchen Timer is a timer.

8. Auto Menu


1) Turn "  " right to choose the menu, and "A-1" to "A-8" will display.

2) Press " **Start/+30Sec./Confirm** " to confirm.


3) Turn "  " to choose the default weight as the menu chart.

4) Press " **Start/+30Sec./Confirm** " to start cooking.

Example: If you want to use "Auto Menu" to cook fish for 350g.

1) Turn "  " clockwise till "A-6" display.

2) Press " **Start/+30Sec./Confirm** " to confirm.

3) Turn "  " to select the weight of fish till "350" display.

4) Press " **Start/+30Sec./Confirm** " to start cooking.

The menu chart:


Menu	Weight	Display
A-1 Pizza	200 g	200
	400 g	400
A-2 Meat	250 g	250
	350 g	350
	450 g	450
A-3 Vegetable	200 g	200
	300 g	300
	400 g	400
A-4 Pasta	50g(with 450 ml cold water)	50
	100g(with 800 ml cold water)	100
A-5 Potato	200 g	200
	400 g	400
	600 g	600
A-6 Fish	250 g	250
	350 g	350
	450 g	450
A-7 Beverage	1 cup(120 ml)	1
	2 cups(240 ml)	2
	3 cups(360ml)	3
A-8 Popcorn	50 g	50
	100 g	100

9. Multi-section cooking


At most 2 sections can be set for cooking. In multi-section cooking, if one section is defrosting, then defrosting will be placed in the first section automatically.

Example: If you want to defrost food for 5 minutes and then cook with 80% microwave power for 7 minutes, operate it as the following:


- 1) Press " **Weight/Time Defrost** " twice, and the oven will display "dEF2".

- 2) Turn "  " to select the defrost time till "5:00" display.

- 3) Press " **Micro./Grill/Combi.** " once, the screen display "P100".

- 4) Press " **Micro./Grill/Combi.** " once again or turn "  " to choose 80% microwave power.

- 5) Press " **Start/+30Sec./Confirm** " to confirm, and the screen displays "P 80".



- 6) Turn "  " to adjust the cooking time till the oven displays "7:00".

- 7) Press " **Start/+30Sec./Confirm** " to start cooking, and buzzer will sound once for the first section, defrosting time counts down; buzzer will sound once again entering the second cooking. when cooking finish, buzzer sounds five times.

10. Inquiring Function

- (1) In states of microwave, grill and combination cooking, press " **Micro./Grill/Combi.** ", the current power or grill type will be displayed for 3 seconds. After 3 seconds, the oven will turn back to the former state;
- (2) In cooking state, press " **Kitchen Timer/Clock** " to inquire the time and the time will display for 3 seconds.

11. Lock-out Function for Children

- Lock: In waiting state, press " **Stop/Clear** " for 3 seconds, there will be a long beep denoting entering the children-lock state and the current time will display if the time has been set, otherwise, the screen will display "  :  ". And lock indicator lights .
- Lock quitting: In locked state, press " **Stop/Clear** " for 3 seconds, there will be a long "beep" denoting that the lock is released.

Trouble shooting

Normal	
Microwave oven interfering TV reception	Radio and TV reception may be interfered when microwave oven operating. It is similar to the interference of small electrical appliances, like mixer, vacuum cleaner, and electric fan. It is normal.
Dim oven light	In low power microwave cooking, oven light may become dim. It is normal.
Steam accumulating on door, hot air out of vents	In cooking, steam may come out of food. Most will get out from vents. But some may accumulate on cool place like oven door. It is normal.
Oven started accidentally with no food in.	It is forbidden to run the unit without any food inside. It is very dangerous.

Trouble	Possible Cause	Remedy
Oven can not be started.	(1) Power cord not plugged in tightly.	Unplug. Then plug again after 10 seconds.
	(2) Fuse blowing or circuit breaker works.	Replace fuse or reset circuit breaker (repaired by professional personnel of our company)
	(3) Trouble with outlet.	Test outlet with other electrical appliances.
Oven does not heat.	(4) Door not closed well.	Close door well.
Glass turntable makes noise when microwave oven operates	(5) Dirty roller rest and oven bottom.	Refer to "Maintenance of Microwave" to clean dirty parts.



According to Waste of Electrical and Electronic Equipment (WEEE) directive, WEEE should be separately collected and treated. If at any time in future you need to dispose of this product please do NOT dispose of this product with household waste. Please send this product to WEEE collecting points where available.



SRB

IMWH- GD202IX

UPUTSTVO ZA UPOTREBU MIKROTALASNA RERNA

Pažljivo pročitajte ovo uputstvo pre korišćenja rerne i pažljivo ga čuvajte.

Ako budete sledili ovo uputstvo, Vaša mikrotalasna će Vas dobro služiti mnogo godina.

PAŽLJIVO ČUVAJTE OVO UPUTSTVO

PREDOSTROŽNOSTI ZA IZBEGAVANJE MOGUĆEG PREKOMERNOG IZLAGANJA MIKROTALASNOJ ENERGIJI

- (a) Ne pokušavajte koristiti ovu pećnicu sa otvorenim vratima jer to može rezultirati štetnim izlaganjem mikrotalasnoj energiji. Važno je ne lomiti ili ne rotirati bezbednosne spojeve.
- (b) Ne postavljajte nikakve predmete između prednje strane rerne i vrata, ne dopuštajte nakupljanje prljavštine ili sredstava za čišćenje na površinama za dihtovanje.
- (c) **UPOZORENJE:** Ukoliko su vrata ili vratni dihtunzi oštećeni, pećnica ne sme da se koristi dok ih ne zameni stručna osoba.

DODATAK

Ukoliko se uređaj ne održava čistim, to može da utiče na njegovu površinu i radni vek, te da dovede do opasnih situacija.

Specifikacije

Model:	IMWH-GD202IX
Radni napon:	230V~ 50Hz
Nazivna ulazna snaga (mikrotalasi):	1250 W
Nazivna izlazna snaga (mikrotalasi):	800 W
Nazivna ulazna snaga (grill):	1000W
Kapacitet rerne:	20 L
Prečnik okretnog tanjira:	Ø 245 mm
Spolne dimenzije:	595 x343.5x388mm
Neto težina:	Približno 15 kg

VAŽNA SIGURNOSNA UPUTSTVA

UPOZORENJE

Za smanjenje rizika od požara, strujnog udara, fizičkih povreda ili prekomernog izlaganja mikrotalasnoj energiji prilikom upotrebe Vašeg uređaja, molimo da se pridržavate osnovnih mera predostrožnosti, uključujući i sledeće:

1. **Upozorenje:** Tečnosti i drugu hranu ne zagrevati u zatvorenim posudama, jer su podložne eksplozijama.
2. **Upozorenje:** Uklanjanje poklopca koji štiti od izlaganja mikrotalasnoj energiji je opasno po bilo koga osim stručne osobe.
3. Ovaj uređaj mogu koristiti deca uzrasta iznad 8 godina starosti, kao i osobe sa smanjenim fizičkim, čulnim ili mentalnim sposobnostima ili nedostatkom iskustva i znanja, ako su pod nadzorom ili poseduju instrukcije za upotrebu aparata na bezbedan način uz razumevanje opasnosti rukovanja. Deca ne treba da se igraju sa aparatom. Čišćenje i održavanje ne bi trebalo da obavljaju deca koja nisu starija od 8 godina i pod nadzorom.
4. Držite aparat i njegov kabl van domašaja dece mlađe od 8 godina.
5. Koristite samo posuđe prikladno za upotrebu u mikrotalasnim pećnicama.
6. Rerna bi trebalo redovno da se čisti i da se uklanjaju talozi hrane.
7. Pročitajte i pridržavajte se "**PREDOSTROŽNOSTI ZA IZBEGAVANJE MOGUĆEG PREKOMERNOG IZLAGANJA MIKROTALASNOJ ENERGIJI**".
8. Prilikom grejanja hrane u plastičnim ili papirnim posudama, pazite na rernu zbog opasnosti od vatre.
9. U slučaju pojave plamena, ugasite rernu ili je isključite iz struje, te držite zatvorena vrata pećnice kako bi se vatra ugušila.
10. Nemojte prekuvavati hranu.
11. Nemojte koristiti unutrašnjost pećnice za skladištenje. Ne držite predmete poput hleba, kolača, itd. unutar rerne.
12. Uklonite žičane spajalice i metalne drške sa papirnih

ili plastičnih posuda/kesica pre njihovog stavljanja u rernu.

13. Instalirajte ili postavite ovu rernu isključivu u skladu sa priloženim uputstvima za instalaciju.

14. Jaja u ljusci i tvrdo kuvana jaja ne bi trebalo grejati u mikrotalasnoj rerni, jer mogu da eksplodiraju, čak i nakon završetka grejanja u rerni.

15. Ovaj aparat je namenjen upotrebi u domaćinstvu i sličnim objektima kao što su:

-kuhinja za osoblje, kancelarije i slična radna okruženja;

-u hotelima, motelima i sličnim rezidencijalnim okruženjima;

-seoskim kućama;

-prenoćištima.

16. Ukoliko se strujni kabl ošteti, treba da ga zameni proizvođač, ovlašćeni servis ili slične kvalifikovane osobe kako bi se izbegle moguće opasnosti.

17. Ne držite i ne koristite ovaj uređaj na otvorenom.

18. Ne koristite ovu rernu u blizini vode, mokrom podrumu ili u blizini bazena.

19. Tokom rada temperatura dostupnih područja može biti visoka. Držite kabl napajanja podalje od toplih površina, te ne pokrivajte otvore na rerni.

20. Ne dopuštajte da strujni kabl visi preko ivice stola ili radne površine.

21. Neodržavanje rerne čistom može dovesti do propadanja njenih površina, što može skratiti vek trajanja uređaja i rezultirati opasnim situacijama.

22. Kako bi se izbegle opekotine, sadržaje dečijih flašica i tegli sa dečijom hranom treba pre hranjenja promešati ili protresti, te im proveriti temperaturu.

23. Grejanje napitaka u mikrotalasnoj rerni može rezultirati zakasnelim eruptivnim ključanjem, te se zato mora paziti prilikom rukovanja posudom u kojoj se nalazi napitak.

24. Uređaj nije namenjen za upotrebu od strane osoba (uključujući i decu) sa smanjenim fizičkim, čulnim ili mentalnim sposobnostima ili nedostatkom iskustva i znanja, osim ukoliko nisu pod nadzorom ili su upućene u rad uređaja od strane osobe odgovorne za njihovu bezbednost.

25. Decu bi trebalo nadzirati kako bi se osiguralo da se ne igraju sa

uređajem.

26. Mikrotalasna rerna se ne sme ugrađivati u kuhinjske elemente, osim ukoliko nije bila testirana za ugradnju u elemente.
27. Uređaj nije namenjen za upravljanje putem eksternih tajmera ili drugih sistema za daljinsko upravljanje.
28. Zadnja površina uređaja treba da se postavi ispred zida.
29. Delovi aparata mogu da se zagreju za vreme korišćenja, zato decu treba držati dalje od aparata kako se ne bi opržili.
30. Ne sme se čistiti paročistačima.
31. Tokom upotrebe aparat se zagreva. Treba voditi računa da se izbegne dodirivanje grejnih elemenata rerne.
32. Koristite samo sondu temperature koja se preporučuje za ovu rernu (za rerne snabdevene instalacijom za korišćenje sonde za proveru temperature).
33. UPOZORENJE: Aparat i njegovi dostupni delovi zagrevaju se prilikom upotrebe. Trebalo bi pažljivo izbeći dodirivanje grejnih elemenata. Decu mlađu od 8 godina starosti treba držati dalje od aparata ako su bez nadzora.
34. Prilikom rada dekorativna vrata moraju ostati otvorena (za rerne sa dekorativnim vratima).

PROČITAJTE PAŽLJIVO I ČUVAJTE ZA BUDUĆU UPOTREBU.

Za smanjenje rizika od fizičkih povreda

Uzemljenje

OPASNOST

Opasnost od strujnog udara.

Dodirivanje nekih unutrašnjih delova može izazvati ozbiljne povrede ili smrt.

Ne rastavljajte ovaj uređaj.

UPOZORENJE

Opasnost od strujnog udara.

Neispravno uzemljenje može da rezultir strujnim udarom. Ne uključujte uređaj u utičnicu za struju dok ga ispravno ne instalirate i uzemljite.

Ovaj uređaj mora da bude uzemljen. U slučaju strujnog kratkog spoja uzemljenje smanjuje opasnost od strujnog udara putem odvodne žice za električnu struju.

Ovaj uređaj je opremljen uzemljenim strujnim kablom i utikačem sa kontaktom za uzemljenje. Utikač treba da se uključi u ispravno instaliranu i uzemljenu strujnu utičnicu. Konsultujte se sa kvalifikovanim električarom ili serviserom ukoliko u potpunosti ne razumete uputstva za uzemljenje ili ukoliko niste sigurni je li uređaj ispravno uzemljen.

Ukoliko morate da koristite produžni kabl, koristite isključivo produžni kabl sa tri žice.

- 1. Strujni kabl je kratak kako bi se smanjili rizici od zapetljanja ili spoticanja o duži strujni kabl.**
- 2. Ukoliko se koristi dugi strujni kabl ili produžni kabl:**
- 3. Nominalna snaga strujnog kabla ili produžnog kabla mora biti jednaka ili veća od nominalne snage uređaja.**
- 4. Produžni kabl mora da bude uzemljenog tipa.**
- 5. Dugi strujni kabl treba da se provede tako da ne visi preko ruba radne površine ili stola gde mogu da ga povuku deca ili gde preko njega može slučajno da se spotakne.**

ČIŠĆENJE

Obavezno isključite rernu iz strujne utičnice.

- 1. Nakon upotrebe unutrašnjost pećnice očistite lagano vlažnom krpom.**
- 2. Dodatke očistite na uobičajeni način u vodi sa sapunom..**
- 3. Kada su prljavi, okvir vrata, zaptivku i susedne delove treba da se pažljivo očiste vlažnom krpom.**
- 4. Ne koristite jaka abrazivna sredstva za čišćenje ili oštre metalne strugače za čišćenje stakla vrata rerne, jer mogu da ogrebu površinu, što može rezultirati razbijanjem stakla.**
- 5. SAVET ZA ČIŠĆENJE - za lakše pranje unutrašnjosti rerne od masnoće hrane, stavite pola limuna u činiju, dodajte 300ml vode. Obrišite pećnicu mekom, suvom krpom.**

OPREZ

Opasnost od povreda

Servisiranje ili popravljanje koje uključuje uklanjanje poklopca za zaštitu od izlaganja mikrotalasnoj energiji, opasno je za svakog osim za stručno lice.

POSUĐE

Pogledajte uputstva o "Materijalima koji se mogu koristiti u mikrotalasnoj rerni ili koje bi trebalo izbegavati". Postoji određeno nemetalno posuđe koje nije bezbedno za upotrebu u mikrotalasnoj rerni. Ukoliko postoji sumnja, datu posudu možete da testirate na dole opisani način.

Test posuđa:

1. Napunite posudu u mikrotalasnoj rerni 1 šoljicom hladne vode (250 ml).
2. Kuvajte na maksimalnoj snazi 1 minut.
3. Pažljivo opipajte posudu. Ukoliko je prazna posuda topla, ne koristite je za kuvanje u mikrotalasnoj rerni.
4. Nemojte da prekoračite 1 minut prilikom kuvanja.

Materijali sigurni za upotrebu u mikrotalasnoj rerni

Materijal Napomene

Alu folija	Samo prekrivanje. Mogu se koristiti mali glatki komadi za prekrivanje tankih komada mesa ili piletine kako bi se sprečilo prekuvanje. Ako je folija previše blizu zidovima rerne može da dođe do varničenja. Folija bi trebala da bude najmanje 2.5cm udaljena od zidova rerne.
Posuda za zapeći jelo	Pridržavajte se uputstava proizvođača. Dno posude mora da bude minimalno 5mm iznad tanjira koji se okreće. Neispravna upotreba može da izazove pucanje tanjira.
Servis za jelo	Isključivo oni koji su pogodni za upotrebu u mikrotalasnim pećnicama. Pridržavajte se uputstava proizvođača. Ne koristite napuklo ili oštećeno posude
Tegle	Uvek uklonite poklopac. Koristite za grejanje dok hrana ne bude pretopla. Većina tegli nije otporna na toplinu i može da pukne.
Stakleno posude	Koristite isključivo vatrostalno stakleno posude. Na sudovima ne sme da bude metalnih rubova. Ne koristite napuklo ili oštećeno posude.
Kese za kuvanje	Pridržavajte se uputstava proizvođača. Ne zatvarajte metalnom vezicom. Napravite otvore za izlaz pare.
Papirnati tanjiri i šoljice	Koristite isključivo za kratkotrajno kuvanje / grejanje. Ne ostavljajte bez nadzora tokom kuvanja.
Papirnat salвете	Koristite za prekrivanje hrane za podgrevanje i upijanje masnoće. Koristite pod nadzorom isključivo za kratkotrajno kuvanje.
Papir za kolače	Koristite kao poklopac kako biste sprečili prskanje ili kao omotač za parenje.
Plastika	Isključivo pogodna za upotrebu u mikrotalasnim remama. Pridržavajte se uputstava proizvođača. Trebalo bi da bude označena sa "Microwave Safe". Neke plastične posude omekšavaju kako se hrana unutar njih zagreva.

Materijali nepogodni za upotrebu u mikrotalasnoj rerni

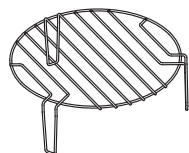
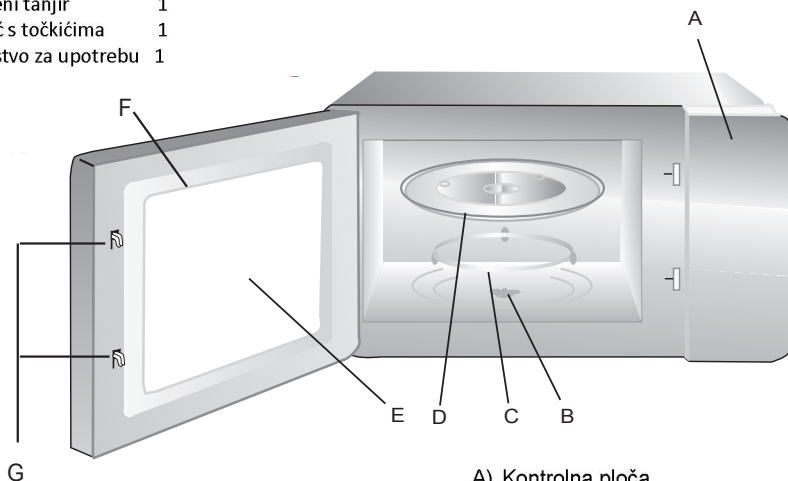
Kese za kuvanje	Trebalo bi da se zarežu, izbuše ili otvore, kako je naznačeno na ambalaži.
Plastična folija	Isključivo pogodna za upotrebu u mikrotalasnim pećnicama. Koristite za prekrivanje hrane tokom kuvanja radi zadržavanja vlage. Plastična folija ne bi smela da dodiruje hranu
Termometri	Isključivo pogodni za upotrebu u mikrotalasnim rernama (za meso i kolače)
Masni papir	Koristite kao poklopac za sprečavanje prskanja i zadržavanje vlage.
Posude za hranu sa metalnim drškama	Može da izazove varničenje. Preseliti hranu u posudu pogodnu za mikrotalasne pećnice.
Metalne ili metalom obrubljene posude	Metal štiti hranu od mikrotalasne energije. Metalni rubovi mogu da izazovu varničenje.
Metalne vezice	Mogu da izazovu varničenje i vatru unutar rerne.
Papirnatе kесе	Mogu da izazovu vatru u pećnici.
Plastična pena	Plastična pena može da se otopi ili kontaminira unutrašnjost rerne kada je izložena visokoj temperaturi.
Drvo	Drvo će prilikom upotrebe u u mikrotalasnoj pećnici da se isuši, a može i da se rascepa ili pukne.

POSTAVLJANJE VAŠE RERNE

Nazivi delova rerne i dodataka

Uklonite reru i sve dodatke iz ambalaže i unutrašnjosti rerne. Uz Vašu reru su priloženi sledeći dodaci:

Stakleni tanjir	1
Obruč s točkicama	1
Uputstvo za upotrebu	1



Rešetka za grilovanje (Koristi se samo za funkciju grilovanja i postavlja se na stakleni tanjir)

- A) Kontrolna ploča
- B) Osovina za okretanje
- C) Obruč sa točkicama
- D) Stakleni tanjir
- E) Prozor za posmatranje
- F) Vrata
- G) Sistem za sigurno zatvaranje

Instalacija rotirajuće ploče

Srednja (donja) strana

Stakleni tanjir

Osovina

Obruč sa točkicama



- a. Nikada ne postavljajte stakleni tanjir naopako. Ništa ne sme da blokira stakleni tanjir.
- b. Za vreme kuvanja i stakleni tanjir i obruč sa točkicama uvek moraju da se koriste.
- c. Prilikom kuvanja, svu hranu i posude uvek treba staviti na stakleni tanjir.
- d. Ukoliko se stakleni tanjir ili obruč sa točkicama slome ili naprsnu, kontaktirajte najbliži servisni centar.

Postavljanje i priključivanje uređaja

1. Uređaj je namenjen isključivo za upotrebu u domaćinstvu.
2. Rerna je namenjena isključno za ugradnju, nikako za upotrebu na radnoj površini ili unutar kuhinjskog ormarića.
3. Molimo da se pridržavate posebnih instrukcija za postavljanje.
4. Rerna se može namestiti unutar 60 cm širokog visećeg ormarića.
5. Uređaj ima utikač, koji se može priključiti samo na pravilno uzemljenu električnu utičnicu.
6. Električno napajanje mora odgovarati naponu navedenom na natpisnoj tablici uređaja.
7. Nameštanje utikača ili zamena strujnog kabla može se poveriti samo kvalifikovanoj osobi. Ukoliko je utičnica po nameštanju nedostupna, mora se postaviti višepolna utičnica sa najmanje 3 mm prostora među kontaktima.
8. Ne smete koristiti adaptere ili produžne kablove, jer ukoliko dođe do preopterećenja, to lako prouzrokuje požar.

Pristupne površine uređaja mogu biti vruće tokom rada uređaja.



Uputstva za postavljanje

Molimo da pre postavljanja pažljivo pročitate uputstva

Napomena

Električni priključak

Uređaj ima utikač, koji se sme priključiti samo na pravilno uzemljenu utičnicu.

Električno napajanje mora odgovarati naponu navedenom na natpisnoj tablici uređaja.

Nameštanje utikača ili zamena strujnog kabla može se poveriti samo kvalifikovanoj osobi.

Ukoliko je utičnica po nameštanju nedostupna, mora se postaviti višepolna utičnica sa najmanje 3 mm prostora među kontaktima.

Polica u kojoj nameravate ugraditi uređaj, ne sme imati zid na zadnjoj strani.

Između zida i osnove uređaja mora biti određena razdaljina, koja je navedena na slikama ispod.

Minimalna visina za postavljanje: 85 cm.

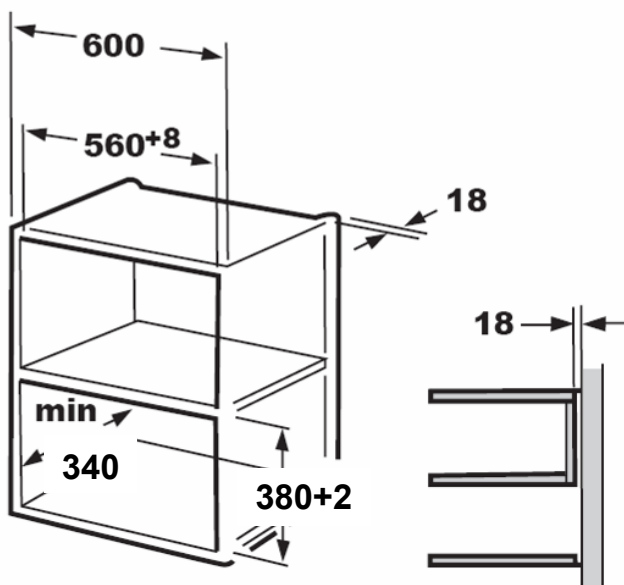
Ne pokrivajte otvore za ventilaciju.

Napomena:

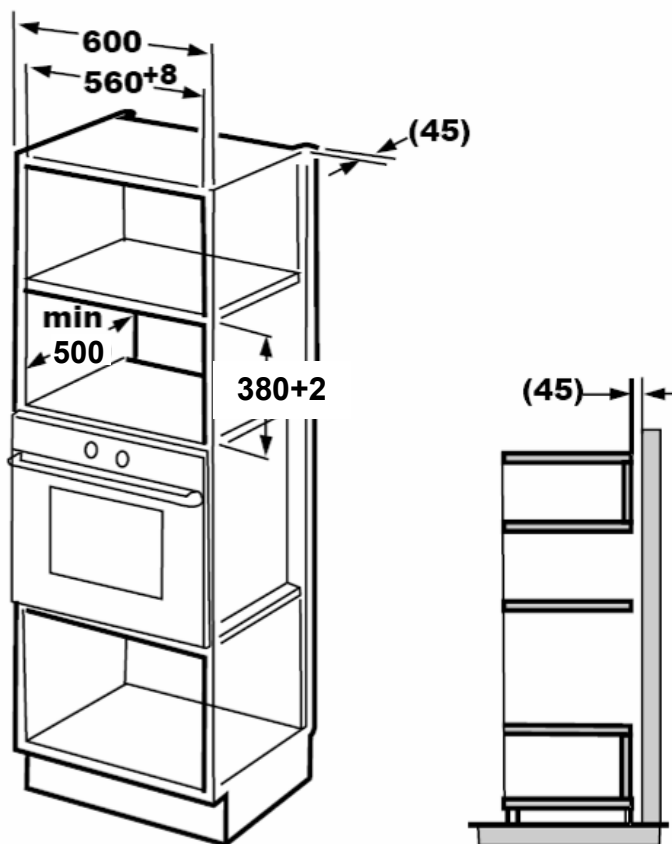
Nemojte savijati strujni kabl.

A. Korpus za ugradnju

1.



2.

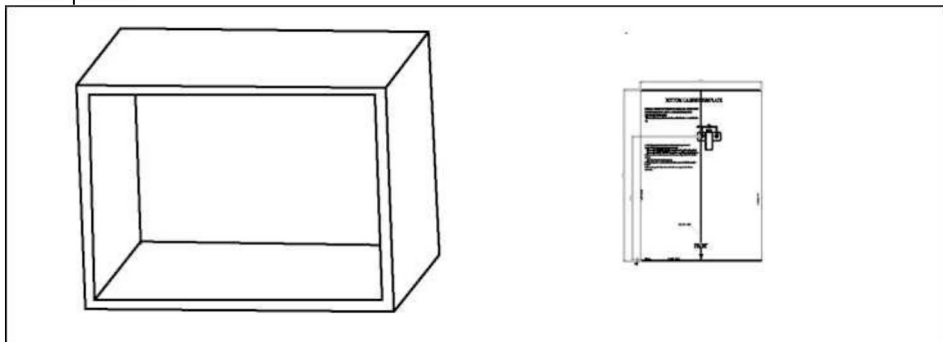


Napomena:

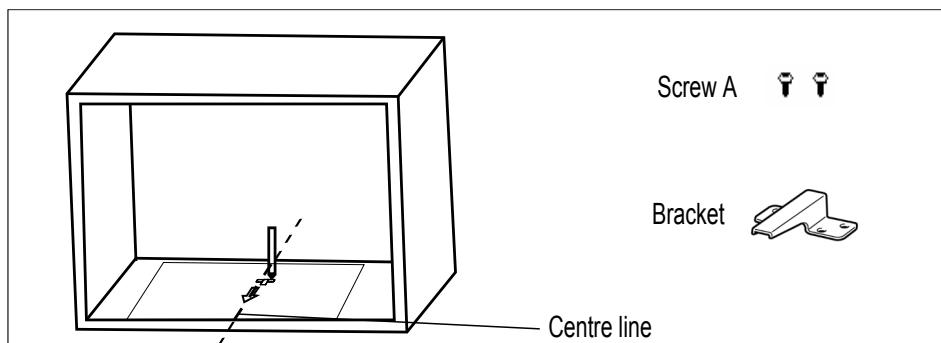
Kod obe vrste postavljanja potrebno je upotrebiti nosač i uzorak za dno police.

B. Priprema police

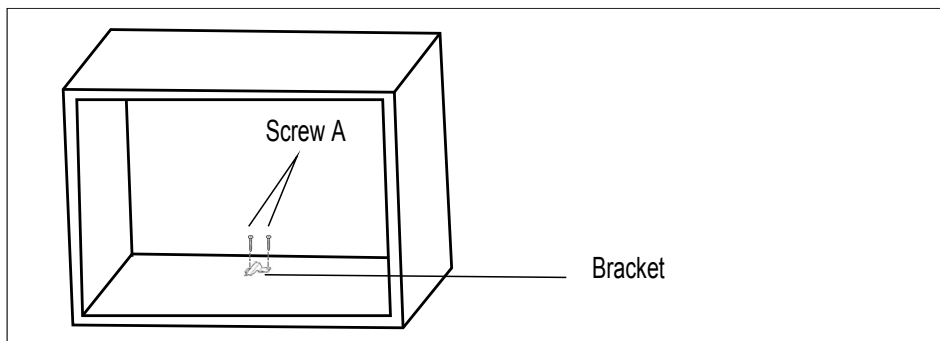
1. Pročitajte uputstvo za UZORAK ZA DNO POLICE , postavite uzorak na dno police.



2. Napravite oznake na dnu police, kao što je označeno na uzorku slovom A



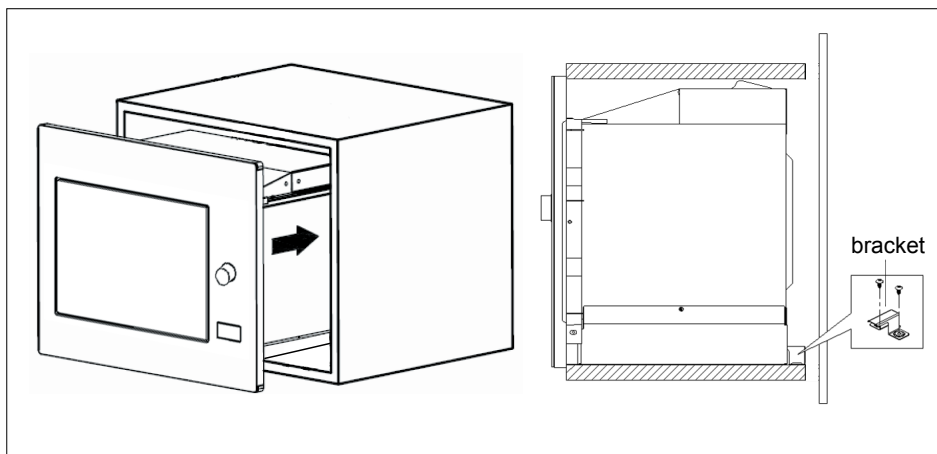
3. Odstranite uzorak i pričvrstite nosač šrafov A



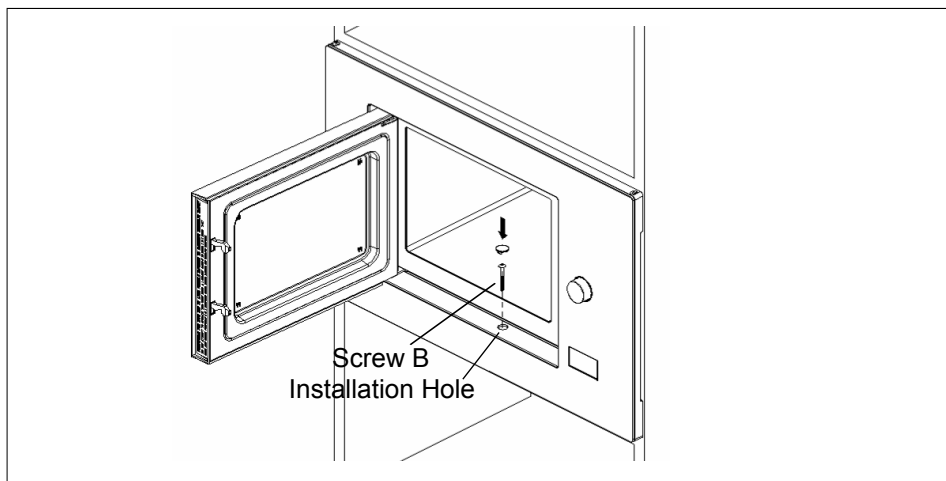
C . Postavljanje rerne

4. Postavljanje rerne u policu

- Uverite se da je zadnja strana rerne nalegla na nosač.
- Ne pregibajte niti savijajte strujni kabl.

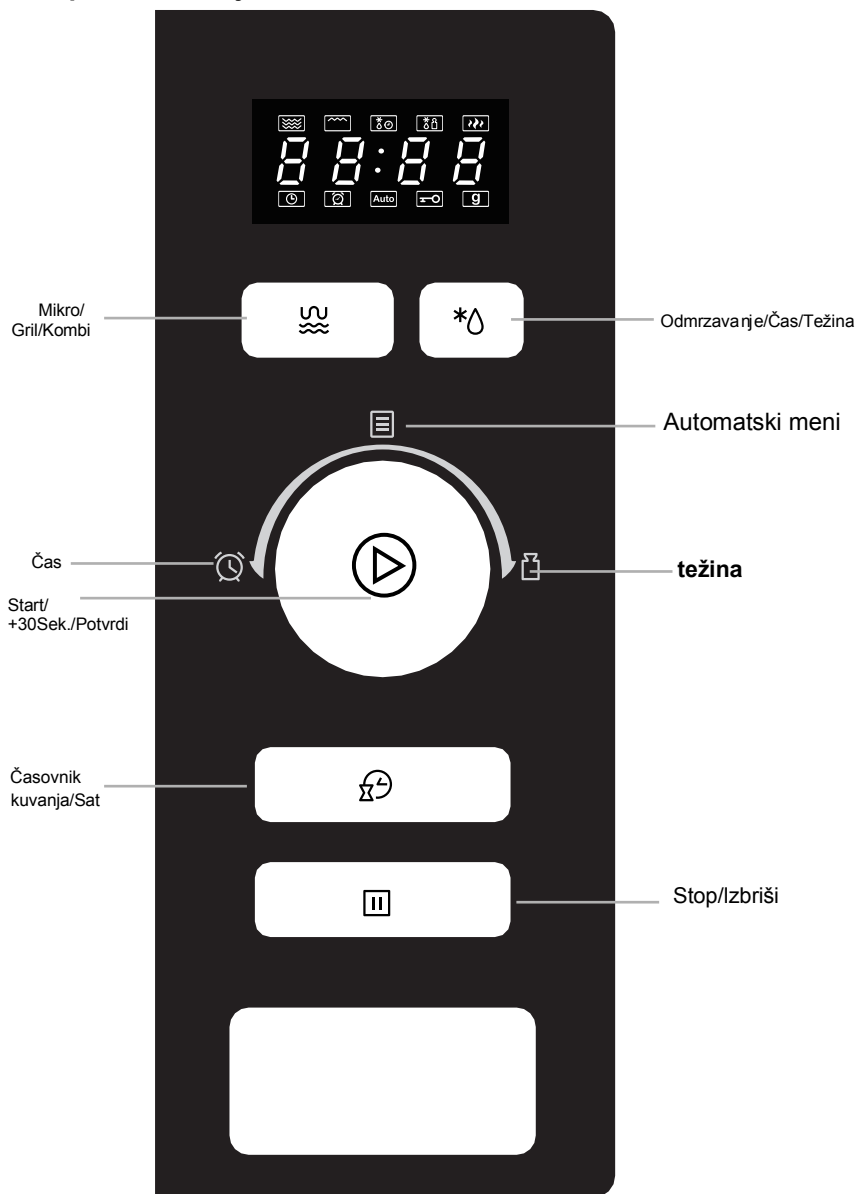


5. Otvorite vrata, pričvrstite renu na policu uz pomoć šrafa B u označeni otvor. Zatim namestite plastični poklopac na označeno mesto.



Upotreba

Kontrolna ploča i funkcije




Uputstva za upotrebu


1. Postavljanje časovnika

Kada priključite rernu, na ekranu će se prikazati »0:00« i čuće se zvučni signal.

1) Pritisnite dvaput dugme "Časovnik kuvanja/Čas" da biste izabrali funkciju časovnika, cifre za sate na ekranu će svetleti.

2) Obrnite dugme  da biste postavili sate, izaberite vrednosti 0-23.

3) Pritisnite dugme "Časovnik kuvanja/Sat", cifre za minute će početi da svetle.

4) Obrnite dugme  da biste postavili minute, izaberite vrednosti 0—59.


5) Pritisnite dugme "Časovnik kuvanja/Sat" da biste potvrdili postavke. Simbol će zasvetliti, i izabrani sat će biti prikazan.

Opomena: 1) Ako ne postavite sat, uređaj neće početi sa grejanjem.

2) Ako prilikom postavljanja sata pritisnete »Stop/Izbriši«, rerna se vraća na prethodno stanje.

2. Mikrotalasno pečenje

Pritisnite dugme " Mikro/Grill/Kombi.". Na ekranu će se prikazati "P100". Pritisnite dugme

"Mikro/Grill/Kombi." nekoliko puta ili okrenite dugme  da biste izabrali snagu koju želite i prikazaće se vrednosti "P100", "P80" "P50", "P30" ili "P10" svaki put kada pritisnete dugme. Zatim pritisnite dugme "Start/+ 30 Sek./Potvrdi" da potvrdite i okrenite dugme da postavite vreme kuvanja od 0:05 do 95:00. Ponovno pritisnite "Start/+ 30 Sek./Potvrdi" za početak kuvanja.

Primer: Ako želite da upotrebite 80% snage mikrotalasne reme i kuvate 20 minuta, sledite sledeće korake:

1) Pritisnite dugme "Mikro/Grill/Kombi." jednom, na ekranu će se prikazati "P100".

2) Pritisnite dugme "Mikro/Grill/Kombi." jednom da biste postavili 80% snage reme.

3) Pritisnite "Start/+ 30 Sek./Potvrdi" da potvrdite, na ekranu će se prikazati "P 80".

4) Okrenite dugme  i postavite vreme kuvanja na "20:00".

5) Pritisnite "Start/+ 30 Sek./Potvrdi" za početak kuvanja.

Opomena: koraci za postavljanje su sledeći:

0—1 min : 5 sekundi

1—5 min : 10 sekundi


5—10min : 30 sekundi

10—30 min : 1 minut

30—95min : 5 minuta



Mikro/Grill/Kombi, Red	Prikaz na ekranu	Moć mikrotalasnog grejanja	Moć grilla
1	P100	100%	
2	P80	80%	
3	P50	50%	
4	P30	30%	
5	P10	10%	
6	G	0%	100%
7	C-1	55%	45%
8	C-2	36%	64%

3. Grill ili kombinovano kuvanje

Pritisnite dugme "Mikro/Grill/Kombi.", na ekranu će se prikazati "P100". Zatim pritisnite "Mikro/Grill/Kombi." ili okrenite dugme  da biste izabrali snagu rerne. Svaki put kada ponovo pritisnete dugme "Start/+ 30 Sek./Potvrdi" biće izabrana "G", "C-1" ili "C-2".


Zatim pritisnite dugme "Start/+ 30 Sek./Potvrdi" da potvrdite i pomoću dugmeta O postavite vreme kuvanja od 0:05 do 95:00. Ponovno pritisnite "Start/+ 30 Sek./Potvrdi" za početak kuvanja.

Primer: Ako želite da upotrebite 55% mikrotalasne snage i 45% snage grilla (C-1), kuvajte 10 minuta, sledeći korake:


- 1) Pritisnite dugme " Mikro/Grill/Kombi." jednom, na ekranu će se prikazati "P100".
- 2) Pritiskanjem na dugme "Mikro/Grill/Kombi." ili dugmetom  izaberite kombinovani režim 1.
- 3) Pritisnite "Start/+ 30 Sek./Potvrdi" da biste potvrdili, i na ekranu će se prikazati "C-1".
- 4) Pomoću dugmeta  postavite vreme kuvanja na "10:00".
- 5) Pritisnite " Start/+ 30 Sek./Potvrdi" za početak kuvanja.

Opomena: Po isteku polovine vremena kuvanja oglasiće se dva zvučna signala, to je normalno. Da bi se u grill funkciji bolje pekla hrana, preporučljivo je da se okrene, zatvore vrata i pritisne dugme "Start/+ 30 Sek./Potvrdi" za nastavak kuvanja. Ako nema postavljenog delovanja, rerne će nastaviti s radom.


4. Brzi start

- 1) U stanju pripravnosti, pritisnite "Start/+ 30 Sek./Potvrdi" za početak kuvanja pri snazi 100 %, svaki dodatni pritisak na isto dugme dodaje 30 sekundi kuvanja do najviše 95 minuta.
- 2) U načinu kombinovanog delovanja mikrotalasna/grill ili načinu odmrzavanja svaki ponovni pritisak na dugme "Start/+ 30 Sek./Potvrdi" produži rad za 30 sekundi.
- 3) U stanju pripravnosti, pomoću dugmeta  izaberite vreme kuvanja sa 100 % mikrotalasne snage, a zatim pritisnite "Start/+ 30 Sek./Potvrdi" za početak kuvanja.


5. Odmrzavanje sa postavljanjem težine

- 1) Pritisnite dugme "Odmrzavanje/Težina/Sat" jednom, na ekranu će se prikazati natpis "dEF1".
- 2) Pomoću dugmeta  izaberite težinu hrane između 100 i 2000 g.
- 3) Pritisnite "Start/+ 30 Sek./Potvrdi" za početak odmrzavanja.

6. Odmrzavanje sa postavljanjem vremena



- 1) Pritisnite dugme "Odmrzavanje/Težina/Sat" dva puta, na ekranu će se prikazati natpis "dEF2".
- 2) Pomoću dugmeta  izaberite sat odmrzavanja, najviše do 95 minuta.
- 3) Pritisnite "Start/+ 30 Sek./Potvrdi" za početak odmrzavanja. Upotrebljena snaga za odmrzavanje je P30 i ne menja se.

7. Časovnik za kuvanje (Vreme kuvanja)

- (1) Pritisnite dugme "Časovnik kuvanja/Sat" jednom, na ekranu će se prikazati 00:00.
- (2) Pomoću dugmeta  izaberite željeni sat (najviše 95 minuta).
- (3) Pritisnite "Start/+ 30 Sek./Potvrdi" da potvrdite podešavanje.
- (4) Kada dođe do postavljenog sata, indikator časovnika se ugasi. Pet puta uzastopno oglašava se zvučni signal. Ako je postavljen sat (24-časovni prikaz), na ekranu će se prikazati koliko je trenutno sati.

Opomena: Časovnik kuvanja nije povezan sa 24-časovnim prikazom sata, već je vezan za tajmer.

8. Automatski meni

- 1) Okrenite dugme  nadesno i izaberite meni, prikazaće se opcije od A-1 do A-8.
- 2) Pritisnite "Start/+ 30 Sek./Potvrđi" da potvrdite izbor.
- 3) Pomoću dugmeta  izaberite određenu težinu, gledajući tabelu menija.
- 4) Pritisnite "Start/+ 30 Sek./Potvrđi" za postavljanje težine kao u tabeli.

Primer: Ako želite pomoću auto-menija da kuvate ribu, koja je teška 350 g.



- 1) Pomoću dugmeta  postavite na A-6.
- 2) Pritisnite "Start/+ 30 Sek./Potvrđi" za potvrdu izbora.
- 3) Pomoću dugmeta  izaberite težinu 350 g.
- 4) Pritisnite "Start/+ 30 Sek./Potvrđi" za početak kuvanja.




Tabela menija:

Meni	Težina	Na ekranu
A-1 Pica	200 g	200
	400 g	400
A-2 Meso	250 g	250
	350 g	350
	450 g	450
A-3 Zeleniš	200 g	200
	300 g	300
	400 g	400
A-4 Testenine	50g (sa 450 ml hladne vode)	50
	100g (sa 800 ml hladne vode)	100
A-5 Krompir	200 g	200
	400 g	400
	600 g	600
A-6 Riba	250 g	250
	350 g	350
	450 g	450
A-7 Pica	1 šoljica (120 ml)	1
	2 šoljice (240 ml)	2
	3 šoljice (360ml)	3
A-8 Kokice	50 g	50
	100 g	100

9. Višestepeno spremanje hrane

Možete postaviti najviše dva stepena spremanja hrane. Ako na jednom delu odaberete odmrzavanje, onda će odmrzavanje biti prva automatska opcija.

Primer: Ako prvo želite da odmrznete hranu 5 minuta, pa zatim 7 minuta kuvate hranu sa 80 % mikrotalasne snage, sledite navedene korake:


- 1) Pritisnite dva puta dugme "Odmrzavanje težina/sat", zatim će se na ekranu pojaviti natpis "dEF2".
- 2) Pomoću dugmeta  izaberite vreme odmrzavanja 5:00.
- 3) Pritisnite dugme "Mikro/Grill/Kombi." jedanput, na ekranu će se prikazati "P100".
- 4) Pritisnite dugme "Mikro/Grill/Kombi." jedanput ili pomoću dugmeta , izaberite 80% mikrotalasne snage.
- 5) Pritisnite "Start/+ 30 Sek./Potvrdi" da potvrdite, na ekranu će se prikazati natpis P 80.
- 6) Pomoću dugmeta  izaberite vreme kuvanja 7:00.
- 7) Pritisnite "Start/+ 30 Sek./Potvrdi" za početak kuvanja, zatim će se čuti zvučni signal i vreme odmrzavanja će početi da odbrojava unazad. Prelaskom na drugi stepen, čuće se zvučni signal i vreme kuvanja počinje. Kada se kuvanje završi, čuće se pet uzastopnih zvučnih signala.

10. Funkcija ispitivanja

- (1) Pri radu kombinovanog mikrotalasnog kuvanja i grilla, pritisnite dugme "Mikro/Grill/Kombi.", na ekranu će se za 3 sekunde prikazati trenutna snaga rada ili način rada grilla. Nakon te tri sekunde ekran se vraća na prethodni prikaz.
- (2) Pri obrtanju u načinu kuvanja pritisnite dugme "Vreme kuvanja/Sat", na ekranu će se za 3 sekunde prikazati vreme kuvanja.

11. Funkcija zaključavanja za zaštitu dece

Zaključavanje:

U stanju pripravnosti, pritisnite dugme "Stop/Izbriši" i držite 3 sekunde, začuće se dugi zvučni signal, koji označava da je rena zaključana. Na ekranu će se prikazati sat, ako je postavljen, ako nije, prikazaće se znak . Svi indikatori će zasvetleti.

Otključavanje:

U zaključanom stanju pritisnite dugme "Stop/Izbriši" i držite ga 3 sekunde, začuće se dugi zvučni signal, što znači da je rena otključana.

Rešavanje problema

Normalno	
Mikrotalasna ometa TV prijem	Tokom rada mikrotalasna rerma može ometati radio i TV prijem. To je slično interferenciji malih kućnih aparata, kao što su mikser, usisivač i fen za kosu. To je normalno.
Tamno svetlo u rerni	Prilikom kuvanja niskom snagom mikrotalasa, svetlo rerne može postati tamno. To je normalno.
Na vratima se kondenzuje vlaga, iz otvora izlazi vruć vazduh	Tokom kuvanja iz hrane može izlaziti para. Većina će izaći kroz ventilacione otvore, ali deo se može kondenzovati na hladnijim mestima poput vrata rerne. To je normalno.
Rerna je slučajno pokrenuta bez hrane u njoj	Zabranjeno je koristiti praznu rernu. To je veoma opasno. Odmah je isključite.

Problem	Mogući uzrok	Rešenje
Rerna se ne može pokrenuti	(1) Strujni kabl nije ispravno uključen	Isključite kabl, te ga nakon 10 sekundi ponovno uključite
	(2) Neispravan osigurač	Zamenite osigurač
	(3) Problem sa utičnicom	Testirajte utičnicu drugim električnim uređajima
Rerna ne greje	(4) Vrata nisu dobro zatvorena	Dobro zatvorite vrata
Stakleni tanjir pravi buku tokom rada mikrotalasne rerne	(5) Prijavi obruč sa točkicama i dno rerne	O čišćenju pogledajte u odeljku "Održavanje mikrotalasne rerne"



Prema odredbi o odlaganju električne i elektronske opreme, takva oprema treba da se posebno sakuplja i obrađuje. Ukoliko u bilo kojem trenutku treba da bacite ovaj uređaj, molimo da ga NE bacate u đubre zajedno sa ostalim kućnim đubretom, već tamo gde je za to unapred određeno mesto.



IMWH- GD202IX

NAVODILA ZA UPORABO MIKROVALNA PEČICA

Pred uporabo Vaše pečice pozorno preberite navodila ter jih shranite. Ob upoštevanju teh navodil Vam bo pečica dobro služila dlje časa.

POZORNO PREBERITE NAVODILA

VARNOSTNI UKREPI ZA IZOGIBANJE PREKOMERNEMU IZPOSTAVLJANJU MIKROVALOVNI ENERGIJI

- (a) Ne poskušajte uporabljati pečico z odprtimi vrati, saj to lahko povzroči škodljivo izpostavljenost mikrovalovni energiji. Pomembno je, da se varnostni spoji ne lomijo in ne rotirajo.
- (b) Ne postavljajte nikakršnih predmetov med sprednjo stran pečice in vrata in ne dovolite nabiranja umazanije ali ostankov čistilnega sredstva na tesnilnih površinah.
- (c) **POZOR: V kolikor so vrata ali tesnila poškodovana, pečice ne uporabljajte, dokler je ne popravi ustrezno usposobljen serviser**

DODATEK

V kolikor se aparat ne čisti redno, to lahko vpliva na njegovo življenjsko dobo in površine, ter privede do nevarnih situacij.

Specifikacije

Model:	IMWH-GD202IX
Delovna napetost:	230V~50Hz
Nazivna vhodna moč (mikrovalovna):	1250W
Nazivna izhodna moč (mikrovalovna):	800W
Nazivna izhodna moč (žar):	1000W
Prostornina pečice:	20L
Premer rotirajočega pladnja:	Ø 245mm
Zunanje dimenzije:	595 x 343,5 x 388mm
Neto teža:	Pribl. 15 kg

POMEMBNA VARNOSTNA NAVODILA OPOZORILO

Za zmanjšanje tveganja požara, električnega udara, telesnih poškodb ali prekomernega izpostavljanja mikrovalovni energiji, pri uporabi Vašega aparata upoštevajte osnovne varnostne ukrepe, in sicer:

1. **Pozor:** Tekočine in drugo hrane ne segrevajte v zaprtih posodah zaradi nevarnosti eksplozije.
2. **Pozor:** Pokrov za zaščito od mikrovalovne energije sme odstraniti samo ustrezno usposobljena oseba, saj lahko v nasprotnem pride do telesnih poškodb in materialne škode.
3. Aparat smejo uporabljati otroci nad 8 leti starosti, osebe z zmanjšanimi telesnimi, zaznavnimi in umskimi sposobnostmi ali s pomanjkljivim znanjem in izkušnjami, vendar izključno pod nadzorom osebe, ki ima navodila za varno uporabo in ob razumevanje nevarnosti, ki so prisotne ob uporabi. Otrokom ne dovolite, da se igrajo z aparatom. Otroci nad 8 leti starosti smejo vzdrževati ali čistiti aparat samo pod nadzorom odrasle osebe.
4. Držite aparat in njegov kabel dlje od otrok mlajših od 8 let.
5. Uporabljajte samo posode primerne za mikrovalovne pečice.
6. Pečico redno čistite od ostankov hrane.
7. Pozorno preberite in sledite navodilom v delu »VARNOSTNI UKREPI ZA IZOGIBANJE PREKOMERNEMU IZPOSTAVLJANJU MIKROVALOVNI ENERGIJI«.
8. Pri segrevanju hrane v plastičnih ali papirnatih posodah pozorno spremljajte delovanje pečice zaradi nevarnosti požara.
9. V primeru pojave plamena nemudoma ugasnite pečico ali jo izključite iz električne vtičnice ter držite vrata zaprta, da se ogenj ugasne.
10. Ne prekuhavajte hrane.
11. Ne uporabljajte notranjost pečice kot shrambo. Ne hranite predmete kot so kruh, kolači itd. v pečici.
12. Preden vstavite papirnate ali plastične posode/vrečke v pečico, odstranite kovinske ročaje in žice.
13. Pečico namestite izključno v skladu s priloženimi navodili.
14. Jajca z lupino in trdo kuhana jajca ni priporočljivo greti v mikrovalovni, ker se lahko razpočijo tudi po koncu segrevanja.

15. Ta aparat je namenjen uporabi v gospodinjstvu in podobnih okoljih, kot so:
- Kuhinje za osebje v trgovinah, pisarnah in podobnih delovnih okoljih
 - Hoteli, moteli in podobnih prenočitveni objekti,
 - Vaška gospodinjstva
 - Prenočišča, ki strežejo zajtrk
16. V kolikor se električni kabel poškoduje, ga mora zamenjati proizvajalec, pooblaščen servisier ali ustrezno usposobljeno osebje, da bi se izognili tveganju.
17. Ne držite in ne uporabljajte tega aparata na odprtem.
18. Pečice ne uporabljajte v bližini površinskih vod, v vlažnih kletah ali v bližini bazena.
19. Med delovanjem se lahko nekatere zunanje površine zelo segrejejo. Kabel držite dlje od toplih površin in ne pokrivajte odprtih na pečici.
20. Ne dovolite, da električni kabel visi čez rob mize ali delovne površine.
21. Neredno čiščenje pečice lahko povzroči propadanje njenih površin in posledično skrajšanje življenjske dobe aparata ter nevarne situacije.
22. Da ne bi prišlo do opeklin, vsebino posod s hrano ali pijačo namenjeno otrokom pred hranjenjem premešajte ali potresite in preverite temperaturo.
23. Segrevanje napitkov v mikrovalovni pečici lahko povzroči zakasnelo eruptivno vrenje, zato je treba biti pozoren pri rokovanju s posodami v katerih se nahaja tekočina.
24. Aparata ne smejo uporabljati osebe (vključujoč otroke) z zmanjšanimi fizičnimi, motornimi ali umskimi sposobnostmi, ali osebe, ki nimajo izkušenj in potrebnega znanja za uporabo, razen če so pod nadzorom osebe, ki odgovarja za njihovo varnost in sledijo navodilom za uporabo.
25. Otroke je treba nadzirati, da se ne bi igrali z aparatom.
26. Aparat ni primeren za upravljanje prek zunanjih časovnih stikal ali drugih sistemov za daljinsko upravljanje.
27. Deli aparata se lahko precej segrejejo med delovanjem, zato je potrebno otroke držati dlje od aparata, da se ne bi opekli.
28. Aparata ne čistite s parnim čistilnikom.
29. Med delovanjem se aparat segreva. Bodite pozorni, da se ne dotikate grelnih elementov.
30. Uporabljajte le temperaturno sondo priporočeno za to pečico (za pečice opremljene z instalacijo za temperaturno sondo).

31. **POZOR:** Aparat in njegove zunanje površine se pri delovanju zelo segrejejo. Bodite pozorni, da se ne dotikate grelnih elementov. Otroke mlajše od 8 let ne puščajte v bližini aparata brez nadzora.

32. Pri obratovanju aparata morajo biti okrasna vrata odprta (pri aparatih, ki imajo okrasna vrata).

33. Površina hranilnega predala se lahko močno segreje.

34. Mikrovalovna pečica je namenjena segrevanju hrane in pijače. Sušenje hrane ali pijače ter segrevanje raznih vložkov, copat, gobic, vlažnih krp in podobnega lahko povzroči požar in telesne poškodbe.

POZORNO PREBERITE NAVODILA IN JIH SHRANITE ZA KASNEJŠO UPORABO

Ukrepi za zmanjšanje tveganja telesnih poškodb Ozemljitev

OPOZORILO

Nevarnost električnega udara

Dotikanje nekaterih notranjih sestavnih delov aparata lahko povzroči hude telesne poškodbe in smrt. Ne razstavljajte aparata.

OPOZORILO

Nevarnost električnega udara

Neustrezna ozemljitev lahko povzroči električni udar. Ne vključujte aparata v električno vtičnico, dokler ga pravilno ne namestite in ozemljite.

Aparat mora biti ozemljen. V primeru kratkega stika ozemljitev zmanjšuje nevarnost električnega udara prek odvodne žice za električno energijo.

Ta aparat je opremljen z ozemljenim električnim kablom in vtičnikom s kontaktom za ozemljitev. Vtičnik je treba vključiti v pravilno nameščeno in ozemljeno električno vtičnico. V kolikor navodil za ozemljitev ne razumete v celoti, se posvetujte z ustrežno

usposobljenim električarjem ali serviserjem. V kolikor morate uporabljati električni podaljšek, uporabljajte izključno podaljšek s tremi žicami.

1. Električni kabel je kratek, zato da bi se zmanjšalo tveganje zapletanja in spotikanja ob kabel.
2. V kolikor uporabljate drugi električni kabel ali podaljšek:
 - 1) Nazivna zmogljivost električnega kabla ali podaljška mora biti enaka ali večja od nazivne moči aparata.
 - 2) Električni podaljšek mora biti ozemljen.
 - 3) Dolg električni kabel je treba postaviti tako, da ne visi prek roba delovne površine ali mize, kjer ga lahko dosežejo otroci, ali se lahko kdo spotakne ob njega.

ČIŠČENJE

Preden začnete s čiščenjem, obvezno izključite kabel iz električne vtičnice.

1. Po uporabi notranjost pečice očistite z rahlo navlaženo krpo.
2. Dodatke lahko pomijete z milom, v vodi.
3. Kadar so umazani, je potrebno okvir vrat, tesnilo in sosednje dele pozorno očistiti.
4. Ne uporabljajte agresivnih čistilnih sredstev ali grobih kovinskih žic za čiščenje, saj lahko poškodujejo površino in tako privedejo do razbijanja stekla.
5. **NASVET ZA ČIŠČENJE** - za lažje čiščenje notranjosti pečice od maščobe, postavite pol limone v posodo, dodajte 300 ml vode ter 10 minut segrevajte pri 100 % mikrovalovne moči. Obrišite pečico z mehko in suho krpo.

POSODE IN PRIPOMOČKI ZA PEKO

POZOR

Nevarnost telesnih poškodb

Servisiranje ali popravilo, ki zahteva odstranitev zaščitnega pokrova, ki ščiti od izpostavljanja mikrovalovni energiji, sme opravljati samo ustrezno usposobljena oseba.

Poglejte navodila o »Materialih, ki so primerni za uporabo v mikrovalovni pečici«. Obstajajo določene nekovinske posode, ki niso varne za uporabo v mikrovalovni pečici. Če niste prepričani, dano posodo lahko preizkusite na spodaj opisani način.

Preizkus posod:

- 1 Napolnite posodo, za uporabo v mikrovalovni pečici s kozarcem hladne vode (250 ml)
- 2 Segrevajte na maksimalni nastavitvi 1 minuto.
- 3 Previdno potipajte posodo. V kolikor je prazna posoda topla, je ne uporabljajte za kuhanje v mikrovalovni pečici.
- 4 Pri preizkusu vode ne segrevajte dlje od 1 minute.

Materiali primerni za uporabo v mikrovalovni pečici

Material

Opombe

Alu folija	Samo prekrivanje. Lahko uporabljate majhne, gladke kose za prekrivanje tenkih odrezkov mesa, da bi preprečili prekuhanje. Če je folija preblizu zidov pečice, lahko pride do iskrenja. Folija mora od zidov pečice biti oddaljena najmanj 2,5 cm.
Posoda za pečenje	Upoštevajte navodila proizvajalca. Dno posode mora biti najmanj 5mm nad rotirajočim pladnjem. Nepravilna uporaba lahko povzroči, da pladenj počí.
Servis za hrano	Izključno tisti, ki so primerni za uporabo v mikrovalovnih pečicah. Upoštevajte navodila proizvajalca. Ne uporabljajte počene ali drugače poškodovane posode.
Kozarci	Vedno odstranite pokrov. Segrejte vendar ne pregreвайте hrane. Večina kozarcev ni odporna na toploto in lahko počí.
Steklene posode	Koristite izključno na toploto odporno steklo za peko. Posode ne smejo imeti kovinskih posod. Ne uporabljajte počene ali drugače poškodovane posode.
Vrečke za peko	Upoštevajte navodila proizvajalca. Ne zapirajte s kovinsko sponko. Napravite odprtine za uhajanje pare.
Papirnati krožniki in kozarci	Uporabljajte jih izključno za kratkotrajno kuhanje / segrevanje. Ne puščajte pečice brez nadzora med segrevanjem.
Papirnate serviete	Uporabljajte jih za prekrivanje hrane, za vpijanje maščobe. Ne puščajte pečice brez nadzora med segrevanjem in uporabljajte samo za kratko segrevanje.
Papir za kolače	Uporabljajte kot pokrov, da bi preprečili škropljenje, ali kot ovoj za parno kopel.
Plastika	Uporabljajte izključno plastiko primerno za mikrovalovne pečice. Upoštevajte navodila proizvajalca. Morala bi imeti oznako "Microwave Safe". Nekatere plastične posode se zmehčajo med segrevanjem.
Plastična folija	Uporabljajte izključno folijo primerno za mikrovalovne pečice. Uporabljajte za prekrivanje hrane med segrevanjem, zaradi zadrževanja vlage. Plastična folija ne bi smela priti v stik s hrano.
Termometri	Izključno termometri primerni za uporabo v mikrovalovni pečici (za meso in kolače).
Papir za peko	Uporabljajte ga kot pokrov za preprečevanje škropljenja in za zadrževanje vlage

Materiali, ki niso primerni za uporabo v mikrovalovni pečici

Materiali	Opombe
Aluminijski krožniki	Lahko povzročijo iskrenje. Hrano prestavite v posodo primerno za mikrovalovne pečice.
Posode s kovinskimi ročaji	Lahko povzročijo iskrenje. Hrano prestavite v posodo primerno za mikrovalovne pečice.
Kovinske posode ali posode s kovinskim robom	Kovina ščiti hrano od mikrovalovne energije. Kovinski robovi lahko povzročijo iskrenje.
Kovinske žice	Lahko povzročijo iskrenje ali požar v pečici.
Papirnate vrečke	Lahko povzročijo požar v pečici.
Plastična pena	Plastična pena može se lahko pri visoki temperaturi stopi ali kontaminira notranjost pečice.
Les	Les se pri uporabi v mikrovalovni pečici izsuši, lahko pa se tudi razcepi ali počí.

NAMESTITEV PEČICE

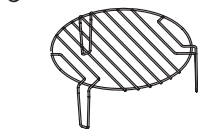
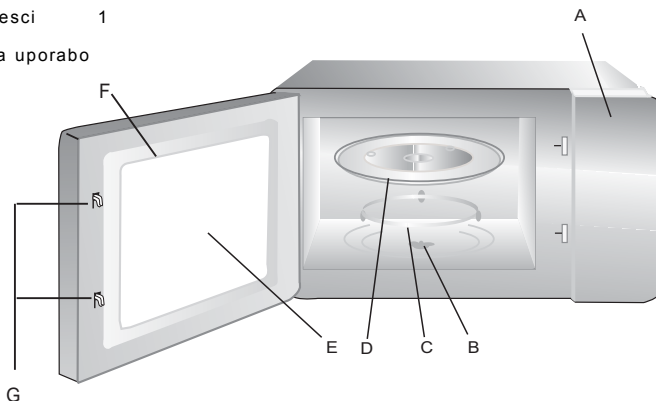
Deli pečice in dodatki

Odstranite vso embalažo iz pečice. Pečici pripadajo naslednji dodatki:

Stekleni pladenj 1

Obroč s kolesci 1

Navodiča za uporabo



- A) Kontrolna plošča
- B) Obroč pladnja
- C) Obroč s kolesci
- D) Stekljeni pladenj
- E) Okno
- F) Vrata
- G) Sistem za vratno zapiranje

Rešetka za žar (Uporablja se samo s funkcijo žar, postavi se na stekleni pladenj)

Namestitev rotirajuče plošče

Srednja (spodnja) stran



- a. Nikoli ne postavljajte steklenega pladnja z glavo navzdol. Steklenega pladnja nič ne sme ovirati.
- b. Pri segrevanju morate vedno uporabljati stekleni pladenj in obroč s kolesci.
- c. Pri segrevanju morajo biti posode s hrano vedno postavljene na stekleni pladenj.
- d. V kolikor se stekleni pladenj ali kolesca poškodujejo ali počijo, stopite v stik z najbližjim pooblaščenim servisom.

Namestitev in priključitev

- 1. Aparat je namenjen izključno za gospodinjsko uporabo.**
- 2. Pečica je namenjena izključno za vgradnjo in ne za uporabo na pultu ali v omari.**
- 3. Upoštevajte posebna navodila za namestitev.**
- 4. Pečico lahko namestite v 60 cm široko visečo polico.**
- 5. Aparat ima vtič, ki se sme priključiti samo na ustrezno ozemljeno električno vtičnico.**
- 6. Električno napajanje mora zagotavljati napetost navedeno na napisni tablici aparata.**
- 7. Nameščanje vtiča ali zamenjavo napajalnega kabla sme opraviti samo ustrezno usposobljena oseba. Če vtičnica po namestitvi ni dostopna, mora biti nameščeno ločilno stikalo, ki ima najmanj 3 mm prostora med kontakti.**
- 8. Ne smete uporabljati adapterjev ali električnih podaljškov z aparatom, saj lahko preobremenitev povzroči požar.**



Zunanje površine aparata se lahko med obratovanjem močno segrejejo.

Navodila za namestitev

Pred namestitvijo prosimo pozorno preberite navodila

Opomba

Električni priključek

Aparat ima vtič, ki se sme priključiti samo na ustrezno ozemljeno električno vtičnico.

Električno napajanje mora zagotavljati napetost navedeno na napisni tablici aparata.

Nameščanje vtiča ali zamenjavo napajalnega kabla sme opraviti samo ustrezno usposobljena oseba.

Če vtičnica po namestitvi ni dostopna, mora biti nameščeno ločilno stikalo, ki ima najmanj 3 mm prostora med kontakti.

Polica v katero nameravate vgraditi aparat, ne sme imeti zid na zadnji strani.

Med zidom in osnovo aparata mora biti določena razdalja, ki je navedena v spodnjih diagramih.

Minimalna višina za namestitev: 85 cm.

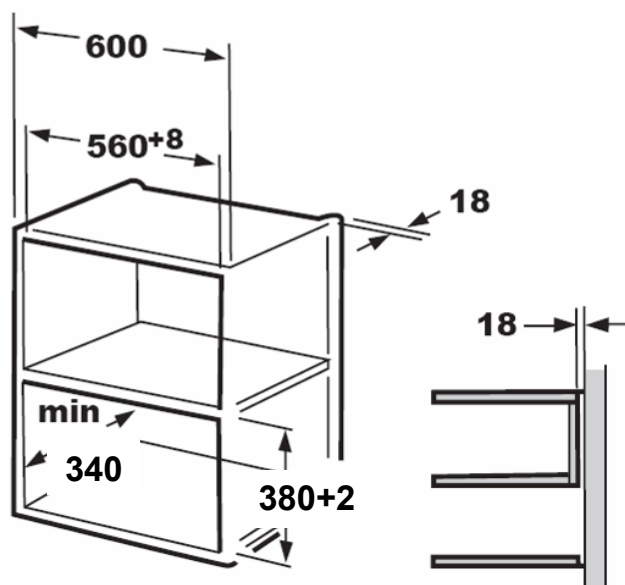
Ne pokrivajte odprtin za prezračevanje in za sesanje zraka.

Opomba:

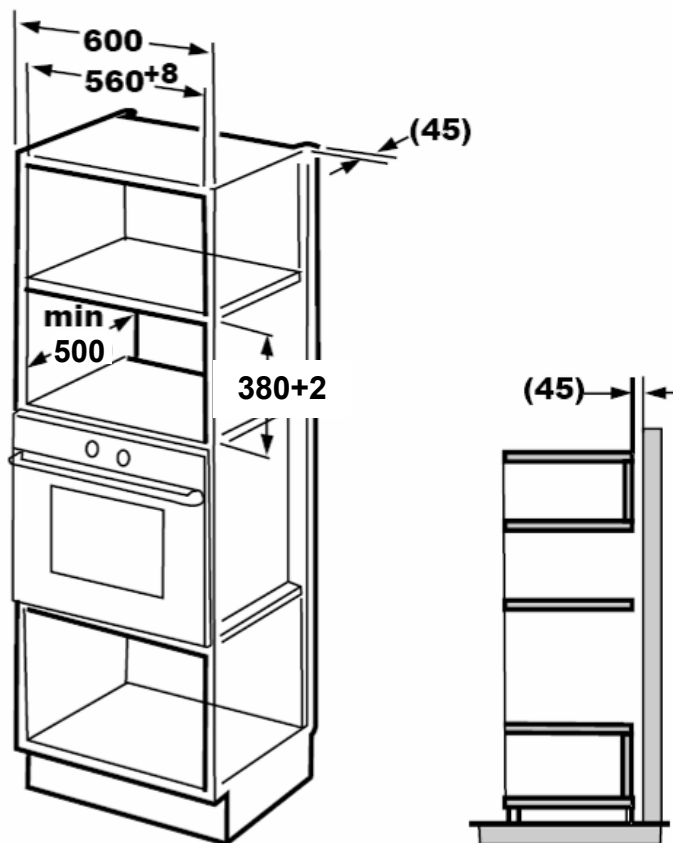
Napajalnega kabla ne smete pregibati ali zagozditi med elemente.

A. Pohišstvo za vgradnjo

1.



2.

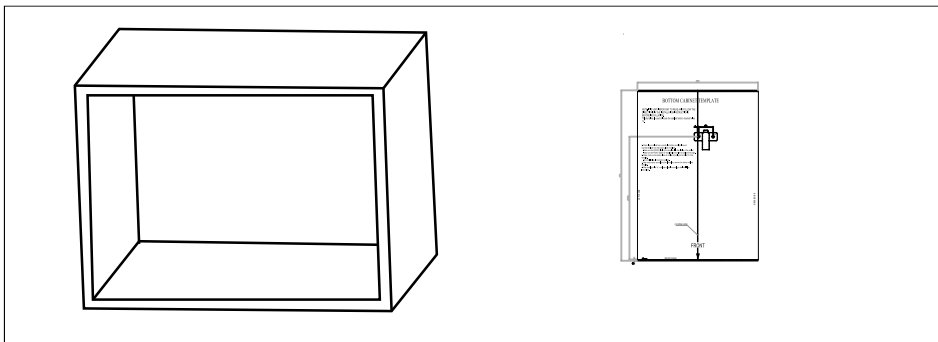


Opomba:

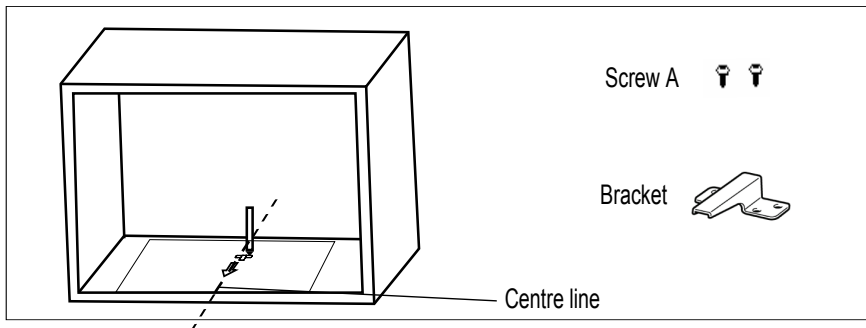
Pri obeh vrstah namestitve je potrebno uporabiti nosilec in vzorec za dno police.

B. Priprava police

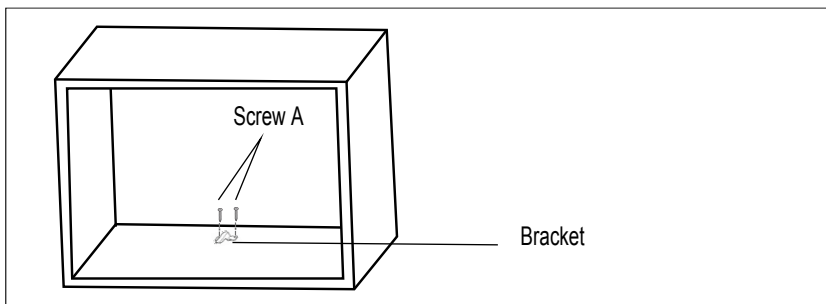
1. Preberite navodilo za VZOREC ZA DNO POLICE , postavite vzorec na dno police.



2. Napravite oznake na dnu police, tam kjer je na vzorcu označeno s črko A



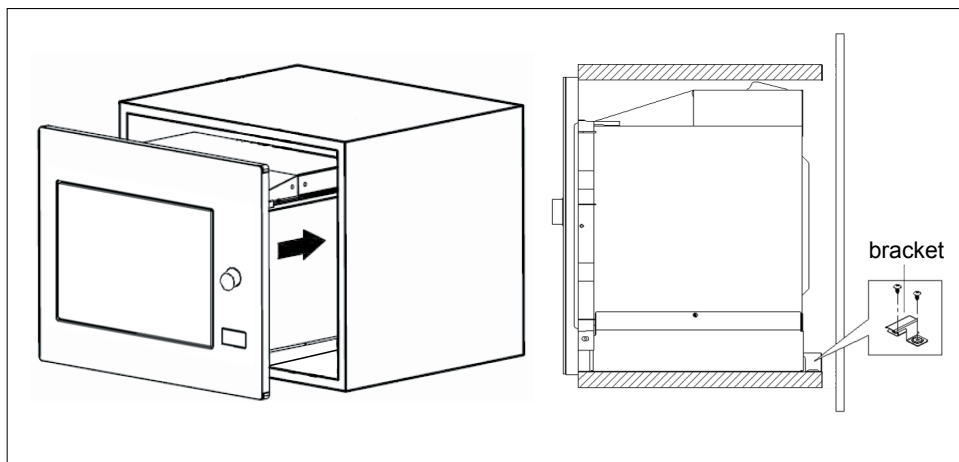
3. Odstranite vzorec in privijte nosilec z vijakom A



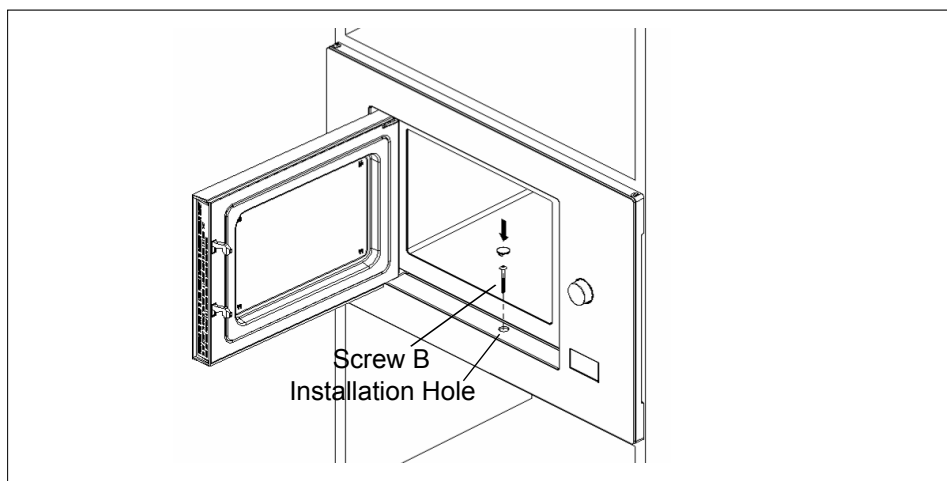
C .Namestite v pečice

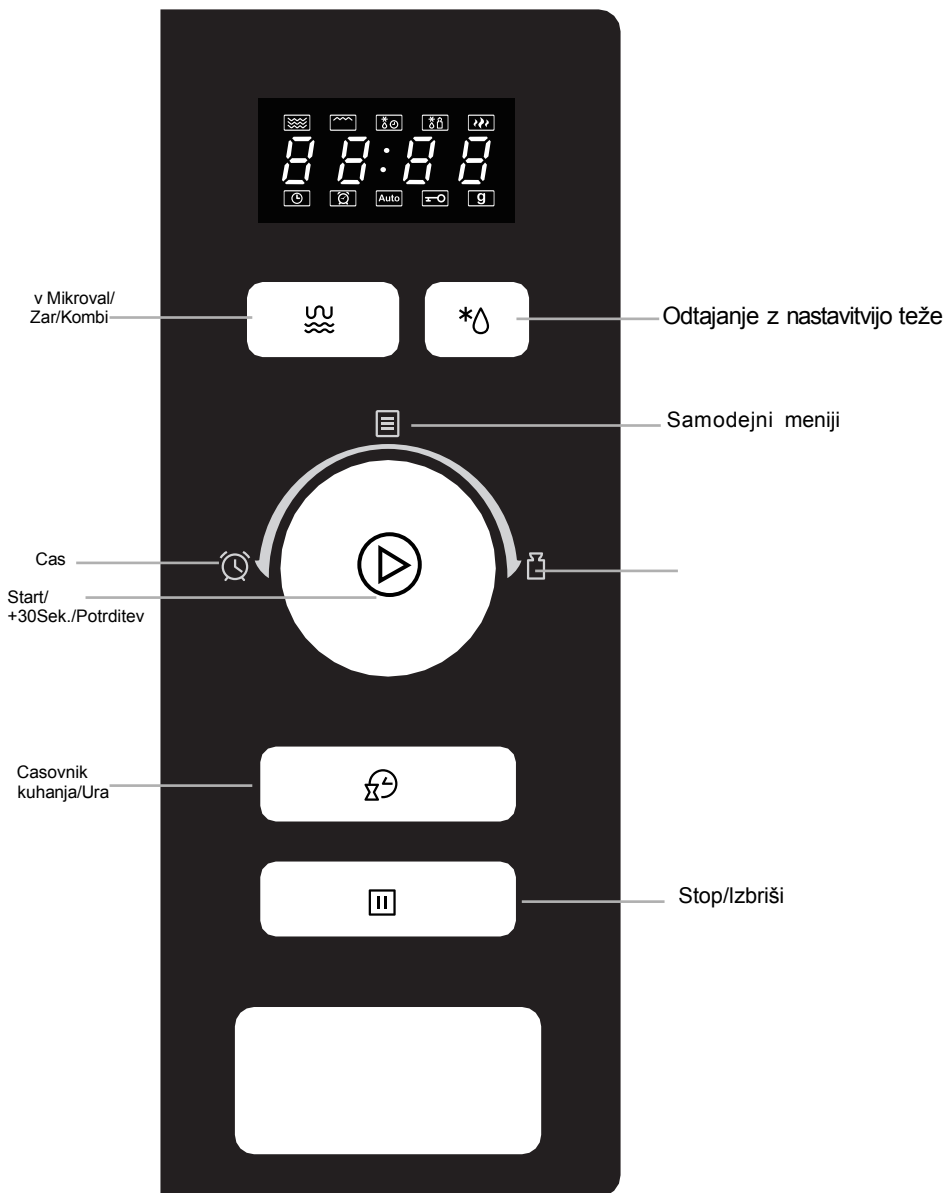
4. Namestitev pečice v polico

- Prepričajte se, da se je zadnja stran pečice usedla na nosilec.
- Ne pregibajte in ne zagozdite napajalnega kabla.



5. Odprite vrata, pritrdite pečico na polico s privijanjem vijaka B v namestitveno luknjo. Nato namestite plastični pokrovček na namestitveno luknjo.







Navodila za uporabo

1. Nastavitev časovnika

Kadar prižgete pečico se bo na zaslonu prikazalo »0:00« prav tako pa se bo enkrat oglasil zvočni signal.



- 1) Pritisnite dvakrat gumb " Časovnik kuhanja/Ura" da bi izbrali funkcijo časovnika, cifre za ure na zaslonu bodo začele utripati.
- 2) Obrnite  vrtljivi gumb da bi nastavili ure, izberete lahko vrednosti 0--23.
- 3) Pritisnite gumb " Časovnik kuhanja/Ura, cifre za minute na zaslonu bodo začele utripati.
- 4) Obrnite  vrtljivi gumb da bi nastavili minute, izberete lahko vrednosti 0--59.
- 5) Pritisnite gumb " Časovnik kuhanja/Ura " da bi potrdili nastavitev. Ločilno dvopičje ":" bo zasvetilo, in izbrani čas bo prikazan.

Opomba: 1) Če ne nastavite čas, aparat ne bo začel segrevati.

- 2) Če med nastavitvijo časovnika pritisnete »Stop/Izbriši«, se bo pečica vrnila na predhodno stanje.


2. Mikrovalovno pečenje

Pritisnite gumb " Mikrov./Žar/Kombi. " nakar se bo na zaslonu prikazalo "P100". Pritisnite gumb "

Mikrov./Žar/Kombi. " nekaj krat ali obrnite gumb  , "da bi izbrali moč, ki jo želite, nakar se bodo prikazale vrednosti "P100", "P80" "P50", "P30" or "P10" vsakič ko pritisnete gumb. Nato pritisnite gumb " Start/+ 30 Sek./Potrditev " za potrditev, in obrnite gumb  , da nastavite čas kuhanja od 0:05

do 95:00. Ponovno pritisnite " Start/+ 30 Sek./Potrditev " za začetek kuhanja.

Primer: Če želite uporabiti 80 % moči mikrovalovne pečice in kuhati 20 minut, sledite naslednje korake:


- 1) Pritisnite gumb " Mikrov./Žar/Kombi. " enkrat, na zaslonu se bo prikazalo "P100".
- 2) Pritisnite gumb " Mikrov./Žar/Kombi. " še enkrat, da bi nastavili 80% moči pečice.
- 3) Pritisnite " Start/+ 30 Sek./Potrditev" za potrditev, na zaslonu se bo prikazalo "P 80".
- 4) Obrnite vrtljivi gumb  in nastavite čas kuhanja na "20:00".
- 5) Pritisnite " Start/+ 30 Sek./Potrditev " za začetek kuhanja.

Opomba: koraki za nastavitev so naslednji:

0-1 min:	5 sekund
1-5 min:	10 sekund
5-10 min:	30 sekund
10-30 min:	1 minuta
30-95 min:	5 minute

Mikrov./Žar/Kombi, Vrstni red	Prikaz na zaslonu	Moč mikrovalovnega segrevanja	Moč žara
1	P100	100%	
2	P80	80%	
3	P50	50%	
4	P30	30%	
5	P10	10%	
6	G	0%	100%
7	C-1	55%	45%
8	C-2	36%	64%

3. Žar ali kombinirano kuhanje

Pritisnite gumb "Mikrov./Žar/Komb.", na zaslonu se bo prikazalo "P100". Nato pritisnite "Mikrov./Žar/Kombi." ali obrnite vrtljivi gumb, da bi izbrali moč pečice. Vsakič, ko ponovno pritisnete gumb "  " bo izbrana naslednja nastavev "G", "C-1" ali "C-2".


Nato pritisnite gumb "Start/+ 30 Sek./Potrditev" za potrditev in z vrtljivim gumbom nastavite čas kuhanja od 0:05 do 95:00. Ponovno pritisnite " Start/+ 30 Sek./Potrditev " za začetek kuhanja.

Primer: Če želite uporabiti 55% mikrovalovne moči in 45% moči žara (C-1) ter kuhati 10 minute, sledite naslednje korake:


- 1) Pritisnite gumb " Mikrov./Žar/Kombi. " enkrat, na zaslonu se bo prikazalo "P100".
- 2) S pritiskanjem na gumb " Mikrov./Žar/Kombi. " ali z vrtljivim gumbom izberite kombinirani režim 1.
- 3) Pritisnite "Start/+ 30 Sek./Potrditev" za potrditev, nakar bo se bo na zaslonu prikazalo "C-1".
- 4) Z vrtljivim gumbom nastavite čas kuhanja na "10:00".
- 5) Pritisnite " Start/+ 30 Sek./Potrditev " za začetek kuhanja.

Opomba: Po preteku polovice časa kuhanja oglasita dva zvočna signala, to je normalno. Da bi žar boljše spekel hrano, jo je priporočljivo obrniti, zapreti vrata in pritisniti gumb "Start/+ 30 Sek./Potrditev" za nadaljevanje kuhanja. Če ničesar ne storite bo peč nadaljevala z obratovanjem.


4. Hiter zagon

- 1) V stanju pripravljenosti, pritisnite "Start/+ 30 Sek./Potrditev" za začetek kuhanja pri moči 100 %, vsak dodatni pritisk na isti gumb, doda 30 sekund časa kuhanja do največ 95 minut.
- 2) V načinu kombiniranega delovanja mikrovalovna/žar ali načinu odtajanja, z vsakim pritiskom na gumb "Start/+ 30 Sek./Potrditev" podaljšate čas obratovanja za 30 sekund.
- 3) V stanju pripravljenosti, z vrtljivim gumbom  izberite čas kuhanja z 100 % mikrovalovne moči in nato pritisnite "Start/+ 30 Sek./Potrditev" za začetek kuhanja.


5. Odtajanje z nastavitvijo teže

- 1) Pritisnite gumb "Odtajanje teža/čas" enkrat, nakar se bo na zaslonu prikazal napis "dEF1".
- 2) Z vrtljivim gumbom  izberite težo hrane med 100 in 2000 g.
- 3) Pritisnite "Start/+ 30 Sek./Potrditev" za začetek odtajanja.



6. Odtajanje z nastavitvijo časa

- 1) Pritisnite gumb "Odtajanje teža/čas" dvakrat, nakar se bo na zaslonu prikazal napis "dEF2".
- 2) Z vrtljivim gumbom  izberite čas odtajanja, največ do 95 minut.
- 3) Pritisnite "Start/+ 30 Sek./Potrditev" za začetek odtajanja. Moč uporabljena za odtajanje je P30 in se ne spreminja.

7. Časovnik za kuhanje

- (1) Pritisnite gumb "Časovnik kuhanja/Ura" enkrat, da se na zaslonu prikaže 00:00.
 - (2) Z vrtljivim gumbom  izberite želeni čas (največ 95 minut).
 - (3) Pritisnite "Start/+ 30 Sek./Potrditev" za potrditev nastavitve.
 - (4) Kadar je dosežen nastavljeni čas, se bo indikator časovnika ugasnil. Oglasilo se bo pet zaporednih zvočnih signalov. Če je nastavljena ura (24-urni prikaz) se bo na zaslonu prikazala trenutna ura.
- Opomba: Časovnik kuhanja ni povezan z 24-urnim prikazom ure, gre za časovnik (timer).

8. Samodejni meniji

- 1) Obrnite vrtljivi gumb  v desno in izberite meni, prikazale se bodo opcije od A-1 do A-8.
- 2) Pritisnite "Start/+ 30 Sek./Potrditev" za potrditev izbire.
- 3) Z vrtljivim gumbom  izberite ustrezno težo, glede na tabelo menijev.
- 4) Pritisnite "Start/+ 30 Sek./Potrditev" za začetek kuhanja.

Primer: Če želite s pomočjo samodejnih menijev kuhati ribo, ki tehta 350 g.



- 1) Z vrtljivim gumbom  izberite nastavev A-6.
- 2) Pritisnite "Start/+ 30 Sek./Potrditev" za potrditev izbire.
- 3) Z vrtljivim gumbom  izberite težo 350 g.
- 4) Pritisnite "Start/+ 30 Sek./Potrditev" za začetek kuhanja.




Tabela menijev:

Meni	Teža	Na zaslonu
A-1	200 g	200
Pica	400 g	400
A-2	250 g	250
Meso	350 g	350
	450 g	450
A-3	200 g	200
Zelenjava	300 g	300
	400 g	400
A-4	50g(s 450 ml hladne vode)	50
Testenine	100g(z 800 ml hladne vode)	100
A-5	200 g	200
Krompir	400 g	400
	600 g	600
A-6	250 g	250
Riba	350 g	350
	450 g	450
A-7	1 skodelica (120 ml)	1
Pijača	2 skodelici (240 ml)	2
	3 skodelice (360ml)	3
A-8	50 g	50
Pokovka	100 g	100

9. Večstopenjska obdelava hrane

Pri termični obdelavi hrane lahko izberete največ dve stopnji. Če pri večstopenjski termični obdelavi kot eno od stopenj izberete odtajanje, se bo samodejno uvrstilo kot prvi korak v obdelavi.

Primer: Če želite najprej 5 minut odtajati, nato pa 7 minut kuhati hrano z 80 % mikrovalovne moči, sledite naslednje korake:


- 1) Pritisnite gumb "Odtajanje teža/čas" dvakrat, nakar se bo na zaslonu prikazal napis "dEF2".
- 2) Z vrtljivim gumbom  izberite čas odtajanja 5:00.
- 3) Pritisnite gumb " Mikrov./Žar/Kombi. " enkrat, na zaslonu se bo prikazalo "P100".
- 4) Pritisnite gumb " Mikrov./Žar/Kombi. " še enkrat ali z vrtljivim gumbom  izberite 80 % mikrovalovne moči.
- 5) Pritisnite "Start/+ 30 Sek./Potrditev" za potrditev, na ekranu se bo prikazal napis P 80.
- 6) Z vrtljivim gumbom  izberite čas kuhanja 7:00.
- 7) Pritisnite "Start/+ 30 Sek./Potrditev" za začetek kuhanja, nakar se bo zaslišal en zvočni signal in časovnik odtajanja bo začel odštevati. Pri prehodu na drugo stopnjo se bo zaslišal še en zvočni signal, nakar bo časovnik kuhanja začel odštevati. Ko se kuhanje konča, se bo zaslišalo pet zaporednih zvočnih signalov.

10. Funkcija poizvedbe

- (1) Pri obratovanju kombiniranega mikrovalovnega kuhanja in žara, pritisnite gumb "Mikrov./Žar/Kombi." nakar se bo za 3 sekunde na zaslonu prikazala trenutna moč obratovanja ali način delovanja žara. Po treh sekundah se bo prikazovalnik vrnil na predhodni prikaz.
- (2) Pri obratovanju v načinu kuhanja pritisnite gumb "Časovnik kuhanja/Ura", nakar se bo za 3 sekunde prikazal čas kuhanja.

11. Varnostno zaklepanje

Zaklepanje:

V stanju pripravljenosti, pritisnite gumb "Stop/Izbriši" in ga držite 3 sekunde, nakar se bo zaslišal dolg zvočni signal, kar pomeni, da je pečica zaklenjena. Na zaslonu bo prikazana ura, če je nastavljena, če ne pa bo prikazan znak  , svetili pa bodo tudi indikatorji zaklepa.

Odklepanje:

V zaklenjenem stanju pritisnite gumb "Stop/Izbriši" in ga držite 3 sekunde, nakar se bo zaslišal dolg zvočni signal, kar pomeni, da je pečica odklenjena.

ODSTRANITEV NAPAKA

Normalni pojavi	
Mikrovalovna ovira sprejem TV signala	Mikrovalovna pečica lahko pri delovanju ovira sprejem radijskega in TV signala. To podobno interferenci, ki jo povzročajo majhni gospodinjski aparati, kot so mešalnik, sesalnik in sušilnik za lase. To je normalno.
Zatemnjena luč v notranjosti pečice	Pri kuhanju na nizki nastavitvi moči, se lahko luč v pečici nekoliko zatemni. To je normalno.
Pri vratih kondenzira vlago, iztopa vroč	Med kuhanjem hrane lahko gredo ven paro. Večina bo šel ven skozi odprtine za prezračevanje, ali njen del se lahko kondenzira na hladnih mestih, kot so vrata pečice. To je normalno.
Pečica po naključju začela brez hrane v njej.	Prepovedana je uporaba prazne pečice prazna. To je zelo nevarno. Takoj izklopite.

Problem	Možen vzrok	Rešitev
Pečica se noče prižgati	(1) Električni kabel ni pravilno priključen	Izključite kabel, ter ga po desetih sekundah ponovno priključite
	(2) Uničena varovalka	Zamenjajte varovalko
	(3) Problem z vtičnico	Preizkusite vtičnico z drugimi električnimi aparati
Pečica ne segreva	(4) Vrata niso dobro zaprta	Dobro zaprite vrata
Stekleni pladenj proizvaja hrup med delovanjem pečice	(5) Obroč s kolesci na dnu pečice je umazan	O čiščenju preberite v delo "Vzdrževanje mikrovalovne pečice"



Po direktivi o odlaganju električne in elektronske opreme (WEEE), je za takšno opremo potrebno ločeno zbiranje in predelava. V kolikor želite odložiti aparat, vas prosimo, da ga ne odlagate skupaj z navadnim gospodinjskim odpadkom, temveč ga odložite na ustrezno mesto za zbiranje.



VOX
ELECTRONICS

BIH

MNE

IMWH- GD202IX

UPUTSTVO ZA UPOTREBU MIKROTALASNA RERNA

Pažljivo pročitajte ovo uputstvo prije korišćenja Vaše rerne i pažljivo ga čuvajte.

Ako budete slijedili ovo uputstvo, Vaša mikrotalasna će Vas dobro služiti mnogo godina.

PAŽLJIVO ČUVAJTE OVO UPUTSTVO

PREDOSTROŽNOSTI ZA IZBJEGAVANJE MOGUĆEG PREKOMJERNOG IZLAGANJA MIKROTALASNOJ ENERGIJI

- (a) Ne pokušavajte koristiti ovu rernu sa otvorenim vratima jer to može rezultirati štetnim izlaganjem mikrotalasnoj energiji. Važno je ne lomiti ili ne rotirati bezbjednosne spojeve.
- (b) Ne postavljajte nikakve predmete između prednje strane rerne i vrata, ne dopuštajte nakupljanje prljavštine ili sredstava za čišćenje na površinama za dihtovanje.
- (c) **UPOZORENJE:** Ukoliko su vrata ili vratni dihtunzi oštećeni, rerna ne smije da se koristi dok ih ne zamijeni stručna osoba.

DODATAK

Ukoliko se uređaj ne održava čistim, to može da utiče na njegovu površinu i radni vijek, te da dovede do opasnih situacija.

Specifikacije

Model:	IMWH-GD202IX
Radni napon:	230V~ 50Hz
Nazivna ulazna snaga (mikrotalasi):	1250 W
Nazivna izlazna snaga (mikrotalasi):	800 W
Nazivna ulazna snaga (grill)	1000 W
Kapacitet rečne:	20 L
Prečnik okretnog tanjira:	Ø 245 mm
Spolne dimenzije:	595x343.5x388mm
Neto težina:	Približno 15 kg

VAŽNA SIGURNOSNA UPUTSTVA

UPOZORENJE

Za smanjenje rizika od požara, strujnog udara, fizičkih povreda ili prekomjernog izlaganja mikrotalasnoj energiji prilikom upotrebe Vašeg uređaja, molimo da se pridržavate osnovnih mjera predostrožnosti, uključujući i sljedeće:

1. **Upozorenje:** Tečnosti i drugu hranu ne zagrijavati u zatvorenim posudama jer su podložne eksplozijama
2. **Upozorenje:** Uklanjanje poklopca koji štiti od izlaganja mikrotalasnoj energiji je opasno po bilo koga osim stručne osobe.
3. Ovaj uređaj mogu koristiti djeca uzrasta iznad 8 godina starosti, kao i osobe sa smanjenim fizičkim, čulnim ili mentalnim sposobnostima ili nedostatkom iskustva i znanja, ako su pod nadzorom ili poseduju instrukcije za upotrebu aparata na bezbjedan način uz razumijevanje opasnosti rukovanja. Djeca ne treba da se igraju sa aparatom. Čišćenje i održavanje ne bi trebalo da obavljaju djeca koja nisu starija od 8 godina i pod nadzorom.
4. Držite aparat i njegov kabl van domašaja djece mlađe od 8 godina.
5. Koristite samo posuđe prikladno za upotrebu u mikrotalasnim rernama.
6. Rerna bi trebalo redovno da se čisti i da se uklanjaju talozi hrane.
7. Pročitajte i pridržavajte se **"PREDOSTROŽNOSTI ZA IZBJEGAVANJE MOGUĆEG PREKOMJERNOG IZLAGANJA MIKROTALASNOJ ENERGIJI**
8. Prilikom grijanja hrane u plastičnim ili papirnim posudama pazite na rernu zbog opasnosti od vatre.
9. U slučaju pojave plamena, ugasite rernu ili je isključite iz struje, te držite zatvorena vrata pećnice kako bi se vatra ugasila.
10. Nemojte prekuvavati hranu.
11. Nemojte koristiti unutrašnjost rerne za skladištenje. Ne držite predmete poput hljeba, kolača, itd. unutar rerne.
12. Uklonite žičane spajalice i metalne drške sa papirnih

ili plastičnih posuda/kesica prije njihovog stavljanja u rernu.

13. Instalirajte ili postavite ovu rernu isključivu u skladu sa priloženim uputstvima za instalaciju.

14. Jaja u ljusci i tvrdo kuvana jaja ne bi trebalo grijati u mikrotalasnoj rerni jer mogu da eksplodiraju, čak i nakon završetka grijanja u rerni.

15. Ovaj aparat je namijenjen upotrebi u domaćinstvu i sličnim objektima kao što su:

- kuhinja za osoblje, kancelarije i slična radna okruženja -u hotelima, motelima i sličnim rezidencijalnim okruženjima

- seoskim kućama;

- prenoćištima.

16. Ukoliko se strujni kabl ošteti, treba ga zamijeniti proizvođač, ovlašćeni serviser ili slične kvalifikovane osobe kako bi se izbjegle moguće opasnosti.

17. Ne držite i ne koristite ovaj uređaj na otvorenom.

18. Ne koristite ovu rernu u blizini vode, mokrom podrumu ili u blizini bazena.

19. Tokom rada temperatura dostupnih područja može biti visoka. Držite kabl napajanja podalje od toplih površina, te ne pokrivajte otvore na rerni.

20. Ne dopuštajte da strujni kabl visi preko ivice stola ili radne površine.

21. Neodržavanje rerne čistom može da dovede do propadanja njenih površina, što može da skрати vijek trajanja uređaja i rezultira opasnim situacijama.

22. Kako bi se izbjegle opekotine, sadržaje dječijih flašica i tegli sa dečjom hranom treba prije hranjenja promiješati ili protresti, te im provjeriti temperaturu.

23. Grijanje napitaka u mikrotalasnoj rerni može da rezultira zakasnelim eruptivnim ključanjem, te zato mora da se pazi prilikom rukovanja sa posudom u kojoj se nalazi napitak.

24. Uređaj nije namjenjen za upotrebu od strane osoba (uključujući i djecu) sa smanjenim fizičkim, čulnim ili mentalnim sposobnostima ili nedostatkom iskustva i znanja osim ukoliko nisu pod nadzorom ili su upućene u rad uređaja od strane osobe odgovorne za njihovu

bezbjednost.

25. Djecu bi trebalo nadzirati kako bi se osiguralo da se ne igraju sa uređajem.

26. Mikrotalasna rerna ne smije da se ugrađuje u kuhinjske elemente osim ukoliko nije bila testirana za ugradnju u elemente.

27. Uređaj nije namjenjen za upravljanje putem eksternih tajmera ili drugih sistema za daljinsko upravljanje.

28. Zadnja površina uređaja treba da se postavi ispred zida.

29. Dijelovi aparata mogu da se zagriju za vrijeme korišćenja, zato decu treba držati dalje od aparata kako se ne bi opržili.

30. Ne smije se čistiti paročistačima.

31. Tokom upotrebe aparat se zagrijeva. Treba voditi računa da se izbjegne dodirivanje grijnih elemenata rerne.

32. Koristite samo sondu temperature koja se preporučuje za ovu rernu (za rerne snabdevene instalacijom za korišćenje sonde za provjeru temperature).

33. **UPOZORENJE:** Aparat i njegovi dostupni dijelovi zagrijevaju se prilikom upotrebe. Trebalo bi pažljivo izbeći dodirivanje grijnih elemenata. Djecu mlađu od 8 godina starosti treba držati dalje od aparata ako su bez nadzora.

34. Prilikom rada, dekorativna vrata moraju ostati otvorena (za rerne sa dekorativnim vratima).

PROČITAJTE PAŽLJIVO I ČUVAJTE ZA BUDUĆU UPOTREBU

Za smanjenje rizika od fizičkih povreda

Uzemljenje

OPASNOST

Opasnost od strujnog udara.

Dodirivanje nekih unutrašnjih delova može izazvati ozbiljne povrede ili smrt.

Ne rastavljajte ovaj uređaj.

UPOZORENJE

Opasnost od strujnog udara.

Neispravno uzemljenje može da rezultira strujnim udarom. Ne uključujte uređaj u utičnicu za struju dok ga ispravno ne instalirate i uzemljite.

Ovaj uređaj mora biti uzemljen. U slučaju strujnog kratkog spoja, uzemljenje smanjuje opasnost od strujnog udara putem odvodne žice za električnu struju.

Ovaj uređaj je opremljen uzemljenim strujnim kablom i utikačem sa kontaktom za uzemljenje. Utikač treba da se uključi u ispravno instaliranu i uzemljenu strujnu utičnicu. Konsultujte se sa kvalifikovanim električarom ili serviserom ukoliko u potpunosti ne razumijete uputstva za uzemljenje ili ukoliko niste sigurni je li uređaj ispravno uzemljen.

Ukoliko morate da koristite produžni kabl, koristite isključivo produžni kabl sa tri žice.

- 1. Strujni kabl je kratak kako bi se smanjili rizici od zapetljanja ili spoticanja o duži strujni kabl.**
- 2. Ukoliko se koristi dugi strujni kabl ili produžni kabl:**
- 3. Nominalna snaga strujnog kabla ili produžnog kabla mora biti jednaka ili veća od nominalne snage uređaja.**
- 4. Produžni kabl mora da bude uzemljenog tipa.**
- 5. Dugi strujni kabl treba da se provede tako da ne visi preko ruba radne površine ili stola gdje mogu da ga povuku djeca ili gdje preko njega može slučajno da se spotakne.**

ČIŠĆENJE

Obavezno isključite rernu iz strujne utičnice.

- 1. Nakon upotrebe unutrašnjost pećnice očistite lagano vlažnom krpom.**
- 2. Dodatke očistite na uobičajeni način u vodi sa sapunom..**
- 3. Kada su prijavi, okvir vrata, zaptivka i susedni dijelovi treba da se pažljivo očiste vlažnom krpom.**
- 4. Ne koristite jaka abrazivna sredstva za čišćenje ili oštre metalne strugače za čišćenje stakla vrata rerne, jer mogu da ogrebu površinu, što može rezultirati razbijanjem stakla.**
- 5. SAVJET ZA ČIŠĆENJE - za lakše pranje unutrašnjosti rerne od masnoće hrane, stavite pola limuna u činiju, dodajte 300ml vode. Obrišite rernu mekom, suvom krpom.**

OPREZ

Opasnost od povreda

Servisiranje ili popravljavanje koje uključuje uklanjanje poklopca za zaštitu od izlaganja mikrotalasnoj energiji opasno je za svakog, osim za stručno lice.

POSUĐE

Pogledajte uputstva o "Materijalima koji se mogu koristiti u mikrotalasnoj rerni ili koje bi trebalo izbjegavati". Postoji određeno nemetalno posuđe koje nije bezbjedno za upotrebu u mikrotalasnoj rerni. Ukoliko postoji sumnja, datu posudu možete testirati na dole opisani način.

Test posuđa:

1. Napunite posudu u mikrotalasnoj rerni 1 šoljicom hladne vode (250ml).
2. Kuvajte na maksimalnoj snazi 1 minut.
3. Pažljivo opipajte posudu. Ukoliko je prazna posuda topla, ne koristite je za kuvanje u mikrotalasnoj rerni.
4. Nemojte da prekoračite 1 minut prilikom kuvanja.

Materijali sigurni za upotrebu u mikrotalasnoj rerni

Materijal Napomene

Alu folija	Samo prekrivanje. Mogu se koristiti mali glatki komadi za prekrivanje tankih komada mesa ili pletine kako bi se spriječilo prekuvavanje. Ako je folija previše blizu zidovima rerne može da dođe do varničenja. Folija bi trebala da bude najmanje 2.5cm udaljena od zidova rerne.
Posuda za zapeći jelo	Pridržavajte se uputstava proizvođača. Dno posude mora da bude minimalno 5mm iznad tanjira koji se okreće. Neispravna upotreba može da izazove pucanje tanjira.
Servis za jelo	Isključivo oni koji su pogodni za upotrebu u mikrotalasnim pećnicama. Pridržavajte se uputstava proizvođača. Ne koristite napuklo ili oštećeno posuđe
Tegle	Uvijek uklonite poklopac. Koristite za grijanje dok hrana ne bude pretopla. Većina tegli nije otporna na toplinu i može da pukne.
Stakleno posuđe	Koristite isključivo vatrostalno stakleno posuđe. Na sudovima ne smije da bude metalnih rubova. Ne koristite napuklo ili oštećeno posuđe.
Kese za kuvanje	Pridržavajte se uputstava proizvođača. Ne zatvarajte metalnom vezicom. Napravite otvore za izlaz pare.
Papirnatih tanjiri i šoljice	Koristite isključivo za kratkotrajno kuvanje / grijanje. Ne ostavljajte bez nadzora tokom kuvanja.
Papirnatih salvete	Koristite za prekrivanje hrane za podgrijavanje i upijanje masnoće. Koristite pod nadzorom isključivo za kratkotrajno kuvanje.
Papir za kolače	Koristite kao poklopac kako biste spriječili prskanje ili kao omotač za parenje.
Plastika	Isključivo pogodna za upotrebu u mikrotalasnim rernama. Pridržavajte se uputstava proizvođača. Trebalo bi da bude označena sa "Microwave Safe". Neke plastične posude omekšavaju kako se hrana unutar njih zagreva.

Materijali nepogodni za upotrebu u mikrotalasnoj rerni

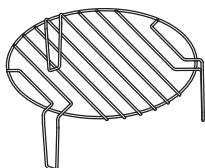
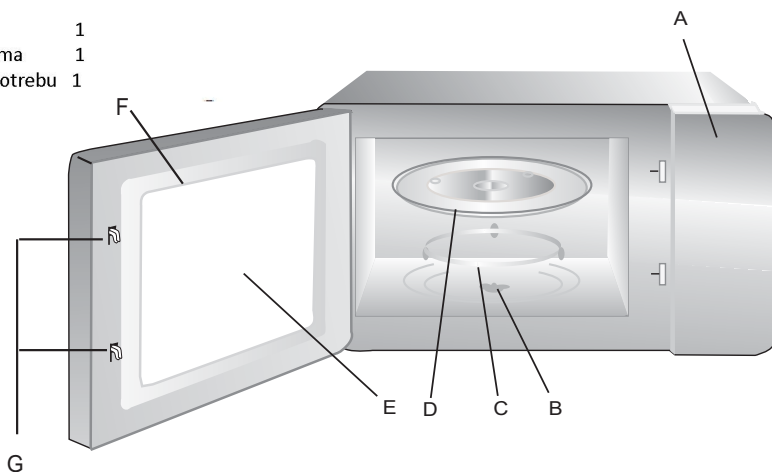
Kese za kuvanje	Trebalo bi da se zarežu, izbuše ili otvore, kako je naznačeno na ambalaži.
Plastična folija	Isključivo pogodna za upotrebu u mikrotalasnim pećnicama. Koristite za prekrivanje hrane tokom kuvanja radi zadržavanja vlage. Plastična folija ne bi smjela da dodiruje hranu
Termometri	Isključivo pogodni za upotrebu u mikrotalasnim rernama (za meso i kolače)
Masni papir	Koristite kao poklopac za sprječavanje prskanja i zadržavanje vlage.
Posude za hranu sa metalnim drškama	Može da izazove varničenje. Preseliti hranu u posudu pogodnu za mikrotalasne pećnice.
Metalne ili metalom obrubljene posude	Metal štiti hranu od mikrotalasne energije. Metalni rubovi mogu da izazovu varničenje.
Metalne vezice	Mogu da izazovu varničenje i vatru unutar rerne.
Papirnatih kese	Mogu da izazovu vatru u pećnici.
Plastična pena	Plastična pena može da se otopi ili kontaminira unutrašnjost rerne kada je izložena visokoj temperaturi.
Drvo	Drvo će prilikom upotrebe u u mikrotalasnoj pećnici da se isuši, a može i da se rascepa ili pukne.

POSTAVLJANJE VAŠE RERNE

Nazivi dijelova rerne i dodataka

Uklonite rernu i sve dodatke iz ambalaže i unutrašnjosti rerne. Uz Vašu rernu su priloženi sljedeći dodaci:

Stakleni tanjir	1
Obruč s točkicama	1
Uputstvo za upotrebu	1



Rešetka za grilovanje (Koristi se samo za funkciju grilovanja i postavlja se na stakleni tanjir)

- A) Kontrolna ploča
- B) Osovina za okretanje
- C) Obruč sa točkicama
- D) Stakleni tanjir
- E) Prozor za posmatranje
- F) Vrata
- G) Sistem za sigurno zatvaranje

Instalacija rotirajuće ploče

Srednja (donja) strana



- a. Nikada ne postavljajte stakleni tanjir naopako. Ništa ne smije da blokira stakleni tanjir.
- b. Za vrijeme kuvanja i stakleni tanjir i obruč sa točkicama uvijek moraju da se koriste.
- c. Prilikom kuvanja, svu hranu i posude uvijek treba staviti na stakleni tanjir.
- d. Ukoliko se stakleni tanjir ili obruč sa točkicama slome ili naprsnu, kontaktirajte najbliži servisni centar.

Postavljanje i priključivanje uređaja

1. Uređaj je namjenjen isključivo za upotrebu u domaćinstvu.
2. Rerna je namjenjena isključno za ugradnju, nikako za upotrebu na radnoj površini ili unutar kuhinjskog ormarića.
3. Molimo da se pridržavate posebnih instrukcija za postavljanje.
4. Rerna se može namjestiti unutar 60 cm širokog visećeg ormarića.
5. Uređaj ima utikač, koji se može priključiti samo na pravilno uzemljenu električnu utičnicu.
6. Električno napajanje mora odgovarati naponu navedenom na natpisnoj tablici uređaja.
7. Namještanje utikača ili zamjena strujnog kabla može se povjeriti samo kvalifikovanoj osobi. Ukoliko je utičnica po namještanju nedostupna, mora se postaviti višepolna utičnica sa najmanje 3 mm prostora među kontaktima.
8. Ne smijete koristiti adaptere ili produžne kablove, jer ukoliko dođe do preopterećenja, to lako prouzrokuje požar.

Pristupne površine uređaja mogu biti vruće tokom rada uređaja.



Uputstva za postavljanje

Molimo da prije postavljanja pažljivo pročitate uputstva

Napomena

Električni priključak

Uređaj ima utikač, koji se smije priključiti samo na pravilno uzemljenu utičnicu.

Električno napajanje mora odgovarati naponu navedenom na natpisnoj tablici uređaja.

Nameštanje utikača ili zamjena strujnog kabla može se povjeriti samo kvalifikovanoj osobi.

Ukoliko je utičnica po namještanju nedostupna, mora se postaviti višepolna utičnica sa najmanje 3 mm prostora među kontaktima.

Polica u kojoj namjeravate ugraditi uređaj, ne smije imati zid na zadnjoj strani.

Između zida i osnove uređaja mora biti određena razdaljina, koja je navedena na slikama ispod.

Minimalna visina za postavljanje: 85 cm.

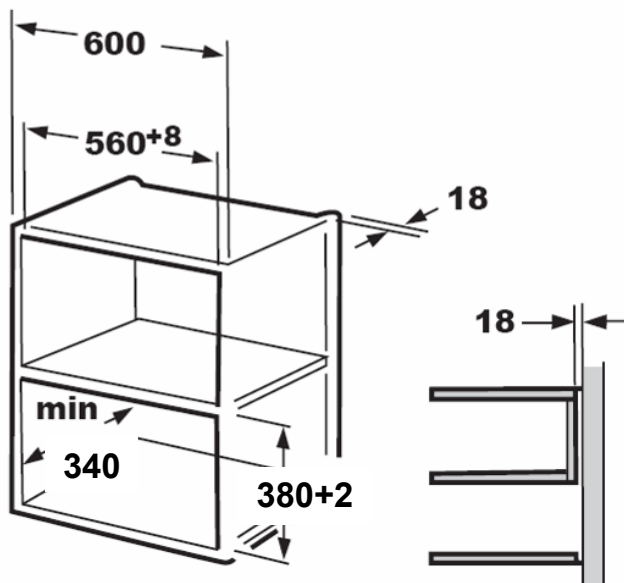
Ne pokrivajte otvore za ventilaciju.

Napomena:

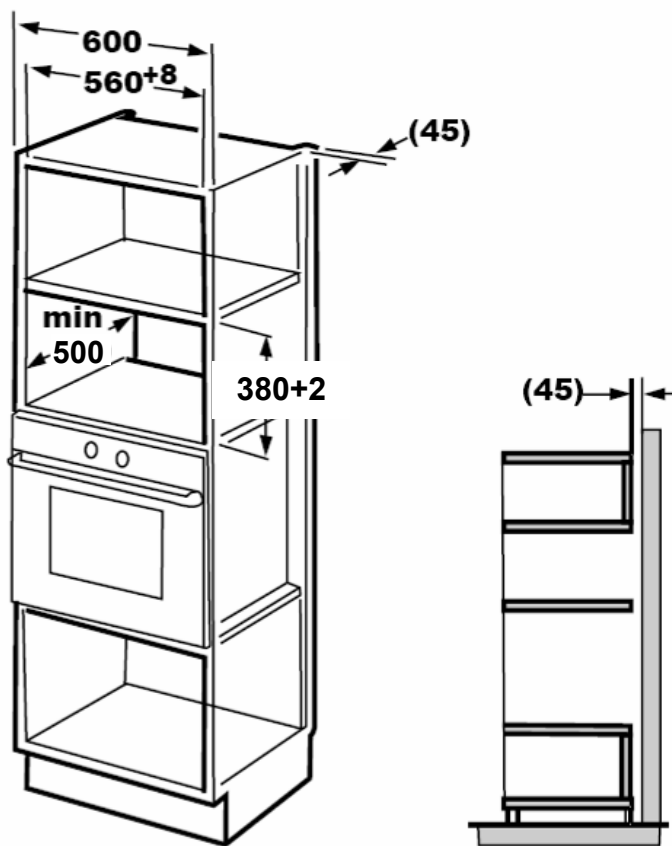
Nemojte savijati strujni kabl.

A. Korpus za ugradnju

1.



2.

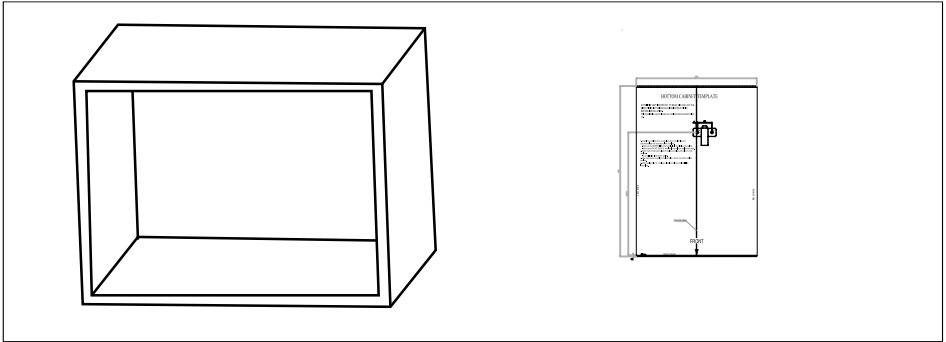


Napomena:

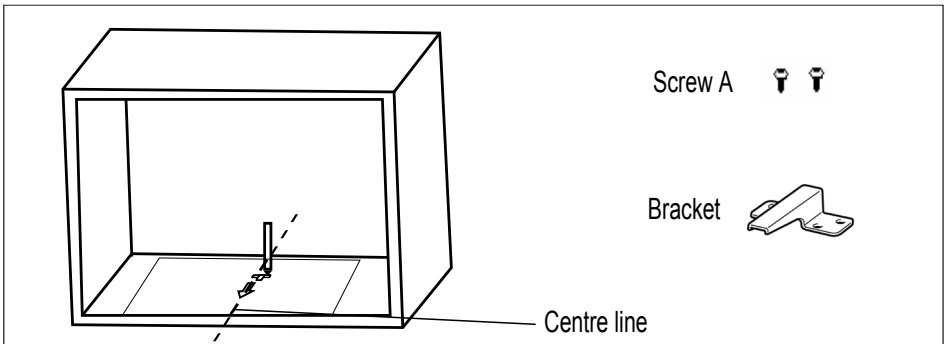
Kod obje vrste postavljanja potrebno je upotrebiti nosač i uzorak za dno police.

B. Priprema police

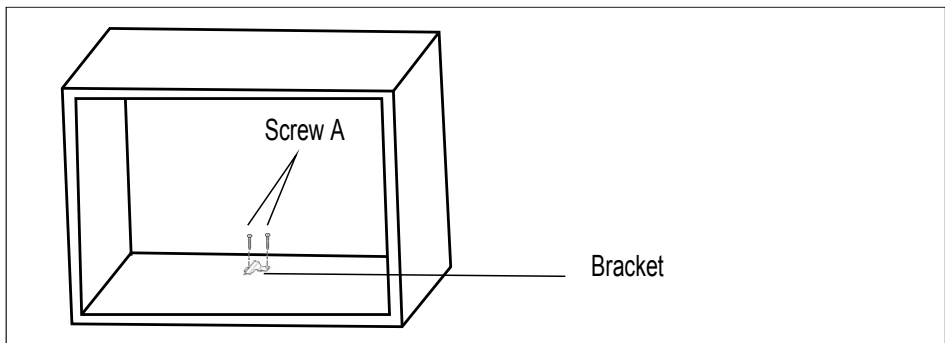
1. Pročitajte uputstvo za UZORAK ZA DNO POLICE , postavite uzorak na dno police.



2. Napravite oznake na dnu police, kao što je označeno na uzorku slovom A



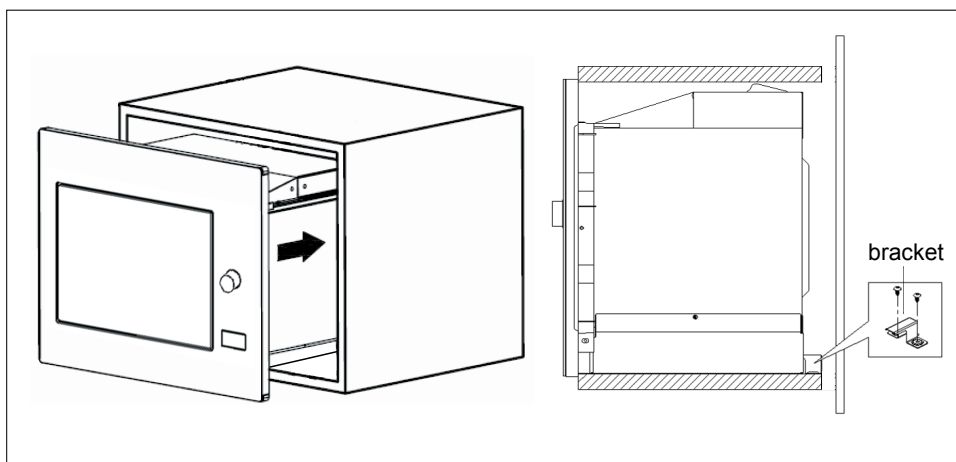
3. Odstranite uzorak i pričvrstite nosač šrafov A



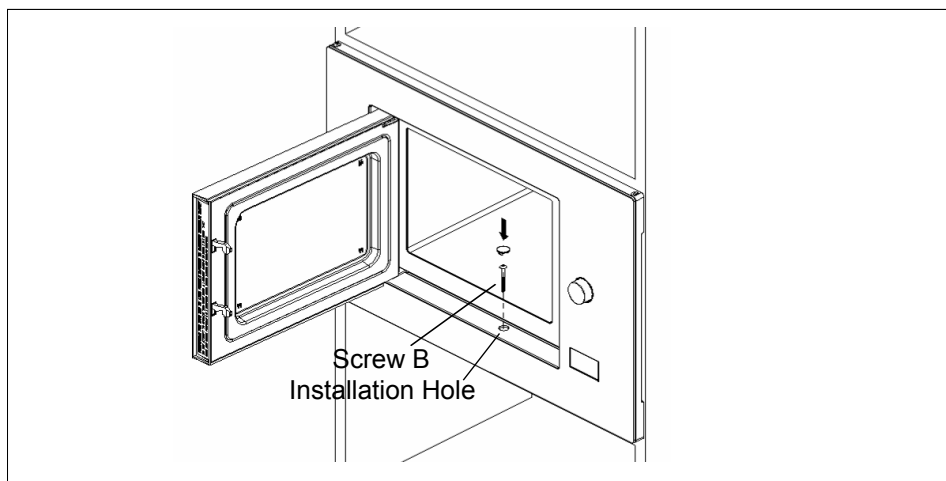
C . Postavljanje rerne

4. Postavljanje rerne u policu

- Uvjerite se da je zadnja strana rerne nalegla na nosač.
- Ne pregibajte niti savijajte strujni kabl.

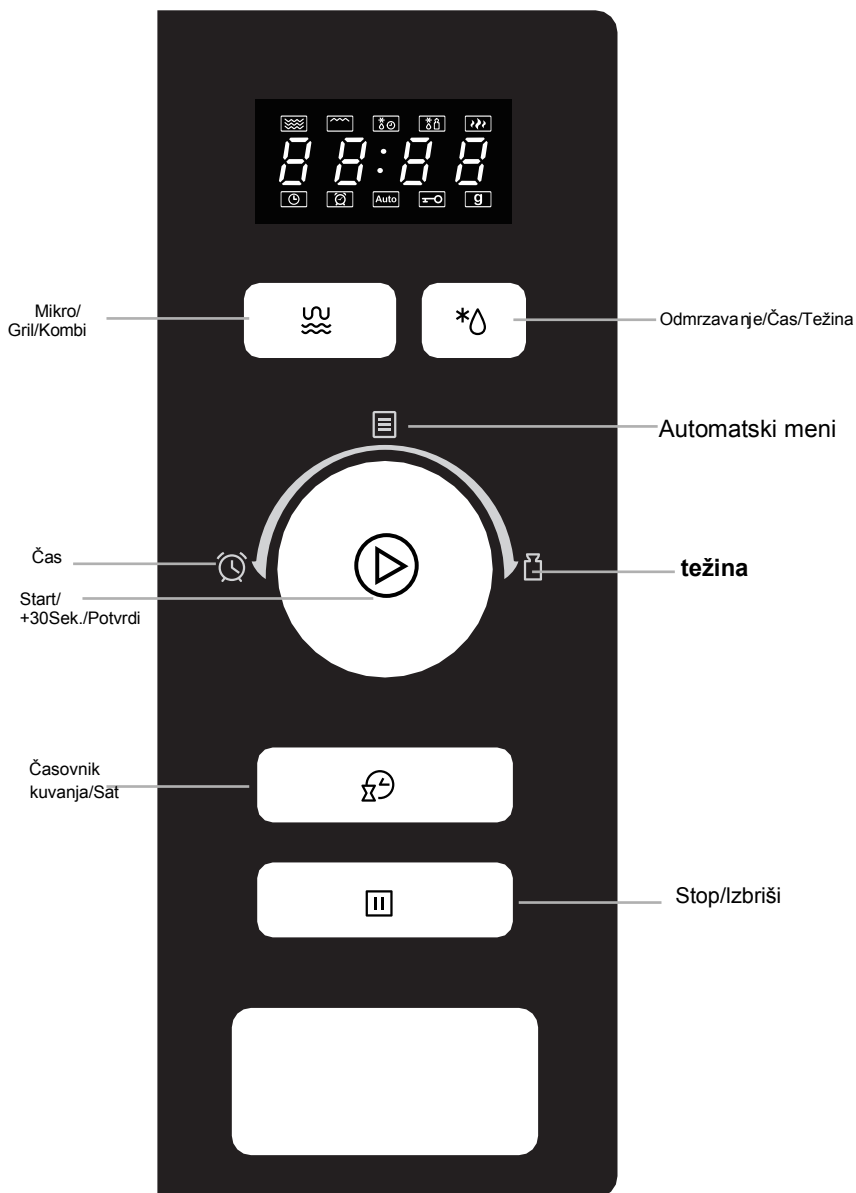


5. Otvorite vrata, pričvrstite rernu na policu uz pomoć šrafa B u označeni otvor. Zatim namestite plastični poklopac na označeno mjesto.



Upotreba



Kontrolna ploča i funkcije



Uputstva za upotrebu

1. Postavljanje časovnika


Kada priključite rernu, na ekranu će se prikazati »0:00« i čuće se zvučni signal.

- 1) Pritisnite dvaput dugme "Časovnik kuvanja/Čas" da biste izabrali funkciju časovnika, cifre za sate na ekranu će svijetliti.
- 2) Obrnite dugme  da biste postavili sate, izaberite vrijednosti 0—23.
- 3) Pritisnite dugme "Časovnik kuvanja/Sat, cifre za minute će početi da svijetle.
- 4) Obrnite dugme  da biste postavili minute, izaberite vrijednosti 0-59.
- 5) Pritisnite dugme "Časovnik kuvanja/Sat" da biste potvrdili postavke. Simbol će zasvijetliti i izabrani sat će biti prikazan.


Opomena: 1) Ako ne postavite sat, uređaj neće početi sa grijanjem.

- 2) Ako prilikom postavljanja sata pritisnete »Stop/Izbriši«, rerna se vraća na prethodno stanje.

2. Mikrotalasno pečenje

Pritisnite dugme "Mikro/Grill/Kombi." i na ekranu će se prikazati "P100". Pritisnite dugme "Mikro/Grill/Kombi" nekoliko puta ili okrenite dugme  da biste izabrali snagu koju želite i prikazaće se vrijednosti "P100", "P80", "P50", "P30" ili "P10" svaki put kada pritisnete dugme. Zatim pritisnite dugme "Start/+ 30 Sek./Potvrdi" da potvrdite, i okrenite dugme da postavite vrijeme kuvanja od 0:05 do 95:00. Ponovno pritisnite "Start/+ 30 Sek./Potvrdi" za početak kuvanja.

Primer: Ako želite upotrijebiti 80% snage mikrotalasne rerne i kuvati 20 minuta, slijedite sljedeće korake:


- 1) Pritisnite dugme " Mikro/Grill/Kombi." jednom, na ekranu će se prikazati "P100".
- 2) Pritisnite dugme " Mikro/Grill/Kombi." jednom da biste postavili 80% snage rerne.
- 3) Pritisnite "Start/+ 30 Sek./Potvrdi" da potvrdite, na ekranu će se prikazati "P 80".
- 4) Okrenite dugme  i postavite vrijeme kuvanja na "20:00".
- 5) Pritisnite "Start/+ 30 Sek./Potvrdi" za početak kuvanja.


Opomena: koraci za postavljanje su sljedeći:

0—1 min	: 5 sekundi
1—5 min	: 10 sekundi
5—10min	: 30 sekundi
10—30 min	: 1 minut
30—95min	: 5 minuta



Mikro/Grill/Kombi, Red	Prikaz na ekranu	Moć mikrotalasnog grijanja	Moć grilla
1	P100	100%	
2	P80	80%	
3	P50	50%	
4	P30	30%	
5	P10	10%	
6	G	0%	100%
7	C-1	55%	45%
8	C-2	36%	64%

3. Grill ili kombinovano kuvanje

Pritisnite dugme "Mikro/Grill/Kombi.", na ekranu će se prikazati "P100". Zatim pritisnite "Mikro/Grill/Kombi." ili okrenite dugme , da biste izabrali snagu rerne. Svaki put kada ponovo pritisnete dugme "Mikro/Grill/Kombi." biće izabrana "G", "C-1" ili "C-2".


Zatim pritisnite dugme "Start/+ 30 Sek./Potvrdi" da potvrdite i pomoću dugmeta  postavite vrijeme kuvanja od 0:05 do 95:00. Ponovno pritisnite "Start/+ 30 Sek./Potvrdi" za početak kuvanja.

Primer: Ako želite da upotrebite 55% mikrotalasne snage i 45% snage grilla (C-1) kuvajte 10 minuta, preduzmite sljedeće korake:


- 1) Pritisnite dugme "Mikro/Grill/Kombi." jednom, na ekranu će se prikazati "P100".
- 2) Pritiskom na dugme "Mikro/Grill/Kombi." ili pomoću dugmeta  izaberite kombinovani režim 1.
- 3) Pritisnite "Start/+ 30 Sek./Potvrdi" da biste potvrdili, i na ekranu će se prikazati "C-1".
- 4) Pomću dugmeta  postavite vrijeme kuvanja na "10:00".
- 5) Pritisnite "Start/+ 30 Sek./Potvrdi" za početak kuvanja.

Opomena: Po isteku polovine vremena kuvanja oglašiće se dva zvučna signala, to je normalno. Da bi se u grill funkciji bolje pekla hrana, preporučljivo je da se okrene, zatvore vrata i pritisne dugme "Start/+ 30 Sek./Potvrdi" za nastavak kuvanja. Ako nema postavljenog delovanja, rerne će nastaviti sa radom.


4. Brzi start

- 1) U stanju pripravnosti pritisnite "Start/+ 30 Sek./Potvrdi" za početak kuvanja pri snazi 100 %, svaki dodatni pritisak na isto dugme dodaje 30 sekundi kuvanja do najviše 95 minuta.
- 2) U načinu kombinovanog djelovanja mikrotalasna/grill ili načinu odmrzavanja svaki ponovni pritisak na dugme "Start/+ 30 Sek./Potvrdi" produži rad za 30 sekundi.
- 3) U stanju pripravnosti, pomoću dugmeta  izaberite vrijeme kuvanja sa 100 % mikrotalasne snage i zatim pritisnite "Start/+ 30 Sek./Potvrdi" za početak kuvanja.


5. Odmrzavanje sa postavljanjem težine

- 1) Pritisnite dugme "Odmrzavanje/Težina/Sat" jednom, na ekranu će se prikazati natpis "dEF1".
- 2) Pomoću dugmeta  izaberite težinu hrane između 100 i 2000 g.
- 3) Pritisnite "Start/+ 30 Sek./Potvrdi" za početak odmrzavanja.

6. Odmrzavanje sa postavljanjem vremena

- 1) Pritisnite dugme "Odmrzavanje/Težina/Sat" dva puta, na ekranu će se prikazati natpis "dEF2".
- 2) Pomoću dugmeta  izaberite sat odmrzavanja, najviše do 95 minuta.
- 3) Pritisnite "Start/+ 30 Sek./Potvrdi" za početak odmrzavanja. Upotrebljena snaga za odmrzavanje je P30 i ne mijenja se.

7. Časovnik za kuvanje (Vrijeme kuvanja)

- (1) Pritisnite dugme "Časovnik kuvanja/Sat" jednom, na ekranu će se prikazati 00:00.
- (2) Pomoću dugmeta  izaberite željeni sat (najviše 95 minuta).
- (3) Pritisnite "Start/+ 30 Sek./Potvrdi" da potvrdite podešavanje.
- (4) Kada dođe do postavljenog sata, indikator časovnika se gasi. Pet puta uzastopno oglašava se zvučni signal. Ako je postavljen sat (24-časovni prikaz), na ekranu će se prikazati koliko je trenutno sati.

Opomena: Časovnik kuvanja nije povezan s 24-časovnim prikazom sata, već je vezan za tajmer.

8. Automatski meni





- 1) Okrenite dugme  nadesno i izaberite meni, prikazaće se opcije od A-1 do A-8.
- 2) Pritisnite "Start/+ 30 Sek./Potvrđi" da potvrdite izbor.
- 3) Pomoću dugmeta  izaberite određenu težinu, gledajući tabelu menija.
- 4) Pritisnite "Start/+ 30 Sek./Potvrđi" za postavljanje težine kao u tabeli.
Primer: Ako želite pomoću auto-menija da kuvate ribu, koja je teška 350 g.
 - 1) Pomoću dugmeta  postavite na A-6.
 - 2) Pritisnite "Start/+ 30 Sek./Potvrđi" za potvrdu izbora.
 - 3) Pomoću dugmeta  izaberite težinu 350 g.
 - 4) Pritisnite "Start/+ 30 Sek./Potvrđi" za početak kuvanja.




Tabela menija:

Meni	Težina	Na ekranu
A-1 Pica	200 g	200
	400 g	400
A-2 Meso	250 g	250
	350 g	350
	450 g	450
A-3 Zeleniš	200 g	200
	300 g	300
	400 g	400
A-4 Testenine	50g (sa 450 ml hladne vode)	50
	100g (sa 800 ml hladne vode)	100
A-5 Krompir	200 g	200
	400 g	400
	600 g	600
A-6 Riba	250 g	250
	350 g	350
	450 g	450
A-7 Pica	1 šoljica (120 ml)	1
	2 šoljice (240 ml)	2
	3 šoljice (360ml)	3
A-8 Kokice	50 g	50
	100 g	100

9. Višestepeno spremanje hrane

Možete postaviti najviše dva stepena spremanja hrane. Ako na jednom delu odaberete odmrzavanje, onda će odmrzavanje biti prva automatska opcija.

Primer: Ako prvo želite da odmrznete hranu 5 minuta, pa zatim 7 minuta kuvate hranu sa 80 % mikrotalasne snage, sledite navedene korake:

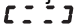
- 1) Pritisnite dva puta dugme "Odmrzavanje težina/sat", zatim će se na ekranu pojaviti natpis "dEF2".
- 2) Pomoću dugmeta  izaberite vreme odmrzavanja 5:00.
- 3) Pritisnite dugme "Mikro/Grill/Kombi." jedanput, na ekranu će se prikazati "P100".
- 4) Pritisnite dugme "Mikro/Grill/Kombi." jedanput ili pomoću dugmeta , izaberite 80% mikrotalasne snage.
- 5) Pritisnite "Start/+ 30 Sek./Potvrdi" da potvrdite, i na ekranu će se prikazati natpis P 80.
- 6) Pomoću dugmeta  izaberite vreme kuvanja 7:00.
- 7) Pritisnite "Start/+ 30 Sek./Potvrdi" za početak kuvanja, zatim se čuje zvučni signal i vreme odmrzavanja kreće da odbrojava unazad. Prelaskom na drugi stepen čuće se zvučni signal i vreme kuvanja počinje. Kada se kuvanje završi, čuće se pet uzastopnih zvučnih signala.

10. Funkcija ispitivanja

- (1) Pri radu kombinovanog mikrotalasnog kuvanja i grilla, pritisnite dugme "Mikro/Grill/Kombi." na ekranu će se za 3 sekunde prikazati trenutna snaga rada ili način rada grilla. Nakon te tri sekunde ekran se vraća na prethodni prikaz.
- (2) Pri obrtanju u načinu kuvanja pritisnite dugme "Vreme kuvanja/Sat", na ekranu će se za 3 sekunde prikazati vreme kuvanja.

11. Funkcija zaključavanja za zaštitu dece

Zaključavanje:

U stanju pripravnosti, pritisnite dugme "Stop/Izbriši" i držite 3 sekunde, začuće se dugi zvučni signal, koji označava da je rena zaključana. Na ekranu će se prikazati sat, ako je postavljen, ako nije, prikazaće se znak  Svi indikatori će zasvetleti.

Otključavanje:

U zaključanom stanju pritisnite dugme "Stop/Izbriši" i držite ga 3 sekunde, začuće se dugi zvučni signal, što znači da je rena otključana.

Rješavanje problema

Normalno	
Mikrotalasna ometa TV prijem	Tokom rada mikrotalasna rena može ometati radio i TV prijem. To je slično interferenciji malih kućnih aparata, kao što su mikser, usisivač i fen za kosu. To je normalno.
Tamno svjetlo u reni	Prilikom kuvanja niskom snagom mikrotalasa, svjetlo rene može postati tamno. To je normalno.
Na vratima se kondenzuje vlaga, iz otvora izlazi vruć vazduh	Tokom kuvanja iz hrane može izlaziti para. Većina će izaći kroz ventilacione otvore, ali dio se može kondenzovati na hladnijim mjestima poput vrata rene. To je normalno.
Rena je slučajno pokrenuta bez hrane u njoj	Zabranjeno je koristiti praznu remu. To je veoma opasno. Odmah je isključite.

Problem	Mogući uzrok	Rješenje
Rena se ne može pokrenuti	(1) Strujni kabl nije ispravno uključen	Isključite kabl, te ga nakon 10 sekundi ponovno uključite
	(2) Neispravan osigurač	Zamijenite osigurač
	(3) Problem sa utičnicom	Testirajte utičnicu drugim električnim uređajima
Rena ne greje	(4) Vrata nisu dobro zatvorena	Dobro zatvorite vrata
Stakleni tanjir pravi buku tokom rada mikrotalasne rene	(5) Prijavi obruč sa točkicama i dno rene	O čišćenju pogledajte u odeljku "Održavanje mikrotalasne rene"



Prema odredbi o odlaganju električne i elektronske opreme, takva oprema treba da se posebno sakuplja i obrađuje. Ukoliko u bilo kojem trenutku treba da bacite ovaj uređaj, molimo da ga NE bacate u đubre zajedno sa ostalim kućnim đubretom, već tamo gdje je za to unapred određeno mjesto.



IMWH-GD202IX

UPUTE ZA UPORABU MIKROVALNA PEĆNICA

Pažljivo pročitajte ove upute prije korišćenja Vaše pećnice i pozorno ih čuvajte.

Ako budete slijedili ove upute, Vaša pećnica će vas služiti mnogo godina.

POZORNO ČUVAJTE OVE UPUTE

PREDOSTROŽNOSTI ZA IZBJEGAVANJE MOGUĆEG PREKOMJERNOG IZLAGANJA MIKROVALNOJ ENERGIJI

- (a) Ne pokušavajte koristiti ovu pećnicu sa otvorenim vratima jer to može rezultirati štetnim izlaganjem mikrovalnoj energiji. Važno je ne lomiti ili ne rotirati bezbjednosne spojeve.
- (b) Ne postavljajte nikakve predmete između prednje strane pećnice i vrata, ne dopuštajte nakupljanje prljavštine ili sredstava za čišćenje na površinama za dihtovanje.
- (c) UPOZORENJE: Ukoliko su vrata ili vratni dihtunzi oštećeni, pećnica ne smije da se koristi dok ih ne zamijeni stručna osoba.

DODATAK

Ukoliko se uređaj ne održava čistim, to može da utiče na njegovu površinu i radni vijek, te da dovede do opasnih situacija.

Specifikacije

Model:	IMWH-GD202IX
Radni napon:	230V~ 50Hz
Nazivna ulazna snaga (mikrotalasi):	1250 W
Nazivna izlazna snaga (mikrotalasi):	800 W
Nazivna ulazna snaga (grill):	1000 W
Kapacitet pećnice:	20 L
Prečnik okretnog tanjura:	Ø 245 mm
Spolne dimenzije:	595x343.5x388mm
Neto težina:	Približno 15 kg

VAŽNE SIGURNOSNE UPUTE

UPOZORENJE

Za smanjenje rizika od požara, strujnog udara, fizičkih povreda ili prekomjernog izlaganja mikrotalasnoj energiji prilikom uporabe Vašeg uređaja, molimo da se pridržavate osnovnih mjera predostrožnosti, uključujući i sljedeće:

1. **Upozorenje:** Tekućine i drugu hranu ne zagrijavati u zatvorenim posudama jer su podložne eksplozijama
2. **Upozorenje:** Uklanjanje poklopca koji štiti od izlaganja mikrotalasnoj energiji je opasno po bilo koga osim stručne osobe.
3. Ovaj uređaj mogu koristiti djeca uzrasta iznad 8 godina starosti, kao i osobe sa smanjenim fizičkim, čulnim ili mentalnim sposobnostima ili nedostatkom iskustva i znanja, ako su pod nadzorom ili poseduju instrukcije za uporabu aparata na bezbjedan način uz razumijevanje opasnosti rukovanja. Djeca ne treba da se igraju sa aparatom. Čišćenje i održavanje ne bi trebalo da obavljaju djeca koja nisu starija od 8 godina i pod nadzorom.
4. Držite aparat i njegov kabel van domašaja djece mlađe od 8 godina.
5. Koristite samo posuđe prikladno za uporabu u mikrotalasnim pećnicama.
6. Pećnica bi se trebalo redovno čistiti i treba da se uklanjaju talozi hrane.
7. Pročitajte i pridržavajte se "**PREDOSTROŽNOSTI ZA IZBJEGAVANJE MOGUĆEG PREKOMJERNOG IZLAGANJA MIKROTALASNOJ ENERGIJI**".
8. Prilikom grijanja hrane u plastičnim ili papirnim posudama pazite na pećnicu zbog opasnosti od vatre.
9. U slučaju pojave plamena, ugascite pećnicu ili je isključite iz struje, te držite zatvorena vrata pećnice kako bi se vatra ugasila.
10. Nemojte prekuhati hranu.
11. Nemojte koristiti unutarjnost pećnice za skladištenje. Ne držite predmete poput hljeba, kolača, itd. unutar pećnice.

12. Uklonite žičane spajalice i metalne drške sa papirnih ili plastičnih posuda/kesica prije njihovog stavljanja u pećnicu.
13. Instalirajte ili postavite ovu pećnicu isključivu u skladu sa priloženim uputama za instalaciju.
14. Jaja u ljusci i tvrdo kuhana jaja ne bi trebalo grijati u mikrotalasnoj pećnici, jer mogu da eksplodiraju, čak i nakon završetka grijanja u pećnici.
15. Ovaj aparat je namijenjen uporabi u kućastvu i sličnim objektima kao što su:
 - kuhinja za osoblje, kancelarije i slična radna okruženja;
 - u hotelima, motelima i sličnim rezidencijalnim okruženjima;
 - seoskim kućama;
 - prenoćištima.
16. Ukoliko se strujni kabel ošteti, treba ga zamijeniti proizvođač, ovlašteni serviser ili slične kvalificirane osobe kako bi se izbjegle moguće opasnosti.
17. Ne držite i ne koristite ovaj uređaj na otvorenom.
18. Ne koristite ovu pećnicu u blizini vode, mokrom podrumu ili u blizini bazena.
19. Tjekom rada temperatura dostupnih područja može biti visoka. Držite kabel napajanja podalje od toplih površina, te ne pokrivajte otvore na pećnici.
20. Ne dopuštajte da strujni kabel visi preko ruba stola ili radne površine.
21. Neodržavanje pećnice čistom može dovesti do propadanja njenih površina, što može skratiti vijek trajanja uređaja i rezultirati opasnim situacijama.
22. Kako bi se izbjegle opekotine, sadržaje dječijih flašica i tegli sa dječjom hranom treba prije hranjenja promiješati ili protresti, te im provjeriti temperaturu.
23. Grijanje napitaka u mikrotalasnoj pećnici može rezultirati zakasnelim eruptivnim ključanjem, te se zato mora paziti prilikom rukovanja sa posudom u kojoj se nalazi napitak.
24. Uređaj nije namijenjen za uporabu od strane osoba (uključujući i

djecu) sa smanjenim fizičkim, čulnim ili mentalnim sposobnostima ili nedostatkom iskustva i znanja, osim ukoliko nisu pod nadzorom ili su upućene u rad uređaja od strane osobe odgovorne za njihovu bezbjednost.

25. Djecu bi trebalo nadzirati kako bi se osiguralo da se ne igraju sa uređajem.

26. Mikrotalasna pećnica ne smije se ugrađivati u kuhinjske elemente, osim ukoliko nije bila testirana za ugradnju u elemente.

27. Uređaj nije namijenjen za upravljanje putem eksternih tajmera ili drugih sistema za daljinsko upravljanje.

28. Zadnju površinu uređaja treba postaviti ispred zida.

29. Dijelovi aparata mogu se zagrijati za vrijeme korištenja, zato djecu treba držati dalje od aparata kako se ne bi opržili.

30. Ne smije se čistiti paročistačima.

31. Tijekom uporabe aparat se zagrijeva. Treba voditi računa da se izbjegne dodirivanje grijnih elemenata pećnice.

32. Koristite samo sondu temperature koja se preporuča za ovu pećnicu (za pećnice snabdevene instalacijom za korišćenje sonde za provjeru temperature).

33. **UPOZORENJE:** Aparat i njegovi dostupni dijelovi zagrijevaju se prilikom uporabe. Trebalo bi pažljivo izbjeći dodirivanje grijnih elemenata. Djecu mlađu od 8 godina starosti treba držati dalje od aparata ako su bez nadzora.

34. Prilikom rada, dekorativna vrata moraju ostati otvorena (za pećnice sa dekorativnim vratima).

PROČITAJTE PAŽLJIVO I ČUVAJTE ZA BUDUĆU UPORABU

Za smanjenje rizika od fizičkih povreda

Uzemljenje

OPASNOST

Opasnost od strujnog udara.

Dodirivanje nekih internih komponenti može izazvati ozbiljne povrede ili smrt.

Ne rastavljajte ovaj uređaj.

UPOZORENJE

Opasnost od strujnog udara.

Neispravno uzemljenje može rezultirati strujnim udarom. Ne uključujte uređaj u utičnicu za struju dok ga ispravno ne instalirate i uzemljite.

Ovaj uređaj mora biti uzemljen. U slučaju strujnog kratkog spoja uzemljenje smanjuje opasnost od strujnog udara putem odvodne žice za električnu struju.

Ovaj uređaj je opremljen uzemljenim strujnim kabelom i utikačem sa kontaktom za uzemljenje. Utikač treba uključiti u ispravno instaliranu i uzemljenu strujnu utičnicu. Konsultujte se sa kvalificiranim električarom ili serviserom ukoliko u potpunosti ne razumijete upute za uzemljenje ili ukoliko niste sigurni je li uređaj ispravno uzemljen.

Ukoliko morate da koristite produžni kabel, koristite isključivo produžni kabel sa tri žice.

1. Strujni kabel je kratak kako bi se smanjili rizici od zapetljanja ili spoticanja o duži strujni kabel.
2. Ukoliko se koristi dugi strujni kabel ili produžni kabel:
3. Nominalna snaga strujnog kabela ili produžnog kabela mora biti jednaka ili veća od nominalne snage uređaja.
4. Produžni kabel mora da bude uzemljenog tipa.
5. Dugi strujni kabel treba da se provede tako da ne visi preko ruba radne površine ili stola gdje mogu da ga povuku djeca ili gdje preko njega može slučajno da se spotakne.

ČIŠĆENJE

Obavezno isključite pećnicu iz strujne utičnice.

1. Nakon uporabe unutarnjost pećnice očistite lagano vlažnom krpom.
2. Dodatke očistite na uobičajeni način u vodi sa sapunom..
3. Kada su prljavi, okvir vrata, zaptivka i susedni dijelovi treba da se pažljivo očiste vlažnom krpom.
4. Ne koristite jaka abrazivna sredstva za čišćenje ili oštre metalne strugače za čišćenje stakla vrata pećnice, jer mogu da ogrebu površinu, što može rezultirati razbijanjem stakla.
5. **SAVJET ZA ČIŠĆENJE** - za lakše pranje unutarnjosti pećnice od masnoće hrane, stavite pola limuna u zdjelu, dodajte 300ml vode. Obrišite pećnicu mekom, suhom krpom.

OPREZ

Opasnost od povreda

Servisiranje ili popravljanje koje uključuje uklanjanje poklopca za zaštitu od izlaganja mikrotalasnoj energiji, opasno je za svakog osim za stručno lice.

POSUĐE

Pogledajte uputstva o “Materijalima koji se mogu koristiti u mikrotalasnoj pećnici ili koje bi trebalo izbjegavati”. Postoji određeno nemetalno posuđe koje nije bezbjedno za uporabu u mikrotalasnoj pećnici. Ukoliko postoji sumnja, datu posudu možete da testirate na dole opisani način.

Test posuđa:

1. Napunite posudu u mikrotalasnoj pećnici 1 šoljicom hladne vode (250ml).
2. Kuhajte na maksimalnoj snazi 1 minut.
3. Pažljivo opipajte posudu. Ukoliko je prazna posuda topla, ne koristite je za kuhanje u mikrotalasnoj rerni.
4. Nemojte prekoračiti 1 minut prilikom kuhanja.

Materijali sigurni za uporabu u mikrotalasnoj pećnici

Materijal Napomene

Alu folija	Samo prekrivanje. Mogu se koristiti mali glatki komadi za prekrivanje tankih komada mesa ili pile tine kako bi se spriječilo prekuhavanje. Ako je folija previše blizu zidovima pećnice može da dođe do varničenja. Folija bi trebala da bude najmanje 2.5cm udaljena od zidova pećnice.
Posuda za zapeći jelo	Pridržavajte se uputa proizvođača. Dno posude mora da bude minimalno 5mm iznad tanjura koji se okreće. Neispravna uporaba može da izazove pucanje tanjura.
Servis za jelo	Isključivo oni koji su pogodni za uporabu u mikrotalasnim pećnicama. Pridržavajte se uputa proizvođača. Ne koristite napuklo ili oštećeno posude
Tegle	Uvijek uklonite poklopac. Koristite za grijanje dok hrana ne bude pretopla. Većina tegli nije otporna na toplinu i može da pukne.
Stakleno posude	Koristite isključivo vatrostalno stakleno posude. Na sudovima ne smije da bude metalnih rubova. Ne koristite napuklo ili oštećeno posude.
Kese za kuhanje	Pridržavajte se uputa proizvođača. Ne zatvarajte metalnom vezicom. Napravite otvore za izlaz pare.
Papirnati tanjuri i šoljice	Koristite isključivo za kratkotrajno kuhanje / grijanje. Ne ostavljajte bez nadzora tijekom kuhanja.
Papirnati ubrusi	Koristite za prekrivanje hrane za podgrijavanje i upijanje masnoće. Koristite pod nadzorom isključivo za kratkotrajno kuhanje.
Papir za kolače	Koristite kao poklopac kako biste spriječili prskanje ili kao omotač za parenje.
Plastika	Isključivo pogodna za uporabu u mikrotalasnim pećnicama. Pridržavajte se uputa proizvođača. Trebalo bi da bude označena sa "Microwave Safe". Neke plastične posude omekšavaju kako se hrana unutar njih zagrijeva.

Materijali nepogodni za uporabu u mikrotalasnoj pećnici

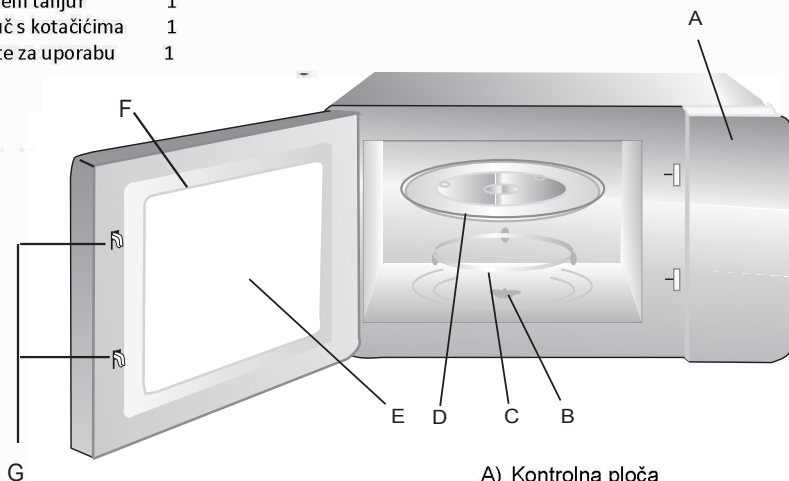
Kese za kuhanje	Trebalo bi da se zarežu, izbuše ili otvore, kako je naznačeno na ambalaži.
Plastična folija	Isključivo pogodna za uporabu u mikrotalasnim pećnicama. Koristite za prekrivanje hrane tijekom kuhanja radi zadržavanja vlage. Plastična folija ne bi smjela da dodiruje hranu
Termometri	Isključivo pogodni za uporabu u mikrotalasnim pećnicama (za meso i kolače)
Masni papir	Koristite kao poklopac za sprječavanje prskanja i zadržavanje vlage.
Posude za hranu sa metalnim drškama	Može da izazove varničenje. Preselite hranu u posudu pogodnu za mikrotalasne pećnice.
Metalne ili metalom obrubljene posude	Metali štiti hranu od mikrotalasne energije. Metalni rubovi mogu da izazovu varničenje.
Metalne vezice	Mogu da izazovu varničenje i vatru unutar pećnice.
Papirnate kese	Mogu da izazovu vatru u pećnici.
Plastična pjena	Plastična pjena može da se otopi ili kontaminira unutarnjost pećnice kada je izložena visokoj temperaturi.
Drvo	Drvo će prilikom uporabe u u mikrotalasnoj pećnici da se isuši, a može i da se rascepa ili pukne.

POSTAVLJANJE VAŠE PEĆNICE

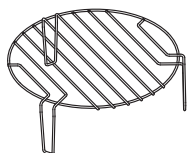
Nazivi dijelova pećnice i dodataka

Uklonite pećnicu i sve dodatke iz ambalaže i unutrašnjosti pećnice. Uz Vašu pećnicu su priloženi sljedeći dodaci:

Stakleni tanjur	1
Obruč s kotačićima	1
Upute za uporabu	1



G



Rešetka za grilovanje (Koristi se samo za funkciju grilovanja i postavlja se na stakleni tanjur)

- A) Kontrolna ploča
- B) Osovina za okretanje
- C) Obruč sa kotačićima
- D) Stakleni tanjur
- E) Prozor za posmatranje
- F) Vrata
- G) Sistem za sigurno zatvaranje

Instalacija rotirajuće ploče

Srednja (donja) strana

Stakleni tanjur

Osovina

Obruč sa kotačićima



- a. Nikada ne postavljajte stakleni tanjur naopako. Ništa ne smije da blokira stakleni tanjur.
- b. Za vrijeme kuvanja i stakleni tanjur i obruč sa kotačićima uvijek moraju da se koriste.
- c. Prilikom kuhanja, svu hranu i posude uvijek treba staviti na stakleni tanjur.
- d. Ukoliko se stakleni tanjur ili obruč sa kotačićima slome ili naprsnu, kontaktirajte najbliži servisni centar.

Postavljanje i priključivanje uređaja

1. Uređaj je namijenjen isključivo za uporabu u kućanstvu.
2. Pećnica je namijenjena isključivo za ugradnju, nikako za uporabu na radnoj površini ili unutar kuhinjskog ormarića.
3. Molimo da se pridržavate posebnih instrukcija za postavljanje.
4. Pećnica se može namjestiti unutar 60 cm širokog visećeg ormarića.
5. Uređaj ima utikač, koji se može priključiti samo na pravilno uzemljenu električnu utičnicu.
6. Električno napajanje mora odgovarati naponu navedenom na natpisnoj tablici uređaja.
7. Namještanje utikača ili zamjena strujnog kabela može se povjeriti samo kvalificiranoj osobi. Ukoliko je utičnica po namještanju nedostupna, mora se postaviti višepolna utičnica sa najmanje 3 mm prostora među kontaktima.
8. Ne smijete koristiti adaptere ili produžne kabele, jer ukoliko dođe do preopterećenja, to lako prouzrokuje požar.

Pristupne površine uređaja mogu biti vruće tijekom rada uređaja.



Upute za postavljanje

Molimo da prije postavljanja pažljivo pročitate upute

Napomena

Električni priključak

Uređaj ima utikač, koji se smije priključiti samo na pravilno uzemljenu utičnicu.

Električno napajanje mora odgovarati naponu navedenom na natpisnoj tablici uređaja.

Nameštavanje utikača ili zamjena strujnog kabla može se povjeriti samo kvalificiranoj osobi.

Ukoliko je utičnica po namještanju nedostupna, mora se postaviti višepolna utičnica sa najmanje 3 mm prostora među kontaktima.

Polica u kojoj namjeravate ugraditi uređaj, ne smije imati zid na zadnjoj strani.

Između zida i osnove uređaja mora biti određena razdaljina, koja je navedena na slikama ispod.

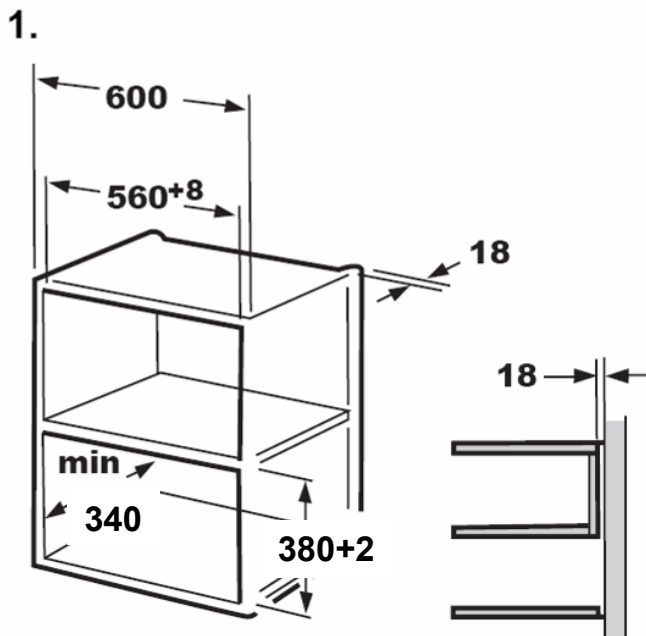
Minimalna visina za postavljanje: 85 cm.

Ne pokrivajte otvore za ventilaciju.

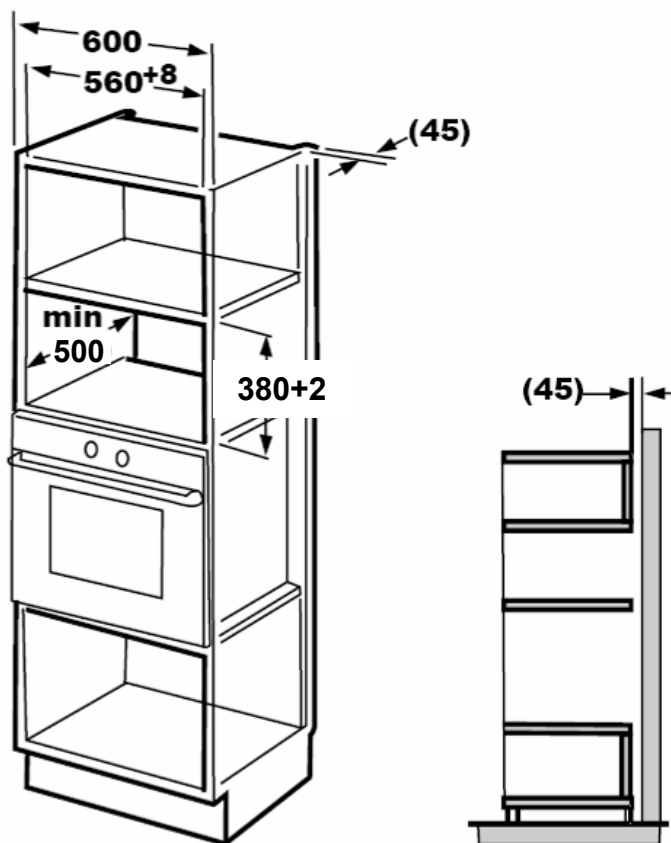
Napomena:

Nemojte savijati strujni kabel.

A. Korpus za ugradnju



2.

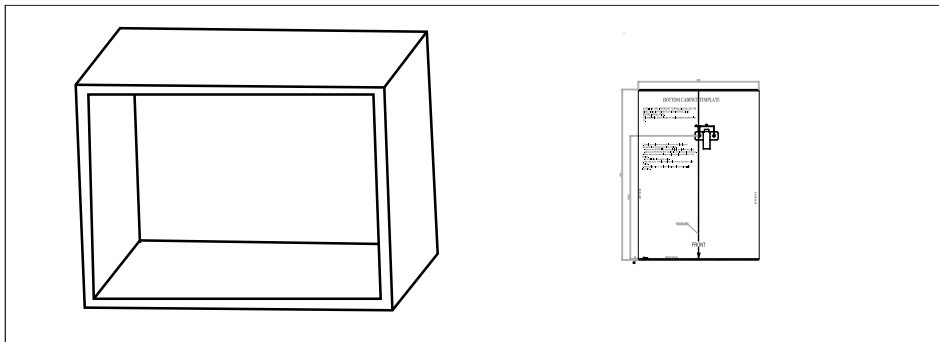


Napomena:

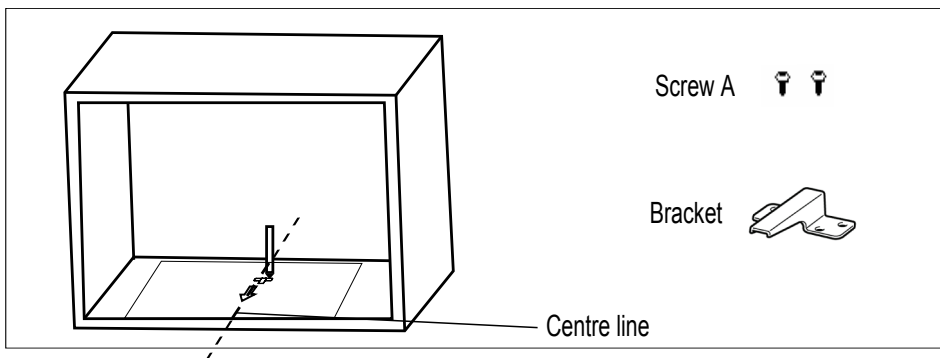
Kod obje vrste postavljanja potrebno je upotrebiti nosač i uzorak za dno police.

B. Priprema police

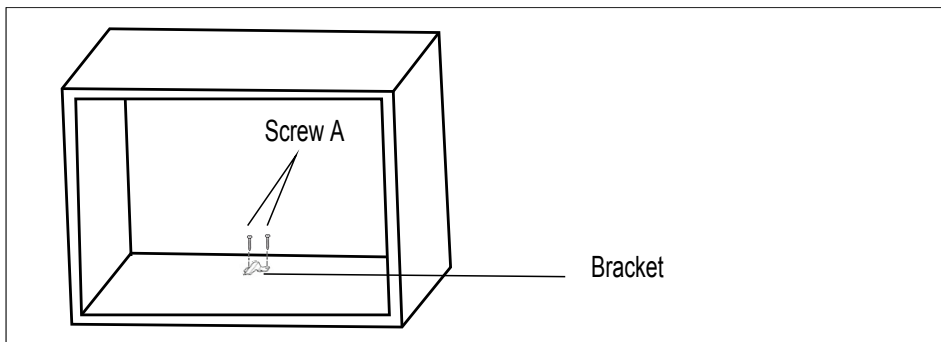
1. Pročitajte upute za UZORAK ZA DNO POLICE , postavite uzorak na dno police.



2. Napravite oznake na dnu police, kao što je označeno na uzorku slovom A



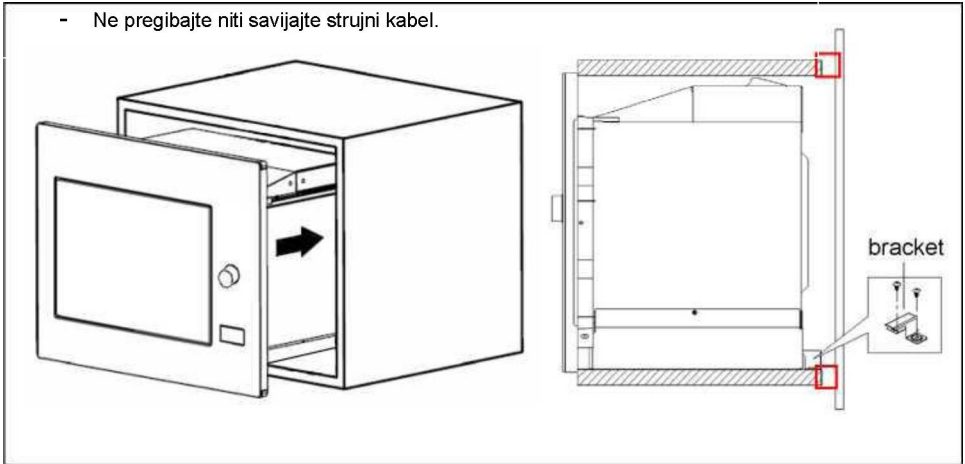
3. Odstranite uzorak i pričvrstite nosač šrafov A



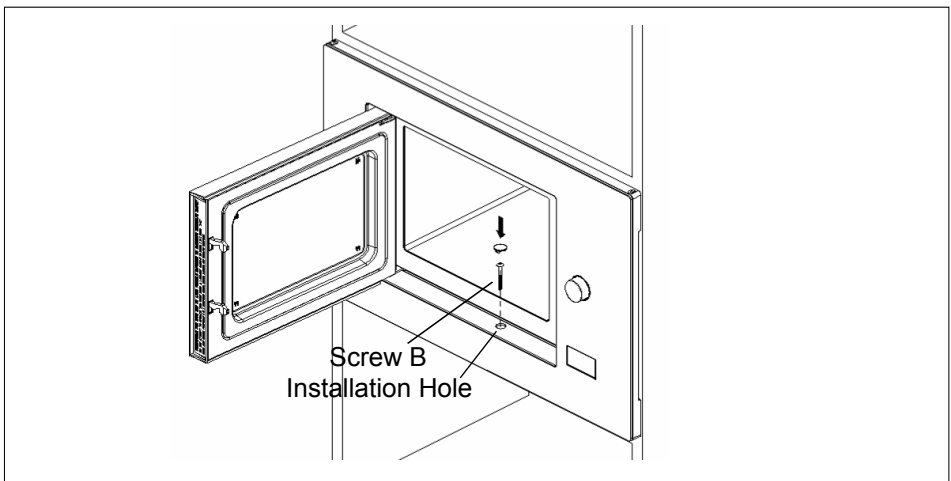
C . Postavljanje pećnice

4. Postavljanje pećnice u policu

- Uvjerite se da je zadnja strana pećnice nalegla na nosač.
- Ne pregibajte niti savijajte strujni kabel.

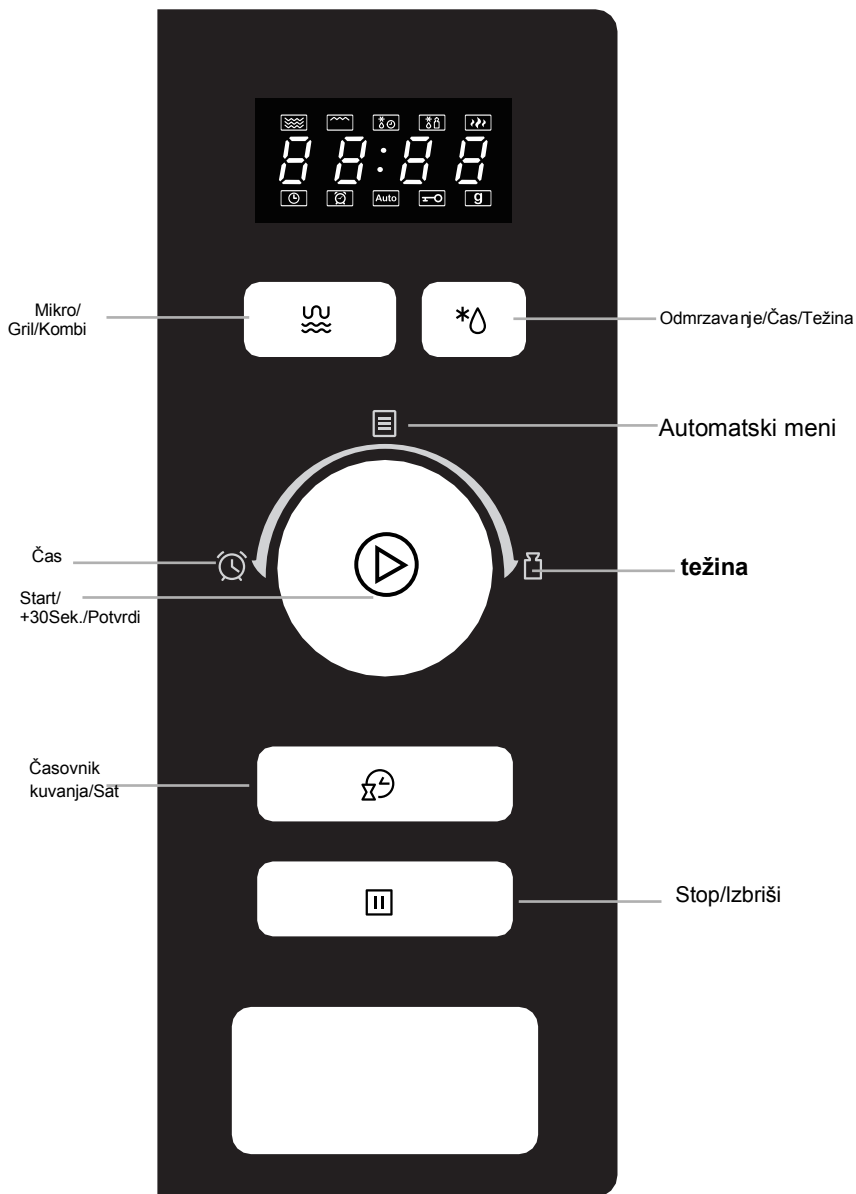


5. Otvorite vrata, pričvrstite pećnicu na policu uz pomoć šrafa B u označeni otvor. Zatim namjestite plastični poklopac na označeno mjesto.



Uporaba



Kontrolna ploča i funkcije



Upute za uporabu

1. Postavljanje časovnika



Kada priključite pećnicu na ekranu će se prikazati »0:00« i čuće se zvučni signal.

- 1) Pritisnite dvaput gumb "Časovnik kuvanja/Čas" da biste izabrali funkciju časovnika, cifre za sate na ekranu će svijetliti.
- 2) Obrnite gumb  da biste postavili sate, izaberite vrijednosti 0—23.
- 3) Pritisnite gumb "Časovnik kuhanja/Sat, cifre za minute će početi svijetliti.
- 4) Obrnite gumb  da biste postavili minute, izaberite vrijednosti 0-59.
- 5) Pritisnite gumb "Časovnik kuhanja/Sat" da biste potvrdili postavke. Simbol će zasvijetliti, i izabrani sat će biti prikazan.


Opomena: 1) Ako ne postavite sat, uređaj neće početi s grijanjem.

- 2) Ako prilikom postavljanja sata pritisnete »Stop/Izbriši«, rena se vraća na prethodno stanje.

2. Mikrotalasno pečenje

Pritisnite gumb "Mikro/Grill/Kombi." na ekranu će se prikazati "P100". Pritisnite gumb "Mikro/Grill/Kombi" nekoliko puta ili okrenite gumb  " da biste izabrali snagu koju želite i prikazaće se vrijednosti "P100", "P80", "P50", "P30" ili "P10" svaki put kada pritisnete gumb. Zatim pritisnite gumb "Start/+ 30 Sek./Potvrdi" da potvrdite, i okrenite gumb  da postavite vrijeme kuhanja od 0:05 do 95:00. Ponovno pritisnite " Start/+ 30 Sek./Potvrdi" za početak kuhanja.

Primer: Ako želite upotrebiti 80 % snage mikrotalasne pećnice i kuhati 20 minuta, slijedite sljedeće korake:


- 1) Pritisnite gumb "Mikro/Grill/Kombi." jednom, na ekranu će se prikazati "P100".
- 2) Pritisnite gumb "Mikro/Grill/Kombi." jednom da biste postavili 80% snage pećnice.
- 3) Pritisnite "Start/+ 30 Sek./Potvrdi" da potvrdite, na ekranu će se prikazati "P 80".
- 4) Okrenite gumb  i postavite vrijeme kuhanja na "20:00".
- 5) Pritisnite " Start/+ 30 Sek./Potvrdi" za početak kuhanja.


Opomena: koraci za postavljanje su sljedeći:

0-1 min	: 5 sekundi
1—5 min	: 10 sekundi
5—10 min	: 30 sekundi
10—30 min	: 1 minut
30—95 min	: 5 minuta



Mikro/Grill/Kombi, Red	Prikaz na ekranu	Moć mikrotalasnog grijanja	Moć grilla
1	P 100	100%	
2	P 80	80%	
3	P 50	50%	
4	P 30	30%	
5	P 10	10%	
6	G	0%	100%
7	C-1	55%	45%
8	C-2	36%	64%

3. Grill ili kombinovano kuhanje

Pritisnite gumb "Mikro/Grill/Kombi.", na ekranu se prikaže "P100". Zatim pritisnite "Mikro/Grill/Kombi." ili okrenite gumb , da bi izabrali snagu pećnice. Svaki put kada ponovo pritisnete gumb "Mikro/Grill/Kombi." biće izabrana "G", "C-1" ili "C-2".


Zatim pritisnite gumb "Start/+ 30 Sek./Potvrđi" da potvrdite i s gumbom  postavite vrijeme kuhanja od 0:05 do 95:00. Ponovno pritisnite "Start/+ 30 Sek./Potvrđi" za početak kuhanja.

Primer: Ako želite da upotrebite 55% mikrotalasne snage i 45% snage grilla (C-1) kuhajte 10 minuta, slijedeći korake:


- 1) Pritisnite gumb " Mikro/Grill/Kombi. " jednom, na ekranu će se prikazati "P100".
- 2) Pritiskanjem na gumb " Mikro/Grill/Kombi. " ili s gumbom  izaberite kombinovani režim
- 3) Pritisnite "Start/+ 30 Sek./Potvrđi" da biste potvrdili, i na ekranu će se prikazati "C-1".
- 4) S gumbom  postavite vrijeme kuhanja na "10:00".
- 5) Pritisnite " Start/+ 30 Sek./Potvrđi " za početak kuhanja.

Opomena: Po isteku polovice vremena kuhanja oglašiće se dva zvučna signala, to je normalno. Da bi se u grill funkciji bolje pekla hrana, preporučljivo je da se okrene, zatvore vrata i pritisne gumb "Start/+ 30 Sek./Potvrđi" za nastavak kuhanja. Ako nema postavljenog delovanja, pećnice će nastaviti s radom.


4. Brzi start

- 1) U stanju pripravnosti, pritisnite "Start/+ 30 Sek./Potvrđi" za početak kuhanja pri snazi 100%, svaki dodatni pritisak na isto gumb dodaje 30 sekundi kuhanja do najviše 95 minuta.
- 2) U načinu kombinovanog djelovanja mikrotalasna/grill ili načinu odmrzavanja svaki ponovni pritisak na gumb "Start/+ 30 Sek./Potvrđi" produži rad za 30 sekundi.
- 3) U stanju pripravnosti, gumbom  izaberite vrijeme kuhanja sa 100 % mikrotalasne snage i zatim pritisnite "Start/+ 30 Sek./Potvrđi" za početak kuhanja.


5. Odmrzavanje sa postavljanjem težine

- 1) Pritisnite gumb "Odmrzavanje/Težina/Sat" jednom, na ekranu će se prikazati natpis "dEF1".
- 2) Pomoću gumba  izaberite težinu hrane između 100 i 2000 g.
- 3) Pritisnite "Start/+ 30 Sek./Potvrđi" za početak odmrzavanja.

6. Odmrzavanje sa postavljanjem vremena

- 1) Pritisnite gumb "Odmrzavanje/Težina/Sat" dva puta, na ekranu će se prikazati natpis "dEF2".
- 2) Pomoću gumba  izaberite sat odmrzavanja, najviše do 95 minuta.
- 3) Pritisnite gumb "Start/+ 30 Sek./Potvrđi" za početak odmrzavanja. Upotrebljena snaga za odmrzavanje je P30 i ne mijenja se.

7. Časovnik za kuhanje (Vrijeme kuhanja)

- (1) Pritisnite gumb "Časovnik kuhanja/Sat" jednom, na ekranu će se prikazati 00:00.
 - (2) Pomoću gumba  izaberite željeni sat (najviše 95 minuta).
 - (3) Pritisnite "Start/+ 30 Sek./Potvrđi" da potvrdite podešavanje.
 - (4) Kada dođe do postavljenog sata, indikator časovnika se ugasi. Oglašava se pet puta redom zvučni signal. Ako je postavljen sat (24-časovni prikaz) na ekranu će se prikazati koliko je trenutno sati.
- Opomena: Časovnik kuhanja nije povezan s 24-časovnim prikazom sata, već je vezano za tajmer.

8. Automatski meni





- 1) Okrenite gumb  nadesno i izaberite meni, prikazaće se opcije od A-1 do A-8.
- 2) Pritisnite "Start/+ 30 Sek./Potvrđi" da potvrdite izbor.
- 3) S gumbom  izaberite određenu težinu, gledajući tabelu menija.
- 4) Pritisnite gumb "Start/+ 30 Sek./Potvrditev" za postavljanje težine kao u tabeli.
Primer: Ako želite pomoću auto menija da kuhate ribu, koja je teška 350 g.
 - 1) S gumbom  postavite na A-6.
 - 2) Pritisnite "Start/+ 30 Sek./Potvrđi" za potvrdu izbora.
 - 3) S gumbom  izaberite težinu 350 g.
 - 4) Pritisnite "Start/+ 30 Sek./Potvrđi" za početak kuhanja.




Tabela menija:

Meni	Težina	Na ekranu
A-1	200 g	200
Pica	400 g	400
	250 g	250
A-2	350 g	350
Meso	450 g	450
A-3	200 g	200
Zeleniš	300 g	300
	400 g	400
A-4	50g(sa 450 ml hladne vode)	50
Testenine	100g(sa 800 ml hladne vode)	100
A-5	200 g	200
Krompir	400 g	400
	600 g	600
A-6	250 g	250
Riba	350 g	350
	450 g	450
A-7	1šoljica (120 ml)	1
Pića	2 šoljice (240 ml)	2
	3 šoljice (360ml)	3
A-8	50 g	50
Kokice	100 g	100

9. Višestepeno spremanje hrane

Možete postaviti najviše dva stupnja spremanja hrane. Ako na jednom delu odaberete odmrzavanje, onda će odmrzavanje biti prva automatska opcija.

Primer: Ako prvo želite odmrznuti hranu 5 minuta, pa zatim 7 minuta kuhati hranu sa 80 % mikrotalasne snage, slijedite navedene korake:


- 1) Pritisnite dva puta gumb "Odmrzavanje težina/sat", zatim se na ekranu pojavi natpis "dEF2".
- 2) Pomoću gumba  izaberite vreme odmrzavanja 5:00.
- 3) Pritisnite gumb "Mikro/Grill/Kombi." jedanput, na ekranu se prikaže "P100".
- 4) Pritisnite gumb "Mikro/Grill/Kombi." jedanput ili gumbom  izaberite 80 % mikrotalasne snage.
- 5) Pritisnite "Start/+ 30 Sek./Potvrdi" da potvrdite, i na ekranu se prikaže natpis P 80.
- 6) Pomoću gumba  izaberite vrijeme kuhanja 7:00.
- 7) Pritisnite "Start/+ 30 Sek./Potvrdi" za početak kuhanja, zatim se čuje zvučni signal i vrijeme odmrzavanja kreće da odbrojava unazad. Prelaskom na drugi stupanj čut će se zvučni signal i vrijeme kuhanja počinje. Kada se kuhanje završi, čut će se pet uzastopnih zvučnih signala.

10. Funkcija ispitivanja

- (1) Pri radu kombinovanog mikrotalasnog kuhanja i grilla, pritisnite gumb "Mikro/Grill/Kombi." na ekranu se prikaže za 3 sekunde trenutna snaga rada ili način rada grilla. Nakon te tri sekunde ekran se vraća na prethodni prikaz.
- (2) Pri obrtanju u načinu kuhanja pritisnite gumb "Vrijeme kuhanja/Sat", na ekranu će se za 3 sekunde prikazati vrijeme kuhanja.

11. Funkcija zaključavanja za zaštitu djece

Zaključavanje:

U stanju pripravnosti, pritisnite gumb "Stop/Izbriši" i držite 3 sekunde, začuće se dugi zvučni signal, koji označava da je pećnica zaključana. Na ekranu će se prikazati sat, ako je postavljen, ako nije, prikazaće se znak  , Svi indikatori će zasvjjetleti.

Otključavanje:

U zaključanom stanju pritisnite gumb "Stop/Izbriši" i držite ga 3 sekunde, začuće se dugi zvučni signal, što znači da je pećnica otključana.

Rješavanje problema

Normalno	
Mikrotalasna ometa TV prijem	Tokom rada mikrotalasna pećnica može ometati radio i TV prijem. To je slično interferenciji malih kućnih aparata, kao što su mikser, usisivač i fen za kosu. To je normalno.
Tamno svjetlo u pećnici	Prilikom kuhanja niskom snagom mikrotalasa, svjetlo pećnice može postati tamno. To je normalno.
Na vratima se kondenzuje vlaga, iz otvora izlazi vruć vazduh	Tijekom kuhanja iz hrane može izlaziti para. Većina će izaći kroz ventilacione otvore, ali dio se može kondenzovati na hladnijim mjestima poput vrata pećnice. To je normalno.
Pećnica je slučajno pokrenuta bez hrane u njoj	Zabranjeno je koristiti praznu pećnicu. To je veoma opasno. Odmah je isključite.

Problem	Mogući uzrok	Rješenje
Pećnica se ne može pokrenuti	(1) Strujni kabel nije ispravno uključen	Isključite kabel, te ga nakon 10 sekundi ponovno uključite
	(2) Neispravan osigurač	Zamijenite osigurač
	(3) Problem sa utičnicom	Testirajte utičnicu drugim električnim uređajima
Pećnica ne grije	(4) Vrata nisu dobro zatvorena	Dobro zatvorite vrata
Stakleni tanjir pravi buku tokom rada mikrotalasne pećnice	(5) Prijavi obroč sa kotačićima i dno pećnice	O čišćenju pogledajte u odeljku "Održavanje mikrotalasne pećnice"



Prema odredbi o odlaganju električne i elektronske opreme, takva oprema treba da se posebno sakuplja i obrađuje. Ukoliko u bilo kojem trenutku treba da bacite ovaj uređaj, molimo da ga NE bacate u smeće zajedno sa ostalim kućanskim otpadom, već tamo gdje je za to unapred određeno mjesto.



IMWH-GD2021X

MANUAL DE USUARIO MICROONDAS

Lea atentamente este manual antes de uso del horno.
Si sigue estas instrucciones, su horno le servirá bien durante muchos años.

GUARDE CUIDADOSAMENTE ESTAS INSTRUCCIONES

PRECAUCIONES PARA EVITAR LA POSIBLE EXPOSICIÓN A LA ENERGÍA DE MICROONDAS

- A) Esto puede provocar una exposición peligrosa a la energía de microondas. Es importante que no se rompen o que no se roten los compuestos de seguridad.
- B) No coloque ningún objeto entre la parte delantera del horno y entre la su puerta y no permita la acumulación de suciedad o de productos de limpieza en las superficies para el estanqueidad.
- C) **ADVERTENCIA:** Si los sellos de las puertas o la puerta están dañadas, el horno no debe ser utilizado hasta que hayan sido sustituidos por un técnico cualificado.

ANEXO

Si el producto no se mantiene limpio, se podría afectar a su superficie y al tiempo de su duración, como también dar lugar a situaciones peligrosas.

Modelo:	IMWH-GD202IX
Tensión de funcionamiento:	230V~50Hz
Entrada de potencia nominal (microondas):	1250W
Salida de potencia nominal (microondas)	800W
Entrada de potencia nominal (grill):	1000W
Capacidad del horno:	20L
Diámetro del plato	Ø245mm
Dimensiones externas:	595x343.5x388mm
Peso neto:	Approx. 15 kg

IMPORTANTES ADVERTENCIAS Y INFORMACIONES SOBRE LA SEGURIDAD

Para reducir el riesgo de incendio, choque eléctrico, lesiones físicas o la exposición excesiva a la energía de microondas durante su uso, por favor lea atentamente las precauciones de seguridad básicas, incluyendo las siguientes:

1. **Advertencia:** Los líquidos u otros alimentos no calentar en recipientes cerrados porque podrían ser en riesgo de explosiones. Asegúrese de retirar las tapas cuando cocine comida sellada en botellas.

2. **Advertencia:** Retirar la cubierta que protege de la exposición a la energía de microondas es peligroso si no lo hace una persona profesional.
3. Este dispositivo puede ser utilizado por niños sobre 8 años de edad y por las personas con discapacidad física, sensorial o mental o con la falta de experiencia y conocimiento, si han recibido supervisión o instrucciones sobre el uso del aparato de manera segura y si entienden los peligros involucrados. Los niños no deberían jugar con el aparato y no deberían limpiarlo ni mantenerlo los niños que no son mayores de 8 años y bajo de control.
4. Mantenga el aparato y el cable fuera del alcance de los niños menores de 8 años.
5. Utilice solamente utensilios adecuados para su uso en hornos de microondas.
6. El horno se debe limpiar frecuentemente y también quitar cualquier resto de comida. Mantenga limpia la cubierta de la guía de ondas. Limpie el interior del horno con un paño suave humedecido después de cada uso. Si no elimina la grasa del interior del horno, ésta se puede recalentar y provocar humo o incluso prender fuego cuando vuelva a utilizar el microondas.
7. Lea y siga las "**PRECAUCIONES PARA EVITAR LA POSIBLE EXPOSICIÓN A ENERGÍA DE MICROONDAS**".
8. Durante el calentamiento de los alimentos en recipientes de plástico o de papel, asegúrese de posibles riesgos de incendio.
9. En caso de fuego, apague el horno o lo desconecte de la red eléctrica, y mantenga la puerta del horno cerrada con el fin de sofocar el fuego.
10. No cocinar demasiado largo tiempo los alimentos. No sobrecaliente los líquidos. Agite el líquido tanto antes y a la agite el líquido tanto antes y a la mitad de la cocción.
11. No utilice el interior del horno para su almacenamiento. No ponga artículos tales como pan, pasteles, etc. dentro del horno.
12. Retire los ganchos y las manijas de alambre y de metal de los recipientes/bolsas plásticas o de papel antes de ponerlos en el horno.
13. Instale o coloque este aparato sólo de acuerdo con las instrucciones de instalación.
14. Los huevos en su cascarón y los huevos hervidos no deberán calentarse en los hornos microondas ya que pueden explotar, incluso después de que termino la cocción. Si desea cocinar o recalentar los huevos para mezclarlos, siempre deberá perforar las yemas o también explotarán.
15. Este aparato está diseñado para uso doméstico y para establecimientos similares, tales como: cocina para el personal, oficinas y entornos de trabajo similares, hoteles, moteles y entornos similares, viviendas residenciales, viviendas rurales, etc.
16. Si el cable de alimentación está dañado, debe ser reemplazado por el fabricante, por el servicio técnico autorizado o por personal cualificado con el fin de evitar posibles peligros.
17. No utilice este aparato en el exterior.
18. No use este horno cerca del agua, sótano húmedo o cerca de una piscina.
19. Durante su funcionamiento, la temperatura de las áreas disponibles puede ser alta. Mantenga el cable alejado de superficies calientes y no cubra las rejillas de ventilación del horno.

20. No permita que el cable de alimentación cuelgue sobre el borde de una mesa o de un escritorio.
21. Si el aparato no se mantiene en un buen estado de limpieza, su superficie podría degradarse y afectar a la vida útil del aparato y dar lugar a una situación peligrosa.
22. Los contenidos de biberones o de comida para bebés deberán ser movidos o sacudidos y deberá revisarse la temperatura antes de su consumo, para evitar quemaduras.
23. El calentamiento de bebidas por microondas puede resultar en una ebullición tardía, por lo tanto se recomienda tener cuidado al manipular el contenedor. No caliente aceite o grasa para freír porque no es posible controlar su temperatura; podría recalentarse y prender fuego.
24. El horno no debe ser utilizado por personas con reducidas capacidades físicas, sensoriales o mentales o por personas sin experiencia o conocimiento, a menos que estén supervisadas o formadas sobre el uso del aparato por una persona responsable de la seguridad.
25. Es necesario supervisar a los niños para asegurarse de que no jueguen con el aparato ni lo usen.
26. Horno de microondas no se puede colocar encima de o contra paredes, protecciones, paredes divisorias, muebles de cocina o revestimientos de material inflamable.
27. El dispositivo no está diseñado para que funcione por medio de un temporizador externo o un sistema de control remoto independiente.
28. La última superficie del dispositivo debe ser colocado en frente de la pared.
29. Las partes del aparato pueden calentarse durante el uso, por lo que los niños deben mantenerse alejados del aparato.
30. No se debe limpiar con limpiadores de vapor.
31. La unidad se calienta durante el funcionamiento. Evite tocar los elementos calefactores del interior del horno.
32. Use sólo la sonda de temperatura recomendada para este horno (horno suministra la instalación para utilizar la sonda para comprobar la temperatura).
33. **ADVERTENCIA:** El aparato y sus partes accesibles se calientan durante el uso. Debe evitarse cuidadosamente tocar los elementos calefactores. Los niños menores de 8 años de edad deben mantenerse alejados del aparato si no recibe atención.
34. Cuando se trabaja, puertas decorativas deben permanecer abiertos (para hornos con puerta decorativa).

LEA ATENTAMENTE Y CONSERVE ESTE USUARIO PARA USO FUTURO

Para reducir el riesgo de daño físico

PELIGRO

Riesgo de descarga eléctrica.

Tocar algunos de los componentes internos puede causar lesiones personales graves o la muerte.

No desmonte el dispositivo.

ADVERTENCIA

Riesgo de descarga eléctrica.

Conexión a tierra incorrecta puede causar la descarga eléctrica. No encienda el dispositivo en el enchufe hasta que no se instale correctamente.

Este dispositivo debe estar conectado a tierra. En el caso de un cortocircuito eléctrico, la conexión eléctrica puesta a tierra reduce el riesgo de descarga eléctrica a través de los cables de descarga de la electricidad.

Este dispositivo está equipado con un cable de alimentación conectado a tierra y con un enchufe con toma de tierra. El enchufe debe convertirse en una toma de corriente con conexión puesta a tierra. Consulte a un electricista o representante servicio calificado si no entiende completamente las instrucciones de conexión a tierra o si no está seguro de si el dispositivo está conectado a tierra correctamente.

Si debe usar un cable de extensión, utilice un cable de extensión de tres alambres.

1. Cable de alimentación es corto para minimizar los riesgos de enredos o tropezar con un cable eléctrico más largo.

2. Si se utiliza un cable de alimentación o el cable de extensión larga:

- 1) El cable de alimentación nominal de salida o cable de extensión debe ser igual o mayor que la potencia nominal del dispositivo.

- 2) El cable de extensión debe estar conectado a tierra.

- 3) El cable de energía necesita estar conexo de manera en que no cuelgue sobre el borde del escritorio o del mueble, para evitar de que alguien tropiece accidentalmente.

LIMPIEZA

Asegúrese de apagar el horno de la toma eléctrica.

1. Limpie el interior del horno con un paño suave humedecido después de cada uso. Si no elimina la grasa del interior del horno, ésta se puede recalentar y provocar humo o incluso prender fuego cuando vuelva a utilizar el microondas.

2. Limpie los accesorios de manera habitual en agua jabonosa.

3. Cuando están sucios, el marco de la puerta, el sello y partes vecinas deben limpiarse cuidadosamente con un paño húmedo.

4. No utilice limpiadores abrasivos o raspadores de metal afilados para limpiar el cristal de la puerta del horno, ya que pueden rayar la superficie, lo cual puede resultar en la ruptura del vidrio.

5. CONSEJO para la limpieza más fácil de lavar el interior del horno de alimentos

ricos en grasas: coloque la mitad de un limón en un bol, añada 300 ml de agua.
Limpiar el horno con un paño suave y seco.

PRECAUCIÓN

Peligro de lesiones

Servicio o reparación, que consiste en la eliminación de la cubierta que protege contra la exposición a la energía de microondas, es peligroso para todos, excepto para la persona profesional.

PLATOS

Ver las instrucciones en "Los materiales que se pueden utilizar en un horno microondas o que deben ser evitados». Hay un cierto utensilios no metálicos que no son seguros para su uso en hornos de microondas. En caso de duda, el plato día se puede probar como se describe a continuación.

Ensayo de los recipientes y platos:

1. Llenar el recipiente apto para su uso en microondas con 1 taza de agua fría (250 ml).
2. Cocine a potencia máxima durante 1 minuto.
3. Toque cuidadosamente el fondo del recipiente. Si el recipiente vacío está todavía caliente, no lo use para cocinar en un horno de microondas.
4. No exceda de 1 minuto de la cocción.

Materiales seguros para su uso en hornos de microondas

Papel de aluminio	Se utiliza sólo para cubrir las piezas delgadas de carne o de aves de corral para evitar que sean sobre cocinadas. Si el papel está demasiado cerca de las paredes del horno podrían ser causadas las chispas. El papel de aluminio debería estar alejado de las paredes como mínimo 2.5 cm.
Platos para hornear	Siga las instrucciones del fabricante. El fondo del recipiente debe ser de un mínimo de 5 mm por encima de las placas que están girando. El uso incorrecto puede causar grietas en las placas.
Cubertería	Siga las instrucciones del fabricante. Utilice solamente la cubertería apta para uso en los hornos microondas. No utilice la cobertura estropeada o rota.
Tarros	Quite siempre la tapa. Utilice los tarros si la comida no está sobrecalentada porque la mayoría de tarros no están resistentes al calor alto y podrían romperse.
Platos y recipientes de vidrio	Siga las instrucciones del fabricante. Utilice solamente platos y recipientes ignífugos. Sobre los platos no puede ser ninguna parte de metal. No utilice los platos rotos o estropeados.
Bolsas para cocinar	Siga las instrucciones del fabricante. No cierre las bolsas con cordones metálicos. No haga agujeros para salida del vapor. Debería estar abiertos como descrito en el embalaje.
Platos y tazas papapel	Utilícelos sólo para cocción a tiempo corto. No deje el horno sin supervisión durante la cocción.
Servilletas de papel	Utilícelas para cubrir la comida y para absorción de grasas antes de cocinarla. Utilícelas sólo para cocción a corto tiempo.
Papel para pasteles	Utilícelos para cubrir la comida con el fin de evitar pulverización
Plástica	Utilice solamente la plástica apta para hornos microondas. Siga las instrucciones del fabricante. Sobre el producto debería ser marcado: "Microwave Safe".
Papel de plástica	Utilice solamente la plástica apta para hornos microondas. Se utilice para cubrir la comida durante la cocción, con el fin de conservar la humedad. El papel de plástica no debería tocar la comida.
Termómetros	Utilice solamente los termómetros aptos para hornos microondas.
Papel de hornear	Se utilice solamente para cubrir la comida con el fin de evitar pulverización y retención de humedad.

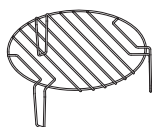
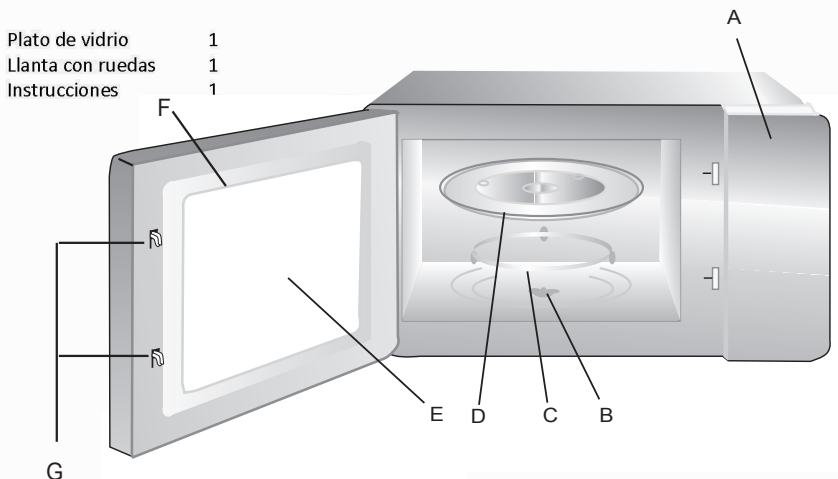
Materiales inadecuados para su uso en hornos de microondas

Materiales	Notas
Plato de aluminio	Podría causar las chispas. Es mejor poner la comida en los platos aptos para hornos microondas.
Platos y recipientes con los bordes metálicos	Podrían causar las chispas. Es mejor poner la comida en los platos aptos para hornos microonda
Platos i recipientes metálicos	Metal protege la comida de energía de microondas, pero bordes metálicos podrían causar las chispas
Cordones metálicos	Podrían causar las chispas y el fuego.
Bolsas de papel	Podrían causar el fuego.
Espuma de plástica	Espuma de plástica se puede disolver o contaminar el interior del horno
Madera	La madera se puede secar en el horno microondas, y, como la consecuencia puede haber fracturas o grietas.

INSTALACIÓN DE SU HORNO

Nombres de las piezas del horno y accesorios

Retire el horno rernu y todos los accesorios del embalaje y el interior del horno. El horno viene con los siguientes accesorios:



Grill parrilla (Se usa sólo para la función grill y se pone sobre el plato de vidrio)

- A) Panel de control
- B) La base para la rotación
- C) Llanta con ruedas
- D) Plato de vidrio
- E) Ventana para observar
- F) Puerta
- G) Sistema de cierre seguro

Instalación del plato giratorir

Lado medio (inferior)



- a. Nunca coloque la bandeja de vidrio al revés. Nada debe bloquear la placa de vidrio.
- b. Para el tiempo de cocción y la placa de vidrio y la llanta de la rueda deben ser utilizados.
- c. Al cocinar, todos los alimentos y envases siempre deben ser colocados en una placa de vidrio.
- d. Si la placa de vidrio o de la llanta con las ruedas rotas si rompen, póngase en contacto con su centro de servicio autorizado más cercano.

Instalación y conexión

1. Este aparato está destinado exclusivamente a uso doméstico.
2. Este horno está diseñado solamente para uso interno. No está diseñado para su uso por la encimera ni dentro de un móvil.
3. Observe las instrucciones especiales de instalación.
4. El aparato se puede instalar en una alacena de pared de 60 cm de ancho.
5. El aparato está provisto de un enchufe y sólo debe conectarse a un enchufe con toma de tierra instalado correctamente.
6. La tensión de red debe corresponder a la tensión especificada en la placa de características.
7. El enchufe debe ser instalado y el cable de conexión sólo debe ser reemplazado por un electricista calificado. Si el enchufe ya no es accesible después de la instalación, en el lado de instalación debe estar presente un dispositivo de desconexión de todos los polos con un espacio de contacto de al menos 3 mm.
8. No se deben utilizar adaptadores, tiras de múltiples vías y alargadores. La sobrecarga puede provocar un incendio.

La superficie accesible puede estar caliente durante la operación.



Instrucciones de instalación

Por favor lea detenidamente el manual antes de instalación

Conexión eléctrica

El horno está equipado con un enchufe y debe conectarse sólo a un enchufe con toma de tierra instalado correctamente. El enchufe debe instalarse y el cable de conexión debe sólo ser reemplazado por un electricista calificado y de acuerdo con las regulaciones apropiadas.

Si el enchufe ya no es accesible después de la instalación, en el lado de instalación debe estar presente un interruptor de aislamiento de todos los polos con un espacio de contacto de al menos 3 mm.

El armario montado no debe tener una pared trasera detrás del aparato.

Se debe mantener una separación entre la pared y la base de la unidad anterior. El tamaño de hueco específico podría ser referenciado por los diagramas.

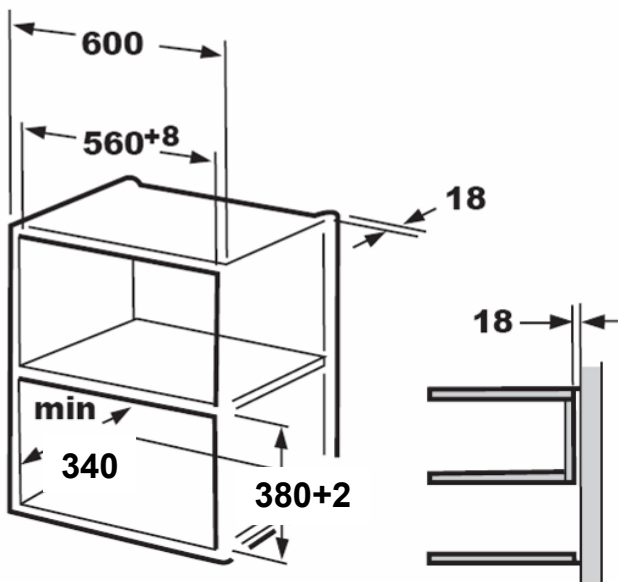
Altura mínima de instalación: 85 cm.

No cubra las ranuras de ventilación y los orificios de succión.

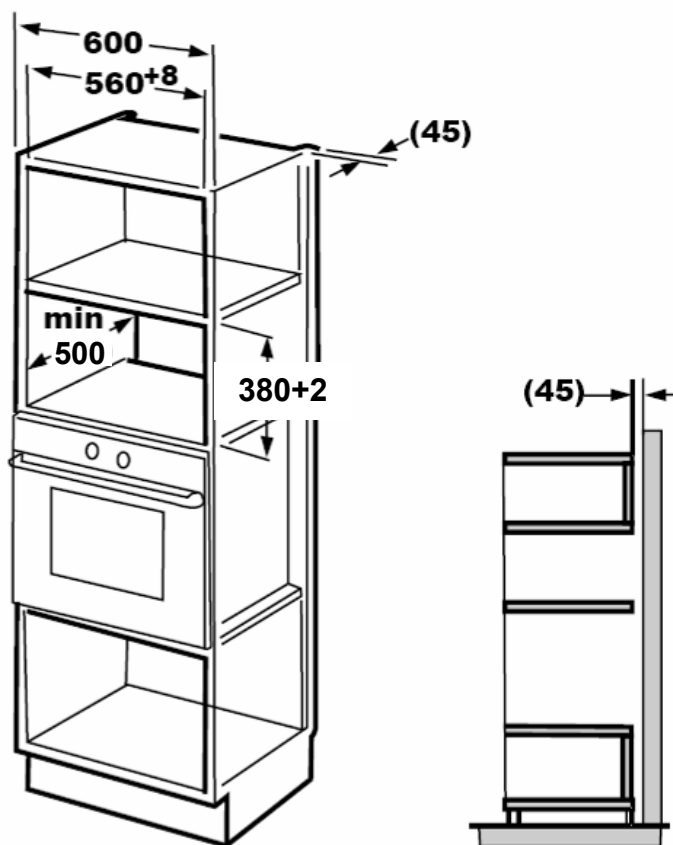
Nota: No atrape ni doble el cable de alimentación.

A. Muebles empotrados

1.



2.

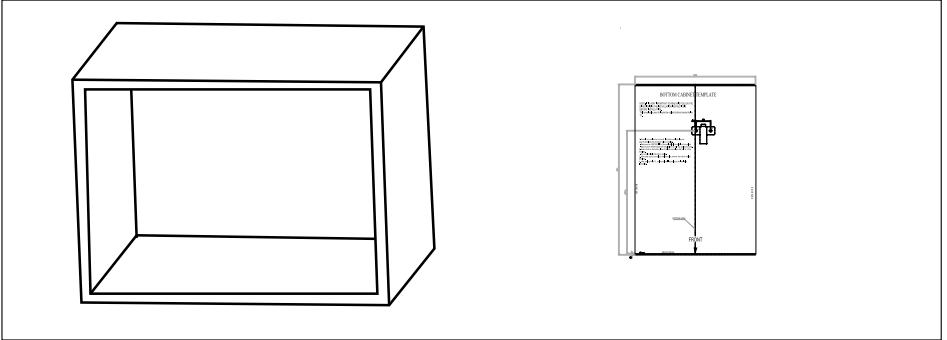


Nota:

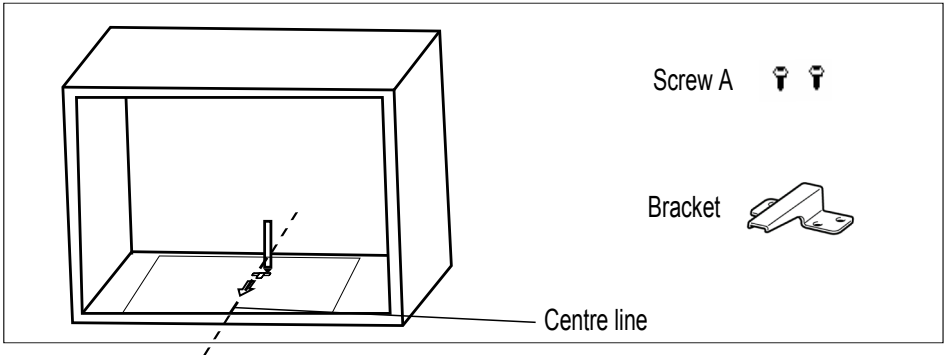
El soporte y la plantilla del gabinete inferior son necesarios cuando se instalan en ambas instalaciones.

B. Preparar el armario

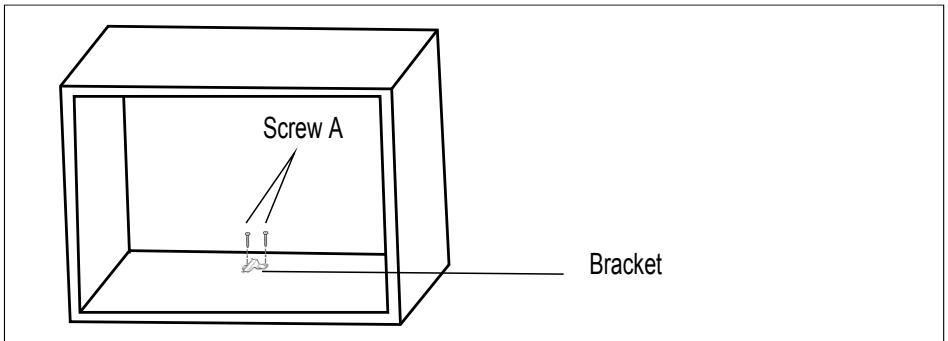
1. Lea las instrucciones en la PLANTILLA INFERIOR del MUEBLE, ponga la plantilla en el plano inferior del gabinete.



2. Haga las marcas en el plano inferior del gabinete de acuerdo con las marcas "a" de la plantilla.



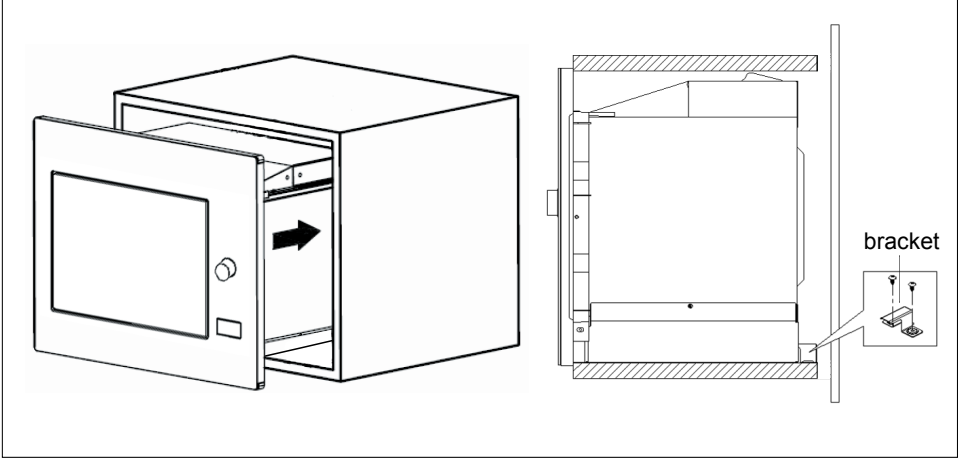
3. Retire la plantilla del gabinete inferior y fije el soporte con el tornillo A.



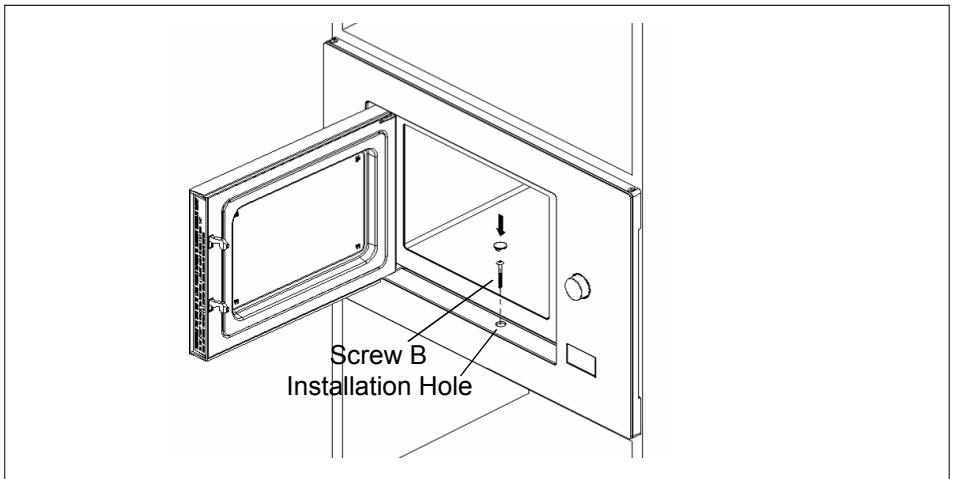
C .Instalar el horno

4. Instalar el horno en el armario

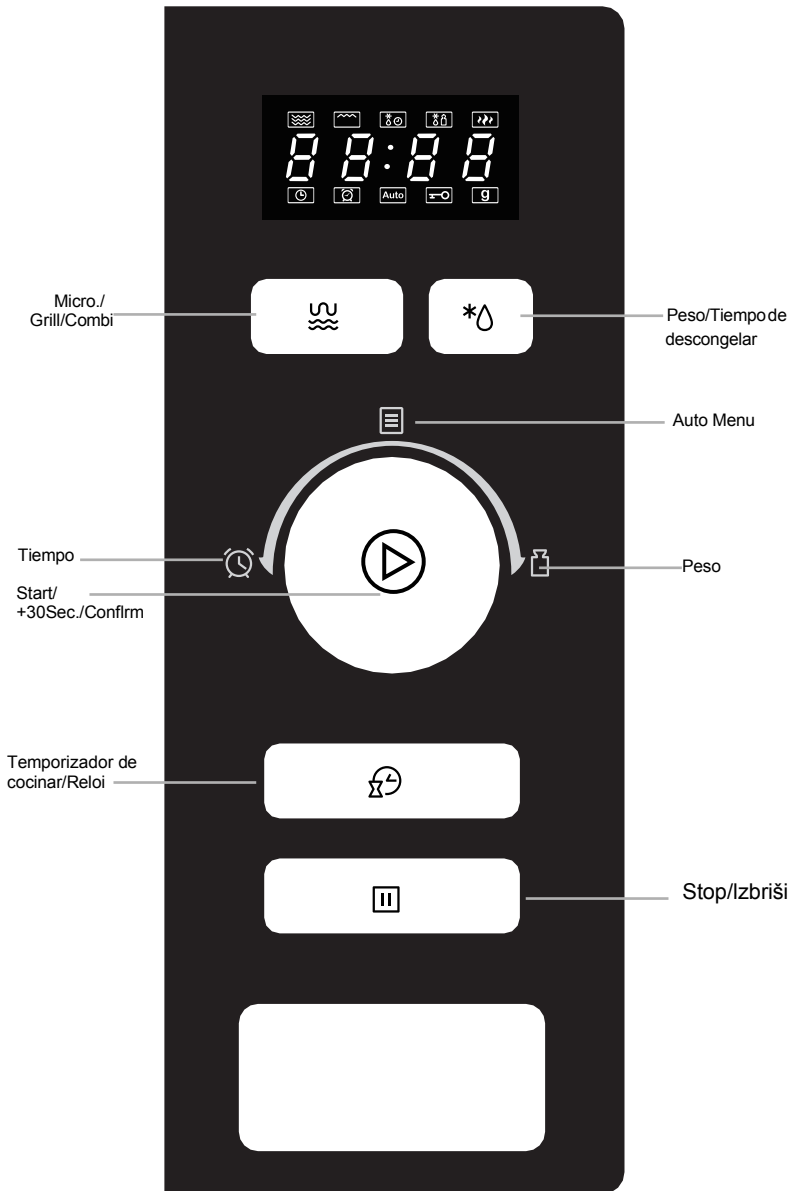
- Asegúrese de que la parte posterior del horno esté bloqueada por el soporte.
- No atrape ni doble el cable de alimentación.



5. Abra la puerta, fije el horno en el gabinete con el tornillo B, en el orificio de instalación. A continuación, fije la cubierta de plástico del Trim-kit en el orificio de instalación.





Panel de control



Instrucciones de operación

1. Ajuste de reloj


Cuando el horno de microondas está electrificado, la pantalla mostrará "0:00", el zumbador sonará una vez.

- 1) Pulse "Cocina Temporizador / Reloj" dos veces para seleccionar la función de reloj, y las cifras de hora parpadearán.
- 2) Pulse  para ajustar las cifras de las horas, el tiempo de entrada debe estar dentro de 0-23.
- 3) Pulse "Temporizador de Cocina / Reloj", y las cifras de minutos parpadearán.
- 4) Pulse  para ajustar las cifras de minutos, el tiempo de entrada debe estar dentro de 0-59.
- 5) Pulse "Temporizador de Cocina / Reloj" para finalizar la configuración del reloj. "" parpadeará y el tiempo se iluminará.



Nota: 1) Si el reloj no está ajustado, no funcionaría cuando se encienda.

- 2) Durante el proceso de ajuste del reloj, si pulsa "Stop / Clear", el horno volverá automáticamente al estado anterior.

2. Cocinar de microondas

Presione "Micro/Grill/Combi.", la pantalla mostrará "P100". Presione "Micro./Grill/Combi. por veces o gire "  " para elegir la potencia de microondas que desea, y "P100", "P80", "P50", "P30" o "P10" se mostrarán para cada prensa agregada, luego pulse "Start / + 30Sec./Confirm" para confirmar y gire "" para ajustar el tiempo de cocción a partir de 0:05 a las 95:00. Pulse "Start / + 30Sec. / Confirm" de nuevo para iniciar la cocción.

Ejemplo: Si desea utilizar una potencia de microondas del 80% para cocinar durante 20 minutos, puede utilizar el horno siguiendo los siguientes pasos:



- 1) Presione "Micro./Grill/Combi" una vez, la pantalla "P100".
- 2) Presione "Micro/Grill/ Combi" una vez más o gire "  " para elegir la potencia de microondas del 80%.
- 3) Pulse "Start / + 30Sec / Confirm" para confirmar, y la pantalla mostrará "P 80".
- 4) Gire "  " para ajustar el tiempo de cocción hasta que el horno muestre "20:00".
- 5) Pulse "Start / + 30Sec / Confirm" para iniciar la cocción

Nota: las magnitudes de paso para el tiempo de ajuste del conmutador de codificación son las siguientes:

- 0—1min: 5 segundos
- 1—5min: 10 segundos
- 5—10 min: 30 segundos
- 10—30 min: 1 minutos
- 30—95 min: 5 minutos

"Micro./GriM/Combi." Orden	Pad instrucciones Display	Microondas Potencia	Parilla Potencia
1	P 100	100%	
2	P 80	80%	
3	P 50	50%	
4	P 30	30%	
5	P 10	10%	
6	G	0%	100%
7	C-1	55%	45%
8	C-2	36%	64%

3. Parrilla o Combi. Cocción

Presione "Micro./Grill/Combi" y la pantalla mostrará "P100", y presione "Micro/Grill/Combi" para veces o gire la  para elegir la potencia que desea, y "G", "C-1" o "C-2" se mostrará para cada prensa agregada. A continuación, pulse "Start / + 30Sec. / Confirm" para confirmar y gire  para ajustar el tiempo de cocción de 0:05 a 95:00. Pulse "Start / + 30Sec. / Confirm" de nuevo para iniciar la cocción.

Ejemplo: Si desea utilizar un 55% de potencia de microondas y un 45% de potencia de la parrilla (C-

1) para cocinar durante 10 minutos, puede utilizar el horno como sigue:

2) Pulse una vez "Micro /Grill / Combi" en la pantalla "P100".

3) Pulse "Micro/Grill / Combi" para tiempo o gire  para elegir combi. 1.

3) Pulse "Start / + 30Sec. / Confirm" para confirmar y la pantalla mostrará "C-1".


4) Gire  para ajustar el tiempo de cocción hasta que el horno muestre "10:00".

5) Pulse "Start/+30Sec./Confir/m" para iniciar la cocción.


Nota: Si pasa la mitad del tiempo de la parrilla, el horno suena dos veces, y esto es normal. Para tener un mejor efecto de asar a la parrilla los alimentos, debe cerrar los alimentos, cerrar la puerta y luego presionar "Start / +30Sec./Confirm" para continuar la cocción.

Si no funciona, el horno continuará trabajando.


4) Inicio rápido

- 1) En estado de espera, presione "Start / + 30Sec. / Confirmar" para iniciar la cocción con el 100% de potencia, cada prensado añadido aumentará 30 segundos de tiempo de cocción hasta 95 minutos.
- 2) En el microondas, la parrilla, la cocción combinada o el tiempo de descongelación, cada presión de "Start / + 30Sec. / Confirm" puede aumentar 30 segundos de tiempo de cocción.
- 3) En estado de espera, gire  a la izquierda para ajustar el tiempo de cocción con 100% de potencia de microondas, luego presione "Start / + 30Sec./Confirm" para iniciar la cocción.


5. Descongelación por peso

- 1) Presione "Weight / Time Defrost" una vez, y el horno mostrará "dEF1".
- 2) Gire  para seleccionar el peso del alimento de 100 a 2000 g.
- 3) Pulse "Start / + 30Sec. / Confirni" para iniciar la descongelación.

6. Descongelación por tiempo

- 1) Presione "Weight / Time Defrost" dos veces, y el horno mostrará "dEF2".
- 2) Gire  para seleccionar el tiempo de descongelación. El tiempo MAX es de 95 minutos.
- 3) Presione "Start / + 30Sec. / Confirm" para iniciar la descongelación. La potencia descongelación es P30 y no se cambiará.



7. Temporizador de cocina

- (1) Pulse "Temporizador de Cocina / Reloj" una vez, la pantalla mostrará 00:00.
- (2) Gire  para introducir el temporizador correcto (el tiempo máximo de cocción es de 95 minutos).
- (3) Pulse "Start / + 30Sec. / Confirmar" para confirmar el ajuste.
- (4) Cuando se alcanza el tiempo de cocción, el indicador del temporizador se apagará. El zumbador sonará 5 veces.



Si se ajusta el reloj (sistema de 24 horas), la pantalla mostrará la hora actual.

Nota: El tiempo de la cocina es diferente del sistema de 24 horas, el temporizador de la cocina es un contador de tiempo

8. Auto Menu

- 1) Gire  a la derecha para elegir el menú, y "A-1" a "A-8" se mostrará.
- 2) Pulse "Start / + 30Sec. / Confirmar" para confirmar.
- 3) Gire  para elegir el peso predeterminado como el gráfico de menú.
- 4) Presione "Start / + 30 Sec/Confirm" para iniciar la cocción.

Ejemplo: Si desea utilizar "Auto Menu" para cocinar pescado para 350g:

- 1) Gire  en sentido horario hasta que aparezca la pantalla "A-6".
- 2) Pulse "Start / + 30Sec. / Confirm" para confirmar.
- 3) Gire  para elegir el peso del pescado hasta 350 g.
- 4) Pulse "Start / + 30Sec. / Confirm" para iniciar la cocción.




La tabla de menús:

Menu	Peso	Pantalla
A-1	200 g	200
Pizza	400 g	400
A-2	250 g	250
Carne	350 g	350
	450 g	450
A-3	200 g	200
Verduras	300 g	300
	400 g	400
A-4	50g(con 450 ml agua fría)	50
Pasta	100g(con 800 ml agua fría)	100
A-5	200 g	200
Patata	400 g	400
	600 g	600
A-6	250 g	250
Pescado	350 g	350
	450 g	450
A-7	1 taza (120 ml)	1
Bebidas	2 tazas (240 ml)	2
	3 tazas (360ml)	3
A-8	50 g	50
Palomitas de maíz	100 g	100

9. Cocción de varias secciones

En mayoría las 2 secciones se pueden configurar para cocinar. En la cocción de varias secciones, si una sección está descongelando, la descongelación se colocará automáticamente en la primera sección.

Ejemplo: Si desea descongelar los alimentos durante 5 minutos y luego cocinar con 80% de potencia de microondas durante 7 minutos, opérelo como sigue:

- 1) Presione "Peso/Tiempo de descongelar " dos veces, y la pantalla mostrará "dEF2".
- 2) Gire "  " para elegir tiempo de descongelación hasta "5:00".
- 3) Presione "Micro./Grill/Combi" una vez l la pantalla mostrará "P100".
- 4) Presione "Micro./Grill/Combi" una vez de nuevo o gire "  " para elegir 80% microondas.
- 5) Presione "Start/+30Sec./Confirm" para confirmar y la pantalla mostrará "P 80".
- 6) Gire "  " para ajustar tiempo de cocinar hasta que la pantalla muestre "7:00".
- 7) Presione "Start / + 30Sec. / Confirmar" para iniciar la cocción, y el zumbador sonará una vez para la primera sección, el tiempo de descongelación cuenta hacia abajo; El zumbador volverá a sonar entrando en la segunda cocción. Cuando termine la cocción, el zumbador suena cinco veces.

10. Función investigadora

- (1) En los estados de microondas, parrilla y cocina combinada, presione "Micro./Grill/Combi.". La potencia actual o el tipo de parrilla se mostrará durante 3 segundos. Después de 3 segundos, el horno volverá al estado anterior;
- (2) En estado de cocción, presione "Temporizador de Cocina / Reloj" para averiguar la hora y la hora se mostrará durante 3 segundos.

Solución de problemas

Normal	
Microondas interfieren la recepción de TV	La recepción de radio y TV puede interferir cuando el horno microondas funcione. Es similar a la interferencia de pequeños electrodomésticos, como el mezclador, la aspiradora y el ventilador eléctrico. Es normal.
Luz tenue del horno	En cocciones de microondas de baja potencia, la luz del horno puede volverse tenue. Es normal.
Vapor que se acumula en la puerta, aire caliente fuera de los respiraderos	En la cocina, el vapor puede salir de los alimentos. La mayoría saldrá de respiraderos, pero algunos pueden acumularse en lugar fresco como la puerta del horno. Es normal.
El horno empezó accidentalmente sin comida	Se prohíbe hacer funcionar la unidad sin ningún alimento dentro. Es muy peligroso. Apáguelo inmediatamente.

Problema	Posible causa	Solución
El horno no se activa	(1) El cable de corriente no está conexo bien	Desconecte el cable y lo conecte de nuevo después de 10 segundos
	(2) El automático defectuoso	Cambie el automático
	(3) Problema con el enchufe	Pruebe la toma con otros dispositivos eléctricos
El horno no calenta	(4) La puerta no cerrada bien	Cierre bien la puerta
El plato de vidrio hace mucho ruido durante el funcionamiento del horno	(5) La llanta con rodillos sucia	Sobre la limpieza consulte el artículo "Mantenimiento de los hornos de microondas"



De acuerdo con las disposiciones relativas a la eliminación de los aparatos eléctricos y electrónicos, las partes del dispositivo deberán ser recogidas y tratados selectivamente. Si en cualquier momento quiere arrojar este dispositivo, no lo arroje, por favor, junto con otros residuos domésticos, pero en ese lugar ya predeterminado por esta actividad.



IMWH- GD202IX

ΕΓΧΕΙΡΙΔΙΟ ΧΡΗΣΤΗ ΦΟΥΡΝΟΣ ΜΙΚΡΟΚΥΜΑΤΩΝ

Διαβάστε προσεκτικά τις οδηγίες πριν από τη χρήση του φούρνου σας και αποθηκεύατε τις με προσοχή.

Εάν ακολουθήσετε αυτές τις οδηγίες, ο φούρνος σας θα σας εξυπηρετεί καλά για πολλά χρόνια.

ΔΙΑΒΑΣΤΕ ΠΡΟΣΕΚΤΙΚΑ ΑΥΤΕΣ ΤΙΣ ΟΔΗΓΙΕΣ

ΠΡΟΦΥΛΑΞΕΙΣ ΓΙΑ ΝΑ ΑΠΟΦΥΓΕΤΕ ΠΙΘΑΝΗ ΥΠΕΡΒΟΛΙΚΗ ΕΚΘΕΣΗ ΣΕ ΕΝΕΡΓΕΙΑ ΜΙΚΡΟΚΥΜΑΤΩΝ

(α) Μη δοκιμάζετε να χρησιμοποιείτε το φούρνο με ανοιχτή πόρτα διότι αυτό μπορεί να οδηγήσει σε βλαβερή έκθεση σε ενέργεια μικροκυμάτων. Είναι σημαντικό να μη σπάσετε ή γυρίσετε τις ενώσεις ασφάλειας.

(β) Μην τοποθετείτε κανένα αντικείμενο ανάμεσα στην μπροστινή πλευρά του φούρνου και την πόρτα, μην αφήσετε να συσσωρευτεί ακαθαρσία ή να μείνουν απορρυπαντικά στις επιφάνειες στεγανοποίησης.

(γ) ΠΡΟΕΙΔΟΠΟΙΗΣΗ: Εάν η πόρτα και η στεγανοποίηση της πόρτας είναι βλαμμένες, ο φούρνος δεν πρέπει να χρησιμοποιείται ώσπου να το επισκευάσει ένα εξειδικευμένο άτομο.

ΠΑΡΑΡΤΗΜΑ

Εάν η συσκευή δεν καθαρίζεται τακτικά, αυτό μπορεί να επηρεάσει την επιφάνειά της και τη διάρκεια λειτουργίας και να προκαλέσει σοβαρούς τραυματισμούς.

Προδιαγραφές

Μοντέλο:	IMWH-GD2021X
Τάση λειτουργίας:	230V~50Hz
Ονομαστική ισχύς εισόδου (μικροκύματα):	1250W
Ονομαστική ισχύς εξόδου (μικροκύματα):	800W
Ονομαστική ισχύς εισόδου (Γκριλ):	1000W
Χωρητικότητα φούρνου:	20L
Διάμετρος περιστρεφόμενου δίσκου:	Ø 245 η η
Εξωτερικές διαστάσεις:	595x343.5x388 η η
Καθαρό βάρος:	περίπου 15 Kg

ΣΗΜΑΝΤΙΚΕΣ ΟΔΗΓΙΕΣ ΑΣΦΑΛΕΙΑΣ

ΠΡΟΕΙΔΟΠΟΙΗΣΗ

Για να μειώσετε το ρίσκο από πυρκαγιά, ηλεκτροπληξία, σωματικό τραυματισμό ή υπερβολική έκθεση σε ενέργεια μικροκυμάτων κατά τη διάρκεια της χρήσης της συσκευής, παρακαλούμε να τηρείτε τα βασικά μέτρα προφύλαξης, συμπεριλαμβανομένου και τα εξής:

1. **Προειδοποίηση:** Μη ζεσταίνετε υγρά και άλλα τρόφιμα μέσα σε κλειστό δοχείο, διότι υπάρχει πιθανότητα να εκραγούν.
2. **Προειδοποίηση:** Αφαίρεση καλύμματος που προστατεύει από την έκθεση σε ενέργεια μικροκυμάτων είναι επικίνδυνη σε οποιονδήποτε εκτός από ένα εξειδικευμένο άτομο.
3. Τη συσκευή μπορούν να τη χρησιμοποιούν παιδιά 8 ετών και πάνω και άτομα με μειωμένη σωματική, αισθητηριακές ή διανοητικές ικανότητες ή έλλειψη εμπειρίας και γνώσεων μόνο εάν βρίσκονται υπό επίβλεψη ή υπεύθυνα άτομα τους έδωσαν οδηγίες που αφορούν χρήση της συσκευής με ασφάλεια και καταλαβαίνουν τους κινδύνους που υπάρχουν. Παιδιά δεν πρέπει να παίζουν με τη συσκευή. Καθαρισμός και συντήρηση δεν πρέπει να γίνεται από παιδιά κάτω των 8 ετών και χωρίς επίβλεψη.
4. Κρατήστε τη συσκευή και το καλώδιο της μακριά από τα παιδιά κάτω των 8 ετών.
5. Χρησιμοποιήστε μόνο πιάτα κατάλληλα για χρήση μέσα σε φούρνο μικροκυμάτων.
6. Ο φούρνος πρέπει να καθαρίζεται τακτικά και να αφαιρείτε υπολείμματα τροφίμων.
7. Διαβάστε και διατηρήστε τις "ΠΡΟΦΥΛΑΞΕΙΣ ΓΙΑ ΝΑ ΑΠΟΦΥΓΕΤΕ ΠΙΘΑΝΗ ΥΠΕΡΒΟΛΙΚΗ ΕΚΘΕΣΗ ΣΕ ΕΝΕΡΓΕΙΑ ΜΙΚΡΟΚΥΜΑΤΩΝ".
8. Κατά τη διάρκεια της θέρμανσης τροφίμων στα πλαστικά ή χάρτινα δοχεία, προσέχετε το φούρνο λόγω κινδύνου πυρκαγιάς.
9. Σε περίπτωση φλόγας, σβήστε το φούρνο ή αποσυνδέστε το από την πρίζα και κρατήστε την πόρτα του φούρνου κλειστή, ώσπου να σβήσει η φωτιά.
10. Μην ψήσετε υπερβολικά τα τρόφιμα.
11. Μη χρησιμοποιείτε το εσωτερικό του φούρνου για αποθήκευση. Μην αποθηκεύετε τρόφιμα όπως το ψωμί, κέικ, κτλ. μέσα στο φούρνο.
12. Βγάλτε συνδετήρες και μεταλλικές λαβές από χάρτινα και πλαστικά δοχεία/σακούλες πριν τους βάλετε στο φούρνο.
13. Κάντε την εγκατάσταση και τοποθετήστε το φούρνο αποκλειστικά

σχετικά με τις παρεχόμενες οδηγίες εγκατάστασης.

14. Αυγά με το τσόφλι του ή ολόκληρα σφιχτά βρασμένα αυγά δεν πρέπει να ζεσταίνονται στο φούρνο μικροκυμάτων καθώς υπάρχει πιθανότητα να εκραγούν, ακόμη και μετά το ζέσταμα στο φούρνο.

15. Η συσκευή αυτή προορίζεται για εσωτερική οικιακή χρήση και χρήση σε παρόμοια κτίρια όπως: -κουζίνες για εργαζομένους, γραφεία και παρόμοιους χώρους εργασίας -στα ξενοδοχεία, μοτέλ και παρόμοια κτίρια -σπίτια στο χωριό -καταλύματα.

16. Σε περίπτωση που το καλώδιο ρεύματος έχει βλάβη, πρέπει να το αλλάξει ο παρασκευαστής, το εξουσιοδοτημένο κέντρο επισκευών ή παρόμοιος εξειδικευμένος τεχνικός για να αποφευχθούν πιθανοί κίνδυνοι.

17. Μην κρατάτε και μη χρησιμοποιείτε τη συσκευή σε εξωτερικούς χώρους.

18. Μη χρησιμοποιείτε αυτό το φούρνο δίπλα στο νερό, στο υγρό υπόγειο ή κοντά σε πισίνα.

19. Κατά τη διάρκεια της λειτουργίας, η θερμοκρασία της διαθέσιμης επιφάνειας μπορεί να αυξηθεί. Κρατήστε το καλώδιο τροφοδοσίας μακριά από ζεστές επιφάνειες και μην καλύπτετε τις τρύπες στο φούρνο.

20. Μην αφήνετε καλώδιο ρεύματος να κρέμεται πάνω από την άκρη τραπεζιού ή επιφάνεια εργασίας.

21. Αν δεν καθαρίζετε το φούρνο τακτικά, η επειφάνειές του μπορούν να ζημιωθούν, που μπορεί να μειώσει τη διάρκεια λειτουργίας της συσκευής και να προκαλέσει σοβαρούς ταρυματισμούς.

22. Για να αποφύγετε εγκαύματα, πριν από τη σίτιση μωρού πρέπει να ανακατεύσετε ή να τινάξετε λίγο τα περιεχόμενα από μπουκάλι για μωρά και βαζάκια με τρόφιμα για μωρά και να ελέγξετε τη θερμοκρασία τους.

23. Ζέσταμα ποτών στο φούρνο μικροκυμάτων μπορεί να προκαλέσει καθυστερημένο εκρηκτικό βράσιμο και γι'αυτό πρέπει να προσέχετε όταν κρατάτε το δοχείο στο οποίο βρίσκεται το ποτό.

24. Τη συσκευή δεν πρέπει να τη χρησιμοποιούν άτομα (και παιδιά) με μειωμένη σωματική, αισθητηριακές ή διανοητικές ικανότητες ή έλλειψη εμπειρίας και γνώσεων, εκτός εάν βρίσκονται υπό επίβλεψη ή τους έδωσαν οδηγίες που αφορούν χρήση της συσκευής τα άτομα υπεύθυνα για την ασφάλειά τους.

25. Παιδιά πρέπει να επιβλέπονται για να σιγουρευτεί ότι δεν παίζουν με τη συσκευή.

26. Η συσκευή δεν προορίζεται να λειτουργεί με εξωτερικό χρονόμετρο ή ξεχωριστό σύστημα τηλεχειρισμού.

27. Τα εξαρτήματα της συσκευής μπορούν να ζεσταθούν κατά τη λειτουργία και γι'αυτό πρέπει να κρατήσετε τα παιδιά μακριά από τις ζεστές επιφάνειες.

28. Δεν πρέπει να καθαρίζεται με ατμοκαθαριστές.
29. Ενώ λειτουργεί, η συσκευή ζεσταίνεται. Προσέξτε να μην αγγίζετε τα θερμαντικά στοιχεία του φούρνου.
30. Χρησιμοποιείτε μόνο θερμόμετρα που προορίζονται για αυτόν τον φούρνο (για φούρνους εξοπλισμένους με εγκατεστημένο θερμόμετρο για έλεγχο θερμοκρασίας).
31. **ΠΡΟΣΟΧΗ:** Η συσκευή και τα εξαρτήματά της ζεσταίνονται κατά τη λειτουργία. Πρέπει με προσοχή να αποφεύγετε άγγιγμα στοιχείων θέρμανσης. Παιδιά κάτω των 8 ετών και χωρίς επίβλεψη πρέπει να κρατούνται μακριά από τη συσκευή.
32. Κατά τη λειτουργία, διακοσμητική πόρτα πρέπει να μείνει ανοιχτή (για φούρνους με διακοσμητική πόρτα).
33. Η επιφάνεια του συρταριού αποθήκευσης μπορεί να ζεσταθεί.
34. Ο φούρνος μικροκυμάτων προορίζεται για ζέσταμα τροφής και ποτών. Ξήρανση τροφών και στέγνωμα ρούχων και ζέσταμα θερμαντικών μαξιλαριών, παντοφλών, σφουγγαριών, νωπών πανιών και παρόμοιων μπορεί να προκαλέσει τραυματισμούς, φλόγα και πυρκαγιά

ΔΙΑΒΑΣΤΕ ΠΡΟΣΕΚΤΙΚΑ ΚΑΙ ΑΠΟΘΗΚΕΥΣΤΕ ΓΙΑ ΜΕΛΛΟΝΤΙΚΗ ΧΡΗΣΗ

Για να μειώσετε το ρίσκο σωματικών τραυματισμών

Γείωσης

ΚΙΝΔΥΝΟΣ

Κίνδυνος ηλεκτροπληξίας.

Αγγίγμα κάποιων εσωτερικών στοιχείων μπορεί να προκαλέσει σοβαρούς σωματικούς τραυματισμούς ή να οδηγήσει σε θάνατο.

Μην αποσυναρμολογείτε τη συσκευή.

ΠΡΟΕΙΔΟΠΟΙΗΣΗ

Κίνδυνος ηλεκτροπληξίας.

Η ακατάλληλη γείωση μπορεί να προκαλέσει ηλεκτροπληξία. Μη συνδέετε τη συσκευή με την πρίζα ρεύματος ώσπου να γίνει σωστή εγκατάσταση και γείωση.

Αυτή η συσκευή πρέπει να είναι γειωμένη. Σε περίπτωση ηλεκτρικού βραχυκυκλώματος, η γείωση μειώνει τον κίνδυνο ηλεκτροπληξίας μέσω αγωγίμου σύρματος του ηλεκτρικού ρεύματος.

Η συσκευή εμπεριέχει ένα γειωμένο καλώδιο ρεύματος και ένα βύσμα με επαφές γείωσης. Το βύσμα πρέπει να συνδεθεί με σωστά εγκατεστημένη και γειωμένη πρίζα ρεύματος. Συμβουλευθείτε έναν εξειδικευμένο ηλεκτρικό ή τεχνικό εάν δεν καταλαβαίνετε εντελώς τις οδηγίες για τη γείωση ή εάν δεν είστε βέβαιοι ότι η συσκευή είναι σωστά γειωμένη.

Σε περίπτωση που χρειάζεστε καλώδιο επέκτασης, χρησιμοποιήστε αποκλειστικά το καλώδιο με τρεις πρίζες.

1. Το καλώδιο ρεύματος είναι κοντό για να μην μπλεχτεί και να μην σκοντάψει κανείς στο μακρύτερο καλώδιο.
2. Εάν χρησιμοποιείτε ένα μακρύτερο καλώδιο ρεύματος ή καλώδιο επέκτασης:
 - 1) Ονομαστική ισχύς καλωδίου ρεύματος ή καλωδίου επέκτασης πρέπει να είναι ίδια ή μεγαλύτερη από την ονομαστική ισχύ συσκευής.
 - 2) Το καλώδιο επέκτασης πρέπει να είναι γειωμένο.
 - 3) Το μακρύτερο καλώδιο ρεύματος πρέπει να συνδεθεί έτσι ώστε να μην κρέμεται πάνω από την άκρη πάγκου ή τραπέζιου όπου μπορούν να το τραβήξουν παιδιά ή όπου μπορεί κανείς να σκοντάψει σε αυτό.

ΚΑΘΑΡΙΣΜΟΣ

Οπωσδήποτε αποσυνδέστε το φούρνο από την πρίζα.

1. Μετά τη χρήση καθαρίστε το εσωτερικό του φούρνου ελαφρώς με νωπό πανί.
2. Καθαρίστε τα εξαρτήματα κανονικά με σαπουνόνερο.
3. Όταν έχουν λερωθεί, το πλαίσιο της πόρτας, η επιφάνεια σφραγίσματος και άλλα εξαρτήματα πρέπει να καθαριστούν με νωπό πανί.
4. Μη χρησιμοποιείτε ποτέ διαβρωτικά ή σκληρά απορρυπαντικά ή διαλυτικά υγρά που

μπορεί να αλλοιώσουν την επιφάνεια και το γυαλί.

5. **ΣΥΜΒΟΥΛΗ ΓΙΑ ΚΑΘΑΡΙΣΜΟ** - για πιο εύκολο καθαρισμό του φούρνου από λιπαρά τρόφιμα, βάλτε μισό λεμόνι σε ένα μπολ, προσθέστε 300τί νερό και βάλτε το φούρνο στην υψηλότερη θερμοκρασία για 10 λεπτά. Σκουπίστε το εσωτερικό με μαλακό, στεγνό πανί.

ΠΡΟΣΟΧΗ

Κίνδυνος από τραυματισμούς

Συντήρηση και επισκευή που συμπεριλαμβάνει και αφαίρεση καλύμματος που προστατεύει από την έκθεση σε ενέργεια μικροκυμάτων είναι επικίνδυνη για οποιονδήποτε εκτός από το εξειδικευμένο πρόσωπο.

ΠΙΑΤΑ

Κοιτάξτε τις οδηγίες σχετικά με "Ασφαλή υλικά για χρήση στο φούρνο μικροκυμάτων ή υλικά που πρέπει να αποφεύγονται". Υπάρχουν συγκεκριμένα μη μεταλλικά πιάτα που δεν είναι ασφαλή για χρήση στο φούρνο μικροκυμάτων. Εάν υπάρχει αμφιβολία, μπορείτε να ελέγξετε το πιάτο όπως αναφέρεται παρακάτω.

Έλεγχος πιάτων:

1. Γεμίστε δοχείο κατάλληλο για χρήση στο φούρνο μικροκυμάτων με ένα κουπάκι κρύο νερό (250πιl).
2. Βράστε στη μέγιστη θερμοκρασία για 1 λεπτό.
3. Προσεκτικά αγγίξτε το δοχείο. Εάν το άδειο δοχείο είναι ζεστό, μην το χρησιμοποιείτε για βράσιμο στο φούρνο μικροκυμάτων.
4. Μην βράσετε το νερό πάνω από 1 λεπτό.

Ασφαλή υλικά για χρήση στο φούρνο μικροκυμάτων

Υλικά

Παρατηρήσεις

Αλουμινόχαρτο	Μόνο κάλυψη. Μπορείτε να χρησιμοποιήσετε μικρά, λεία κομμάτια για κάλυψη λεπτών τεμαχίων χοιρινού ή κοτόπουλου για να αποτρέψετε υπερβολικό ψήσιμο. Εάν το αλουμινόχαρτο είναι πολύ κοντά στις πλευρές φούρνου, μπορεί να βγάζει σπινθήρες. Το αλουμινόχαρτο πρέπει να είναι τουλάχιστον 2.5cm από τις πλευρές
Δοχείο για ψημένα φαγητά	Ακολουθήστε τις οδηγίες του παρασκευαστή. Το εσωτερικό κάτω μέρος του δοχείου πρέπει να είναι τουλάχιστον 5mm πάνω από τον περιστρεφόμενο δίσκο. Ακατάλληλη χρήση μπορεί να προκαλέσει σπάσιμο δίσκου.
Μαχαιροπίρουνα	Αποκλειστικά εκείνα που είναι κατάλληλα για χρήση στο φούρνο μικροκυμάτων. Ακολουθήστε τις οδηγίες του παρασκευαστή. Μη χρησιμοποιείτε ραγισμένα ή σπασμένα πιάτα.
Βαζάκια	Πάντα αφαιρέστε το καπάκι. Χρησιμοποιήστε για ζέσταμα ώστου να ζεσταθεί το φαγητό. Περισσότερα βαζάκια δεν είναι ανθεκτικά στη θερμότητα και μπορούν να
Γυάλινα δοχεία	Χρησιμοποιήστε αποκλειστικά γυάλινα πιάτα πυρέξ. Τα δοχεία δεν πρέπει να έχουν μεταλλικά άκρα. Μη χρησιμοποιείτε ραγισμένα ή σπασμένα πιάτα.
Σακούλες ψησίματος	Ακολουθήστε τις οδηγίες του παρασκευαστή. Μην τις κλείνετε με μέταλλο. Κάντε τρύπες για τον ατμό.
Χάρτινα πιάτα και κουπάκια	Χρησιμοποιήστε αποκλειστικά για σύντομο ψήσιμο/ζέσταμα. Μην τα αφήνετε χωρίς επίβλεψη κατά τη διάρκεια του ψησίματος.
Χαρτοπετσέτες	Χρησιμοποιήστε τες για κάλυψη τροφίμων που ζεσταίνετε και απορρόφηση του λίπους. Χρησιμοποιήστε τες υπό επίβλεψη και αποκλειστικά για σύντομο ψήσιμο.
Χαρτί για γλυκά	Χρησιμοποιήστε για κάλυψη για να αποτρέψετε το πιτσίσισμα ή ως περιβλήμα για μαγείρεμα με ατμό.
Πλαστική	Αποκλειστικά κατάλληλη για χρήση στο φούρνο μικροκυμάτων. Ακολουθήστε τις οδηγίες του παρασκευαστή. Πρέπει να έχει σήμα "Microwave Safe". Κάποια πλατικά δοχεία μαλακώνουν όταν το φαγητό μέσα ζεσταίνεται.

Σακούλες ψησίματος	Πρέπει να τις κόψετε, τρυπώσετε ή ανοίξετε, όπως αναφέρεται στη συσκευασία.
Πλαστική ταινία	Αποκλειστικά κατάλληλη για χρήση στο φούρνο μικροκυμάτων. Χρησιμοποιήστε για κάλυψη τροφίμων κατά το ψήσιμο λόγω συγκράτησης υγρασίας. Η πλαστική ταινία δεν πρέπει να αγγίζει το φαγητό.
Θερμόμετρα	Αποκλειστικά κατάλληλα για χρήση στο φούρνο μικροκυμάτων (για κρέας και γλυκά)
Λαδόκολλα	Χρησιμοποιήστε ως κάλυμμα για να αποτρέψετε πιτσίσισμα και συγκράτηση υγρασίας.

Υλικά που πρέπει να αποφεύγετε στο φούρνο μικροκυμάτων

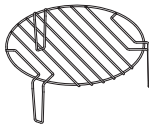
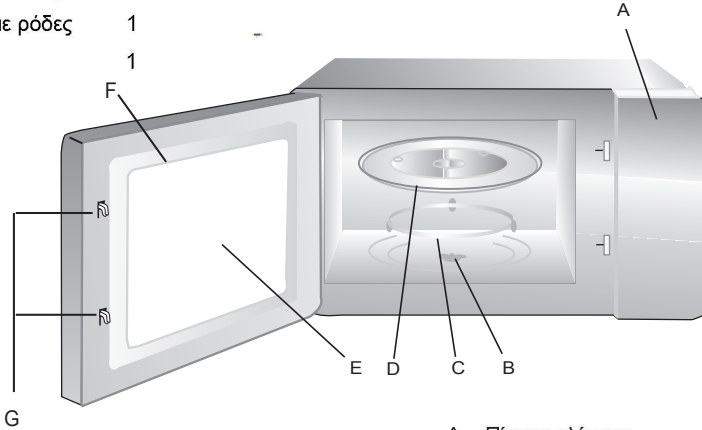
Υλικά	Παρατηρήσεις
Πιάτο αλουμινίου	Μπορεί να προκαλέσει σπινθήρες. Βάλτε τα τρόφιμα στο δοχείο κατάλληλο για φούρνο μικροκυμάτων .
Δοχεία με μεταλλικές λαβές	Μπορεί να προκαλέσει σπινθήρες. Βάλτε τα τρόφιμα στο δοχείο κατάλληλο για φούρνο μικροκυμάτων .
Μεταλλικά δοχεία ή δοχεία με μεταλλικά άκρα	Το μέταλλο προστατεύει τα τρόφιμα από την ενέργεια μικροκυμάτων. Μεταλλικές άκρες μπορεί να προκαλέσουν σπινθήρες.
Μεταλλικά κορδόνια	Μπορεί να προκαλέσουν σπινθήρες και πυρκαγιά μέσα στο φούρνο.
Χάρτινες σακούλες	Μπορεί να προκαλέσουν πυρκαγιά μέσα στο φούρνο.
Αφρώδες πλαστικό	Αφρώδες πλαστικό μπορεί να λιώσει ή μολύνει το εσωτερικό του φούρνου όταν βρίσκεται σε υψηλή θερμοκρασία.
Ξύλο	Το ξύλο θα ξεράνει στο φούρνο μικροκυμάτων και μπορεί να χωρίσει στα δυο ή να σπάσει.

ΤΟΠΟΘΕΤΗΣΗ ΤΟΥ ΦΟΥΡΝΟΥ ΣΑΣ

Τα μέρη του φούρνου και τα εξαρτήματα

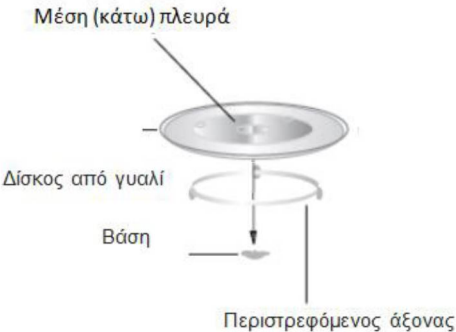
Βγάλτε το φούρνο και όλα τα εξαρτήματα από τη συσκευασία και το εσωτερικό του φούρνου. Ο φούρνος σας συμπεριλαμβάνει και τα εξής εξαρτήματα:

- Γυάλινος δίσκος 1
- Στεφάνι με ρόδες 1
- Οδηγίες 1



- A. Πίνακα ελέγχου
- B. Περιστρεφόμενος άξονας
- C. Στεφάνι με ρόδες
- D. Γυάλινος δίσκος
- E. Παράθυρο ελέγχου
- F. Πόρτα
- G. Σύστημα για ασφαλή κλείσιμο

Σχάρα γκριλ (Χρησιμοποιείται μόνο στη λειτουργία γκριλ και τοποθετείται στο γυάλινο δίσκο)



- a. Ποτέ μην τοποθετείτε το γυάλινο δίσκο ανάποδα. Τιπότε δεν πρέπει να εμποδίζει το γυάλινο δίσκο.
- b. Κατά το ψήσιμο και ο γυάλινος δίσκος και ο περιστρεφόμενος άξονας πρέπει να λειτουργούν.
- c. Κατά το ψήσιμο, όλα τα τρόφιμα και δοχεία πρέπει να τοποθετηθούν επάνω στο γυάλινο δίσκο.
- d. Εάν ο γυάλινος δίσκος ή ο περιστρεφόμενος άξονας ραγίσουν ή σπάσουν, επικοινωνήστε με το πιο κοντινό εξουσιοδοτημένο κέντρο επισκευών.

Τοποθέτηση και εγκατάσταση

1. Αυτή η συσκευή προορίζεται αποκλειστικά για οικιακή χρήση.
2. Ο φούρνος αυτός προορίζεται μόνο για χρήση ως εντοιχισμόμενος. Δεν προορίζεται για χρήση στον πάγκο κουζίνας ή μέσα στο ντουλάπι.
3. Παρακαλούμε κοιτάξτε τις προτεινόμενες οδηγίες εγκατάστασης.
4. Η συσκευή μπορεί να εγκατασταθεί μέσα στο ντουλάπι (πλάτους 60εκ) στερεωμένο στον τοίχο.
5. Η συσκευή πρέπει να εγκατασταθεί μαζί με το καλώδιο και πρέπει αποκλειστικά να συνδεθεί με σωστά γειωμένη πρίζα.
6. Η τάση πρέπει να ταιριάζει στην τάση του φούρνου που αναφέρεται στον πίνακα με τις τεχνικές πληροφορίες.
7. Την πρίζα μπορεί να την εγκαταστήσει και το συνδετικό καλώδιο μπορεί να το αλλάξει μόνο εξειδικευμένος ηλεκτρικός. Εάν το βύσμα δεν είναι προσβάσιμο μετά την εγκατάσταση, πρέπει να υπάρχει μια συσκευή αποσύνδεσης διακοπών στην πλευρά της εγκατάστασης με διάκενο επαφής τουλάχιστον 3 χιλ.
8. Δεν επιτρέπονται αντάπτορες, πολύπριζα και καλώδια επέκτασης. Υπερφόρτωση μπορεί να προκαλέσει πυρκαγιά.

Η προσβάσιμη επιφάνεια μπορεί να ζεσταθεί κατά τη λειτουργία.



Οδηγίες εγκατάστασης

Παρακαλούμε διαβάστε τις οδηγίες προσεκτικά πριν από την εγκατάσταση
Σημείωση

Ηλεκτρική σύνδεση

Η συσκευή πρέπει να εγκατασταθεί μαζί με το καλώδιο και πρέπει αποκλειστικά να συνδεθεί με σωστά γειωμένη πρίζα. Την πρίζα μπορεί να την εγκαταστήσει και το συνδετικό καλώδιο μπορεί να το αλλάξει μόνο εξειδικευμένος ηλεκτρικός και σύμφωνα με τους κατάλληλους κανόνες.

Εάν το βύσμα δεν είναι προσβάσιμο μετά την εγκατάσταση, πρέπει να υπάρχει μια συσκευή αποσύνδεσης διακοπών στην πλευρά της εγκατάστασης με διάκενο επαφής τουλάχιστον 3χιλ.

Το στερεωμένο ντουλάπι δεν μπορεί να έχει την πίσω πλευρά.

Ένα κενό πρέπει να υπάρχει ανάμεσα στον τοίχο και τη βάση της συσκευής.

Προτεινόμενο κενό παρουσιάζεται στις εικόνες.

Ελάχιστο ύψος εγκατάστασης: 85εκ.

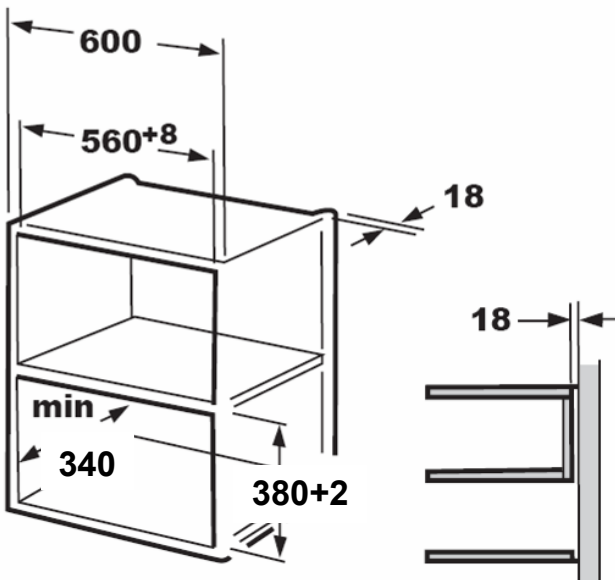
Μην καλύπτετε τις σχισμές εξαερισμού και τις οπές αναρρόφησης.

Σημείωση:

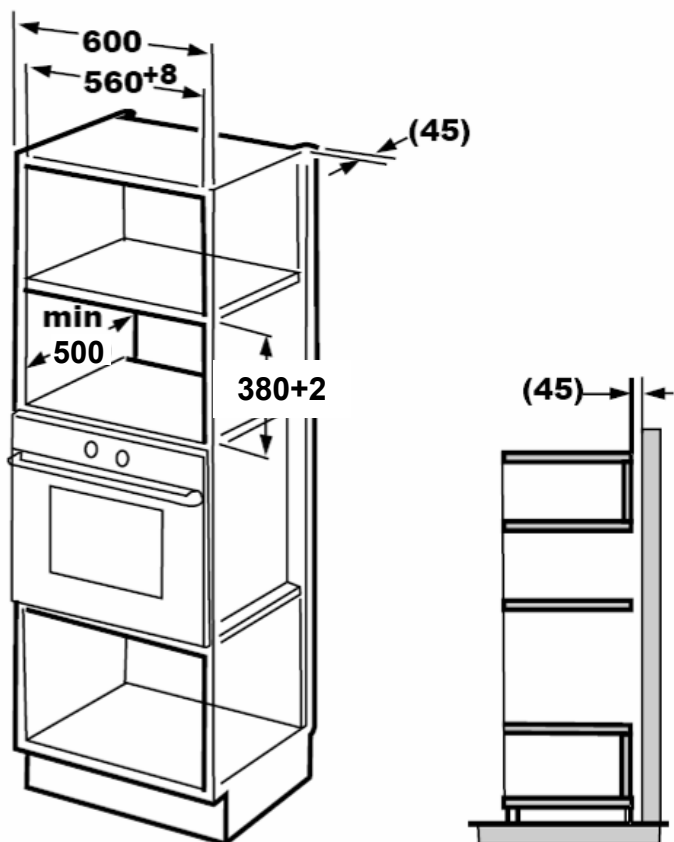
Μη στροβιλίζετε ή διπλώνετε το καλώδιο ρεύματος.

A. Εντοιχισμένα έπιπλα

1.



2.

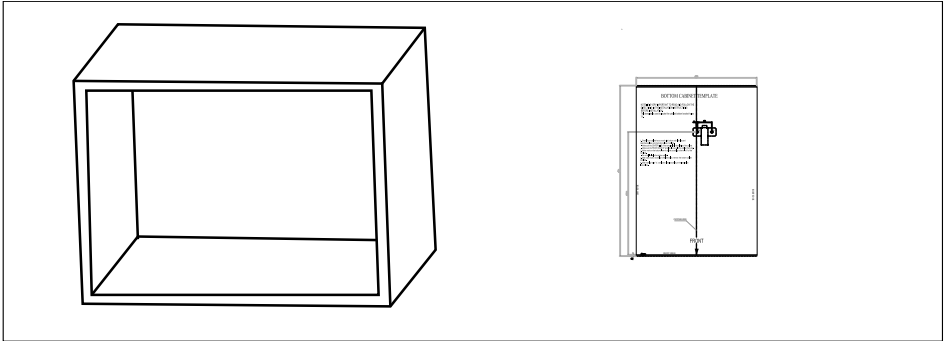


Σημείωση:

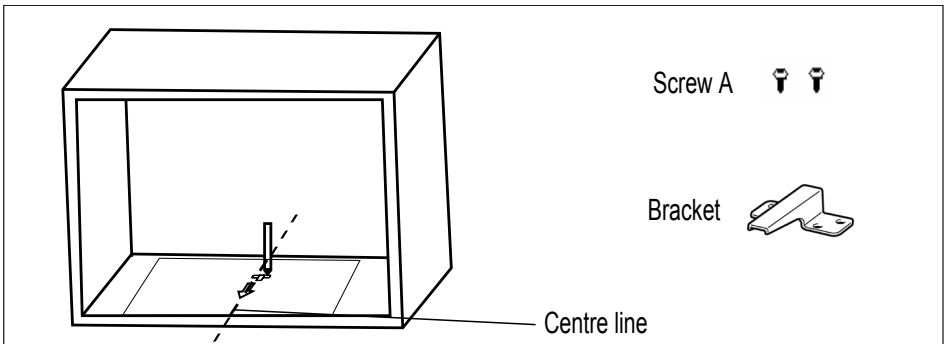
Όταν κάνετε την εγκατάσταση, πρέπει να υπάρχουν τα υποστηρίγματα και το πρότυπο κάτω ντουλαπιού.

Β. Προετοιμασία του ντουλαπιού

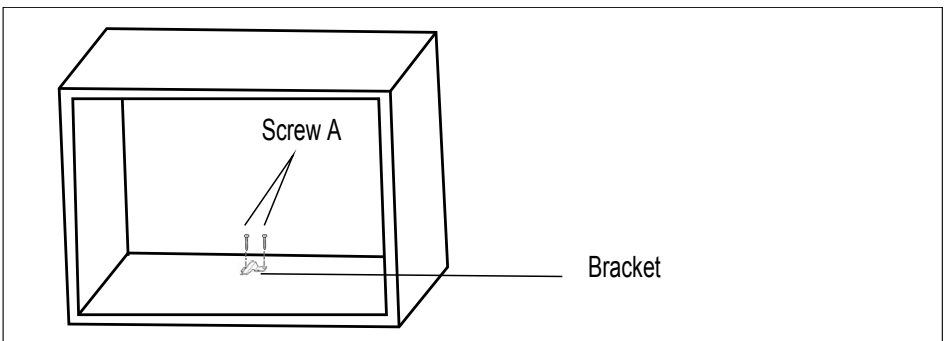
1. Διαβάστε τις οδηγίες για το πρότυπο κάτω ντουλαπιού, τοποθετήστε το πρότυπο στην κάτω πλευρά του ντουλαπιού.



2. Σημαδέψτε την κάτω πλευρά του ντουλαπιού σύμφωνα με τα σήματα στο πρότυπο.



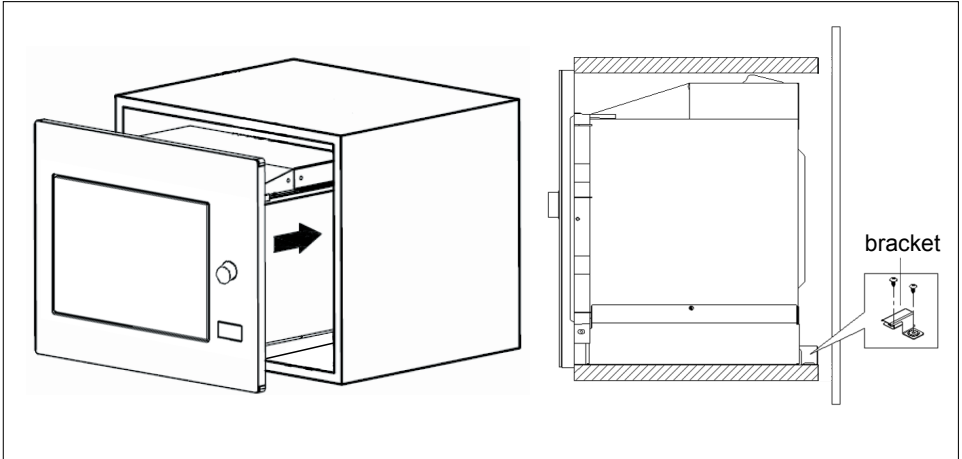
3. Αφαιρέστε το πρότυπο από την κάτω πλευρά του ντουλαπιού και προσηλώστε τα υποστηρίγματα με τη βίδα A.



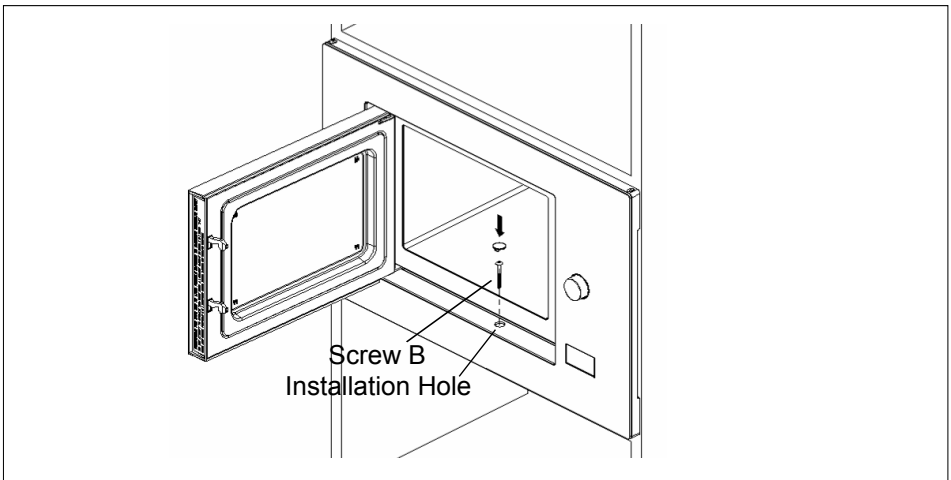
Ο. Εγκατάσταση του φούρνου

4. Τοποθετήστε το φούρνο στο ντουλάπι

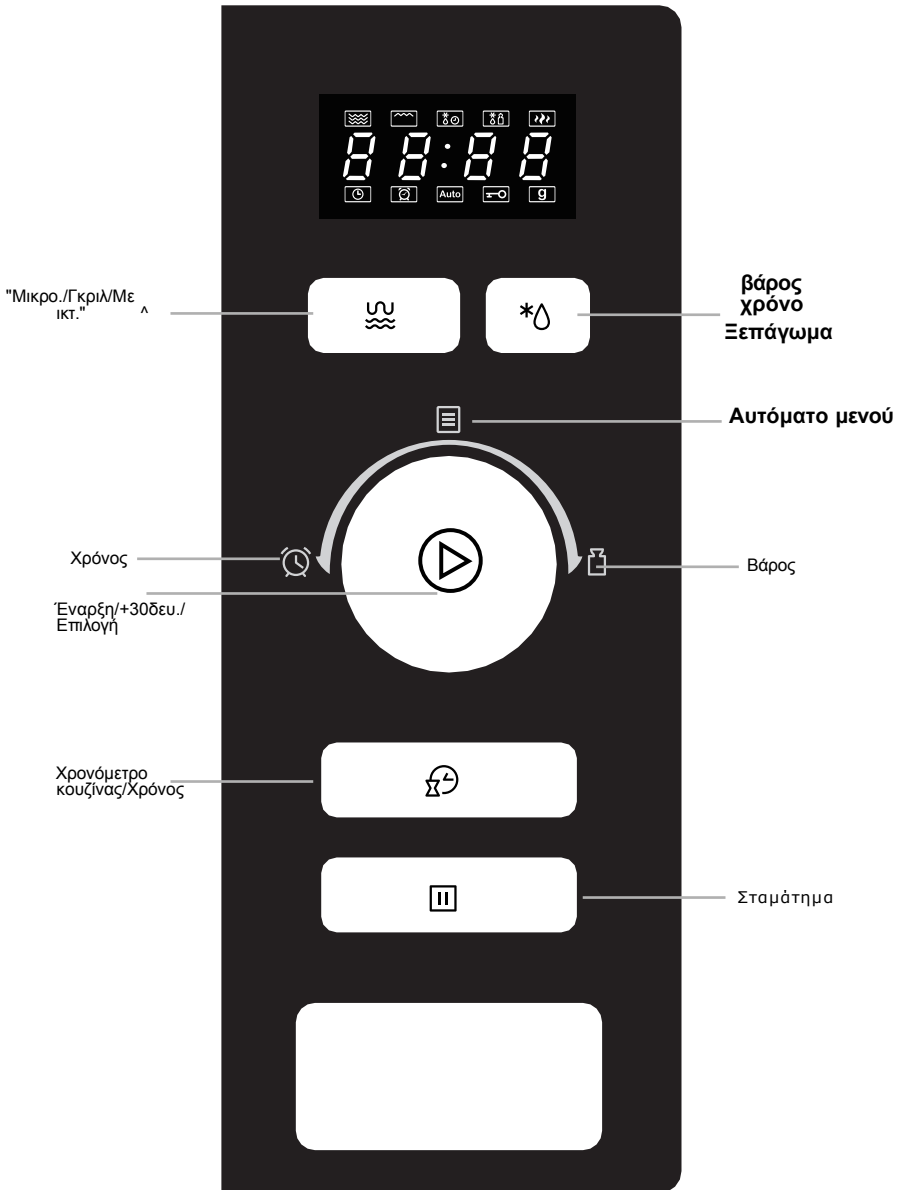
- Επιβεβαιώστε ότι η πίσω πλευρά του φούρνου είναι ασφαλισμένη με τα υποστηρίγματα.
- Μη στροβιλίζετε ή διπλώνετε το καλώδιο ρεύματος.



5. Ανοίξτε την πόρτα, προσηλώστε το φούρνο στο ντουλάπι με τη βίδα Β στο άνοιγμα για την εγκατάσταση. Μετά στερεώστε το πλαστικό κάλυμμα στο άνοιγμα για



Πίνακας ελέγχου




Οδηγίες λειτουργίας

1. Ρύθμιση χρονόμετρου

Όταν συνδέσετε το φούρνο με το ρεύμα, η οθόνη θα δείξει "0:00", θα ακούσετε μια ηχητική προειδοποίηση.

1) Πατήστε το "Χρονόμετρο κουζίνας" δυο φορές για να επιλέξετε τη λειτουργία χρονόμετρου, η ώρα θα αναβοσβήνει.

2) Γυρίστε  τον κύκλο για να ορίσετε την ώρα, που μπορεί να είναι αμέμεσα σε 0--23.

3) Πατήστε το "Χρονόμετρο κουζίνας", τα λεπτά θα αναβοσβήνουν.


4) Γυρίστε  τον κύκλο για να ορίσετε τα λεπτά, που μπορεί να είναι αμέμεσα σε 0--59.

5) Πατήστε το "Χρονόμετρο κουζίνας" για να τελειώσετε με τη ρύθμιση χρόνου. θα αναβοσβήνει και ο χρόνος θα ανάψει.

Σημείωση: 1) Εάν ο χρόνος δεν είναι ρυθμισμένος, ο φούρνος δε θα λειτουργήσει όταν τον ξεκινήσετε.

2) Κατά τη διαδικασία ρύθμισης χρόνου, εάν πατήσετε το "Σταμάτημα", ο φούρνος θα γυρίσει αυτόματα στην προηγούμενη στάση.

2. Μαγείρεμα στο φούρνο


Πατήστε το κουμπί "Μικρο./Γκριλ/Μεικτ.", η οθόνη θα δείξει "P100". Πατήστε το κουμπί "Μικρο./Γκριλ/Μεικτ." τέσσερις φορές ή γυρίστε το  για να επιλέξετε την επιθυμητή δύναμη μικροκυμάτων και το "P100", "P80", "P50", "P30" ή "P10" θα εμφανιστεί κάθε φορά που πατήσετε το κουμπί. Μετά πατήστε το κουμπί "Εναρξη/+30δευ./Επιλογή" για να κάνετε την επιλογή και γυρίστε τον κύκλο για να ρυθμίσετε την ώρα από 00:05 έως 95:00.

Για παράδειγμα: Εάν θέλετε να χρησιμοποιήσετε 80% δύναμης μικροκυμάτων για 20 λεπτά, μπορείτε να ρυθμίσετε το φούρνο με τον εξής τρόπο:

1) Πατήστε το κουμπί "Μικρο./Γκριλ/Μεικτ." μια φορά, η οθόνη θα δείξει "P100".

2) Πατήστε το κουμπί "Μικρο./Γκριλ/Μεικτ." άλλη μια φορά ή γυρίστε τον κύκλο για να επιλέξετε τα 80% δύναμης μικροκυμάτων.

3) Πατήστε το κουμπί "Εναρξη/+30δευ./Επιλογή" για να κάνετε την επιλογή και η οθόνη θα δείξει "P80".

4) Γυρίστε το  για να ρυθμίσετε το χρόνο μαγειρέματος ώσπου ο φούρνος να δείξει "20:00".

5) Πατήστε το κουμπί "Εναρξη/+30δευ./Επιλογή" για να ξεκινήσετε με το μαγείρεμα.

0—1 λεπτό 5 δευτερόλεπτα 10

1—5 λεπτά 30 δευτερόλεπτα

5—10 λεπτά 1 δευτερόλεπτο



10—30 λεπτά 5 λεπτά



30—95 λεπτά λεπτά

Σημείωση: οι ποσότητες για τη ρύθμιση χρόνου είναι οι εξής::

"Μικρο./Γκριλ/Μεικτ." Επιλογή	Ένδειξη στην οθόνη	Δύναμη μικροκυμάτων	Δύναμη γκριλ
1	P 100	100%	
2	P 80	80%	
3	P 50	50%	
4	P 30	30%	
5	P 10	10%	
6	G	0%	100%
7	C-1	55%	45%
8	C-2	36%	64%

3. Γκριλ και μεικτό μαγείρεμα


Πατήστε το κουμπί "Μικρο./Γκριλ/Μεικτ.", η οθόνη θα δείξει "P100", μετά πατήστε το κουμπί "Μικρο./Γκριλ/Μεικτ." τέσσερις φορές ή γυρίστε το  για να επιλέξετε την επιθυμητή δύναμη και η οθόνη θα δείξει "G", "C-1" ή "C-2". Μετά πατήστε το κουμπί "Εναρξη/+30δευ./Επιλογή" για να κάνετε την επιλογή και γυρίστε το  για να ρυθμίσετε το χρόνο μαγειρέματος από 00:05 έως 95:00. Ξαναπατήστε το κουμπί "Εναρξη/+30δευ./Επιλογή" για να ξεκινήσετε με το μαγείρεμα. Για παράδειγμα: Εάν θέλετε να χρησιμοποιήσετε 55% δύναμης μικροκυμάτων και 45% δύναμης γκριλ (C-1) για 10 λεπτά, μπορείτε να ρυθμίσετε το φούρνο με τον εξής τρόπο:

- 1) Πατήστε το κουμπί "Μικρο./Γκριλ/Μεικτ." μια φορά, η οθόνη θα δείξει "P100".
- 2) Πατήστε το κουμπί "Μικρο./Γκριλ/Μεικτ." τέσσερις φορές ή γυρίστε το  για να επιλέξετε μεικτή λειτουργία 1.
- 3) Πατήστε το κουμπί "Εναρξη/+30δευ./Επιλογή" για να κάνετε την επιλογή και η οθόνη θα δείξει "C-1".
- 4) Γυρίστε το  για να ρυθμίσετε το χρόνο μαγειρέματος ώσπου ο φούρνος να δείξει "10:00".
- 5) Πατήστε το κουμπί "Εναρξη/+30δευ./Επιλογή" για να ξεκινήσετε με το μαγείρεμα.


Σημείωση: Εάν περάσει ο μισός χρόνος γκριλ, ο φούρνος θα κάνει δυο ηχητικές προειδοποιήσεις και αυτό είναι κανονικό. Όστε να έχετε καλύτερα αποτελέσματα από το γκριλ, πρέπει να αναποδογυρίσετε την τροφή, να κλείσετε την πόρτα και να πατήστε το κουμπί "Εναρξη/+30δευ./Επιλογή" για να συνεχίσετε με το μαγείρεμα.

Εάν δεν αλλάξετε τίποτα, ο φούρνος θα συνεχίσει τη λειτουργία του.


4. Σύντομη έναρξη

- 1) Στην κατάσταση αναμονής πατήστε το κουμπί "Έναρξη/+30δευ./Επιλογή" για να ξεκινήσετε το μαγείρεμα με 100% δύναμης και κάθε φορά που το ξαναπατήσετε θα αυξήσετε το χρόνο μαγειρέματος για 30 δευτερόλεπτα έως τα 95 λεπτά.
- 2) Στην κατάσταση "Μικρο./Γκριλ/Μεικτ." ή "Χρόνος/Ξεπάγωμα", κάθε φορά που πατήσετε το κουμπί "Έναρξη/+30δευ./Επιλογή" θα αυξήσετε το χρόνο μαγειρέματος για 30 δευτερόλεπτα.
- 3) Στην κατάσταση αναμονής γυρίστε το  αριστερά για να ρυθμίσετε το χρόνο μαγειρέματος με 100% δύναμης μικροκυμάτων, μετά πατήστε το κουμπί "Έναρξη/+30δευ./Επιλογή" για να ξεκινήσετε με το μαγείρεμα.


5. Ξεπάγωμα ανά βάρος

- 1) Πατήστε το κουμπί "Βάρος/Χρόνος ξεπαγώματος" μια φορά και η οθόνη θα δείξει "άΕΡ1".
- 2) Γυρίστε το  για να επιλέξετε το βάρος της τροφής από 100 έως 2000γρ.
- 3) Πατήστε το κουμπί "Έναρξη/+30δευ./Επιλογή" για να ξεκινήσετε το ξεπάγωμα.





6. Ξεπάγωμα ανά χρόνο

- 1) Πατήστε το κουμπί "Βάρος/Χρόνος ξεπαγώματος" δυο φορές και η οθόνη θα δείξει "άΕΡ2".
- 2) Γυρίστε  τον κύκλο για να επιλέξετε το χρόνο ξεπαγώματος. Ο μέγιστος χρόνος είναι 95 λεπτά.
- 3) Πατήστε το κουμπί "Έναρξη/+30δευ./Επιλογή" για να ξεκινήσετε το ξεπάγωμα. Η δύναμη ξεπαγώματος είναι Ρ30 και δεν αλλάζει.

7. Το χρονόμετρο κουζίνας

- 1) Πατήστε το κουμπί "Χρονόμετρο κουζίνας/Χρόνος" μια φορά και η οθόνη θα δείξει 00:00.
- 2) Γυρίστε το  για να ρυθμίσετε το σωστό χρόνο. (Ο μέγιστος χρόνος μαγειρέματος είναι 95 λεπτά.)
- 3) Πατήστε το κουμπί "Έναρξη/+30δευ./Επιλογή" για να επιβεβαιώσετε τη ρύθμιση.
- 4) Όταν ο χρόνος μαγειρέματος λήξει, η ένδειξη χρόνου θα χτυπήσει. Το κουδούνι θα χτυπήσει 5 φορές. Εάν έχετε ρυθμίσει το χρόνο (24ωρο σύστημα), η οθόνη θα δείξει την ώρα.
Σημείωση: Το χρονόμετρο κουζίνας διαφέρει από το 24ωρο σύστημα, πρόκειται για ένα κανονικό χρονόμετρο.

8. Αυτόματο μενού

- 1) Γυρίστε  τον κύκλο δεξιά για να επιλέξετε το Μενού και η οθόνη θα δείξει το "Α-1" έως "Α-8".
 - 2) Πατήστε το κουμπί "Έναρξη/+30δευ./Επιλογή" για να επιβεβαιώσετε τη ρύθμιση.
 - 3) Γυρίστε  τον κύκλο για να επιλέξετε το προκαθορισμένο βάρος σύμφωνα με τον πίνακα παρακάτω.
 - 4) Πατήστε το κουμπί "Έναρξη/+30δευ./Επιλογή" για να ξεκινήσετε με το μαγείρεμα.
- Για παράδειγμα: Εάν θέλετε να χρησιμοποιήσετε το "Αυτόματο μενού" για να ψήσετε 350γρ. ψάρι:
- 1) Γυρίστε  τον κύκλο δεξιά για να επιλέξετε το "Α-6".
 - 2) Πατήστε το κουμπί "Έναρξη/+30δευ./Επιλογή" για να επιβεβαιώσετε τη ρύθμιση.
 - 3) Γυρίστε  τον κύκλο για να επιλέξετε το βάρος ψαριού όπως η οθόνη να δείξει 350.
 - 4) Πατήστε το κουμπί "Έναρξη/+30δευ./Επιλογή" για να ξεκινήσετε με το μαγείρεμα.




Ο πίνακας για το μενού:

Μενού	Βάρος	Οθόνη
A-1	200 g	200
Πίτσα	400 g	400
A-2	250 g	250
Κρέας	350 g	350
	450 g	450
A-3	200 g	200
Λαχανικά	300 g	300
	400 g	400
A-4	50g(ι^ 450 ml κρύο νερό)	50
Πάστα	100g(ι^ 800 ml κρύο νερό)	100
A-5	200 g	200
	400 g	400
Πατάτες	600 g	600
A-6	250 g	250
Ψάρι	350 g	350
	450 g	450
A-7	1 κούπα (120 ml)	1
Ποτά	2 κούπες (240 ml)	2
	3 κούπες (360ml)	3
A-8	50 g	50
Ποπ κορν	100 g	100

9. Μεικτό μαγείρεμα

Μπορείτε να ρυθμίσετε δυο επιλογές το πολύ για μεικτό μαγείρεμα. Σε αυτή την περίπτωση, εάν μια επιλογή είναι το ξεπάγωμα, τότε το ξεπάγωμα θα έρθει πάντα πρώτο αυτόματα.


Για παράδειγμα: Εάν θέλετε να κάνετε ξεπάγωμα τροφής για 5 λεπτά και μετά να την ψήσετε με 80% δύναμης μικροκυμάτων για 7 λεπτά, κάντε το εξής:

- 1) Πατήστε το κουμπί "Βάρος/Χρόνος ξεπαγώματος" δυο φορές και η οθόνη θα δείξει "dEF2".
- 2) Γυρίστε το  για να επιλέξετε το χρόνο ξεπαγώματος 05:00 στην οθόνη.
- 3) Πατήστε το κουμπί "Μικρο./Γκριλ/Μεικτ.", η οθόνη θα δείξει "P100".
- 4) Πατήστε το κουμπί "Μικρο./Γκριλ/Μεικτ." άλλη μια φορά για να επιλέξετε  τα 80% δύναμης μικροκυμάτων.
- 5) Πατήστε το κουμπί "Εναρξη/+30δευ./Επιλογή" για να κάνετε την επιλογή και η οθόνη θα δείξει "P80".
- 6) Γυρίστε το  για να ρυθμίσετε το χρόνο μαγειρέματος ώσπου ο φούρνος να δείξει "07:00".
- 7) Πατήστε το κουμπί "Εναρξη/+30δευ./Επιλογή" για να ξεκινήσετε με το μαγείρεμα, το κουδούνι θα χτυπήσει μια φορά για την πρώτη επιλογή, ο χρόνος ξεπαγώματος μετράει αντίστροφα. Το κουδούνι θα χτυπήσει άλλη μια φορά περνώντας στη δεύτερη επιλογή. Όταν το μαγείρεμα τελειώσει, το κουδούνι θα χτυπήσει πέντε φορές.

10. Λειτουργία ελέγχου κατάστασης

- (1) Στην κατάσταση μικροκυμάτων γκριλ και στο μεικτό μαγείρεμα, πατήστε το κουμπί "Μικρο./Γκριλ/Μεικτ.", η τρέχουσα κατάσταση δύναμης και γκριλ θα εμφανιστεί στην οθόνη για 3 δευτερόλεπτα. Μετά από αυτό, η οθόνη θα γυρίσει στην προηγούμενη στάση.
- (2) Στην κατάσταση μαγειρέματος, πατήστε το κουμπί "Χρονόμετρο κουζίνας/Χρόνος" για να μάθετε το χρόνο που θα εμφανιστεί στην οθόνη για 3 δευτερόλεπτα.

11. Λειτουργία ασφάλειας για τα παιδιά

Κλειδωμα: Στην κατάσταση αναμονής πατήστε το κουμπί "Σταμάτημα" για 3 δευτερόλεπτα, θα ακούσετε ένα μεγαλύτερο μπιπ που δείχνει ότι μπαίνετε στην κατάσταση κλειδώματος και ο χρόνος θα εμφανιστεί στην οθόνη εάν τον έχετε ήδη προσδιορίσει. Αλλιώς, η οθόνη θα δείξει "  " και φωτάκια ένδειξης κλειδώματος.

Ξεκλειδωμα: Στην κατάσταση κλειδώματος πατήστε το κουμπί "Σταμάτημα" για 3 δευτερόλεπτα, θα ακούσετε ένα μεγαλύτερο μπιπ που δείχνει ότι μπαίνετε στην κατάσταση ξκλειδώματος.

Αντιμετώπιση προβλημάτων

2.

Πρόβλημα	Πιθανή αιτία	Λύση
Ο φούρνος δεν ανάβει	(1) Το καλώδιο ρεύματος δεν είναι σωστά συνδεδεμένο	Αποσυνδέστε το καλώδιο και ξανασυνδέστε το μετά από 10 δευτερόλεπτα
	(2) Ανώμαλη ηλεκτρική ασφάλεια	Αλλάξτε την ηλεκτρική ασφάλεια
	(3) Πρόβλημα με την πρίζα	Ελέγξτε την πρίζα με άλλη ηλεκτρική συσκευή
Ο φούρνος δε ζεσταίνει	(4) Η πόρτα δεν είναι καλά κλεισμένη	Κλείστε την πόρτα καλά
Ο γυάλινος δίσκος κάνει φασαρία κατά τη λειτουργία του φούρνου μικροκυμάτων	(5) Λερωμένοι περιστρεφόμενοι άξονας και πάτωμα του φούρνου	Σχετικά με τον καθαρισμό βλέπετε τον παράγραφο "Καθαρισμός φούρνου μικροκυμάτων"

Τα κανονικά

Ο φούρνος επηρεάζει το σήμα της τηλεόρασης	Κατά τη λειτουργία του, ο φούρνος μπορεί να επηρεάσει το ραδιόφωνο και την τηλεόραση. Αυτό είναι παρόμοιο με τις παρεμβολές μικρών οικιακών συσκευών, όπως είναι το μίξερ, ηλεκτρική σκούπα και πιστολάκι. Αυτό είναι κανονικό.
Σκούρο φως στο φούρνο	Κατά τη διάρκεια του μαγειρέματος με χαμηλή ισχύ μικροκυμάτων, το φως στο φούρνο μπορεί να γίνει σκούρο. Αυτό είναι κανονικό.
Στην πόρτα συμπυκνώνεται η υγρασία, από το άνοιγμα βγαίνει ζεστός αέρας.	Κατά το μαγείρεμα, από το φαγητό μπορεί να βγαίνει ο ατμός. Ο περισσότερος ατμός θα βγει από τους αεραγωγούς, αλλά το υπόλοιπο μπορεί να συμπυκνωθεί στα πιο κρύα μέρη όπως είναι η πόρτα. Αυτό είναι κανονικό.
Ανάψατε το φούρνο χωρίς φαγητό κατά λάθος	Απαγορεύεται να ανάβετε το άδειο φούρνο. Αυτό είναι πολύ επικίνδυνο. Σβήστε τον αμέσως.



Σύμφωνα με τη διάταξη για τη διάθεση ηλεκτρικών και ηλεκτρονικών συσκευών, τέτοιου είδους εξοπλισμός πρέπει να μαζεύεται και να ανακυκλώνεται ξεχωριστά. Σε περίπτωση που πρέπει να πετάξετε τη συσκευή, παρακαλούμε ΜΗΝ την πετάξετε με άλλα οικιακά απόβλητα, αλλά στην προκαθορισμένη θέση για αυτό.



MKD

IMWH- GD202IX

УПАТСТВА ЗА РАКУВАЊЕ **МИКРОБРАНОВА ПЕЧКА**

Внимателно прочитајте го упатството пред користење на Вашата микробранова печка, и внимателно чувајте го. Ако го следите ова упатството, вашата микробранова печка ќе ве служи добро многу години.

Внимателно чувајте го ова упатство

МЕРКИ ЗА ПРЕТПАЗЛИВОСТ ЗА ИЗБЕГНУВАЊЕ НА МОЖНО ПРЕКУМЕРАНО ИСПУШТАЊЕ НА МИКРОБРАНОВИ ЗРАЦИ

(а) Не се обидувајте да ја користите оваа микробранова печка со отворена вратничка бидејќи тоа може да резултира со испуштање на штетни микробранови зраци. Важно е да не ги кршите или ротирате безбедносните спојки.

(б) Не поставувајте никакви предмети помеѓу предната страна на рерната и вратничката, не дозволувајте насобирање на нечистотија или средства за чистење на површината за затворање.

(в) Предупредување: Доколку вратничката или дихтонзите на вратничката се оштетени, микробрановата печка не смее да се користи додека не бидат сменети од стручно лице.

ДОДАТОК

Доколку уредот не се одржува чист, тоа може да влијае на неговата површина работниот век, па да доведе до опасни ситуации.

Спецификации

Модел	IMWH-GD202IX
Напон за работа:	230V~ 50Hz
Номинална влезна моќност(микробранови)	1250 W
Номинална излезна моќност(микробранови)	800 W
Номинална влезна моќност(грил)	1000 W
Капацитет на рерната:	20 L
Дијаметар на ротационата чинија	Ø245 mm
Надворешни димензии	595x343.5x388mm
Нето тежина	Approx 15 kg

ΒαχΗΜ ΜΗφορΜα^ΜΜ 3α 6ε36eflHOCT

nPEflynPEflyBAfcE

3α ΗαΜаныВа^е Ηα ρυ3υκοτ ογ ποχαρ, υγαρ ογ СТpyja, φυ3υτкy ποBpeγy утy πpeKyMepHo ιcnywTa^e Ηα ΜυκpoδpaHOBa eHepγyja πpy yπoтpeδa Ηα BawuoT ypeγ Be MOπyMe ga ce πpyγpxyBaTe κοH ocHOBNute Mepкy 3a πpeπta3πyBOct, BKnyHyBajRu ro u cneyHoBo.

1. πpeγyπpeγyBa^e: He 3aπpeBajTe TeHHocTy u γpyr Bug xpaHa bo 3aTBopeHy cayoBy δygejкy ce noγnoxHy Ha eKcнno3yja.

2. πpeγyπpeγyBa^e: OTCTpaHyBa^e Ηα KanaKoT yTO WTUTU ογ ΜυκpoδpaHOBute 3paqu e oπacHo 3a ceKopo ocBeH 3a cTpyHHo nyqe.

3. OBaj ypeγ MoxaT ga ro κοpycтaт geqa Hag 8 roγyHy cTapocT, KaKo u nyqa co HaManeHy φy3yткy, ayγyTyBHy u MeHTaпHy cπocooHOCTy uny co HeγocTaToK Ha ιcкyCTBo u 3Hae^e,aKo ce nog Hag3op uny noceγyBaaT uHCTpyKqu 3a yπoтpeδa Ha aπapaToT Ha δe3δeγeH HanyH uny aKo ce 3aπo3HaTy co oπacHocTyTe ογ paKyBa^em MucTe^e u oγpxyBa^e He δy тpeδaπo ga oδaByBaaт geqa κοy He ce πocTapy ογ 8 roγyHy u nog Hag3op.

4. He ro γpxeTe aπapaToT u HeroByoT kaδen Ha γoφaт ογ geqa πoMnayu ογ 8 roγyHy.

5. ΚοpycTeTe caMo cayoBy πpyKнayHy 3a yπoтpeδa bo ΜυκpoδpaHOBa πeHKa.

6. ΠepHaTa Mopa peγoBHo ga ce nyCTy u ga ce oγcTpaHyBaaT Tano3yTe ογ xpaHa

7. πponyTajTe u πpyγpxyBajTe ce κοH "MERM 3A nRETnA3fIMBOCT 3A M3BEpHYBAfcE HA MOWHO nREKYMETHO MCnYWTAfcE HA MMKPOBPAHOBM 3 R A ^ . "

8. Bo cyTyaquja Ha ppee^e Ηα xpaHa bo πnacTy^Hy uny KHUXHy HUHUU BHyMaBajTe Ha πepHaTaTa noγay oπacHocT ογ ποχαρ.

9. Bo cnyaj Ha nojaBa Ηα nnaMeH, ιcKnyneTe ja πepHaTa uny ιcKnyneTe ja ογ cTpyja, u γpxeTe ja BpaTHyHKaTa 3aTBopeHa 3a ga ce 3aywy noχαpoT.

10. He nπepeBajTe ja xpaHaTa.

11. He KopycTeTe **ja** BHaTpeWHocTa Ha ne^KaTa 3a cKnaгupa^e. He гpxeTe npegMeTu KaKo **WTO** ce ^ δ, Konanu, **UTH BO** BHaTpeWHocTa Ha ne^KaTa.
12. OTCTpaHeTe ru KoHquTe u MeTanHu pa^Ku og xapTueHuTe unu nnacTy^Hu **HUUU** / Kecu npeg ga ru cTaByTe **BO** пepHaTa.
13. MHcTanupajTe **ja** unu nocTaBeTe **ja** oBaa пepHa ucKnyHyBo **BO** cKnaг co пpunoxeHuTe yнаTcTBa 3a uHCTanaquja.
14. Jajqa **BO** nywna u TBpго BapeHu **jajqa** He тpeђa ga ce 3apеBaaT **BO** MикpoђpaHOBa ne^Ka, дугеjku Moxe ga eKcпnogupaaT, гyпу u no 3aBpwyBa^e Ha 3apеBa^eTo **BO** ne^KaTa.
15. OBoj anapaT e HaMeHeT 3a yпoтpeђa **BO** goMaKuHcTBa u cny^Hu oђjekTy KaKo **WTO** ce:
 -KyjHa, KaHqenapyja u cny^Hu paђoTHy пpocTopuy- **BO** xoTenu, MoTenu u cnyHHy pe3yгeHquu
 - cencKy KyKu,
 - пpeHoKuwTa.
16. floKonKy ce owTeTu cTpyjHuoT kaђen, тpeђa ga ro 3aMeHu пpou3BoryTenoT, oBnacTeH cepBuc unu cny^Hu KBaHyфukyBaHu nyqa 3a ga ru u3ђeMeTe MoxHuTe onacHocTy.
17. He ru nyBajTe u He ru KopycTeTe oBue ypegу Ha oTBopeHo.
18. He **ja** KopycTyTe oBaa ne^Ka **BO** дny3УHa Ha Boga, BнаxeH nogpyM unu **BO** дny3УHa Ha да3eH.
19. 3a BpeMe Ha paђoтeтoero, TeMпepaTypaTa Ha пpucTanHuTe genoBy Moxe ga дуге Bycoka.
20. He go3BonyBajTe cTpyjHuoT kaђen ga Bycu пpeKy paђoт Ha Maca unu paђoTHy noBpwyHu.
21. HeогpxyBa^eTo Ha ne^KaTa нycTa, Moxe ga goBege go пponapa^e Ha Hej3yHuTe noBpwyHu, **WTO** наK Moxe ga ro cKpaTu BeKoT Ha Tpaе^e Ha ypegoT u ga pe3yMupa co onacHu cyTyaquu.
22. 3a ga ce u3ђeMAT u3popeHyqu, cogpxyHaTa Ha geTcKyTe wuw^a u TernuTe co geTcKa xpaha тpeђa ga ce пpoMewaaT unu пpoTpecaT npeg xpaHe^e, пpyToa u ga **UM** ce пpoBepу TeMпepaTypaTa.
23. Tpee^eTo Ha HanuToquTe **BO** MикpoђpaHOBata ne^Ka Moxe ga pe3yMupa co 3aKacHeTo epнTyBHo Bpue^e, 3aToa тpeђa ga ce BHуMaBa co paKyBa^eTo co cагоByTe **BO KOU** ce Haopa Te^HocTa.

24. урегоТ Не е НаМеНеТ За употреба ог нуqa(ВКнуHyBajKu и геqa) со НаМанеНу фу3УНКу, аyгуТуВНУ и МеНТанНУ спосоdНОСТу уну со НегосТур На укКустВо и 3Нае^е, осВеН аКо Не се ног Наг3ор уну се унаТеНУ **ВО** работетоето На урегоТ ог сТраНа На нуqa огроВорНУ За НУВНАТа де3дегНОст.
25. fleqaTa ду треdано га се НагмегуВааТ За га се оcyрyаТе геКа Не су иррааТ со урегоТ.
26. МикроdраНОВата не^Ка Не сМее га се ВрpageBa **ВО** KyjHcKuTe енеМеНТу осВеН аКо дита ТестУраНа За ВрpageHu енеМеНТу.
27. урегоТ Не е НаМеНеТ За унраВуВа^е по наТ На екТерНУ ТајМеру уну gpyru сусТеМу За ganenuHcKo унраВуВа^е.
28. 3аgHaTa поВрмуНа На урегоТ треdа га се nocTaBu прег sug.
29. flenoBu На анаpaToT Мохат га се 3арпеаТ За ВреМе На КорусТе^ето, 3аТоа геqaТа треdа га се грхаТ noganeKy ог анаpaToT За га Не се у3рораТ.
30. Не сМее га се **НУСТУ** со МawuHu ног napea.
31. За ВреМе На употребата анаpaToT се 3арпеBa. Треdа га се Bogu сMeTKa га се у3демаТ gonupa^aTa На рrejHuTe енеМеНТу На не^KaTa.
32. КорусТеТе ја саМо соHгаТа За ТеМнераТуpa Koja се npenopanyBa За oBaa неHKa(3а не^Ku CHaдgeHu со uHCTanaquja За КорусТеТе На соHгу 3а поВерKa На ТеМнераТуpa).
33. **nPEflynPEflyBAfoE**: АнаpaToT у HeroБуТе гocTanHu genoBu се 3арпеВааТ **ВО** ТеКоТ На употребата. Бу треdано ВHuMaTenHo га се у3деме gonup со рrejHuTe енеМеНТу. fleqa noManu ог 8 roгуHu, аКо се ног Наг3ор,треdа га се грхаТ noganeKy ог анаpaToT.
34. нпу работefcето, геКораТуВНАТа ВpaTa Мора га осТаНе отВоpeHa (3а неHКу со геКораТуВНУ ВpaТу).

**нPOMMTAJTE BHMATEЛHO M COHyBAJTE 3A
ноHATAMOWHA yHOTPEBA**

3 a HaMajiyBait>e Ha ptramtOT oA <J)M3MHKM noBpefIM
npi/i y3eMjyBaibe.

OnACHOCT

OnachOT o,q CTpyeH yqap.

fionnpafbeTO Ha HeKOM MHTepHM KOMnoHeHTM MO>Ke ,qa npe,qM3BMKa cepno3Hn
nMHM noBpefIM kinu CMpT.

He pacKnonyBajTe ro OBOJ anapaT.

Π P E fly Π P E fly B A ^ b E

OnachOCT o,q CTpyeH yqap.

HeKicnpaBHOTO y3eMjyBafte MO>Ke ,qa floBe,qe ,qo CTpyeH yqap. He BKnyHyBajTe
ro ype,qoT bo LUTeKep 3a CTpyja flo,qeKa McnpaBHO He ro MHCTampaTe u
y3eMjme.

OBOJ ype,q Mopa ,qa 6n,qe y3eMjeH. Bo cnyhaj Ha KpaTOK CTpyeH onoj
y3eMjyBafbeTO ja HaManyBa onachOCTa o,q CTpyeH yqap co M3ne3HM >ML(M 3a
eoeKTPMHHa CTpyja.

OBOJ ype,q e onpeMeH co y3eMjeH CTpyeH Ka6en u npiKoy>HOK co KOHTaKT 3a
y3eMjyBafbe. npMKnyHOKOT Tpe6a ,qa ce BKnyHM bo McnpaBHO MHCTampaH u
y3eMjeH LUTeKep. KoHcyriTMrajTe ce co KBanncf)McyBaH eneKTPMoap MOM
cepBMcep ,qoKOOKy peoocHO He TM pa30MpaTe ynaTCTBaTa 3a y3eMjyBafte MOM
qoKOOKy He CTe CMypHM flarm ype,qoT e McnpaBHO y3eMjeH.

flOKOOKy MopaTe ,qa KopMCTMTe npo,qon>KeH Ka6eo, KopMCTeTe caMO npo,qon>KeH
Ka6eo co TPM npMKoyHOKa.

1. CTpyjHMOT Ka6eo e KpaTOK 3a ,qa ce HaMaoaT pM3ML(MTe o,q cnoeTKyBafbe no
,qon>KMHaTa Ha CTpyjHMOT Ka6en.

2. flOKOOKy ce KopMCTM no,qonr CTpyeH Ka6en MOM npo,qon>KeH Ka6en:

- 1) HoMMHanHaTa MOK Ha CTpyjHMOT Ka6en MOM npon>KHBMOT Ka6en Mopa ,qa
OM,qe eflHaKOB MOM noroneM o,q HOMMHanHaTa MOK Ha ype,qoT.
- 2) npo,qon>KHBMOT Ka6en Mopa ,qa OM,qe o,q y3eMjeH TMH.
- 3) no,qonrMOT CTpyeH Ka6en Tpe6a ,qa ce HaMecTM TaKa LOTO HeMa ,qa BMCM npeKy
pa6oT Ha paSoTHMTe noBpiJMHM MOM Maco Ka,qe 6M MOKeno flepaia ,qa ro
noBnenaT MOM cnyhajHO ,qa ce conHaT.

HMCTEfcE

3agonxuTenHo ucKnyHeTe ja neHKaTa og crpyjHuoT uTeKep.

1. nocne ynoTpe6aTa, BHaTpeyHocTa Ha neHKaTa ucHucTeTe ja nechO co BnaxHa Kpna.
2. flogaToquTe ucHucTeTe ru Ha Boo6yHaeH HaHUH BO Boga co canyH.
3. Kora ce BanKaHy, paMKaTa Ha BpaTaTa, OTBOPOT u cocegHUTE genoBu Tpe6a BHUMaTenHo ga ce ucHucTaT co BnaxHa Kpna.
4. He KopucTeTe jaKu a6pa3UBHu cpeTCTBa 3a HucTe^e unu ocTpy MeTanHy cTpyoTyHu 3a HucTe^e Ha cTaKnoTo og BpaTaTa Ha neHKaTa, 6ugejRu Moxe ga ce u3pene noBpuuHaTa, yTO Moxe ga pe3yHTy ca Kpwe^e Ha cTaKnoTo.

COBET 3A MMCTEfoE - 3a nechO HucTe^e Ha BHaTpeyHocTa Ha neHKaTa og MpcHa xpaHa, cTaByTe nona nuMoH BO HUHuja, gogageTe 300Mn Boga. M36puueTe ja neHKaTa co MeKa, cyBa Kpna.

nPEflnA3nMBOCT

OnachOCT og noBpega

CepBMcMpafceTo unu nonpaBafceTo Ha neHKaTa BKyHyBajKu ro u TpaфceTo Ha KanaKoT Koj yTMTM og MMKpoCпаHoBa eHepruja.e onachO 3a ceKopo ocBeH 3a cTpyHHo nuge.

CAfIOBM

nonnegHeTe ro ynaTcTBoTo 3a “MaTepujani/i kom MowaT ga ce KopucTaT BO Mi/iKpo6paHoBaTa neHKa i/iini kom 6M Tpe6ano ga ce M36emyBaaT”. nocpojaT ogpegeHM HeMeTanHM cagoBM kom He ce 6e36egHi/i 3a ynoTpe6a BO MUKpo6paHoBaTa neHKa. floKonKy nocrou colMHew, T/e cagoBM MoweTe ga ru TecT/paTe Ha nogony onywaHuoT HaHMH.

TecT 3a cagoBM:

1. HanonHeTe ro cagoT Kij ro TecT/paTe 3a ynoTpe6a BO MUKpo6paHoBa neHKa co 1 monja nagHa Boga(250Mn).
2. 3oBpeTe ja Ha MaKc/ManHa mok egHa MMHyTa
3. BH/MaTenHo gonpeTe ro cagoT. floKonKy npa3HuoT cag e Tonon, He ro KopycTUTE 3a Tonneme BO MUKpo6paHoBaTa neHKa.
4. He ja npecKOKHyBajTe MMHyTa 3a 3oBupafee Ha BogaTa.

Maiepyjanu curypHy 3a ynoipe6a BO MMKpo6paHoBa neHKa

Алу фолија	Само за покривање. Можат да се користат мали парчиња за покривање тенки парчиња месо за да се спречи препржување. Ако фолијата е преблиску до ѕидовите на печката, може да дојде до запалување. Фолијата би требало да биде намалку 2,5 цм оддалечена од ѕидовите на печката.
Садови за печење јадење	Придржувајте се на упатствата на производителот. Дното на садот мора да биде минимум 5мм над чинијата која се врти. Неисправна употреба може да предизвика пукање на чинијата..
Сервис за јадење	Само оние кои се погодни за употреба во микробранови печки. Придржувајте се на упатствата на производителот. Не користите напукнати или оштетени садови.
Тегли	Секогаш тргајте го капакот. Не користете ги за греење се додека храната не биде претопла. Повеќето од теглите не се отпорни на топлина и можат да пукнат.
Стаклени садови	Користите само садови со огноотпорно стакло. На садовите не смее да има метални рабови. Не користите напукнати или оштетени садови.
Кеси за готвење	Придржувајте се на упатствата на производителот. Не затворајте со метална врвка. Направете отвор за да излегува пареата.
Хартиени чинии И чаши	Користете ги само за краткотрајно готвење/греење. Не оставајте без надзор во текот на процесот.
Хартиени салфетки	Користете ги за покривање на храна за подгревање и упивање на мрснотијата.. Држете ги под надзор само за краткотрајно греење.
Хартија за колачи	Користете ја како капак за да спречите прскање или пак користете ја како обвивка за парење на колачите.
Пластика	Посебно погодна за употреба во микробранова печка. Придржувајте се на упатствата на производителот. Би требало да биде обележана со "Microwave Safe". Некои пластични садови омекнуваат кога во нив се загрева храната.

Кеси за готвење	Би требало да се избушат или подотворот, како што е назначено на амбалажата.
Пластична фолија	Посебно погодна за употреба во микробранови печки. Користете ја за покривање на храна за време на греењето за да се зачува влагата. Пластичната фолија не би требало да ја допира храната.
Термометри	Исклучително погодни за употреба во микробранови печки(за месо и колачи)
Мрсна хартија	Користете ја за да ја покриете храната, за да спречите прскање и за да ја зачувате влажноста.

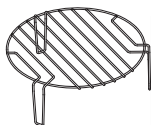
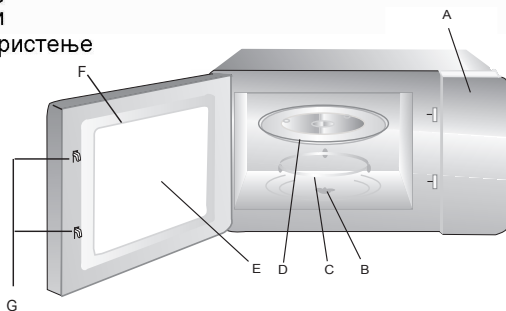
Материјали непогодни за употреба во микробранова печка

Материјали	Напомена
Алуминиумска Чинија	Може да предизвика пламен. Префрлете ја храната во сад погоден за микробранови печки.
Садови со метални рачки	Може да предизвика пламен. Префрлете ја храната во сад погоден за микробранови печки.
Метални или метално изработени садови	Металот ја заштитува храната од микробранова енергија. Металните рабови можат да предизвикаат искри.
Метални врвки	Можат да предизвикаат искра и оган во внатрешноста на печката
Хартиени ќеси	Можат да предизвикаат оган во печката
Пластична пена	Пластичната пена може да се стопи или да ја контаминира внатрешноста на печката кога е изложена на висока температура.
Дрво	Дрвото при употребата во микробрановата печка ќе се исуши, а може и да се расцепи или да напукне.

ПОСТАВУВАЊЕ НА ВАШАТА ПЕЧКА

Тргнете ги сите додатоци од амбалажата и внатрешноста на рерната.
Со вашата печка се приложени следните додатоци:

1. Стаклена чинија
2. Обрач со точки
3. Упатство за користење



Решетка за грил (се употребува само во грил функцијата и се стави на стаклена чинија)

- А) Контролна плоча
- Б) Осовина за вртење
- В) Обрач со точки
- Г) Стаклена чинија
- Д) Прозор за надгледување
- Ѓ) Врата
- Е) Систем за сигурносно затварање

Поставување на осовина за вртење

Средна (долна) страна

Стаклена чинија

Осовина



Обрач со точки

- а) Никогаш не ја поставувајте чинијата наопаку. Ништо не смее да ја блокира стаклената чинија.
- б) За време на греењето стаклената чинија и обрачот со точка мора секогаш да се користат.
- в) За време на греењето, храната и садовите треба да се стават на стаклената чинија.
- г) Доколку стаклената чинија и обрачот со точка напукнат или се скршат, веднаш контактирајте го најблискиот овластен сервисен центар.

Поставување и приклучување на уредот

1. Уредот е намењен исклучиво за употреба во домаќинство.
2. Печка е наменета исклучиво за вградување, не за употреба на работната површина или во орман на кујната.
3. Ве молиме придржете до посебни упатства за поставување.
4. Рерна може да се намести во рамките на 60 см широк ѕид.
5. Уредот има приклучок, кој може да се приклучи само на правилно заземлен електричен приклучок.
6. Електрично напојување мора да одговара на напонот наведен на табелата уредот.
7. Наместување на приклучокот или замена на струјниот кабел може да се повери само на квалификуван сервисер. Ако приклучокот по наместување е недостапен, мора да се постави мултиполечна приклучна шина со најмалку 3 мм простор помеѓу контактите.
8. Немојте да користите адаптери или продолжни кабли, бидејќи ако дојде до преоптоварување, тоа лесно предизвикува пожар.

**Пристапните површини
на уредот можат да**



бидат жешки за време на работа на уредот.

Упатства за поставување

Ве молиме внимателно да ги прочитате сите упатства пред поставувањето

Напомена

Електричен приклучок

Уредот има приклучок, кој може да се приклучи само на правилно заземлен приклучок.

Електрично напојување мора да одговара на напонот наведен на називната табла на уредот.

Монтажа на приклучок или замена на струјниот кабел може да се повери само на квалификуван сервисер. Ако приклучокот по наместување е недостапен, мора да се постави мултиполечна приклучна шина со најмалку 3 мм простор помеѓу контактите.

Полицата во која планирате да го вградите уредот, не смее да има сид на задната страна.

Меѓу меурот и основите на уредот мора да биде одредено растојание, кое е прикажано на сликите подолу.

Минимална височина за поставување: 85 см.

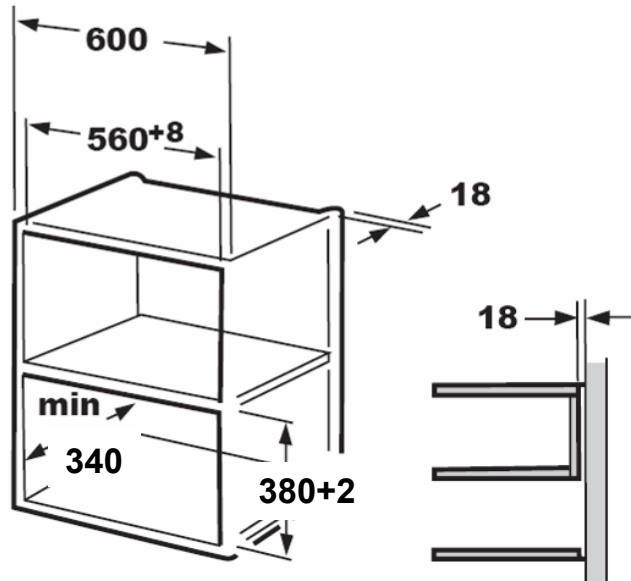
Не покривајте ги отворите зса вентилација.

Напомена:

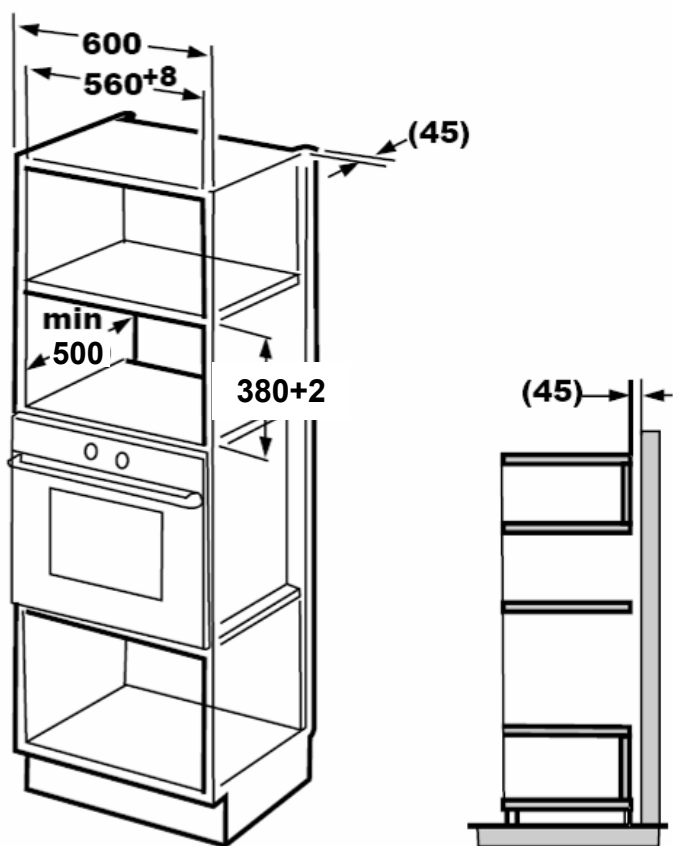
Немојте да го виткате струен кабел.

А. Корпус за вградување

1.



2.

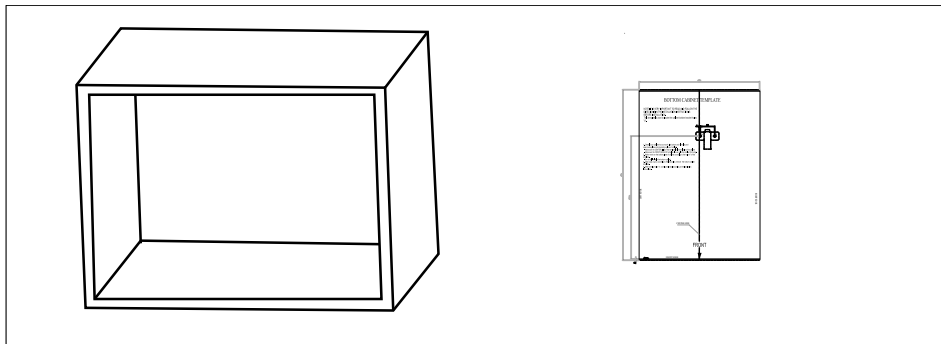


ҺаnоМеҺа:

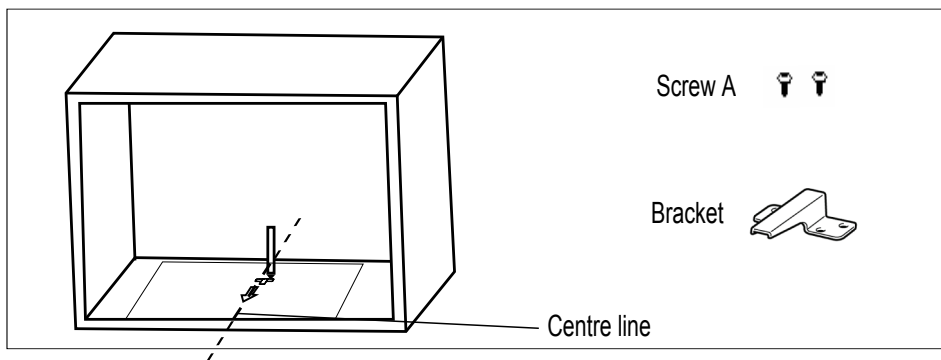
Каж фlBeTe BugoBu Һа носТаByBa^е потредHo е ga ce KopуcTy HocuTen u Moflen
3а фlHoTo Һа nonу^.

Б. Припрема на полица

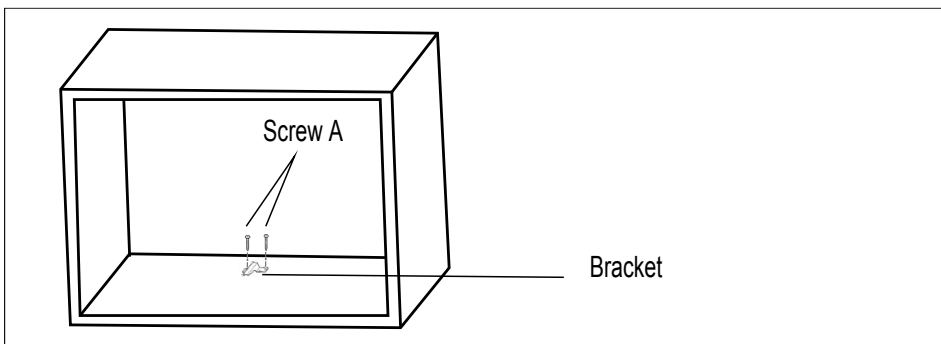
1. Прочитајте го упатство за Узорак за дното на полица, ставете го на дното.



2. Направете ознаки на дното, како што е означено на образец со слово А



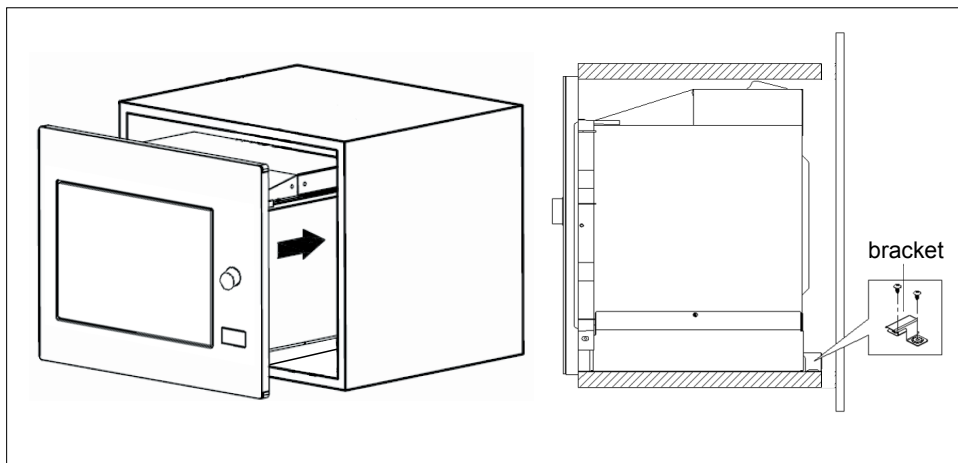
3. Одстранете го образец и прицврстете го носачот со шрафот А



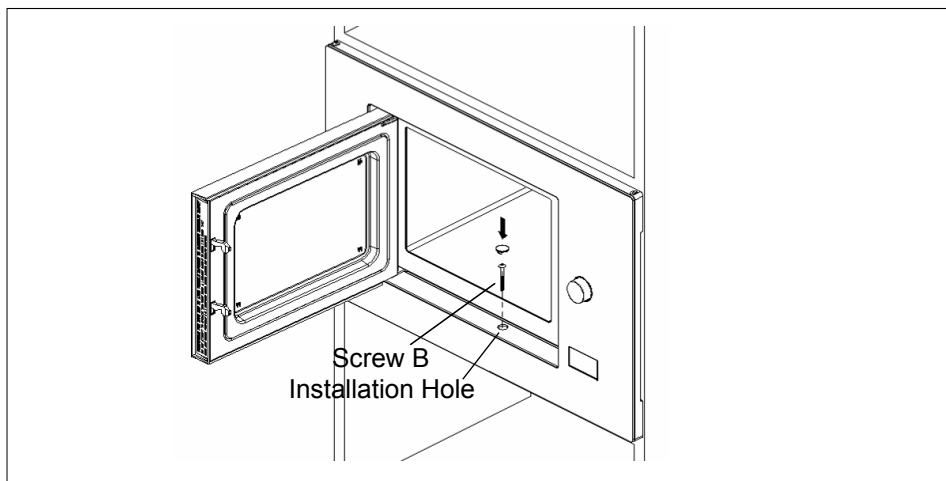
Ц . Поставување на печка

4. Поставување на печка во полицата

- Уверете се дека задната страна на печка се наоѓа на носачот
- Не го звиткајте струен кабел!

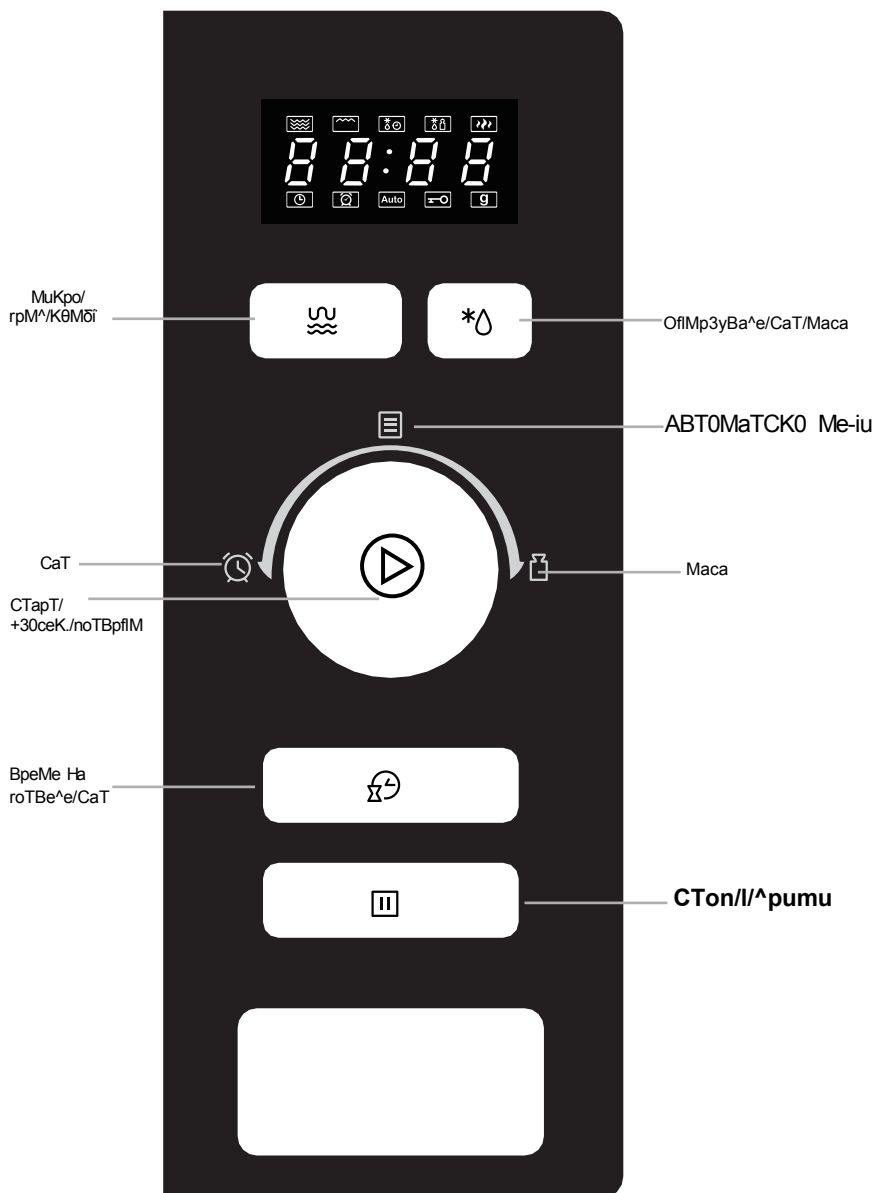


5. Отворете ги вратата, прицврстете ја печка на полицата со помош на шрафот Б во означен простор. Закачете го пластичниот капак на означеното место.



употреба

Контролна пана и функцији



Упатство за употреба

1. Поставување на сатот

Кога ќе поврзете печката на екранот ќе се прикаже »0:00« и ќе слушнете еден звучен сигнал.

1) Притиснете двапати копче " Време на готвење/Сат" за да изберете функција на тајмерот, бројките за часови светлат на екранот.

2) Обрнете го копче О за да поставите часот, изберете вредноста 0--23.

3) Притиснете копче " Време на готвење/Сат, бројки за минути ќе почнат да трепкат.

4) Обрнете копче О за да поставите минути, изберете вредност 0--59.

5) Притиснете копче" Време на готвење/Сат " за да потврдите поставки. Символот ":" ќе светне, и ќе се прикаже избраниот час.

Опомена: 1) Ако сат не е поставен, уредот неќе започне греење.

2) Ако во текот на поставки на часот притиснете »Стоп/Избриши«, печка се врати во претходна состојба.

2. Микробрановно готвење

Притиснете копче " Микро/Грил/Комби. " на екранот ќе се прикаже "P100". Притиснете копче " Микро/Грил/Комби " неколку пати или обрнете го копче О. " за да поставите моќ како што сакате и вредности ќе се прикажат "P100","P80" "P50","P30" или "P10" секој пат когаш притиснете копче. Потоа притиснете " Старт/+ 30сек/Потврди" за да потврдите, и обрнете го копче, да поставите времето на готвење од 0:05 до 95:00.

Повторно притиснете " Старт+ 30 сек/Потврди" за да почнете да готвите.

Пример: Ако сакате да користете 80 % моќ на микробранова и гответе 20 минути, следите ги овие чекори:

1) Притиснете копче " Микро/Грил/Комби. " еднаш, на екранот ќе се прикаже "P100".

2) Притиснете копче " Микро/Грил/Комби. " еднаш за да поставите 80% моќ на печка.

3) Притиснете " Start/+ 30 Sek./Potvrdi" da potvrdite, na ekranu ќе se prikazati "P 80".

4) Обрнете го копче О и поставите времето на готвење на "20:00".

5) Притиснете копче " Старт/30 сек./Потврди" за почетак на готвење.

Опомена: чекори за поставување са следните:

0--1 мин : 5 секунде

1—5 мин : 10 секунда

5---10 мин : 30 секунда

10—30 мин : 1 минут

30—95 мин : 5 минута

Микро/Грил/Комби Ред	Екран	Моќ на микробранови	Моќ на грил
1	P100	100%	
2	P80	80%	
3	P50	50%	
4	P30	30%	
5	P10	10%	
6	G	0%	100%
7	C-1	55%	45%
8	C-2	36%	64%

3. Грил (Скара) или комбинирано готвење

Притиснете копче " Микро/Грил/Комби.", на екранот се прикаже "P100". Потоа притиснете " Микро/Грил/Комби." Или обрнете копче O, за да изберете моќ на печка. Секој пат кога притиснете копче " Микро/Грил/Комби." ќе се избере "G","C-1" или "C-2".

Потоа притиснете копче "Старт/+ 30сек./Потврди" за да потврдите и со копче O поставите времето на готвење од 0:05 до 95:00. Поново притиснете " Старт/+ 30 сек/Потврди" за почетак на готвење.

Пример: Ако сакате да употребите 55% моќ на микробранова и 45% моќ на грил (C-1) кгответе 10 минути, и следните ги овие чекори:

- 1) Притиснете копче " Микро/Грил/Комби " еднаш, се прикаже "P100".
- 2) Притискајте копче " Микро/Грил/Комби. " или со копче O изберете комбиниран режим 1.
- 3) Притиснете "Старт+ 30 сек/Потврди" за да потврдите, на екранот ќе се прикаже "C-1".
- 4) Со копче O поставите времето на готвење на "10:00".
- 5) Притиснете Старт+ 30 сек/Потврди " за почетак на готвење.

Предупредување: По половина на времето за готвење се слушнат две сигнали, тоа е нормално. За да се подобро пече во функција грил, препоручливо е да се храната сврти. Затворете ги врата и притиснете копче "Старт/+ 30 сек/Потврди" да продолжите со готвење. Ако нема поставено готвење, печка ќе продолжи да работи.

4. Брз почеток

- 1) Во режимот standby, притиснете "Старт/+ 30сек/Потврди" за почеток а готвење со 100 % моќ, секој додатни притисок на исто копче додава 30 секунди на готвење до највише 95 минути.
- 2) Во режимот на комбинирано дејствување микробранова/грил или на режимот на одмрзување секој пат когаш притиснете копче "Старт/+ 30 сек/Потврди" го продолжи за 30 сек.
- 3) Во режимот standby, с копче О изберете времето на готвење со 100 % моќ на микробранова и потоа притиснете "Старт/+ 30 сек/Потврди" за почеток на готвење.

5. Одмрзување со поставка на масата

- 1) Притиснете копче "Одмрзување/Маса/Час" еднаш, на екранот се прикаже "dEF1".
- 2) Со копче О изберете маса на храната помеѓу 100 i 2000 g.
- 3) Притиснете "Старт/+ 30 сек/Потврди" за почеток на одмрзување.

6. Одмрзување со поставка на времето

- 1) Притиснете копче " Одмрзување/Маса/Час " двапати, на екранот се прикаже "dEF2".
- 2) Со копче О изберете час на одмрзување највеќе до 95 минута.
- 3) Притиснете "Старт/+ 30 сек/Потврди" за почеток на одмрзување. Употребена моќ за одмрзување е P30 и не се менува.

7. Времето на готвење

- (1) Притиснете копче "Времето на готвење/Час" еднаш,на екранот се прикаже 00:00.
- (2) Со копче О изберете желен час (највеќе 95 минути).
- (3) Притиснете "Старт/+ 30 сек/Потврди" за да потврдите подесување.
- (4) Когаш дојде до поставен час, индикатор за тајмер се згасне. Се слушне пет пати по ред звучен сигнал. Ако е поставен сат (24-часовен приказ) на екранот се прикаже тековно време.

Предупредување: Времето на готвење не е поврзано со часовникот на 24 часа, но е поврзано со тајмер.

8. Автоматско мени

- 1) Обрнете копче О десно и изаберете мени, ќе се прикажат опции од А-1 до А-8.
- 2) Притиснете "Старт/+ 30 сек/Потврди" за да потврдите избор.
- 3) Со копче О изберете желна маса, како што е прикажано во табела.
- 4) Притиснете "Старт/+ 30 сек/Потврди" за да поставите маса.
Пример: Ако сакате с користење на автоматско менито да гответе риба, со маса од 350 g.
- 1) Со копче О поставете на А-6.
- 2) Притиснете "Старт/+ 30 сек/Потврди" за да потврдите избор.
- 3) Со копче О изберете маса 350 g.
- 4) Притиснете "Старт/+ 30 сек/Потврди" за почетак на готвењер.

Табела на менито:

МеНУ	Маса	ЕКpaH
A-1	200 g	200
nuj^	400 g	400
A-2	250 g	250
Meco	350 g	350
	450 g	450
A-3	200 g	200
ЗенеH4yK	300 g	300
	400 g	400
A-4	50g(c0 450 ml nagi-a B0ga)	50
TecTeHuHu	100g(c0 800 ml nagi-a B0ga)	100
A-5	200 g	200
KûMnup	400 g	400
	600 g	600
A-6	250 g	250
PMѓa	350 g	350
	450 g	450
A-7	1 4awu4Ka (120 ml)	1
nujand^	2 4awu4Ku(240 ml)	2
	3 4awu4Ku (360ml)	3
A-8	50 g	50
nyKaHКу	100 g	100

9. Повеќестепено готвење на храната

Можете да ги поставите две фази на готвење. Ако еден дел изберете одмрзнување, потоа одмрзнување ќе биде првата автоматска опција.

Пример: Ако првиот сакате да го одмрзнувате храна за 5 минути, а потоа 7 минути да се готви храна со 80% моќност на микробрановата, следете ги овие чекори:

- 1) Притиснете двапати копче "Одмрзување/маса/час", потоа на екранот се прикаже "dEF2".
- 2) Со копче O изберете време на одмрзување 5:00.
- 3) Притиснете копче " Микро/Грил/Комби "еднаш, се прикаже "P100".
- 4) Притиснете копче Микро/Грил/Комби. " еднаш или со копче O изберете 80 % моќ на микробранова.
- 5) Притиснете "Старт/+ 30сек/Потврди" за да потврдите, и на екранот се прикаже P 80.
- 6) Со копче O изберете времето на готвење 7:00.
- 7) Притиснете "Старт/+ 30 сек/Потврди" за почетак на готвење, потоа се слушне звучен сигнал и време на одмрзување започне да одбројува. Кога се готвење заврши, слушнат се пет пати за ред звучни сигнали.

10. Функција на тестирање

- (1) Кога е активирано комбинирано микробранова и грил, притиснете копче Микро/Грил/Комби" на екранот се прикаже тренутна моќ на 3 секунде или режимот на режим грил. По овие 3 секунди екран се враќа на претходниот екран.
- (2) Во обратен начин на готвење притиснете копче "Време на готвење/Час", на екранот ќе се прикаже за 3 секунде времето на готвење.

11. Функција за заклучување за заштита на децата

Заклучување:

Во standby режимот, притиснете копче "Стоп/Избриши" и држете 3 секунде, се слушне звучен сигнал, кои покажува дека печка е заклучена. На екранот се прикаже часовникот,ако е поставен, ако не е поставен се прикаже знак [≡≡]. Сите индикатори светлат.

Одклучување:

Во заклучен режим притиснете копче "Стоп/Избриши" и држете 3 секунде, се слушне долг звучен сигнал, што покажува дека печка е отклучена.

Решавање проблеми

Нормално	
Микробранова го омета прием на ТВ	Микробранова може да наруши радио и ТВ прием док работи. Тоа е слично на интерференција на мали домашни уреди, како што се миксер, правосмукалка и фен. То е нормално.
Темно светло во печка	При подготвување на мала моќност на микробрановата, светлото на печка може да стане темно. Тоа е нормално.
На вратата се кондензира влага, Од отворот излегува воздух	При готвењето од храна може да излегува пара. Повеќе ќе излезе низ вентилационите отвори, но дел може да се кондензира на поларни места како и на вратата. Тоа е нормално.
Печка е случајно уключена без храна во неа	Забранено е да се користи празна печка. Тоа е многу опасно. Веднаш исклучете го уредот.

Проблем	Можен взрок	Решение
Печка не може да се покрене	(1) Струен кабел е неисправно вклучен	Исклучете го кабел, и вклучете го по 10 секунди.
	(2) Осигурач е неисправан	Заменете го осигурач.
	(3) Проблем со приклучот	Тестирајте го приклучок со други електрични уреди.
Печка не грее	(4) Врата не са добро затворени	Добро ги затворите вратата.
Стаклена тацна прави бучава во работа на микробранова.	(5) Обруч со тркалца и рерна са нечисти	За чистење погледнете оддел "Одржување на микробранова"



Согласно на одредбите за одстранување на електрична и електронска опрема, таквата опрема треба да биде посебно собрана и обработена. Ако во било кое време треба да го одстраните овој уред, ве милеме да не го фрлате заедно за домашниот отпад, но таму каде што е предодредено.



IMWH- GD202IX

MANUALI I PERDORUESIT FURRA MIKROVALORE

Para përdorimit të parë të furrës, lexojeni me kujdes këtë udhëzim dhe rujeni me kujdes.

Në qoftë seju ndiqni këtë udhëzim, furra juaj do t'ju shërbejë për shumë vite.

LEXOJENI ME KUJDES KËTË UDHËZIM

MASAT PARAPRAKE PER TE SHMANGUR EKSPOZIMIN E MUNDSEM NDAJ ENERGJISE SE TEPRUAR MIKROVALORE

(a) Mos provoni te perdorni kete furre me dere te hapur pasi qe mund te shkaktoje ekspozim te demshem ndaj energjise mikrovalore. Eshte me rendesi qe te mos thyeni ose te mos prishni lidhjet e sigurise.

(b) Mos vendosni asnje objekt ne mes te anes se perparme te furres dhe deres, mos lejoni grumbullimin e ndyresirave ose preparateve per pastrim ne siperfaqet mbyllese.

(c) VEREJTJE: Ne qofte se dera ose mbyllesit e deres jane demtuar, furren nuk duhet ta perdorni, deri sa ta rregulloje personi kompetent.

SHTOJCE

Ne qofte se aparati nuk mbahet ne gjendje te paster, siperfaqja e tij mund te demtohet dhe kjo mund te ndikoje ne kohezgjatjen e perdorimit te aparatit dhe shkakton situata te rrezikshme.

Specifikacionet

Modeli:	IMWH-GD202IX
Tensioni punues:	230V~50Hz
Energjia hyrese e vleresuar (Mikrovale):	1250 W
Energjia dalese e vleresuar (Mikrovale):	800W
Energjia hyrese e vleresuar(Grill):	1000W
Kapaciteti i furres:	20L
Diametri i pjates rrotulluese:	Ø 245mm
Dimensionet e jashtme:	595x343.5x388mm
Pesha neto:	Afersisht. 15 kg

UDHEZIME TE RENDESISHME TE SIGURISE VEREJTJE

Per te zvogeluar rrezikun nga zjarri, shoku elektrik, lendimet fizike ose ekspozimi i tepruar ndaj energjise mikrovalore gjate perdorimit te pajisjes, ju lutemi qe te respektoni masat themelore paraprake, qe perfshijne:

1. Verejtje: Lengjet dhe ushqimet tjera nuk duhet te ngrohen ne ene te mbyllura sepse mund te shperthejne.
2. Verejtje: Heqja e kapakut i cili mbron nga ekspozimi ndaj energjise mikrovalore eshte e rrezikshme per te gjithë, perveg personit kompetent.
3. Kete pajisje mund ta perdorin femijet e moshes mbi 8 vjegare, si dhe personat me aftesi te zvogeluara fizike, shqisore ose mendore ose me mungese te pervojës dhe njohurive, nese jane nen perkujdesje ose kane marre udhezime per perdorimin e aparatit ne menyre te sigurte dhe kuptojne rreziqet qe permban. Femijet nuk duhet te luajne me pajisjen. Pastrimin dhe mirembajtjen nuk duhet ta bejne femijet, ne qofte se nuk jane me te moshuar se 8 vjet dhe nuk jane nen mbikeqyrje.
4. Mbani kete pajisje dhe kabllon e saj large nga femijet e moshes nen 8 vjeg.
5. Perdorni vetem ene qe jane te pershtatshme per furra mikrovalore.
6. Furra duhet te pastrohet rregullisht dhe te hiqen te gjitha mbeturinat e ushqimit.
7. Lexoni dhe ndiqni: "MASAT PARAPRAKE PER TE PARANDALUAR EKSPOZIMIN E TEPRUAR TE MUNDHEM NDAJ ENERGJISE MIKROVALORE".
8. Gjate ngrohjes se ushqimit ne ene plastike ose te letres, kujdesuni per furren per shkak te rrezikut nga zjarri.
9. Ne rast te paraqitjes se tymit, fikeni furren, ose hiqeni nga rryma,

mbajeni deren e pajisjes te mbyllur per te ndaluar flaken e mundshme.

10. Mos e tejpekni ushqimin.

11. Mos e perdorni hapesiren e furres per te ruajtur gjesende. Mos mbani gjera ne furre, si buke, embelsira, etj. brenda ne furre.

12. Hiqni kapeset e telit dhe mbajteset e metalit nga enet e letres ose te plastikes/qeset para vendosjes ne furre.

13. Instaloni ose vendoseni kete furre vetem ne perputhje me udhezimet e bashkangjitura per instalim.

14. Vezet me levozhge dhe vezet e ziera forte nuk duhet te ngrohen ne furre mikrovalore pasi qe mund te eksplodojne edhe pas perfundimit te ngrohjes ne mikrovale.

15. Ky aparat eshte i dedikuar per perdorim ne amviseri dhe objekte te ngjashme, si:

-hapesirat e kuzhinave per personel, zyra dhe ambiente te tjera pune;

-ne hotele, motele dhe ambiente te ngjashme rezidenciale;

-shtepi fshatare;

-bujtina.

16. Nese demtohet kablli i rrymes, duhet te zevendesohet nga prodhuesi, sherbimi i autorizuar ose nga persona me kualifikim te ngjashem, per te parandaluar rrezikun e mundshem.

17. Mos e mbani ose mos e perdorni pajisjen ne ambient te hapur.

18. Mos e perdorni kete furre afer ujit, ne bodrum te lagesht ose ne afersi te pishines.

19. Gjate operimit temperatura e siperfaqeve te disponueshme mund te jete e larte. Mbani kabllin e rrymes me large siperfaqeve te nxehta dhe mos i mbuloni hapesirat ne furre.

20. Mos lejoni qe kablli i rrymes te lekundet ne skaj te tehut te tavolines ose siperfaqes punuese.

21. Mospastertia e furres mund te shkaktoje demtim te siperfaqeve te saj, qe mund te shkurtoje kohezgjatjen e perdorimit te pajisjes dhe

te shkaktoje situata te rrezikshme.

22. Permbajtjet e shisheve te bebeve dhe kavanozeve me ushqim te femijeve duhet te perzihen ose te tunden, si dhe duhet te kontrollohet temperature para se te ushqeni femijet, ne menyre qe te parandalohen djegiet e mundshme.

23. Ngrohja e pijeve ne furre mikrovalore mund te rezultoje ne vlim te vonuar eruptiv, prandaj duhet te beni kujdes gjate perdorimit te ambalazhit.

24. Pajisja nuk eshte e destinuar per perdorim nga ana e personave (perfshire edhe femijet) me aftesi te zvogeluara fizike, shqisore ose mendore ose me mungese te pervojës dhe njohurive nese nuk jane nen mbikeqyrje ose nuk jane te njoftuar per punen e pajisjes nga ana e personit pergjegjes per sigurine e tyre.

25. Femijet duhet te mbikeqyren per tu siguruar se nuk jane duke luajtur me pajisjen.

26. Pajisja nuk eshte e destinuar per perdorim me ane te kohematesve te jashtem ose sistemeve te teledirigjimit.

27. Pjeset e pajisjes mund te nxehen gjate perdorimit. Prandaj femijet mbani large nga pajisja.

28. Nuk guxon te pastrohet me pastrues me avull.

29. Gjate perdorimit, pajisja nxehet. Duhet te keni kujdes per te parandaluar prekjen e elementeve ngrohese, brenda furrës.

30. Perdorni vetem sonden e temperatures te rekomanduar per kete furre (per furrat e pajisura me instalim per perdorim te sondes per kontrollim te temperatures.)

31. VEREJTJE: Pajisja dhe pjeset e disponueshme te saj ngrohen. Duhet patur kujdes qe te parandalohet prekja e elementeve ngrohese. Femijet nen moshen 8 vjegare duhet mbajtur large nga aparati nese jane pa mbikeqyrje.

32. Furra mikrovalore duhet te punoje me deren dekorative te hapur

(vlen për furra të cilat kanë derë dekorative).

33. Sipërfaqja e dollapit të ruajtjes mund të ngrohet.

34. Furra mikrovalore është e destinuar për ngrohje të ushqimit dhe pijeve. Tharja e ushqimit ose rrobave dhe ngrohja e pllakave ngrohëse, pantoflave, sfungjerëve, rrobave të lagura dhe të ngjashme mund të çojë në rrezik nga lëndimi, ndezja ose zjarri.

LEXONI ME KUJDES DHE MBANI PËR REFERENCË TË ARDHSHME

Per te zvogeluar rrezikun nga lendimet Tokezimi

RREZIK

Rrezik nga goditja elektrike

Prekja e disa komponentave interne mund te shkaktoje lendime serioze personale ose vdekje.

Mos e gmontoni kete pajisje.

VEREJTJE

**Rrezik nga goditja elektrike
Perdorimi jo i drejte i tokezimit mund te shkaktoje goditje elektrike.**

Mos futni pajisjen ne prize perderisa te beni instalimin dhe tokezimin e duhur.

Kjo pajisje duhet te kete tokezim. Ne rast te qarkut elektrik te shkurter, tokezimi zvogelon rrezikun nga goditja elektrike nepermjet telit per bartjen e rrymes elektrike. Kjo pajisje eshte e pajisur me kablo te tokezuar dhe me prize me kontakt te tokezuar. Priza duhet te kyget ne fole e cila eshte e instaluar ne menyre te rregullt dhe eshte e tokezuar. Konsultoni ndonje elektricist te

kualifikuar ose ndonje serviser nese udhezimet rreth tokezimit nuk jane teresisht te qarta apo nese nuk jeni te sigurte se pajisja eshte e tokezuar ashtu sig duhet.

Nese duhet te perdorni kablo te zgjatur, perdorni vetem kablo zgjatimi me tre tela.

- 1. Kablo e rrymes eshte e shkurter per te zvogeluar rreziqet nga peshtjellimi dhe ngaterresat ne kablo te gjate.**
- 2. Nese perdoret kablo e gjate ose kablo zgjatuese:
 - 1) Fuqia e shenjuar e kablos se rrymes ose kablos se zgjatur duhet te jete i barabarte ose me i madh se fuqia e shenjuar e pajisjes.**
 - 2) Kabloja e zgjatur duhet te jete e tipit te tokezuar me 3 tela.**
 - 3) Kabloja e gjate duhet te rregullohet ashtu qe te mos kerthohet mbi tavolinen e punes apo mbi tryeze, ku mund ta kapin apo ta terheqin femijet pa dashje.****

PASTRIMI

Sigurohuni qe te gkyqni pajisjen nga rryma elektrike.

- 1. Pas perdorimit, brendine e furrës pastrone lehte me nje leckë te lagur.**
- 2. Shtojcat e pajisjes pastroni ne menyre te zakonshme, me uje dhe detergjent.**
- 3. Kornizen e derës dhe mbyllesin si dhe pjeset shtese duhet te pastrohen me nje leckë te lagur, kur te jene te ndotura.**
- 4. Mos perdorni mjete te forta abrazive ose metale per pastrimin e xhamit te derës pasi qe mund te gervishin siperfaqen e qe mund te shkaktoje thyerjen e xhamit.**
- 5. Keshille -per pastrim te lehte te brendise se furrës nga mbeturinat e ushqimit: Vendosni nje gjysme limoni ne nje ene, shtoni 300 ml (1/2 l) uje dhe ngrohje prej 100% te fuqise se mikrovalet per 10 minuta. Pastaj pastrone furren me leckë te thate dhe te bute.**

KUJDES Rrezik nga lendimet

Eshte i rrezikshem servisimi apo riparimi qe nenkupton heqjen e kapakut i cili mbron nga ekspozimi ndaj energjise mikrovalore per te gjithë, perveg personave profesioniste.

Shikoni udhezimet rreth "Materialeve qe mund t'i perdorni ne mikrovalet dhe ato qe duhet te shmangni:" Ekzistojne ene jometalike qe nuk jane te sigurta per perdorim ne furre mikrovalore. Nese ekziston ndonje dyshim, enen mund ta testoni ne menyren e pershkruar si me poshte:

Testi i enes:

- 1. Mbushni enen e sigurte me nje filxhan uje te ftohte (250ml) bashke me enen e zbrazet).**
- 2. Prekni enen me kujdes. Nese ena e zbrazet eshte e ngrohte, mos e perdorni per ngrohje ne mikrovalet.**
- 3. Mos e telkaloni kohen e ngrohjes prej 1 minute.**

Materialet që mund ti përdorni në furrën mikrovalore

Enët	Vërejtjet
Alu folja	Vetëm si mbulesë. Mund të përdoren pjesë të vogla të buta për mbulesën e pjesëve të holla të mishit ose të pulës për të parandaluar tejzierjen. Nëse alu folja është shumë afër mureve të furrës mund të shkaktohen shkëndija. Folja duhet të jetë të paktën 2.5 cm largë nga muret e furrës
Ena për pjekje	Ndiqni udhëzimet e prodhuesit. Fundi i enës duhet të jetë më së paku 5mm mbi pjatën që sillet. Përdorimi jo i drejtë mund të shkaktojë thyerjen e pjatës.
Servisi për ushqim	Vetëm enët që janë të përshtatshme për përdorim në mikrovalë. Ndiqni udhëzimet e prodhuesit. Mos përdorni enë të plasaritura ose të dëmtuara.
Kavanozet e qelqit	Gjithmonë largoni kapakun. Përdorni vetëm për të ngrohur ushqimin. Shumica e kavanozeve nuk është rezistente ndaj nxehtësisë dhe mund të pëlcasë.
Enët e qelqit	Përdorni vetëm enë të qelqit që janë rezistente ndaj nxehtësisë. Enët nuk duhet të kenë skaje metalike. Mos përdorni enë të dëmtuara ose të plasaritura.
Qeset për zierje	Ndiqni udhëzimet e prodhuesit. Mos e mbyllni me fije metalike. Bëni vrima që të dalë avulli
Pjatat dhe gotat e letrës	Përdorni vetëm për zierje/ngrohje të njehershme. Duhet të jetë nën mbikëqyrje gjatë gjithë kohës.
Peshqirat e letrës	Përdorni për mbulimin e ushqimit për ngrohje dhe thitjen e yndyrës. Përdorne me mbikëqyrje, vetëm për zierje të njehershme.
Letra për ëmbëlsira	Përdorni si mbulesë për të parandaluar spërkatjen ose si mbulesë për avullim.
Plastika	Kryesisht e përshtatshme për përdorim në mikrovalë. Ndiqni udhëzimet e prodhuesit. Duhet të ketë shenjën "Microwave Safe". Disa enë të plastikës zbuten deri sa të ngrohet ushqimi. "Qeset për zierje" duhet të çahen, shpohen ose të hapen, ashtu siç është shënuar në ambalazh.
Folja e plastikës	Kryesisht e përshtatshme për mikrovalë. Përdorni për të mbuluar ushqimin gjatë zierjes për shkak të mbajtjes së avullit. Folja e plastikës nuk duhet të prekë ushqimin.
Termometrat	Kryesisht të sigurtë për përdorim në mikrovalë (për mish dhe ëmbëlsira).
Letra e yndyrshme	Përdorni si mbulesë për të parandaluar spërkatjen dhe për mbajtjen e lagështisë.

Materialet të cilat duhet të shmangen për përdorim në furrën mikrovalore

Materialet

Vërejtje

Pjata e aluminit _____ Mund të shkaktojë shkëndija. Hidhni ushqimin në enë të përshtatshme për furrë mikrovalore.

Enët metalike ose me skaje metalike- mund të shkaktojë shkëndija. Hidhni ushqimin në enë të përshtatshme për mikrovalë.

Lidhëset e metalit _____ Mund të shkaktojë shkëndija dhe zjarr brenda furrës.

Qeset e letrës _____ Mund të shkaktojnë zjarr në furrë

Shkuma e plastikës _____ Shkuma e plastikës mund të shkrihet ose të kontaminojë lëngun brenda furrës kur të jetë e ekspozuar ndaj temperaturave të larta.

Druri _____

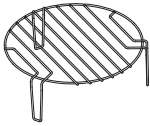
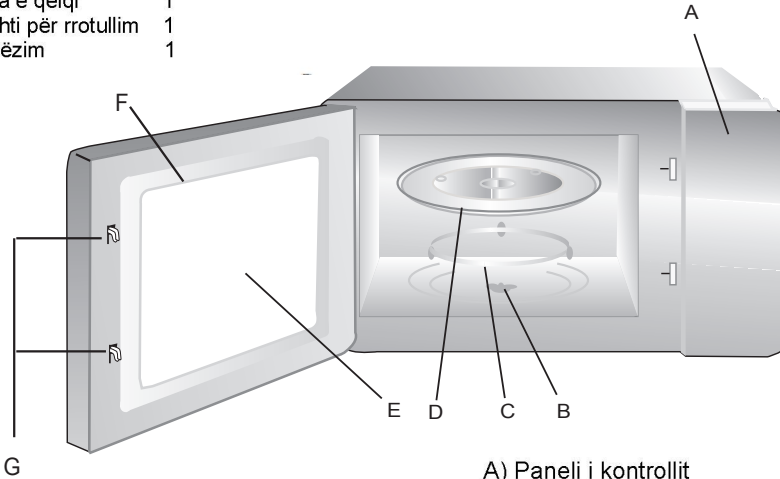
Druri do të thahet gjatë përdorimit në mikrovalë dhe mund të çahet ose të pëlcasë.

INSTALIMI I FURRËS TUAJ

Emërtimet e pjesëve të furrës dhe shtojcave

Hiqni furrën dhe të gjitha materialet nga ambalazhi dhe brendia e furrës. Në furrë janë të bashkangjitura këto shtojca

Pjata e qelqi	1
Boshti për rrotullim	1
Udhëzim	1



- A) Paneli i kontrollit
- B) Boshti për rrotullim
- C) Rrethi i tabakës
- D) Pjata e qelqi
- E) Dritare
- F) Dyert
- G) Mbyllësja e derës

Instalimi i pllakës rradhës

E mesme (e poshtme) ana

Pjata e qelqi

Bazë



Boshti për rrotullim

- a. Mos vendosni kurrë pjatë qelqi shtrembër. Asgjë nuk duhet ta bllokojë pjatën qelqi.
- b. Gjatë gatimit pjata qelqi dhe rrethi i tabakës duhet të përdoren gjithmonë.
- c. Gjatë gatimit, të gjithë ushqimi dhe enët duhet t'i vini në pjatë qelqi.
- d. Në qoftë se pjata qelqi ose rrethi i tabakës, kontaktoni qendrën e shërbimit më e afërt të autorizuar.

Instalimi dhe lidhja

1. Kjo pajisje eshte e destinuar vetem per perdorim ne amviseri.
2. Kjo furre eshte destinuar vetem per perdorim te integruar. Nuk eshte e destinuar per perdorim mbi banak ose per perdorim brenda dollapit.
3. Ju lutemi shikoni udhezimet e posagme per perdorim.
4. Pajisja mund te instalohet ne dollap me gjeresi muri prej 60cm.
5. Pajisja eshte e pajisur me kablo i cili duhet te kyget ne fole te instaluar ne menyre te rregullt dhe te tokezuar.
6. Tensioni i rrymes elektrike duhet te korrespondoje me tensionin e specifikuar ne pllaken e specifikimeve.
7. Foleja duhet te jete e instaluar dhe kabloja lidhese duhet te zevendesohet vetem nga personi elektrikist i kualifikuar.
8. Ne qofte se priza nuk eshte e arritshme gjate instalimit, duhet te jete e pranishme nje pajisje shkygese e te gjitha poleve ne anen e instalimit me nje hapesire kontakti prej te pakten 3mm.
9. Adaptoret, shirrat me shume drejtime dhe kablo zgjatuese nuk duhet te perdoren. Mbingarkesa mund te rezultoje ne nje rrezik zjarri.

Siperfaqja e prekshme mund te jete e nxehte gjate funksionimit.



Udhezime per instalim

Ju lutemi lexoni udhezuesin me kujdes perpara instalimit. Ju lutemi te keni parasysh

Lidhja elektrike

Furra eshte e pajisur me prize dhe duhet te lidhet vetem ne fole te instaluar ne menyre te rregullt dhe te tokezuar. Foleja duhet te instalohet vetem nga elektricisti i kulifikuar dhe kabloja lidhese duhet te zevendesohet vetem nga elektricisti i kualifikuar, dhe ne perputhje me rregullat adekuate.

Ne qofte se priza nuk eshte e arritshme gjate instalimit, duhet te jete e pranishme nje pajisje shkygese e te gjitha poleve ne anen e instalimit me nje hapesire kontakti prej te pakten 3mm.

Dollapi i pajisjes nuk duhet te kete mure te prapem mbrapa pajisjes. Duhet te mbahet nje hapesire ne mes te murit dhe bazes se njesise mbi. Madhesia specifike e hapesires mund te referohet me ane te diagrameve.

Lartesia minimale e instalimit: 85 cm.

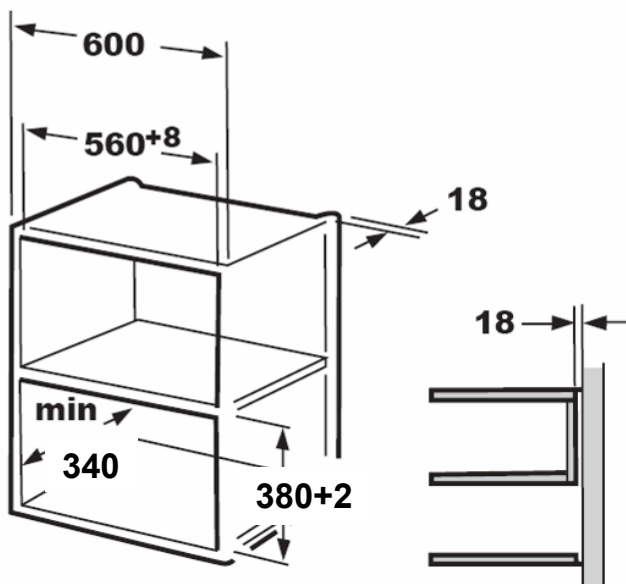
Mos i mbuloni vrimat e ventilimit dhe te thithjes.

Shenim:

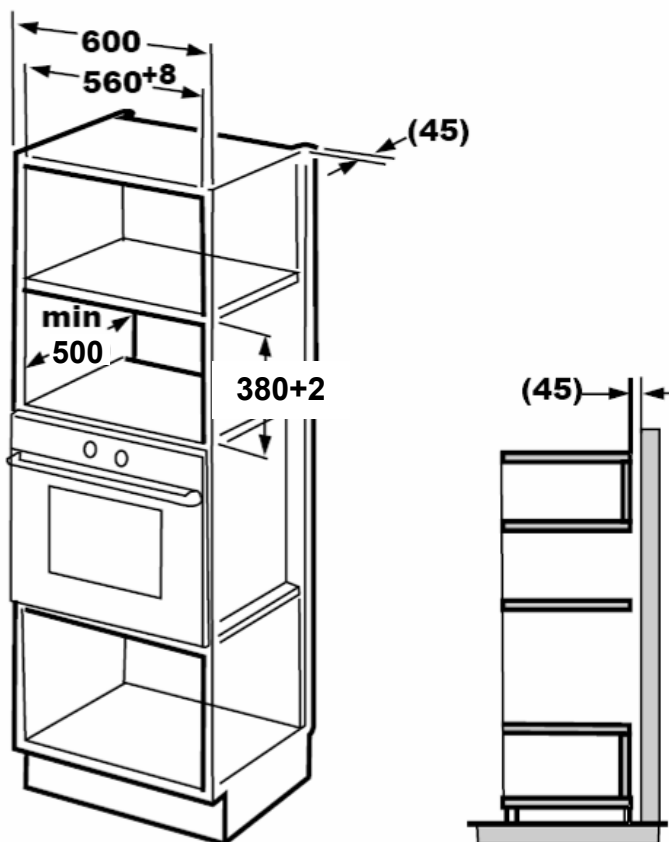
Mos e kurtheni apo lakoni kabllon e rrymes

A. Dollapi per instalim

1.



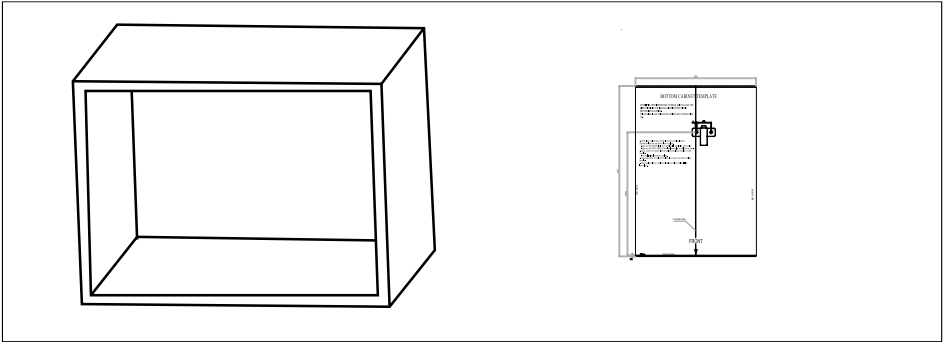
2.



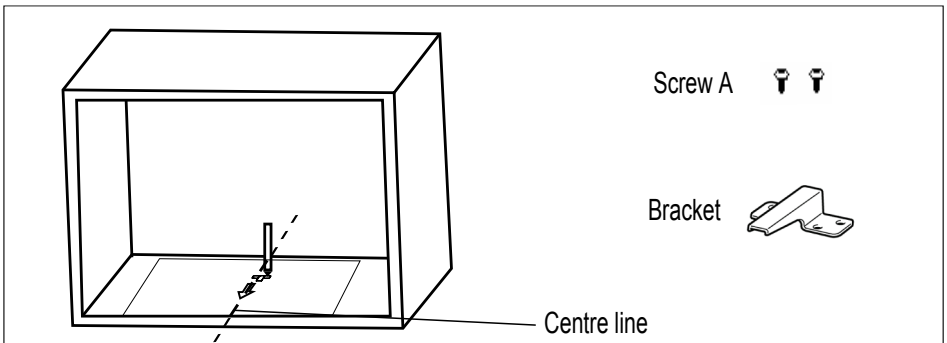
Shënim: Modeli i mbajtëses dhe kabinetit të poshtëm nevojiten kur instalohet në të dy instalimet.

B.Përgatitja e dollapit

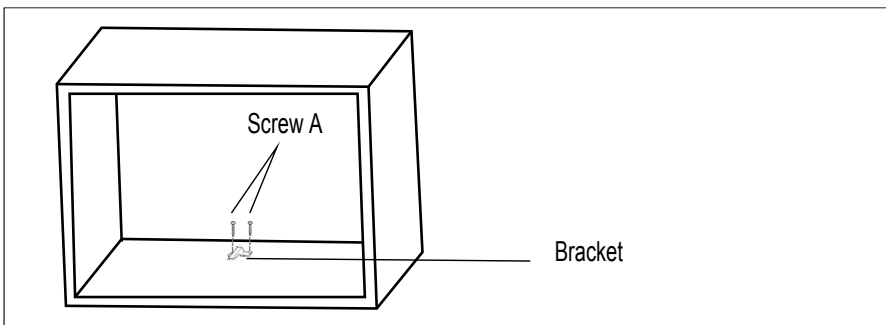
1. Lexoni udhëzimet në BOTTOM CANINET TEMPLATE , vendosni shabllonin në pjesën e poshtme të dollapit.



- 2.Vendosni shenjat në pjesën e poshtme të dollapit sipas shenjave "a" të shabllonit



3. Largoni shabllonin e pjesës së poshtme dhe fiksoni mbajtëset me vidhën A.

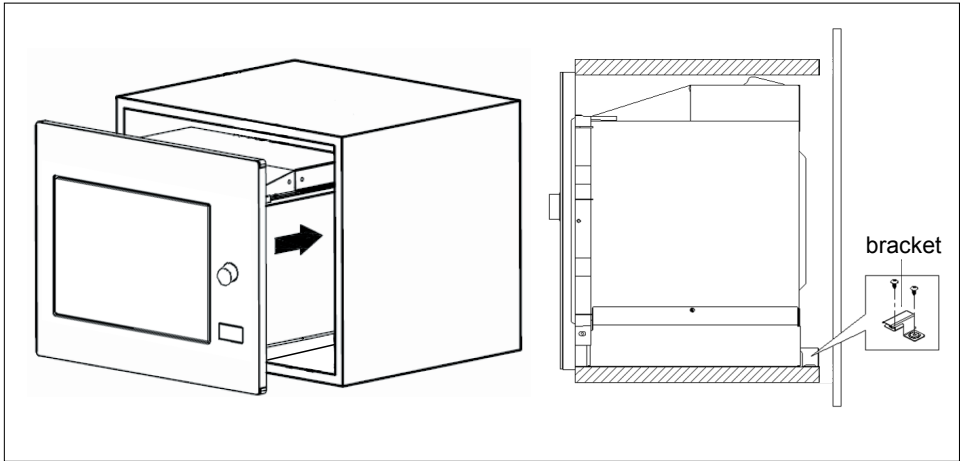


C .Instaloni furrën

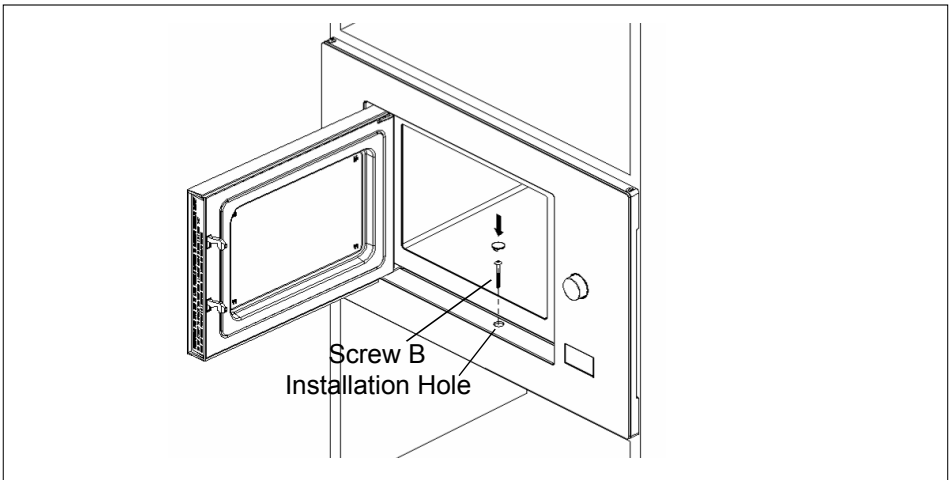
4. Instaloni furrën në dollap

- Sigurohuni që pjesa e pasme e furrës të jetë e shtrënguar me mbajtëse.

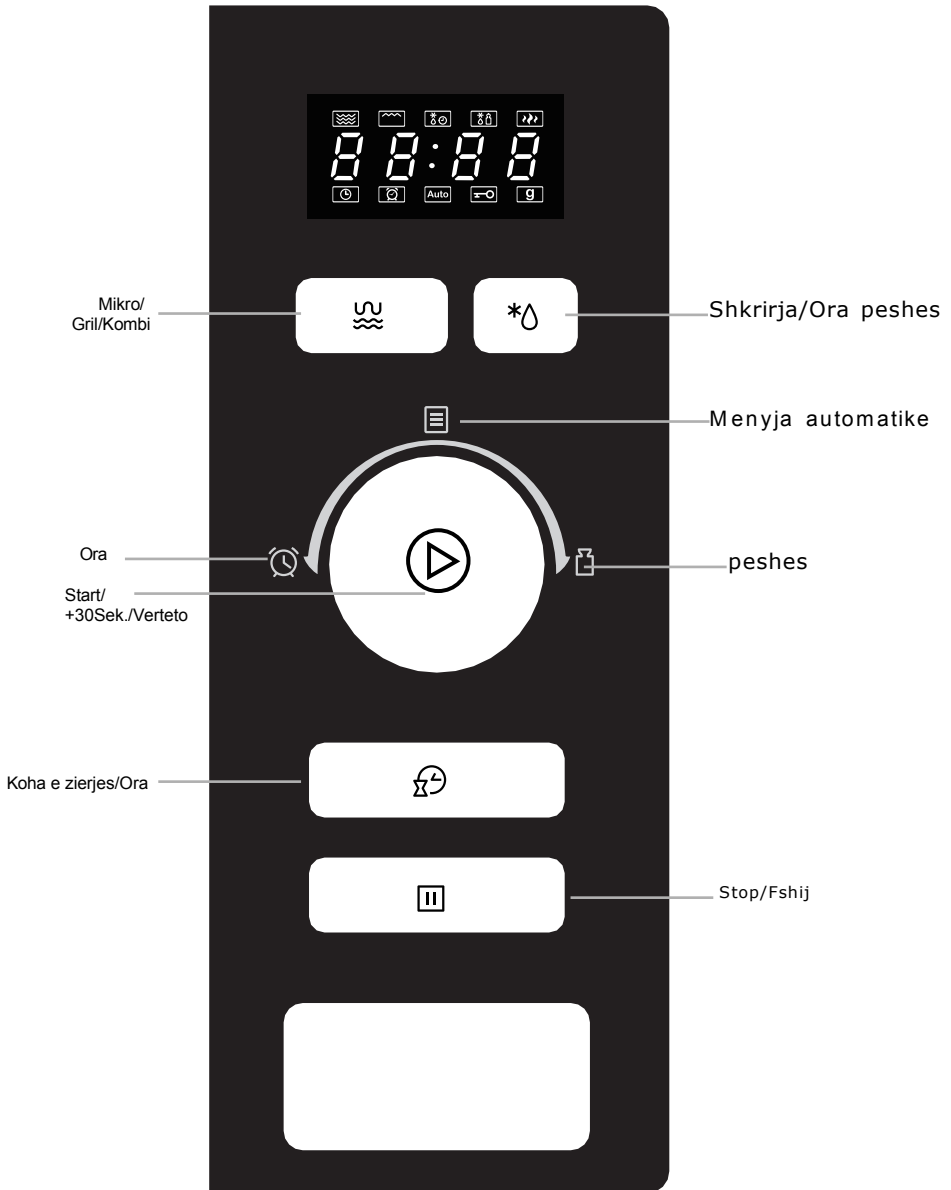
Mos e kërtheni apo mos e lakoni kabllon e rrymës.



5. Hapeni derën, fiksoni furrën në dollap me vidhën B, në vrimën për instalim.
Pastaj fiksoni mbulesën e plastikës në vrimën e instalimit





PERDORIMI Paneli i kontrollit dhe funksionet



Udhezim per perdorim

1. Vendosja e ores

Kur te kygni furren ne ekran do te paraqitet »0:00« dhe do te degjohet nje sinjal i zeshem.


- 1) Shtypni butonin dy here " Ora e zierjes/Ora" ne pergjzdhjen e funksionit te ores, shifrat e ores ne ekran do te bejne drite.
- 2) Silini butonin  per te vendosur oren, zgjidhni vlerat 0--23.
- 3) Shtypni butonin " Ora e zierjes/ Ora", shifrat per minuta do te fillojne te bejne drite.
- 4) Silni butonin  per te vendosur minutat, zgjidhni vlerat 0--59.
- 5) Shtypni butonin " Ora e zierjes/Ora" per te konfirmuar zjedhjet. Simboli ":" do te beje drite dhe ora e zgjedhur do te tregohet.

Verejtje: 1) Nese nuk e rregulloni oren, pajisja nuk do te filloje te ngrohe.


- 2) Nese me rastin e rregullimit te ores shtypni »Stop/Fshij«, furra kthehet ne gjendjen e meparshme.

2. Pjekja mikrovalore

Shtypni butonin " Mikro/Grill/Kombi. " ne ekran do te paraqitet "P100". Shtypni butonin

" Mikro/Grill/Kombi" disa here ose sillni butonin  . " per te zgjedhur fuqine te cilen deshironi, do te paraqiten vlerat "P100", "P80" "P50", "P30" ose "P10" cdo here kur te shtypni butonin. Pastaj shtypni butonin " Start/+ 30 Sek./Konfirmo " qe te konfirmoni dhe sillni butonin per te vendosur kohen e zierjes prej 0:05 deri 95:00. Perseri shtypni " Start/+ 30 Sek./Konfirmo" per fillimin e zierjes.

Shembull: Nese deshironi te perdorni 80 % te fuqise se furres mikrovalore dhe te zieni 20 minuta, ndiqni keto hapa:


- 1) Shtypni butonin " Mikro/Grill/Kombi. " nje here, ne ekran do te paraqitet "P100".
- 2) Shtypni butonin " Mikro/Grill/Kombi. " nje here per te vendosur 80% te fuqise se furres.
- 3) Shtypni " Start/+ 30 Sek./Konfirmo" per te konfirmuar, ne ekran do te paraqitet "P 80".
- 4) Silni butonin  dhe vendosni kohen e zierjes "20:00".
- 5) Shtypni " Start/+ 30 Sek./Konfirmo " per te filluar zierjen


Verejtje: hapat per vendosje jane keto:

0-1min	5 sekonda
1-5min	10 sekonda
5-10min	30 sekonsa
10-30min	1 minute
30-95min	5 minuta



Mikro/Grill/Kombi, Radhitja	Paraqitja ne ekran	Fuqia e ngrohjes mikrovalore	Fuqia e piekies
1	P 100	100%	
2	P 80	80%	
3	P 50	50%	
4	P 30	30%	
5	P 10	10%	
6	G	0%	100%
7	C-1	55%	45%
8	C-2	36%	64%

3. Pjekje ose zierje e kombinuar

Shtypni butonin "Mikro/Grill/Kombi.", ne ekran paraqitet "P100". Pastaj shtypni "Mikro/Grill/Kombi." Se silini butonin , per te zgjedhur fuqine e fures. Cdo here kur perseri shtypni butonin "Mikro/Grill/Kombi." do te perzgjidhet "G","C-1" ose "C-2".


Pastaj shtypni butonin "Start/+ 30 Sek./Konfirmo" per te konfirmuar dhe me butonin  vendosni kohen e zierjes prej 0:05 deri ne 95:00. Perseri shtypni " Start/+ 30 Sek./Konfirmo" per fillimin e zierjes.

Shembull: Nese deshironi te perdorni 55% te fuqise mikrovalore dhe 45% fuqi te pjekjes (C-1) zieni 10 minuta, duke ndjekur hapat:


- 1) Shtypni butonin " Mikro/Grill/Kombi. " nje here, ne ekran do te paraqitet "P100".
- 2) Duke shtypur butonin " Mikro/Grill/Kombi. " ose me butonin  zgjidhni regjimin e kombinuar 1.
- 3) Shtypni "Start/+ 30 Sek./Konfirmo" per te konfirmuar dhe ne ekran do te paraqitet "C-1".
- 4) Me butonin  vendosni kohen e zierjes ne "10:00".
- 5) Shtypni " Start/+ 30 Sek./Konfirmo " per feillim te zierjes

Verejtje: Pas skadimit te gjysmes se kohes se zierjes do te fillojne dy sinjale te zeshme, kjo eshte normale. Ne menyre q ne funksionin e pjekjes ushqimi te piqet me mire, rekomandohet qe ushqimin ta rrotulloni, te mbyllni deren dhe shtypni butonin "Start/+ 30 Sek./Konfirmo" per te vazhduar zierjen. Nese nuk keni bere nderhyrje, furra do te vazhdoje punen.


4. Fillim i shpejte

- 1) Ne gjendje gatishmerie, shtypni "Start/+ 30 Sek./Konfirmo" per fillim te zierjes ne fuqi 100 %, cdo presion shtese ne butonin e njejte shton 30 sekonda te zierjes deri ne me se shumti 95 minuta.
- 2) Ne menyren e veprimit te kombinuar furra mikrovalore/pjekja ose menyra e shkrirjes cdo presion i radhes ne butonin "Start/+ 30 Sek./Konfirmo" zgjate punen per 30 sekonda.
- 3) Ne gjendje gatishmerie, me butonin  zgjidhni kohen e zierjes me 100 % te fuqise mikrovalore dhe pastaj shtypni "Start/+ 30 Sek./Konfirmo" per fillim te zierjes.


5.Shkrirja me vendosjen e peshes

- 1) Shtypni butonin "Shkrirja/Pesha/Ora" nje here, ne ekran do te paraqitet shenimi "dEF1".
- 2) Me butonin  zgjidhni peshen e ushqimit ne mes te 100 dhe 2000 g.
- 3) Shtypni "Start/+ 30 Sek./Konfirmo" zaper fillim te shkrirjes.

6.Shkrirja me vendosjen e kohes

- 1) Shtypni butonin "Shkrirje/Pesha/Ora" dy here, ne ekran do te paraqitet shenimi "dEF2".
- 2) Me butonin  zgjidhni oren e shkrirjes, me se shumti deri ne 95 minuta.
- 3) Shtypni "Start/+ 30 Sek./Konfirmo" per fillim te shkrirjes. Koha qe perdoret per shkrirje eshte P30 dhe nuk ndryshon.

7.Ora e zierjes (Koha e zierjes)

- (1) Shtypni butonin "Ora e zierjes/Ora" nje here, ne ekran do te paraqitet 00:00.
- (2) Me butonin  zgjidhni kohen e deshiruar (me se shumti 95 minuta).
- (3) Shtypni "Start/+ 30 Sek./Konfirmo" qe te konfirmoni vendosjen.
- (4) Kur te arrihet ora e vendosur, indikator i ores fiket. Fillon te degjohet sinjali i zeshem pese here me radhe. Nese eshte e vendosur ora (24-ore paraqitje) ne ekran do te paraqitet sa eshte ora momentalisht.

Verejtje: Ora e zierjes nuk eshte e lidhur me paraqitjen e ores 24-oreshe, por eshte i lidhur me kohematesin.

8.Menya automatike





- 1) Silini butonin  ne te djathte dhe zgjidhni menyne, do te paraqiten opsionet prej A-1 deri A-8.
 - 2) Shtypni "Start/+ 30 Sek./Konfirmo" qe te konfirmoni perzgjedhjen.
 - 3) Me butonin  zgjidhni peshen e caktuar, duke shikuar tabelen e menyse.
 - 4) Shtypni "Start/+ 30 Sek./Konfirmo" per vendosjen e peshes si ne tebele.
- Shembull: Nese deshironi qe me ane te menyse te zieni peshk, pesha e te cilit eshte 350 g.
- 1) Me ane te butonit  vendoseni A-6.
 - 2) Shtypni "Start/+ 30 Sek./Konfirmo" per konfirmimin e perzgjedhjes.
 - 3) Me butonin  zgjidhni peshen 350 g.
 - 4) Shtypni "Start/+ 30 Sek./Konfirmo" per fillim te zierjes.




Tabela menyse:

Meny	Pesha	Ne ekran
A-1	200 g	200
Pica	400 g	400
A-2	250 g	250
	350 g	350
Mishi	450 g	450
A-3	200 g	200
Perimet e gjelbera	300 g	300
	400 g	400
A-4	50g (me 450 ml uje te ftohte)	50
Pastat	100g(me 800 ml uje te ftohte)	100
A-5	200 g	200
Patatet	400 g	400
	600 g	600
A-6	250 g	250
Peshku	350 g	350
	450 g	450
A-7	1filxhan (120 ml)	1
Pijet	2 filxhana (240 ml)	2
	3 filxhana(360ml)	3
A-8	50 g	50
Kokoshkat	100 g	100

9. Përgatitja shumëshkallore e ushqimit

Mund të vendosni më së shumti dy shkallë të përgatitjes së ushqimit. Nëse në njërin pjesë përzgjidhni shkriroje, atëherë shkriroja do të jetë opcioni i parë automatik.

Shembull: Nëse së pari dëshironi të shkrini ushqimin 5 minuta, pastaj të zieni ushqimin 7 minuta, me 80 % të fuqisë mikrovalore, ndiqni këto hapa:


- 1) Shtypni dy herë butonin "Shkriroja pesha/ora", pastaj në ekran paraqitet shënimi "dEF2".
- 2) Me butonin  zgjidhni kohën e shkrijes 5:00.
- 3) Shtypni butonin " Mikro/Grill/Kombi. " një herë, në ekran paraqitet "P100".
- 4) Shtypni butonin " Mikro/Grill/Kombi. "një herë ose me butonin  zgjidhni 80 % të fuqisë mikrovalore.
- 5) Shtypni "Start/+ 30 Sek./Konfirmo" që të konfirmoni dhe në ekran paraqitet shënimi P 80.
- 6) Me butonin  zgjidhni kohën e zierjes 7:00.
- 7) Shtypni "Start/+ 30 Sek./Konfirmo" për fillim të zierjes, pastaj dëgjohet sinjali i zëshëm dhe koha e shkrijes fillon numërimin mbrapsht. Me kalimin në shkallën e dytë do të dëgjohet sinjali i zëshëm dhe koha e zierjes fillon. Kur të përfundojë zierja, do të dëgjojen pesë sinjale të njëpasnjëshme.

10. Funksioni i testimit

- (1) Gjatë punës së kombinuar të zierjes dhe pjekjes mikrovalore, shtypni butonin "Mikro/Grill/Kombi." Në ekran do të paraqitet fuqia aktuale për 3 sekonda ose mënyra e punës së pjekjes. Pas këtzre tre sekondave në ekran kthehet paraqitja e paraprake.
- (2) Gjatë rrotullimit në mënyrën e zierjes shtypni butonin "Koha e zierjes/Ora", në ekran për 3 sekonda do të tregohet ora e zierjes.

11. Funksioni i mbylljes për siguri të fëmijëve

Bllokimi:

Në gjendje gatishmërie shtypni butonin "Stop/Fshij" dhe mbane 3 sekonda, do të dëgjohet një sinjal i zëshëm i gjatë, i cili tregon se furra është e mbyllur. Në ekran do të paraqitet ora, nëse është e vendosur, nëse jo do të paraqitet shenja . Të gjithë treguesit do të bëjnë dritë.

Zhbllokimi:

Në gjendjen e mbyllur shtypni butonin "Stop/Fshij" dhe mbani 3 sekonda, do të dëgjohet sinjali i dytë i zëshëm, që do të thotë se furra është e hapur.

Problemi	Shkaktari i mundshëm	Riparimi
Furra nuk fillon të punojë.	(1) Kabloja e rrymës nuk është e vendosur siç duhet	Ckyqeni kabllon. Pastaj vendoseni prapë pas 10 sekondave.
	(2) Siguresa nuk punon.	Ndërroni siguresën (duhet të rregullohet nga personeli profesional i kompanisë tonë)
	(3) Problem me prizën.	Testoni prizën me pajisje të tjera elektrike.
Furra nuk ngroh.	(4) Dera nuk është e mbyllur mirë.	Mbylleni derën mirë.
Pjata rrotulluese bën zhurmë gjatë punës së furrës mikrovalore	(5) Rrethi rrotullues dhe furra të ndotur.	Shihni "Mirëmbajtjen e mikrovalës" për të pastruar pjesët e ndotura.

Normalisht	
E mikrovalëve ndërhyr me pritjen TV	Gjatë operacionit mikrovalë mund të ndërhyjë me radio dhe pritjen TV. Kjo është e ngjashme me ndërhyrjen e pajisje shtëpiake të vogla, të tilla si miksera, pastruesit vakum dhe tharëse flokësh. Kjo është normale.
Drita e zeze në furrë	Kur të ulët të energjisë gatim mikrovalë, furrë të lehta mund të bëhen të errët. Kjo është normale.
Në derë, lagështi kondensuar nga goja vjen ajri të nxehtë	Gjatë gatimit të ushqimit mund të dalë avull. Shumica do të shkojnë nëpërmjet hapjeve të ventilimit, ose pjesë e tij mund të kondensohet në vende të ftohta të tilla si derën e furrës. Kjo është normale.
Furra filluar aksidentalisht pa ushqim në të	Është e ndaluar për të përdorur bosh furrë. Kjo është shumë e rrezikshme. Menjëherë të fikur.

Në kuadër të Direktivës së Mbeturinave të Pajisjeve Elektrike dhe Elektronike, mbeturinat elektrike duhet të mblidhen dhe trajtohen veçmas. Nëse në çdo kohë në të ardhmen ju duhet të hidhni këtë produkt ju lutemi MOS e hidhni këtë produkt me mbeturinat shtëpiake. Ju lutemi dërgoni këtë produkt tek pikat e grumbullimit të mbeturinave elektrike ku është e mundur.





IMWH- GD202IX

MANUAL DO USUÁRIO FORNO DE MICRO-ONDAS

Antes de utilizar este equipamento, leia atentamente este manual de instruções e mantenha o mesmo para futuras consultas. Se seguir estas instruções, o seu forno de micro-ondas funcionará por muito tempo.

LEIA O MANUAL DE INSTRUÇÕES ATENTAMENTE

PARA EVITAR A SOBRE-EXPOSIGÃO DE MICRO-ONDAS:

- (a) Não utilize este aparelho com a porta aberta para impedir a sobre-exposição de micro-ondas. É importante não quebrar nem girar cintos de segurança
- (b) Não mantenha nada em frente da porta do forno, não deixe a sujeira ou detergentes se acumular nos bloqueadores de porta
- (c) **ATENÇÃO:** Caso a porta ou bloqueadores de porta estiverem estragados, não utilize o forno até técnicos autorizados o substituírem.

O ADDENDO

Caso o equipamento não manter limpo, pode causar problemas com funcionalidade e superfícies do forno. E afetar a vida útil do aparelho e levar a uma situação perigosa.

Specificações:

Modelo:	IMWH-GD202IX
Frequência:	230V~50Hz
Potência requerida (microondas):	1250W
Potência de saída (microondas):	800W
Potência requerida (grelha):	1000W
Capacidade do forno:	20L
Diâmetro do prato giratório:	Ø 245mm
Dimensões da cavidade:	595x343.5x388mm
Peso:	Approx. 15 kg

INSTRUÇÕES DE SEGURANÇA IMPORTANTES ATENÇÃO

Para evitar possível risco de choque elétrico, incêndio, lesões ou sobre-exposição de micro-ondas, siga as precauções básicas de segurança:

1. Atenção: Líquidos e outros alimentos não aqueça em recipientes fechados, pois podem explodir
2. Atenção: Remoção da cobertura que proteja da exposição de microondas pode

ser perigosa para qualquer pessoa não qualificada

3. O equipamento pode ser utilizado por crianças menores de 8 anos e por pessoas com capacidades físicas, sensoriais ou mentais reduzidas, ou por pessoas com falta de experiência e conhecimento, e menos que tenham recebido instruções referentes à utilização do aparelho ou estejam sob supervisão de uma pessoa responsável. As crianças não devem brincar com o equipamento. Limpeza e manutenção não deve ser feita pelas crianças menores de 8 anos e sem a vigilância.

4. Mantenha o aparelho e o seu cabo a distância de crianças com menos de 8 anos.

5. Somente utilize louça adequada para micro-ondas

6. Regularmente limpe o forno e remova sujidade

7. Leia e siga "PRECAUÇÕES PARA EVITAR SOBRE-EXPOSIÇÃO DE MICRO-ONDAS".

8. Quando aquecer alimentos em louça de plástico ou de papel, preste atenção no forno por causa de incêndio

9. Se observar fumo ou fogo, mantenha a porta fechada, de modo a abafar as chamas. Desligue o aparelho ou desconecte-o da tomada elétrica.

10. Não cozinhe alimento demasiado.

11. Não utilize o interior do aparelho como armazenamento. Não armazene ingredientes como pão, bolos dentro do forno.

12. Antes de colocarem no forno, remova grampos e alças de metal de recipientes/sacos de metal ou papel

13. Instale ou coloque este forno somente de acordo com as instruções anexados

14. Os ovos com casca e os ovos cozidos inteiros não devem ser aquecidos em fornos micro-ondas porque podem explodir, ainda depois de desligar o aparelho.

15. Este aparelho é para utilização doméstica e em edifícios similares, tais como:

- cozinhas para pessoal, oficinas e ambientes de trabalho similares

- hotéis, motéis e ambientes similares

- quintas;

- alojamentos

16. Caso o cabo de alimentação estragar, deve ser substituído pelo fabricante,

- agente de assistência ou por uma pessoa qualificada para evitar qualquer perigo
17. Não mantenha e não utilize este aparelho no exterior
 18. Não utilize este forno perto da água, locais úmidos ou piscinas
 19. Durante a utilização a temperatura pode ser alta. Mantenha o cabo de alimentação longe dessas superfícies e não cubra as aberturas no forno.
 20. Não permita que o cabo de alimentação pendure sobre bordas ou superfície de trabalho
 21. Caso o equipamento não mantenha limpo, pode causar problemas com funcionalidade e superfícies do forno
 22. Para evitar queimaduras, o alimento para bebê em frascos ou garrafas mexe ou agite bem para que o calor se distribua de modo uniforme.
 23. Aquecimento dos líquidos no forno de micro-ondas pode resultar em ebulição dentro do aparelho. Por isso deve prestar atenção quando usar recipientes com líquido.
 24. O equipamento não deve ser utilizado por pessoas (inclusive crianças) com capacidades físicas, sensoriais ou mentais reduzidas, ou por pessoas com falta de experiência e conhecimento, e menos que tenham recebido instruções referentes à utilização do aparelho ou estejam sob supervisão de uma pessoa responsável.
 25. As crianças devem ser vigiadas para não brincarem com o equipamento
 26. O aparelho não se destina ao controle por temporizador externo ou uso de controle remoto.
 27. Durante a utilização as partes do aparelho podem aquecer. Mantenha as crianças fora do aparelho para não se queimarem
 28. Não limpe com limpadores de vapor
 29. Durante a utilização o aparelho aquece. Preste atenção não tocar superfícies quentes.
 30. Só use a sonda de temperatura recomendada para este forno. (Para fornos providos com uma instalação para usar uma sonda sensível à temperatura).
 31. **ATENÇÃO:** O aparelho e superfícies aquecem quando os utiliza. Deve evitar a tocar superfícies quentes. Mantenha o aparelho fora de alcance das crianças menores de 8 anos
 32. Durante a utilização, a porta decorativa deve estar aberta (para fornos com porta

decorativa)

33. A superfície de uma gaveta de armazenamento pode ficar quente.

34. O forno de microondas destina-se ao aquecimento de alimentos e bebidas. A limpeza de alimentos ou vestuário e o aquecimento de almofadas de aquecimento, chinelos, esponjas, pano úmido e semelhantes podem levar ao risco de ferimentos, ignição ou incêndio.

LEIA ATENTAMENTE E MANTENHA PARA FUTURAS CONSULTAS

Para reduzir o risco de danos físicos para as pessoas

A ligação á terra

PERIGO

Risco de choque elétrico.

Tocar algumas partes pode causar prejuízos graves ou morte.

Não desmonte este aparelho.

ATENÇÃO

Risco de choque elétrico.

Ligação de terra incorreta pode causar choque elétrico. Não conecte o aparelho na tomada antes de o instalar e ligar á terra. Não conecte uma tomada até que o aparelho esteja devidamente instalado e aterrado.

Este aparelho deve estar ligado á terra. No caso de sobretensão elétrica, a ligação á terra reduz risco de choque elétrico.

Este aparelho vem com um cabo de ligação á terra e um plugue. O plugue deve estar ligado numa tomada adequada e bem instalada. Por favor, consulte electricista qualificado ou uma pessoa responsável se não atende as instruções de ligação á terra ou se não está seguro de que o aparelho estiver ligado corretamente.

Se utiliza cabo de extensão, utilize somente o cabo de extensão com três fios.

1. O cabo do aparelho é curto para reduzir os riscos de emaranhamento ou tropeços

2. Se utiliza o cabo de alimentado longe ou cabo de extengao:
 - 1) A capacidade elétrica nominal do cabo de alimentado ou cabo de extengao deve ser igual ou superior á capacidade elétrica nominal do seu aparelho.
 - 2) O cabo de extensao deve ser um cabo de 3 fios de aterramento.
 - 3) O cabo de extengao deve ser posicionado de modo que nao fique pendurado na borda da superficie de trabalho ou mesa onde as mangas possam puxar ou tropepar acidentalmente

LIMPEZA

É obrigatório desligar o forno da tomada elétrica.

1. Depois de utilizagao limpe o interior com pano molhado atentamente..
2. Limpo os acessórios com espuma em intervalos regulares.
3. Moldura de porta, bloqueadores e os acessórios sujos limpe com o pano molhado atentamente.
4. Nao utilize produtos de limpeza abrasivos fortes ou raspadores metalicos para limpar a janela do forno. Isso pode arranhar o superficie ou quebrar a janela.
5. AVISO PARA LIMPEZA --- Para facilitar a limpeza das paredes da cavidade que os alimentos cozidos podem tocar: Coloque metade de um limao em uma tigela, adicione água de 300 ml (1/2 litro) e aquepa 100% de energia de microondas por 10 minutos. Limpe o forno com um pano macio e seco.

ATENÇÃO

Riscos de lesoes

É perigoso para qualquer pessoa que nao seja uma pessoa competente realizar qualquer operagao de manutengao ou reparagao que implique a remogao de uma cobertura que proteja contra a exposigao á energia de microondas.

Leia instrugoes sobre “Materiais que pode utilizar ou que dever ser evitados”. Podem existir certos utensilios nao-metálicos que sao perigosos para uso em forno de microondas. Na dúvida, testar o utensilio em questao seguindo as instrugoes abaixo.

Testo de utensílio:

1. Encha o utensílio com um copo da água fria (250ml).
2. Cozinhe na potência máxima 1 minuto.
3. Atentamente toque o utensilio. Se o utensilio aquecido está vazio, nao o utilize para cozinhar no micro-ondas
4. Nao exceda 1 minuto.

Materiais que podem ser utilizados em forno de micro-ondas

Materiais	Observações
Papel Alumínio	Apenas como proteção. Pequenos pedaços podem ser usados para cobrir peças de carne ou frango, para evitar que cozinhem demais. Esses pedaços podem arquear ou soltar faíscas se estiverem muito próximos das paredes do forno. O papel alumínio deve ficar, pelo menos, 2,5 cm longe das paredes do forno
Prato de cerâmica	Siga as instruções do fabricante. O fundo do prato de cerâmica deve ficar, pelo menos, 5 mm do prato giratório. O uso incorreto pode resultar na quebra do prato.
Pratos de louça	Apenas os que forem seguros para microondas. Siga as instruções do fabricante. Não use louça partida ou lascada.
Jarras de vidro	Remova sempre a tampa. Utilize sempre até que o alimento fique morno. A maioria das jarras de vidro não resistem a temperaturas altas e podem quebrar.
Loiça de vidro	Apenas aquilo que for resistente a altas temperaturas. Certifique-se de que não há borda de vidro. Não utilize nada trincado ou lascado.
Sacos para cozimento	Siga as instruções do fabricante. Não feche com fios de metal. Faça furos para permitir a saída do vapor.
Copos e pratos de papel	Utilize apenas para cozimento rápido/pouco aquecimento. Não deixe sem a vigiância
Toalhas de papel	Utilizadas para cobrir os alimentos no reaquecimento ou para absorção de gordura. Utilize apenas com a vigiância e por um período curto de tempo
Papel pergaminho	Utilize para cobrir e evitar que o alimento espirre ou para embrulhar o alimento para cozimento no vapor.
Plástico	Apenas os recomendados para uso em micro-ondas. Siga as instruções do fabricante. Deve ter etiqueta que indique "Seguro para uso em Microondas". Alguma louça de plástico se amolece, quando os alimentos dentro dela se aquecem.

Sacos plásticos para cozinhar	Devem furar ou abrir o saco plástico seguindo as instruções.
Filme plástico	Apenas os recomendados para uso em micro-ondas. Utilizados para cobrir alimentos durante o cozimento, para reter a umidade. Não deixe que o filme plástico toque o alimento.
Termômetro	Apenas os recomendados para uso em micro-ondas (para carne e doces)
Papel encerado	Utilizado como a cobertura para prevenir espirros e reter a umidade.

Materiais que devem ser evitados em forno de micro-ondas

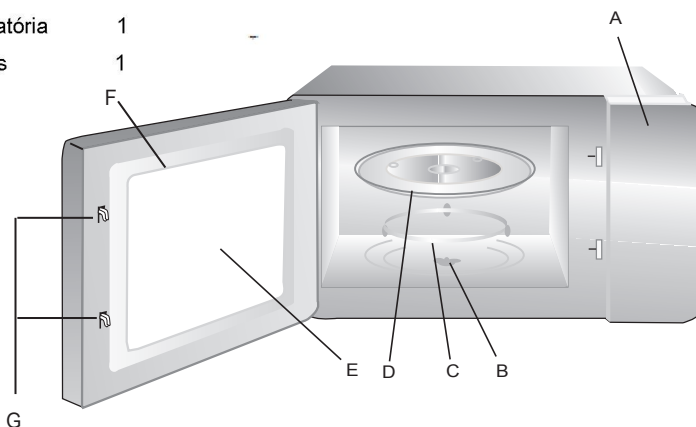
Materiais	Observações
Bandeja de alumínio	Podem soltar fâscas. Coloque alimento na loiça do forno de micro-ondas.
Loiça com alças de metal	Podem soltar fâscas. Coloque alimento na loiça do forno de micro-ondas.
Loiça de metal ou com bordas de metal	O metal protege o alimento das micro-ondas. As bordas de metal podem soltar fâscas.
Fios de metal para fechar embalagens	Podem soltar fâscas e provocar um incêndio dentro do forno.
Sacos de papel	Podem soltar fâscas e provocar um incêndio dentro do forno.
Espuma de plástico	A espuma de plástico pode derreter e contaminar o líquido dentro, se exposto à alta temperatura.
Madeira	Madeira - pode secar dentro do forno e rachar ou se quebrar.

INSTALAÇÃO DO FORNO DE MICRO-ONDAS

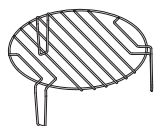
Nomes das partes e acessórios

Remova toda a embalagem e os acessórios do interior do forno.
Os acessórios anexados ao forno de micro-ondas:

- Prato de vidro 1
- Haste giratória 1
- Instruções 1



- A. Painel de control
- B. Base para girar
- C. Haste giratória
- D. Prato de vidro
- E. Janela para observação
- F. Porta
- G. Sistema interno de travas de segurança



Grelha (Utilize apenas em função do grelhador e colocá-lo na bandeja de vidro)

Instalação do prato giratório

Lado médio (inferior)



- a. Nunca coloque o prato de vidro de cabeça para baixo. O prato de vidro não deve ficar bloqueado.
- b. Tanto o prato de vidro como o suporte giratório deve ser sempre usado
- c. No cozimento, todos os alimentos e loiça deve ser posicionados em cima do prato de vidro.
- d. Se o prato de vidro ou o suporte giratório racharem ou se quebrarem, entrar em contato com o centro de serviço autorizado mais próximo.

instalação e conexão

- 1. Este aparelho destina-se apenas a uso doméstico.**
- 2. Este forno destina-se apenas a uso incorporado. Bancada Este forno destina-se apenas a uso incorporado. Não se destina ao uso na bancada da cozinha ou para uso dentro de um armário.**
- 3. Observe as instruções especiais de instalação.**
- 4. O aparelho pode ser instalado em um armário de parede de 60cm de largura.**
- 5. O aparelho está equipado com um plugue e só deve ser conectado a uma tomada conectada à terra e instalada corretamente.**
- 6. A tensão da rede deve corresponder à tensão especificada na placa de características.**
- 7. O soquete deve ser instalado e o cabo de conexão só deve ser substituído por um electricista qualificado. Se a ficha já não for acessível após a instalação, deverá haver uma separação de contato de 3mm em todos os polos.**
- 8. Não devem ser utilizados adaptadores, tiras múltiplas e extensões. A sobrecarga pode resultar em risco de incêndio**

A superfície acessível pode estar quente durante a operação.



Instruções de instalação

Leia o manual com cuidado antes da instalação

Por favor, note

Conexão elétrica

O forno está equipado com uma ficha e só deve ser conectado a uma tomada conectada a terra e instalada corretamente. A tomada só deve ser instalada e o cabo de ligação só deve ser substituído por um electricista qualificado e de acordo com os regulamentos apropriados.

Se a ficha já não for acessível após a instalação, deverá haver uma separação de contato de 3mm em todos os polos.

O armário ajustado não deve ter uma parede traseira atrás do aparelho.

Deve ser mantido um espaço entre a parede e a base da unidade acima. Os dimensões específicas da lacuna pode ser referenciado pelos diagramas.

Altura mínima de instalação: 85 cm.

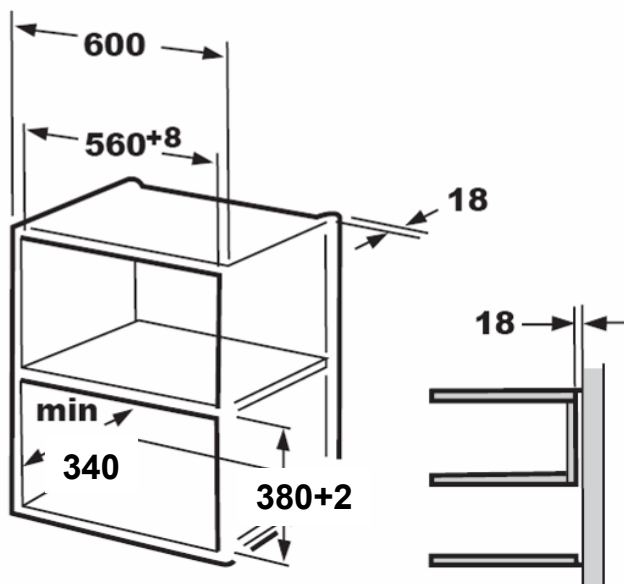
Não cubra as aberturas de ventilação e os orifícios de sucção.

Nota:

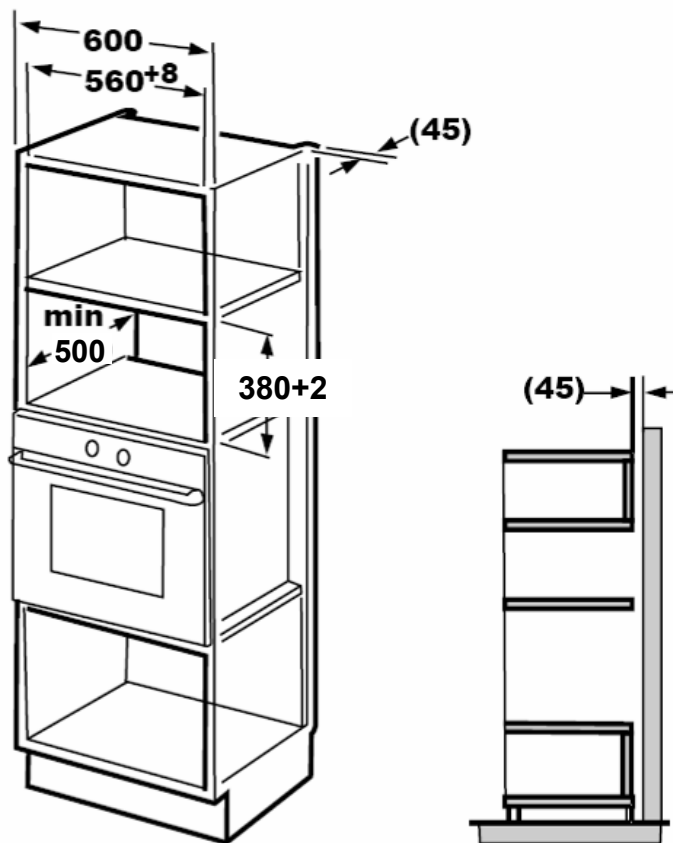
Não prenda nem dobre o cabo de alimentação.

A. Móveis embutidos

1.



2.

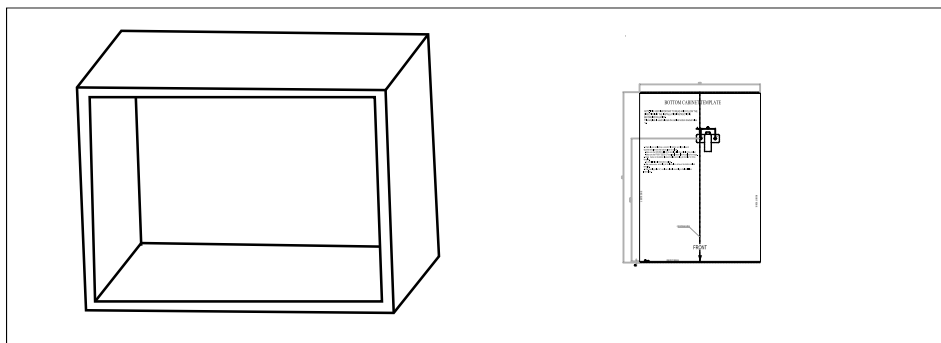


Nota:

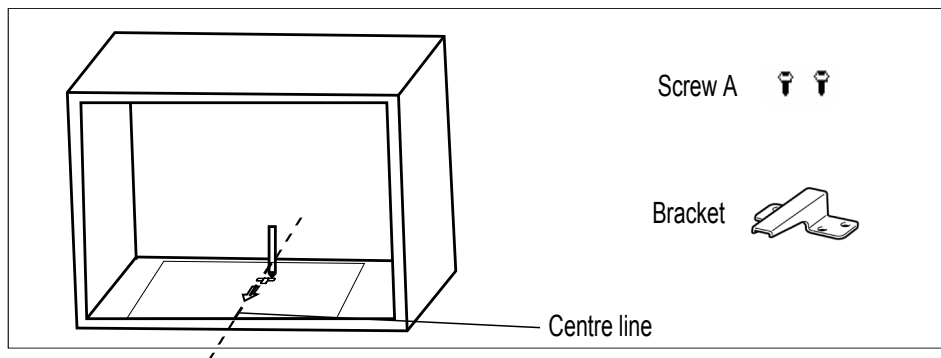
O suporte e modelo do gabinete inferior são necessários quando instalados em ambas as instalações.

B. Prepare o armário

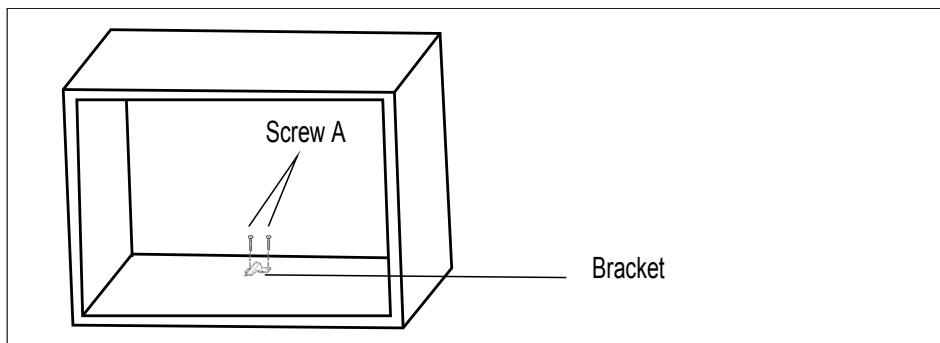
1. Leia as instruções no MODELO GABINETE INFERIOR, coloque o modelo no plano inferior do gabinete.



2. Faça as marcas no plano inferior do armário de acordo com as marcas "a" do modelo



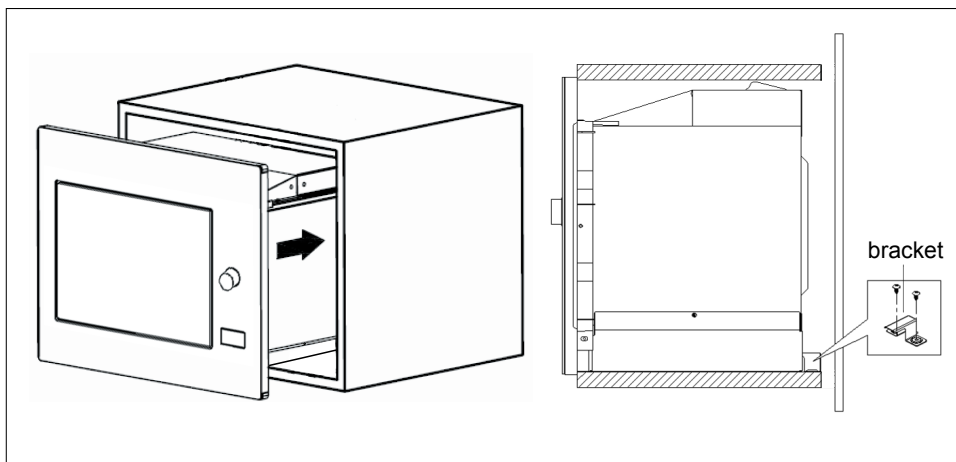
3. Remova o modelo gabinete inferior e fixe o suporte com o parafuso A.



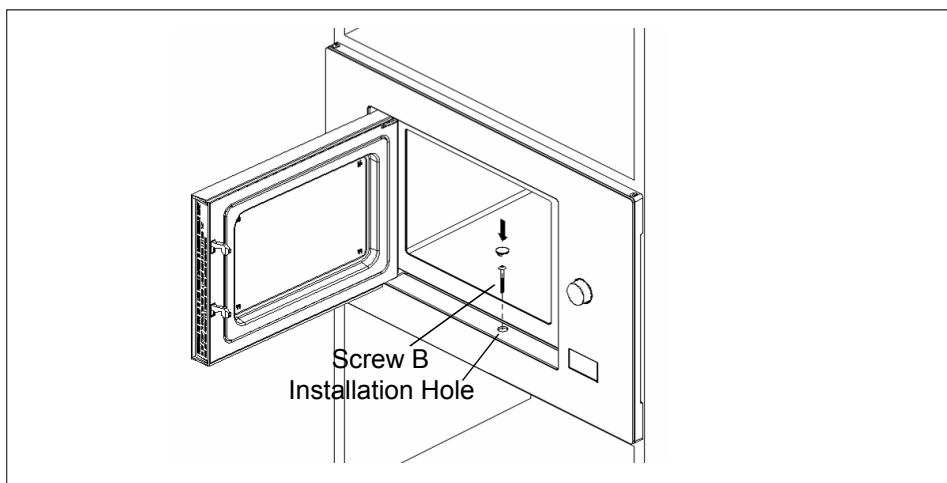
C .Instale o forno

4. Instale o forno no armário

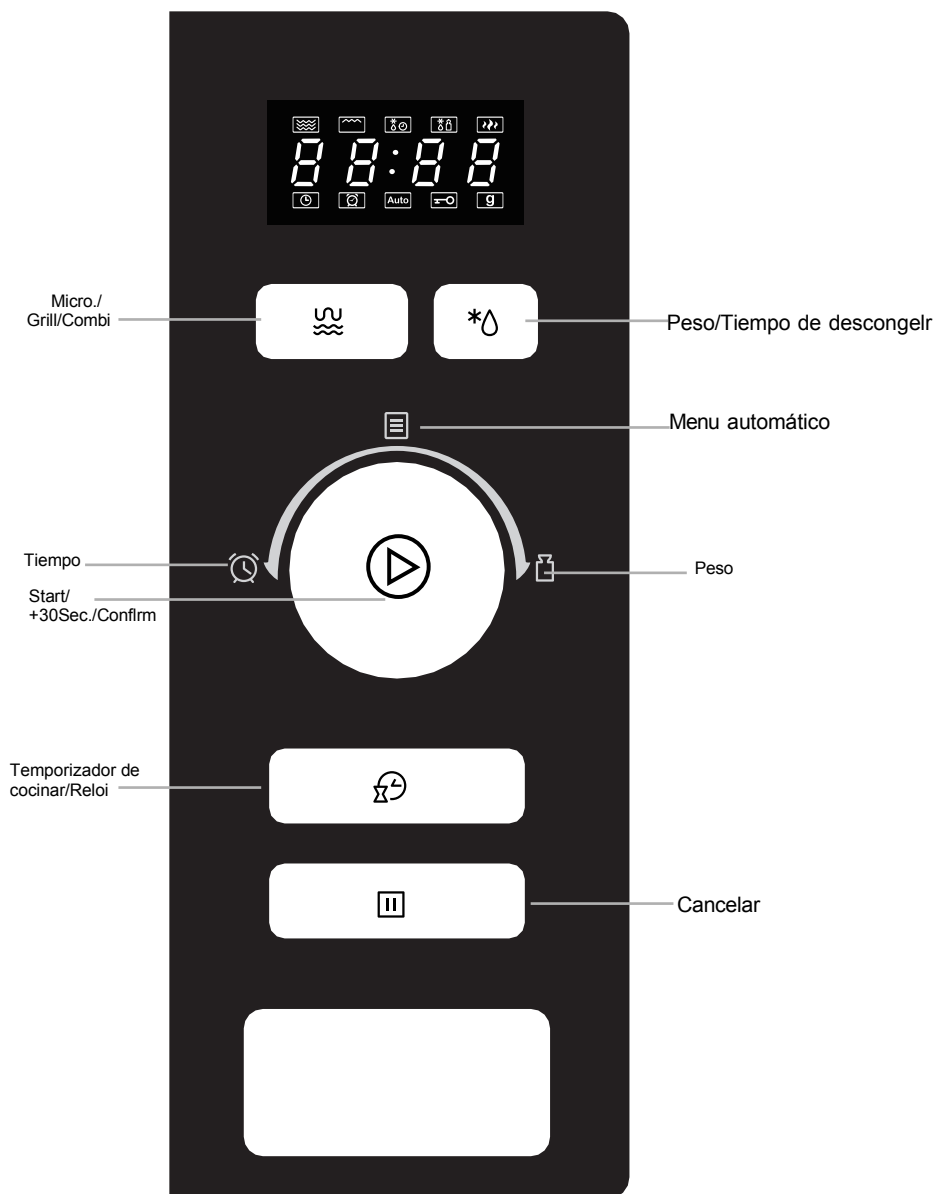
- Certifique-se de que a parte de trás do forno esteja bloqueada por suporte.
- Não prenda ou torga o cabo de alimentação.



5. Abra a porta, coloque o forno no armário com o parafuso B, no orifício de instalagao. Em seguida, fixam a tampa de plástico no orifício de instalagao.



Painel de controle




Instruções de operação


1. Configuração do relógio

Quando o forno de microondas está eletrificado, a tela exibirá "0:00", o buzzer tocará uma vez.

1) Pressione "Temporizador / Relógio de Cozinha" duas vezes para selecionar a função do relógio, as figuras das horas piscarão.

2) Gire  para ajustar as figuras da hora, o tempo de entrada deve estar entre 0-23.

3) Pressione "Temporizador / Relógio de Cozinha", os números dos minutos piscarão.



4) Gire  para ajustar os dígitos dos minutos, o tempo de entrada deve estar dentro de 0--59.

5) Pressione "Temporizador / Relógio de Cozinha" para concluir a configuração do relógio. "." piscará, e o tempo se acenderá.

Nota: 1) Se o relógio não estiver configurado, não funcionará quando alimentado.


2) Durante o processo de ajustamento do relógio, se você pressionar "Cancela", o forno voltará ao estado anterior automaticamente.

2. Cozinhando com o Micro-ondas


Pressione "Micro./Grill/Combi", a tela mostrará "P100". Pressione "Micro./Grill/Combi." às vezes ou gire  para escolher a energia de microondas desejada e "P100", "P80", "P50", "P30" ou "P10" será mostrado para cada pressão adicionada. Em seguida, pressione "Iniciar / + 30Sec./Confirm" para confirmar e girar  para definir o tempo de cozimento a partir de 0:05 até às 95:00. Pressione "Iniciar / + 30Sec. / Confirmar" novamente para começar a cozinhar.

Exemplo: se você quiser usar 80% de energia de microondas para cozinhar por 20 minutos, você pode operar o forno seguindo os passos.

1) Pressione "Micro./Grill/Combi." uma vez, a tela mostrará "P100".

2) Pressione "Micro./Grill/Combi." mais uma vez ou gire  para escolher 80% de energia de microondas.

3) Pressione "Iniciar / + 30Sec. / Confirm" para confirmar, e a tela mostrará "P 80".

4) Gire  para ajustar o tempo de cozimento até que o forno apresente "20:00".

5) Pressione "Iniciar / + 30Sec./Confirmar" para começar a cozinhar.



Nota: as quantidades de passos para o tempo de ajustamento do interruptor de codificação são as seguintes:

0—1 min	5 segundos
1—5min	10 segundos
5 — 10 min	30 segundos
10—30min	1 minutos
30—95 min	5 minutos



"Micro./Grill/Combi."

Ordem	Exibicao de instrugões	Poder de microondas	Poder da grelha
1	P 100	100%	
2	P 80	80%	
3	P 50	50%	
4	P 30	30%	
5	P 10	10%	
6	G	0%	100%
7	C-1	55%	45%
8	C-2	36%	64%

3 Grelha ou cozinha combinada


Pressione "Micro./Grelha/ Combi." A tela mostrará "P100" e pressione "Micro./Grelha/Combi. " as vezes ou gire "  "para escolher a energia desejada e " G ", " C-1 "ou" C-2 " será mostrado para cada pressao adicionada. Em seguida, pressione "Iniciar / + 30Sec. / Confirm." para confirmar e gire "  " para ajustar o tempo de cozimento a partir de 0:05 até as 95:00. Pressione "Iniciar / + 30Sec. / Confirmar" novamente para comegar a cozinhar.

Exemplo: Se você quisereis usar 55% de energia de microondas e 45% de energia de grelha (C-1) para cozinhar por 10 minutos, você pode operar o forno seguindo os passos.


- 1) Pressione "Micro ./Grelha / Combi." uma vez, a tela mostrará "P100".
- 2) Pressione "Micro./Grelha / Combi." as vezes ou gire "  " para escolher combi. 1 modo.
- 3) Pressione "Start / + 30Sec. / Confirm." para confirmar, e a tela mostrará "C-1".
- 4) Gire "  " para ajustar o tempo de cozedura até que o forno apresenta "10:00".
- 5) Pressione "Iniciar / + 30Sec./Confirmar" para comegar a cozinhar.

Nota: Se a metade do tempo do grelhador passa, o forno soa duas vezes, e isso é normal. Para ter um melhor efeito de comida grelhada, você deve girar a comida, fechar a porta e, em seguida, pressionar "Iniciar / + 30Sec./Confirmar" para continuar a cozinhar. Caso nenhuma operagao, o forno continuará a funcionar.


4. Início rápido

- 1) No modo de espera, pressione "Iniciar / + 30Sec. / Confirmar" para comegar a cozinhar com 100% de potência, cada pressione adicionada aumentará 30 segundos de tempo de cozimento até 95 minutos.
- 2) No microondas, na grelha, no cozimento combinado ou no tempo de descongelagao, cada pressao de "Iniciar / + 30Sec. / Confirmar" pode aumentar 30 segundos de tempo de cozedura.
- 3) No modo de espera, gire "  "para definir o tempo de cozimento com 100% de energia de microondas, depois pressione" Iniciar / + 30Sec./Confirmar"para comegar a cozinhar.


5 Descongelamento por peso

- 1) Pressione "Peso / Tempo descongelado" uma vez, e o forno mostrará "dEF1".
- 2) Gire "  " para seleccionar o peso de alimento da 100 a 2000 g.
- 3) Pressione o botao "Start / + 30 seg. / Confirmar" para iniciar o descongelado.

6 Descongelamento por Tempo

- 1) Pressione "Peso / Tempo descongelado " duas vezes, e o forno mostrará "dEF2".
- 2) Gire "  " para seleccionar o tempo de descongelado. O tempo máximo é 95 minutos.
- 3) Pressione o botao "Start / + 30 seg. / Confirm." para iniciar o descongelamento. O poder de descongelamento é P30, e nao vai ser alterado.


7 Temporizador de cozimento

- (1) Pressione " Temporizador de cozimento / relógio " uma vez, a tela mostrará 00:00.
- (2) Gire "  " para entrar no temporizador correto. (O tempo máximo de cozimento é 95 minutos).
- (3) Pressione "Iniciar / + 30Sec. / Confirmar" para confirmar a configurado.
- (4) Quando tempo de cozimento é alcanzado, o indicador do temporizador desligará. A campainha tocará 5 vezes.


Se o relógio está configurado (sistema de 24 horas), a tela mostrará a hora atual.

Nota: A hora da cozimento é diferente do sistema de 24 horas, o temporizador de cozimento é um temporizador.

8 Menu automático

- 1) Gire a direita para escolher o menu, e de "A-1" para "A-8".
- 2) Pressione "Iniciar / + 30Sec. / Confirmar" para confirmar.
- 3) Gire  para escolher o peso predefinido como o gráfico de menu.
- 4) Pressione "Iniciar / + 30Sec / Confirmar" para comegar a cozinhar.

Exemplo: Se você quiser usar "Menu Automático" para cozinhar peixe por 350g.

- 1) Gire no sentido horário até a exibigao "A-6"
- 2) Pressione "Iniciar / + 30Sec. / Confirmar" para confirmar.
- 3) Gire "  " para selecionar o peso do peixe até a "350" será mostrado.
- 4) Pressione "Iniciar / + 30Sec. / Confirmar" para comegar a cozinhar.




O gráfico do menu:

Menu	Peso	Display
A-1	200 g	200
Pizza	400 g	400
A-2	250 g	250
Carne	350 g	350
	450 g	450
A-3	200 g	200
Vegetal	300 g	300
	400 g	400
A-4	50g(com 450 ml água fria)	50
Massa	100g(com 800 ml água fria)	100
A-5	200 g	200
Batata	400 g	400
	600 g	600
A-6	250 g	250
Peixe	350 g	350
	450 g	450
A-7	1 copo(120 ml)	1
Bebida	2 copos(240 ml)	2
	3 copos(360ml)	3
A-8	50 g	50
Pipoca	100 g	100

9) Cozimento multi-segao

No máximo, 2 segoes podem ser configuradas para cozinhar. Na cozedura multi-segao, se uma segao esteve descongelagao, entao a descongelagao será colocada na primeira segao automaticamente.

Exemplo: Se você quisera descongelar alimentos por 5 minutos e depois cozinhar com 80% de energia de microondas por 7 minutos, operá-lo como o seguinte:

- 1) Pressione "Peso/Tempo de descongelamento" duas vezes e o forno mostrará "dEF2".
- 2) Gire "  " para selecionar o tempo de descongelamento até a exibicao do "5:00".
- 3) Pressione "Micro./Grill/Combi" uma vez, a tela mostrará "P100".
- 4) Pressione o poder, pressione "Micro./Grill/Combi". mais uma vez ou "  " para escolher 80% de microondas
- 5) Pressione "Iniciar / + 30Sec. / Confirmar "para confirmar, e a tela exhibe" P 80 ".
- 6) Gire "  " para ajustar o tempo de cozedura até o forno mostra "7:00".
- 7) Pressione "Iniciar / + 30Sec. / Confirmar" para comepar a cozinhar e o som será emitido uma vez para a primeira sepao, o tempo de descongelado será reduzido; A campainha soará novamente entrando no segundo cozimento. Quando terminará a cozedura, a campainha soa cinco vezes.

10. Inquiring Function

(1) Nos estados de microondas, grelhadores e cozinhas combinadas, pressione "Micro./Grelha/Combi.", o tipo atual de energia ou grill será exibido por 3 segundos. Após 3 segundos, o forno voltará ao estado anterior;

(2) No estado de cozimento, pressione " Temporizador de cozimento / relógio " para saber o tempo e o horário será exibido por 3 segundos.

11. Fungao de bloqueio para changas

Para bloquear: no estado de espera, pressione " Parar / Limpar " por 3 segundos, haverá um sinal sonoro longo, indicando o ingresso no estado de bloqueio de crianças e a hora atual será exibida se a hora esteve configurada, caso contrário, a tela exibirá " [: :] ". E as luzes indicadoras de bloqueio vão a iluminar.

Parando o bloqueio: em estado bloqueado, pressione "Parar / Limpar" por 3 segundos, haverá um "sinal sonoro" longo, indicando que o bloqueio é liberado.

Solução de problemas

Normal	
Micro-ondas interfere com sinal de televisão	Durante da utilização micro-ondas pode interferir com recepções rádio e TV. É semelhante à interferência de eletrodoméstico, tais como batedeira, aspiradores, secador. Isso é normal.
Luz fraca no forno	Durante do cozimento com potência baixa, a luz do forno pode ficar fraco. Isso é normal.
Na porta do forno a umidade condensa, vapor saia da abertura	Durante de cozimento vapor pode sair do alimento. A maioria sairá através da abertura, mas a parte pode condensar em lugares mais frios, tal como a porta de micro-ondas. Isso é normal.
O forno está ligado por acidente sem alimento	É rigorosamente proibido utilizar o forno vazio. Pode ser perigoso. Desligue-o imediatamente.

Problema	Motivo possível	Solução
O forno não liga	(1) O cabo de alimentação não está conectado adequadamente	Desconecte o cabo e conecte-o novamente após 10 segundos
	(2) Fusível avariado	Substitua o fusível
	(3) Problema com tomada elétrica	Teste a tomada com outros eletrodomésticos
Forno não aquece	(4) A porta não está bem fechada	Feche bem a porta
Prato de vidro faz barulho durante da utilização do forno	(5) Anel giratório e fundo do forno estão sujos	Sobre limpeza, leia "Manutenção do forno de micro-ondas"



De acordo com a Directiva sobre Resíduos de Equipamentos Elétricos e Eletrônicos (WEEE), os REEE devem ser coletados e tratados separadamente. Se, em qualquer momento do futuro, você precisa descartar este produto, NÃO ELIMINE este produto com lixo doméstico. Envie este produto para os pontos de coleta de REEE, quando disponíveis.