



GBR

SRB

OH-4309/4311

OPERATING INSTRUCTIONS OIL RADIATOR
UPUTSTVO ZA UPOTREBU ULJANI RADIJATOR



GBR

OH-4309/4311

OPERATING INSTRUCTIONS OIL RADIATOR

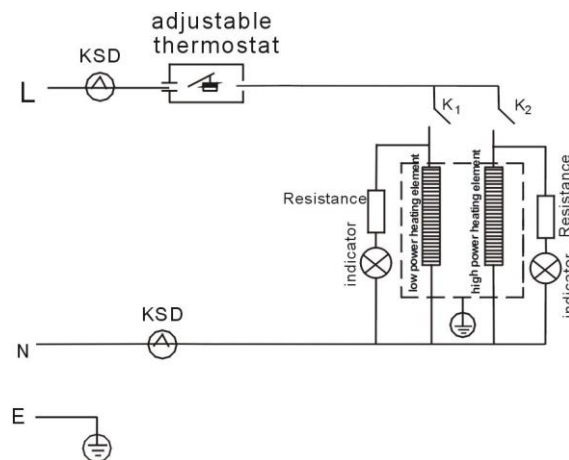
Usage:

1. There are two power switches, you can adjust them on your requirement.
2. Please make sure that the rated voltage is suitable and the rated electric current is not lower than 10A.
3. When using, turn the temperature switch deasil to the max position and the room temperature will rise higher and higher.
4. If the room temperature is too high during use and you want to lower it, adjust the switch to “middle” or “low” position.
5. During use the radiator will keep the required temperature, when the room temperature gets to the require temperature the radiator will stop automatically. When the room temperature is lower than required, the radiator will start working automatically.
6. Turn off the thermostat knob, the indicator light will be off.

Technical parameters:

Model	Rated voltage	Rated frequency	Rated power	Specification	Protection against electricity category
CR403-7	230V	50Hz	1500W	7pieces	I
CR403-9	230V	50Hz	2000W	9pieces	I
CR403-11	230V	50Hz	2500W	11pieces	I

Electric Drawing



Oil Radiator Instruction Manual

- Please read this manual carefully before using your oil radiator, so that you can use it correctly.
- Please keep this manual handy for future reference.

Brief Introduction of the Product

The Oil Radiators adopt the electron thermal-tube as heating element to heat the oil sealed in. This series of product has the features as high quality and long using life. It is suitable for family and office.

Feature:

1. High quality and long using life.
2. High efficiency heating oil sealed in, quickly heating, without peculiar smell, without noise.
3. There is one knob switches and change into three different power.
4. There is temperature fuse to prevent overheating.
5. Convenient to use and easy to collect.
6. Truckled design, easy to move.

Notes:

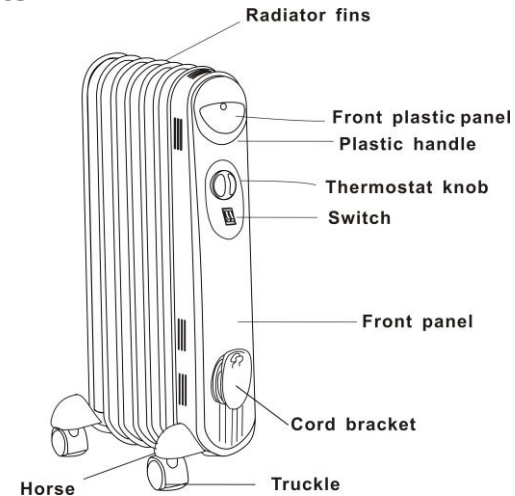
1. The radiator should be placed on flat ground. You must not place it precipitately or tipsily.
2. Please do not use the radiator in a place full of combustibile or explosive gas, bathroom or a shower or a swimming pool.
3. For your safety, do not put your hand or stick into the hole or slot of the radiator. (Especially for children).
4. When in use, the distance between the radiator and the wall and any other objects should be above 20cm. Within 1m above its top there should not be any other thing for the gas convection.

Warning: The radiator must not be located immediately below a socket-outlet.

5. Please do not use the same electrical outlet with any other appliance.
6. In order to avoid overheating, do not cover the heater. If you want to clean the radiator, please unplug it first.
7. This radiator is filled with a precise quantity of special oil. Repairs requiring opening of the oil container are only to be made by the manufacturer or a service agent who should be contacted if there is an oil leakage.
8. Regulations concerning the disposal of oil when scrapping the appliance have to be followed.
9. If the supply cord is damaged, it must be replaced by the manufacturer or its service agent or a similarly qualified person in order to avoid hazard.
10. If nobody is in, please unplug the appliance.
11. While the radiator is in use, please do not open the door or window continually otherwise it will influence the heating effect.
12. The appliance can be used by children aged from 8 years and above and persons with reduced physical, sensory or mental capabilities or lack of experience and knowledge if they have previously been given supervision or instruction concerning use of the appliance in a safe way and understand the hazards involved. Children must not play with the appliance. Cleaning and user maintenance shall not be done by children without supervision.
13. Children younger than 3 years should be kept away unless continuously supervised.
14. Children aged from 3 years and less than 8 years shall only switch on/off the appliance provided it has been placed or installed in its intended normal operating position and they have been given supervision or instruction concerning use of the appliance in a safe way and understand the hazards involved. Children aged from 3 years and less than 8 years shall not plug in, regulate and clean the appliance or perform user maintenance.

CAUTION — Some parts of this product can become very hot and cause burns. Particular attention has to be paid when children and vulnerable people are present.

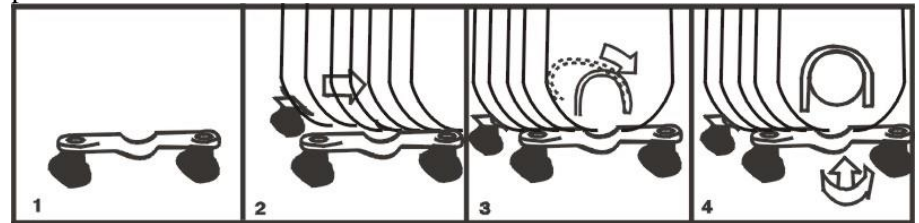
Components:



ASSEMBLY INSTRUCTIONS

The heater is packaged with the feet unattached. You must attach them before operating the heater.

WARNING: Do not operate without feet attached. Do operate the heater only in upright position (feet on the bottom, controls on the top); any other position could create a hazardous situation.



- Place the radiator body upside-down on a scratch-free location, make sure it is stable and cannot fall.
- Do not store the appliance while it is still hot.
- To attach the castor mounting plate to the radiator body, you should insert the threaded ends of the U bolt in the holes on castor mounting plate.
- Screw the wing nuts back to the U bolt and fasten the wing nut properly.



SRB

OH-4309/4311

UPUTSTVO ZA UPOTREBU ULJANI RADIJATOR

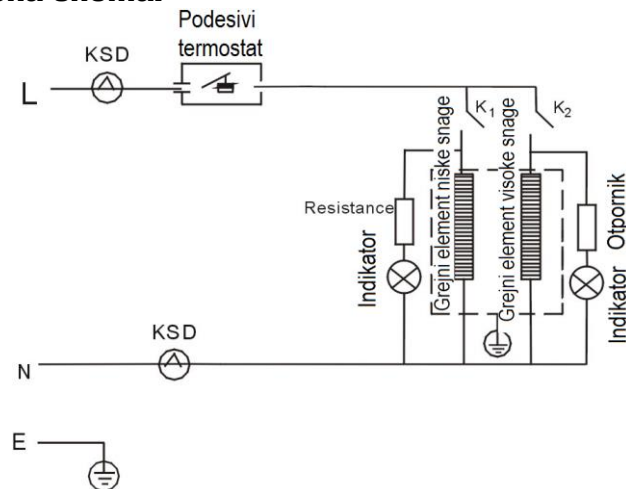
Upotreba:

1. Uređaj ima dva dugmeta za podešavanje snage, koje možete podesiti po potrebi.
2. Molimo proverite da je nazivni napon odgovarajući i da je nazivni kapacitet na utičnici najmanje 10 A.
3. Tokom upotrebe možete lako podesiti termostat na temperaturu koju želite.
4. Ako tokom upotrebe osetite, da je temperatura u prostoriji previsoka i želite da je smanjite, podesite termostat na 'nisko' ili 'srednje' podešavanje.
5. Radijator će održavati podešenu temperaturu, tj. kada postigne zadatu temperaturu ugasiće se. Kada temperatura padne ispod zadate, radijator će se automatski opet uključiti.
6. Ako okrenete dugme termostata na isključeno, indikator tj. svetlo će se ugasi.

Tehnički podaci:

Model	Nazivni napon	Nazivna frekvencija	Nazivna snaga	Specifikacija	Kategorija električne zaštite
CR403-7	230 V	50 Hz	1500 W	7 kom.	I
CR403-9	230 V	50 Hz	2000 W	9 kom.	I
CR403-11	230 V	50 Hz	2500 W	11 kom.	I

Električna shema:



Uputstvo za upotrebu uljanog radijatora

- Molimo Vas da pre upotrebe uljanog radijatora pažljivo pročitate ovo uputstvo, kako biste ga mogli ispravno koristiti.
- Molimo da sačuvate ovo uputstvo.

Kratko predstavljanje uređaja:

Uljani električni radijatori upotrebljavaju elektronsku termalnu cev kao grejni element i sa njim zagrevaju u njima zatvoreno ulje. Ova serija uređaja je visokog kvaliteta i ima dug životni vek. Pogodni su za upotrebu u domaćinstvu i poslovnim prostorijama.

Karakteristike:

1. Visok kvalitet i dug životni vek.
2. Grejno ulje visoke efikasnosti, brzo greje, bez mirisa i bez buke.
3. Sa jednim dugmetom možete podesiti tri različite nivoe snage.
4. Uređaj ima termički osigurač, koji sprečava pregrejavanje.
5. Lako se upotrebljava i lako se rukuje sa njim.
6. Dizajn sa točkićima, lako se pomera.

Napomene:

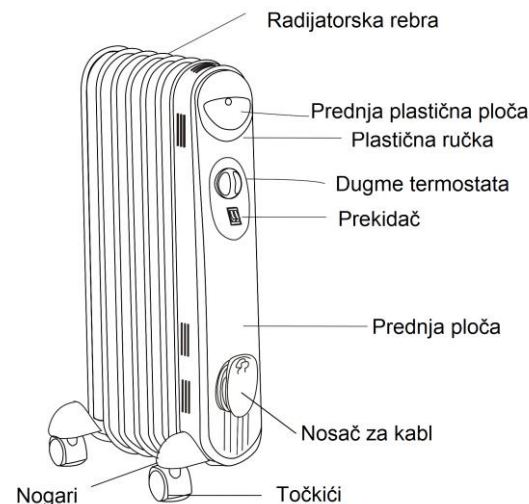
1. Radijator mora biti postavljen na ravnu podlogu. Ne smete ga postavljati na nestabilno mesto.
2. Molimo ne koristite radijator na mestu gde ima zapaljivog ili eksplozivnog gasa, u kupatilu ili u blizini tuš kabine ili bazena.
3. Molimo ne stavljajte ruke ili štapove u otvore ili proreze radijatora, zbog Vaše bezbednost. (Posebno obratite pažnju ako su deca u blizini)
4. Tokom upotrebe mora između radijatora i zida ili bilo kog drugog predmeta najmanje 20 cm. Iznad radijatora mora biti 1 m praznog prostora, zbog kruženja vazduha.
5. Nemojte uključivati druge uređaje na istu utičnicu.

Upozorenje: Radijator se ne sme postavljati neposredno kod električne utičnice.

6. Ne pokrivate radiator, da ne bi došlo do pregrevanja. Ako želite radiator da očistite, najpre izvadite utikač iz utičnice.
7. Ovaj radiator je napunjen sa tačno određenom količinom namenskog ulja. Popravke koje zahtevaju otvaranje posude za ulje mora obaviti proizvođač ili ovlašćeni serviser, kome se valja obratiti u slučaju puštanja ulja.
8. Potrebno je poštovati propise u vezi uklanjanja ulja kada se uređaj uništava.
9. Ako je strujni kabl oštećen, mora ga zameniti proizvođač ili ovlašćeni servis, ili stručno osposobljena osoba, da bi se izbegla opasnost.
10. Kada uređaj ostavljate bez nadgledanja, Vas molimo da isključite utikač iz utičnice.
11. Tokom upotrebe izbegavajte da često otvarate vrata i prozore, jer bi time uticali na efikasnost zagrevanja.
12. Ovaj uređaj mogu upotrebljavati deca od 8 godina i više i osobe sa smanjenim fizičkim, čulnim, ili umskim sposobnostima ili nedostatkom iskustva i znanja, ali samo u slučaju da ih nadzire i daje im uputstva osoba koja je odgovorna za njihovu bezbednost, i da razumeju opasnosti povezane sa upotrebom uređaja. Deca se ne smeju igrati sa uređajem. Deca ne smeju da čiste odnosno održavaju uređaj bez nadgledanja.
13. Decu mlađu od 3 godine treba držati dalje od uređaja osim ukoliko su pod stalnim nadzorom.
14. Deca od 3 do 8 godine starosti mogu uključivati/isključivati uređaj samo ako je on bezbedno i ispravno namešten i ako dete razume opasnosti povezane sa uređajem a pored toga ga nadgleda i daje mu uputstva osoba odgovorna za njegovu bezbednost. Deca između 3 i 8 godina starosti ne smeju priključivati uređaj u struju, regulisati podešavanja uređaja ili održavati uređaj.

OPREZ — Neki delovi uređaja mogu se jako zagrejati i prouzrokovati opekotine. Posebno morate biti pažljivi ako su prisutna deca ili ranjive osobe.

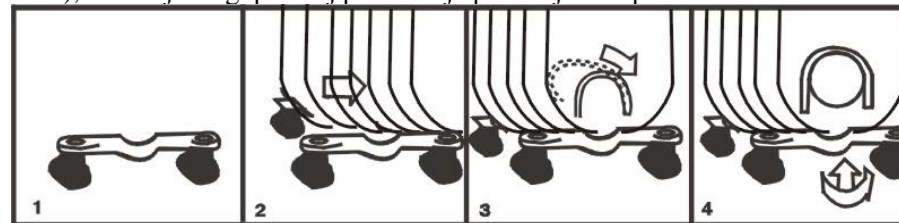
Nazivi delova:



UPUTSTVA ZA SASTAVLJANJE

Radiator je zapakovan bez nameštenih nogara. Potrebno ih je namestiti pre upotrebe.

Upozorenje: Ne upotrebljavajte radiator bez nameštenih nogara. Upotrebljavajte ga samo u uspravnom položaju (nogari na dnu, dugmad na vrhu), bilo koji drugi položaj predstavlja potencijalnu opasnost.



- Postavite telo radijatora naglavačke na podlogu od npr. kartona, proverite da je stabilna i da radiator neće pasti.
- Ne skladištite radiator dok se ne ohladi.
- Za montiranje točkića namestite fiksnu ploču na telo radijatora, ubacite krajeve sa navojima spona u obliku slova U u otvore na fiksirnoj ploči za točkiće.
- Navijte navrtnje sa krilcima nazad na sponu u obliku slova U i dobro ih zategnite.

