



GBR

SRB

HRV

SVN

ESP

PRT

# VF2510F - VF2510SF

OPERATING INSTRUCTIONS FREEZER  
UPUTSTVO ZA UPOTREBU ZAMRZIVAČ  
UPUTE ZA UPORABU ZAMRZIVAČ  
NAVODILA ZA UPORABO ZAMRZOVALNIK  
MANUAL DE USUARIO CONGELADOR  
MANUAL DO USUÁRIO CONGELADOR

**EAC**



GBR

# User manual

Freezer VF 2510  
VF 2510SF

EAC

# Content

1. Safety Information	Page 1-9
2. Overview	Page 10
3. Reverse Door	Page 11-13
4. Installation	Page 14 -15
5. Daily Use	Page 16-19

In the interest of your safety and to ensure the correct use, before installing and first using the appliance, read this user manual carefully, including its hints and warnings. To avoid unnecessary mistakes and accidents, it is important to ensure that all people using the appliance are thoroughly familiar with its operation and safety features. Save these instructions and make sure that they remain with the appliance if it is moved or sold, so that everyone using it through its life is properly informed on appliance use and safety.






For the safety of life and property keep the precautions of these user's instructions as the manufacturer is not responsible for damages caused by omission.

### **Children and vulnerable people safety**

- This appliance can be used by children aged from 8 years and above and persons with reduced physical, sensory or mental capabilities or lack of experience and knowledge if they have been given supervision or instruction concerning use of the appliance in a safe way and understand the hazards involved.
- Children aged from 3 to 8 years are allowed to load and unload this appliance.
- Children should be supervised to ensure that they do not play with the appliance.
- Cleaning and user maintenance shall not be made by children unless they are aged from 8 years and above and supervised.
- Keep all packaging well away from children. There is risk of suffocation.


- If you are discarding the appliance pull the plug out of the socket, cut the connection cable (as close to the appliance as you can) and remove the door to prevent playing children to suffer electric shock or to close themselves into it.
- If this appliance featuring magnetic door seals is to replace an older appliance having a spring lock (latch) on the door or lid, be sure to make that spring lock unusable before you discard the old appliance. This will prevent it from becoming a death trap for a child.

### General safety


-  **WARNING!** Keep ventilation openings, in the appliance enclosure or in the built-in structure, clear of obstruction.
-  **WARNING!** Do not use mechanical devices or other means to accelerate the defrosting process, other than those recommended by the manufacturer.
-  **WARNING!** Do not damage the refrigerant circuit.
-  **WARNING!** Do not use other electrical appliances (such as ice cream makers) inside of refrigerating appliances, unless they are approved for this purpose by the manufacture.
-  **WARNING!** Do not touch the light bulb if it has been on for a long period of time because it could be very hot. <sup>1)</sup>


1) If there is a light in the compartment.

 **WARNING!** When positioning the appliance, ensure the supply cord is not trapped or damaged.

 **WARNING!** Do not locate multiple portable socket-outlets or portable power suppliers at the rear of the appliance.

- Do not store explosive substances such as aerosol cans with a flammable propellant in this appliance.
- The refrigerant isobutane (R-600a) is contained within the refrigerant circuit of the appliance, a natural gas with a high level of environmental compatibility, which is nevertheless flammable.
- During transportation and installation of the appliance, be certain that none of the components of the refrigerant circuit become damaged.
- Avoid open flames and sources of ignition.
- Thoroughly ventilate the room in which the appliance is situated.
- It is dangerous to alter the specifications or modify this product in any way. Any damage to the cord may cause a short circuit, fire and/or electric shock.
- This appliance is intended to be used in household and similar applications such as
  - staff kitchen areas in shops, offices and other working environments;
  - farm houses and by clients in hotels, motels and other residential type environments;
  - bed and breakfast type environments;
  - catering and similar non-retail applications.

 **WARNING!** Any electrical components (plug, power cord, compressor and etc.) must be replaced by a certified service agent or qualified service personnel.

 **WARNING!** The light bulb supplied with this appliance is a “special use lamp bulb” usable only with the appliance supplied. This “special use lamp” is not usable for domestic lighting.<sup>1)</sup>

- Power cord must not be lengthened.
- Make sure that the power plug is not squashed or damaged by the back of the appliance. A squashed or damaged power plug may overheat and cause a fire.
- Make sure that you can approach the mains plug of the appliance.
- Do not pull the mains cable.
- If the power plug socket is loose, do not insert the power plug. There is a risk of electric shock or fire.
- You must not operate the appliance without the lamp.
- This appliance is heavy. Care should be taken when moving it.
- Do not remove or touch items from the freezer compartment if your hands are damp/wet, as this could cause skin abrasions or frost/freezer burns.
- Avoid prolonged exposure of the appliance to direct sunlight.

### **Daily use**

- Do not put hot items on the plastic parts in the appliance.
- Do not place food products directly against the rear wall.

1) If there is a light in the compartment.



## Safety information



- Frozen food must not be re-frozen once it has been thawed out. <sup>1)</sup>
- Store pre-packed frozen food in accordance with the frozen food manufactures instructions. <sup>1)</sup>
- Appliances manufactures storage recommendations should be strictly adhered to. Refer to relevant instructions.
- Do not place carbonated or fizzy drinks in the freezer compartment as it creates pressure on the container, which may cause it to explode, resulting in damage to the appliance. <sup>1)</sup>
- Ice lollies can cause frost burns if consumed straight from the appliance. <sup>1)</sup>
- To avoid contamination of food, please respect the following instructions
- Opening the door for long periods can cause a significant increase of the temperature in the compartments of the appliance.
- Clean regularly surfaces that can come in contact with food and accessible drainage systems.
- Clean water tanks if they have not been used for 48h; flush the water system connected to a water supply if water has not been drawn for 5 days.
- Store raw meat and fish in suitable containers in the refrigerator, so that it is not in contact with or drip onto other food.
- Two-star frozen-food compartments (if they are presented in the appliance) are suitable for storing pre-frozen food, storing or making ice-cream and making ice cubes.

1) If there is a freezer compartment.

2) If there is a fresh-food storage compartment.



- One-, two- and three-star compartments (if they are presented in the appliance) are not suitable for the freezing of fresh food.
- If the appliance is left empty for long periods, switch off, defrost, clean, dry and leave the door open to prevent mould developing within the appliance.

### Care and cleaning

- Before maintenance, switch off the appliance and disconnect the mains plug from the mains socket.
- Do not clean the appliance with metal objects.
- Do not use sharp objects to remove frost from the appliance. Use a plastic scraper.<sup>1)</sup>
- Regularly examine the drain in the refrigerator for defrosted water. If necessary, clean the drain. If the drain is blocked, water will collect in the bottom of the appliance.<sup>2)</sup>

### Installation

**Important!** For electrical connection carefully follow the instructions given in specific paragraphs.

- Unpack the appliance and check if there are damages on it. Do not connect the appliance if it is damaged. Report possible damages immediately to the place you bought it. In such event retain the packing.

1) If there is a freezer compartment.

2) If there is a fresh-food storage

- It is advisable to wait at least four hours before connecting the appliance to allow the oil to flow back in the compressor.
- Adequate air circulation should be around the appliance, lacking this leads to overheating. To achieve sufficient ventilation, follow the instructions relevant to installation.
- Wherever possible the spacers of the product should be against a wall to avoid touching or catching warm parts (compressor, condenser) to prevent possible burn.
- The appliance must not be located close to radiators or cookers.
- Make sure that the mains plug is accessible after the installation of the appliance.

## **Service**


- Any electrical work required to do the servicing of the appliance should be carried out by a qualified electrician or competent person.
- This product must be serviced by an authorized Service Center, and only genuine spare parts must be used.


## **Energy saving**

- Do not put hot food in the appliance;
- Do not pack food close together as this prevents air circulating;
- Make sure food does not touch the back of the compartment(s);

- If electricity goes off, do not open the door(s);
- Do not open the door(s) frequently;
- Do not keep the door(s) open for too long time;
- Do not set the thermostat on exceeding cold temperatures;
- All accessories, such as drawers, shelves balconies, should be kept there for lower energy consumption.

## Environment Protection

 This appliance does not contain gasses which could damage the ozone layer, either its refrigerant circuit or insulation materials. The appliance shall not be discarded together with the urban refuse and rubbish. The insulation foam contains flammable gases: the appliance shall be disposed according to the appliance regulations to obtain from your local authorities. Avoid damaging the cooling unit, especially the heat exchanger.


The materials used on this appliance marked by the symbol  are recyclable.



The symbol on the product or on its packaging indicates that this product may not be treated as household waste. Instead it should be taken to the appropriate collection point for the recycling of electrical and electronic equipment. By ensuring this product is disposed of correctly, you will help prevent potential negative consequences for the environment and human health,

which could otherwise be caused by inappropriate waste handling of this product. For more detailed information about recycling of this product, please contact your local council, your household waste disposal service or the shop where you purchased the product.

### **Packaging materials**

The materials with the symbol  are recyclable. Dispose the packaging in a suitable collection container to recycle it.

### **Disposal of the appliance**

1. Disconnect the mains plug from the mains socket.
2. Cut off the mains cable and discard it.

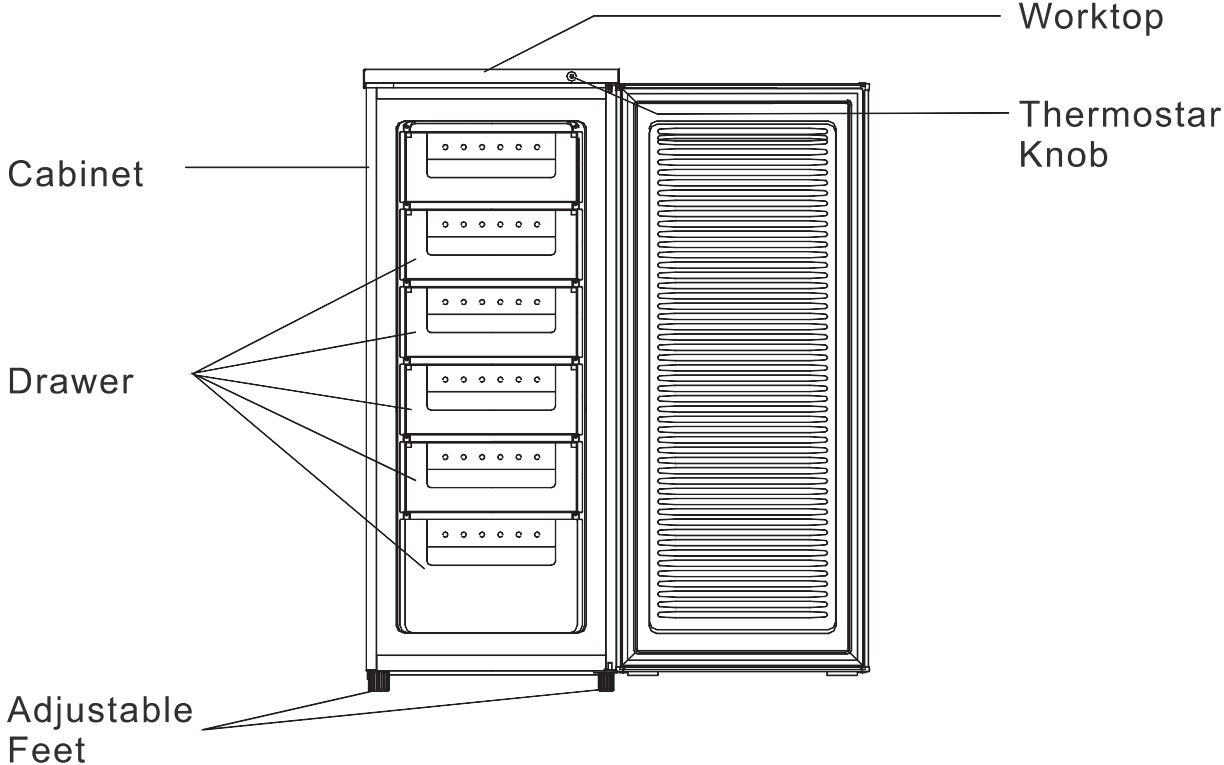


**! WARNING!** During using, service and disposal the appliance please pay attention to symbol similar as left side, which is located on rear of appliance (rear panel or compressor) and with yellow or orange color.

It is risk of fire warning symbol. There are flammable materials in refrigerant pipes and compressor. Please be far away from fire source during using, service and disposal.

# Overview

---



Note: Above picture is for reference only.

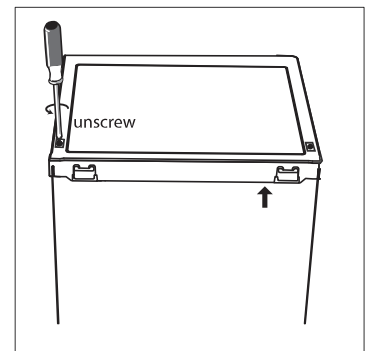
# Reverse Door

---

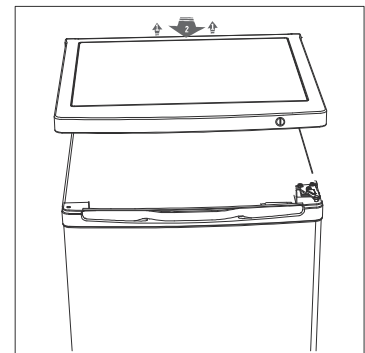
**Tool required:** Philips screwdriver, Flat bladed screwdriver, Hexagonal spanner.

- Ensure the unit is unplugged and empty.
- To take the door off, it is necessary to tilt the unit backwards. You should rest the unit on something solid so that it will not slip during the door reversing process.
- All parts removed must be saved to do the reinstallation of the door.
- Do not lay the unit flat as this may damage the coolant system.
- It is preferable 2 people to handle the unit during assembly.
- This refrigerating appliance is not intended to be used as a built-in appliance.

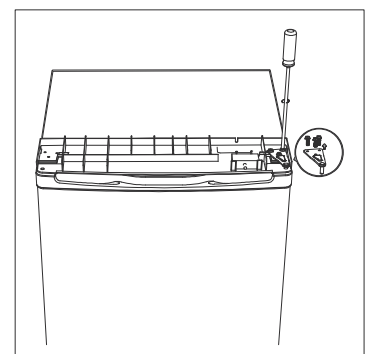
1. Remove two screws at rear side of top cover.



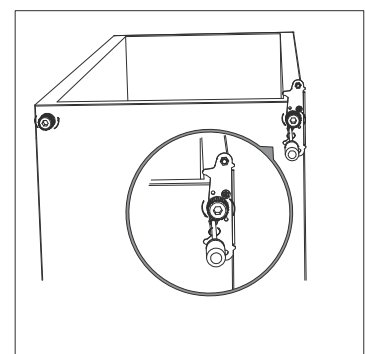
2. Remove top cover and thermostat knob, and then place it aside.



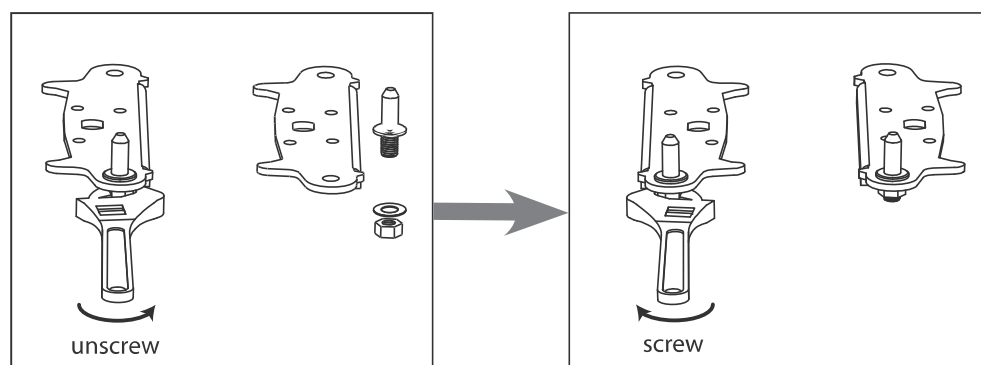
3. Unscrew top hinge and then remove door and place it on a soft pad to avoid scratch.



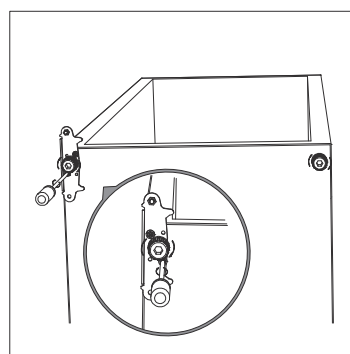
4. Unscrew bottom hinge. Then remove the adjustable feet from both sides.



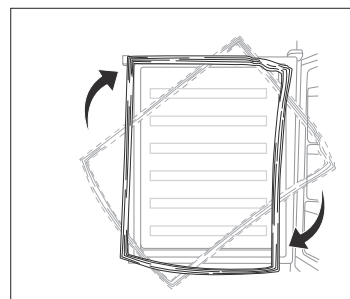
5. Unscrew and remove the bottom hinge pin, turn the bracket over and replace it.



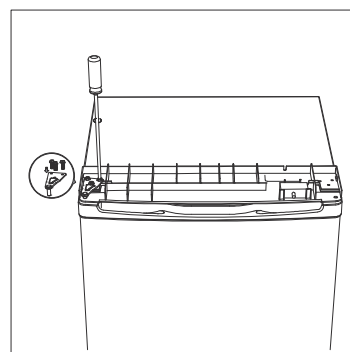
6. Refit the bracket fitting the bottom hinge pin. Replace both adjustable feet.



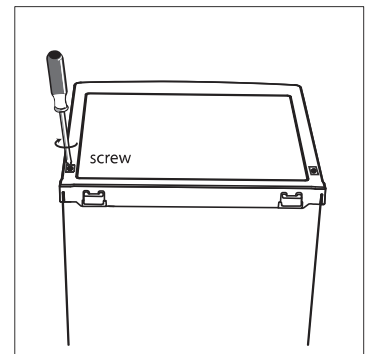
7. Detach the Fridge and the Freezer door gaskets and then attach them after rotating.



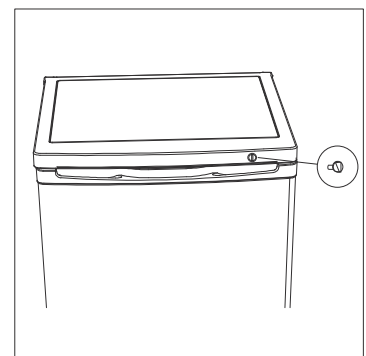
8. Place the door back on. Ensure the door is aligned horizontally and vertically, so that the seals are closed on all sides before finally tightening the top hinge.



9. Put the top cover and fix it with 2 screws on the back.



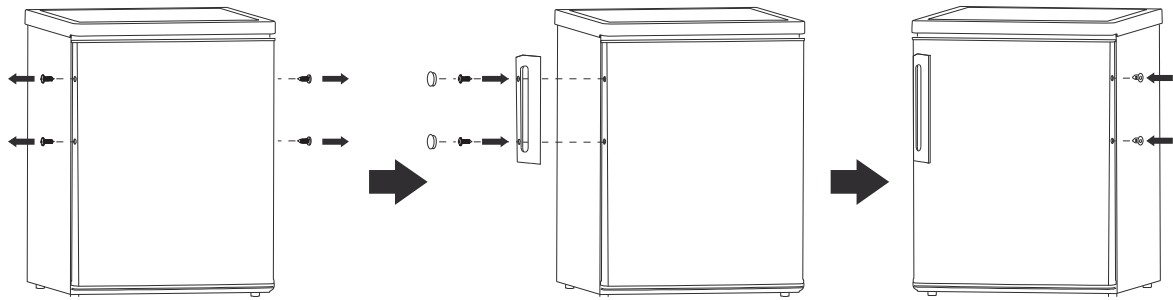
10. Fix the thermostat knob.





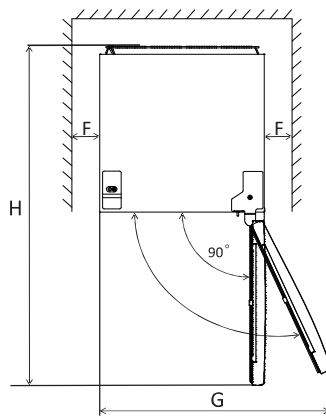
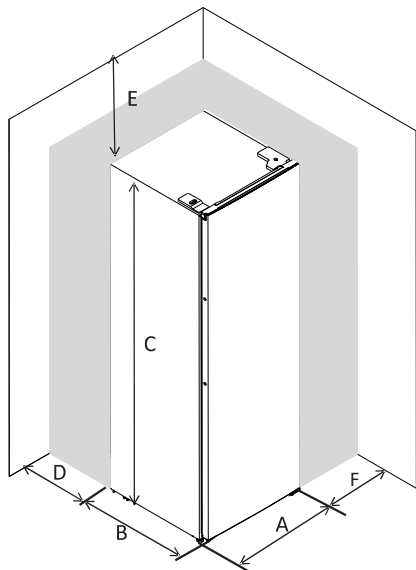
# Installation

## Install door handle



## Space Requirement

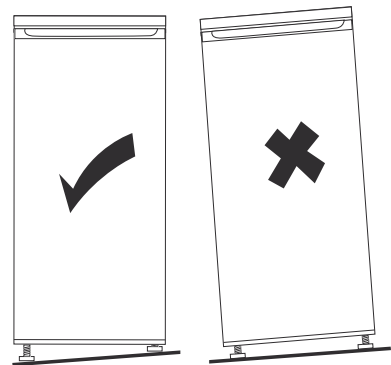
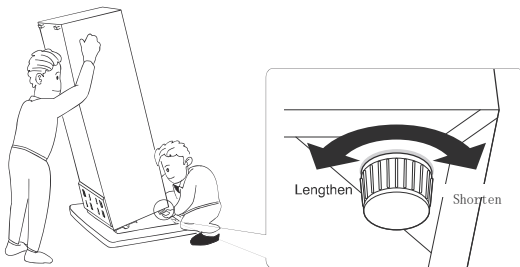
- Keep enough space of door open.
- Keep at least 50mm gap at two sides and back.



A	550
B	580
C	1420
D	min=50
E	min=50
F	min=50
G	960
H	1130
I	135°

## Levelling the unit

To do this adjust the two levelling feet at front of the unit. If the unit is not level, the doors and magnetic seal alignments will not be covered properly.



# Installation

---

## Positioning

Install this appliance at a location where the ambient temperature corresponds to the climate class indicated on the rating plate of the appliance:

for refrigerating appliances with climate class:

- extended temperate: this refrigerating appliance is intended to be used at ambient temperatures ranging from 10 °C to 32 °C; (SN)
- temperate: this refrigerating appliance is intended to be used at ambient temperatures ranging from 16 °C to 32 °C; (N)
- subtropical: this refrigerating appliance is intended to be used at ambient temperatures ranging from 16 °C to 38 °C; (ST)
- tropical: this refrigerating appliance is intended to be used at ambient temperatures ranging from 16 °C to 43 °C; (T)

## Location

The appliance should be installed well away from sources of heat such as radiators, boilers, direct sunlight etc. Ensure that air can circulate freely around the back of the cabinet. To ensure best performance, if the appliance is positioned below an overhanging wall unit, the minimum distance between the top of the cabinet and the wall unit must be at least 50 mm. Ideally, however, the appliance should not be positioned below overhanging wall units. Accurate leveling is ensured by one or more adjustable feet at the base of the cabinet.

This refrigerating appliance is not intended to be used as a built-in appliance;



**Warning!** It must be possible to disconnect the appliance from the mains power supply; the plug must therefore be easily accessible after installation.

## Electrical connection

Before plugging in, ensure that the voltage and frequency shown on the rating plate correspond to your domestic power supply. The appliance must be earthed. The power supply cable plug is provided with a contact for this purpose. If the domestic power supply socket is not earthed, connect the appliance to a separate earth in compliance with current regulations, consulting a qualified electrician.

The manufacturer declines all responsibility if the above safety precautions are not observed.

This appliance complies with the E.E.C. Directives.

# Daily Use

## First use

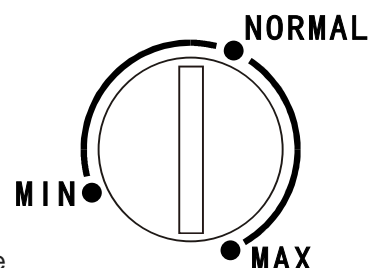
### Cleaning the interior

Before using the appliance for the first time, wash the interior and all internal accessories with lukewarm water and some neutral soap so as to remove the typical smell of a brand new product, and then dry thoroughly.

**Important!** Do not use detergents or abrasive powders, as these will damage the finish.

### Temperature Setting

- Plug in your appliance. The internal temperature is controlled by a thermostat. There are 3 settings **MIN**, **NORMAL** and **MAX**. MIN is warmest setting and MAX is coldest setting.
- The appliance may not operate at the correct temperature if it is in a particularly hot or if you open the door often.



### Daily use

Place different food in different compartments according to be below table

Refrigerator compartments	Type of food
Freezer drawer(s)/shelf	<ul style="list-style-type: none"> <li>• Foods for long-term storage.</li> <li>• Bottom drawer/shelf for raw meat, poultry, fish.</li> <li>• Middle drawer/shelf for frozen vegetables, chips.</li> <li>• Top drawer/shelf for ice cream, frozen fruit, frozen baked goods.</li> </ul>

### Freezing fresh food

- The freezer compartment is suitable for freezing fresh food and storing frozen and deep-frozen food for a long time.
- Place the fresh food to be frozen in the bottom compartment.
- The maximum amount of food that can be frozen in 24 hours is specified on the rating plate.
- The freezing process lasts 24 hours: during this period do not add other food to be frozen.

### Thawing

Deep-frozen or frozen food, prior to be used, can be thawed in the fridge compartment or at room temperature, depending on the time available for this operation.

Small pieces may even be cooked still frozen, directly from the freezer. In this case, cooking will take longer.

### Ice-cube

This appliance may be equipped with one or more trays for the production of ice-cubes.

## Helpful hints and tips

### Hints for freezing

To help you make the most of the freezing process, here are some important hints:

- the maximum quantity of food which can be frozen in 24 hrs. is shown on the rating plate;
- the freezing process takes 24 hours. No further food to be frozen should be added during this period;
- only freeze top quality, fresh and thoroughly cleaned, foodstuffs;
- prepare food in small portions to enable it to be rapidly and completely frozen and to make it possible subsequently to thaw only the quantity required;
- wrap up the food in aluminum foil or polythene and make sure that the packages are airtight;
- do not allow fresh, unfrozen food to touch food which is already frozen, thus avoiding a rise in temperature of the latter;
- lean foods store better and longer than fatty ones; salt reduces the storage life of food;
- water ices, if consumed immediately after removal from the freezer compartment, can possibly cause the skin to be freeze burnt;
- it is advisable to put the freezing date on each individual pack to enable you to keep record of the storage time

# Daily Use

## Hints for storage of frozen food

When first starting-up or after a period out of use before putting the product in the compartment let the appliance run at least 2 hours on the higher settings.

**Important!** In the event of accidental defrosting, for example the power has been off for longer than the value shown in the technical characteristics chart under “rising time”, the defrosted food must be consumed quickly or cooked immediately and then re-frozen (after cooked).

### Temperature setting recommendation

Temperature Setting Recommendation		
Environment Temperature	Freezer compartment	Fridge compartment
Summer		/
Normal		/
Winter		/

- Information above give users recommendation of temperature setting.

## Impact on Food Storage

- Under Recommended setting, the best storage time of freezer is no more than 1 month.
- The best storage time may reduce under other settings.

## Daily Use

---

### Hints for storage of frozen food

To obtain the best performance from this appliance, you should:

- make sure that the commercially frozen foodstuffs were adequately stored by the retailer;
- be sure that frozen foodstuffs are transferred from the food store to the freezer in the shortest possible time;
- not open the door frequently or leave it open longer than absolutely necessary.
- once defrosted, food deteriorates rapidly and cannot be refrozen.
- not exceed the storage period indicated by the food manufacture.

### Cleaning

For hygienic reasons the appliance interior, including interior accessories, should be cleaned regularly.



**Caution!** The appliance must not be connected to the mains during cleaning. Danger of electrical shock! Before cleaning switch the appliance off and remove the plug from the mains, or switch off or turn out the circuit breaker or fuse. Never clean the appliance with a steam cleaner. Moisture could accumulate in electrical components, danger of electrical shock! Hot vapors can lead to the damage of plastic parts. The appliance must be dry before it is placed back into service.

**Important!** Ethereal oils and organic solvents can attack plastic parts, e.g. lemon juice or the juice from orange peel, butyric acid, cleanser that contain acetic acid.

- Do not allow such substances to come into contact the appliance parts.
- Do not use any abrasive cleaners.
- Remove the food from the freezer. Store them in a cool place, well covered.
- Switch the appliance off and remove the plug from the mains, or switch off or turn out the circuit breaker or fuse.
- Clean the appliance and the interior accessories with a cloth and lukewarm water. After cleaning wipe with fresh water and rub dry.
- Accumulation of dust at the condenser increases energy consumption. For this reason carefully clean the condenser at the back of the appliance once a year with a soft brush or a vacuum cleaner.<sup>1\*</sup>
- After everything is dry place appliance back into service.

### Defrosting of the freezer

The freezer compartment, however, will become progressively covered with frost. This should be removed. Never use sharp metal tools to scrape off frost from the evaporator as you could damage it.

S

However, when the ice becomes very thick on the inner liner, complete defrosting should be carried out as follows:

- pull out the plug from the socket;
- remove all stored food, wrap it in several layers of newspaper and put it in a cool place;
- keep the door open, and placing a basin underneath of the appliance to collect the defrost water;
- when defrosting is completed, dry the interior thoroughly;
- place the plug in the power socket to run the appliance again.

1) If the condenser is at back of appliance.

## Daily Use

---

### Troubleshooting

**Caution!** Before troubleshooting, disconnect the power supply. Only a qualified electrician or a competent person must do the troubleshooting that is not in this manual.

**Important!** There are some sounds during normal use (compressor, refrigerant circulation).

Problem	Possible cause	Solution
Appliance does not work	Mains plug is not plugged in or is loose	Insert mains plug.
	Fuse has blown or is defective	Check fuse, replace if necessary.
	Socket is defective	Mains malfunctions are to be corrected by an electrician.
Appliance freezes too much	Temperature is set too cold or the appliance runs at MAX setting.	Turn the temperature regulator to a warmer setting temporarily.
The food is not frozen enough.	Temperature is not properly adjusted.	Please look in the initial Temperature Setting section.
	Door was open for an extended period.	Open the door only as long as necessary.
	A large quantity of warm food was placed in the appliance within the last 24 hours.	Turn the temperature regulation to a colder setting temporarily.
	The appliance is near a heat source.	Please look in the installation location section.
Heavy build-up of frost on the door seal.	Door seal is not air-tight.	Carefully warm the leaking sections of the door seal with a hair dryer (on a cool setting). At the same time shape the warmed door seal by hand such that it sits correctly.
Unusual noises	Appliance is not level.	Re-adjust the feet.
	The appliance is touching the wall or other objects.	Move the appliance slightly.
	A component, e.g. a pipe, on the rear of the appliance is touching another part of the appliance or the wall.	If necessary, carefully bend the component out of the way.

If the malfunction shows again, contact the Service Center.

These data are necessary to help you quickly and correctly. Write the necessary data here, refer to the rating plate.



SRB

# Uputstvo za upotrebu

**Zamrzivač VF 2510F  
VF 2510SF**

ERC

## Sadržaj

1. Sigurnosna upozorenja	strana 1-11
2. Izgled uređaja	strana 12
3. Promenljiva strana otvaranja vrata	strana 13-15
4. Instalacija	strana 16-17
5. Svakodnevna upotreba	strana 18-21



## **Sigurnosna upozorenja**



U Vašem je interesu da se obezbedi sigurna i pravilna upotreba, stoga pre instaliranja i prve upotrebe uređaja, pažljivo pročitajte ovaj korisnički priručnik, uključujući njegove savete i upozorenja. Da biste izbegli nepotrebne greške i nezgode, neophodno je da svi korisnici uređaja budu detaljno upoznati sa njegovim radom i bezbednim funkcijama. Sačuvajte ovo uputstvo i osigurajte da ostane uz uređaj ako ga premeštate ili prodajete, tako da svi koji ga koriste tokom njegovog veka trajanja budu pravilno informisani o upotrebi i bezbednosti uređaja.

Radi sigurnosti života i imovine pridržavajte se predostrožnosti u ovom korisničko priručniku, jer proizvođač nije odgovoran za štetu izazvanu nepoštovanjem mera opreza.


### **Bezbednost dece i osoba sa smanjenim sposobnostima**


- Ovaj aparat mogu koristiti deca uzrasta 8 i više godina i osobe sa smanjenim fizičkim senzornim ili mentalnim sposobnosti ili nedostatkom iskustva i znanja ako su pod nadzorom ili su dobili instrukcije u vezi sa upotrebom aparata na siguran način i razumeju opasnosti do kojih može doći.
- Deci uzrasta od 3 do 8 godina dozvoljeno je da

pune i prazne rashladne uređaje.

- Deca treba da budu pod nadzorom da se ne bi igrala s uređajem.
- Čišćenje i održavanje uređaja ne smeju vršiti deca osim ako imaju 8 ili više godina i ako su pod nadzorom.
- Čuvajte sav ambalažni materijal udaljen od dece. Postoji rizik od gušenja.
- Ukoliko odlažete uređaj, izvucite utikač iz utičnice, odsecite kabl za napajanje (što je moguće bliže uređaju) i uklonite vrata kako biste sprečili da se deca igraju s uređajem, strujni udar ili da se deca zatvore unutar uređaja.
- Ukoliko vaš stari uređaj ima magnetnu zaptivku, razbijte ili uklonite je pre odlaganja starog uređaja. To će sprečiti da postane smrtonosna zamka za dete.

### Opšta bezbednost

 **UPOZORENJE!** Držite bez opstrukcija otvore ventilacije koji se nalaze u okruženju uređaja ili su ugrađeni u strukturu uređaja.

 **UPOZORENJE!** Ne koristite mehaničke uređaje ili druge načine za ubrzavanje odleđivanja, osim onih preporučenih od strane proizvođača.

 **UPOZORENJE!** Nemojte oštetiti rashladno kolo.

## **⚠ Sigurnosna upozorenja**

**⚠ UPOZORENJE!** Ne koristite druge električne uređaje (kao na pr. aparate za pravljenje sladoleda) unutar odeljka ovog uređaja, osim ako su one odobrene za ovu namenu od strane proizvođača.

**⚠ UPOZORENJE!** Ne dodirivati sijalicu ukoliko je dugo uključena jer može biti jako vruća.<sup>1)</sup>


**⚠ UPOZORENJE!** Kada postavljate uređaj, uverite se da kabl za napajanje nije umotan ili oštećen.


**⚠ UPOZORENJE!** Nemojte postavljati više prenosnih utičnica na zadnjoj strani uređaja.

- Nemojte držati eksplozivne supstance, kao što su aerosol limenke sa zapaljivim gasovima, u ovom uređaju.
- Izobutan (R600a), kojeg sadrži rashladno kolo ovog uređaja, je prirodni gas bez štetnog uticaja na životnu sredinu, ali je zapaljiv.
- Prilikom transporta i instalacije uređaja, uverite se da nijedan deo rashladnog kola ne bude oštećen.
- Izbegavajte otvorene plamenove i izvore paljenja
- Pažljivo provetrite prostoriju u kojoj je smešten uređaj.

1) Ukoliko ima osvetljenja u odeljku uređaja.

- Opasno je menjati specifikacije ili ovaj uređaj na bilo koji način. Svako oštećenje kabla za napajanje može prouzrokovati kratak spoj, vatru i/ili električni šok.
- Ovaj uređaj namenjen je upotrebi u domaćinstvu i sličnim upotrebama, kao što su
  - kuhinje u radnjama, kancelarijama i drugim radnim okruženjima;
  - farme i sobe dostupne gostima u hotelima, motelima i drugim okruženjima boravišnog tipa
  - okruženjima tipa noćenje s doručkom;
  - ugostiteljstvu i sličnim namenama koja ne spadaju u maloprodaju.

 **UPOZORENJE!** Svaki električni deo (utikač, kabl za napajanje, kompresor i td.) mora biti zamenjen od strane kvalifikovanog tehničara ili ovlašćenog servisnog agenta.

 **UPOZORENJE!** Sijalica koja se koristi u uređaju je “sijalica sa posebnom namenom” koja se može koristiti samo kao pomoćni deo uređaja.

Ova “sijalica sa posebnom upotrebom” ne može se koristiti za sobno osvetljenje u domaćinstvu.<sup>1)</sup>

- Nemojte koristiti produžne kablove.
- Uverite se da utikač nije prignječen ili oštećen na

1)Ukoliko ima osvetljenja u odeljku uređaja.

zadnjoj strani uređaja. Prignječeni ili oštećeni utikač može dovesti do pregrevanja i izazvati požar.

- Uverite se da možete doći do strujnog utikača uređaja.
- Nemojte vući kabl za napajanje.
- Ukoliko je utikač slabo povezan, ne ubacujte u utičnicu. Postoji rizik od elektrošoka ili požara.
- Ne smete rukovati uređajem bez lampe.
- Ovaj uređaj je težak. Voditi računa prilikom pomeranja.
- Ne uklanjajte i ne dodirujte stvari iz zamrzivača ukoliko su vam ruke vlažne/mokre, jer može doći do ogrebotina na koži ili promrzlina.
- Izbegavajte dugo izlaganje uređaja dnevnoj svetlosti.

### **Svakodnevna upotreba**

- Ne stavljajte ništa vruće na plastične delove u uređaju.
- Ne stavljajte prehrambene proizvode direktno uz zadnji zid.

- Jednom odmrznuta hrana ne sme se ponovo zamrzavati.<sup>1)</sup>
- Otpremite hranu za pakovanje prema uputstvima proizvođača za otpremanje hrane za zamrzavanje.<sup>1)</sup>
- Preporuke proizvođača za skladištenje hrane u uređaju moraju se strogo poštovati. Pogledajte relevantna uputstva.
- Nemojte stavljati gazirana pića u odeljak za zamrzavanje, jer dolazi do stvaranja pritiska unutar ambalaže, što može dovesti do eksplozije i oštećenja na uređaju.<sup>1)</sup>
- Kocke leda mogu da dovedu do promrzlina ukoliko se koriste odmah po vađenju iz uređaja.<sup>1)</sup>
- Da biste izbegli kontaminaciju hrane, obratite pažnju na sledeće instrukcije
- Otvaranje vrata na duži period može da uzrokuje značajan porast temperature u pregradama uređaja.
- Redovno čistite površine koje mogu da stupe u kontakt sa hranom i dostupnim drenažnim sistemima.

1) Ukoliko postoji odeljak zamrzivača

- Očistite rezervoar za vodu ako ne se koristi 48 časa; isperite sistem za vodu povezan sa vodosnabdevanjem ako voda nije tekla 5 dana.
- U frižideru čuvajte sirovo meso i ribu u odgovarajućim posudama, tako da ne dođe u kontakt sa drugom hranom ili da ne kaplje na drugu hranu.
- Odeljci sa dve zvezde (ukoliko ih ima u uređaju) pogodni su za čuvanje prethodno zamrznute hrane, čuvanje ili pravljenje sladoleda ili ledenih kocki.
- Odeljci sa jednom , dve ili tri zvezde (ukoliko ih ima u uređaju) nisu pogodni za zamrzavanje sveže hrane.
- Ukoliko je aparat za hlađenje ostavljen prazan na duži period, isključite ga, odmrznite, očistite, osušite i ostavite vrata otvorena da sprečite razvoj plesni u uređaju.

### **Održavanje i čišćenje**

- Pre održavanja, isključite uređaj i izvadite utikač iz zidne utičnice.
- Nemojte čistiti uređaj metalnim predmetima.
- Nemojte koristiti oštre predmete za uklanjanje mraza u uređaju. Koristite plastičnu grebalicu.<sup>1)</sup>

1) Ukoliko postoji odeljak zamrzivača.

- Redovno proveravajte odvod zamrznute vode u frižideru. Po potrebi, očistite odvod.

Ukoliko je odvod blokiran, voda će se sakupljati na dnu uređaja.<sup>2)</sup>

### **Postavljanje**

**Važno!** Kod električnog povezivanja pažljivo pratite date instrukcije u određenim odeljcima.

- Raspakujte uređaj i proverite da na njemu nema oštećenja. Nemojte povezivati uređaj ukoliko je oštećen. Prijavite moguća oštećenja odmah prodavnicu u kojoj ste kupili uređaj. U tom slučaju sačuvajte ambalažni materijal.
- Preporučuje se da sačekate najmanje 4 sata pre povezivanja uređaja kako bi se ulje u kompresoru rasporedilo pravilno.
- Obezbediti adekvatan protok vazduha oko uređaja, kako ne bi došlo do pregrevanja. Da biste obezbedili dovoljno vazduha, pratite relevantna uputstva za postavljanje.
- Izbegavati da štitnici uređaja dodiruju zid ili tople delove (kompresor, kondenzator) kako biste sprečili moguće gorenje uređaja
- Uređaj ne sme biti postavljen u blizini radijatora ni šporeta.

1) Ukoliko postoji odeljak zamrzivača

2) Ukoliko postoji odeljak za čuvanje sveže hrane.



- Uverite se da je utičnica dostupna nakon postavljanja uređaja.

### **Servisiranje**

- Svaka električna intervencija koja zahteva servisiranje uređaja mora biti obavljena od strane kvalifikovanog električara ili kompetentne osobe.
- Ovaj proizvod mora biti servisiran od strane ovlašćenog servisnog centra, i mogu se koristiti samo originalni rezervni delovi.


### **Saveti za uštedu energije**

- Nemojte stavljati toplu hranu u uređaj;
- Nemojte držati spakovanu hranu blizu jednu drugoj jer to sprečava cirkulisanje vazduha;
- Uverite se da hrana ne dodiruje zidove odeljaka;
- Ukoliko dođe do nestanka struje, nemojte otvarati vrata;
- Nemojte često otvarati vrata;
- Nemojte držati vrata dugo otvorena;
- Nemojte podešavati termostat na suviše niske temperature;
- Sve dodatke, kao što su fioke, pregrade na vratima, treba držati zbog manje potrošnje električne energije.



### Zaštita životne sredine




Ovaj uređaj ne sadrži gasove koji mogu oštetiti ozonski omotač, kao ni rashladno kolo ni izolacioni materijal. Uređaj ne treba odstraniti zajedno sa gradskim smećem. Izolaciona pena sadrži zapaljive gasove: ovaj uređaj treba odložiti u skladu sa zakonskom regulativom za otklanjanje uređaja dobijenom od lokalnih vlasti. Izbegavajte oštećenja rashladnog dela, naročito toplotnog grejača. Materijali korišćeni na ovom uređaju koji su označeni simbolom  mogu se reciklirati.



Simbol na proizvodu ili njegovoj ambalaži označava da se s tim proizvodom ne sme postupati kao s kućnim otpadom. Umesto toga, proizvod treba da bude uklonjen od strane odgovarajućeg centra za reciklažu elektronske i električne opreme. Ispravnim uklanjanjem ovog proizvoda, pomažete u sprečavanju potencijalnih negativnih posledica na životnu sredinu i zdravlje ljudi, koji bi inače mogli biti ugroženi neodgovarajućim rukovanjem otpadom ovog proizvoda. Za detaljnije informacije o recikliranju ovog uređaja, molimo kontaktirajte odgovarajuću lokalnu ustanovu, službu za odlaganje kućnog otpada ili prodavnicu u kojoj ste kupili uređaj.

### Materijali za ambalažu

Materijali sa simbolom  mogu se reciklirati. Odložite materijal za pakovanje u adekvatne kontejnere za reciklažu.

### Odlaganje uređaja

1. Isključite glavni utikač iz utičnice.
2. Isecite kabl za napajanje i odložite ga.



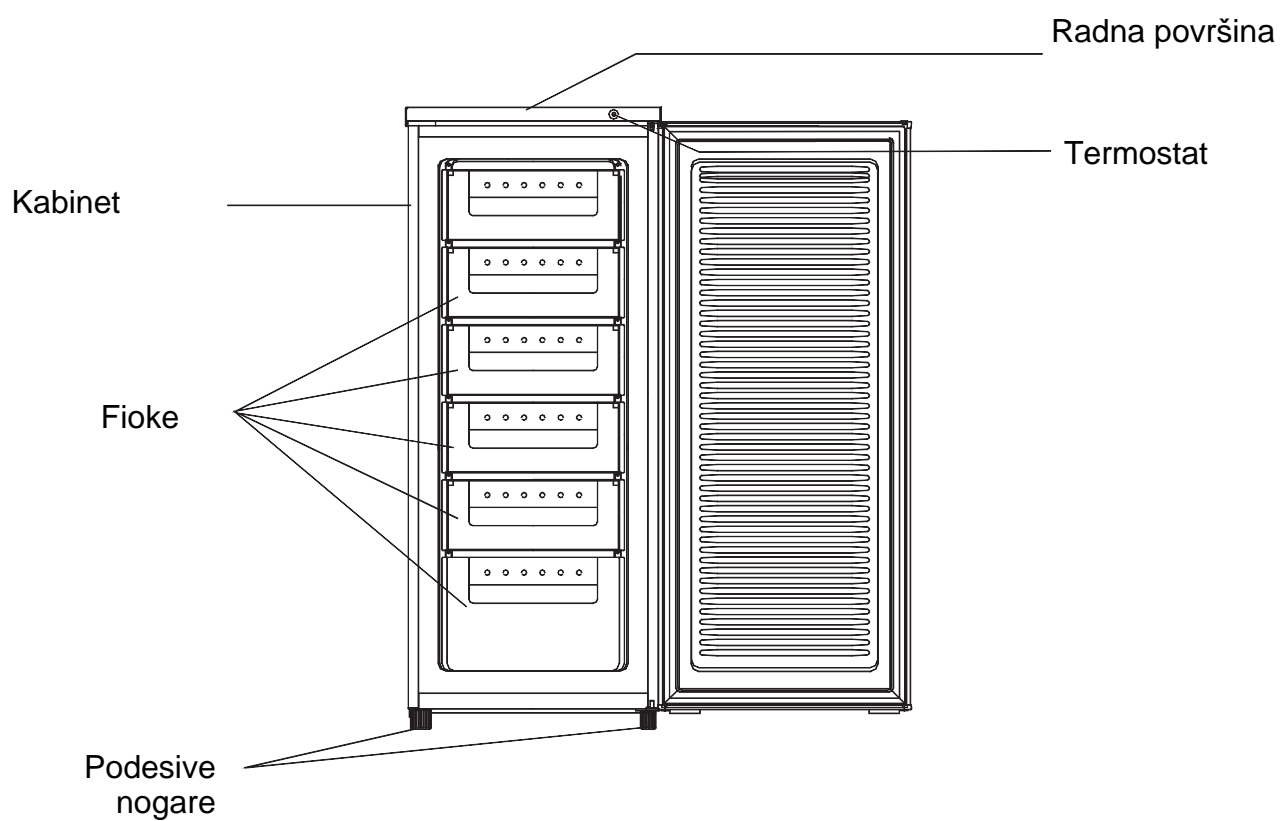
## UPOZORENJE!

Tokom upotrebe, servisiranja i odlaganja uređaja, obratite pažnju na simbol sličan onome na levoj strani, koji se nalazi na zadnjoj strani uređaja (zadnja ploča ili kompresor) žute ili narandžaste boje. To je simbol koji označava rizik od požara. U rashladnim cevima i kompresoru nalaze se zapaljivi materijali.

Molimo da uređaj udaljite od izvora vatre tokom upotrebe, servisiranja i odlaganja.

# Opšti izgled uređaja

---



Beleška: Ova slika je samo za informaciju o delovima uređaja.

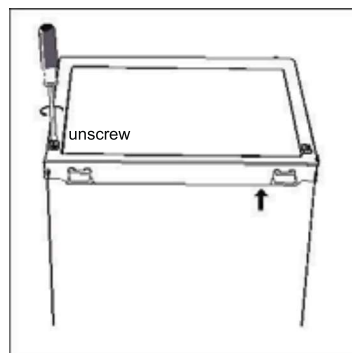
## Promenljiva strana postavljanja vrata

**Potreban alat:** krstasti šrafciger, ravan šrafciger, šestougaoni inbus.

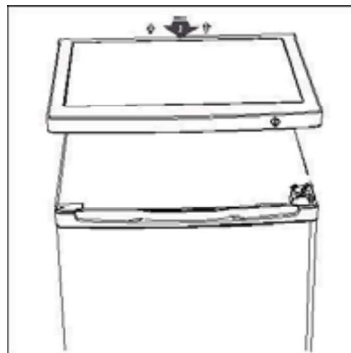
- Uverite se da je uređaj isključen i prazan.
- Da biste uklonili vrata, neophodno je da stavite uređaj u kosi položaj. Trebalo bi da naslonite uređaj na čvrstu površinu kako ne bi skliznuo tokom procesa zamene strane vrata.
- Sačuvajte sve uklonjene delove kako bi ponovo mogli da postavite vrata.
- Nemojte položiti uređaj u ležeći položaj jer to može oštetiti system za hlađenje.
- Preporučljivo je da dvoje ljudi učestvuje u procesu spajanja delova.
- Ovaj rasladni uređaj nije predviđen da se koristi kao ugradni uređaj.

1. Uklonite dva zavrtnja na zadnjoj strani poklopca

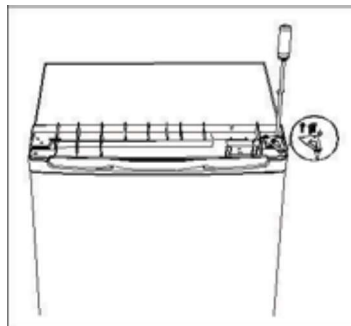
Odvijte



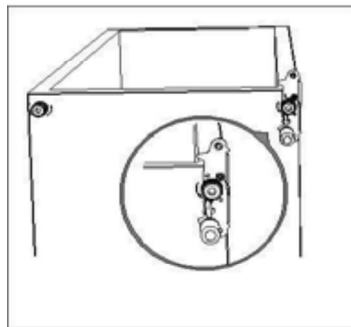
2. Uklonite gornji poklopac i dugme termostata , a zatim ga stavite na stranu .



3. Odvijte gornju šarku , a zatim uklonite vrata i stavite ih na mekanu podlogu da se izbegnu eventualne ogrebotine .

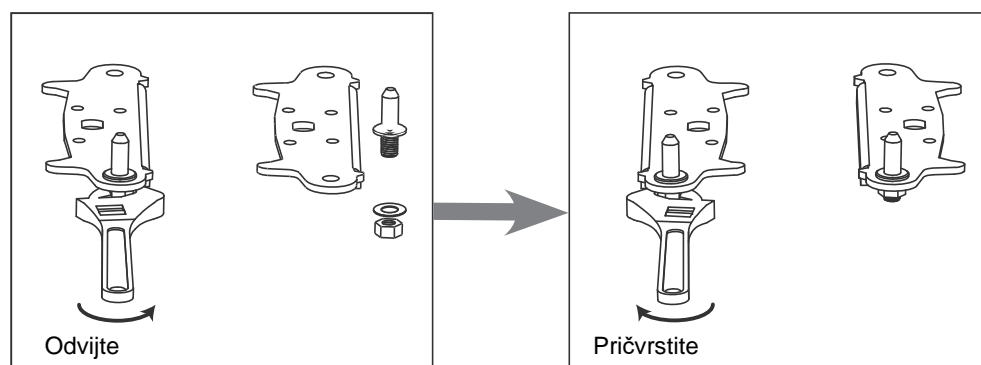


4. Odvijte donju šarku. Zatim uklonite nožice sa obe strane

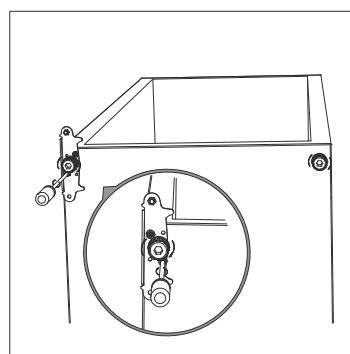


## Promenljiva strana postavljanja vrata

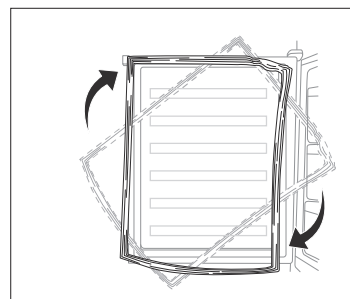
5. Odvijte i uklonite donju šarku okrenite nosač i zamenite ga



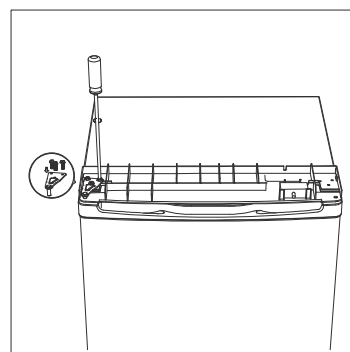
6. Vratite i podesite nosač podešavajući šarku. Zamenite obe nogice za nivelisanje.



7. Skinite zaprivne trake sa frižidera i zamrivača, zatim ih ponovo vratite nakon rotiranja.



8 Ponovo postavite vrata. Uverite se da su horizontalno i vertikalno u ravni, kako bi zapivke bile zatvorene sa obe strane pre konačnog zavrtnja gornje šarke.



## Promenljiva strana postavljanja vrata

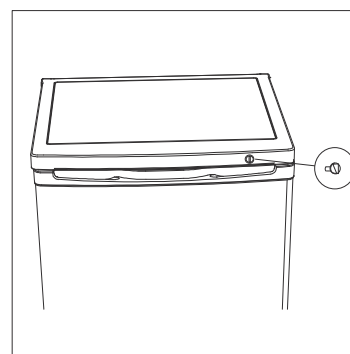
---

9. Stavite gornji poklopac i učvrstite pomoću 2 vijka na zadnjoj strani.

Pričvrstite

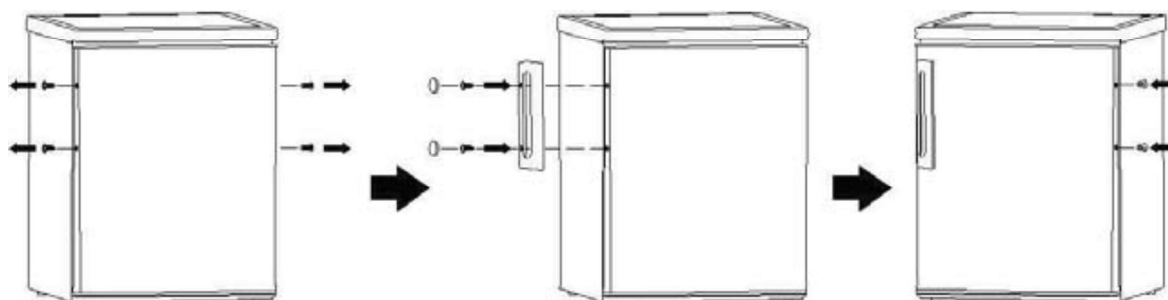


10. Učvrstite regulator termostata.



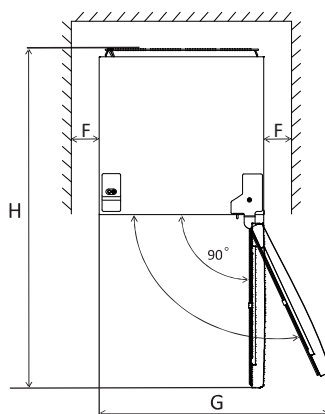
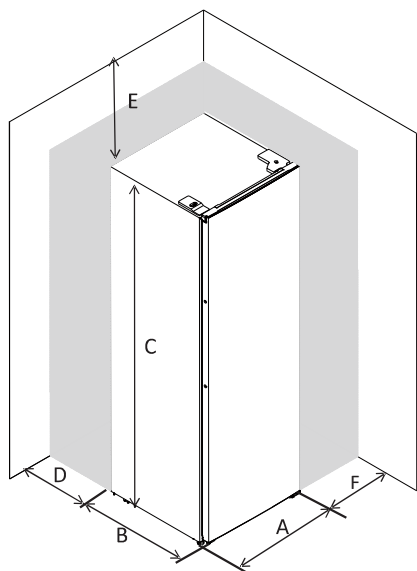
# Instalacija

## Postavljanje ručke za vrata



## Prostorni zahtevi

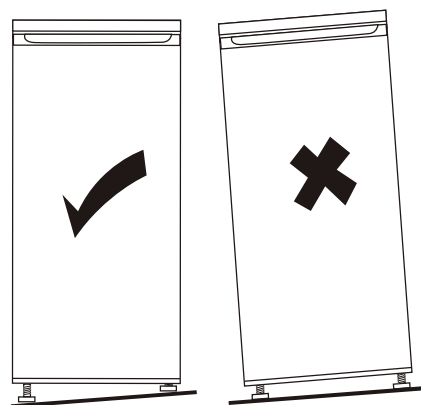
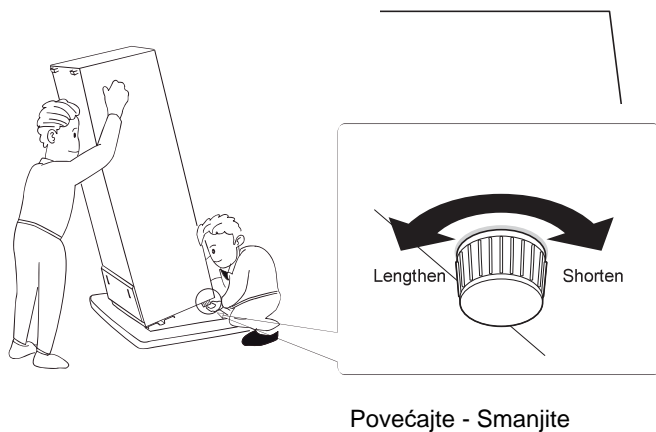
- Ostavite dovoljno prostora za otvaranje vrata.
- Ostavite najmanje 50mm prostora sa obe strane.



A	550
B	580
C	1420
D	min=50
E	min=50
F	min=50
G	960
H	1130
I	135°

## Nivelisanje uređaja

Da biste to učinili podesite dve nogare za nivelisanje na prednjoj strani uređaja.  
Ako uređaj nije u ravni, poravnavanje vrata i magnetne zaptivke neće biti pravilno urađeno.





# Postavljanje

---

## Pozicioniranje

Postavite ovaj uređaj na mesto gde sobna temperatura odgovara klimatskoj klasi naznačenoj na natpisnoj pločici uređaja: Za rashladne uređaje sa klimatskom klasom:

- Ispod normalne temperature: „ovaj rashladni uređaj predviđen je za upotrebu na sobnoj temperaturi u rasponu od 10 °C do 32 °C (SN);
- Normalna temperatura: „ovaj rashladni uređaj predviđen je za upotrebu na sobnoj temperaturi u rasponu od 16 °C do 32 °C (N);
- Ispod tropske temperature: „ovaj rashladni uređaj predviđen je za upotrebu na sobnoj temperaturi u rasponu od 16 °C do 38 °C (ST);
- Tropska temperatura: „Ovaj rashladni uređaj predviđen je za upotrebu na sobnoj temperaturi od 16 °C do 43 °C (T);

## Mesto postavljanja uređaja

Uređaj treba da bude postavljen na udaljenosti od izvora toplote kao što su radijatori, bojleri, direktna sunčeva svetlost i dr. Uverite se da vazduh može slobodno da cirkuliše oko zadnjeg dela zamrzivača. Ukoliko je uređaj postavljen ispod visećih delova na zidu, a kako biste obezbedili najbolju funkcionalnost uređaja, minimalna udaljenost između poklopca uređaja i elementa montiranog na zid mora biti najmanje 50mm. Ipak, najidealnije je da se uređaj ne postavlja ispod montiranih delova na zidu. Nivelisanje uređaja moguće je pomoću jedne ili više nogara na postolju uređaja. Ovaj rashladni uređaj nije predviđeno da se koristi kao uređaj ugradnog tipa.



**UPOZORENJE!** Neophodno je omogućiti isključivanje uređaja iz glavnog utikača; stoga utičnica mora biti dostupna nakon postavljanja uređaja.

## Električno povezivanje

Uverite se pre povezivanja da napon prikazan u tabeli odgovara naponu mreže vašeg domaćinstva. Utičnica u koju uključujete uređaj mora imati uzemljenje. Kabl za napajanje električnom energijom opremljen je kontaktima u tu svrhu. Ukoliko utičnica nije uzemljena, povežite uređaj na drugu utičnicu koja je u skladu sa osnovnim propisima, uz konsultaciju kvalifikovanog električara.

Proizvođač nije odgovoran ukoliko se ne preduzmu gore navedene mere opreza. Ovaj uređaj je izrađen u skladu sa direktivama EEC.

## Svakodnevna upotreba

### Prva upotreba

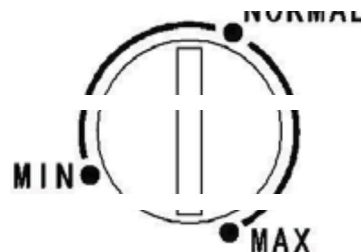
#### Čišćenje unutrašnjosti

Pre prve upotrebe uređaja isperite unutrašnjost i unutrašnje delove mlakom vodom i neutralnim sapunom kako bi otklonili blago neprijatan miris karakterističan kod novog uređaja, zatim temeljno osušiti.

**Važna napomena!** Nemojte koristiti abrazivna sredstva ili deterdžente, jer će to oštetiti finu obradu uređaja.

### Podešavanje temperature

- Uključite uređaj. Unutrašnja temperature kontroliše se pomoću termostata. Postoje tri nivoa **MIN**, **NORMAL** i **MAX**. **MIN** je najtopliji nivo, a **MAX** najhladniji.
- Uređaj možda neće funkcionisati na podešenoj temperature ukoliko je postavljen u prilično toploj prostoriji ili ako često otvarate vrata uređaja.



### Svakodnevna upotreba

Postavite različitu vrstu hrane prema tabeli ispod:

Pregrade frižidera	Vrsta hrane
Fioke/ police u zamrzivaču	<ul style="list-style-type: none"><li>- Hrana za dugotrajno čuvanje.</li><li>- Sirovo meso, živina, riba na donjoj polici/fioci.</li><li>- Smrznuto povrće, pomfrit na srednjoj polici/fioci.</li><li>- Sladoled, smrznuto voće, smrznuta peciva na gornjoj polici/ u fioci.</li></ul>

### Zamrzavanje sveže hrane

- Zamrzivač je pogodan za zamrzavanje sveže hrane i skladištenje zamrznute i duboko zamrznute hrane na duži vremenski period.
- Stavite svežu hranu u odeljak na dnu uređaja.
- Maksimalna količina hrane koja može biti zamrznuta u roku od 24 sata izložena je u tabeli.
- Proces zamrzavanja traje 24 sata: tokom ovog perioda nemojte dodavati drugu hranu da se zamrzne.

### Otapanje

Duboko zamrznuta ili zamrznuta hrana pre upotrebe treba da se otopi u frižideru ili na sobnoj temperaturi, u zavisnosti od raspoloživog vremena za ovaj proces. Mali delovi mogu se kuvati iako su još zamrznuti, direktno iz zamrzivača. U tom slučaju, kuvanje će trajati duže.

### Kocke leda

Ovaj uređaj može biti opremljen sa jednom ili više posuda za pravljenje kockica leda.

### Korisni saveti

#### Saveti za zamrzavanje

Da bismo vam pomogli u većini slučajeva zamrzavanja namirnica, evo nekoliko važnih saveta:

- maksimalna količina hrane koja može biti zamrznuta u roku od 24 sata izložena je u tabeli;
- proces zamrzavanja traje 24 sata: tokom ovog perioda nemojte dodavati drugu hranu da se zamrzne
- zamrzavati samo vrhunski kvalitetnu, svežu i temeljno očišćenu hranu;
- otpremajte hranu u malim porcijama kako bi omogućili brzo i potpuno zamrzavanje, i tako omogućite naknadno odmrzavanje samo potrebne količine;
- uvijte hranu u aluminijumsku ili polietilensku foliju i uverite se da su pakovanja hermetički zatvorena;
- ne dozvolite da sveža nezamrznuta hrana dolazi u dodir sa već zamrznutom hranom, kako bi izbegli porast temperature ranije zamrznute hrane;
- nemasna hrana bolje i duže se čuva od masne hrane; so smanjuje dužinu čuvanja hrane;
- komadi leda ukoliko se konzumiraju odmah nakon vađenja iz zamrzivača, mogu izazvati oštećenja na koži;
- preporučljivo je da se na svakom pojedinačnom pakovanju označi datum zamrzavanja i omogući vam da pratite vreme skladištenja.

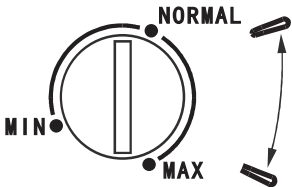
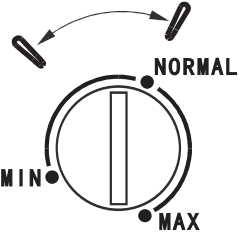
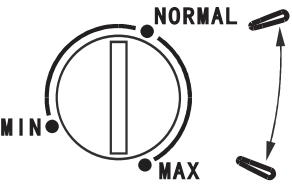
## Svakodnevna upotreba

### Skladištenje zamrznute hrane

Kada prvi put uključujete uređaj ili nakon perioda nekorišćenja uređaja, pre stavljanja hrane u zamrzivač pustite da uređaj radi najmanje dva sata na maksimalnoj temperaturi.

**Važna napomena!** U slučaju neplaniranog odmrzavanja, na primer ukoliko nije bilo struje od vrednosti prikazanih u tehničkim karakteristikama pod stavkom "vreme odmrzavanja", odmrznuta hrana mora biti konzumirana u kratkom vremenskom roku ili odmah skuvana i tek nakon kuvanja ponovo zamrznuta.

### Preporučene postavke temperature

Preporučene postavke temperature		
Temperatura okoline	Odeljak zamrzivača	Odeljak frižidera
Letnja		/
Normalna		/
Zimska		/

- Informacija data iznad predstavlja preporučene postavke temperature.

### Uticaj na skladištenje hrane

- Prema preporučenim postavkama, najbolje vreme skladištenja zamrzivača nije duže od 1 meseca.
- Najbolje vreme čuvanja može se smanjiti u drugim postavkama.

# Svakodnevna upotreba

---

## Saveti za otpremanje zamrznute hrane

Da biste postigli najbolje performanse ovog uređaja, trebalo bi da:

- se uverite da je komercijalna zamrznuta hrana adekvatno spakovana od strane prodavca;
- budete sigurni da je zamrznuta hrana premeštena iz prodavnice do zamrzivača u što kraćem vremenskom roku;
- ne otvarate često vrata ili ih ostavljate otvorena duže nego što je neophodno.
- jednom odmrznuta, hrana se kvari i ne može se ponovo zamrzavati.
- ne dozvolite da istekne vreme dozvoljeno za držanje hrane u zamrzivaču od strane proizvođača hrane.

## Čišćenje

Iz higijenskih razloga unutrašnjost uređaja, uključujući unutrašnje sastavne delove moraju se redovno čistiti.



**Oprez!** Uređaj ne sme biti uključen prilikom čišćenja. Postoji opasnost od elektrošoka! Pre čišćenja isključite uređaj i uklonite utikač iz utičnice. Nikada nemojte čistiti uređaj paročistačem. Vlaga se može zadržati na električnim delovima, opasnost od elektrošoka! Vrela para može dovesti do oštećenja plastičnih delova. Uređaj mora biti suv pre nego što se ponovo pusti u rad.

**Važno!** Eterična ulja i organski rastvarači mogu reagovati sa plastičnim delovima, na primer limunov sok ili sok od pomorandže, buterna kiselina, sredstva za čišćenje koja sadrže sirćetnu kiselinu.

- Nemojte dozvoliti da takve supstance dođu u kontakt sa delovima uređaja.
- Nemojte koristiti nikakva abrazivna sredstva.
- Odstranite hranu iz zamrzivača. Čuvajte je na hladnom mestu, dobro pokrivenu.
- Isključite aparat i izvucite utikač sa električne mreže ili isključite osigurač.
- Očistite uređaj i unutrašnje delove krpom i mlakom vodom. Nakon čišćenja obrišite čistom vodom i dobro osušite.
- Taloženje prašine na kondenzatoru povećava potrošnju električne energije. Iz tog razloga pažljivo očistite kondenzator na poleđini uređaja mekom četkom ili vakuumskim čistačem jednom godišnje. <sup>1)</sup>
- Nakon što je sve osušeno ponovo pustite uređaj u rad.

## Odmrzavanje zamrzivača

Zamrzivač će svakako vremenom biti prekriven mrazom. Ovo treba da se ukloni. Nikada ne koristite oštri metalni alat da ostružete mraz sa isparivača jer ga možete oštetiti.


Međutim, kada led postane veoma gust na unutrašnjoj strani, pristupite odmrzavanju na sledeći način:

- izvući utikač iz utičnice;
- ukloniti svu skadištenu hranu, umotati je u nekoliko istova novina i staviti na hladno mesto;
- držati otvorena vrata, i postaviti posudu ispod uređaja kako bi se skupila odmrznuta voda;
- kada je odmrzavanje završeno, temeljno osušiti unutrašnjost uređaja
- ponovo staviti utikač u utičnicu kako bi pustili uređaj ponovo u rad.

1) Ako je kondenzator na poleđini uređaja

## Svakodnevna upotreba

### Rešavanje problema

 **Oprez!** Pre rešavanja problema, isključite kabal za napajanje. Samo kvalifikovani električar može otkloniti kvar koji nije naveden u ovom uputstvu.

**Važno!** Prilikom normalne upotrebe prisutni su određeni zvuci (kompresor, cirkulacija rashladnog sredstva).

Problem	Mogući uzrok	Rešenje
Uređaj ne radi	Glavni utikač nije priključen ili je oslabio.	Priključite glavni utikač.
	Osigurač je pregoreo ili je u kvaru.	Proveriti osigurač, zameniti ukoliko je potrebno.
	Utičnica je neispravna.	Glavni kvarovi moraju biti odstranjeni od strane električara.
Uređaj previše zamrzava	Temperatura je podešena na hladno ili uređaj radi sa MAX podešavanjima.	Podesite regulator temperature privremeno na više temperature.
Hrana nije dovoljno zamrznuta.	Temperatura nije adekvatno podešena.	Molimo da pogledate u odeljku Podešavanje početne temperature.
	Vrata su otvorena duži period.	Držati otvorena vrata samo koliko je neophodno.
	Velika količina tople hrane je otpremljena u uređaj tokom prethodna 24 sata.	Podesite regulator temperature privremeno na nižu temperaturu.
	Uređaj je blizu izvora toplote.	Molimo da pogledate u odeljku Instalacija uređaja i njegovo postavljanje.
Stalno gomilanje mraza na vratima.	Vrata nisu hermetički zatvorena.	Pažljivo zagrejte delove na vratima koji cure fenom za kosu (podešenom na hladjenje). Istovremeno oblikujte držač vrata rukom da je vratite u prvobitan oblik.
Netipična buka	Uređaj nije nivelisan.	Podesite nožice za podešavanje.
	Uređaj dodiruje zid ili druge predmete.	Blago pomerite uređaj.
	Sastavni deo, na pr cev, sa zadnje strane aparata dodiruje zid ili drugi deo uređaja.	Ukoliko je potrebno, pažljivo pomerite taj deo.

Ukoliko se kvar ponovo javi, kontaktirajte Servisni centar.

Ovi podaci potrebni su da Vam pomognu brzo i ispravno. Upišite neophodne podatke ovde, pogledajte natpisnu tablicu.



HRV

**Upute za uporabu**  
**Zamrzivač VF 2510F**  
**VF 2510SF**

**EAC**

# Sadržaj

1. Sigurnosna upozorenja	strana 1-11
2. Opći izgled uređaja	strana 12
3. Promjena smjera otvaranja vrata	strana 13-15
4. Postavljanje	strana 16-17
5. Svakodnevna uporaba	strana 18-21

## **Sigurnosna upozorenja**



U Vašem je interesu da osigurate pravilnu i sigurnu uporabu, te prije postavljanja i prve uporabe uređaja, pažljivo pročitajte ovaj korisnički priručnik, uključujući njegove savjete i upozorenja. Da biste izbjegli nepotrebne greške i nezgode, neophodno je da svi korisnici uređaja budu detaljno upoznati sa njegovim radom i sigurnim funkcijama. Sačuvajte ove upute i osigurajte da ostanu uz uređaj ako mu mijenjate mjesto ili ga prodajete, tako da svi koji ga koriste tijekom njegovog vijeka trajanja budu pravilno informirani o uporabi i sigurnosti uređaja. Radi sigurnosti života i imovine pridržavajte se naputaka u ovom korisničkom priručniku, jer proizvođač ne snosi odgovornost za štetu izazvanu nepoštovanjem mjera opreza.

### **Sigurnost djece i osoba sa smanjenim sposobnostima**


- Ovaj aparat mogu koristiti djeca dobi od 8 i više godina i osobe sa smanjenim fizičkim osjetilnim ili mentalnim sposobnostima ili nedostatkom iskustva i znanja ako su pod nadzorom ili su dobile upute o korištenju uređaja na siguran način i razumiju opasnosti kojoj mogu biti izložene.
- Djeci u dobi od 3 do 8 godina dopušteno je da




pune i prazne rashladne uređaje.

- Djeca treba da budu pod nadzorom da se ne bi igrala s uređajem.
- Čišćenje i održavanje uređaja ne smiju vršiti djeca osim ako imaju 8 ili više godina i ako su pod nadzorom.
- Čuvajte sav ambalažni materijal udaljen od djece. Postoji rizik od gušenja.
- Ukoliko odlažete uređaj, izvucite utikač iz utičnice, odsijecite naponski kabel (što je moguće bliže uređaju) i uklonite vrata kako biste spriječili da se djeca igraju s uređajem, strujni udar ili da se djeca zatvore unutar uređaja
- Ukoliko vaš stari uređaj ima magnetnu brtvu, razbijte ili uklonite je prije odlaganja starog uređaja. To će spriječiti da postane smrtonosna zamka za dijete.

### Opća sigurnost

 **UPOZORENJE!** Držite bez opstrukcija otvore ventilacije koji se nalaze u okruženju uređaja ili su ugrađeni u strukturu uređaja.

 **UPOZORENJE!** Ne koristite mehaničke uređaje ili druge načine za ubrzavanje odleđivanja, osim onih preporučenih od strane proizvođača.

 **UPOZORENJE!** Nemojte oštetiti rashladni krug.

## **⚠ Sigurnosna upozorenja**



**⚠ UPOZORENJE!** Ne koristite druge električne uređaje (kao na pr. aparate za pravljenje sladoleda) unutar odjeljaka ovog uređaja, osim ako su tipa koje je preporučio proizvođač.

**⚠ UPOZORENJE!** Ne dodirivati žarulju ukoliko je dugo uključena jer može biti jako vruća.<sup>1)</sup>

**⚠ UPOZORENJE!** Kada postavljate uređaj, uvjerite se da naponski kabel nije uvijen ili oštećen.

**⚠ UPOZORENJE!** Nemojte postavljati više prenosnih utičnica na stražnjoj strani uređaja.


- Nemojte držati eksplozivne tvari, kao što su aerosol posude sa zapaljivim plinovima, u ovom uređaju.
- Izobutan (R600a), kojeg sadrži rashladno kolo ovog uređaja, je prirodni plin bez štetnog utjecaja na životnu sredinu, ali je zapaljiv.
- Prilikom transporta i postavljanja uređaja, uvjerite se da nijedan dio rashladnog kola ne bude oštećen.
- Izbjegavajte otvorene plamenove i izvore paljenja
- Pažljivo prozračite prostoriju u kojoj je smješten uređaj


1) Ukoliko ima osvjetljenja u odjeljku uređaja.

## **Sigurnosna upozorenja**



- Opasno je mijenjati specifikacije ili ovaj uređaj na bilo koji način. Svako oštećenje naponskog kabla može prouzročiti kratak spoj, vatru i/ili električni šok.
- Ovaj uređaj namijenjen je uporabi u kućanstvu i sličnim namjenama, kao što su:
  - kuhinje u trgovinama, uredima i drugim radnim okruženjima;
  - farme i sobe dostupne gostima u hotelima, motelima i drugim smještajnim prostorijama;
  - okruženjima tipa noćenje s doručkom;
  - ugostiteljstvu i sličnim namjenama koja ne spadaju u maloprodaju.

 **UPOZORENJE!** Svaki električni dio (utikač, naponski kabel, kompresor i td.) mora biti zamijenjen od strane kvalificiranog tehničara ili ovlaštenog servisnog agenta.

 **UPOZORENJE!** Žarulja koja se koristi u uređaju je “žarulja sa posebnom namjenom” koja se može koristiti samo kao pomoćni dio uređaja.

Ova “žarulja sa posebnom namjenom” ne može se koristiti za sobno osvjetljenje u kućanstvu.<sup>1)</sup>

- Nemojte koristiti produžne kablove.
- Uvjerite se da utikač nije prignječen ili oštećen na

stražnjoj strani uređaja. Prignječeni ili oštećeni utikač može dovesti do pregrijavanja i izazvati požar.

- Uvjerite se da možete doći do strujnog utikača uređaja.
- Nemojte vući naponski kabel.
- Ukoliko je utikač slabo povezan, ne ubacujte u utičnicu. Postoji rizik od elektrošoka ili požara.
- Ne smijete rukovati uređajem bez lampe.
- Ovaj uređaj je težak. Voditi računa prilikom pomicanja.
- Ne uklanjajte i ne dodirujte stvari iz zamrzivača ukoliko su vam ruke vlažne/mokre, jer može doći do ogrebotina na koži ili ozeblina.
- Izbjegavajte dugo izlaganje uređaja dnevnoj svjetlosti.

### **Svakodnevna uporaba**

- Ne stavljajte ništa vruće na plastične dijelove u uređaju.
- Ne stavljajte prehrambene proizvode direktno uz stražnju stijenku.

1)Ukoliko ima osvjetljenja u odjeljku uređaja.

## **Sigurnosna upozorenja**



- Jednom odmrznuta hrana ne smije se ponovo zamrzavati.<sup>1)</sup>
- Otpremite hranu za pakiranje prema uputama proizvođača za otpremanje hrane za zamrzavanje.<sup>1)</sup>
- Preporuke proizvođača za čuvanje hrane u uređaju moraju se strogo poštovati. Pogledajte relevantne upute.
- Nemojte stavljati gazirana pića u odjeljak za zamrzavanje, jer dolazi do stvaranja potiska unutar ambalaže, što može dovesti do eksplozije i oštećenja na uređaju.<sup>1)</sup>
- Kocke leda mogu da dovedu do ozeblina ukoliko se koriste odmah po vađenju iz uređaja.<sup>1)</sup>
- Da biste izbegli kontaminaciju hrane, obratite pažnju na sledeće instrukcije
- Otvaranje vrata na duži period može uzročiti značajan porast temperature u pregradama uređaja.
- Redovito čistite površine koje mogu stupiti u kontakt sa hranom i dostupnim sustavima odvoda.

<sup>1)</sup> Ukoliko postoji odjeljak zamrzivača.

## **⚠ Sigurnosna upozorenja**



- Očistite spremnik za vodu ako ne se koristi 48 sata; isperite sustav za vodu povezan sa vodosnabdijevanjem ako voda nije oticala 5 dana.
- U hladnjaku čuvajte sirovo meso i ribu u odgovarajućim posudama, tako da ne dođe u kontakt sa drugom hranom ili da ne kaplje na drugu hranu.
- Odjeljci sa dve zvijezde (ukoliko ih ima u uređaju) pogodni su za čuvanje prethodno zamrznute hrane, čuvanje ili pravljenje sladoleda ili ledenih kocki.
- Odjeljci sa jednom, dvije ili tri zvijezde (ukoliko ih ima u uređaju) nisu pogodni za zamrzavanje svježe hrane.
- Ukoliko je aparat za hlađenje ostavljen prazan na duži period, isključite ga, odmrznite, očistite, osušite i ostavite vrata otvorena da spriječite razvoj plijesni u uređaju.

## **Održavanje i čišćenje**

- Prije održavanja, isključite uređaj i izvadite utikač iz zidne utičnice.
- Nemojte čistiti uređaj metalnim predmetima.
- Nemojte koristiti oštre predmete za uklanjanje mraza u uređaju. Koristite plastičnu grebalicu.<sup>1)</sup>

1) Ukoliko postoji odjeljak zamrzivača.

- Redovito provjeravajte odvod zamrznute vode u hladnjaku. Po potrebi, očistite odvod.

Ukoliko je odvod blokiran, voda će se sakupljati na dnu uređaja.<sup>1)</sup>

### **Postavljanje**

**Važno!** Kod električnog povezivanja pažljivo pratite date instrukcije u određenim odjeljcima.

- Raspakirajte uređaj i provjerite da na njemu nema oštećenja. Nemojte povezivati uređaj ukoliko je oštećen. Prijavite moguća oštećenja odmah trgovini u kojoj ste kupili uređaj. U tom slučaju sačuvajte ambalažni materijal.
- Preporučuje se da sačekate najmanje 4 sata prije povezivanja uređaja kako bi se ulje u kompresoru rasporedilo pravilno.
- Obezbediti adekvatan protok zraka oko uređaja, kako ne bi došlo do pregrijavanja. Da biste obezbjedili dovoljno zraka, pratite relevantne upute za postavljanje.
- Izbjegavati da štitnici uređaja dodiruju stijenku ili tople dijelove (kompresor, kondenzator) kako biste spriječili moguće gorenje uređaja
- Uređaj ne smije biti postavljen u blizini radijatora ni štednjaka.

1) Ukoliko postoji odjeljak za čuvanje svježe hrane.

- Uvjerite se da je utičnica dostupna nakon postavljanja uređaja.

### **Servisiranje**

- Svaka električna intervencija koja zahtijeva servisiranje uređaja mora biti obavljena od strane kvalificiranog električara ili kompetentne osobe.
- Ovaj proizvod mora biti servisiran od strane ovlaštenog servisnog centra, i mogu se koristiti samo originalni rezervni dijelovi.

### **Savjeti za uštedu energije**


- Nemojte stavljati toplu hranu u uređaj;
- Nemojte držati spakiranu hranu blizu jednu drugoj jer to sprječava cirkuliranje zraka;
- Uvjerite se da hrana ne dodiruje zidove odjeljaka;
- Ukoliko dođe do nestanka struje, nemojte otvarati vrata;
- Nemojte često otvarati vrata;
- Nemojte držati vrata dugo otvorena;
- Nemojte podešavati termostat na suviše niske temperature;
- Pojedine dijelove, kao što su ladice, treba držati zbog manje potrošnje električne energije.





### Zaštita životne sredine




Ovaj uređaj ne sadrži plinove koji mogu oštetiti ozonski omotač, kao ni rashladno kolo ni izolacioni materijal. Uređaj ne treba odstraniti zajedno sa gradskim otpadom. Izolacijska pjena sadrži zapaljive plinove: ovaj uređaj treba odložiti u skladu sa zakonskom regulativom za otklanjanje uređaja dobijenom od lokalnih vlasti. Izbjegavajte oštećenja rashladnog dijela, osobito toplotnog grijača. Materijali korišteni na ovom uređaju koji su označeni simbolom  mogu se reciklirati.



Simbol na proizvodu ili njegovoj ambalaži označava da se s tim proizvodom ne smije postupati kao s kućnim otpadom. Umjesto toga, proizvod treba biti uklonjen od strane odgovarajućeg centra za reciklažu elektroničke i električne opreme. Ispravnim uklanjanjem ovog proizvoda, spriječavate potencijalne negativne posljedice na okoliš i zdravlje ljudi, koji bi inače mogli biti ugroženi neodgovarajućim rukovanjem otpadom ovog proizvoda. Za detaljnije informacije o recikliranju ovog uređaja, molimo kontaktirajte odgovarajući lokalni ured, ured za zbrinjavanje kućnog otpada ili trgovinu gdje ste kupili uređaj.

## Materijali za ambalažu

Materijali sa simbolom  mogu se reciklirati. Odložite materijal za pakiranje u adekvatne kontejnere za reciklažu.

## Odlaganje uređaja

1. Odspojite glavni utikač iz utičnice.
2. Isijecite naponski kabel i odložite ga.



## UPOZORENJE!

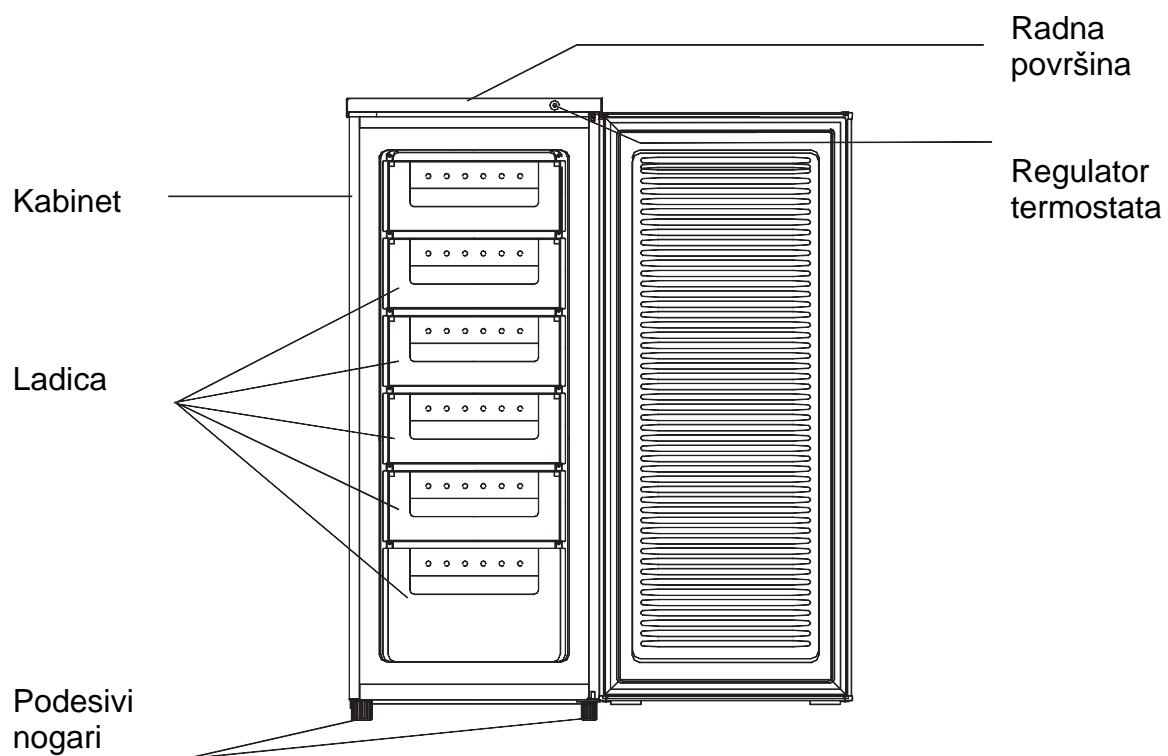
Tijekom uporabe, servisiranja i odlaganja uređaja, obratite pažnju na simbol sličan onome na lijevoj strani, koji se nalazi na stražnjoj strani uređaja (stražnja ploča ili kompresor) žute ili narandžaste boje.

To je simbol koji označava rizik od požara. U rashladnim cijevima i kompresoru nalaze se zapaljivi materijali.

Molimo da uređaj udaljite od izvora vatre tijekom uporabe, servisiranja i odlaganja.

# Opći izgled uređaja

---



Bilješka: Ova slika je samo za informaciju o dijelovima uređaja

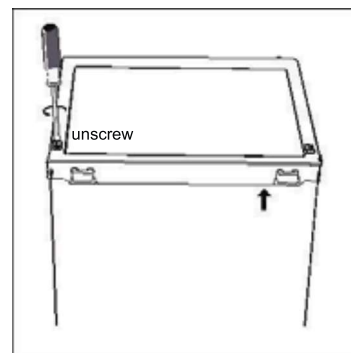
# Promjena smjera otvaranja vrata

**Potrebni alat:** Philipsov odvijač, odvijač s ravnom glavom, šesterokutni imbus ključ.

- Uvjerite se da je uređaj isključen i prazan.
- Da biste uklonili vrata, neophodno je da stavite uređaj u kosi položaj. Trebalo bi nasloniti uređaj na čvrsto tle kako ne bi skliznuo tijekom procesa zamjene strane vrata.
- Sačuvajte sve uklonjene dijelove kako bi ponovo mogli postaviti vrata.
- Nemojte položiti uređaj u ležeći položaj jer to može oštetiti sustav za hlađenje.
- Preporučljivo je da dvije osobe učestvuju u procesu spajanja dijelova.
- Ovaj rasladni uređaj nije predviđen da se koristi kao ugradbeni uređaj.

1. Uklonite dva vijka na stražnjoj strani poklopca

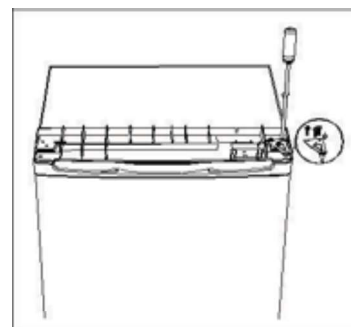
Odvijte



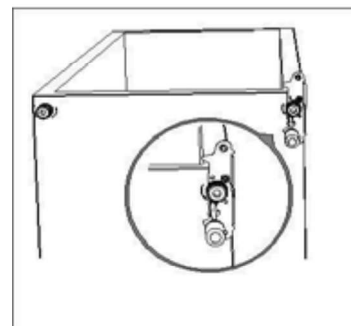
2. Uklonite gornji poklopac i gumb termostata , a zatim ga stavite na stranu .



3. Odvijte gornju šarku , a zatim uklonite vrata i stavite ih na mekanu podlogu da se izbjegnu eventualne ogrebotine .

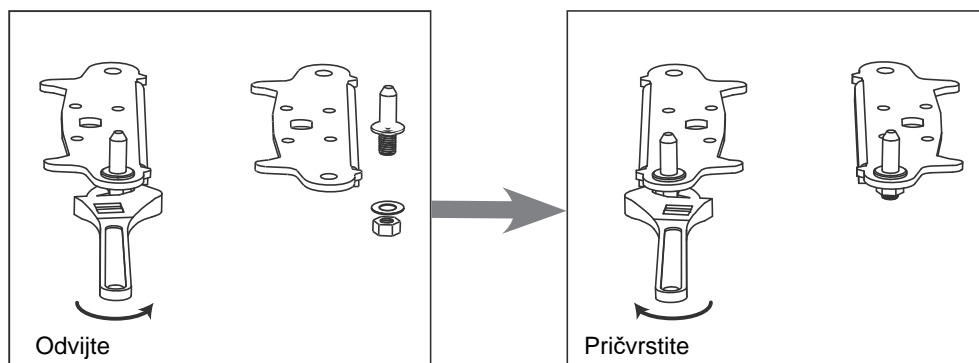


4. Odvijte donju šarku. Zatim uklonite nožice sa obje strane

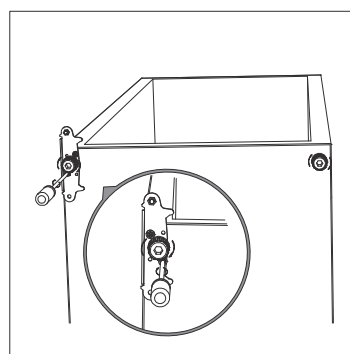


# Promjena smjera otvaranja vrata

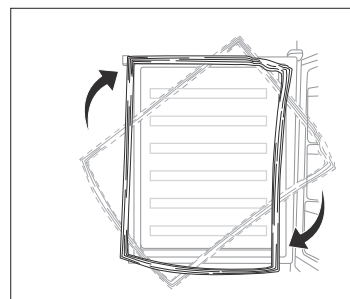
5. Odvijte i uklonite donju šarku, okrenite nosač i zamijenite ga.



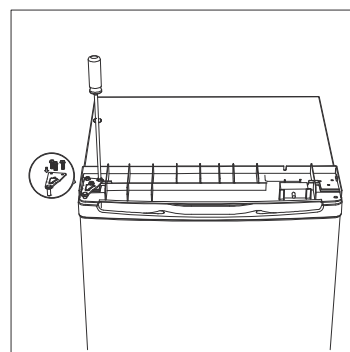
6. Vratite i podesite nosač podešavajući šarku. Zamijenite obje nogice za niveliranje.



7. Skinite brtve sa hladnjaka i zamrzivača, zatim ih ponovno vratite nakon rotiranja.



8 Ponovo postavite vrata. Uvjerite se da su vodoravno i okomito u ravni, kako bi brtve bile zatvorene sa obje strane prije konačnog zavrtanja gornje šarke.

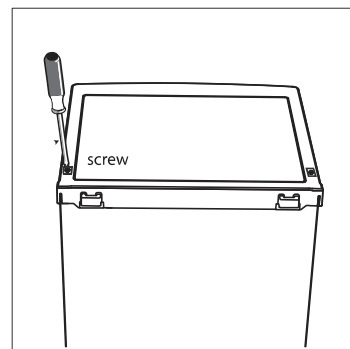


# Promjena smjera otvaranja vrata

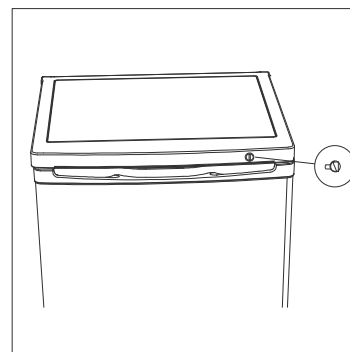
---

9. Stavite gornji poklopac i učvrstite pomoću 2 vijka na stražnjoj strani.

Pričvrstite

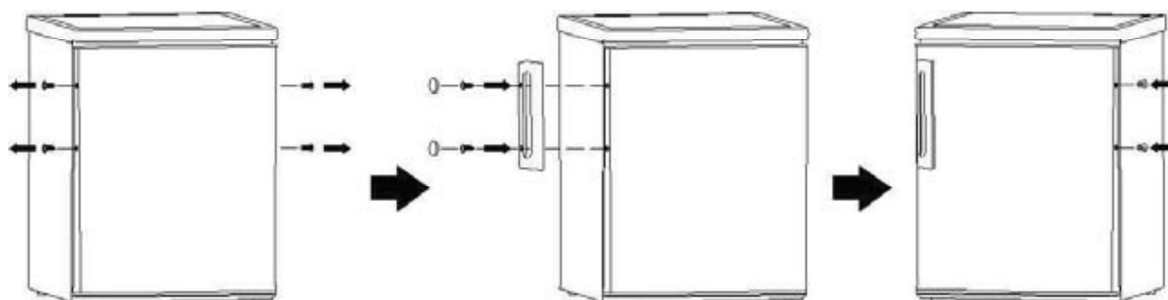


10. Učvrstite regulator termostata.



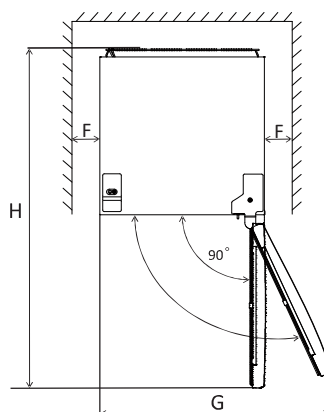
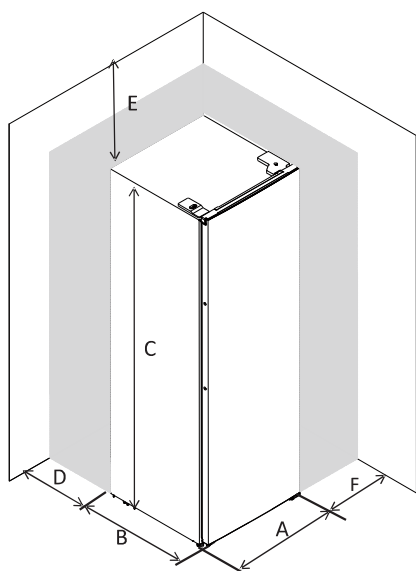
# Postavljanje

## Postavljanje ručke za vrata



## Prostorni zahtjevi

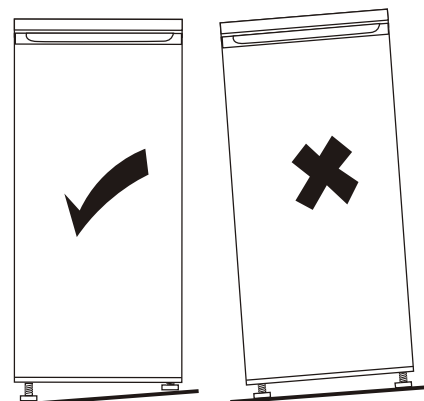
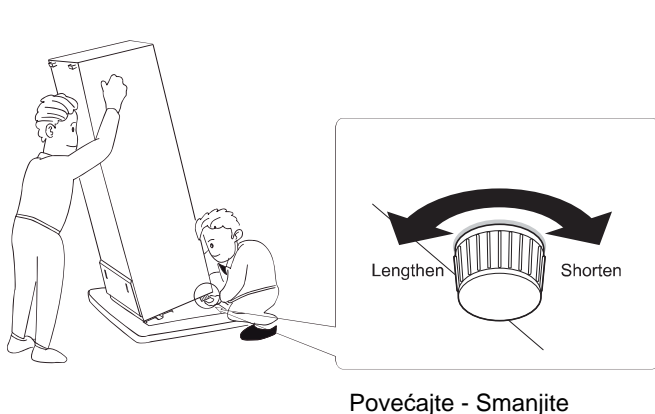
- Ostavite dovoljno prostora za otvaranje vrata.
- Ostavite najmanje 50mm prostora sa obje strane.



A	550
B	580
C	1420
D	min=50
E	min=50
F	min=50
G	960
H	1130
I	135°

## Niveliranje uređaja

Da biste to učinili podesite dvije nogare za niveliranje na prednjoj strani uređaja. Ako uređaj nije u ravni, poravnanje vrata i magnetne brtve neće biti urađeno ispravno.



# Postavljanje

## Pozicioniranje

Postavite ovaj uređaj na mjesto gdje sobna temperatura odgovara klimatskoj klasi naznačenoj na natpisnoj pločici uređaja:

Za rashladne uređaje sa klimatskom klasom:

- Ispod normalne temperature: „ovaj rashladni uređaj predviđen je za uporabu na sobnoj temperaturi u rasponu od 10 °C do 32 °C (SN);
- Normalna temperatura: „ovaj rashladni uređaj predviđen je za uporabu na sobnoj temperaturi u rasponu od 16 °C do 32 °C (N);
- Ispod tropske temperature: „ovaj rashladni uređaj predviđen je za uporabu na sobnoj temperaturi u rasponu od 16 °C do 38 °C (ST);
- Tropska temperatura: „Ovaj rashladni uređaj predviđen je za uporabu na sobnoj temperaturi od 16 °C do 43 °C (T);

## Mjesto postavljanja uređaja

Uređaj treba postaviti na udaljenosti od izvora topline kao što su radijatori, bojleri, izravna sunčeva svjetlost i dr. Uvjerite se da zrak može slobodno cirkulirati oko stražnjeg dijela zamrzivača. Ukoliko je uređaj postavljen ispod visećih dijelova na zidu, a kako biste osigurali najbolju funkcionalnost uređaja, minimalna udaljenost između poklopca uređaja i elementa montiranog na zid mora biti najmanje 50mm. Ipak, najidealnije je da se uređaj ne postavlja ispod montiranih dijelova na zidu. Niveliranje uređaja moguće je pomoću jedne ili više nogara na postolju uređaja. Ovaj rashladni uređaj nije predviđen da se koristi kao uređaj ugradbenog tipa.



**UPOZORENJE!** Neophodno je omogućiti isključivanje uređaja iz glavnog utikača; stoga utičnica mora biti dostupna nakon postavljanja uređaja.

## Električno povezivanje

Uvjerite se prije povezivanja da napon prikazan u tabeli odgovara naponu mreže vašeg kućanstva. Utičnica u koju uključujete uređaj mora imati uzemljenje. Kabel za napajanje električnom energijom opremljen je kontaktima u tu svrhu. Ukoliko utičnica nije uzemljena, povežite uređaj na drugu utičnicu koja je u skladu sa osnovnim propisima, uz konsultaciju kvalificiranog električara.

Proizvođač nije odgovoran ukoliko se ne preduzmu gore navedene mjere opreza. Ovaj uređaj je izrađen u skladu sa direktivama EEC.



# Svakodnevna uporaba

## Prva uporaba

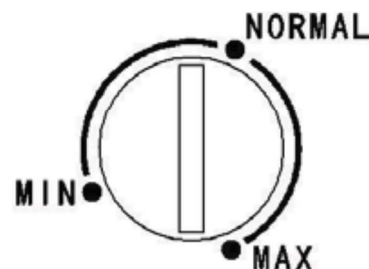
### Čiščenje unutarjosti

Prije prve uporabe uređaja isperite unutrašnjost i unutrašnje dijelove mlakom vodom i neutralnim sapunom kako biste otklonili blago neprijatan miris karakterističan kod novog uređaja, zatim temeljito osušiti.

**Važna napomena!** Nemojte koristiti abrazivna sredstva ili deterđente, jer će to oštetiti finu obradu uređaja.

### Podešavanje temperature

- Uključite uređaj. Unutarnja temperatura kontrolira se pomoću termostata. Postoje tri razine **MIN**, **NORMAL** i **MAX**. **MIN** je najtoplija razina, a **MAX** najhladnija.
- Uređaj možda neće funkcionirati na podešenoj temperaturi ukoliko je postavljen u prilično toploj prostoriji ili ako često otvarate vrata uređaja.



## Svakodnevna uporaba

Postavite različitu vrstu hrane prema tabeli ispod:

Refrigerator compartments	Type of food
Ladice/ police u zamrzivaču	<ul style="list-style-type: none"><li>•Hrana za dugotrajno čuvanje.</li><li>• Sirovo meso, živina, riba u donjoj ladici/fioci.</li><li>• Smrznuto povrće, pomfrit u srednjoj ladici/fioci.</li><li>• Sladoled, smrznuto voće, smrznuta peciva u gornjoj ladici/ u fioci.</li></ul>

### Zamrzavanje svježe hrane

- Zamrzivač je pogodan za zamrzavanje svježe hrane i skladištenje zamrznute i duboko zamrznute hrane na dulji vremenski period.
- Stavite svježu hranu u odjeljak na dnu uređaja.
- Maksimalna količina hrane koja može biti zamrznuta u roku od 24 časa je navedena u tabeli.
- Proces zamrzavanja traje 24 časa: tijekom tog razdoblja ne dodavajte drugu koju treba zamrznuti.

### Odmrzavanje

Duboko zamrznuta ili zamrznuta hrana prije uporabe treba se odmrznuti u hladnjaku ili na sobnoj temperaturi, ovisno o raspoloživom vremenu za ovaj proces. Mali dijelovi mogu se kuhati iako su još zamrznuti, izravno iz zamrzivača. U tom slučaju, kuhanje će potrajati duže.

### Kocke leda

Ovaj uređaj može biti opremljen sa jednom ili više posuda za pravljenje kockica leda.

## Korisni savjeti

### Savjeti za zamrzavanje

Kako bismo vam pomogli u većini slučajeva zamrzavanja namirnica, evo nekoliko važnih savjeta:

- maksimalna količina hrane koja se može zamrznuti u roku od 24 časa prikazana je u tabeli.
- proces zamrzavanja traje 24 časa: tijekom ovog perioda nemojte dodavati drugu hranu da se zamrzne
- zamrzavati samo vrhunski kvalitetnu, svježu i temeljito očišćenu hranu;
- pohranjajte hranu u malim porcijama kako bi se brzo i potpuno zamrzle, i tako omogućite brže odmrzavanje samo potrebne količine;
- uvijte hranu u aluminijsku ili polietilensku foliju i uvjerite se da su pakovanja hermetično zatvorena;
- ne dozvolite da svježa nezamrznuta hrana dolazi u dodir sa već zamrznutom hranom, kako bi izbjegli porast temperature ranije zamrznute hrane;
- nemasna hrana bolje i dulje se čuva od masne hrane; sol smanjuje rok trajanja hrane;
- komadi leda ukoliko se konzumiraju odmah nakon vađenja iz zamrzivača, mogu izazvati oštećenja na koži;
- preporučljivo je da se na svakom pojedinačnom pakiranju označi datum zamrzavanja i omogućí vam da partite vrijeme skladištenja.

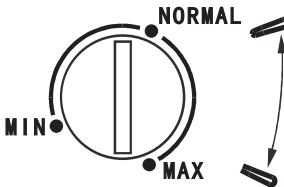
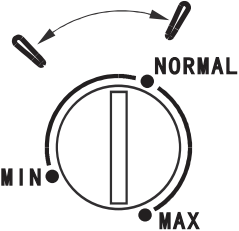
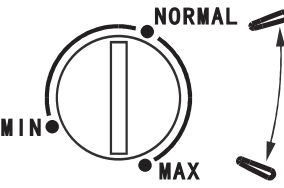
# Svakodnevna uporaba

## Skladištenje zamrznute hrane

Kada prvi put uključujete uređaj ili nakon perioda nekoristenja uređaja, prije stavljanja hrane u zamrzivač pustite da uređaj radi najmanje dva sata na maksimalnoj temperaturi.

**Važna napomena!** U slučaju neplaniranog odmrzavanja, na primjer ukoliko nije bilo struje od vrijednosti prikazanih u tehničkim karakteristikama pod stavkom "vrijeme odmrzavanja", odmrznuta hrana mora biti konzumirana u kratkom vremenskom roku ili odmah skuhana i tek nakon kuhanja ponovo zamrznuta.

## Preporučene postavke temperature

Preporučene postavke temperature		
Temperatura okoline	Odjeljak zamrzivača	Odjeljak hladnjaka
Ljetna		/
Normalna		/
Zimska		/

\* Informacija dana iznad predstavlja preporučene postavke temperature.

## Utjecaj na skladištenje hrane

- Prema preporučenim postavkama, najbolje vrijeme skladištenja zamrzivača nije duže od 1 mjeseca.
- Najbolje vrijeme čuvanja može se smanjiti u drugim postavkama.

# Svakodnevna uporaba

---

## Savjeti za pohranjivanje zamrznute hrane

Da biste postigli najbolje performanse ovog uređaja, trebali biste da:

- se uvjerite da je komercijalna zamrznuta hrana pravilno pohranjena od strane prodavača;
- budete sigurni da je zamrznuta hrana stavljene iz trgovine u zamrzivač u što kraćem vremenskom roku;
- ne otvarate često vrata ili ih ostavljate otvorena duže nego je to potrebno.
- jednom odmrznuta, hrana se kvari i ne može se ponovo zamrzavati.
- ne dozvolite da istekne vrijeme dozvoljeno za čuvanje hrane u zamrzivaču od strane proizvođača hrane.

## Čišćenje

Iz higijenskih razloga unutarnjost uređaja, uključujući unutarnje sustavne dijelove moraju se redovito čistiti.



**Pozor!** Uređaj ne smije biti uključen u struju prilikom čišćenja. Postoji opasnost od električnog udara! Prije čišćenja isključite uređaj i uklonite utikač iz utičnice. Nikada nemojte čistiti uređaj paročistačem. Vлага se može zadržati na električnim dijelovima, opasnost od električnog udara! Vruća para može dovesti do oštećenja plastičnih dijelova. Uređaj mora biti suv prije nego što se ponovo pusti u rad.

**Važno!** Eterična ulja i organska otapala mogu reagirati s plastičnim dijelovima, na primjer limunov sok ili sok od naranče, buterna kiselina, sredstva za čišćenje koja sadrže ocatnu kiselinu.

- Nemojte dopustiti da takve tavrī dođu u kontakt s dijelovima uređaja.
- Nemojte koristiti nikakva abrazivna sredstva.
- Odstranite hranu iz zamrzivača. Čuvajte je na hladnom mjestu, dobro pokrivenu.
- Isključite uređaj i izvadite utikač iz utičnice ili isključite uređaj ili prekidač na osiguraču.
- Očistite uređaj i unutrašnje dijelove krpom i mlakom vodom. Nakon čišćenja obrišite čistom vodom i dobro osušite.
- Taloženje prašine na kondenzatoru povećava potrošnju električne energije. Iz ovog razloga pažljivo očistite kondenzator na stražnjoj strani uređaja mekom četkom ili usisavačem jednom godišnje.<sup>1)</sup>
- Nakon što je sve osušeno ponovo pustite uređaj u rad.

## Odmrzavanje zamrzivača

Zamrzivač će svakako vremenom biti prekriven ledom. Ovo treba ukloniti. Nikada ne koristite oštri metalni alat da ostružete led sa isparivača jer ga možete oštetiti.

Međutim, kada led postane veoma gust na unutarnjoj strani, pristupite odmrzavanju na sljedeći način:

- izvucite utikač iz utičnice;
- uklonite svu hranu, umotajte je u nekoliko listova novina i stavite na hladno mjesto;
- držite otvorena vrata i postavite posudu ispod uređaja kako bi se skupila odmrznuta voda;
- kada je odmrzavanje završeno, temeljito osušite unutarnjost uređaja
- vratite utikač u utičnicu kako biste ponovo pustili uređaj u rad.

1) Ukoliko je kondenzator na stražnjoj strani uređaja.

# Svakodnevna uporaba

## Rješavanje problema



**Oprez!** Prije rješavanja problema, isključite naponski kabel. Samo kvalificirani električar može otkloniti kvar koji nije naveden u ovim uputama.

**Važna napomena!** Prilikom normalnog rada prisutni su određeni zvukovi (kompresor, cirkuliranje rashladnog plina)

Problem	Mogući uzrok	Rješenje
Uređaj ne radi.	Glavni utikač nije uključen ili je oslabio.	Priključite glavni utikač.
	Osigurač je pregorio ili je u kvaru.	Provjerite osigurač, zamijenite ukoliko je potrebno.
	Utičnica je neispravna.	Neispravne utičnice mora zamijeniti električar.
Uređaj previše hladi ili zamrzava.	Temperatura je postavljena da previše hladi ili je uređaj u MAX režimu.	Podesite regulator na toplije postavke.
Hrana nije dovoljna smrznuta.	Temperatura nije dobro postavljena.	Pogledajte odjeljak Postavke temperature.
	Vrata su otvorena duže vrijeme.	Držite otvorena vrata samo koliko je neophodno.
	Velika količina tople hrane stavljena je u uređaj tijekom prethodna 24 sata.	Postavite regulator na hladnije postavke.
	Uređaj je u blizini izvora topline.	Pogledajte odjeljak Mjesto postavljanja.
Mraz na brtvi na vratima.	Brtva nije čvrsto postavljena.	Pažljivo zagrijte dio na vratima koji je zaleđen pomoću sušila (na hladnoj postavci). Istodobno namjestite brtvu rukom da bude pravilno postavljena.
Netipična buka.	Uređaj nije niveliran.	Podesite nogare.
	Uređaj dodiruje stijenku ili druge predmete.	Pomjerite lagano uređaj.
	Sustavni dio, na pr. cijev, sa stražnje strane uređaja dodiruje stijenku ili drugi dio uređaja.	Ukoliko je potrebno, pažljivo sklonite taj dio.

Ukoliko se kvar ponovo javi, kontaktirajte Servisni centar.

Ovi podaci su vam potrebni da vam pomognu lako i ispravno riješiti problem. zapišite potrebne podatke ovdje, pogledajte natpisnu tablicu.



SVN

# Navodila za uporabo

Zamrzovalnik VF 2510  
VF 2510SF

Vsebina	
1. Varnostne informacije	stran 1-10
2. Opis aparata	stran 11
3. Sprememba smeri odpiranja vrat	stran 12-14
4. Namestitev	stran 15-16
5. Vsakodnevna uporaba	stran 17-20

Da bi zagotovili varno in pravilno uporabo aparata, pred uporabo pozorno preučita ta navodila, vključno z nasveti in priporočili. Da ne bi prišlo do nesreče oz. napačne uporabe, je pomembno, da so vse osebe, ki uporabljajo aparat seznanjene s temi navodili. Shranite ta navodila, tako da bodo na voljo, v kolikor jih nov uporabnik potrebuje.

Zaradi osebne varnosti in preprečevanja nastanka materialne škode, hranite ta navodila, saj proizvajalec ne odgovarja za škodo nastalo zaradi neupoštevanja navodil.

### **Varnost otrok in ogroženih kategorij oseb**

- Ta aparat lahko uporabljajo otroci starejši od 8 let, oz. osebe z zmanjšanimi telesnimi, zaznavnimi ali umskimi sposobnostmi oz. pomanjkanjem znanja in izkušenj, vendar le pod nadzorom in ob navodilih osebe, ki je odgovorna za njihovo varnost.
- Otroci do osmega leta starosti ne smejo uporabljati aparata.
- Otroke je potrebno nadzorovati, da se ne bi igrali z aparatom.
- Samo otroci starejši od osem let in to izključno pod nadzorom osebe odgovorne za njihovo varnost, lahko opravljajo čiščenje oz. uporabniško vzdrževanje aparata.

• Ves embalažni material držite dlje od otrok. Obstaja

• nevarnost zadušitve. Pri odlaganju odsluženega aparata, izvlecite napajalni kabel iz vtičnice, ga odrežite (na čim krajšo dolžino) ter odstranite vrata aparata, in sicer zato, da se otroci ne bi ujeli v aparat oz. da ne bi prišlo do električnega udara.

• Če ste ta aparat kupili, da bi zamenjali starejši aparat z magnetnim ali mehanskim zapahom, ta zapah oz. ključavnico onesposobite pred odlaganjem aparata. Tako boste preprečili, da aparat postane smrtna past za otroke.

### **Splošni varnostni napotki**

**⚠ POZOR:** Prezračevalne reže na ohišju naprave oz. na vgrajeni strukturi, ne smejo biti ovirane.

**⚠ POZOR:** Ne uporabljajte mehanskih pripomočkov za pospeševanje odtajanja, razen tistih, ki jih priporoča proizvajalec.

**⚠ POZOR:** Pazite, da ne poškodujete tokokrog hladilnega sredstva.

**⚠ POZOR:** Ne uporabljajte električnih aparatov znotraj oddelkov za hranjenje živil, razen če gre za aparate katerih uporabo priporoča proizvajalec.

**⚠ POZOR** Žarnice se v primeru da je bila prižgana



dlje časa ne dotikajte, saj se lahko močno segreje.

**⚠ POZOR:** Pri nameščanju aparata, preverite da napajalni kabel ni zagozden ali poškodovan.

**⚠ POZOR:** Za aparatom ne nameščajte električnih podaljškov z več vtičnicami ali prenosnih električnih napajanj.

- Ne hranite vnetljivih snovi, npr. pločevink s vnetljivim pogonskim plinom v aparatu.

- Hladilno sredstvo izobutan (R-600a) v tokokrogu aparata, je okolju prijazen naravni plin, vendar je kljub temu vnetljiv.

- Pri prevozu in namestitvi aparata, se prepričajte, da nobena od komponent hladilnega tokokroga ni poškodovana.

- Držite aparat dlje od odprtega ognja in drugih virov vžiga.

- Dobro prezračite prostor v katerem je aparat nameščen.


- Prilagajanje specifikacij oz. kakršnakoli modifikacija aparata je nevarna. Kakršnakoli poškodba napajalnega kabla, lahko povzroči kratek stik, požar in/ali električni udar.


- Ta aparat je namenjen za uporabo v

gospodinjstvu in podobnih vlogah, npr.

- v kuhinjah za osebje, pisarnah in drugih poslovnih okoljih, kmetijah in hotelih, modelih in drugih

nastanitvenih objektih, objektih, ki nudijo nočitev z zajtrkom, podjetjih, ki se ukvarjajo z oskrbo s hrano in pijačo in podobnih vlogah, ki niso vezane za maloprodajo.

 **POZOR:** Kakršnokoli popravilo oz. zamenjavo električnih delov (vtikač, napajalni kabel, kompresor itn.) mora opraviti pooblaščen serviser ali ustrezno usposobljeno osebje.

 **POZOR:** Žarnica, ki jo dobite skupaj z aparatom je “za posebne namene” tj. Namenjena samo uporabi s to vrsto aparata. Ta žarnica ni primerna za razsvetljavo v gospodinjstvu. <sup>1)</sup>

- Napajalnega kabla ne smete podaljševati.
- Preverite, da električni vtič za aparatom. Poškodovan vtič lahko povzroči električni udar oz. požar.
- Prepričajte se, da je vtič tudi po namestitvi zlahka dostopen.
- Ne vlecite napajalnega kabla.
- Vtiča ne priključujte na če el. vtičnica ni pravilno

nameščena. V nasprotnem lahko pride do el. udara oz. požara.

- Aparata brez žarnice ne uporabljajte.
- Aparat je težak. Pri premikanju je potrebno biti izjemno pozoren.
- Živil iz zamrzovalnega oddelka se ne dotikajte z mokrimi rokami, saj lahko pride do omrzlin oz. ran na rokah.
- Aparata ne izpostavljajte direktni sončni svetlobi za daljša časovna obdobja.

### **Vsakodnevna uporaba**

- Ne odlagajte vročih predmetov na plastične površine aparata.
- Živil ne shranjujte tik ob zadnjo steno v notranjosti aparata.

### **Varnostna navodila**

- Zamrznjene hrane po odmrzovanju ne smete ponovno zamrzovati.<sup>1)</sup>
  - Vnaprej zamrznjena živila hranite v skladu z navodili proizvajalca.<sup>1)</sup>
  - Priporočila proizvajalca glede hranjenja aparatov je potrebno strogo upoštevati. Preučite pripadajoča navodila.
  - Gaziranih pijač ne hranite v zamrzovalnem

1) če je znotraj aparata prisotna žarnica.

oddelku, saj lahko tlak povzroči eksplozijo, katera lahko poškoduje aparat.<sup>1)</sup>

- Sladoled, ledene lučke lahko povzročijo omrzline, če se zaužijejo takoj po jemanju iz zamrzovalnika.<sup>1)</sup>
- Da ne bi prišlo do kontaminacije hrane, prosimo upoštevate naslednja navodila:
- Držanje vrat hladilnika odprtih za daljši čas lahko znatno poveča temperaturo v hladilniku.
- Redno čistite površine, ki lahko pridejo v stik z živili ter dostopne drenažne kanale.
- Posode za vodo očistite, če se ne uporabljajo dlje od 48 ur, izperite vodno napeljavo, če voda ni sipana dlje od 5 dni.
- Surovo meso in ribo hranite v primernih posodah, tako da ne pride v stik z oz. kaplja po drugih živilih.
- Zamrzovalni oddelki z dvema zvezdicama so primerni za hranjenje vnaprej zamrznjenih živil, za pripravo sladoleda in ledenih kock.
- Oddelki z eno, dvema, in tremi zvezdicami niso primerni za zamrzovanje svežih živil.
- Če aparata dlje časa ne nameravate uporabljati, ga izklopite, odtalite, očistite, posušite, in pustite

1) Če aparat ima zamrzovalni oddelek.

vrata priprta, da v aparatu ne bi nastajala plesen.

### Čiščenje in vzdrževanje

- Pred čiščenjem oz. vzdrževanjem, izključite aparat iz električnega napajanja.
- Aparata ne čistite s kovinskimi pripomočki.
- Ne uporabljajte ostrih pripomočkov za odstranjevanje ledenih oblog. Uporabite plastično strgalo.<sup>1</sup>
- Redno preverjajte ali je drenažni kanal v aparatu zamašen. Če je to potrebno, ga očistite.

V kolikor je drenažni kanal zamašen, se bon a dnu aparata nabirala voda.<sup>2)</sup>

## Namestitev

**Pomembno!** Pri priključitvi aparata na električno omrežje pozorno sledite navodila iz ustreznega poglavja navodil.

- Odstranite embalažo aparata in preverite ali aparat ni poškodovan. Če opazite poškodbe ne priključujte aparata. Takoj prijavite morebitne poškodbe prodajalcu, v takem primeru pa prav tako hranite embalažo.

1) Če aparat ima zamrzovalni oddelek.

2) Če aparat ima hladilni oddelek.

- Po namestitvi je priporočljivo počakati vsaj nekaj ur, da bi se olje steklo nazaj v kompresor.
- Okoli aparata morate zagotoviti ustrezen prostor za kroženje zraka, v nasprotnem bo prišlo do pregrevanja. Glede zagotovitve ustreznega prezračevanja upoštevajte navodila za namestitev.
- Kjer je le možno, naj zadnja stran aparata gleda na zid, da ne bi prišlo do dotikanja komponent (kompresor, kondenzator) tj. da ne bi prišlo do nevarnosti požara.
- Aparat ne sme biti postavljen v bližino radiatorjev ali štedilnikov.
- Prepričajte se, da električna vtičnica ostane dostopna tudi po namestitvi aparata.

### **Popravilo**



- Kakršenkoli poseg zaradi popravila električnih komponent, sme opraviti samo pooblaščen serviser oz. ustrezno usposobljeno osebje.
- Izdelek sme popravljati samo pooblaščen serviser, z originalnimi rezervnimi deli.

### **Varčevanje z energijo**


- V hladilnik ne vstavljajte vročih živil;
- Živila v hladilnik ne zlagajte drugo tik ob drugega, da ne bi ovirali kroženje zraka;

- Prepričajte se, da se živila ne dotikajo zadnje strani hladilnega oz. zamrzovalnega oddelka.;
- e pride do izpada električne energije, ne odpirajte vrat;
- Ne odpirajte vrat prepogosto;
- Vrat ne držite odprtih dlje časa;
- Ne izbirajte preveč hladne nastavitve temperature na termostatu;
- Za optimalno varčevanje z energijo, vse predale, police itn. postavite na označena mesta.


### **Zaščita okolja**

 Aparat ne vsebuje plinov škodljivih za ozonsko plast, bodisi v izolacijskih materialih, bodisi v hladilnem sredstvu. Aparata ne smete odlagati kot navaden gospodinjski odpad. Izolacijska pena vsebuje vnetljive pline: aparat je potrebno odlagati v skladu s predpisi, o katerih se lahko pozanimate pri krajevnih oblasteh. Pazite da ne poškodujete hladilnega tokokroga, posebej toplotnega izmenjevalca. Surovine v tem izdelku, ki so označene s simbolom  so primerne za recikliranje.

Ta oznaka pomeni, da tega izdelka v EU ne gre odlagati kot navaden gospodinjski odpadek. Da ne

 bi prišlo do onesnaževanja okolja in ogrožanja zdravja ljudi, vas prosimo da odgovorno odlagate to vrsto izdelka in pripomorete ponovni uporabi surovin. Pri odlaganju uporabite reciklažna zbirna mesta, ki so vam na voljo oz. se obrnite na prodajalca, kjer ste izdelek kupili.

### Embalažni material


Materiali označeni z ustreznimi simbolom , so primerni za recikliranje.

Embalažo odlagajte v ustrezne kontejnerje za recikliranje.

### Odlaganje odpadnega izdelka

1. Izključite napajalni kabel iz električne vtičnice.
2. Odrežite napajalni kabel in ga odvrzite v smeti.



 **POZOR!** Med uporabo, pri popravilu in pri odlaganju odpadne naprave, prosimo bodite pozorni na zgornjo oznako, ki se nahaja na zadnji strani aparata (zadnja plošča oz. kompresor) in je rumene ali oranžne barve.

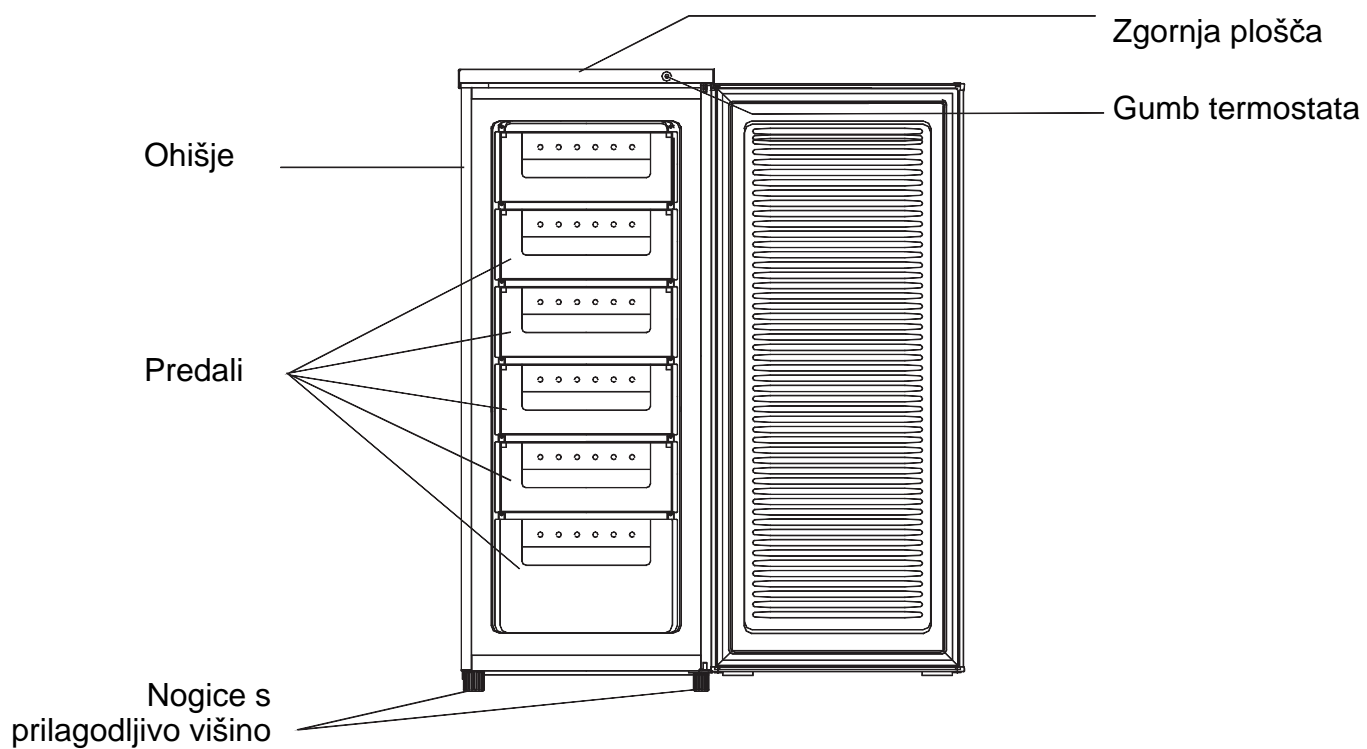
Gre za simbol požarne nevarnosti. V ceveh hladilnega tokokroga in v kompresorju se nahajajo vnetljive snovi.

Aparat vedno držite dlje od virov odprtega ognja in drugih potencialnih virov vžiga.



## Opis aparata

---



Opomba: Ta slika je samo za informacijo o delih naprave.

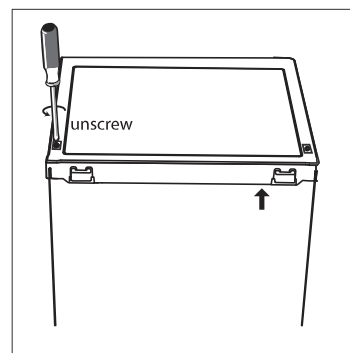
## Sprememba smeri odpiranja vrat

**Potrebno orodje:** Philipsov križni izvijač, ploski izvijač, šestkotni ključ

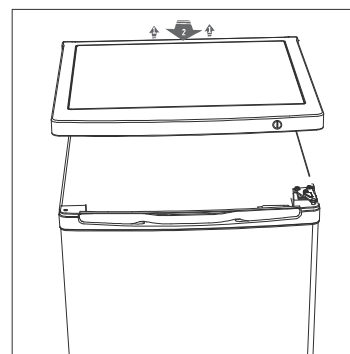
- Preverite ali je aparat izključen iz eklektičnega napajanja in prazen.
- Za snemanje vrat, je potrebno aparat nagniti nazaj. Naslonite ga na trden naslon, da med postopkom spremembe smeri odpiranja vrat ne bi zdrsnil.
- Vse odstranjene dele ločeno shranite, da bi jih pozneje uporabili pri ponovnem nameščanju vrat.
- Ne polagajte aparata na hrbtno stran, saj tako lahko poškodujete hladilni sistem.
- Najbolje je, če celoten postopek izvajata dve osebi.
- Aparat ni namenjen za vgradnjo.

1. Odvijte dva vijaka na zadnji strani zgornje plošče.

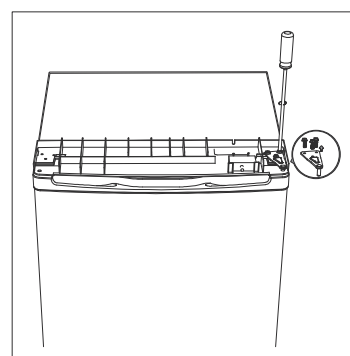
Odvijte



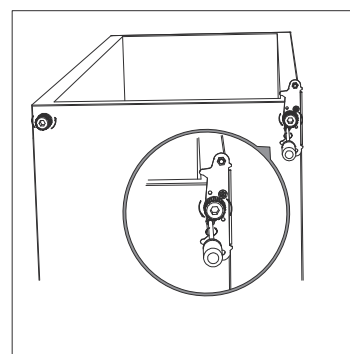
2. Odstranite zgornjo ploščo i gumb termostata, ter ju ločeno shranite.



3. Odvijte vijake zgornjega tečaja, odstranite vrata, ter jih postavite na mehko podlago, da ne bi prišlo do praskanja.

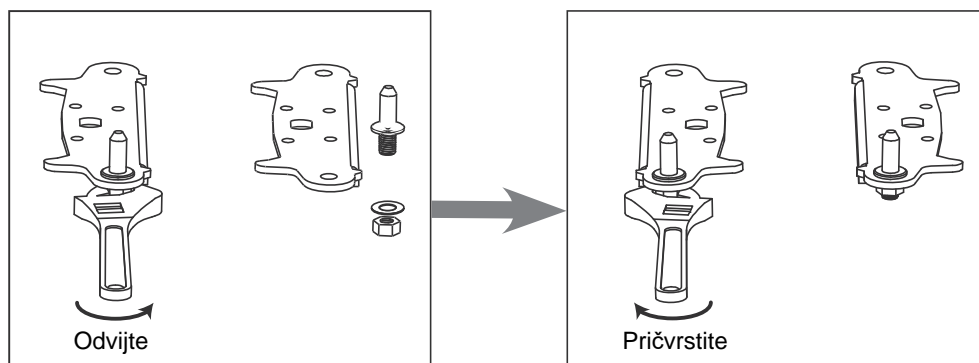


4. Odvijte vijake spodnjega tečaja. Nato odstranite po višini prilagodljivi nogici z obeh strani.

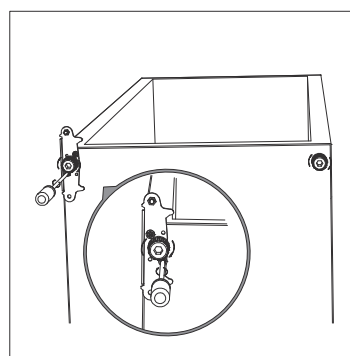


## Sprememba smeri odpiranja vrat

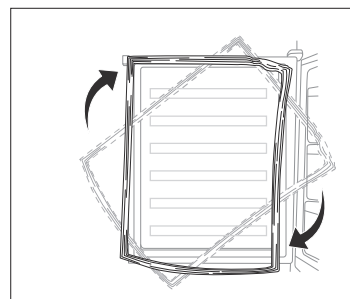
5. Odvijte in odstranite sornik spodnjega tečaja, obrnite smer tečaja in ga ponovno namestite.



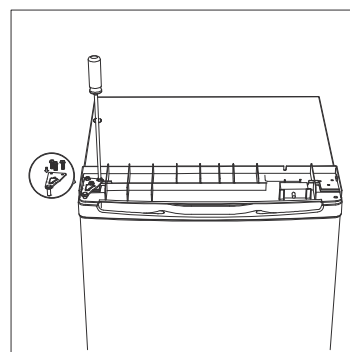
6. Ponovno namestite nosilec sornika spodnjega tečaja. Ponovno namestite obe po višini prilagodljivi nogici.



7. Odstranite tesnili hladilnega in zamrzovalnega oddelka, ju obrnite ter ponovno namestite.



8. Ponovno namestite vrata. Prepričajte se, da so vrata poravnana navpično ter vodoravno, tako da tesnila dobro nalegajo z vseh strani, preden dokončno privijete zgornji tečaj.

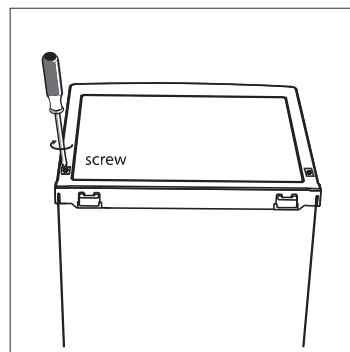


## Sprememba smeri odpiranja vrat

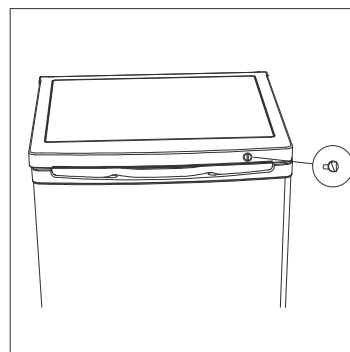
---

9. Namestite zgorji tečaj in privijte dva vijaka na zadnji strani.

Privijte

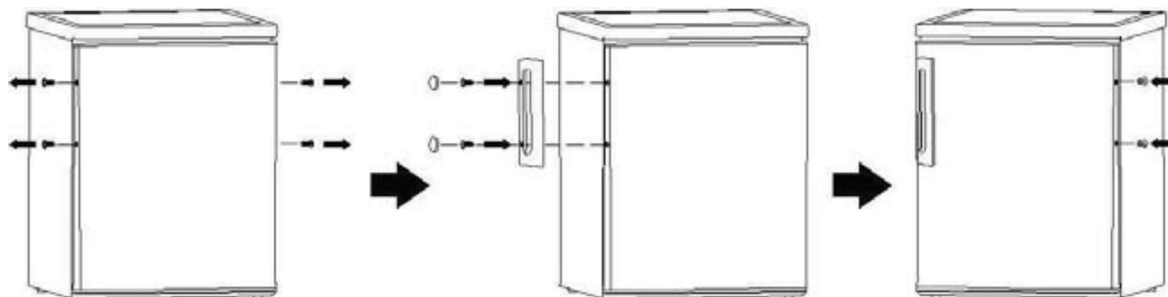


10. Namestite gumb termostata.



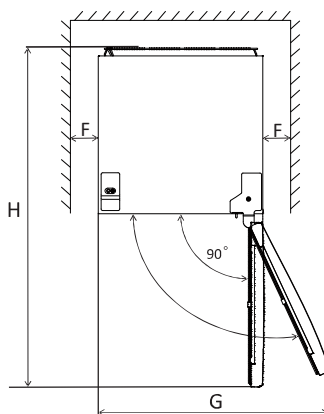
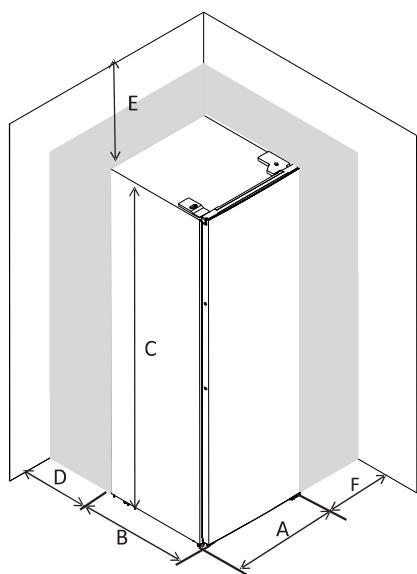
# Namestitev

## Namestitev zunanje ročaja vrat



## Prostorske zahteve

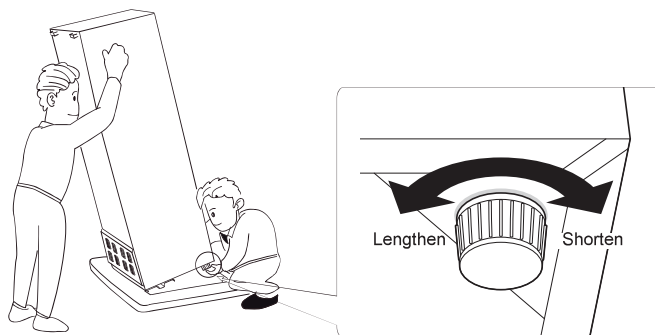
- Zagotovitev dovolj prostora za odpiranje vrat
- Zagotovite vsaj 50 mm prostora ob straneh in za aparatom.



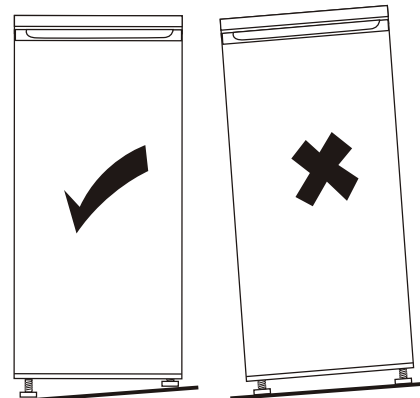
A	550
B	580
C	1420
D	min=50
E	min=50
F	min=50
G	960
H	1130
I	135°

## Uravnavanje aparata

Za uravnavanje aparata uporabite nogice s prilagodljivo višino na sprednji strani aparata. Če aparat ni vodoraven, lahko pride do neustreznega naleganja vrat na magnetna tesnila.



Daljšanje - Krajšanje



# Namestitev

---

## Položaj aparata

Postavite aparat na mesto, kjer bo temperatura okolja ustrezala podnebnemu razredu navedenemu na napisni tablici:

- Širše zmerno podnebje: 'aparat je namenjen uporabi v temperaturnem obsegu od 10 °C do 32 °C'; (SN)
- Zmerno podnebje: 'aparat je namenjen uporabi v temperaturnem obsegu od 16 °C do 32 °C'; (N)
- Subtropsko podnebje: 'aparat je namenjen uporabi v temperaturnem obsegu od 16°C do 38 °C'; (ST)
- Tropsko podnebje: 'aparat je namenjen uporabi v temperaturnem obsegu od 16 °C do 43 °C'; (T)

## Mesto namestitve

Aparat je potrebno postaviti dlje od virov toplote kot so radiatorji, bojlerji, direktna sončna svetloba itn. Prepričajte se, da zrak lahko prosto kroži za aparatom. Za najboljšo učinkovitost obratovanja, v primeru da je aparat postavljen pod omarico, je najmanjša razdalja med vrhom aparata in omarico 50 mm. Najbolje pa je, da nad aparatom ni ničesar. Natančno poravnavanje aparata je mogoče z uporabo ene ali več nogic za uravnavanje na dnu sprednje strani aparata.

Aparat ni namenjen za vgradnjo.



**Pozor!** V vsakem trenutku morate biti v stanju, da izključite aparat iz električne vtičnice. To pomeni, da vtičnica mora biti zlahka dostopna tudi po namestitvi aparata.

## Priključitev na električno napajanje

Pred priključitvijo aparata na električno napajanje, se prepričajte, da napetost in frekvenca navedene na napisni tablici aparata ustrezajo tistim na Vaši hišni električni napeljavi. Aparat mora biti ozemljen. Napajalni kabel aparat ima kontakt v ta namen. Če elektrina vtičnica ni ozemljena, pokličite ustrezno usposobljenega električarja da Vam poveže aparat na ločeno ozemljitev, v skladu z veljavnimi predpisi.

Proizvajalec zavrača kakršnokoli odgovornost v primeru neupoštevanja zgornjih varnostnih navodil.

Aparat je skladen z direktivami Evropskega Sveta (EEC).

## Vsakodnevna uporaba

### Prva uporaba

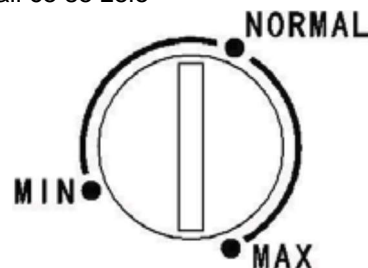
#### Čiščenje notranjosti

Pred prvo uporabo aparata, očistite notranjost in vso notranjo opremo z mlačno vodo in milom, da odstranite karakteristični vonj novega izdelka, nato pa temeljito posušite.

**Pomembno!** Ne uporabljajte čistilnih sredstev ali grobega praška, saj lahko tako poškodujete površine aparata.

### Nastavitev temperature

Vklopite aparat. Z notranjo temperaturo se upravlja prek termostata. Obstajajo 3 nastavitve, **MIN**, **NORMAL** in **MAX**. **MIN** je najtoplejša nastavitev, **MAX** pa najhladnejša. Aparat ne bo uspel doseči nastavljeno temperaturo, če se nahaja v zelo vročem prostoru, ali če se zelo pogosto odpirajo vrata.



### Vsakodnevna uporaba

Živila v aparatu razporedite v oddelke, kot je navedeno v spodnji tabeli

Oddelek aparata	Vrsta živil
Predali zamrzovalnika	Živila, ki jih nameravate hraniti daljše časovno obdobje. Spodnji predal – meso, riba Srednji predal – zamrznjena zelenjava, pomfrit Zgornji predal – sladoled, zamrznjeno sadje, zamrznjena peciva

### Zamrzovanje sveže hrane

- Zamrzovalni oddelek je primeren za zamrzovanje svežih živil in dolgoročno hranjenje zamrznjenih in globoko zamrznjenih živil.
- Vstavite sveža živila, ki jih želite zamrzniti v zamrzovalni oddelek.
- Največja količina hrane, ki jo je mogoče zamrzniti v 24 urah je navedena na napisni tablici aparata.
- Čas, ki je potreben, da živila zamrznejo znaša 24 ur. V tem obdobju ne dodajajte drugih živil v zamrzovalnik.

### Taljenje

Globoko zamrznjena ali zamrznjena živila lahko pred uporabo odtalite v hladilnem oddelku ali na sobni temperaturi, v odvisnosti od časa, ki ga imate na voljo.

Manjše kose hrane lahko kuhate neposredno po jemanju iz zamrzovalnika. V tem primeru bo kuhanje dlje trajalo.

### Kalup za ledene kocke

Aparat je lahko opremljen z enim ali več kalupi za pripravo ledenih kock.

### Koristni nasveti

Da bi učinkovito uporabljali zamrzovalnik, vam nudimo nekaj pomembnih nasvetov:

- Največja količina živil, ki jo je mogoče zamrzniti v 24 urah, je navedena na napisni tablici aparata.
- Zamrzovanje traja 24 ur, v tem času ne dodajajte dodatnih živil v zamrzovalnik.
- Zamrzujte samo sveža, kakovostna živila, ki ste jih predhodno temeljito očistili.
- Pripravite manjše zavoje živil, tako da se lahko hitro in popolnoma zamrznejo in da kasneje lahko uporabite le tisto količino živil, ki jo potrebujete.
- Živila zavijte v aluminijско ali plastično folijo, ter se prepričajte, da zavoj ne prepušča zraka.
- Ne dovolite, da se sveža živila dotikajo zamrznjenih živil, da ne bi prišlo do dviga temperature že zamrznjenih živil.
- Živila z manjšo vsebnostjo maščob zdržijo v zamrzovalniku dlje od tistih z večjo vsebnostjo maščob. Sol poslabša zdržljivost živila v zamrzovalniku.
- Voda oz. led, ki bi ga zaužili takoj po jemanju iz zamrzovalnika, lahko povzroči omrzline na koži.
- Priporočamo Vam, da na vsakem zavoju hrane vpišete datum zamrzovanja, da bi imeli pregled koliko časa so živila shranjena v zamrzovalniku.

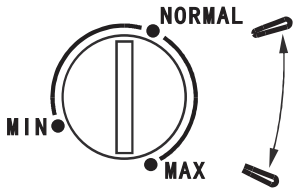
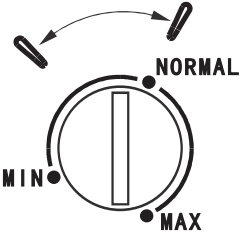
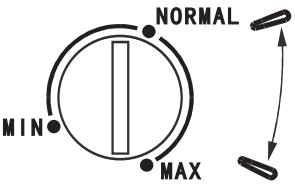
## Vsakodnevna uporaba

### Hranjenje zamrznjenih živil

Pri prvem zagonu ali po daljšem obdobju mirovanja, pred vstavljanjem živil v zamrzovalni oddelek, pustite, da aparat obratuje na najvišjih nastavitvi hlajenja vsaj dve uri.

**Pomembno!** V primeru da pride do slučajnega taljenja živil, npr. zaradi izpada električne energije za časovno obdobje daljše od tistega navedenega v razpredelnici tehničnih lastnostih pod »čas taljenja«, odmrznjena živila morate v kratkem zaužiti ali pa takoj skuhati/speči in ponovno zamrzniti po pripravi.

### Priporočila za nastavitve temperature

Priporočila za nastavitve temperature		
Temperatura okolja	Zamrzovalni oddelek	Hladilni oddelek
Poletje		/
Običajna		/
Zima		/

- Zgoraj navedene informacije so priporočene nastavitve temperature.

### Vpliv na hranjenje živil

- Pri priporočenih nastavitvah, je priporočeno najdaljše obdobje hranjenja živil v zamrzovalniku en mesec.
- Priporočeno najdaljše obdobje hranjenja živil se lahko pri drugačnih nastavitvah skrajša.



## Vsakodnevna uporaba

---

### Nasveti za hranjenje zamrznjenih živil

Za najbolj učinkovito obratovanje aparata, svetujemo naslednje:

- Prepričajte se, da je vnaprej zamrznjena hrana bila pravilno hranjena pri prodajalcu,
- Poskrbite da vnaprej zamrznjeno hrano po nakupu v trgovini čimprej prenesete v zamrzovalnik.
- Ne odpirajte vrat aparata prepogosto oz. ne puščajte jih odprtih več časa, kot je nujno.
- Po odmrznitvi se živila hitro kvarijo in ni jih mogoče ponovno zamrzniti.
- Upoštevajte rok uporabe, ki ga navaja proizvajalec živila.

### Čiščenje

Zaradi higiene je potrebno notranjost aparata ter notranjo opremo redno čistiti.



**Pozor!** Aparat je pred čiščenjem potrebno izključiti iz električne vtičnice. Obstaja nevarnost električnega udara! Pred čiščenjem aparat izklopite ter izključite iz električnega napajanja oz. izklopite varovalko. Nikoli ne čistite aparata s parnim čistilnikom. Vlaga bi lahko v takem primeru prodrla v električne komponente aparata, obstaja nevarnost električnega udara! Vroča para lahko povzroči poškodbe plastičnih delov. Aparat se mora pred ponovno uporabo posušiti.

**Pomembno!** Eterična olja in organska topila lahko poškodujejo plastične dele, npr. limonada, oranžada, maslena kislina, čistilna sredstva, ki vsebujejo očetno kislino.

- Pazite, da te snovi ne pridejo v stik z deli aparata..
- Ne uporabljajte jedkih čistil.
- Odstranite vsa živila iz zamrznovalnega dela in shranite na hladno ter dobro pokrijte..
- Izklopite aparat in potegnite vtikač iz vtičnice oz. Odvijte varovalko.
- Očistite vse površine in opremo s krpo in mlačno vodo. Po čiščenju izperite vse površine s čisto vodo in jih obrišite do suhega.
- Nabiranje prahu na kondenzatorju poviša porabo električne energije. Zaradi tega priporočamo, da enkrat letno z mehko krtačo ali sesalnikom natančno očistite kondenzator na hrbtni strani naprave.<sup>1)</sup>
- Kadar se vse posuši, ponovno prižgite aparat.

### Odtaljevanje zamrzovalnika

V zamrzovalniku se bodo sčasoma začele nabirati ledene obloge. Njih je potrebno odstraniti. Nikoli ne uporabljajte ostrih kovinskih pripomočkov pri čiščenju ledu z uparjalnika, saj lahko povzročijo škodo.

Če je ledena obloga zelo debela, ravnajte na naslednji način:

- izključite napajalni kabel aparata iz električne vtičnice;
- odstranite vsa shranjena živila, jih zavijte v nekaj slojev časopisa in shranite v hladen prostor;
- odprite vrata zamrzovalnika, in postavite posodo pod aparatom za zbiranje vode;
- ko se odtaljevanje konča, temeljito posušite notranjost aparata.
- ponovno priključite aparat na električno napajanje in ga prižgite.

1) Če je kondenzator na zadnji strani aparata.

## Vsakodnevna uporaba

### Odpravljanje težav



**Pozor!** Pred odpravljanjem težav, izključite aparat iz električne vtičnice. Popravila oz. odpravljanje težav, ki ni opisano v tem priročniku, sme opravljati samo ustrezno usposobljen električar.

**Pomembno!** Pri normalnem obratovanju aparat proizvaja določen hrup (kompresor, kroženje hladilnega sredstva)

Težava	Možen vzrok	Rešitev
Aparat ne obratuje.	Vtičač ni v vtičnici ali ni dobro vstavljen.	Preverite ali je vtičač pravilno vstavljen.
	Varovalka je pregorela ali je pokvarjena.	Preverite in po potrebi menjajte varovalko.
	Vtičnica je pokvarjena.	Okvare na električni napeljavi mora popraviti električar.
Aparat preveč močno hladi	Temperatura je nastavljena na prenizko nastavitvev ali pa aparat obratuje v MAX načinu obratovanja.	Začasno nastavite višjo temperaturo.
Živila niso dovolj ohlajena.	Temperatura v aparatu ni ustrezno nastavljena.	Upoštevajte navodila v poglavju začetna nastavitvev temperature.
	Vrata so bila dlje časa odprta.	Vrata naj bodo odprta le kolikor je nujno potrebno.
	V aparat ste v zadnjih 24 urah vstavili večjo količino toplih živil.	Začasno nastavite temperaturo na hladnejšo nastavitvev.
	Aparat stoji ob viru toplote.	Upoštevajte navodila v poglavju Namestitvev.
Značajne obloge ledu na tesnilih vrat	Tesnilo vrat ne tesni dobro.	Previdno segrejte dele tesnila, ki prepuščajo zrak s fenom za lase (na hladni nastavitvi). Istočasno oblikujte segreto tesnilo tako, da se ustrezno prilega.
Neobičajni zvoki.	Aparat ne stoji vodoravno.	Prilagodite višino nogic.
	Aparat se dotika zidu ali drugih predmetov.	Nekoliko ga odmaknite.
	Del aparata, npr. cev, na hrbtne strani, se dotika drugega dela aparata ali zidu.	Po potrebi, previdno upognite del, da se ne bo več dotikal.

Če se težave nadaljujejo, prosimo stopite v stik s pooblaščenim servisom.

Ti podatki so potrebni, da hitro in pravilno odpravite težave. Tukaj zapišite potrebne podatke z napisne tablice.



ESP

## **Manual de uso**

**Congelador VF 2510F  
VF 2510SF**

# Contenido

1. Información de seguridad	página 1-10
2. Vista general	página 11
3. Invertir la puerta	página 12-14
4. Instalación	página 15 -16
5. Uso diario	página 17-20

En interés de su seguridad y para garantizar el uso correcto, antes de instalar y utilizar el aparato por primera vez, lea atentamente este manual de usuario, incluidos sus consejos y advertencias. Para evitar errores y accidentes innecesarios, es importante asegurarse de que todas las personas que utilicen el aparato estén completamente familiarizadas con su funcionamiento y características de seguridad. Guarde estas instrucciones y asegúrese de que permanezcan con el electrodoméstico si se traslada o vende, de modo que todos los que lo utilicen durante su vida estén debidamente informados sobre el uso y la seguridad del electrodoméstico.

Para la seguridad de la vida y la propiedad, siga las precauciones de estas instrucciones del usuario, ya que el fabricante no es responsable de los daños causados por omisiones.

### **Niños y personas vulnerables**

- Este aparato puede ser utilizado por niños a partir de 8 años y personas con capacidades físicas, sensoriales o mentales reducidas o con falta de experiencia y conocimiento, si han recibido supervisión o instrucción sobre el uso del aparato de forma segura y comprenden los peligros involucrados.

- Los niños de 3 a 8 años pueden cargar y descargar este aparato.

- Los niños deben ser supervisados para asegurarse de que no jueguen con el aparato.

- La limpieza y el mantenimiento por parte del usuario no deben ser realizados por niños a

## **⚠ Información de seguridad**



menos que sean mayores de 8 años y estén supervisados.

- Mantenga todos los envases fuera del alcance de los niños ya que existe riesgo de asfixia.
- Si va a desechar el aparato, desenchufe la clavija de la toma, corte el cable de conexión (lo más cerca posible del aparato) y retire la puerta para evitar que los niños que juegan sufran descargas eléctricas o se encierren en ella.
- Si este electrodoméstico con sellos de puerta magnéticos va a reemplazar un electrodoméstico antiguo que tiene un cierre de resorte (pestillo) en la puerta o tapa, asegúrese de inutilizar la falta de resorte antes de desechar el electrodoméstico viejo. Esto evitará que se convierta en una trampa mortal para un niño.

### **Seguridad general**

**⚠ ¡ADVERTENCIA!** Mantenga las aberturas de ventilación, en el recinto del aparato o en la estructura incorporada, libres de obstrucciones.

**⚠ ¡ADVERTENCIA!** No use dispositivos mecánicos u otros medios para acelerar el proceso de descongelación, distintos de los recomendados por el fabricante.

**⚠ ¡ADVERTENCIA!** No dañe el circuito refrigerante.

**⚠ ¡ADVERTENCIA!** No utilice otros aparatos eléctricos (como máquinas de hacer helados)

dentro de aparatos de refrigeración, a menos que estén aprobados para este propósito por el fabricante.

⚠ **¡ADVERTENCIA!** No toque la bombilla si ha estado encendida durante un largo período de tiempo porque podría estar muy caliente.<sup>1)</sup>

⚠ **¡ADVERTENCIA!** Al colocar el aparato, asegúrese de que el cable de alimentación no esté atrapado o dañado.

⚠ **¡ADVERTENCIA!** No coloque múltiples tomas de corriente portátiles o proveedores de energía con puertos en la parte posterior del aparato.

- No almacene sustancias explosivas como latas de aerosol con propulsor inflamable en este aparato.

- El isobutano refrigerante (R-600a) está contenido dentro del circuito refrigerante del aparato, un gas natural con un alto nivel de compatibilidad medioambiental, que sin embargo es inflamable.

- Durante el transporte e instalación del aparato, asegúrese de que ninguno de los componentes del circuito refrigerante resulte dañado.

- Evitar llamas abiertas y fuentes de ignición


- Ventilar a fondo la habitación en la que se encuentra el aparato


- Esto es peligroso alterar las especificaciones

1) Si hay una luz en el compartimento.

o modificar este producto de cualquier forma. Cualquier daño al cable puede causar un cortocircuito, fuego y / o descarga eléctrica.

- Este aparato está diseñado para ser utilizado en aplicaciones domésticas y similares, como:
  - áreas de cocina para el personal en tiendas, oficinas y otros entornos de trabajo;
  - casas agrícolas y por clientes en hoteles, moteles y otros entornos de tipo residencial;
  - entornos de tipo alojamiento y desayuno;
  - catering y aplicaciones similares no jubilatorias

 **¡ADVERTENCIA!** Cualquier componente eléctrico (enchufe, cable de alimentación, compresor, etc.) debe ser reemplazado por un agente de servicio certificado o personal de servicio calificado.

 **¡ADVERTENCIA!** La bombilla suministrada con este aparato es una "bombilla de lámpara de uso especial" que se puede utilizar únicamente con el aparato suministrado. Esta "lámpara de uso especial" no se puede utilizar para iluminación doméstica.<sup>1)</sup>

- El cable de alimentación no debe alargarse
- Asegúrese de que el enchufe no esté aplastado o dañado por la parte posterior del aparato. El enchufe de alimentación aplastado o dañado puede recalentarse y provocar un incendio.
- Asegúrese de que puede llegar al enchufe de la red del aparato.

1) Si hay una luz en el compartimento.



- No tire del cable de red.
- Si la toma de corriente está suelta, no inserte el enchufe. Existe riesgo de descarga eléctrica o incendio.
- No debe operar el aparato sin la lámpara.
- Este aparato es pesado. Se debe tener cuidado al moverlo.
- No retire ni toque artículos del compartimento del congelador si sus manos están húmedas / mojadas, ya que esto podría causar abrasiones en la piel o quemaduras por congelación / congelación.
- Evite la exposición prolongada del aparato a la luz solar directa.

### **Uso diario**

- No caliente las piezas de plástico del aparato.
- No coloque productos alimenticios directamente contra la pared trasera.

### **Informaciones de seguridad**

- Los alimentos congelados no deben volver a congelarse una vez descongelados.<sup>1)</sup>
- Almacene los alimentos congelados preenvasados de acuerdo con las instrucciones del fabricante de alimentos congelados.<sup>1)</sup>
- Se deben seguir estrictamente las recomendaciones de almacenamiento de los fabricantes de electrodomésticos. Consulte las instrucciones pertinentes.
- No coloque bebidas carbonatadas o gaseosas en el compartimento del congelador, ya que crea presión en el recipiente, lo que puede

1) Si hay un compartimento congelador.

## **⚠ Información de seguridad**



- hacer que explote y dañar el aparato. <sup>1)</sup>
- Los polos de hielo pueden provocar quemaduras por congelación si se consumen directamente del aparato. <sup>1)</sup>
  - Para evitar la contaminación de los alimentos, respete las siguientes instrucciones
    - Abrir la puerta durante períodos prolongados puede provocar un aumento significativo de la temperatura en los compartimentos del aparato.
    - Limpiar con regularidad las superficies que puedan entrar en contacto con alimentos y sistemas de drenaje accesibles.
    - Limpiar los tanques de agua si no se han utilizado durante 48 horas; Enjuague el sistema de agua conectado a un suministro de agua si no se ha extraído agua durante 5 días.
    - Guarde la carne y el pescado crudos en recipientes, adecuados en el frigorífico, para que no entren en contacto ni goteen sobre otros alimentos
    - Los compartimentos para congelados de dos estrellas (si se presentan en el aparato) son aptos para almacenar alimentos pre-congelados, almacenar o hacer helados y hacer cubitos de hielo.

1) Si hay un compartimento congelador.

- Los compartimentos de una, dos y tres estrellas (si se presentan en el aparato) no son aptos para la congelación de alimentos frescos.
- Si el aparato se deja vacío durante períodos prolongados, apáguelo, descongele, limpie, seque y deje la puerta abierta para evitar que se forme montaje dentro del aparato.

### **Cuidado y Limpieza**

- Antes del mantenimiento, apague el aparato y desconecte el enchufe de la red; enchufe.
- No limpie el aparato con objetos metálicos.
- No utilice objetos afilados para quitar la escarcha del aparato. Utilice un raspador de plástico.<sup>1)</sup>
- Examine regularmente el desagüe del refrigerador para ver si hay agua descongelada. Si es necesario, limpie el desagüe. Si el desagüe está bloqueado, el agua se acumulará en la parte inferior del aparato.<sup>2)</sup>

### **Instalación**

**¡Importante!** Para la conexión eléctrica con cuidado siga las instrucciones dadas en párrafos específicos.

- Desembale el aparato y compruebe si presenta daños. No conecte el aparato si está dañado. Informe de inmediato los posibles daños al lugar donde lo compró. En este caso, conserve el embalaje.

1) Si hay un compartimento congelador.

2) Si hay un compartimento para guardad alimentos frescos.

- Es aconsejable esperar al menos cuatro horas antes de conectar el aparato para permitir que el aceite regrese al compresor.
- Debe haber una circulación de aire adecuada alrededor del aparato, de lo contrario se producirá un sobrecalentamiento. Para lograr una ventilación suficiente, siga las instrucciones correspondientes a la instalación.
- Siempre que sea posible, los espaciadores del producto deben estar contra una pared para evitar tocar o atrapar (compresor, condensador) para evitar posibles quemaduras partes calientes.
- El aparato no debe colocarse cerca de radiadores o cocinas.
- Asegúrese de que el enchufe sea accesible después de la instalación del aparato.

### **Servicio**

- Cualquier trabajo eléctrico necesario para realizar el mantenimiento del aparato debe ser realizado por un electricista calificado o una persona competente.
- Este producto debe ser reparado por un centro de servicio autorizado, y solo deben usarse repuestos originales.



### **El ahorro de energía**

- No ponga comida caliente; en el aparato;
- No empaque los alimentos muy juntos, ya que

esto evita que el aire circule;

- Asegúrese de que los alimentos no toquen la parte posterior de los compartimentos;
- Si se apaga la electricidad, no abra la (s) puerta (s);
- No abra la (s) puerta (s) con frecuencia
- No deje las puertas abiertas por mucho tiempo;
- No ajuste el termostato a temperaturas demasiado bajas;
- Todos los accesorios, como cajones, baldas de baldas, deben guardarse allí para un menor consumo energético.

### Protección Ambiental

 Este aparato no contiene gases que puedan dañar la capa de ozono, ni en su circuito refrigerante ni en los materiales aislantes. El aparato no debe desecharse junto con la basura y la basura urbanas. La espuma de aislamiento contiene gases inflamables: el aparato debe desecharse de acuerdo con las regulaciones del aparato que debe obtener de las autoridades locales. Evite dañar la unidad de refrigeración, especialmente el intercambiador de calor. Los materiales utilizados en este aparato están marcados con el símbolo  son reciclables.



El símbolo en el producto o en su empaque indica que este producto no puede ser tratado como basura doméstica. En su lugar, debe llevarse al punto de recolección apropiado para el reciclaje de equipos eléctricos y electrónicos. Si

se asegura de que este producto se deseche correctamente, ayudará a prevenir posibles consecuencias negativas para el medio ambiente y la salud humana que de otro modo podría ser causado por un manejo inadecuado de residuos de este producto. Para obtener información más detallada sobre el reciclaje de este producto, póngase en contacto con su ayuntamiento, su basura doméstica servicio de eliminación o la tienda donde compró el producto.

### **Materiales de embalaje**

Los materiales con el símbolo  son reciclables.

Deseche el embalaje en contenedores de recogida adecuados para reciclarlo.

### **Eliminación del aparato**

1. Desconecte el enchufe de red del toma de corriente.
2. Corte el cable de red y deséchelo



### **¡ADVERTENCIA!**

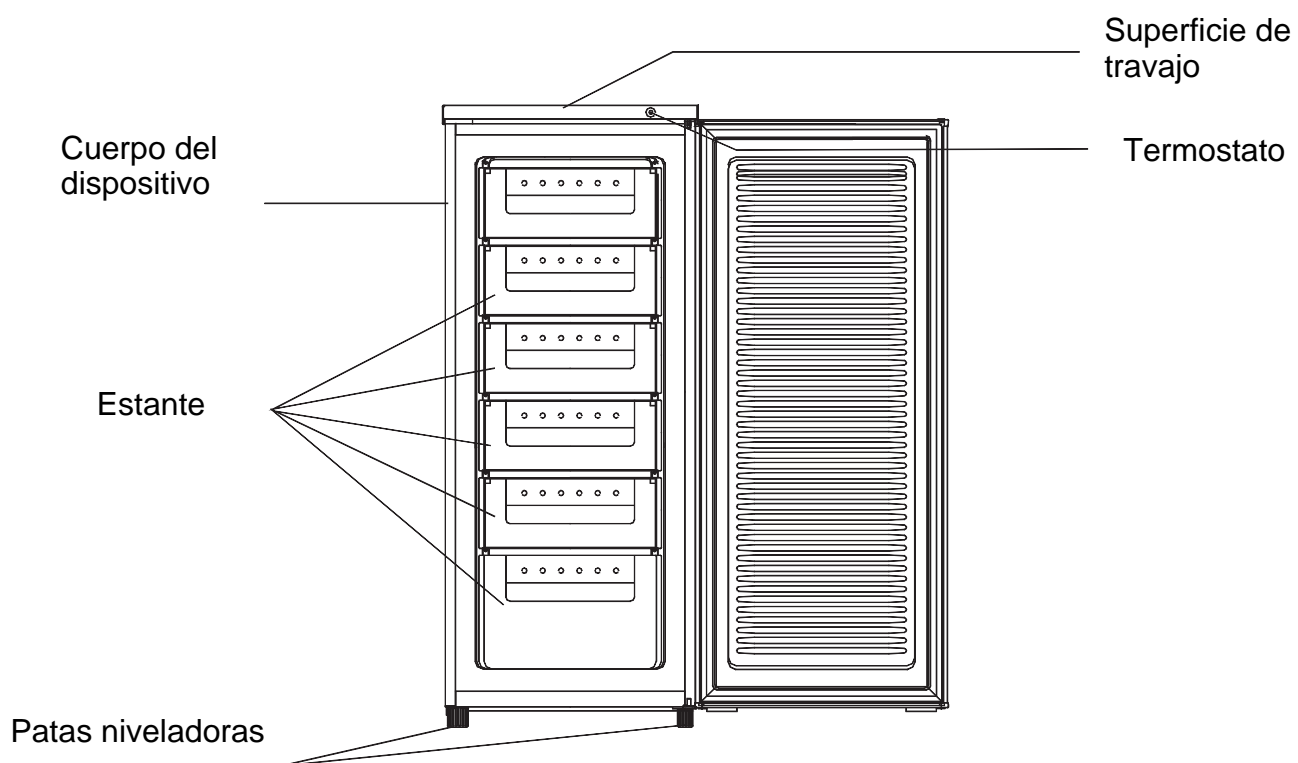
Durante el uso, mantenimiento y eliminación del aparato, preste atención al símbolo similar al del lado izquierdo, que se encuentra en la parte trasera del aparato (panel trasero o compresor) y de color amarillo o naranja.

Es el símbolo de advertencia de riesgo de incendio. Hay materiales inflamables en las tuberías de refrigerante y el compresor.

Manténgase alejado de la fuente de fuego durante el uso, el servicio y la eliminación.

# Vista general

---



**Nota:** Esta ilustración es solo para la referencia.

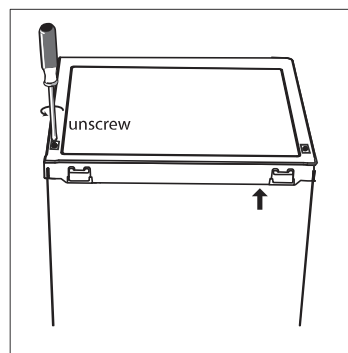
# Invertir la puerta

Herramientas necesarias: destornillador Phillips, destornillador plano, hexagonal Allen.

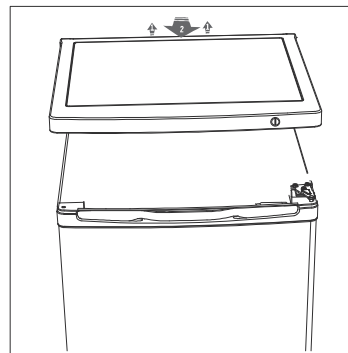
- Asegúrese de que la unidad esté desenchufada y vacía
- Para quitar la puerta, es necesario inclinar la unidad hacia atrás. Debe apoyar la unidad sobre algo sólido para que no se deslice durante el proceso de inversión de la puerta.
- Todas las piezas retiradas deben guardarse para realizar la reinstalación de la puerta.
- No coloque la unidad en posición horizontal, ya que podría dañar el sistema de refrigeración.
- Es mejor que 2 personas manipulen la unidad durante el montaje.
- Este aparelho de refrigeração não se destina a ser usado como aparelho embutido.

1. Quite dos tornillos en la parte trasera de la cubierta superior.

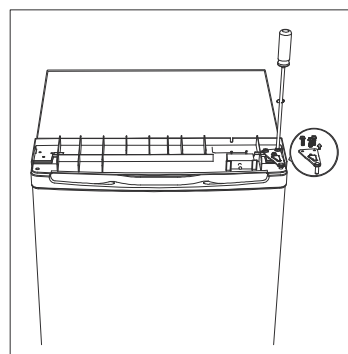
Destornillar



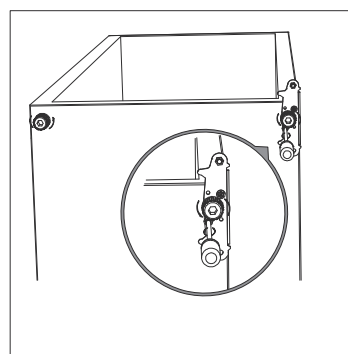
2. Retire la cubierta superior y la perilla del termostato, luego déjelas a un lado.



3. Desatornille la bisagra superior y luego retire la puerta y colóquela sobre una almohadilla suave para evitar rayones.



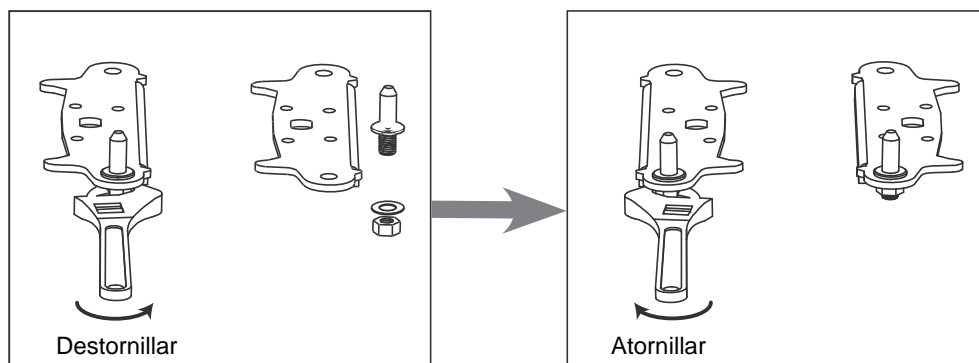
4. Desatornille la bisagra inferior, luego retire las patas ajustables de ambos lados.



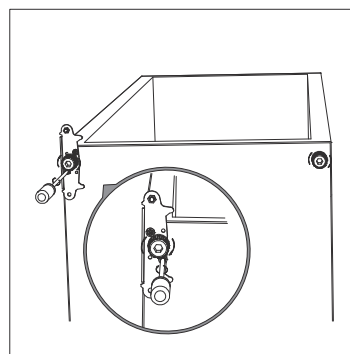


# Invertir la puerta

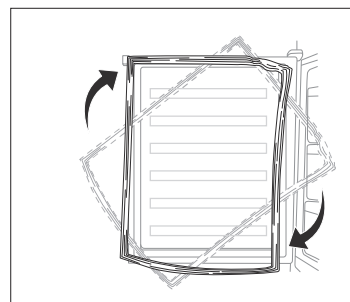
5. Desatornille y retire el pasador de la bisagra inferior, dé la vuelta al soporte y vuelva a colocarlo.



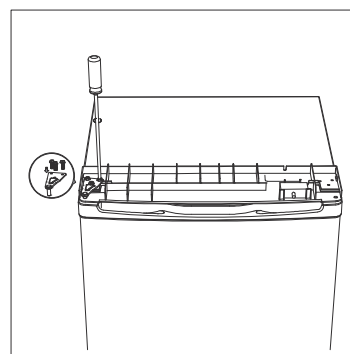
6. Desatornille la bisagra inferior. Luego retire los pies ajustables de ambos lados.



7. Separe las juntas de la puerta del refrigerador y del congelador y luego agréguelas después de girarlas.



8. Vuelva a colocar la puerta superior. Asegúrese de que la puerta esté alineada horizontal y verticalmente para que el sello esté cerrado en todos los lados antes de apretar finalmente la bisagra superior. La inerte la bisagra y atorníllela a la parte superior de la unidad.

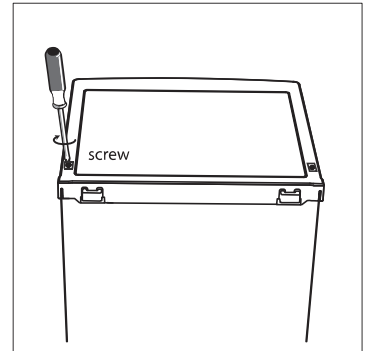


# Invertir la puerta

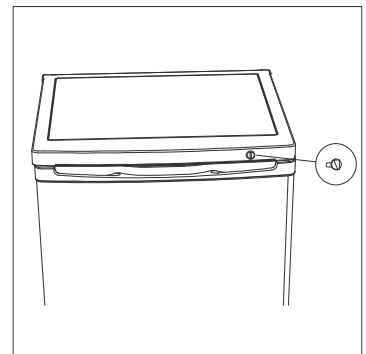
---

9. Coloque la cubierta superior y luego atornille.

Atornillar

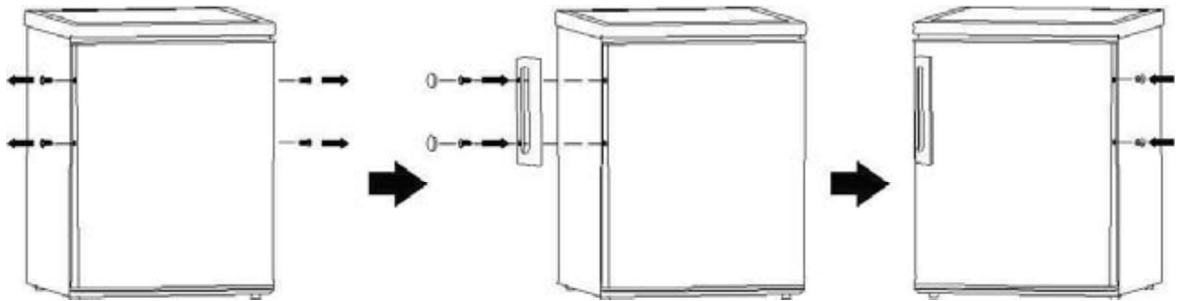


10. Fije la perilla del termostato.



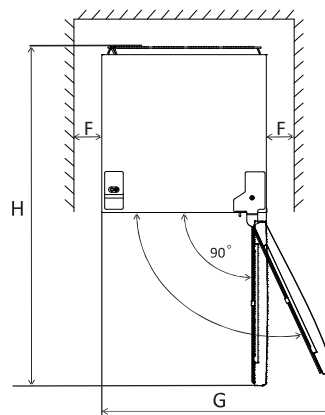
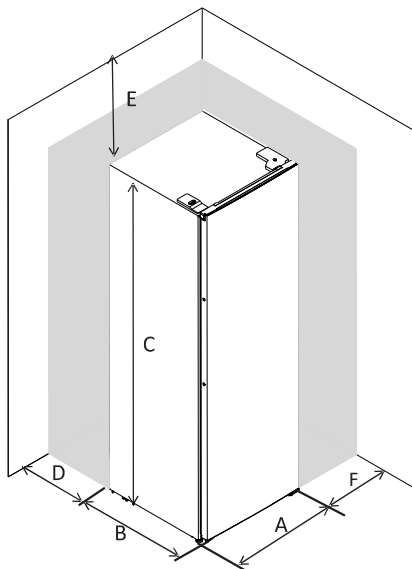
# Instalación

## Configuración de la manija para puertas



## Requerimiento de espacio

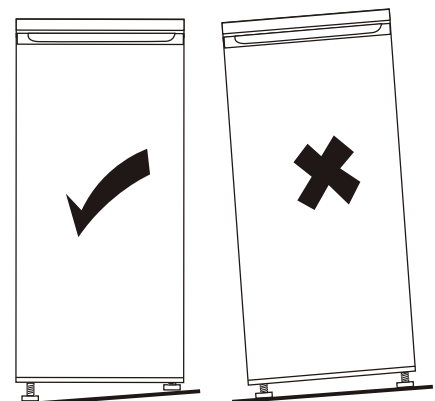
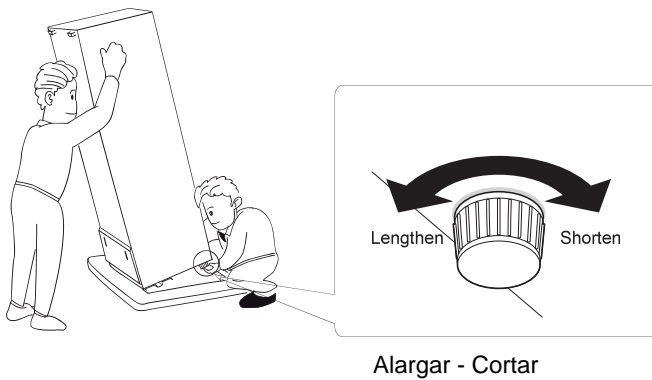
- Mantenga suficiente espacio para la apertura de la puerta.
- Deje al menos un espacio de 50mm en ambos lados.



A	550
B	580
C	1420
D	min=50
E	min=50
F	min=50
G	960
H	1130
I	135°

## Nivelación de la unidad

Para hacer esto, ajuste las dos nivelaciones de la unidad.  
Si la unidad no está nivelada, las puertas y las alineaciones del sello magnético no se cubrirán adecuadamente



# Instalación

---

## Instalación

Instale este aparato en un lugar donde la temperatura ambiente corresponda a la clase climática indicada en la placa de características del aparato:

Para aparatos frigoríficos con clase climática:

- Temperatura extendida: "este aparato de refrigeración está diseñado para ser utilizado a temperaturas ambiente que oscilen entre 10°C y 32°C (SN);
- Temperatura: "este aparato de refrigeración está destinado a ser utilizado a temperaturas ambiente que oscilen entre 16°C y 32°C(N);
- Subtropical: "este aparato de refrigeración está destinado a ser utilizado a temperaturas ambiente que oscilen entre 16°C y 38°C(ST);
- Tropical: "este aparato de refrigeración está diseñado para ser utilizado a temperaturas ambiente que oscilen entre 16 ° C y 43°C(T);

## Ubicación

El aparato debe instalarse lejos de fuentes de calor como radiadores, calderas, luz solar directa, etc. Asegúrese de que el aire pueda circular libremente por la parte posterior del gabinete. Para garantizar el mejor rendimiento, si el aparato se coloca debajo de una unidad de pared sobresaliente, la distancia mínima entre la parte superior del gabinete y la pared debe ser de al menos 100 m. Sin embargo, lo ideal es que el aparato no se coloque debajo de los muebles colgantes. La nivelación precisa está garantizada por uno o más pies ajustables en la base del gabinete.



**¡ADVERTENCIA!** Debe ser posible desconectar el aparato de la fuente de alimentación principal: por lo tanto, el enchufe debe ser fácilmente accesible después de la instalación.

## Conexión eléctrica

Antes de conectar el aparato, asegúrese de que el voltaje y la frecuencia que se muestran en la placa de características se corresponde con el suministro eléctrico de su hogar. El aparato debe tener conexión a tierra. El conector del cable de alimentación provisto tiene un contacto para este fin. Si la toma de corriente de su hogar no tiene una conexión a tierra, conecte el aparato a una toma de tierra independiente de acuerdo con las normativas vigentes. Consulte con un electricista cualificado.

El fabricante no asume ninguna responsabilidad si no se siguen las precauciones de seguridad indicadas anteriormente. Este aparato cumple con las directivas de la CEE.

# Uso diario

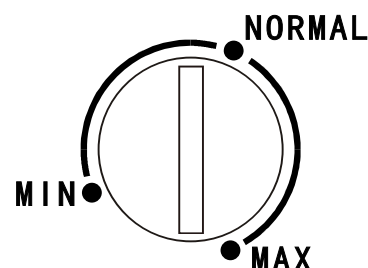
## Primer uso

### Limpieza del interior

Antes de utilizar el aparato por primera vez, lave el interior y todos los accesorios internos con agua tibia y un poco de jabón neutro para eliminar el olor típico de un producto nuevo, luego seque bien. **¡Importante!** No utilice detergentes ni polvos abrasivos, ya que dañarán el acabado.

### Ajuste de la temperatura

- Encienda el dispositivo. La temperatura interna se controla por un termostato. Hay 3 niveles, **MIN**, **NORMAL** y **MAX**. **MIN** es más cálido y **MAX** el más frío.
- El dispositivo no puede funcionar a la temperatura establecida si se coloca en una habitación bastante calor, o si con frecuencia abre la puerta del aparato.



### Uso cotidiano

Coloque diferentes alimentos en diferentes compartimentos de acuerdo con la siguiente tabla

Compartimientos del refrigerador	Tipo de comida
Cajones/estante del congelador	<ul style="list-style-type: none"><li>• Alimentos para almacenamiento a largo plazo</li><li>• Cajón inferior / estante para carne cruda, aves, pescado</li><li>• Cajón / estante intermedio para verduras congeladas, patatas fritas.</li><li>• Cajón/estante superior para helados, fruta congelada, productos horneados congelados.</li></ul>

### La congelación de alimentos frescos

- Congelador es adecuado para congelar alimentos frescos y conservar productos congelados y ultracongelados durante un largo periodo de tiempo.
- Coloque el compartimiento de alimentos frescos en la parte inferior del dispositivo.
- La cantidad máxima de alimentos que se pueden congelar en 24 horas se muestra en la tabla.
- El proceso de congelación dura 24 horas: durante este período no añada otros alimentos a congelar.

### Descongelación

Los alimentos ultra congelados o congelados, antes de ser utilizados se pueden descongelar en el frigorífico o en una sala a temperatura ambiente, dependiendo del tiempo disponible para esta operación. Pequeñas porciones, pueden cocinarse congeladas directamente del congelador. En este caso el tiempo de cocción será más largo.

### Cubitos de hielo

Este dispositivo puede estar equipado con uno o más contenedores para hacer cubitos de hielo.

## Consejos para la congelación

Para ayudarle a obtener el máximo del proceso de congelado les presentamos algunos consejos útiles:

- La cantidad máxima de alimentos que se pueden congelar en 24 horas se muestra en la placa.
- El proceso de congelación dura 24 horas. No deben añadirse más alimentos durante este período.
- Congelar productos alimenticios de calidad superior, frescos y perfectamente limpios.
- Preparar la comida en pequeñas porciones para que ésta pueda congelarse rápidamente y para que sea posible posteriormente descongelar sólo la cantidad necesaria.
- Envolver los alimentos en papel de aluminio o polietileno y asegúrese de que los paquetes sean herméticos.
- No permita que los alimentos frescos sin congelar toquen los alimentos congelados, evitando así un aumento de la temperatura de estos últimos.
- Los alimentos magros se almacenan mejor y más tiempo que los grasos; la sal reduce el tiempo de almacenamiento de los alimentos.
- El hielo, si se consume inmediatamente después de retirado del compartimento del congelador, puede causar quemaduras en la piel.
- Es aconsejable mostrar la fecha de congelación en cada envase individual para facilitar la eliminación del producto del congelador.

# Uso diario

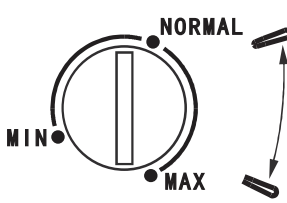
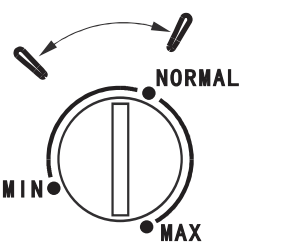
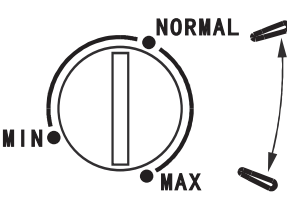
## Almacenamiento de alimentos congelados

En la primera puesta en marcha o después de un período de inactividad antes de colocar el producto en el compartimento, deje que el

El aparato funciona al menos 2 horas en los ajustes más altos.

**¡Importante!** En caso de descongelación accidental, por ejemplo, la energía ha estado apagada por más tiempo que el valor que se muestra en el cuadro de características técnicas en "tiempo de reposo", el alimento descongelado debe ser consumido rápidamente o cocido inmediatamente y luego re-congelado (después de cocido).

## Ajuste de temperatura recomendada

Ajuste de temperatura recomendada		
Temperatura ambiental	Compartimento congelador	Compartimento frigorífico
Verano		/
Normal		/
Invierno		/

- La información anterior brinda a los usuarios recomendaciones sobre el ajuste de temperatura

## Impacto en el almacenamiento de alimentos

- Bajo la configuración recomendada, el mejor tiempo de almacenamiento en el congelador es no más de un mes.
- El mejor tiempo de almacenamiento puede reducirse en otras configuraciones

# Uso diario

---

## Consejos para conservación de alimentos congelados

Para obtener el mejor rendimiento de este aparato, usted debe:

- Asegurarse de que los productos alimenticios comercialmente congelados fueron almacenados adecuadamente por el minorista.
- Asegúrese de que los alimentos congelados se transfieren desde la tienda de alimentos al congelador en el menor tiempo posible.
- No abra la puerta con frecuencia ni la deje abierta más de lo absolutamente necesario.
- Una vez descongelados los alimentos se deterioran rápidamente y no se puede volver a congelar.
- No exceda el periodo de almacenamiento indicado por el fabricante de alimentos.

## Limpieza

Por razones de higiene dentro de la unidad, incluyendo los componentes internos debe limpiarse regularmente.



**Atención!** El dispositivo no debe estar encendido durante la limpieza. Existe peligro de descarga eléctrica! Antes de limpiar compruebe que el dispositivo esté apagado y retire el enchufe de la toma de corriente. Nunca deje el dispositivo húmedo después de limpiarlo. La humedad de las piezas eléctricas puede causar peligro de descarga eléctrica! También el vapor caliente puede causar daños a las piezas de plástico. El aparato debe estar seco antes de encenderlo de nuevo.

**Importante!** Aceites esenciales y disolventes orgánicos pueden reaccionar con las piezas de plástico, tales como jugo de limón o, jugo de aranja, ácido butírico, agentes que contienen ácido acético.

- No permita que estas sustancias entren en contacto con las partes del dispositivo.
- No utilice limpiadores abrasivos.
- Retire los alimentos del congelador. Manténgalos en un lugar fresco, bien cubierto.
- Apague el aparato y retire el enchufe de la toma.
- Limpie el dispositivo y las partes internas con un paño y con agua tibia. Después de la limpieza con agua limpia, séquelo completamente.
- La deposición de polvo en el condensador puede causar la electricidad. Por esta razón limpie cuidadosamente el filtro en la parte posterior del dispositivo con un cepillo suave o con la aspiradora una vez por año.<sup>1)</sup>
- Una vez que todo esté seco encienda el dispositivo.

## Descongelar el congelador

El congelador con el tiempo se queda cubierto de escarcha, que debe ser eliminada. Nunca utilice utensilios metálicos para rozar la escarcha del evaporador, ya que esto puede causar daños.

Sin embargo, cuando el hielo se vuelve muy gruesa en el lado interior, empiece la descongelación como sigue:

- Quite el enchufe de la toma;
- Elimine todos los alimentos, envuélvelos en varias hojas de periódico y póngalos en un lugar fresco;
- Mantenga la puerta abierta, y coloque el recipiente debajo de la máquina para recoger el agua descongelada;
- Cuando se ha completado la descongelación, seque completamente el interior del dispositivo;
- Inserte el enchufe en la toma para poner el dispositivo de nuevo en funcionamiento.

1)\_Si el condensador en la parte posterior del dispositivo

# Uso diario

## Solución de problemas



**Atención!** Antes de la resolución de problemas, desconecte el cable de alimentación. Sólo un electricista cualificado puede resolver un problema que no aparece en el prospecto..

**¡Importante!** Hay algunos sonidos durante el uso normal (compresor, circulación de refrigerante).

Problema	Possible causa	Solución
El dispositivo no funciona.	El enchufe principal no está enchufado o está suelto.	Conecte el enchufe principal.
	El fusible se ha fundido o está defectuoso	Compruebe el fusible, cámbielo si es necesario.
	El enchufe está defectuoso.	Los enchufes defectuosos deben ser reemplazados por un electricista.
El aparato está demasiado frío	La temperatura está configurada para enfriar demasiado o el dispositivo está en modo MAX.	Configure el controlador en una configuración más cálida.
La comida no está suficientemente congelada.	La temperatura no está bien ajustada.	Consulte Configuración de temperatura.
	La puerta ha estado abierta durante mucho tiempo.	Mantenga la puerta abierta todo el tiempo que sea necesario.
	Se colocó una gran cantidad de comida caliente en el aparato durante las 24 horas anteriores.	Configure el controlador en configuraciones más frías.
	El aparato está cerca de una fuente de calor.	Lea la parte Ubicación de instalación.
Escarcha en el sello de la puerta..	El sello no está firmemente adherido.	Caliente con cuidado la parte de la puerta que está congelada con una secadora (en un ambiente frío). Al mismo tiempo, ajuste el sello a mano para instalarlo correctamente.
Ruido atípico.	El dispositivo no está nivelado.	Ajusta las pies
	El dispositivo toca una pared u otros objetos.	Mueva el dispositivo ligeramente.
	La parte del sistema, p. ej. tubería, la parte posterior del dispositivo toca la pared u otra parte del dispositivo.	Si es necesario, retire con cuidado esa parte.

Estos datos son necesarios para ayudarte de forma rápida y correcta. Escriba aquí los datos necesarios, consulte la placa de características. Si el mal funcionamiento persiste, ponga se en contacto con el Centro del Servicio.





PRT

# Manual de instruções

**Congelador VF 2510**  
**VF 2510SF**

## Conteúdo

1. Avisos de segurança	página 1-11
2. Descrição geral	página 12
3. Inserir a abertura da porta	página 13-15
4. Instalação	página 16-17
5. Uso diário	página 18-21

Pela sua segurança e a fim de garantir um uso correcto do aparelho, deve ler atentamente este manual antes de instalar e começar a utilizar este aparelho. Tenha também especial atenção as dicas e aos avisos de segurança.

Para evitar erros e acidentes desnecessários, é importante garantir que todas as pessoas que usam o aparelho estejam totalmente familiarizadas com seu funcionamento e sistemas de segurança. Guarde estas instruções e certifique-se de que acompanham o aparelho em caso de sua deslocação ou venda, para que todas as pessoas que o venham a utilizar no futuro estejam devidamente informadas sobre como utilizar o aparelho e de forma segura.

Mantenha constante respeito pelos avisos de segurança deste manual para evitar lesões pessoais ou danos no aparelho.

O fabricante não se responsabiliza por danos ou acidentes causados por acções que desrespeitem as instruções presentes neste manual.

### **Segurança de crianças e pessoas vulneráveis**

- Este aparelho pode ser utilizado por crianças com idade superior a oito anos e pessoas com capacidades físicas, sensoriais ou mentais reduzidas ou com falta de experiência e conhecimento, conquanto que tenham supervisão ou recebido instruções sobre como utilizar o aparelho de forma segura e compreendam os

perigos envolvidos.

- Crianças com idade superior a oito anos podem colocar e retirar os alimentos deste aparelho.
- As crianças devem ser supervisionadas de perto para garantir que não brincam com o aparelho.
- A limpeza e manutenção feita pelo utilizador não deve ser realizada por crianças, a menos que tenham idade superior a oito anos e sejam supervisionadas por um adulto.
- As embalagens deste aparelho representam um risco de asfixia para as crianças. Mantenha as embalagens fora do alcance das crianças.
- Quando decidir descartar de vez este aparelho, retire a ficha da tomada e corte o cabo, executando o corte o mais próximo possível do aparelho. Remova também a porta do aparelho. Desta forma evita que crianças ao brincar com o aparelho possam apanhar choques eléctricos ou ficarem fechadas no seu interior.
- Se o seu aparelho antigo possui um sistema de cadeado ou fecho na porta ou outro compartimento, então certifique-se que destrói o cadeado ou fecho antes de descartar o aparelho. Tal impedirá por exemplo, que crianças ao brincar se fechem dentro do aparelho. Lembre-se que frigoríficos velhos descartados com fechos ou cadeados podem ser armadilhas mortais para crianças.

## **Segurança Geral**

**⚠ AVISO!** Mantenha livres e desobstruídas todas as aberturas de ventilação do corpo do aparelho ou da estrutura embutida.

**⚠ AVISO!** Não use nenhum dispositivo mecânico ou outra ferramenta para acelerar o processo de descongelamento, excepto aqueles recomendados pelo fabricante.

**⚠ AVISO!** Não danifique o circuito refrigerante.

**⚠ AVISO!** Não coloque outros aparelhos eléctricos (p.e. máquinas de gelados, sumos, etc) no interior do frigorífico a menos que sejam aprovados para esse fim pelo fabricante dos mesmos aparelhos.

**⚠ AVISO!** Não toque na lâmpada do aparelho se esta estiver ligada durante um longo período de tempo, pois pode estar quente.<sup>1)</sup>


**⚠ AVISO!** Quando colocar ou mover o aparelho, certifique-se que o cabo de alimentação não está preso nem danificado.

**⚠ AVISO!** Não coloque tomadas múltiplas, triplas ou geradores de energia na parte traseira do aparelho.

- Não armazene no interior deste aparelho substâncias explosivas como p.e. latas de aerossol com propelente inflamável.

1) Caso o compartimento tenha lâmpada.

- O circuito de refrigeração deste aparelho contém gás refrigerante isobutano R600a, um gás natural com elevado nível de compatibilidade ambiental mas que é também altamente inflamável.
- Durante o transporte e instalação do aparelho certifique-se que nenhum dos componentes do circuito refrigerante sofre danos.
- Evite proximidade de chamas abertas e fontes de ignição.
- Mantenha totalmente ventilada a sala em que o aparelho se localiza.
- Alterar as especificações ou modificar este produto de qualquer forma representa um elevado perigo. Qualquer dano no cabo pode causar curto-circuito, incêndio e/ou choque eléctrico.
- Este aparelho destina-se a uso doméstico ou semelhante, como por exemplo:
  - áreas de cozinha de recursos humanos em lojas, escritórios e outros locais de trabalho;
  - quintas e residências rurais ou uso por clientes de hotéis, motéis, pousadas e estabelecimentos hoteleiros semelhantes;
  - estabelecimentos similares de bed & breakfast;
  - catering e outras aplicações não retalhistas semelhantes

 **AVISO!** Qualquer componente eléctrico como ficha, cabo de alimentação, motor ou outro, deve ser substituído por um agente certificado ou pessoal devidamente qualificado.

**⚠ AVISO!!** A lâmpada fornecida com este aparelho é uma “lâmpada de uso especial”, utilizável apenas para este aparelho. Esta "lâmpada de uso especial" não é utilizável para iluminação doméstica.<sup>1)</sup>

- O cabo da alimentação não pode ser emendado e alongado.
- Certifique-se de que a ficha eléctrica não é prensada ou danificada na parte traseira do aparelho. Se a ficha se danificar pode causar sobreaquecimento do aparelho e no limite, um incêndio.
- Certifique-se de que a ficha do aparelho está sempre ao seu alcance.
- Não puxe o cabo de alimentação para retirar a ficha.
- Não ligue a ficha a uma tomada solta ou mal instalada, dado o risco de incêndio ou choque eléctrico.
- Não opere o aparelho sem a lâmpada.
- O aparelho é pesado e deve ser movido com cuidado.
- Não retire nem toque produtos armazenados no congelador se tiver as mãos húmidas ou molhadas, pois pode causar lesões na pele como queimaduras por gelo.
- Evite a exposição prolongada do aparelho à luz solar directa.

## **Uso diário**

- Não coloque produtos quentes nas partes plásticas do aparelho.
- Não permita o contacto directo de produtos alimentares com a grelha traseira.

## **Avisos de segurança**

- Alimentos descongelados não devem ser novamente congelados.<sup>1)</sup>
- Armazene alimentos congelados pré-embalados de acordo com as instruções do fabricante dos seus alimentos congelados.<sup>1)</sup>
- As recomendações de armazenamento dos fabricantes de electrodomésticos devem ser estritamente cumpridas. Por favor, consulte as instruções relevantes.
- Não coloque refrigerantes e bebidas gaseificadas no congelador, dado que o gás cria pressão na garrafa ou recipiente da bebida podendo resultar na sua explosão e danos no aparelho.<sup>1)</sup>
- Os chamados "pauzinhos" dos gelados podem causar queimaduras de gelo se tocarem na pele imediatamente após serem retirados do congelador. Aguarde um pouco após retirá-los.<sup>1)</sup>
- Para evitar a contaminação dos alimentos, respeite por favor as seguintes instruções
- Abrir a porta por longos períodos pode causar um aumento significativo da temperatura nos compartimentos do aparelho.

1) Se há uma seção para o congelamento.



- Limpe regularmente as superfícies que podem entrar em contacto com alimentos e os sistemas de drenagem acessíveis.
- Limpe os depósitos da água se estes não forem usados durante 48 horas. Se não utilizar água durante cinco dias, lave todo o sistema embutido, especialmente se este for ligado directamente a um sistema de fornecimento de água.
- Carne e o peixe crus devem ser armazenados em recipientes adequados por forma a não entrarem em contacto nem pingar sobre outros alimentos.
- Os compartimentos de duas estrelas para alimentos congelados (se incluídos neste aparelho) são adequados para armazenar alimentos pré-congelados, fazer gelados ou cubos de gelo.
- Os compartimentos de uma, duas e três estrelas (se disponíveis no aparelho) não são adequados para congelar alimentos frescos.
- Se o aparelho permanecer vazio durante longos períodos, desligue-o, descongele, limpe, seque e deixe a porta aberta para evitar o desenvolvimento de mofo e manchas dentro do aparelho.

### **Manutenção e limpeza**

- Antes de executar qualquer manutenção, desligue o aparelho retirando a ficha da tomada.
- Não limpe o aparelho com objectos metálicos.
- Não utilize objectos pontiagudos para remover o gelo do aparelho, prefira antes um raspador de

plástico. <sup>1)</sup>

- Examine regularmente o ralo do frigorífico para ver se este tem água acumulada. Caso seja necessário, limpe o ralo. Se o ralo estiver bloqueado, a água irá acumular-se na parte inferior do aparelho. <sup>2)</sup>

## **Instalação**

**Importante!** Para uma correcta ligação a corrente eléctrica siga as instruções disponíveis nos parágrafos específicos.

- Desembale o aparelho e verifique se este apresenta danos. Não ligue o aparelho se este estiver danificado. Em caso de danos, reporte imediatamente ao local onde comprou este aparelho e guarde também a embalagem.

- Aguarde um mínimo de quatro horas antes de ligar o aparelho a corrente para permitir que o óleo circule novamente de volta para o compressor.

- Assegure uma circulação de ar adequada no redor do aparelho, caso contrário poderá levar ao seu sobreaquecimento. Para obter ventilação suficiente, siga as instruções para a instalação.

- Sempre que possível, os distanciadores do aparelho devem estar encostados a uma parede para evitar tocar ou prender as partes quentes como o compressor ou condensador e evitar possíveis queimaduras.

<sup>1)</sup>Caso o compartimento tenha lâmpada.

<sup>2)</sup> Se há um compartimento para a conservação de comida fresca.

- O aparelho não deve ser colocado perto de radiadores ou fogões.
- Certifique-se de que a ficha que liga a tomada permanece facilmente acessível mesmo após a instalação do aparelho.

### **Serviço e manutenção**


- Qualquer trabalho necessário para a manutenção do circuito eléctrico do aparelho deve ser executado por um electricista qualificado ou pessoa competente.
- Este produto deve ser reparado num Centro de Serviço Autorizado e utilizando apenas peças sobressalentes certificadas.

### **Poupança de energia**

- Não coloque os alimentos ainda quentes no aparelho;
- Não armazene os alimentos demasiado próximos pois tal impede a circulação de ar;
- Certifique-se que os alimentos não tocam na parte traseira do interior do compartimentos;
- Se a eletricidade falhar, não abra a(s) porta(s);
- Não abra a(s) porta(s) com muita frequência;
- Não mantenha a(s) porta(s) aberta(s) durante muito tempo;
- Não coloque o termóstato em temperaturas demasiado frias;
- Acessórios como gavetas, prateleiras e depósitos, devem ser mantidos nos seus lugares para ajudar a

manter um baixo consumo de energia.

## **Protecção Ambiental**

 Este aparelho não contém gases que possam danificar a camada de ozono, seja no circuito refrigerante ou nos materiais de isolamento.

O aparelho não deve ser descartado em conjunto com lixo doméstico. A espuma do isolamento contém gases inflamáveis e o aparelho deve ser eliminado de acordo com os regulamentos que pode obter junto das suas autoridades locais. Evite danificar a unidade de arrefecimento, em particular o permutador de calor.

Todos os materiais presentes neste aparelho e marcados pelo símbolo  são recicláveis.



Este símbolo no aparelho ou embalagem indica que este produto não pode ser tratado como lixo doméstico. Em alternativa, deve ser levado a um ponto de recolha apropriado para reciclagem de equipamentos eléctricos e electrónicos.

Ao assegurar que este aparelho é correctamente descartado, está a ajudar a prevenir potenciais consequências negativas para o meio ambiente e a saúde pública que poderiam ser causadas pelo manuseio inadequado dos resíduos presentes no aparelho. Para obter informações mais detalhadas sobre a reciclagem deste produto, entre em contacto com as suas autoridades locais, o centro de recolha adequado mais próximo da sua

residência ou o local onde adquiriu este produto.

## **Materiais de embalagem**

Os materiais com o símbolo  são recicláveis.

Descarte a embalagem em recipientes de colecta adequados para reciclagem.

## **Descarte do aparelho**

1. Desligue a ficha de corrente da tomada.
2. Desligue o cabo de alimentação e descarte-o.

### **⚠ AVISO!**

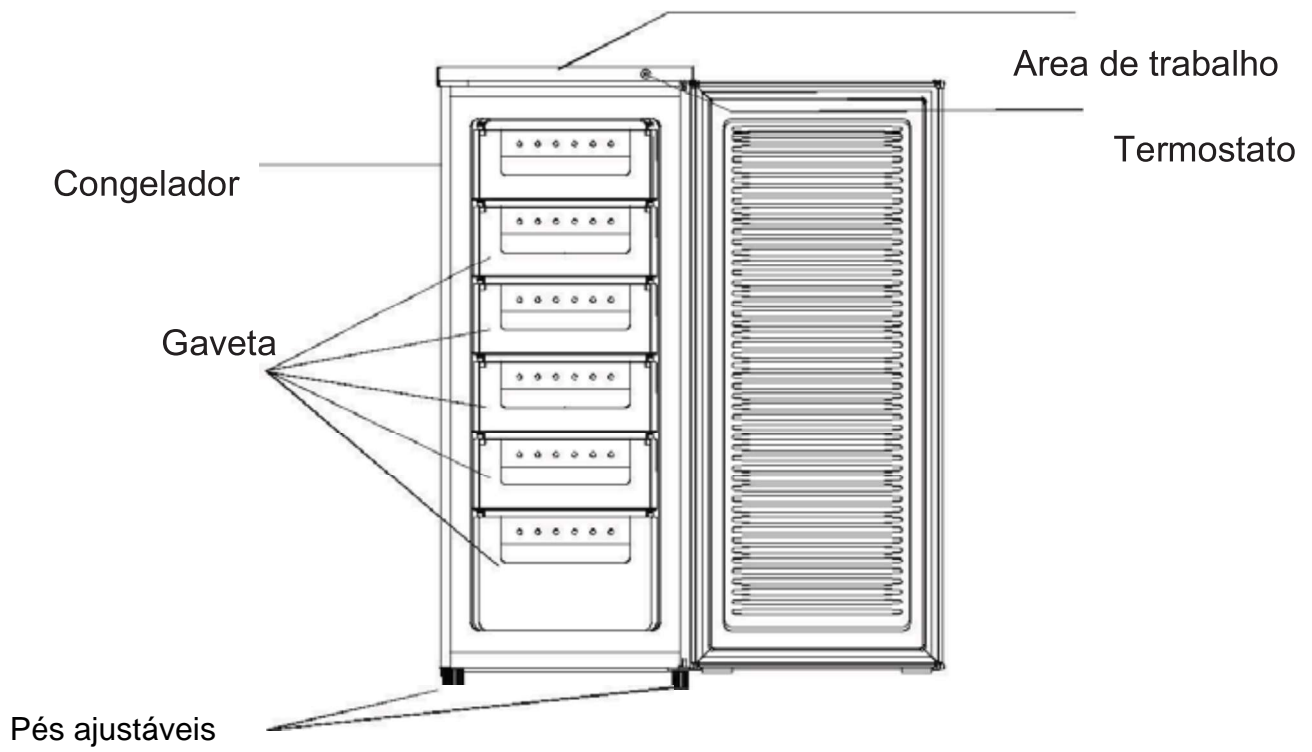


Durante a utilização, manutenção e eliminação do aparelho preste atenção ao símbolo semelhante ao disponível a esquerda e que se encontra na parte traseira do aparelho (painel traseiro ou compressor) com cor amarela ou laranja. Trata-se de um símbolo para alerta de risco de incêndio. Existem materiais inflamáveis nos tubos do refrigerante e do compressor.

Durante a utilização, manutenção ou descarte do aparelho, mantenha sempre uma distância segura de chamas ou fontes de ignição.

## Descrição geral

---



**Nota:** A foto acima serve apenas como referência.

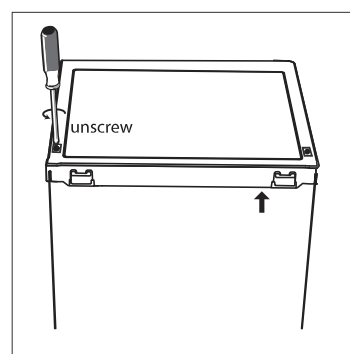
## Inverter a abertura da porta

### Ferramentas necessárias: chave de fendas philips, chave de fendas plana e chave sextavada.

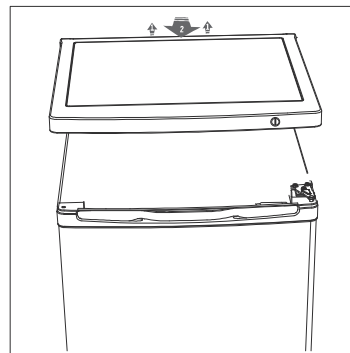
- Certifique-se que o aparelho está vazio e desligado da corrente.
- Incline o aparelho para trás para remover a porta. Mantenha o aparelho pousado num local seguro e fixo para que este não escorregue durante o processo.
- Mantenha todas as peças retiradas pois serão necessárias ao reinstalar a porta.
- Não coloque o aparelho na posição horizontal pois pode danificar o sistema de refrigeração.
- Aconselhamos a efectuar este processo com a ajuda de mais uma pessoa.
- Este aparelho de refrigeração não deve ser embutido.

1 . Retire os dois parafusos localizados na parte traseira da tampa superior.

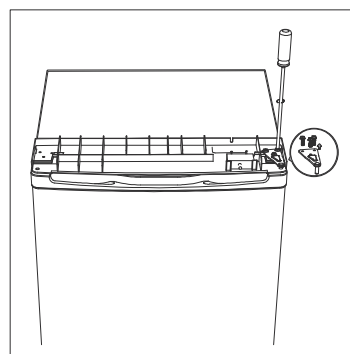
Desaparafusar



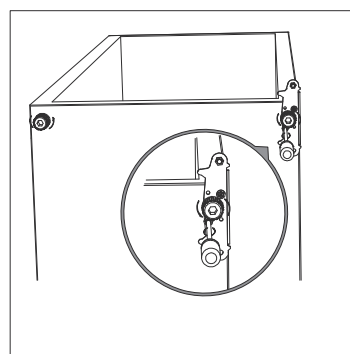
2. Remova a tampa superior e o botão do termostato e coloque-os de parte.



3. Desparafuse a dobradiça superior, remova a porta e coloque-a sobre uma superfície suave para evitar riscos e outros danos.

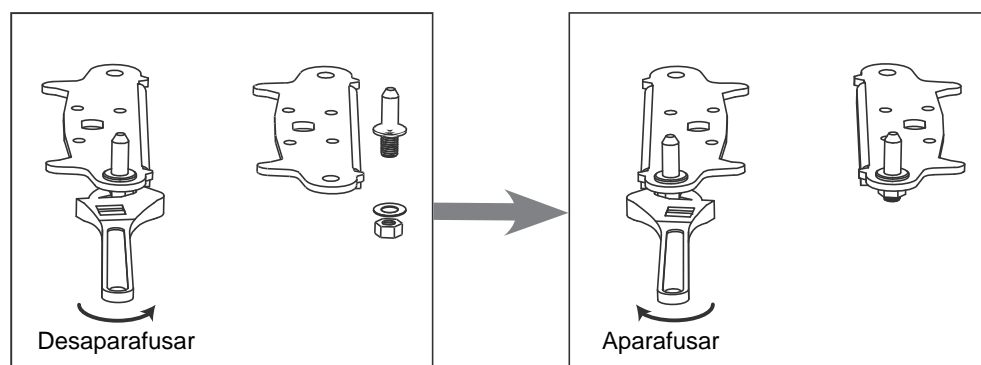


4. Desparafuse a dobradiça inferior. De seguida, remova os pés ajustáveis de ambos os lados.

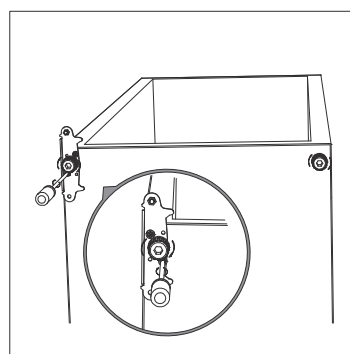


## Inverter a abertura da porta

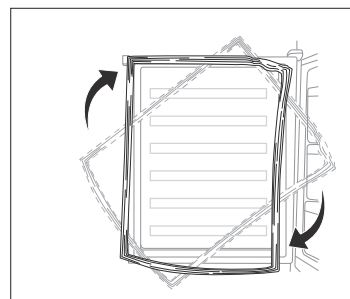
5. Desparafuse e remova a cavilha da dobradiça inferior, rode o suporte e volte a colocá-lo.



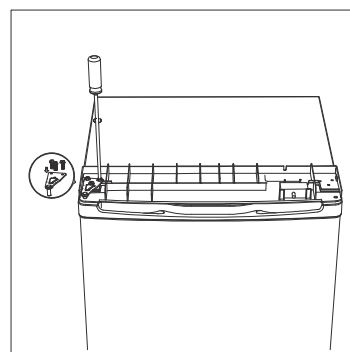
6. Reinstale o suporte encaixando-o na cavilha da dobradiça inferior e substitua os dois pés ajustáveis.



7. Retire as juntas da porta do congelador e frigorífico e de seguida fixe-as após rodar.



8. Coloque novamente a porta. Certifique-se de que a porta esta alinhada na horizontal e vertical para que as borrachas vedem em todos os lados antes de finalmente apertar a dobradiça superior.

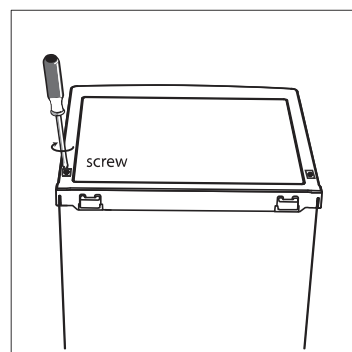




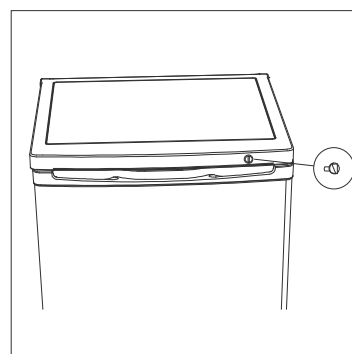
## Inverter a abertura da porta

9. Coloque a tampa superior e fixe-a com dois parafusos na parte traseira.

Aparafusar

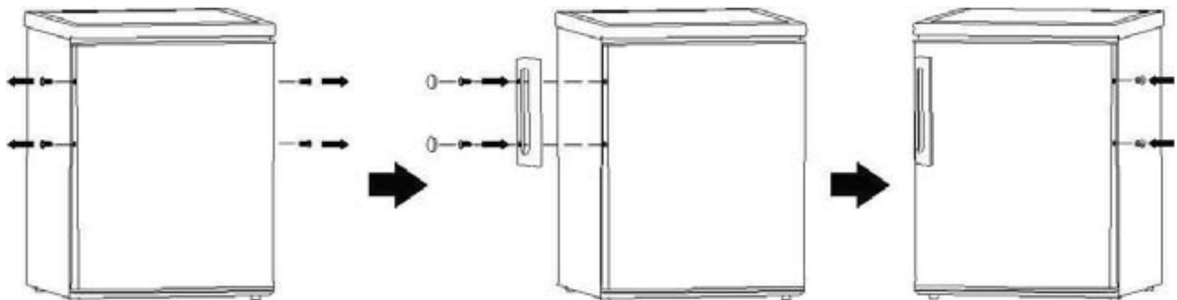


10. Fixe o botão do termostato.



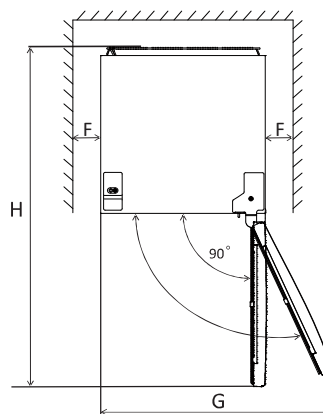
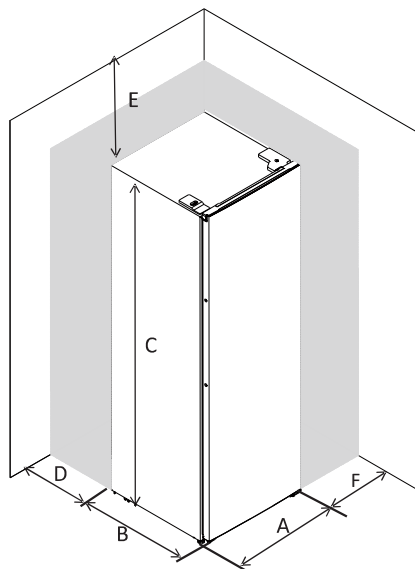
# Instalação

## Instalar a maçaneta da porta



## Espaço requisitado

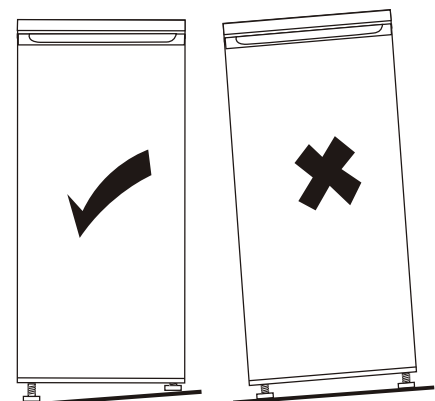
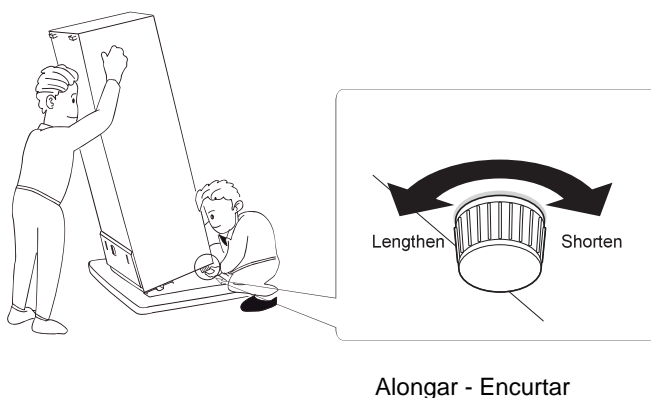
- Mantenha espaço suficiente para a abertura da porta
- Deve manter uma folga mínima de 50mm para as partes laterais do aparelho



A	550
B	580
C	1420
D	min=50
E	min=50
F	min=50
G	960
H	1130
I	135°

## Nivelar o aparelho

Utilize os dois pés ajustáveis disponíveis na parte frontal.  
Se o aparelho não estiver bem nivelado, as portas e as borrachas não isolarão devidamente.



# Instalação

---

## A escolha do local

Escolher o local:

Instale este aparelho num local onde a temperatura ambiente corresponde à classe climática indicada na placa de identificação disponível. Para aparelhos de refrigeração com classe climática:

— Temperado extenso: este aparelho deve ser usado em temperaturas ambientes que variam de 10°C a 32°C (SN);

— Temperado: este aparelho deve ser usado em temperaturas ambientes de 16°C a 32°C (N);

— Subtropical: este aparelho destina-se a ser utilizado em temperaturas ambiente de 16°C a 38°C (ST);

— Tropical: este aparelho destina-se a ser utilizado em temperaturas ambiente de 16°C a 43°C (T)

## Localização

O aparelho não deve ser instalado próximo de fontes de calor como aquecedores de radiador, caldeiras, exposto a luz solar direta, etc. Certifique-se de que o ar circula livremente na parte traseira do frigorífico. Se posicionar este aparelho por debaixo de algum móvel suspenso garanta uma distância mínima de pelo 50 mm entre o topo do frigorífico e o móvel. Tal irá garantir melhor desempenho do aparelho. Idealmente, este frigorífico não deve ser posicionado debaixo em zonas com tecto baixo. A precisão do nivelamento é garantido por um ou mais pés ajustáveis na base do aparelho.

Este aparelho de refrigeração não se destina a ser usado como aparelho embutido.



**Aviso!** Certifique-se de que será sempre possível desligar rapidamente o aparelho da rede eléctrica, como tal a ficha deve estar sempre próxima e acessível, mesmo após a instalação.

## Ligação eléctrica

Antes de ligar o aparelho a corrente, certifique-se de que a voltagem e a frequência exibidas na placa de identificação correspondem à rede eléctrica da sua casa. O aparelho deve ser instalado com fio terra, a ficha e o cabo de alimentação são fornecidos

com uma entrada terra. Se a tomada eléctrica da sua casa não possuir uma ligação terra, então conecte o aparelho a um aterramento separado de acordo com os regulamentos atuais, consultando para o efeito um electricista qualificado.

O fabricante declina qualquer responsabilidade se as precauções de segurança acima descritas não forem respeitadas. Este aparelho está em conformidade com as directivas C.E.E.

# Uso diário

## Primeira utilização

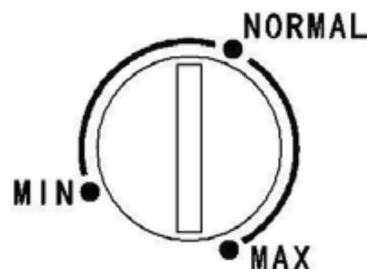
### Limpe o interior

Antes de utilizar pela primeira vez este aparelho, lave o interior e todos os acessórios internos com água morna e um pouco de sabão neutro para remover o cheiro típico de um produto novo e posteriormente seque-o bem.

**Nota importante:** Não use detergentes ou químicos abrasivos pois podem danificar o acabamento

### Definir a temperatura

- Ligue o seu aparelho. A temperatura interna é controlada por um termostato. Existem três definições possíveis MIN, MAX e NORMAL, sendo MIN a menos fria, e MAX a mais fria.
- Este aparelho poderá não operar correctamente se estiver num local com temperaturas ambientes demasiado quentes ou se a porta for aberta com muita frequência.



### Uso Diário

Coloque los distintos tipos de alimentos en los diferentes compartimentos del frigorífico, según la siguiente tabla:

Refrigerator compartments	Type of food
Cajon/estante del congelador	<ul style="list-style-type: none"><li>• Alimentos para almacenamiento a largo plazo.</li><li>• Cajón inferior / estante para carne cruda, aves, pescado</li><li>• Cajón / estante intermedio para verduras congeladas, patatas fritas.</li><li>• Cajón/estante superior para helados, fruta congelada, productos horneados congelados.</li></ul>

### Congelar alimentos frescos

- O compartimento do congelador é adequado para congelar alimentos frescos e armazenar alimentos congelados e ultracongelados durante longos períodos.
- Coloque no congelador os alimentos frescos que deseja congelar.
- A quantidade máxima de alimentos que podem ser congelados em 24 horas está especificada na placa de características.
- O processo de congelamento dura 24 horas: durante este período, não adicione outros alimentos para serem congelados.

### Descongelar

Antes de serem utilizados, os alimentos ultracongelados ou congelados podem ser descongelados no compartimento do frigorífico ou à temperatura ambiente, dependendo do tempo disponível para esta operação. Os pedaços pequenos podem até ser cozinhados ainda congelados, sendo que nesse caso, o tempo de cozedura será um pouco superior.

### Cubos de gelo

Este aparelho pode ser equipado com uma ou mais formas para produção de cubos de gelo.

#### Dicas e sugestões úteis

##### Dicas para congelar

Para aproveitar da melhor maneira do processo de congelamento, sugerimos algumas dicas importantes:

- a quantidade máxima de alimentos que podem ser congelados durante 24 horas está descrita na placa de identificação;
- o processo de congelamento leva 24 horas e nenhum outro alimento a ser congelado deve ser adicionado durante este período;
- congele apenas alimentos de alta qualidade, frescos e bem limpos;
- prepare os alimentos em pequenas porções para permitir que sejam rápida e completamente congelados e posteriormente possa descongelar apenas a quantidade que necessitar.
- embrulhe os alimentos em folha de alumínio ou sacos de polietileno e certifique-se de que as embalagens estão herméticas;
- não permita que alimentos frescos e não congelados toquem em alimentos já congelados, evitando assim o aumento da temperatura destes;
- alimentos magros armazenam melhor e por mais tempo do que os gordurosos dado que o sal reduz o tempo de armazenamento;
- os gelados não devem ser consumidos imediatamente após serem retirados do congelador pois podem causar queimaduras na pele;
- é aconselhável apontar a data de congelamento em cada embalagem individual para permitir que a tempo de armazenamento.

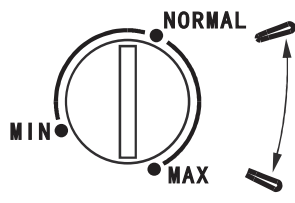
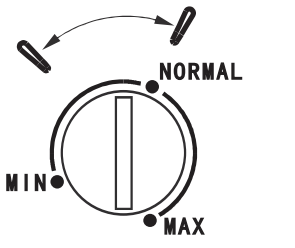
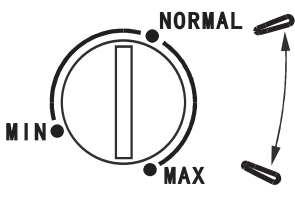
# Uso diário

## Armazenamento de alimentos congelados

Ao ligar o aparelho pela primeira vez ou após um longo período fora de uso, deixe o aparelho funcionar durante duas horas nas configurações mais elevadas. Só depois é que deve colocar alimentos no aparelho.

**Nota importante!** Em caso de um descongelamento acidental, causado p.e. por uma falha da corrente eléctrica (por tempo mais elevado que o indicado na tabela técnicas em “tempo de subida”), os alimentos descongelados devem ser rapidamente consumidos ou imediatamente cozinhados para serem posteriormente congelados.

## Definição de temperaturas recomendadas

Definição de temperaturas recomendadas		
Temperatura ambiental	Compartimento congelador	Compartimento frigorífico
Verão		/
Normal		/
Inverno		/

A informação acima presente visa dar recomendações sobre definição de temperaturas

### Impacto no Armazenamento de Alimentos

- . De acordo com as definições de temperatura recomendadas, o tempo de armazenamento recomendado no congelador é de um mês no máximo.
- . O período indicado de armazenamento poderá ser menor dependendo das definições de temperatura escolhidas.

## Uso diário

---

### Dicas para armazenamento de alimentos congelados

Para obter o melhor desempenho deste aparelho:

- certifique-se que os alimentos congelados industrialmente estão armazenados de forma adequada no supermercado;
- certifique-se que os alimentos congelados são transferidos do local de compra para o congelador no menor espaço de tempo possível;
- não abra a porta com frequência nem a deixe aberta por mais tempo do que o absolutamente necessário.
- após descongelados, os alimentos deterioram-se rapidamente e não podem ser novamente congelados;
- não exceda o período de armazenamento indicado pelo fabricante dos alimentos.

### Limpeza

Por razões de higiene, o interior do aparelho e acessórios interiores, devem ser regularmente limpos.



**Atenção!** Durante a limpeza o aparelho não pode estar ligado à corrente, dado o perigo de choque eléctrico! Antes de limpar, desligue o aparelho e retire a ficha da tomada ou desligue o disjuntor ou fusível. Nunca faça a limpeza com um aparelho que utilize vapor para limpar.

A humidade pode se acumular nos componentes eléctricos, representando um perigo de choque eléctrico!

Os vapores quentes podem causar danos às peças de plástico.

Seque bem o aparelho deve o voltar a ligar.

**Importante!** Óleos com éter e solventes orgânicos podem danificar as peças plásticas, como p.e. sumo de limão ou de casca de laranja, ácido butírico, ou produto que contenha ácido acético.

- Não permita que tais substâncias entrem em contacto com as peças do aparelho.
- Não use limpadores abrasivos
- Retire os alimentos do congelador e guarde-os num local fresco e bem coberto.
- Desligue o aparelho e retire a ficha da tomada ou desligue o disjuntor ou fusível.
- Limpe o aparelho e os acessórios interiores com um pano e água morna, depois deixe secar.
- Pó acumulado no condensador aumenta o consumo de energia, como tal, limpe cuidadosamente o condensador posicionado na parte traseira do aparelho uma vez por ano com uma escova macia ou um aspirador. \*
- Após secar totalmente, volte a ligar novamente o aparelho.

### Descongelar

O compartimento do congelador tende a ficar progressivamente preenchido com gelo acumulado e que deve ser periodicamente removido.

Para tal, nunca use ferramentas metálicas afiadas para raspar o gelo preso a grelha, pois tal pode causar danos irreparáveis.

Sempre que o gelo se torne muito espesso no revestimento interno, o descongelamento completo deve ser realizado da seguinte forma:

- retire a ficha da tomada;
- retire todos os alimentos armazenados, embrulhe-os em várias camadas de papel e coloque-os num local fresco;
- mantenha a porta aberta e coloque uma bacia por baixo do aparelho para recolher a água criada pelo degelo;
- quando o descongelamento estiver concluído, seque bem o interior
- volte a ligar a ficha na tomada para ligar novamente o aparelho.

1) Caso condensador está na parte de trás do aparelho.

## Resolução de problema



**Atenção!** Antes de procurar resolver algum problema, desligue a ficha da tomada. Somente um electricista ou técnico qualificado deverá prestar os serviços necessários para resolver problemas que não constem deste manual.

**Importante!** Por vezes o aparelho emite alguns sons durante o seu uso normal provenientes do compressor ou da circulação do líquido refrigerante.

Problema	Causa Provável	Solução
O aparelho não funciona	A ficha não está ligada ou está mal ligada.	Ligue bem a ficha.
	O fusível fundiu ou está defeituoso	Verifique o fusível e substitua-o se necessário.
	A tomada tem algum problema.	A tomada deve ser arranjada por um electricista.
O aparelho congela ou arrefece demasiado	A temperatura está definida num valor demasiado frio ou o aparelho encontra-se no modo MAX.	Altere temporariamente a temperatura para um valor um pouco mais quente
Os alimentos não estão congelados o suficiente	A temperatura não está devidamente ajustada	Consulte a secção "Definição de temperatura"
	A porta esteve aberta durante demasiado tempo	Abra a porta apenas durante o tempo necessário e não a deixe aberta
	Colocou uma elevada quantidade de comida quente nas últimas 24 horas	Altere temporariamente a temperatura para um valor um pouco mais frio
	O aparelho está colocado próximo de uma fonte de calor	Consulte a secção "Instalação" e tenha atenção a localização do aparelho
Muito gelo acumulado na borracha da porta	A borracha não está hermética	Cuidadosamente, aqueça as partes da borracha que não estão a isolar bem. Faça-o com um aquecedor (com ar frio) e em simultâneo molde as partes da borracha com a mão, até selarem bem.
Ruídos incomuns	O aparelho não está bem nivelado.	Ajuste novamente o aparelho através dos pés ajustáveis.
	O aparelho está em contacto com a parede ou com outros objectos.	Afaste ligeiramente o aparelho.
	Um componente, p.e. um tubo, pode estar a tocar noutra peça do aparelho ou na parede.	Se necessário, afaste cuidadosamente esse componente.

Se alguns destes problemas subsistir, contacte o seu agente autorizado. Escreva aqui os dados técnicos disponíveis na placa técnica presente neste aparelho. Estes dados são úteis para lhe prestar um serviço técnico mais célere e correcto.

