



GBR

ITA

DEU

RUS

SRB

ESP

PRT

GRC

SVN

HRV

BIH

MNE

MKD

ALB

EM - 2100

OPERATING INSTRUCTIONS ICE MAKER

MANUALE DELL'UTENTE MACCHINA DEL GHIACCIO

BEDIENUNGSANLEITUNG EISWÜRFELMASCHINE

ИНСТРУКЦИЯ ПО ЭКСПЛУАТАЦИИ ЛЬДОГЕНЕРАТОР

UPUTSTVO ZA UPOTREBU APARAT ZA PRAVLJENJE LEDA

MANUAL DE USUARIO FABRICADOR DE HIELO

MANUAL DO USUÁRIO MÁQUINA DE GELO

ΕΓΧΕΙΡΙΔΙΟ ΧΡΗΣΤΗ ΠΑΓΟΜΗΥΑΝΗ

NAVODILA ZA UPORABO APARAT ZA PRIPRAVO LEDU

UPUTE ZA UPORABU LEDOMAT

UPUTSTVO ZA UPOTREBU APARAT ZA PRAVLJENJE LEDA

УПАТСТВА ЗА УПОТРЕБА ЛЕДОМАТ

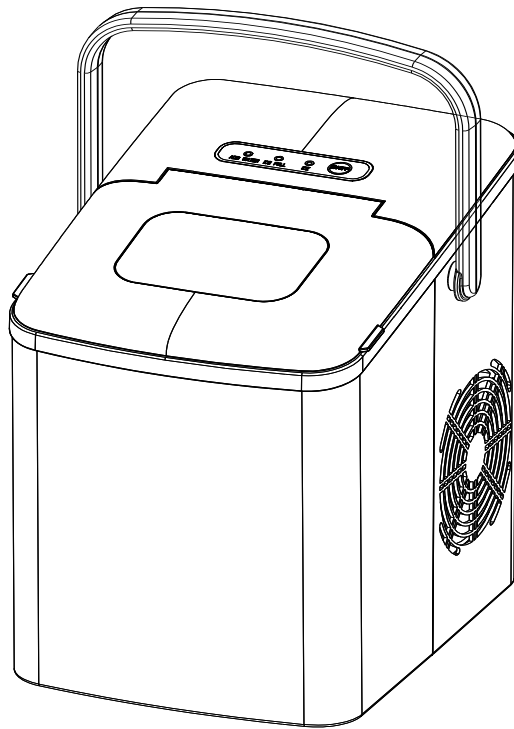
MANUALI I PERDORUESIT APARAT PËR PËRGATITJEN E AKULLIT



VOX
ELECTRONICS

GBR

ICE MAKER INSTRUCTION MANUAL



EM2100

Read this manual carefully before use and save it for future reference

IMPORTANT SAFETY INSTRUCTIONS

To reduce the risk of fire, explosion, electric shock, or injuries when using your ice maker, follow these important safety instructions:

1. Before use check if the voltage power corresponds to the one shown on the appliance nameplate.
2. Do not remove any safety, warning, or product information labels from your ice maker.
3. Plug the ice maker into an exclusive grounded power outlet. No other appliance should be plugged into the same outlet. Be sure that the plug is fully inserted into the receptacle.
4. This appliance must be grounded. It is equipped with a power cord having a grounding plug. The plug must be plugged into an outlet that is properly installed and grounded.
5. Avoid the use of an extension cord because it may overheat and cause a risk of fire. However, if it is necessary to use an extension cord:
 - 1) Use only extension cord with grounding plug.
 - 2) The marked rating of an extension cord must be equal to or greater than the rating of this appliance.
 - 3) It should be positioned so that it does not hang over the counter or tabletop where it can be pulled on by children intentionally.
6. Do not operate the appliance with a damage cord or plug or after the appliance malfunction or has been damaged in any manner. Return the appliance to the nearest authorized service facility for examination, repair or adjustment.
7. If the supply cord is damaged, it must be replaced by the manufacturer or its service agent or a similarly qualified person in order to avoid any hazard.
8. For appliances which use flammable insulation blowing gases, the instructions shall include information regarding disposal of the appliance.
9. Do not let cord hang over an edge of a table or counter.
10. Do not place on or near a hot gas or electric burner, or in a heated oven.
11. Place the power cord so that it cannot be pulled by children or cause a tripping hazard.
12. Place power cord so that it is not in contact with hot surfaces.
13. The use of attachment not recommended or sold by manufacturer may cause fire, electric shock or injury.
14. Do not touch the evaporator when using the ice maker or making ice to avoid suffering

from frostbite.

15. Do not immerse any part of the appliance in water.
16. To disconnect, turn any control to “OFF”, then remove the plug from the wall outlet.
17. Do not plug or unplug the appliance with wet hands.
18. Unplug the appliance before cleaning, maintaining and when not in use.
19. Do not use with water that is microbiologically unsafe or of unknown quality.
20. Do not clean the appliance with any flammable fluids. The fumes can create a fire hazard or explosion.
21. Do not overturn the ice maker. If the ice maker is overturned accidentally, make it stand steadily for 2 hours before power it on again.
22. If the ice maker is brought in from outside in wintertime, do not use it for a few hours, allow the unit to warm up to the room temperature before operating.
23. Never put flammable, explosive and corrosive articles into the ice maker.
24. Never use the ice maker when there is flammable gas leakage.
25. Never store or use gas and other flammable articles near the ice maker to avoid any fire.
26. Unplug the ice maker before moving it to avoid damaging the refrigerating system.
27. Do not attempt to disassemble, repair, modify, or replace any part of your product.
28. Children must not play with the appliance.
29. This appliance can be used by children aged from 8 years and above and persons with reduced physical, sensory or mental capabilities or lack of experience and knowledge only if they have been given supervision or instruction concerning use of the appliance in a safe way and understand the hazards involved
30. Cleaning and user maintenance shall not be made by children without supervision.
31. Close supervision is necessary when any appliance is used by or near children.
32. Do not leave the appliance unattended while in use.
33. Do not use outdoors.
34. Do not use the appliance for other than intended use.
35. Please dispose the ice maker according to local regulators regarding disposal of the appliance as it uses flammable blowing gas and refrigerant.
36. **WARNING:** Fill with potable water only.
37. **WARNING:** Keep the ventilation openings in the appliance enclosure or in the built-in

structure clear of obstruction.


38. WARNING: Do not use mechanical devices or other means to accelerate the defrosting process, other than those recommended by the manufacturer.

39. WARNING: Do not damage the refrigerant circuit.

40. WARNING: Do not use electrical appliances inside the food storage compartments of the appliance, unless they are of the type recommended by the manufacturer.

41. Do not store explosive substances such as aerosol cans with a flammable propellant in this appliance.



42.  Warning: Risk of fire/flammable materials.

43. WARNING: When positioning the appliance, ensure the supply cord is not trapped or damaged.

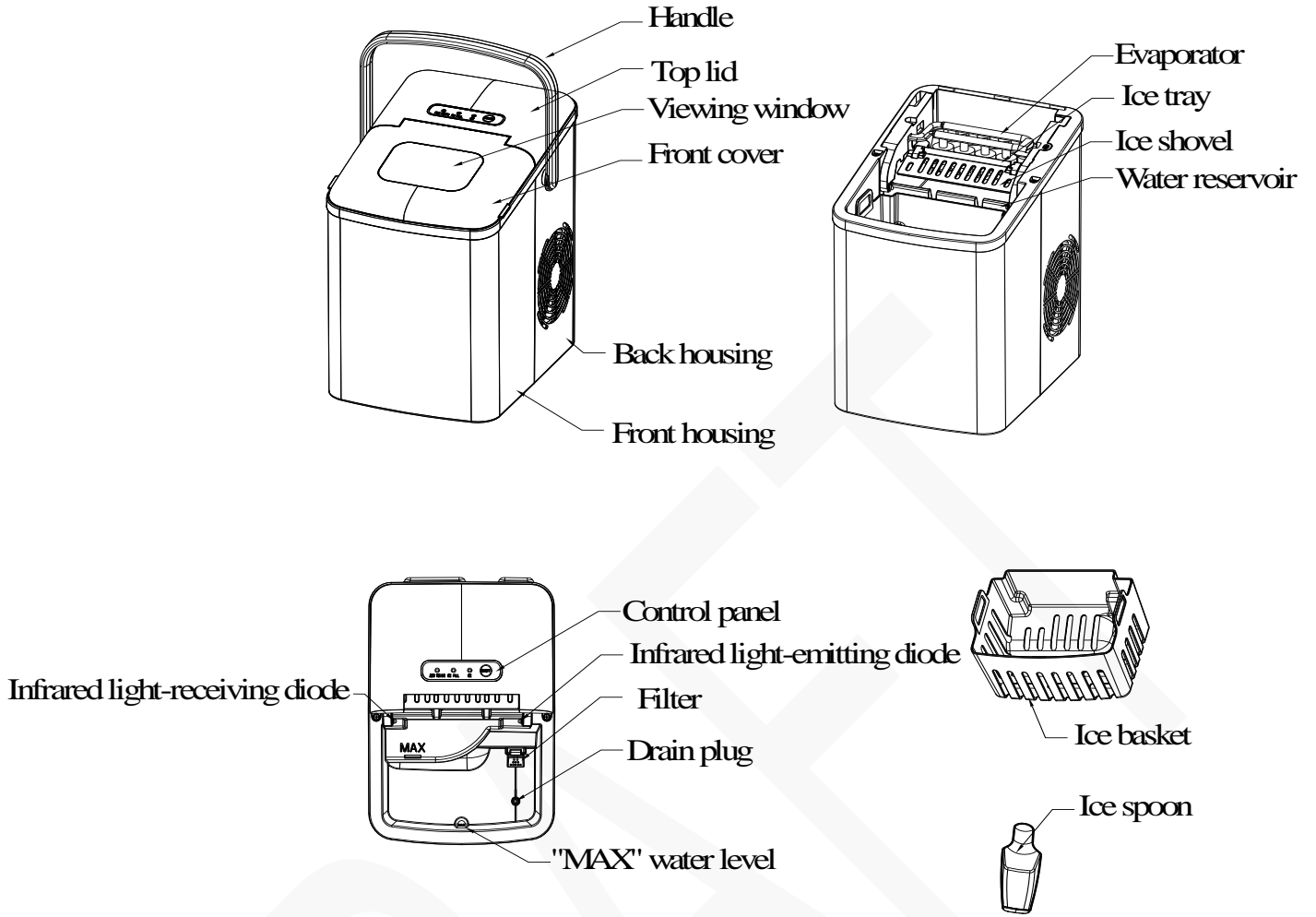
44. WARNING: Do not locate multiple portable socket-outlets or portable power supplies at the rear of the appliance.

45. This appliance is intended to be used in household and similar applications such as

- staff kitchen areas in shops, offices and other working environments;
- farm houses and by clients in hotels, motels and other residential type environments;
- bed and breakfast type environments;
- catering and similar non-retail applications.

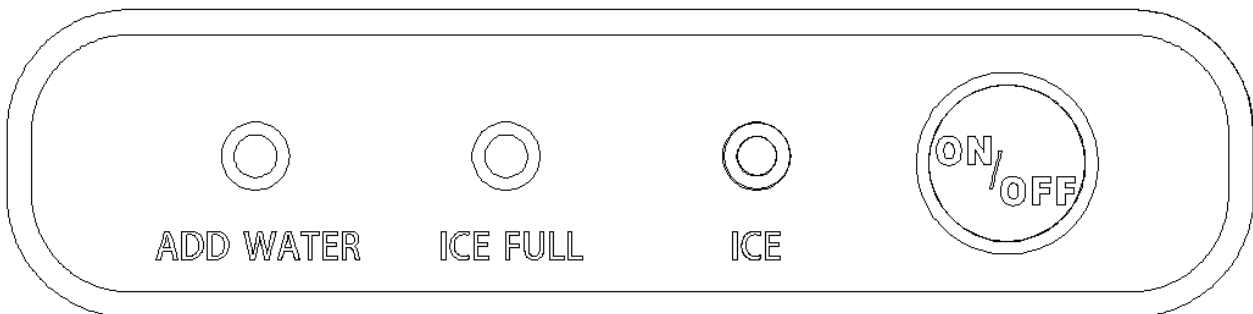
46. Save these instructions.

KNOW YOUR ICE MAKER



(Product may be subject to change without prior notice)

CONTROL PANEL



Key (with indicator)	Function
ON/OFF	Start or stop the appliance; Long press for cleaning;
ICE	Standby mode: “ICE” indicator blinks; Cleaning condition: “ICE” indicator blinks quicker; Working condition: “ICE” indicator lights solidly.
ICE FULL	“ICE FULL” indicator lights up when the ice basket is full.
ADD WATER	“ADD WATER” indicator lights up when the water reservoir is lack of water.

BEFORE FIRST USE

1. Unpack the appliance, then check and make sure that all the accessories including ice basket and ice scoop etc. are complete. Please contact the client service department if some accessories are missing.
2. Please follow the operation as below to install the handle well in position.
 - 1) Grasp both sides of the handle shown in arrows with hands and pull them outwards (see Fig.1).
 - 2) Make the handle align with the holes at the housing and release the hands, then insert the handle into the holes of housing (see Fig.2).
 - 3) Pull and make the handle be upright, and then pull both sides of the handle outwards by following the operation of Step 1). Check and make sure that the handle is positioned well at the holes of housing.
 - 4) Hold the center of handle and lift it upwards (see Fig.3), check and make sure that no abnormal condition can be found.

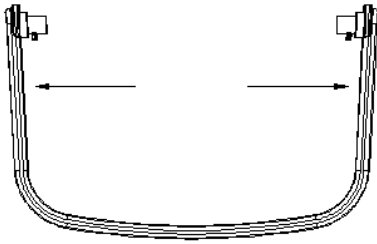


Fig.1

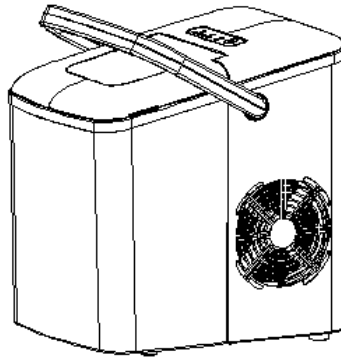


Fig.2

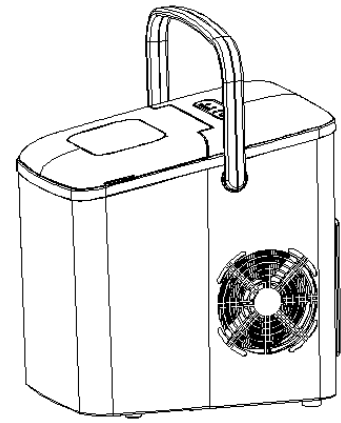


Fig.3

3. Make sure the ice maker is level and on a stable table or platform as to avoid malfunction.
4. The incline angle of the ice maker cabinet should not exceed 45° during transportation or use. Do not turn the ice maker upside down. Doing so could cause the compressor or refrigerating system to operate incorrectly. Please allow time for the fluids in the compressor to settle after the ice maker is moved or transported. Before using the ice maker for the first time, please wait for 2 hours after the unit has been leveled and positioned in the proper place.
5. The appliance must be placed on a dry and level surface with sufficient ventilation, far from heat sources such as ovens, heaters and corrosive gases. Leave about a 6-inch (15cm) clearance on all sides of the ice maker for proper ventilation.
6. Do not fill the water reservoir with hot water. This may damage the ice maker. It is best to fill the water reservoir with water of room temperature or lower.
7. Do not use the appliance in a very cold environment (lower than 5°C).
8. Clean the appliance before use by following instructions “**CLEANING AND MAINTENANCE**”.

USING YOUR ICE MAKER

1. Ensure that the drain plug at the bottom of the water reservoir is closed well.
 2. Plug the ice maker into the wall outlet, the “ICE” indicator blinks.
- NOTE:** Allow the ice maker to rest for 30 minutes before plugging if it has been moved.
3. Open the top lid and remove the ice basket.

4. Fill the water reservoir with drinking water.

NOTE: Do not fill above the MAX water level mark.

5. Replace the ice basket and close the top lid.

6. Press “ON/OFF” key and the “ICE” indicator lights solidly.

7. The ice-making cycle will last approximately 7-15 minutes, depending on the ambient temperature and water temperature.

8. The ice-making cycle starts with water being pumped into the ice tray situated below the evaporator. Over the next 7-15 minutes ice is formed on the evaporator. Once this has completed, the ice tray will tilt backwards and the remaining water in the ice tray is drained back into the water reservoir. The ice cubes are then dropped from the evaporator and pushed forward into the ice basket by the ice shovel. The ice tray will automatically move back into position under the evaporator and start the next cycle.

9. The “ICE FULL” indicator will light up when the ice basket is full and then the ice maker will stop the ice-making cycle automatically. Gently remove the ice from the ice basket with the ice scoop. About 7.5seconds later, the ice maker will restart its ice making function automatically.

10. The “ADD WATER” indicator will light up when the water reservoir lacks water and the ice-making cycle will stop automatically. If so, remove the ice basket and add water to the water reservoir and then press “ON/OFF” key again to restart the ice-making cycle. The appliance will start working automatically after about 20 minutes if the operator forgets to restart the appliance after refilling it.

11. When you get your desired amount of ice, stop the ice making cycle by pressing the “ON/OFF” key and unplug the unit from the wall outlet.

12. Open the top lid and transfer the ice to a freezer.

13. Allow the ice maker to reach room temperature.

14. Suggest replacing the water every week. Please empty the water reservoir if the ice maker is not used for a long time.

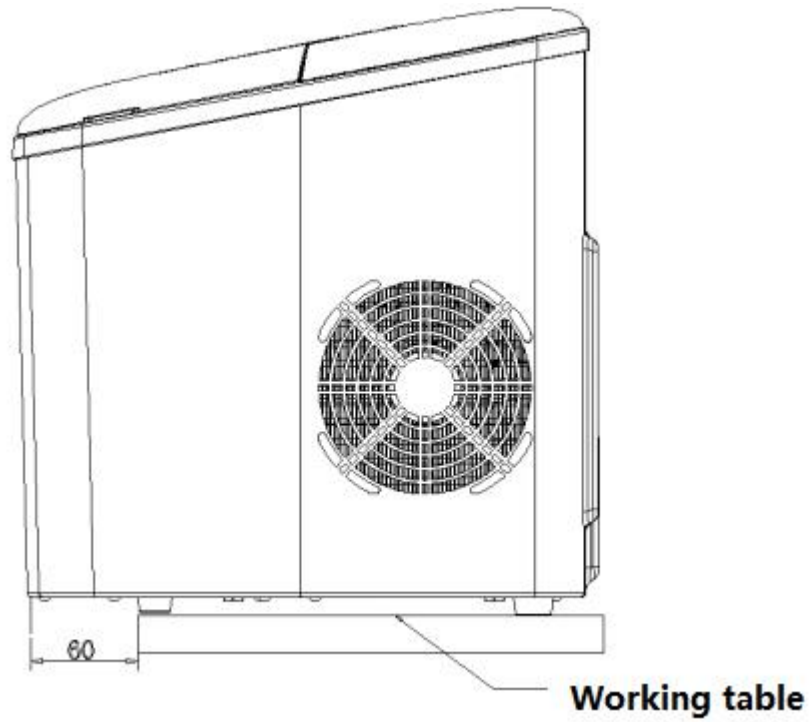
CLEANING AND MAINTENANCE

To keep your ice tasting fresh and your ice maker looking great, we recommend cleaning your ice maker once a week.

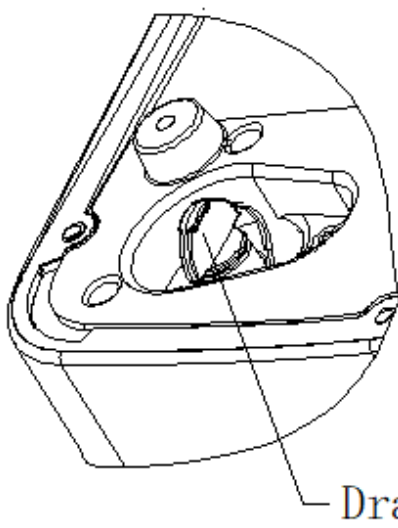
1. Stop the ice-making cycle by pressing the “ON/OFF” key, unplug the ice maker from the wall outlet and allow it to warm up to room temperature.
2. If residual water is found in the ice tray, gently push the ice tray back so that all water drains into the water reservoir.
3. Move the appliance forward to a place 60mm away from the working table and open the drain plug to drain out excess water (see Fig.4, Fig.5 and Fig.6).
4. Remove the ice basket.
5. Clean the ice maker interior with a soft cloth soaked with warm water and vinegar, rinse with clean water and then drain all the water.
6. Replace the drain plug well in position. Wash the ice basket and ice scoop in warm soapy water. Rinse and dry.
7. Clean the exterior of the ice maker with a soft damp cloth. Use a mild dishwashing soap, if necessary.

NOTE:

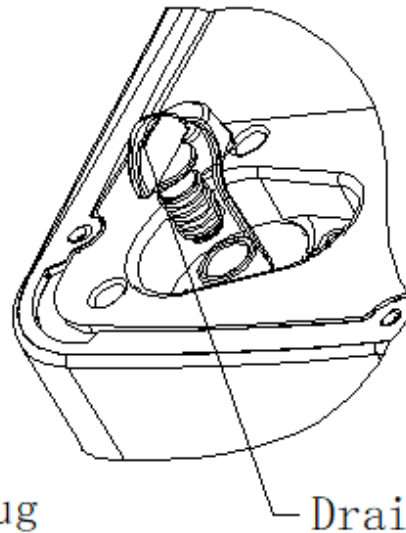
- 1) Do not use organic solvent, boiled water, detergent, strong acid and strong alkali etc. for cleaning.
- 2) Do not clean the evaporator.
8. Empty the water reservoir and dry it for storage if the ice maker is not used for a long time.



(Fig.4)



(Fig.5)



(Fig.6)

TROUBLESHOOTING

Problem	Possible causes	Solution
“ADD WATER” indicator turns on	<ol style="list-style-type: none"> 1. Low water level or lack of water. 2. The water screen at the bottom of water reservoir is blocked. 3. Pump malfunction. 	<ol style="list-style-type: none"> 1. Stop making ice, refill water and then press “ON/OFF” key to restart ice-making cycle. 2. Do cleaning. 3. Send it to the authorized service for repair.

<p>“ICE FULL” indicator lights up</p>	<ol style="list-style-type: none"> 1. Ice basket is full and the infrared light is blocked by the ice. 2. Infrared light-emitting diode & light-receiving diode do not work. 	<ol style="list-style-type: none"> 1. Remove the ice from ice basket. 2a. Wipe unknown objects on the infrared light-emitting diode & light-receiving diode and restart the ice maker. 2b. Call Customer Service if the infrared light-emitting diode & light-receiving diode still cannot work after wiping unknown objects on and restarting the ice maker.
<p>Ice collects together</p>	<p>Making ice takes too much time.</p>	<p>Stop making ice and restart the ice-making cycle after the ice melts.</p>
	<p>The water in the water reservoir is at too low temperature.</p>	<p>Fill the water reservoir with water ranges between 8°C and 25°C.</p>
<p>The ice-making cycle seems normal but no ice is produced</p>	<p>The ambient temperature or water temperature is too high.</p>	<p>Start the ice-making cycle at environment with an ambient temperature less than 32° C and fill the water reservoir with some cold water.</p>
	<p>Refrigerating system leaks.</p>	<p>Call customer service.</p>
	<p>Refrigerating system blocks.</p>	<p>Call customer service.</p>
<p>Poor ice-making result</p>	<ol style="list-style-type: none"> 1.Poor heat dissipation. 2.The water temperature is too high. 3.The ambient temperature is too high. 	<ol style="list-style-type: none"> 1. Leave a 6-inch clearance on all sides of the ice maker for proper ventilation. 2. Fill the water reservoir with water ranges between 8°C and 28°C. 3. Operate the ice maker at a environment with an ambient temperature between 10°C and 32°C.

TECHNICAL PARAMETERS

Model: EM2100

Applicable climate: ST/SN/N/T

Class: I

Power source: 220-240V/50Hz

Rated power: 120W

Refrigerant/Refrigerant amount: R600a/23g

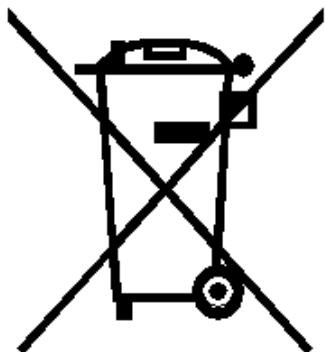
Foaming agent: C₅H₁₀

Net weight: 8.3Kg

Housing: PP

Unit size (D x W x H) : 310*230*325mm

ENVIRONMENT FRIENDLY DISPOSAL



You can help protect the environment!

Please remember to respect the local regulations:

hand in the non-working electrical

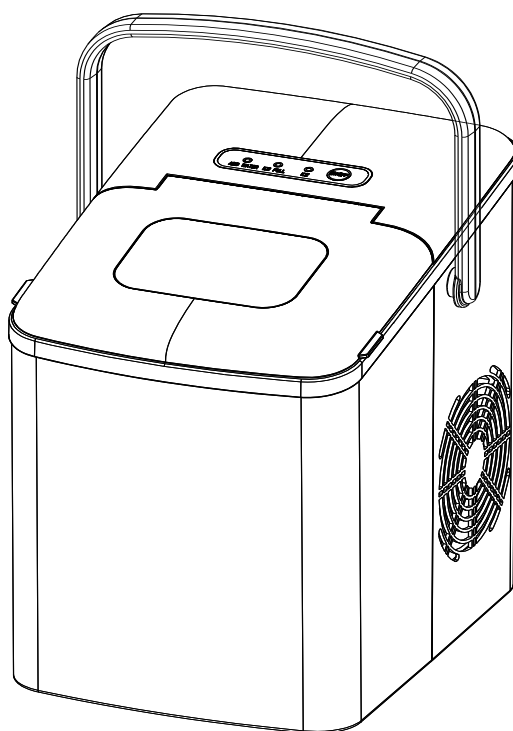
equipment to an appropriate waste disposal centre.



ITA

MACCHINA DEL GHIACCIO

MANUALE DELL'UTENTE



EM2100

Leggere attentamente queste istruzioni prima dell'uso e conservarle per riferimento futuro.

AVVERTENZE IMPORTANTI DI SICUREZZA

Per ridurre il rischio di incendi, esplosioni, scosse elettriche o lesioni durante l'utilizzo della macchina del ghiaccio, seguire queste importanti istruzioni di sicurezza:

1. Assicurarsi che la tensione nella presa sia uguale a quella indicata sulla targhetta di identificazione dell'apparecchio.
2. Non rimuovere etichette di sicurezza, avvertenze o informazioni sul prodotto dalla macchina del ghiaccio.
3. Collegare la macchina del ghiaccio a una presa di corrente con messa a terra. Nessun altro apparecchio deve essere collegato alla stessa presa. Assicurarsi che la spina sia completamente inserita nella presa.
4. Questo apparecchio deve essere collegato a terra. È dotato di un cavo di alimentazione con una spina di messa a terra. La spina deve essere inserita in una presa correttamente installata e messa a terra.
5. Evitare l'uso di una prolunga perché potrebbe surriscaldarsi e causare un rischio di incendio. Tuttavia, se è necessario utilizzare una prolunga:
 - 1) Utilizzare solo prolunghette con spina di messa a terra.
 - 2) La valutazione contrassegnata di una prolunga deve essere uguale o superiore alla valutazione di questo apparecchio.
 - 3) Dovrebbe essere posizionato in modo tale da non drappeggiare sul bancone o sul tavolo dove può essere tirato intenzionalmente dai bambini.
6. Non utilizzare l'apparecchio con un cavo o una spina danneggiati o dopo il malfunzionamento dell'apparecchio o se è stato danneggiato in alcun modo. Rivolgersi al servizio autorizzato più vicino per controllarlo, ripararlo o regolarlo.
7. Se il cavo di alimentazione è danneggiato, deve essere sostituito dal produttore o dal suo agente di servizio o da una persona qualificata per evitare rischi.
8. Per gli apparecchi che utilizzano gas infiammabili isolanti, le istruzioni devono contenere informazioni sullo smaltimento dell'apparecchio.
9. Non lasciare che il cavo penda dal bordo del tavolo o del bancone.
10. Non posizionarlo sopra o vicino a un fornello a gas caldo o elettrico o in un forno riscaldato.
11. Collocare il cavo di alimentazione in modo tale che non possa essere attaccato dai bambini o causare un rischio di inciampo.
12. Collocare il cavo di alimentazione in modo tale che non sia a contatto con superfici calde.
13. L'uso di accessori non raccomandati o venduti dal produttore può causare incendi, scosse elettriche o lesioni.
14. Non toccare l'evaporatore quando si utilizza la macchina del ghiaccio o si produce ghiaccio per evitare di soffrire di congelamento.
15. Non immergere nessuna parte del prodotto in acqua.
16. Per disconnettere la macchina del ghiaccio, ruotare qualsiasi controllo su "OFF", quindi rimuovere la spina dalla presa a muro.
17. Non collegare o scollegare il prodotto con le mani bagnate.
18. Scollegare il prodotto prima di pulirlo, mantenerlo e quando non viene utilizzato.
19. Non utilizzare con acqua microbiologicamente non sicura o di qualità sconosciuta.
20. Non pulire la macchina del ghiaccio con liquidi infiammabili. I fumi possono creare

pericolo di incendio o esplosione.

21. Non ribaltare la macchina del ghiaccio. Se la macchina del ghiaccio viene capovolta accidentalmente, farla riposare in modo stabile per 2 ore prima di riaccenderla.

22. Se la macchina del ghiaccio viene portata dall'esterno in inverno, non utilizzarla per alcune ore, consentendo all'unità di riscaldarsi alla temperatura ambiente prima di funzionare.

23. Non mettere mai articoli infiammabili, esplosivi e corrosivi nella macchina del ghiaccio.

24. Non usare mai la macchina del ghiaccio in presenza di perdite di gas infiammabili.

25. Non conservare o usare mai gas e altri articoli infiammabili vicino alla macchina del ghiaccio per evitare incendi.

26. Scollegare la macchina del ghiaccio prima di spostarla per evitare di danneggiare il sistema di refrigerazione.

27. Non tentare di smontare, riparare, modificare o sostituire qualsiasi parte del prodotto.

28. I bambini non devono giocare con l'apparecchio.

29. L'apparecchio può essere utilizzato da bambini a partire da 8 anni di età e da persone con ridotte capacità fisiche, sensoriali o mentali o mancanza di esperienza e conoscenza quando questi sono stati supervisionati o informati in merito all'uso sicuro del dispositivo e capiscono i rischi che ne derivano.

30. La pulizia e la manutenzione dell'utente non devono essere eseguite da bambini senza supervisione.

31. È necessaria una stretta supervisione quando l'apparecchio viene utilizzato da o vicino a bambini.

32. Non lasciare l'apparecchio incustodito durante l'uso.

33. Non usare all'aperto.

34. Non utilizzare l'apparecchio per usi diversi da quelli previsti.

35. Smaltire la macchina del ghiaccio in base alle normative locali relative allo smaltimento dell'apparecchio per gas infiammabile e refrigerante.

36. AVVERTENZA: riempire solo con acqua potabile.

37. AVVERTENZA: mantenere le aperture di ventilazione, nella custodia dell'apparecchio o nella struttura incorporata, lontano da ostruzioni.

38. AVVERTENZA: non utilizzare dispositivi meccanici o altri mezzi per accelerare il processo di scongelamento, diversi da quelli raccomandati dal produttore.

39. AVVERTENZA: non danneggiare il circuito del refrigerante.

40. AVVERTENZA: non utilizzare apparecchi elettrici all'interno dei vani di conservazione degli alimenti, a meno che non siano del tipo raccomandato dal produttore.

41. Non conservare sostanze esplosive come bombolette spray con un propellente infiammabile in questo apparecchio.



42. Avvertenza: rischio di incendio / materiali infiammabili.

43. AVVERTENZA: quando si posiziona l'apparecchio, assicurarsi che il cavo di alimentazione non sia intrappolato o danneggiato.

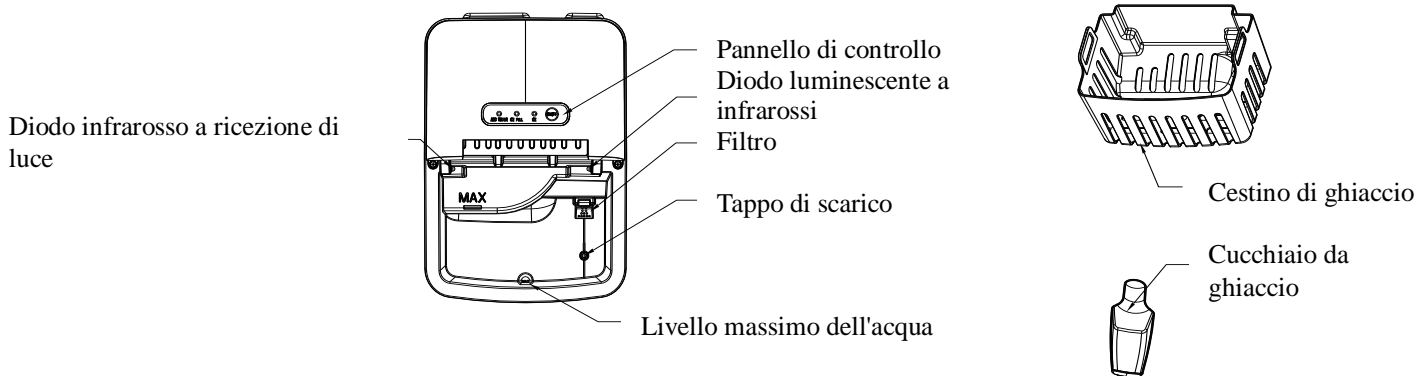
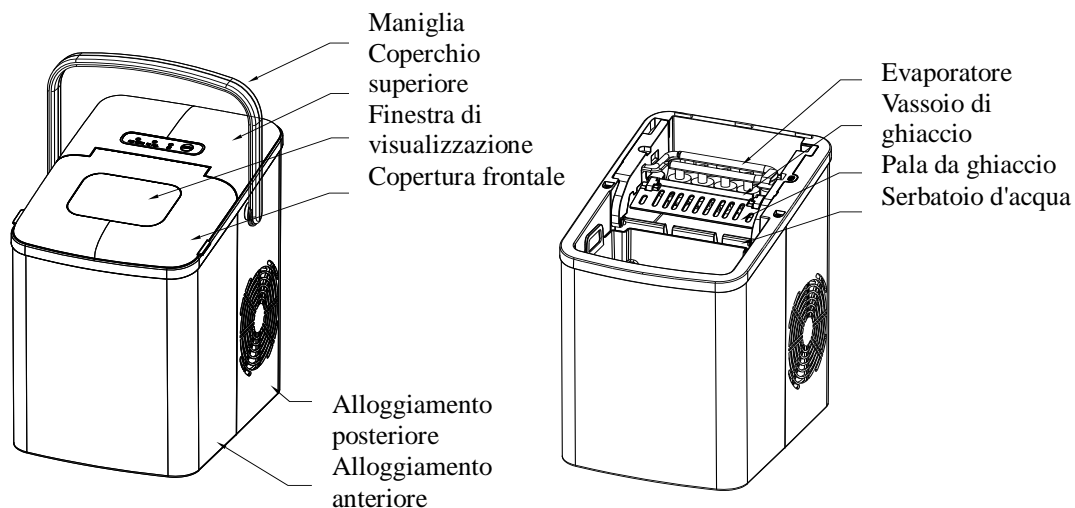
44. AVVERTENZA: non individuare più prese portatili o alimentatori portatili sul retro dell'apparecchio.

45. Questo apparecchio è destinato all'uso domestico e applicazioni simili come:

- Aree di cucina per il personale in negozi, uffici e altri ambienti di lavoro;

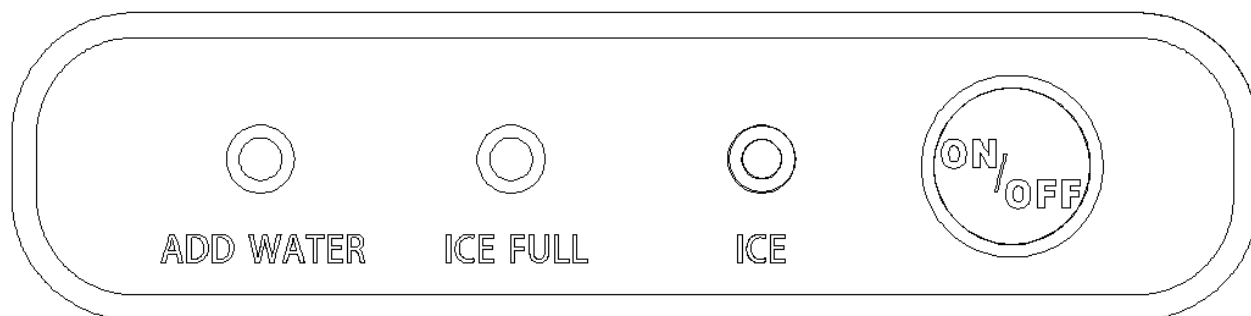
- Case coloniche;
 - In hotel, motel e altri ambienti residenziali;
 - Ambienti di tipo bed and breakfast
 - Approvvigionamento e simili applicazioni non al dettaglio.
46. Salvare queste istruzioni.

CONOSCERE LA SUA MACCHINA DEL GHIACCIO



(Il prodotto può essere soggetto a modifiche senza preavviso)

PANNELLO DI CONTROLLO



Tasto (con indicatore)	Funzione
ON/OFF	Avviare o arrestare l'apparecchio; Pressione lunga del tasto per la pulizia;
ICE	Modalità standby: l'indicatore "ICE" lampeggia; Condizioni di pulizia: l'indicatore "ICE" lampeggia più velocemente; Condizioni di lavoro: l'indicatore "ICE" si accende fisso.
ICE FULL	L'indicatore "ICE FULL" si illumina quando il cestello del ghiaccio è pieno.
ADD WATER	L'indicatore "ADD WATER" si illumina quando il serbatoio dell'acqua è privo di acqua.

PRIMA DEL PRIMO UTILIZZO

1. Disimballare l'apparecchio, quindi verificare e accertarsi che tutti gli accessori, inclusi cestello del ghiaccio e paletta per il ghiaccio, ecc. siano completi. Si prega di contattare il servizio clienti se mancano alcuni accessori.
2. Seguire l'operazione come di seguito per installare la maniglia in posizione.
 - 1) Afferrare entrambi i lati della maniglia mostrati nelle frecce con le mani e tirarli verso l'esterno (vedere Fig.1).
 - 2) Allineare la maniglia con i fori sulla custodia e rilasciare le mani, quindi la maniglia viene inserita nei fori dell'alloggiamento. (vedere Fig.2).
 - 3) Tirare e rendere la maniglia in posizione verticale, quindi tirare entrambi i lati della maniglia verso l'esterno seguendo l'operazione del Passaggio 1). Controllare e assicurarsi che la maniglia sia posizionata bene nei fori dell'alloggiamento.

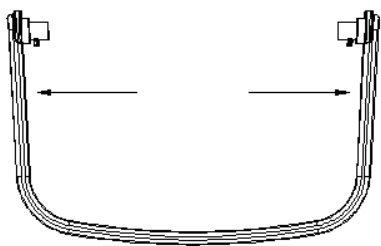


Fig.1

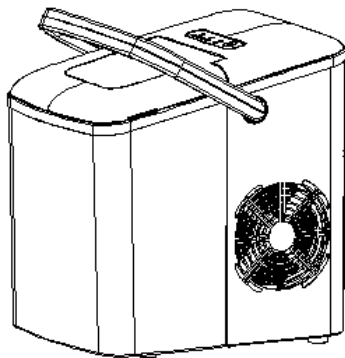


Fig.2

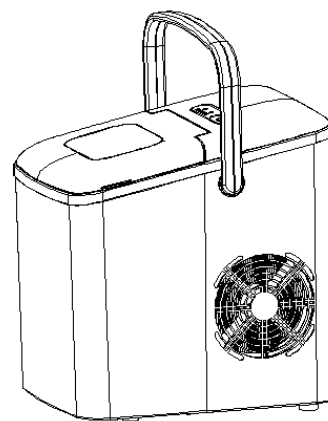


Fig.3

4) Afferrare il centro dell'impugnatura e sollevarlo verso l'alto (vedere la Figura 3), verificare e assicurarsi che non vi siano condizioni anomale.

3. Assicurarsi che la macchina del ghiaccio sia livellata e su un tavolo o una piattaforma stabili per evitare malfunzionamenti.

4. L'angolo di inclinazione dell'alloggiamento della macchina del ghiaccio non deve superare i 45 ° durante il trasporto o l'uso. Non capovolgere la macchina del ghiaccio. Ciò potrebbe causare il malfunzionamento del compressore o del sistema di refrigerazione. Attendere che i liquidi nel compressore si stabilizzino dopo lo spostamento o il trasporto della macchina del ghiaccio. Prima di utilizzare la macchina del ghiaccio per la prima volta, attendere 2 ore dopo che l'unità è stata livellata e posizionata nella posizione corretta.

5. L'apparecchio deve essere posizionato su una superficie asciutta e piana con sufficiente ventilazione, lontano da fonti di calore come forni, stufe e gas corrosivi. Lasciare uno spazio di circa 15 cm su tutti i lati della macchina del ghiaccio per una corretta ventilazione.

6. Non riempire il serbatoio dell'acqua con acqua calda. Ciò potrebbe danneggiare la macchina del ghiaccio. È meglio riempire il serbatoio dell'acqua con acqua a temperatura ambiente o inferiore.

7. Non utilizzare l'apparecchio in un ambiente molto freddo (inferiore a 5°C).

8. Pulire l'apparecchio seguendo le operazioni di “**PULIZIA E MANUTENZIONE**” prima di metterlo in funzione.

USARE LA SUA MACCHINA DEL GHIACCIO

1. Accertarsi che il tappo di scarico sul fondo del serbatoio dell'acqua sia chiuso bene.

2. Collegare la macchina del ghiaccio alla presa a muro, l'indicatore “ICE” lampeggia.

NOTA: fare riposare la macchina del ghiaccio per 30 minuti prima di collegare la spina se è stata spostata.

3. Aprire il coperchio superiore e rimuovere il cestello del ghiaccio.

4. Riempire il serbatoio dell'acqua con acqua potabile.

NOTA: non riempire oltre il segno del livello massimo dell'acqua.

5. Riposizionare il cestello del ghiaccio e chiudere il coperchio superiore.

6. Premere il tasto “ON / OFF” e l'indicatore “ICE” si accende fisso.

7. Il ciclo di produzione del ghiaccio durerà circa 7-15 minuti, a seconda della temperatura ambiente e della temperatura dell'acqua.

8. Il ciclo di produzione del ghiaccio inizia con l'acqua che viene pompata nel cestello del ghiaccio situato sotto l'evaporatore. Nei successivi 7-15 minuti si forma ghiaccio sull'evaporatore. Al termine, il cestello del ghiaccio si inclina all'indietro e l'acqua rimanente nel cestello del ghiaccio viene nuovamente scaricata nel serbatoio dell'acqua. I cubetti di ghiaccio vengono quindi fatti cadere dall'evaporatore e spinti in avanti nel cestello di ghiaccio dalla pala di ghiaccio. Il cestello del ghiaccio tornerà automaticamente in posizione sotto l'evaporatore e inizierà il ciclo successivo.

9. L'indicatore “ICE FULL” si illuminerà quando il cestello del ghiaccio è pieno e quindi la macchina del ghiaccio interromperà automaticamente il ciclo di produzione del ghiaccio. Rimuovere delicatamente il ghiaccio dal cestello con la pala. Circa 7,5 secondi dopo, la macchina del ghiaccio riavvierà automaticamente la sua funzione di produzione del ghiaccio.

10. L'indicatore “ADD WATER” si illuminerà quando il serbatoio dell'acqua è privo di acqua e il ciclo di produzione del ghiaccio si interromperà automaticamente. A quel punto, rimuovere il cestello del ghiaccio e aggiungere acqua al serbatoio dell'acqua, quindi premere nuovamente il tasto “ON / OFF” per riavviare il ciclo di produzione del ghiaccio. L'apparecchio inizia a funzionare automaticamente dopo circa 20 minuti se l'operatore dimentica di riavviare l'apparecchio dopo il riempimento.

11. Una volta ottenuta la quantità di ghiaccio desiderata, interrompere il ciclo di produzione del ghiaccio premendo il tasto “ON / OFF” e scollegare l'unità dalla presa a muro.

12. Aprire il coperchio superiore e trasferire il ghiaccio in un congelatore.

13. Consentire alla macchina del ghiaccio di raggiungere la temperatura ambiente.

14. Sugeriamo di sostituire l'acqua ogni settimana. Svuotare il serbatoio dell'acqua se la macchina del ghiaccio non viene utilizzata per un lungo periodo.

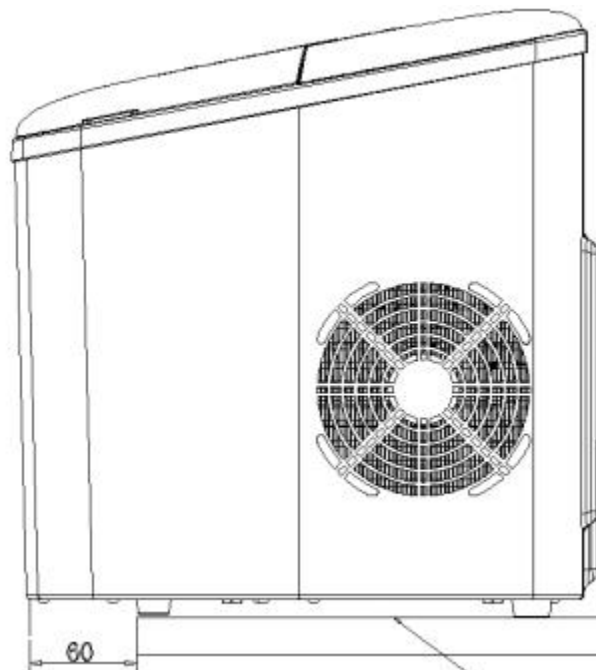
PULIZIA E MANUTENZIONE

Per mantenere fresco il tuo gusto del ghiaccio e far lavorare la Sua macchina del ghiaccio benissimo, Le consigliamo di pulirlo una volta alla settimana.

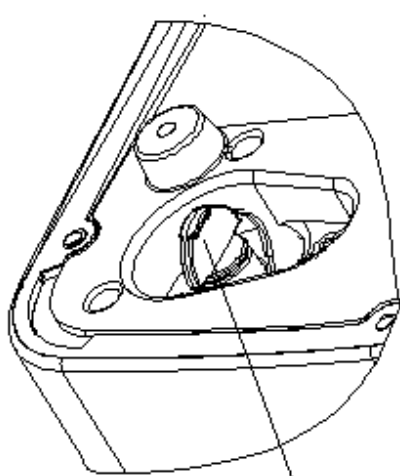
1. Arrestare il ciclo di produzione del ghiaccio premendo il tasto “ON / OFF”, scollegare la macchina del ghiaccio dalla presa a muro e lasciarla riscaldare a temperatura ambiente.
2. Se viene rilevata acqua residua nel cestello del ghiaccio, spingere delicatamente il cestello del ghiaccio in modo che tutta l'acqua defluisca nel serbatoio dell'acqua.
3. Spostare l'apparecchio in un punto a 60 mm dal tavolo di lavoro e aprire il tappo di scarico per scaricare l'acqua in eccesso (vedere Fig.4, Fig.5 e Fig.6).
4. Rimuovere il cestello del ghiaccio.
5. Pulire l'interno della macchina del ghiaccio con un panno morbido immersa in acqua calda e aceto, quindi sciacquare con acqua pulita e quindi scaricare tutta l'acqua.
6. Sostituire bene il tappo di scarico in posizione. Lavare il cestello del ghiaccio e la paletta con acqua calda e sapone. Risciacquare e asciugare
7. Pulire l'esterno della macchina del ghiaccio con un panno morbido inumidito. Utilizzare un detergente per piatti delicato, se necessario.

NOTA:

- 1) Non utilizzare solventi organici, acqua bollita, detersivi, acidi forti e alcali forti ecc. per la pulizia.
- 2) Non pulire l'evaporatore.
8. Svuotare il serbatoio dell'acqua e asciugarlo per la conservazione se la macchina del ghiaccio non viene utilizzata per un lungo periodo.

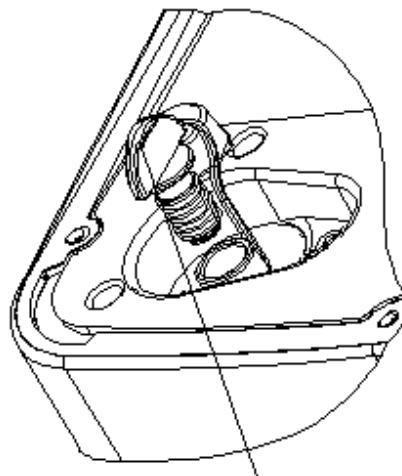


(Fig.4) Superficie lavorativa



Tappo di scarico

(Fig.5)



Tappo di scarico

(Fig.6)

RISOLUZIONE DEI PROBLEMI

Problema	Possibile causa	Soluzione
L'indicatore "ADD WATER" si accende	<ol style="list-style-type: none"> 1. Basso livello dell'acqua o mancanza di acqua 2. Lo schermo dell'acqua sul fondo del serbatoio dell'acqua è bloccato. 3. Malfunzionamento della pompa. 	<ol style="list-style-type: none"> 1. Interrompere la produzione di ghiaccio, riempire con l'acqua e quindi premere il tasto "ON / OFF" per riavviare il ciclo di produzione del ghiaccio. 2. Pulire l'apparecchio.

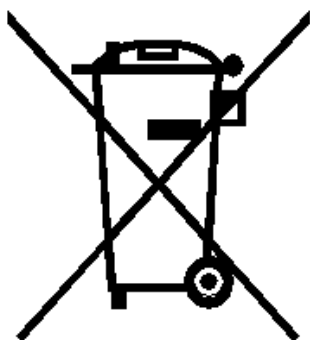
		3. Portarlo al dipartimento autorizzato per la riparazione.
“ICE FULL” indicatore si illumina	1. Il cestello del ghiaccio è pieno e la luce infrarossa è bloccata dal ghiaccio. 2. Il diodo a infrarossi a emissione di luce e il diodo a ricezione di luce non funzionano	1. Togliere il ghiaccio dal cestello di ghiaccio 2a. Pulire gli oggetti estranei sul diodo a emissione di luce a infrarossi e sul diodo a ricezione di luce e riavviare la macchina del ghiaccio. 2b. Contattare l'assistenza clienti se il diodo a infrarossi a emissione di luce e il diodo a ricezione di luce non riescono ancora a funzionare dopo aver pulito gli oggetti estranei su di essi e aver riavviato la macchina del ghiaccio.
I cubetti di ghiaccio sono attaccati tra loro.	Produzione del ghiaccio richiede troppo tempo.	Smettere con la produzione del ghiaccio e riavviare il ciclo di produzione del ghiaccio dopo che il ghiaccio si è sciolto.
	L'acqua nel serbatoio dell'acqua ha una temperatura troppo bassa.	Riempire il serbatoio dell'acqua con temperatura dell'acqua compresa 8 °C e 25 °C.
Il ciclo di produzione del ghiaccio funziona regolarmente ma non viene prodotto ghiaccio.	La temperatura ambiente o dell'acqua è troppo alta.	Avviare il ciclo di produzione del ghiaccio in un ambiente con una temperatura inferiore a 32 °C e riempire il serbatoio dell'acqua con acqua fredda.
	Perdite nel sistema di refrigerazione	Chiamare il servizio clienti
	Blocchi del sistema di refrigerazione	Chiamare il servizio clienti

<p>Poor ice-making result</p>	<ol style="list-style-type: none"> 1. Scarsa dissipazione del calore. 2. La temperatura dell'acqua è troppo alta. 3. La temperatura ambiente è troppo alta. 	<ol style="list-style-type: none"> 1. Lasciare uno spazio di 6 pollici su tutti i lati della macchina del ghiaccio per una corretta ventilazione. 2. Riempire il serbatoio dell'acqua con temperatura dell'acqua compresa tra 8 °C e 28 °C. 3. Usare la macchina del ghiaccio in un ambiente con una temperatura ambiente compresa tra 10 °C e 32 °C.
-------------------------------	--	--

CARATTERISTICHE TECNICHE

Modello:	EM2100
Classe climatica:	ST/SN/N/T
Classe:	I
Tensione :	220-240V/50Hz
Potenza:	120W
Liquido Refrigerante /Quantità:	R600a/23g
Agente schiumante:	C ₅ H ₁₀
Peso netto:	8.3Kg
Alloggiamento:	PP
Dimensioni (LxIxH):	310*230*325mm

SMALTIMENTO CORRETTO DEL PRODOTTO



Puoi aiutare a proteggere l'ambiente!
 Ricordarsi di rispettare le normative locali:
 consegnare le apparecchiature elettriche non
 funzionanti a un centro di smaltimento rifiuti
 appropriato.

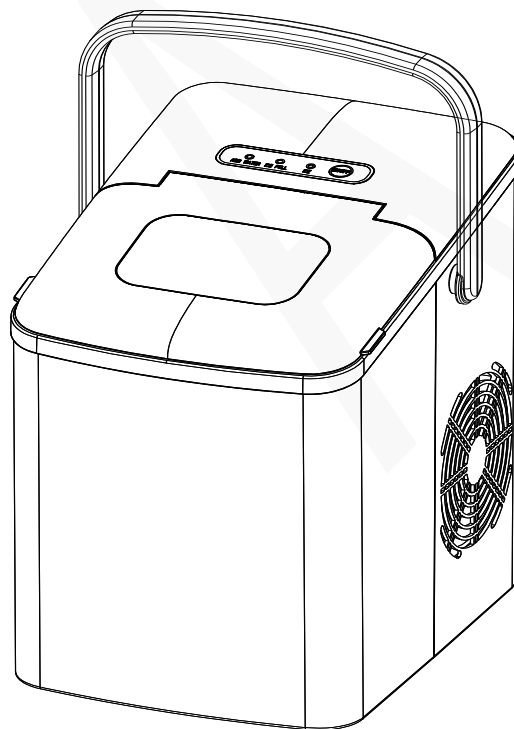


VOX
ELECTRONICS

DEU

EISWÜRFELMASCHINE

BEDIENUNGSANLEITUNG



EM2100

Lesen Sie diese Bedienungsanleitung sorgfältig durch und bewahren Sie sie für die weitere Nutzung auf

WICHTIGE SICHERHEITSHINWEISE

Bei der Verwendung von der Eiswürfelmaschine sollten immer grundlegende Sicherheitsmaßnahmen befolgt werden, um die Gefahr von Feuer, Stromschlag, Verletzungen zu reduzieren, einschließlich der folgenden:

1. Prüfen Sie vor dem Gebrauch immer, ob die Netzspannung der Steckdose der des Geräts entspricht.
2. Entfernen Sie keine Sicherheits-, Warn- oder Produktinformationen von der Eiswürfelmaschine.
3. Schließen Sie die Eiswürfelmaschine ausschließlich an eine geerdete Steckdose an. Es darf kein anderes Gerät an dieselbe Steckdose angeschlossen werden. Stellen Sie sicher, dass der Stecker vollständig in die Steckdose eingesteckt ist.
4. Dieses Gerät muss geerdet sein. Es ist mit einem Netzkabel mit Erdungsstecker ausgestattet. Der Stecker muss in eine ordnungsgemäß installierte und geerdete Steckdose eingesteckt werden.
5. Vermeiden Sie die Verwendung eines Verlängerungskabels, da dieses überhitzen und ein Brandrisiko darstellen kann. Wenn jedoch ein Verlängerungskabel erforderlich ist:
 - 1) Verwenden Sie nur Verlängerungskabel mit Erdungsstecker.
 - 2) Die angegebene Leistung eines Verlängerungskabels muss mindestens der Leistung dieses Geräts entsprechen.
 - 3) Es sollte so positioniert werden, dass es nicht über der Theke oder der Tischplatte hängt, wo es von Kindern absichtlich angezogen werden kann.
6. Benutzen Sie das Gerät niemals nach einer Fehlfunktion, wenn das Netzkabel bzw. der Netzstecker defekt ist oder wenn es auf eine andere Weise beschädigt wurde. Um Gefährdungen zu vermeiden dürfen Reparaturen am Gerät nur durch einen autorisierten Kundendienst vorgenommen werden.
7. Wenn das Netzstromkabel beschädigt ist, muss es vom Hersteller, dem Kundendienst oder einer in ähnlicher Weise qualifizierten Person ersetzt werden, um Sach- und/oder Personenschäden zu vermeiden.
8. Bei Geräten, die brennbare Isoliergase verwenden, müssen die Anweisungen die Informationen zur Entsorgung des Geräts enthalten

9. Lassen Sie das Kabel nicht über die Kante des Tisches oder der Theke hängen.
10. Stellen Sie das Gerät nie auf oder in der Nähe von heißen Oberflächen ab (z.B. Herdplatten etc.)
11. Das Netzkabel darf nicht vom Rand der Fläche hängen, auf der die Fritteuse steht. Kinder könnten am herunter hängenden Kabel ziehen oder es könnte den Benutzer stören.
12. Halten Sie den Netzstecker und das Netzkabel von offenem Feuer und heißen Flächen fern.
13. Die Verwendung von Zubehörteilen, die nicht vom Hersteller des Geräts empfohlen werden, kann zu Verletzungen führen.
14. Berühren Sie den Verdampfer nicht, wenn Sie die Eiswürfelmaschine verwenden oder Eis herstellen, um Erfrierungen zu vermeiden
15. Tauchen Sie kein Geräteteil in Wasser oder andere Flüssigkeiten.
16. Um das Gerät auszuschalten, stellen Sie einen der Regler auf „OFF“ und ziehen Sie den Stecker aus der Steckdose.
17. Das Gerät nicht mit feuchten Händen ein- oder ausstecken.
18. Ziehen Sie den Stecker aus der Steckdose, wenn Sie das Gerät nicht benutzen und bevor Sie es reinigen.
19. Nicht mit Wasser verwenden, das mikrobiologisch unsicher oder von unbekannter Qualität ist.
20. Reinigen Sie das Gerät nicht mit brennbaren Flüssigkeiten. Die Dämpfe können eine Brandgefahr oder eine Explosion verursachen.
21. Kippen Sie die Eiswürfelmaschine nicht um. Wenn die Eiswürfelmaschine versehentlich umgeworfen wird, lassen Sie sie zwei Stunden lang ruhig stehen, bevor Sie sie wieder einschalten.
22. Wenn Sie die Eiswürfelmaschine im Winter von außen holen, verwenden Sie sie nicht einige Stunden lang. Lassen Sie das Gerät vor dem Betrieb auf Raumtemperatur erwärmen.
23. Niemals brennbare, explosive oder ätzende Gegenstände in die Eiswürfelmaschine geben.
24. Verwenden Sie die Eiswürfelmaschine niemals, wenn brennbares Gas austritt.
25. Lagern oder verwenden Sie niemals Gas oder andere brennbare Gegenstände in der

Nähe der Eismaschine, um Brände zu vermeiden.

26. Ziehen Sie den Netzstecker aus der Steckdose, bevor Sie die Eiswürfelmaschine bewegen, um das Kühlsystem nicht zu beschädigen.

27. Versuchen Sie nicht, Geräteteile zu zerlegen, zu reparieren, zu modifizieren oder zu ersetzen.

28. Die Kinder dürfen nicht mit dem Gerät spielen.

29. Dieses Gerät kann von Kindern ab 8 Jahren sowie von Personen mit reduzierten physischen, sensorischen oder geistigen Fähigkeiten oder Mangel an Erfahrung und/oder Wissen benutzt zu werden, wenn sie beaufsichtigt oder bezüglich des sicheren Gebrauchs des Gerätes unterwiesen wurden und die daraus resultierenden Gefahren verstanden haben.

30. Reinigung und Benutzerwartung dürfen nicht durch Kinder durchgeführt werden, es sei denn, sie sind älter als 8 Jahre und werden beaufsichtigt.

31. Lassen Sie das Gerät nicht unbeaufsichtigt, wenn es von oder in der Nähe von Kindern verwendet wird.

32. Lassen Sie das Gerät während des Betriebs niemals unbeaufsichtigt.

33. Benutzen Sie das Gerät nicht im Freien.

34. Benutzen Sie das Gerät nur für den vorgesehenen Zweck.

35. Entsorgen Sie die Eismaschine gemäß den örtlichen Vorschriften zur Entsorgung des Geräts, weil brennbares Treibgas und Kältemittel verwendet werden.

36. WARNUNG: Nur Trinkwasser einfüllen.

37. WARNUNG: Halten Sie die Lüftungsöffnungen im Gerätegehäuse oder in der eingebauten Struktur frei von Hindernissen.

38. WARNUNG: Verwenden Sie keine anderen mechanischen Geräte oder andere Mittel, um den Abtauprozess zu beschleunigen, als die vom Hersteller empfohlenen.

39. WARNUNG: Den Kältemittelkreislauf nicht beschädigen.

40. WARNUNG: Verwenden Sie keine elektrischen Geräte in den Lebensmittelaufbewahrungsfächern des Geräts, es sei denn, diese entsprechen den Empfehlungen des Herstellers.

41. Lagern Sie in diesem Gerät keine explosiven Substanzen wie Aerosoldosen mit einem brennbaren Treibmittel.



42. **Warnung:** Brandgefahr / brennbare Materialien.

43. **WARNUNG:** Stellen Sie beim Aufstellen des Geräts sicher, dass das Netzkabel nicht eingeklemmt oder beschädigt ist.

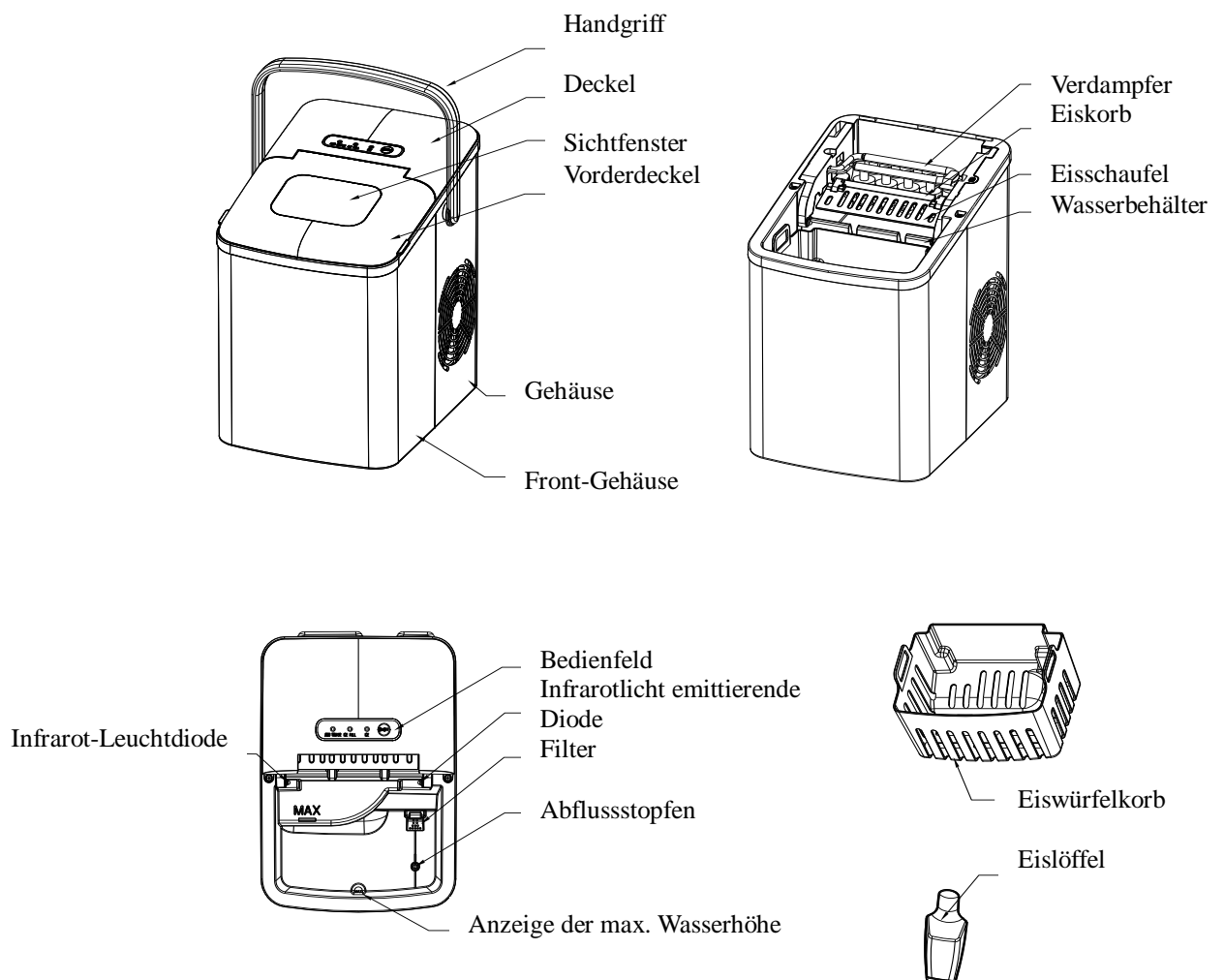
44. **WARNUNG:** Suchen Sie nicht mehrere tragbare Steckdosen oder tragbare Netzteile auf der Rückseite des Geräts

45. Dieses Gerät ist für den Gebrauch im Haushalt und ähnlichen Anwendungen bestimmt, z.B.

- Küchen in Geschäften, Büros und anderen Arbeitsumgebungen;
- Bauernhäuser und in Hotels, Motels und anderen Unterkünften;
- Bed & Breakfast-Unterkünfte

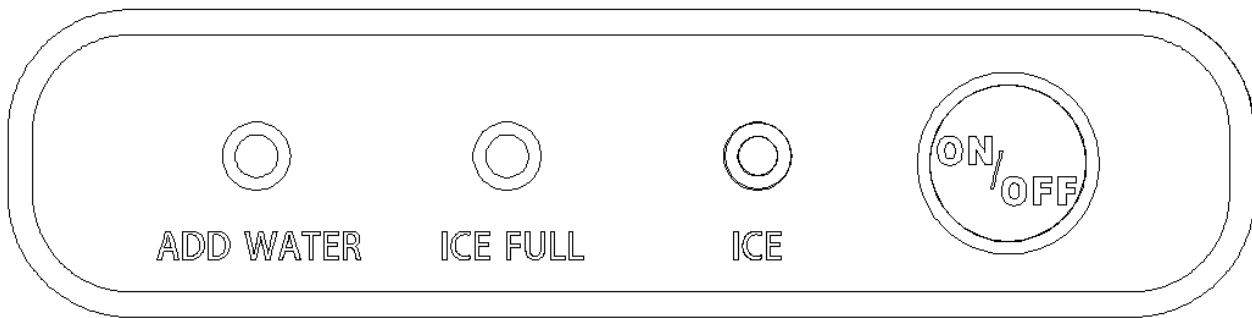
46. Bewahren Sie diese Anweisungen auf.

LERNEN SIE DIE EISWÜRFELMASCHINE KENNEN



(Das Produkt kann ohne vorherige Ankündigung geändert werden)

BEDIENFELD



Taste (mit Anzeige)	Funktion
ON/OFF	das Gerät ein- oder ausschalten ; lang drücken zum Reinigen ;
ICE	Standby-Modus: die Anzeige „ICE“ blinkt. Reinigungszustand: die Anzeige „ICE“ blinkt schneller ; Betriebsbedingung: die Anzeige „ICE“ leuchtet dauerhaft.
ICE FULL	“ICE FULL”- Anzeige leuchtet, wenn der Eiswürfelkorb voll ist.
ADD WATER	“ADD WATER”- Anzeige leuchtet, wenn im Wasserbehälter kein Wasser mehr vorhanden ist.

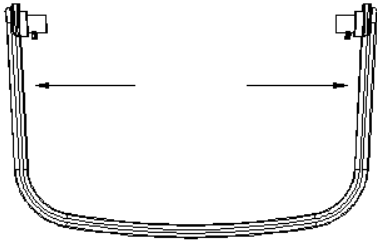


Abb.1

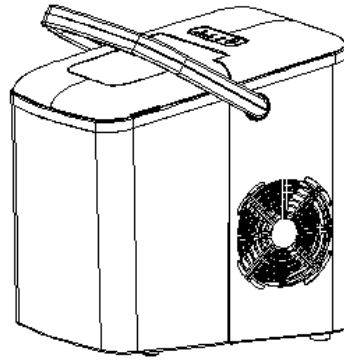


Abb.2

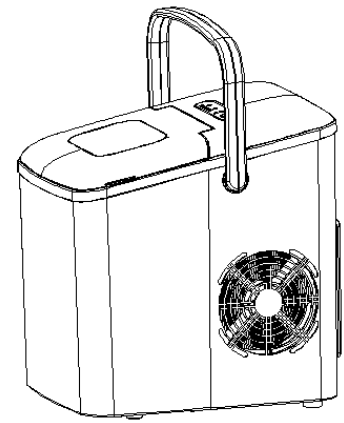


Abb.3

VOR DEM ERSTEN GEBRAUCH

1. Packen Sie das Gerät aus und stellen Sie sicher, dass alle Zubehörteile, einschließlich Eiswürfelkorb, Eislöffel usw., da sind. Wenden Sie sich bitte an den Kundendienst, wenn Zubehörteile fehlen.
2. Befolgen Sie die folgenden Schritte, um den Handgriff in die richtige Position zu stellen.
 - 1) Fassen Sie beide Seiten des mit Pfeilen gezeigten Griffs mit den Händen und ziehen Sie sie nach außen (siehe Abb.1).
 - 2) Richten Sie den Griff mit den Löchern am Gehäuse aus und lassen Sie die Hände los. Führen Sie dann den Griff in die Löcher des Gehäuses ein (siehe Abb. 2).
 - 3) Ziehen und stellen Sie den Griff aufrecht und ziehen Sie dann beide Seiten des Griffs nach außen, indem Sie Schritt 1) ausführen. Prüfen und sicherstellen, dass der Griff gut an den Löchern des Gehäuses positioniert ist.
 - 4) Halten Sie den Griff in der Mitte und heben Sie ihn nach oben (siehe Abb. 3).
3. Stellen Sie die Eismaschine waagrecht und auf einen stabilen Tisch oder einer stabilen Theke, um Fehlfunktionen zu vermeiden.
4. Der Neigungswinkel des Eismaschinengehäuses sollte während des Transports oder der Verwendung 45° nicht überschreiten. Stellen Sie die Eismaschine nicht auf den Kopf. Dies könnte dazu führen, dass der Kompressor oder die Kälteanlage nicht richtig funktionieren. Warten Sie, bis die Flüssigkeiten sich im Kompressor gesetzt haben, nachdem die Eismaschine bewegt oder transportiert wurde. Warten Sie bitte vor dem ersten Gebrauch der Eismaschine zwei Stunden, nachdem das Gerät waagrecht ausgerichtet und an der richtigen Stelle aufgestellt worden ist.

5. Das Gerät muss auf einer trockenen und ebenen Fläche mit ausreichender Belüftung, entfernt von Wärmequellen wie Öfen, Heizkörpern und ätzenden Gasen aufgestellt werden. Lassen Sie an allen Seiten der Eiswürfelmaschine einen Abstand von ca. 15 cm, um eine ausreichende Belüftung zu gewährleisten.
6. Füllen Sie den Wasserbehälter nicht mit heißem Wasser. Dies kann die Eismaschine beschädigen. Füllen Sie den Wasserbehälter am besten mit Wasser mit Raumtemperatur oder niedriger.
7. Verwenden Sie das Gerät nicht in einer sehr kalten Umgebung (unter 5 ° C).
8. Reinigen Sie das Gerät vor dem Gebrauch, wie in „REINIGUNG UND WARTUNG“ beschrieben ist.

BEDIENUNG

1. Stellen Sie sicher, dass der Abflusstopfen am Boden des Wasserbehälters gut geschlossen ist.
2. Schließen Sie die Eiswürfelmaschine an eine Steckdose an. Die Anzeige „ICE“ leuchtet.

HINWEIS: Lassen Sie die Eismaschine 30 Minuten ruhen, bevor Sie sie einschalten, wenn sie vorher bewegt wurde.

3. Öffnen Sie den Deckel und entfernen Sie den Eiswürfelkorb.
4. Füllen Sie den Wasserbehälter mit Trinkwasser.

HINWEIS: Füllen Sie nicht über die Anzeige der max. Wasserhöhe .

5. Setzen Sie den Eiswürfelkorb wieder ein und schließen Sie den Deckel.
6. Drücken Sie die Taste „ON / OFF“ und die Anzeige „ICE“ leuchtet dauerhaft.
7. Der Eisbereitungszyklus dauert je nach Umgebungstemperatur und Wassertemperatur ca. 7-15 Minuten.
8. Der Eisherstellungszyklus beginnt damit, dass Wasser in die Eiswanne unter dem Verdampfer gepumpt wird. In den nächsten 7-15 Minuten bildet sich am Verdampfer Eis. Sobald dies abgeschlossen ist, kippt die Eiskorb nach hinten und das verbleibende Wasser wird zurück in den Wasserbehälter abgelassen. Die Eiswürfel fallen dann aus dem Verdampfer und werden von der Eisschaufel in den Eiskorb geschoben. Der Eiswürfelkorb geht automatisch wieder unter den Verdampfer und startet den nächsten

Zyklus.

9. Die Anzeige "ICE FULL" leuchtet, wenn der Eiskorb voll ist, und die Eiswürfelmaschine stoppt den Eisbereitungszyklus automatisch. Entfernen Sie das Eis vorsichtig mit der Eisschaufel aus dem Eiskorb. Etwa 7,5 Sekunden später startet der Eiswürfelmaschine die Eisherstellungsfunktion automatisch neu.

10. Die Anzeige „ADD WATER“ (Wasser hinzufügen) leuchtet, wenn der Wasserbehälter nicht genügend Wasser enthält und der Eisherstellungszyklus automatisch beendet wird. Nehmen Sie in diesem Fall den Eiskorb heraus und füllen Sie Wasser in den Wasserbehälter. Drücken Sie dann erneut die Taste „ON / OFF“, um den Eisherstellungszyklus erneut zu starten. Das Gerät startet nach ca. 20 Minuten automatisch, wenn der Bediener vergisst, das Gerät nach dem Nachfüllen neu zu starten.

11. Wenn Sie die gewünschte Eismenge erhalten haben, beenden Sie den Eisbereitungszyklus, indem Sie die Taste „ON / OFF“ drücken und den Netzstecker aus der Steckdose ziehen.

12. Öffnen Sie den Deckel und legen Sie das Eis in einen Gefrierschrank.

13. Lassen Sie die Eismaschine auf Raumtemperatur kommen.

14. Es wird empfohlen, das Wasser wöchentlich zu wechseln. Bitte leeren Sie den Wasserbehälter, wenn die Eiswürfelmaschine längere Zeit nicht benutzt wird.

REINIGUNG UND WARTUNG

Damit das Eis frisch schmeckt und Ihre Eiswürfelmaschine gut aussieht, empfehlen wir, die Eiswürfelmaschine einmal pro Woche zu reinigen.

Beenden Sie den Gefriervorgang indem Sie die „ON/OFF“-Taste drücken ; das Gerät von der Stromversorgung trennen und abkühlen lassen.

Wenn sich Restwasser im Eiswürfelbehälter befindet, schieben Sie den Eiswürfelbehälter vorsichtig zurück, damit das gesamte Wasser in den Wasserbehälter abläuft.

Stellen Sie das Gerät 60 mm vom Arbeitstisch entfernt auf und nutzen Sie die Ablassschraube, um überflüssiges Wasser aus dem Wasservorratsbehälter abzulassen (siehe Abb.4, Abb5 und Abb6).

Entnehmen Sie den Eiswürfelbehälter

Benutzen Sie eine verdünnte Lösung aus Wasser und Essig, um die Innenfläche der

Eiswürfelmaschine zu reinigen. Trocknen Sie innere Flächen mit einem weichen Tuch. Setzen Sie die Ablassschraube wieder ein. Waschen Sie den Eiswürfelbehälter und die Eisschaufel in warmem Seifenwasser. Spülen und trocknen.

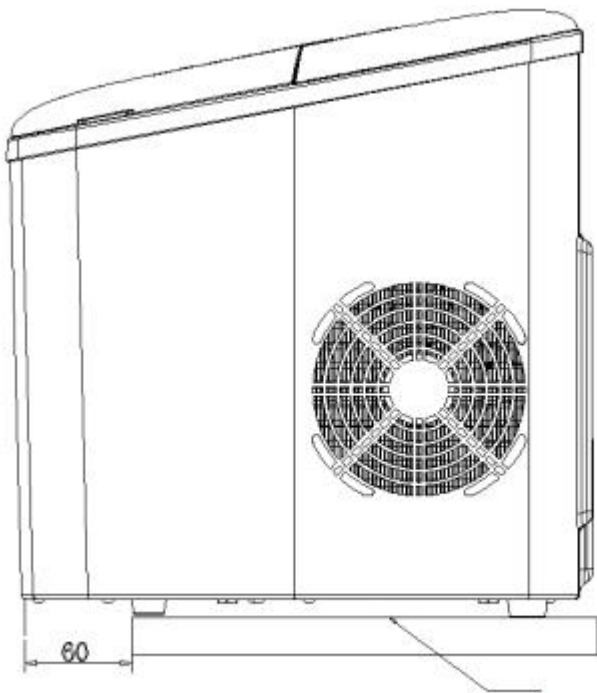
Reinigen Sie die Außenfläche der Eiswürfelmaschine mit einem weichen, feuchten Tuch. Verwenden Sie eine milde Spülmittel, wenn es notwendig ist

HINWEIS:

Verwenden Sie zum Reinigen keine organischen Lösungsmittel, kochendes Wasser, Reinigungsmittel, starke Säuren und starke Laugen.

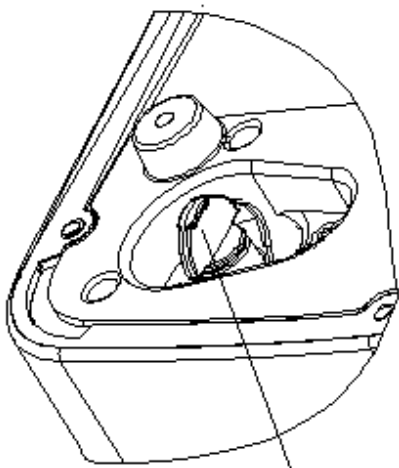
Verdampfer nicht reinigen

Falls Sie die Eismaschine über längere Zeit nicht brauchen, leeren Sie das Wasser komplett aus und trocknen Sie sie gründlich..



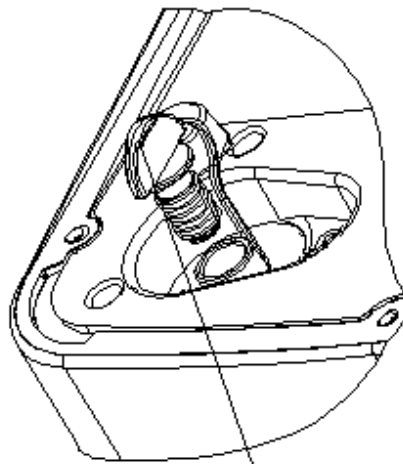
Arbeitsstisch

(Abb.4)



Abflusstופן

(Abb. 5)



Abflusstופן

(Abb.6)

FEHLERBEHEBUNG

Problem	Mögliche Ursache	Lösung
„Add Water“ – Anzeige leuchtet	<ol style="list-style-type: none"> 1. Niedriger Wasserstand oder Wassermangel. 2. Das Wassersieb am Boden des Wasserbehälters ist verstopft. 3. Fehlfunktion der Pumpe. 	<ol style="list-style-type: none"> 1. Beenden Sie den Gefriervorgang indem Sie die „ON/OFF“-Taste drücken und füllen Sie Wasser ein. Drücken Sie die „ON/OFF“-Taste erneut, um das Gerät wieder einzuschalten. 2. Reinigung durchführen. 3. Schicken Sie es zur Reparatur an den autorisierten Kundendienst.
“ICE FULL”- Anzeige leuchtet	<ol style="list-style-type: none"> 1. Der Eiskorb ist voll und das Infrarotlicht wird vom Eis blockiert. 	<ol style="list-style-type: none"> 1 Nehmen Sie das Eis aus dem Eiskorb. 2a. Wischen Sie unbekannte Objekte an der

	2. Infrarot-Leuchtdiode und Leuchtdiode funktionieren nicht.	Infrarot-Leuchtdiode und der Leuchtdiode ab und starten Sie die Eismaschine neu. 2b. Wenden Sie sich an den Kundendienst, wenn die Infrarot-Leuchtdiode und die Leuchtdiode nach dem Abwischen unbekannter Objekte und dem Neustart der Eismaschine immer noch nicht funktionieren.
Die Eiswürfel kleben aneinander.	Der Eiswürfelproduktionszyklus dauert zu lange.	Beenden Sie den Gefriervorgang. Starten Sie das Gerät erneut sobald die Eiswürfel zu schmelzen beginnen.
	Die Wassertemperatur im Inneren des Wassertanks ist zu niedrig.	Wasser im Wassertank austauschen. Die optimale Wassertemperatur liegt zwischen 8 °C - 25 °C.
Der Eiswürfelproduktionszyklus ist normal, aber es werden keine Eiswürfel produziert.	Die Umgebungs- oder die Wassertemperatur ist zu hoch.	Das Gerät unter 32° C Umgebungstemperatur betreiben und kälteres Wasser einfüllen.
	Die Kühlflüssigkeit im Kühlsystem läuft aus.	Kundendienst kontaktieren.
	Gefrierfach ist blockiert	Kundendienst kontaktieren.
Schlechtes Ergebnis bei der Eisherstellung	1. Schlechte Wärmeableitung. 2. Die Wassertemperatur ist zu hoch.	1. Lassen Sie an allen Seiten der Eiswürfelmaschine einen Freiraum von 6 inch, um eine

	<p>3. Die Umgebungstemperatur ist zu hoch.</p>	<p>ausreichende Belüftung zu gewährleisten.</p> <p>2. Füllen Sie den Wasserbehälter mit Wasser zwischen 8 °C und 28 °C.</p> <p>3. Betreiben Sie die Eiswürfelmaschine in einer Umgebungstemperatur zwischen 10 ° C und 32 ° C.</p>
--	--	--

TECHNISCHE DATEN

Modell: EM2100

Klimabereich: ST/SN/N/T

Klasse: I

Spannung: 220-240V/50Hz

Leistungsaufnahme: 120W

Kältemittel : R600a/23g

Schaummittel: C5H10

Nettogewicht: 8.3Kg

Gehäuse: PP

Abmessungen (B x T x H) : 310*230*325mm



UMWELTFREUNDLICHE ENTSORGUNG

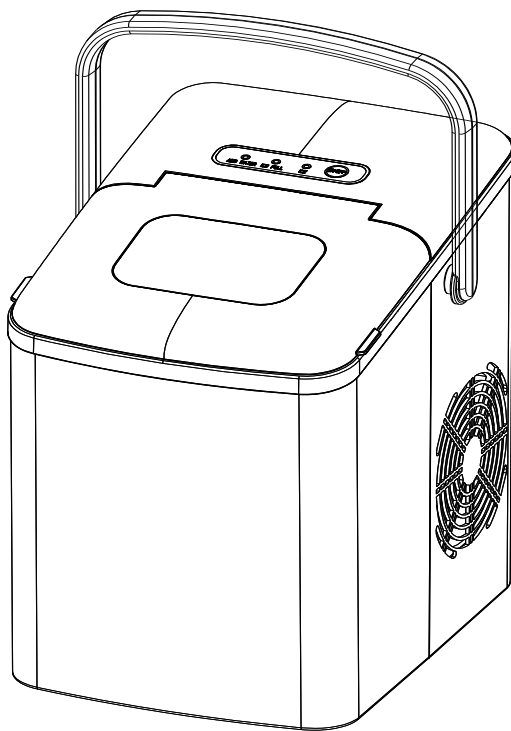
Sie können dazu beitragen, die Umwelt zu schützen!

Altgeräte dürfen nicht in den Hausmüll! Geben Sie sie bei einer geeigneten Sammelstelle ab.



ЛЬДОГЕНЕРАТОР

ИНСТРУКЦИЯ ПО ЭКСПЛУАТАЦИИ



EM2100

Внимательно прочитайте настоящую инструкцию по эксплуатации перед использованием и сохраните ее для последующего использования

ВАЖНЫЕ ИНСТРУКЦИИ ПО БЕЗОПАСНОСТИ

Чтобы снизить риск возгорания, взрыва, поражения электрическим током или получения травм при использовании льдогенератора, соблюдайте следующие важные инструкции по безопасности:

1. Перед использованием проверьте, соответствует ли напряжение, указанное на паспортной табличке устройства.
2. Не удаляйте с вашего льдогенератора информационные наклейки о безопасности, предупреждениях или о самом устройстве.
3. Подключите льдогенератор к внештатному заземленному источнику питания. Не подключайте какое-либо другое устройство к тому же источнику питания. Убедитесь, что вилка полностью вставлена в розетку.
4. Данное устройство должно быть заземлено. Оно оснащено шнуром питания с заземляющей вилкой. Вилка должна быть подключена к источнику питания, которое правильно установлено и заземлено.
5. Избегайте использование удлинителя, так как он может перегреться и вызвать пожар. Однако, если есть необходимость использования удлинителя:
 - 1) Используйте только удлинитель с заземляющим штекером.
 - 2) Номинальная мощность удлинителя должна быть равна или превышать номинальную мощность данного устройства.
 - 3) Он должен быть расположен таким образом, чтобы не висеть над рабочей поверхностью или поверхностью стола, откуда дети могут его потянуть на себя.
6. Не используйте устройство с шнуром или вилкой, вышедшими из строя, а также после обнаружения неисправности устройства или его повреждения каким-либо образом. Верните устройство в ближайший авторизованный сервисный центр для проверки, ремонта или его настройки.
7. Если шнур питания поврежден, он должен, во избежание опасности, быть заменен производителем, агентом в сервисном центре или другими квалифицированными специалистами.
8. Для устройств, в которых используются легковоспламеняющиеся изолирующие газы, инструкции должны содержать информацию об утилизации устройства.
9. Не позволяйте шнуру свисать с края стола или рабочей поверхности.

10. Не кладите на горячую газовую или электрическую плиту или рядом с ней, а также в горячую духовку.
11. Положите шнур питания таким образом, чтобы дети не могли его подтянуть или так, чтобы не вызвать риск спотыкания.
12. Разместите шнур питания таким образом, чтобы он не касался горячих поверхностей.
13. Использование дополнительных деталей, не рекомендованных или продаваемых производителем, может привести к пожару, поражению электрическим током или получению травмы.
14. Не прикасайтесь к испарителю во время использования льдогенератора или приготовления льда во избежание обмороживания.
15. Не погружайте какую-либо часть устройства в воду.
16. Чтобы отключить устройство поверните любой элемент управления в положение «ВЫКЛ», затем выньте вилку из розетки.
17. Не включайте и не отключайте устройство мокрыми руками.
18. Отключайте устройство от сети перед чисткой, обслуживанием и когда оно не используется.
19. Не используйте с водой, которая является микробиологически небезопасной или ее качество неизвестно.
20. Не чистите устройство легковоспламеняющимися жидкостями. Пары могут привести к опасности возникновения пожара или взрыва.
21. Не переворачивайте льдогенератор. Если льдогенератор случайно перевернулся, дайте ему постоять в одном положении в течение 2 часов, прежде чем снова включать его.
22. Если приносите льдогенератор из холода в тепло, не пользуйтесь им в течение нескольких часов, дайте устройству прогреться до комнатной температуры перед началом работы.
23. Никогда не кладите в льдогенератор легковоспламеняющиеся, взрывоопасные и едкие вещества.
24. Никогда не используйте льдогенератор при утечке горючего газа.
25. Во избежание пожара, никогда не храните и не используйте газ и другие

легковоспламеняющиеся вещества рядом с льдогенератором.

26. Отключите льдогенератор перед перемещением, чтобы не нарушить холодильную систему.

27. Не пытайтесь разбирать, ремонтировать, вносить изменения или заменять какую-либо часть вашего товара.

28. Дети не должны играть с устройством.

29. Данное устройство может использоваться детьми в возрасте с 8 лет и лицами с ограниченными физическими, сенсорными или умственными способностями, или недостатком опыта и знаний, только когда над ними осуществляется надзор или оказана инструкция по безопасному использованию устройства и они понимают связанные с этим опасности

30. Чистка и обслуживание пользователя не должны производиться детьми без присмотра.

31. При использовании устройства детьми или вблизи детей необходимо осуществление пристального контроля.

32. Не оставляйте устройство без присмотра во время использования.

33. Не использовать на открытом воздухе.

34. Не использовать устройство не по назначению.

35. Убедительная просьба утилизировать льдогенератор в соответствии с местными предписаниями в отношении утилизации устройств, т.к. в нем содержится горючий газ и хладагент.

36. ПРЕДУПРЕЖДЕНИЕ: Наливать только питьевую воду.

37. ПРЕДУПРЕЖДЕНИЕ: Следите за тем, чтобы вентиляционные отверстия в корпусе устройства или во встроенной конструкции не были закрыты.

38. ПРЕДУПРЕЖДЕНИЕ: Не используйте механические устройства или другие средства для ускорения процесса размораживания, кроме рекомендованных производителем.

39. ПРЕДУПРЕЖДЕНИЕ: Не повредите контур хладагента.

40. ПРЕДУПРЕЖДЕНИЕ: Не используйте электрические устройства внутри отсеков для хранения продуктов, если они не соответствуют типу, рекомендованному производителем.

41. Не храните в этом устройстве взрывоопасные вещества, такие как аэрозольные баллончики с горючим топливом.



42. Предупреждение: Риск пожара/легковоспламеняющихся материалов.

43. ПРЕДУПРЕЖДЕНИЕ: При установке устройства убедитесь, что шнур питания не зажат или поврежден.

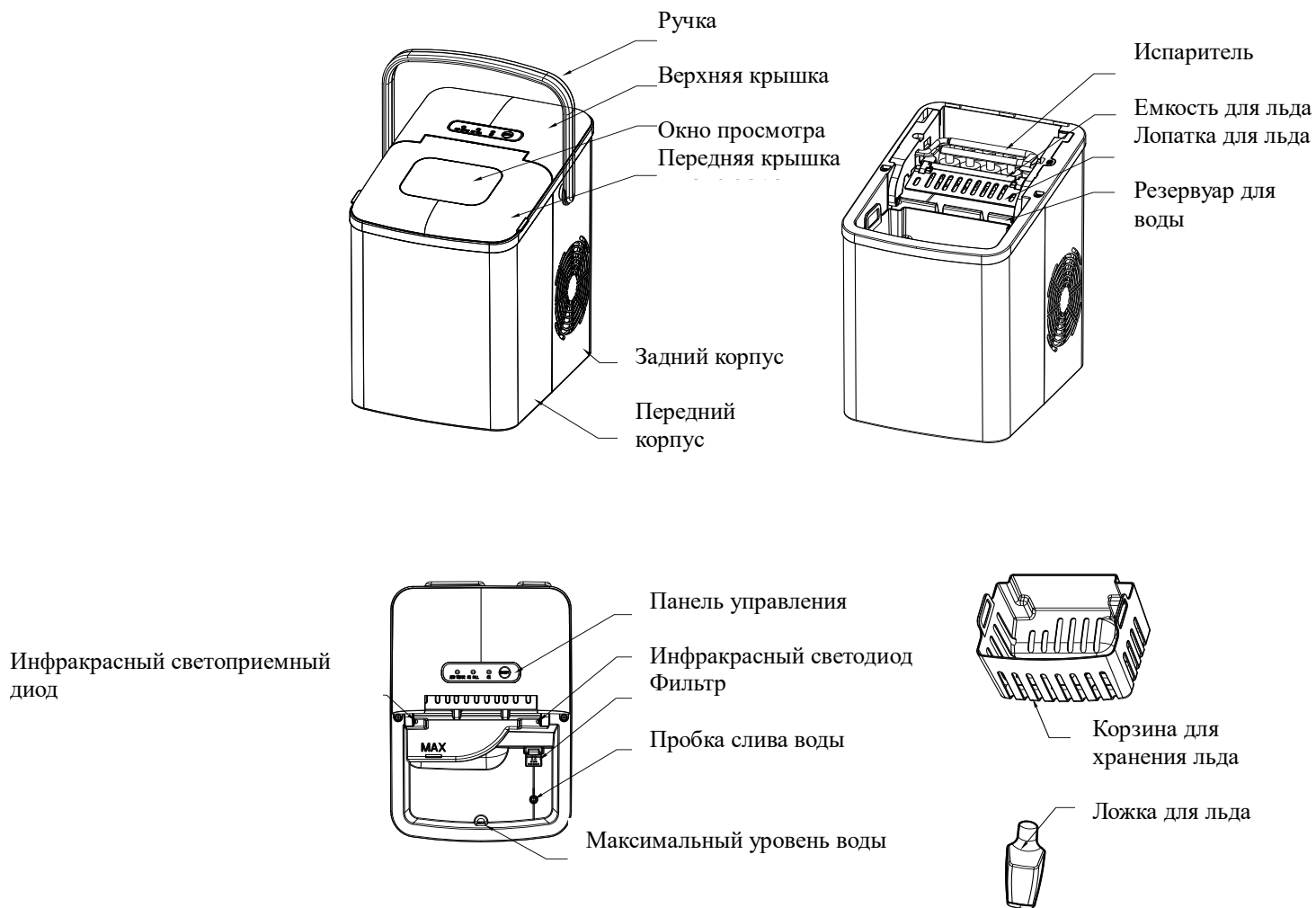
44. ПРЕДУПРЕЖДЕНИЕ: Не располагайте несколько портативных розеток или портативных розеток на задней панели устройства.

45. Это устройство предназначено для использования в домашнем хозяйстве и аналогичных местах, таких как:

- кухонные зоны персонала в магазинах, офисах и других рабочих местах;
- фермерские дома и клиенты в гостиницах, мотелях и других жилых помещениях;
- домашние гостиницы типа "ночлег и завтрак";
- обслуживание питанием и аналогичные не розничные объекты.

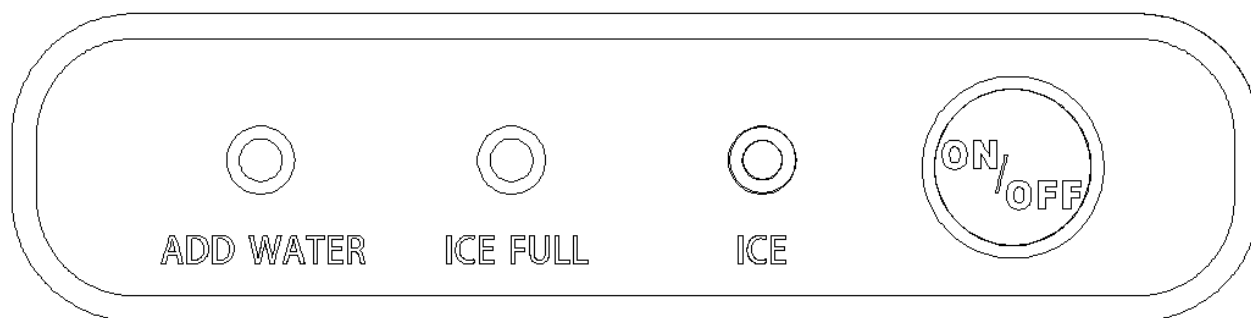
46. Сохраните данную инструкцию.

ОЗНАКОМЬТЕСЬ СО СВОИМ ЛЬДОГЕНЕРАТОРОМ



(Товар может быть изменен без предварительного уведомления)

ПАНЕЛЬ УПРАВЛЕНИЯ



Ключ (с индикатором)	Функция
ВКЛ./ВЫКЛ.	Запустить или остановить устройство; Для очистки нажать и долго держать;
ЛЕД	Режим ожидания: Мигает индикатор «ЛЕД»; Состояние очистки: мигает индикатор «ЛЕД» быстрее; Рабочее состояние: Индикатор «ЛЕД» горит постоянно.
ЛЕД - ЗАПОЛНЕНО	Индикатор «ЛЕД - ЗАПОЛНЕНО» загорается, когда емкость для льда заполнена.
ДОБАВИТЬ ВОДУ	Индикатор «ДОБАВИТЬ ВОДУ» загорается, когда в резервуаре не хватает воды.

ПЕРЕД ПЕРВЫМ ИСПОЛЬЗОВАНИЕМ

1. Распакуйте устройство, затем проверьте и убедитесь, что все части, включая корзину для льда, лопатку для льда и т. д. собраны. Если какие-либо части отсутствуют просим связаться с отделом обслуживания клиентов.
2. Убедитесь просьба следить инструкциям ниже, чтобы установить ручку в нужное положение.
 - 1) Возьмите руками обе стороны ручки как указано стрелками и потяните их наружу (см. Рис. 1).
 - 2) Поставьте ручку с ровное положение с отверстиями на корпусе и освободите руки, затем вставьте ручку в отверстия на корпусе (см. Рис.2).
 - 3) Потяните и поставьте ручку в вертикальное положение, а затем потяните обе стороны ручки наружу, выполнив операцию, описанную в Шаге 1. Проверьте и убедитесь, что ручка хорошо разместилась в отверстиях корпуса.
 - 4) Удерживая центр ручки, поднимите ее вверх (см. Рис. 3), проверьте и убедитесь, что все правильно поставлено.

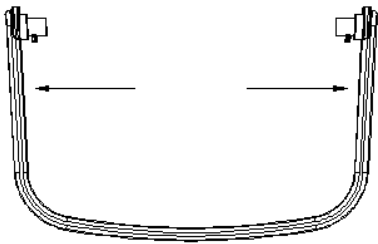


Рис.1

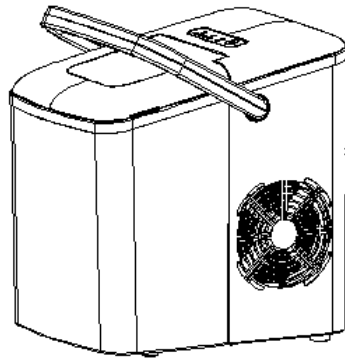


Рис.2

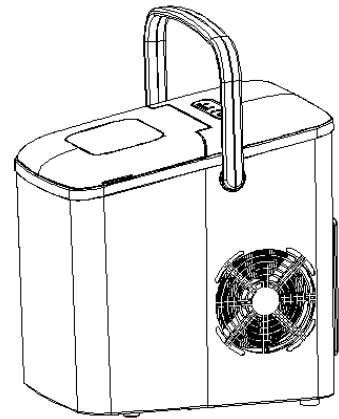


Рис.3

3. Во избежание нарушения работоспособности убедитесь, что льдогенератор поставлен ровно и находится на прочном столе или платформе.
4. Угол наклона емкости для сбора льда не должна превышать 45°C во время транспортировки или использования. Не переворачивайте льдогенератор вверх дном. Это может привести к неправильной работе компрессора или системы охлаждения. Убедительная просьба подождать пока жидкости в компрессоре не осядут после перемещения или транспортировки льдогенератора. После того, как устройство будет выровнено и расположено в нужном месте, просьба подождать 2 часа прежде чем использовать его в первый раз.
5. Устройство следует класть на сухую и ровную поверхность с достаточной вентиляцией, вдали от источников тепла, таких как духовки, нагреватели и едкие газы. Оставьте около 6 дюймов (15 см) свободного пространства со всех сторон льдогенератора для правильной вентиляции.
6. Не заполняйте резервуар горячей водой. Это может повредить льдогенератор. Лучше всего наполнить резервуар водой комнатной температуры или ниже.
7. Не используйте устройство в очень холодных условиях (ниже 5°C).
8. Очистите устройство перед использованием, следуя инструкциям «ЧИСТКА И ОБСЛУЖИВАНИЕ».

ИСПОЛЬЗОВАНИЕ ВАШЕГО ЛЬДОГЕНЕРАТОРА

1. Убедитесь, что пробка слива воды на дне резервуара для воды хорошо закрыта.
2. Подключите льдогенератор к настенной розетке, индикатор «ЛЕД» мигает.

ПРИМЕЧАНИЕ: После перемещения устройства дайте льдогенератору отдохнуть в течение 30 минут, прежде чем включить его снова.

3. Откройте верхнюю крышку и удалите корзину для хранения льда.
4. Заполните резервуар питьевой водой.

ПРИМЕЧАНИЕ: Не заливайте воду выше отметки уровня воды МАКС.

5. Замените корзину для хранения льда и закройте верхнюю крышку.
6. Нажмите кнопку «ВКЛ./ВЫКЛ.», и индикатор «ЛЕД» будет гореть постоянно.
7. Цикл приготовления льда будет длиться примерно 7-15 минут, в зависимости от комнатной температуры и температуры воды.
8. Цикл приготовления льда начинается с закачки воды в емкость для льда, расположенной под испарителем. В течение следующих 7-15 минут на испарителе образуется лед. После этого емкость для льда откидывается назад, а оставшаяся в лотке вода стекает обратно в резервуар для воды. Затем кубики льда падают из испарителя и перемещаются вперед в корзину для хранения льда с помощью лопатки для льда. Лоток для льда автоматически вернется в положение под испарителем и начнется следующий цикл.
9. Индикатор «ЛЕД НАПОЛНЕН» загорится, когда корзина для хранения льда заполнится, и льдогенератор затем автоматически остановит цикл приготовления льда. Аккуратно удалите лед из корзины для хранения льда с помощью лопатки для льда. Примерно через 7,5 секунд льдогенератор автоматически перезапустит свою функцию приготовления льда.
10. Индикатор «ДОБАВИТЬ ВОДУ» загорается, когда в резервуаре не хватает воды, и цикл приготовления льда автоматически останавливается. В данном случае выньте корзину для хранения льда и добавьте воды в резервуар, а затем снова нажмите кнопку «ВКЛ./ВЫКЛ.», чтобы возобновить цикл приготовления льда. Устройство начнет работать автоматически примерно через 20 минут, в случае если оператор забудет перезапустить устройство после его заправки.
11. Когда вы получите желаемое количество льда, остановите цикл приготовления

льда, нажав кнопку «ВКЛ./ВЫКЛ.», и отсоедините устройство от настенной розетки.

12. Откройте верхнюю крышку и перенесите лед в морозилку.

13. Позволить льдогенератору достижения комнатной температуры.

14. Предлагаем менять воду каждую неделю. Убедительная просьба вылить все из резервуара для воды, если льдогенератор не используется в течение длительного времени.

ЧИСТКА И ТЕХНИЧЕСКОЕ ОБСЛУЖИВАНИЕ

Чтобы сохранить вкус вашего льда свежим, а ваш льдогенератор выглядел безупречно, мы рекомендуем чистить льдогенератор раз в неделю.

1. Остановите цикл приготовления льда, нажав кнопку «ВКЛ./ВЫКЛ.», отсоедините льдогенератор от настенной розетки и дайте ему прогреться до комнатной температуры.

2. Если в корзине для льда осталась вода, осторожно отодвиньте корзину для льда назад, чтобы вся вода стекла в резервуар для воды.

3. Переместите устройство на 60 мм от рабочего стола и откройте пробку слива воды, чтобы слить лишнюю воду (см. Рис.4, Рис.5 и Рис.6).

4. Уберите корзину для хранения льда.

5. Очистите внутреннюю поверхность льдогенератора мягкой тканью, пропитанной теплой водой и уксусом, промойте чистой водой, а затем слейте всю воду.

6. Поставьте пробку для слива воды в обратное положение. Промойте корзину для хранения льда и лопатку для льда в теплой мыльной воде. Промойте и дайте высохнуть.

7. Очистите корпус льдогенератора мягкой влажной тканью. При необходимости используйте мягкое мыло для мытья посуды.

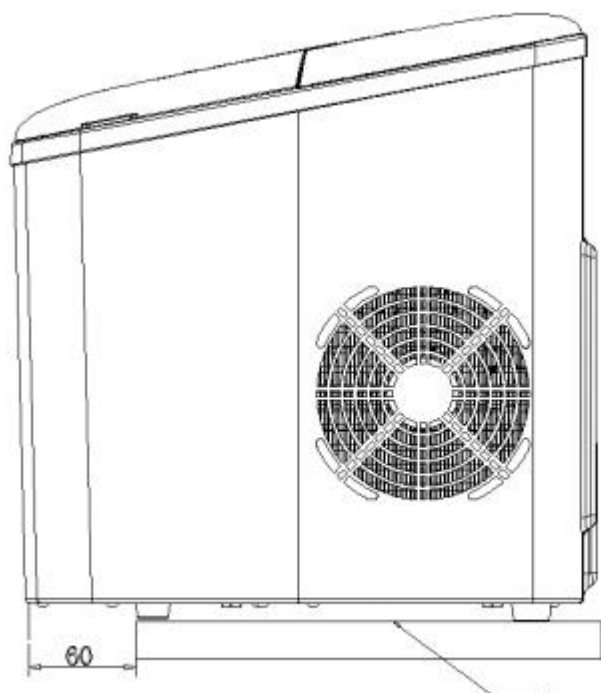
ПРИМЕЧАНИЕ:

1) При очистке не используйте органический растворитель, кипяченую воду, моющие средства, сильную кислоту, сильную щелочь и т.д.

2) Не чистите испаритель.

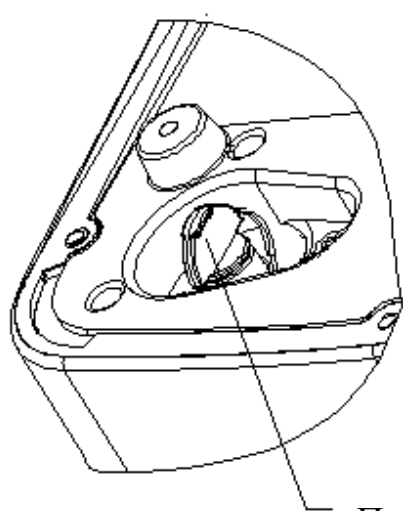
8. Вылейте все из резервуара для воды и дайте высохнуть до того как отложить,

если льдогенератор не используется в течение длительного времени.



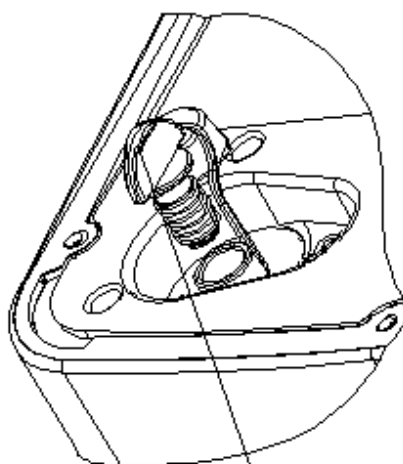
Рабочая поверхность

(Рис.4)



Пробка слива воды

(Рис.5)



Пробка слива воды

(Рис.6)

ВЫЯВЛЕНИЕ НЕИСПРАВНОСТЕЙ

Проблема	Возможные причины	Решение
Включается индикатор «ДОБАВИТЬ ВОДУ»	<ol style="list-style-type: none"> 1. Низкий уровень воды или недостаток воды. 2. Решетка для очистки воды на дне резервуара заблокирована. 	<ol style="list-style-type: none"> 1. Остановите приготовление льда, долейте воду, а затем нажмите кнопку «ВКЛ./ВЫКЛ.», чтобы возобновить цикл

	3. Неисправность насоса.	приготовления льда. 2. Очистите. 3. Отнесите устройство в авторизованный сервис для ремонта.
Загорается индикатор «ЛЕД - ЗАПОЛНЕНО»	1. Корзина для льда заполнена, и лед блокирует инфракрасный свет. 2. Инфракрасные светодиоды и светоприемные диоды не работают.	1. Удалите лед из корзины для хранения льда. 2а. Протрите неизвестные объекты на инфракрасном светодиоде и светоприемном диоде и перезапустите льдогенератор. 2б. Обратитесь в службу поддержки клиентов, если инфракрасный светодиод и светоприемный диод все еще не могут работать после того, как вы вытерли неизвестные объекты и перезапустили льдогенератор.
Кубики льда склеиваются между собой	Изготовление льда занимает слишком много времени.	Приостановите изготовления льда и перезапустите цикл после того как лед оттает.
	Температура воды в резервуаре слишком низкая.	Заполните резервуар с водой в диапазоне от 8°C до 25°C.
Цикл изготовления льда кажется нормальным, но лед не производится	Комнатная температура или температура воды слишком высокие.	Запустите цикл изготовления льда при комнатной температуре ниже 32°C и заполните резервуар холодной водой.
	Утечка в системе охлаждения.	Обратитесь в службу поддержки.

	Блоки системы охлаждения.	Обратитесь в службу поддержки.
Плохой результат изготовления льда	<ol style="list-style-type: none"> 1. Плохое тепловыделение. 2. Температура воды слишком высокая. 3. Комнатная температура слишком высокая. 	<ol style="list-style-type: none"> 1. Оставьте около 6 дюймов свободного пространства со всех сторон льдогенератора для правильной вентиляции. 2. Заполните резервуар с водой в диапазоне от 8°C до 28°C. 3. Использовать льдогенератор при комнатной температуре от 10°C до 32°C.

ТЕХНИЧЕСКИЕ ПАРАМЕТРЫ

Модель: EM2100

Применимый климат: ST/SN/N/T

Класс: I

Источник питания: 220-240В/50Гц

Номинальная мощность: 120Вт

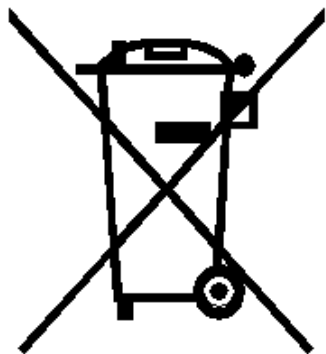
Хладагент/количество хладагента: R600a / 23г

Пенообразователь: C₅H₁₀

Вес нетто: 8.3кг

Корпус: PP

Размер блока (Д x Ш x В): 310 * 230 * 325мм



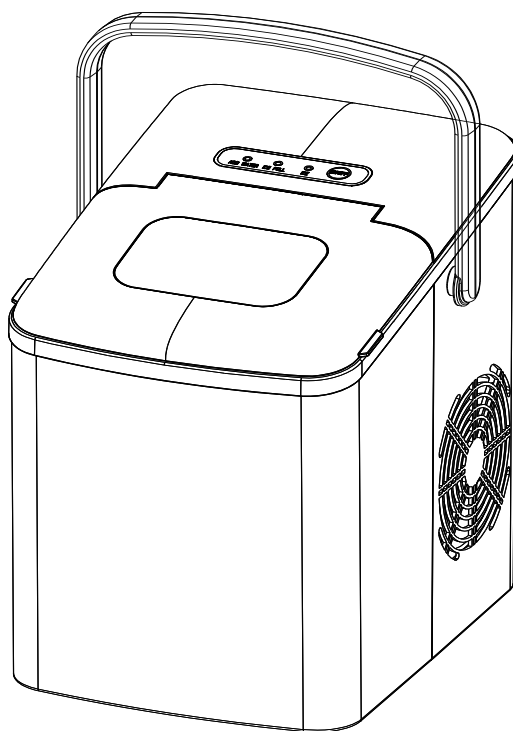
ПРИРОДОСБЕРЕГАЮЩАЯ УТИЛИЗАЦИЯ

Вы можете помочь защите окружающей среды!
Пожалуйста, не забывайте соблюдать местные правила: сдать нерабочее электрическое оборудование в соответствующий центр утилизации отходов.



APARAT ZA PRAVLJENJE LEDA

KORISNIČKO UPUTSTVO



EM2100


Pažljivo pročitajte ovo uputstvo pre upotrebe i sačuvajte ga za buduću upotrebu

VAŽNA BEZBEDNOSNA UPUTSTVA

Da biste smanjili rizik od požara, eksplozije, strujnog udara ili povreda prilikom korišćenja aparata za pravljenje leda, pratite ova važna bezbednosna uputstva:

1. Pre upotrebe proverite da li napon odgovara onom koji je naveden na tipskoj pločici uređaja.
2. Ne uklanjajte nikakve oznake za sigurnost, upozorenje ili informacije o proizvodu s uređaja za pravljenje leda.
3. Uključite aparat za led u posebnu uzemljenu utičnicu. Nijedan drugi uređaj ne sme da bude priključen u istu utičnicu. Vodite računa da je utikač dobro utaknut u utičnicu.
4. Ovaj uređaj mora biti uzemljen. Opremljen je kablom za napajanje sa utikačem sa uzemljenjem. Utikač mora biti priključen u utičnicu koja je pravilno postavljena i uzemljena.
5. Izbegavajte upotrebu produžnog kabla jer se može pregrevati i prouzrokovati opasnost od požara. Međutim, ukoliko je potrebno koristiti produžni kabl:
 - 1) Koristite samo produžni kabl sa utikačem sa uzemljenjem.
 - 2) Napon produžnog kabla mora biti jednak ili veći od napona ovog uređaja.
 - 3) Treba postaviti produžni kabl tako da ne visi nad pultom ili stolom sa kojeg ga deca namerno mogu povući.
6. Ne koristite aparat s oštećenim kablom ili utikačem ili nakon nepravilnog rada uređaja ili oštećenja na bilo koji način. Vratite uređaj najbližem ovlašćenom servisu na pregled, popravku ili podešavanje.
7. Ako je kabl za napajanje oštećen, mora ga zameniti proizvođač, serviser ili osoba sa sličnim kvalifikacijama kako bi se izbegla bilo kakva opasnost.
8. U slučaju bacanja/ odlaganja uređaja, treba se pridržavati smernica koje se tiču odlaganja uređaja koji koriste zapaljive gasove.
9. Ne ostavljajte kabl da visi sa ivice stola ili pulta.
10. Ne stavljajte uređaj na ili u blizini vrućeg gasa ili električnog šporeta, niti u zagrejanu rernu.
11. Postavite kabl za napajanje tako da ga deca ne mogu vući ili da ne predstavlja opasnost od saplitanja.
12. Postavite kabl za napajanje tako da nije u kontaktu sa vrućim površinama.

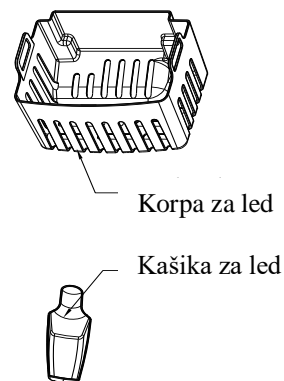
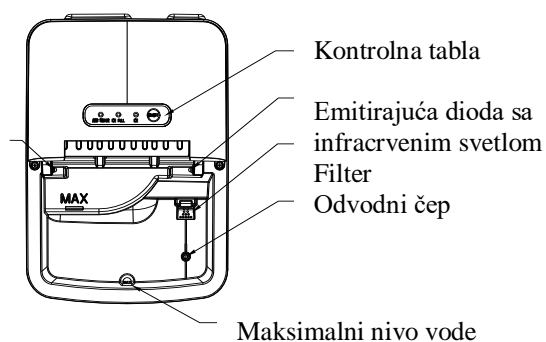
13. Upotreba dodataka koje proizvođač ne preporučuje ili ne prodaje može prouzrokovati požar, strujni udar ili povrede.
14. Ne dodirujte isparivač tokom rada aparata za pravljenje leda, jer to može dovesti do promrzlina.
15. Ne uranjajte delove uređaja u vodu.
16. Da biste isključili uređaj, okrenite bilo koje kontrolno dugme na „OFF“, a zatim izvadite utikač iz zidne utičnice.
17. Nemojte uključivati ili isključivati uređaj iz zidne utičnice mokrim rukama.
18. Isključite uređaj iz zidne utičnice pre čišćenja, održavanja i kada nije u upotrebi
19. Ne koristite vodu koja je mikrobiološki neispravna ili je nepoznatog kvaliteta.
20. Ne čistite uređaj zapaljivim tečnostima. Isparenja mogu stvoriti opasnost od požara ili eksplozije.
21. Ne prevrćite aparat za pravljenje leda. Ukoliko se uređaj slučajno prevrne, ostavite ga da stabilno stoji naredna dva sata pre ponovne upotrebe.
22. Ukoliko aparat za pravljenje leda unosite unutra sa niske spoljašnje temperature, nemojte koristiti uređaj nekoliko sati, kako bi se temperatura uređaja pre upotrebe izjednačila sa sobnom temperaturom.
23. Nikada ne stavljajte zapaljive, eksplozivne i korozivne predmete u aparat za pravljenje leda.
24. Nemojte koristiti aparat za pravljenje leda ukoliko postoji curenje zapaljivog gasa.
25. Nikada ne čuvajte i ne upotrebljavajte gas i druge zapaljive proizvode u blizini aparata za pravljenje leda, kako ne bi došlo do požara.
26. Isključite aparat za pravljenje leda iz utičnice pre nego što ga pomerate, jer time sprečavate oštećenje rashladnog sistema.
27. Ne pokušavajte sami da rastavite, popravite, modifikujete ili zamenite bilo koji deo uređaja.
28. Deca se ne smeju igrati sa uređajem.
29. Ovaj uređaj mogu koristiti deca starija od 8 godina i više, osobe sa smanjenim fizičkim, senzornim ili mentalnim sposobnostima ili nedostatkom iskustva i znanja samo ukoliko su pod nadzorom ili su prethodno dobili uputstva o upotrebi uređaja na siguran način i razumeli opasnosti koje upotreba uključuje.

30. Deca ne smeju bez nadzora obavljati čišćenje i održavanje uređaja.
31. Neophodan je strogi nadzor kada uređaj koriste deca ili se uređaj koristi u njihovoj blizini.
32. Ne ostavljajte uređaj bez nadzora dok je u upotrebi.
33. Nemojte koristiti uređaj na otvorenom.
34. Koristite ovaj uređaj samo u svrhe kojima je namenjen.
35. Bacanje/ odlaganje aparata za pravljenje leda mora se obaviti u skladu sa lokalnim regulativama koje se odnose na ove uređaje, jer sadrži zapaljivi gas i rashladno sredstvo.
36. UPOZORENJE: Puniti aparat samo pijaćom vodom.
37. UPOZORENJE: Otvori za ventilaciju na uređaju moraju biti oslobođeni svih prepreka.
38. UPOZORENJE: Ne koristite mehaničke uređaje ili druga sredstva za ubrzavanje procesa odmrzavanja, osim onih koja su preporučena od strane proizvođača.
39. UPOZORENJE: Ne oštećujte rashladno kolo.
40. UPOZORENJE: Ne koristite električne uređaje u pregradama za odlaganje hrane na uređaju, osim ako oni nisu preporučeni od strane proizvođača.
41. Ne stavljajte u ovaj uređaj eksplozivne materije kao što su aerosolne kante sa zapaljivim gorivom.
42.  Upozorenje: Opasnost od požara / zapaljivih materija.
43. UPOZORENJE: Prilikom postavljanja uređaja vodite računa da kabl za napajanje nije nečim pritisnut ili oštećen.
44. UPOZORENJE: Nemojte sa zadnje strane uređaja postavljati veći broj prenosivih utičnica i prenosivih izvora napajanja.
45. Uređaj je namenjen za upotrebu u domaćinstvima i sličnim okruženjima kao što su:
– kuhinske prostorije u prodavnicama, kancelarijama i drugim poslovnim prostorijama;
– seoske kuće i hoteli, moteli i ostala okruženja stambenog tipa u kojima borave klijenti;
– pansioni i slične turističke prostorije;
– ugostiteljstvo, catering i slični maloprodajni objekti.
46. Sačuvajte ovo uputstvo.

UPOZNAJTE VAŠ UREĐAJ

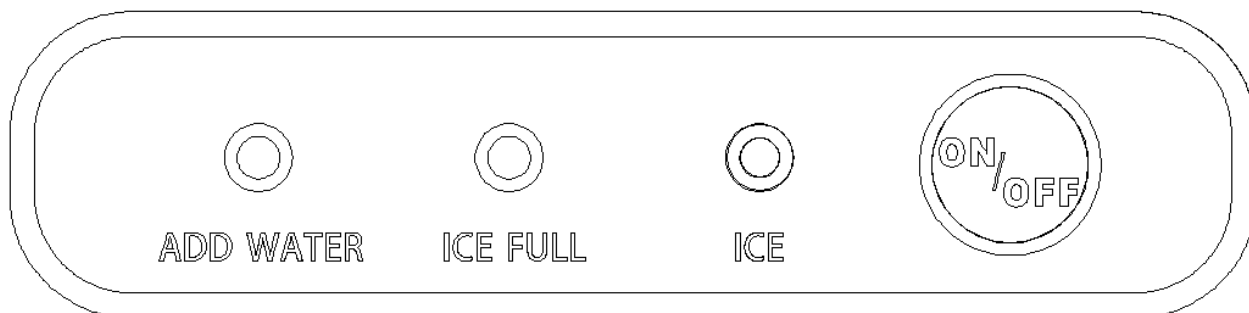


Prijemna dioda sa infracrvenim svetlom



(Proizvod može podleći promeni bez prethodne najave)

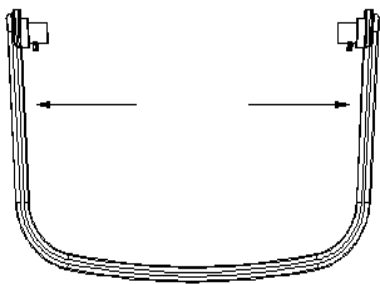
KONTROLNA TABLA



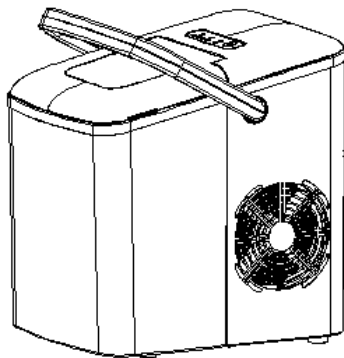
Taster (sa indikatorom)	Funkcija
ON/OFF	Početak ili prekid rada uređaja; Dugi pritisak na taster za čišćenje uređaja;
ICE/ LED	Režim pripravnosti: “ICE” indikator treperi; Stanje čišćenja: “ICE” indikator treperi brže; Stanje rada: “ICE” indikator svetli ujednačeno.
ICE FULL/ NAPUNJEN LED	“ICE FULL” indikator svetli kada je korpa za led puna ledom
ADD WATER/ DODAVANJE VODE	“ADD WATER” indikator svetli kada u rezevoaru nedostaje voda

PRE PRVE UPOTREBE

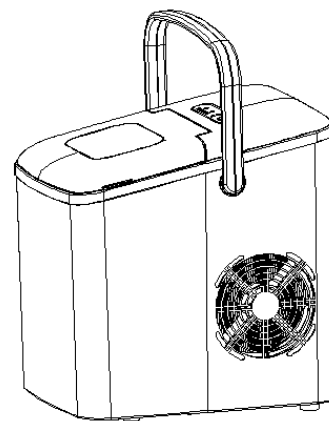
1. Raspakujte uređaj, a zatim proverite sve dodatke, uključujući korpu za led i lopaticu za led. Ukoliko neki dodatak nedostaje, kontaktirajte korisnički servis.
2. Da biste postavili ručku u pravilan položaj, sledite postupak naveden ispod.
 - 1) Uhvatite rukama obe strane ručke označene strelicama i povucite ih ka spolja. (Slika 1)
 - 2) Postavite ručku tako da je u ravni sa rupama na kućištu, pustite je iz ruku, a zatim umetnite ručku u rupe na kućištu. (Slika 2)
 - 3) Povucite ručku i uspravite je, a zatim povucite obe strane ručke ka spolja, prateći postupak iz koraka broj 1. Proverite da li je ručka postavljena dobro u rupama na kućištu.
 - 4) Držite sredinu ručke i podignite je naviše (Slika 3), a zatim proverite da li je sve ispravno postavljeno.



Sl.1



Sl.2



Sl.3

3. Kako biste izbegli kvarove, proverite da li je aparat za pravljenje leda postavljen ravno na stabilan sto ili drugu površinu
4. Ugao nagiba aparata za pravljenje leda ne sme biti veći od 45° tokom transporta ili upotrebe. Ne okrećite aparat za led naopako. To može dovesti do nepravilnog rada kompresora ili rashladnog sistema. Pustite da se tečnost u kompresoru slegne nakon pomeranja ili transportovanja aparata za pravljenje leda. Pre prve upotrebe aparata za pravljenje leda, sačekajte da prođe 2 sata od pravilnog postavljanja uređaja na odgovarajuće mesto.
5. Uređaj treba postaviti na suhu i ravnu površinu sa dovoljno ventilacije, daleko od izvora toplote kao što su rerne, grejači i korozivni gasovi. Ostavite razmak od oko 15cm sa svih strana uređaja, kako bi se omogućila normalna ventilacija.
6. Nemojte puniti rezervoar za vodu toplom vodom, jer to može da ošteti aparat za pravljenje leda. Najbolje je da rezervoar puniti vodom koja je sobne temperature ili niže.
7. Ne koristite uređaj u veoma hladnom okruženju (na temperaturi nižoj od 5°C).
8. Očistite uređaj pre upotrebe prateći uputstva iz dela “ČIŠĆENJE I ODRŽAVANJE”.

KORIŠĆENJE APARATA ZA PRAVLJENJE LEDA

1. Proverite da li je odvodni čep na dnu rezervoara za vodu dobro zatvoren.
 2. Uključite uređaj u zidnu utičnicu i taster “ICE” počinje da treperi.
- NAPOMENA:** Ostavite aparat za pravljenje leda da odstoji 30 minuta pre uključivanja ukoliko je prethodno pomešan / transportovan.
3. Otvorite gornji poklopac i pomerite korpu za led.
 4. Napunite rezervoar za vodu pijaćom vodom.

NAPOMENA: Nemojte puniti rezervoar iznad oznake MAX, koja označava maksimalni nivo vode.

5. Vratite na mesto korpu za led i zatvorite gornji poklopac.
6. Pritisnite taster "ON/OFF" i taster "ICE" počinje da svetli ujednačeno.
7. Ciklus pravljenja leda traje u proseku od 7 do 15 minuta, u zavisnosti od ambijentalne temperature i temperature vode.
8. Ciklus pravljenja leda započinje upumpavanjem vode u posudu za led, koja se nalazi ispod isparivača. Tokom narednih 7-15 minuta formira se led na isparivaču. Nakon što se taj proces završi, posuda za led se nagnje unazad, a preostala voda u posudi za led se istače nazad u rezervoar za vodu. Kocke leda zatim padaju sa isparivača i bivaju izgurane lopatom za led napred u korpu za led. Posuda za led se automatski vraća na mesto ispod isparivača i počinje sledeći ciklus.
9. Indikator "ICE FULL/ NAPUNJEN LED" počinje da svetli kada je korpa za led puna, a zatim ciklus pravljenja leda automatski prestaje. Kašikom za led nežnim pokretima sklonite led iz korpe za led. Za oko 7,5 sekundi kasnije, aparat za pravljenje leda automatski ponovo započinje sa funkcijom pravljenja leda.
10. Indikator "ADD WATER/ DODAVANJE VODE" počinje da svetli kada u rezervoaru nema dovoljno vode i ciklus pravljenja leda automatski prestaje. Ukoliko zaboravite da restarujete (ponovo pustite u rad) uređaj nakon što ste dodali vodu, uređaj automatski počinje ponovo sa radom nakon otprilike 20 minuta.
11. Kada dobijete željenu količinu leda, pritiskom na taster "ON/OFF" prekinite ciklus pravljenja leda i isključite uređaj iz zidne utičnice.
12. Otvorite gornji poklopac i prebacite led u zamrzivač.
13. Pustite da se temperatura uređaja ujednači sa sobnom temperaturom.
14. Preporučljivo je da svake nedelje menjate vodu. Ispraznite rezervoar za vodu ukoliko uređaj ne koristite duži vremenski period.

ČIŠĆENJE I ODRŽAVANJE

Preporučljivo je da uređaj čistite jednom nedeljno kako bi led zadržao dobar ukus, a uređaj dobar izgled.

1. Zaustavite ciklus pravljenja leda pritiskom na taster "ON / OFF", isključite aparat za

led iz zidne utičnice i ostavite ga da se zagreje do sobne temperature.

2. Ukoliko se u posudi za led nađe zaostala voda, lagano gurnite unazad posudu za led tako da sva voda isteče u rezervoar za vodu.

3. Udaljite uređaj 60 mm od radne ploče i otvorite odvodni čep kako biste ispustili višak vode (Slike 4, 5 i 6).

4. Pomerite korpu za led.

5. Očistite unutrašnjost aparata za pravljenje leda mekom krpom natopljenom toplom vodom i sirćetom, isperite čistom vodom, a zatim ocedite svu vodu.

6. Vratite odvodni čep na njegovo mesto. Korpu i kašiku za led operite toplom, sapunjavom vodom. Dobro ih isperite i osušite.

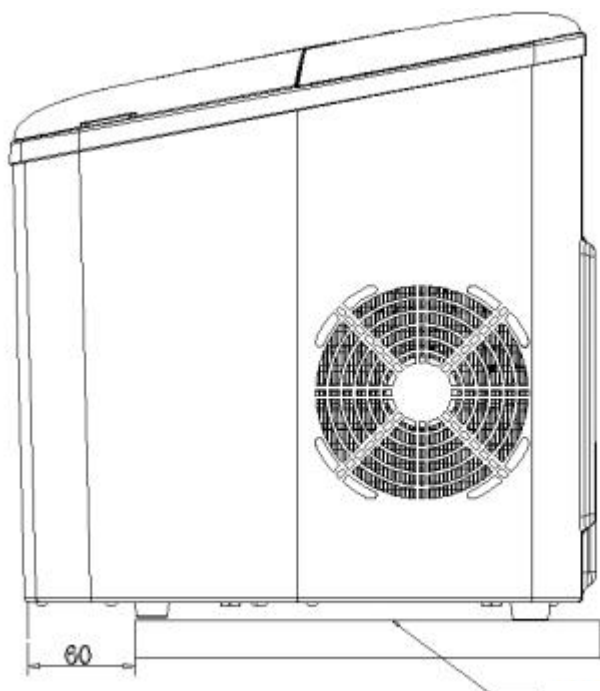
7. Spoljašnjost aparata za pravljenje leda obrišite mekom, vlažnom krpom. Ukoliko je neophodno, možete upotrebiti tečnost za sudove.

NAPOMENA:

1) Za čišćenje uređaja nemojte koristiti organske rastvarače, ključalu vodu, deterdžent, jaka kisela i alkalna sredstva i slično.

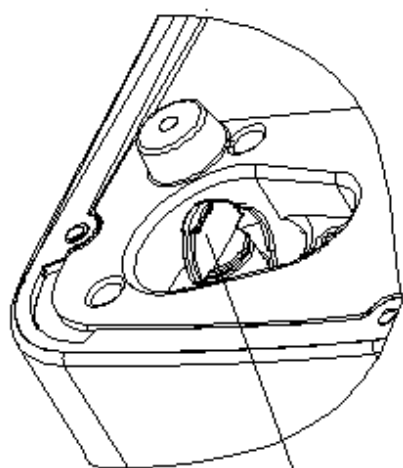
2) Ne čistite isparivač.

8. Ispraznite rezervoar za vodu i osušite ga, pre nego što odložite uređaj ukoliko ne planirate da ga koristite duži vremenski period.



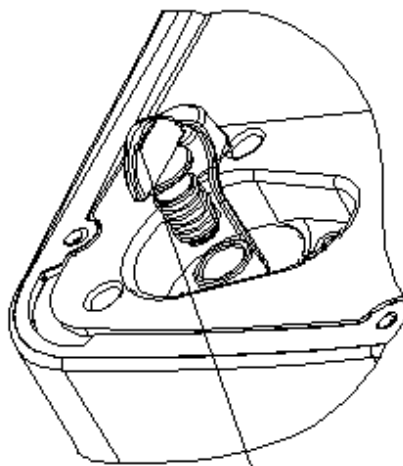
Radna ploča

(S1.4)



Odvodni čep

(SI.5)



Odvodni čep

(SI.6)

REŠAVANJE PROBLEMA

Problem	Mogući uzroci	Rešenje
Uključuje se indikator za "ADD WATER" / Dodavanje vode	<ol style="list-style-type: none"> 1. Malo vode ili nedostatak vode. 2. Ekran za vodu na dnu rezervoara je blokiran. 3. Kvar na pumpi. 	<ol style="list-style-type: none"> 1. Prekinite pravljenje leda, dodajte vodu, a zatim pritisnite taster "ON/OFF" da biste restartovali ciklus pravljenja leda. 2. Očistite. 3. Odnosite uređaj u ovlašćeni servis na popravku.
Uključuje se indikator "ICE FULL" / Napunjen led	<ol style="list-style-type: none"> 1. Korpa za led je puna i infracrveno svetlo je blokirano ledom. 2. Prijemna i emitirajuća dioda sa infracrvenim svetlom ne rade. 	<ol style="list-style-type: none"> 1. Uklonite led iz korpe za led. 2a. Obrišite prijemnu i emitirajuću diodu sa infracrvenim svetlom i restartujte uređaj. 2b. Pozovite ovlašćeni servisni centar ukoliko prijemna i emitirajuća dioda i dalje ne rade nakon što ste ih obrisali i resetovali uređaj.

Led ispada u gomili / Zalepljenje kocke leda	Pravljenje leda traje predugo.	Prekinite pravljenje leda i nakon što se led otopi, restartujte uređaj.
	Voda u rezervoaru je previše niske temperature.	Napunite rezervoar za vodu vodom koja je temperature između 8°C i 25°C.
Ciklus pravljenja leda izgleda normalno, ali nema leda	Ambijentalna temperatura ili temperatura vode je previše visoka.	Započnite ciklus pravljenja leda na temperaturi od 32°C i napunite rezervoar hladnom vodom.
	Rashladni sistem curi.	Pozovite korisnički servis.
	Rashladni sistem je blokiran.	Pozovite korisnički servis.
Loši rezultati pravljenja leda	<ol style="list-style-type: none"> 1. Slaba disipacija toplote. 2. Temperatura vode je previsoka. 3. Ambijentalna temperatura je previsoka. 	<ol style="list-style-type: none"> 1. Ostavite prazan prostor od po 15 cm sa svake strane uređaja, radi dobre ventilacije. 2. Napunite rezervoar vodom koja je temperature između 8°C i 28°C. 3. Ambijentalna temperatura uređaja koji radi treba da je između 10°C i 32°C.

TEHNIČKI PARAMETRI

Model: EM2100

Prikladni klimatski uslovi: ST/SN/N/T

Klasa: I

Izvor napajanja: 220-240V/50Hz

Nominalna snaga: 120W

Rashladno sredstvo/Količina rashladnog sredstva: R600a/23g

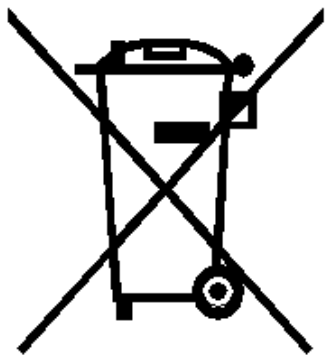
Sredstvo za penu: C₅H₁₀

Neto težina: 8.3Kg

Kućište: PP

Dimenzije uređaja (D/ Dubina x W/ Širina x H/ Visina) : 310*230*325mm

EKOLOŠKO ODLAGANJE



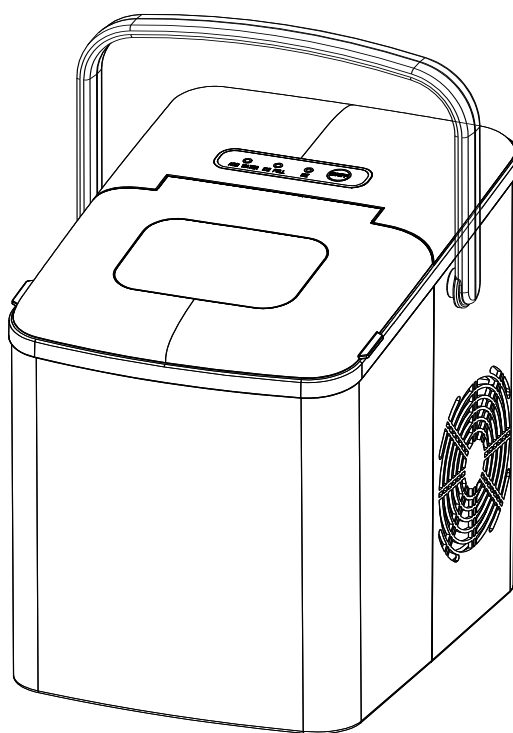
Možete pomoći zaštititi životne sredine! Poštujte lokalne propise: neispravnu električnu opremu predajte odgovarajućem centru za odlaganje otpada.



ESP

FABRICADOR DE HIELO

MANUAL DE USUARIO



EM2100


Por

INSTRUCCIONES IMPORTANTES DE SEGURIDAD

Para reducir el riesgo de incendio, explosión, descarga eléctrica o lesiones al usar su máquina de hielo, siga estas importantes instrucciones de seguridad:

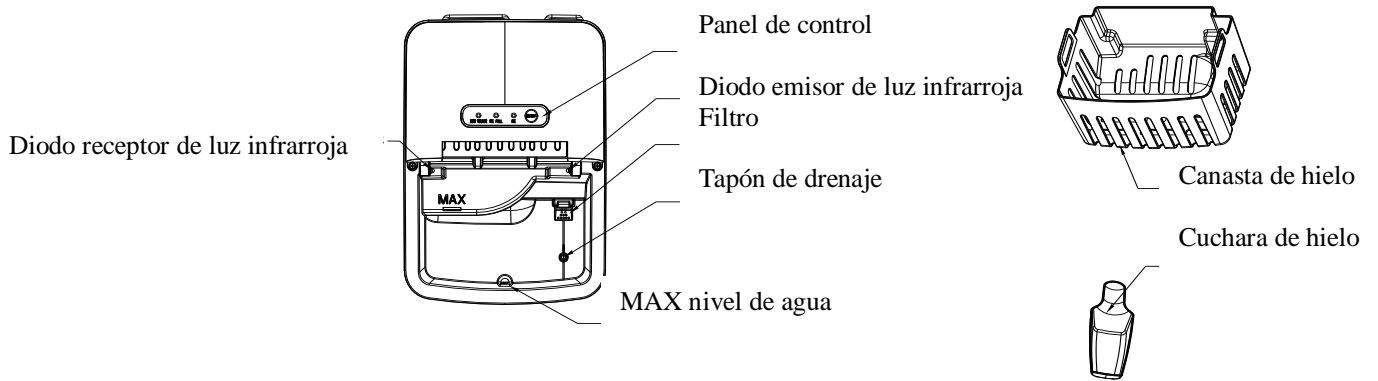
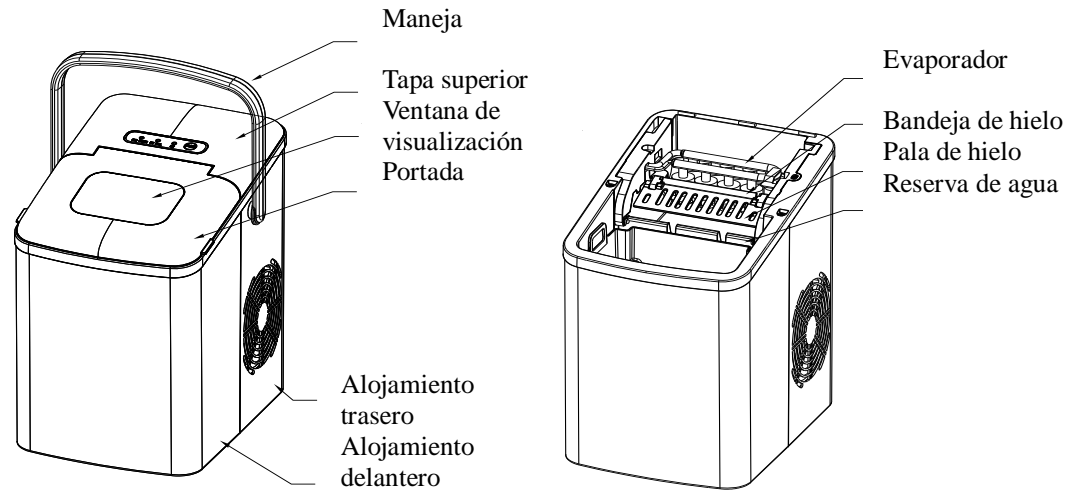
1. Antes de usar, verifique si la tensión de alimentación corresponde a la que se muestra en la placa de identificación del aparato.
2. No quite ninguna etiqueta de seguridad, advertencia o información del producto de su fábrica de hielo.
3. Enchufe el fabricante de hielo en una toma de corriente exclusiva con conexión a tierra. Ningún otro aparato debe enchufarse a la toma de corriente. Asegúrese de que el enchufe esté completamente insertado en el receptáculo.
4. Este aparato debe estar conectado a tierra. Tiene un cable de alimentación con un enchufe a tierra. El enchufe debe estar enchufado a un tomacorriente que esté correctamente instalado y conectado a tierra.
5. Evite el uso de un cable de extensión porque puede sobrecalentarse y provocar un riesgo de incendio. Sin embargo, si es necesario usar un cable de extensión:
 - 1) Use solo un cable de extensión con enchufe a tierra.
 - 2) La clasificación marcada de un cable de extensión debe ser igual o mayor que la clasificación de este aparato.
 - 3) Debe colocarse de manera que no cuelgue sobre el mostrador o la mesa donde los niños puedan jalarlo intencionalmente.
6. No opere el electrodoméstico con un cable o enchufe dañado o después de que el electrodoméstico no funcione correctamente o se haya dañado de alguna manera. Devuelva el aparato al centro de servicio autorizado más cercano para su prueba, reparación o ajuste.
7. Si el cable de alimentación está dañado, debe ser reemplazado por el fabricante o su agente de servicio o por una persona calificada de manera similar para evitar cualquier peligro.

8. Para los aparatos que usan gases de soplado de aislamiento inflamable, las instrucciones deben incluir información sobre la eliminación del aparato.
9. No permita que el cable cuelgue del borde de una mesa o mostrador.
10. No lo coloque sobre o cerca de un quemador de gas o eléctrico caliente, o en un horno caliente.
11. Coloque el cable de alimentación de manera que los niños no puedan tirar de él o pueda causar un peligro de tropiezo.
12. Coloque el cable de alimentación no está en contacto con superficies calientes.
13. El uso de accesorios no recomendados o vendidos por el fabricante puede causar incendios, descargas eléctricas o lesiones.
14. No toque el evaporador cuando use la fábrica de hielo o haga hielo para evitar sufrir congelación.
15. No sumerja ninguna parte del aparato en agua.
16. Para desconectar, coloque cualquier control en "APAGADO", luego retire el enchufe de la toma de corriente.
17. No enchufe ni desenchufe el aparato con las manos mojadas.
18. Desenchufe el aparato antes de limpiarlo, conservarlo y cuando no esté en uso.
19. No lo use con agua que sea microbiológicamente insegura o de calidad desconocida.
20. No limpie el aparato con líquidos inflamables. Los vapores pueden crear un peligro de incendio o explosión.
21. No vuelque el fabricante de hielo. Si la máquina de hielo se vuelca accidentalmente, haga que permanezca en reposo durante 2 horas antes de volver a encenderla.
22. Si trae la máquina de hielo desde el exterior durante el invierno, no la use por algunas horas, deje que la unidad se caliente a temperatura ambiente antes de operarla.
23. Nunca coloque artículos inflamables, explosivos y corrosivos en la máquina de hielo.
24. Nunca use el fabricante de hielo cuando haya una fuga de gas inflamable.
25. Nunca almacene o use gas y otros artículos inflamables cerca de la fábrica de hielo para evitar incendios.
26. Desenchufe la fábrica de hielo antes de moverla para evitar dañar el sistema de refrigeración.
27. No intente desarmar, reparar, modificar o reemplazar ninguna parte de su producto.

28. Los niños no necesitan jugar con el aparato.
29. Este aparato puede ser utilizado por niños de 8 años en adelante y personas con capacidades físicas, sensoriales o mentales reducidas o falta de experiencia y conocimiento solo si se les ha dado supervisión o instrucciones sobre el uso del aparato de manera segura y entender los peligros involucrados
30. Los niños no deben realizar la limpieza y el mantenimiento sin supervisión.
31. Es necesaria una supervisión estricta cuando cualquier electrodoméstico es usado por niños o cerca de ellos.
32. No deje el aparato desatendido mientras esté en uso.
33. No lo use al aire libre.
34. No utilice el aparato para ningún otro propósito que no sea el uso previsto.
35. Deseche el fabricante de hielo de acuerdo con los reguladores locales con respecto a la eliminación del aparato, ya que utiliza gases y refrigerantes inflamables.
36. ADVERTENCIA: Llene solo con agua potable.
37. ADVERTENCIA: Mantenga las aberturas de ventilación en el gabinete del electrodoméstico o en la estructura incorporada sin obstrucciones.
38. ADVERTENCIA: No utilice dispositivos mecánicos u otros medios para acelerar el proceso de descongelación, que no sean los recomendados por el fabricante.
39. ADVERTENCIA: No dañe el circuito refrigerante.
40. ADVERTENCIA: No use aparatos eléctricos dentro de los compartimientos de almacenamiento de alimentos del aparato, a menos que sean del tipo recomendado por el fabricante.
41. No almacene sustancias explosivas como latas de aerosol con un propulsor inflamable en este aparato.
42.  Advertencia: Riesgo de incendio / materiales inflamables.
43. ADVERTENCIA: Al colocar el aparato, asegúrese de que el cable de alimentación no quede atrapado o dañado.
44. ADVERTENCIA: No ubique múltiples tomas de corriente portátil.
45. Este aparato está diseñado para ser utilizado en condiciones domésticas y similares, tales como:
- áreas de cocina del personal en tiendas, oficinas y otros entornos de trabajo;
 - casas rurales;

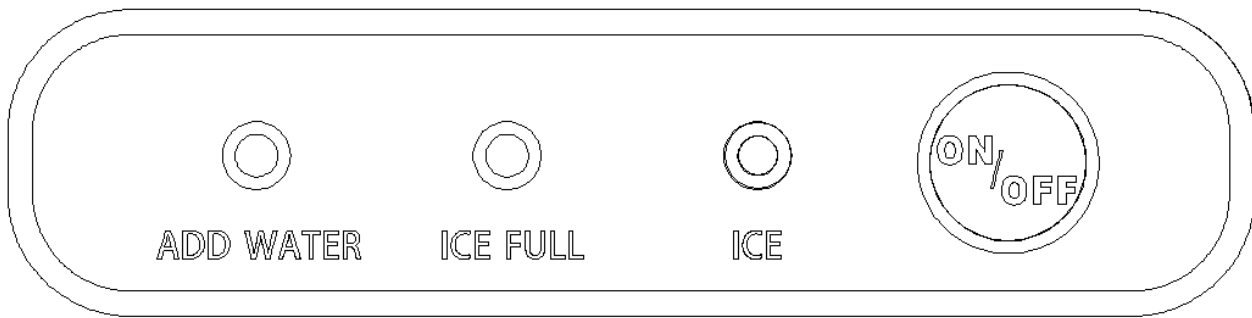
- Hoteles, moteles y entornos similares;
 - Otro alojamiento tipo Bed and Breakfast.
 - Catering y aplicaciones similares no minoristas.
46. Guarde estas instrucciones.

CONOZCA SU FABRICADOR DE HIELO



(Product may be subject to change without prior notice)

PANEL DE CONTROL



Llave (con el indicador)	Función
ON/OFF	Arranque o pare el aparato; Pulsación larga para limpiar ;
HIELO	Modo de espera: el indicador "ICE" parpadea; Condición de limpieza: el indicador "ICE" parpadea en el modo más rápido ; Condiciones de trabajo: el indicador "ICE" se ilumina de forma continua.
HIELO COMPLETO	“HIELO COMPLETO” indicador se ilumina cuando la canasta de hielo está llena.
AGREGAR AGUA	“AGREGAR AGUA” indicador se ilumina cuando el tanque de agua carece de agua.

ANTES DEL PRIMER USO

1. Desembale el aparato, luego verifique y asegúrese de que todos los accesorios, incluyendo la canasta de hielo y la cuchara para hielo, etc. estén completos. Póngase en contacto con el departamento de servicio al cliente si faltan algunos accesorios.
2. Siga la operación que se detalla a continuación para instalar el mango bien en su posición.

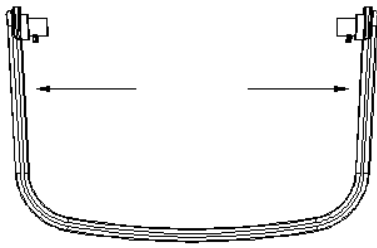


Fig.1

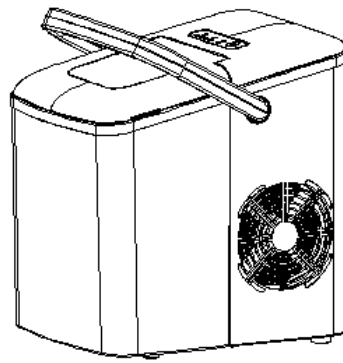


Fig.2

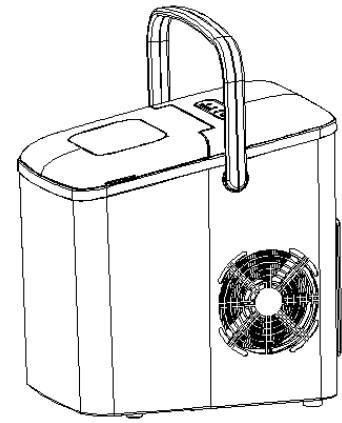


Fig.3

- 1) Sujete ambos lados del mango que se muestra en flechas con las manos y jálelos hacia afuera (vea la Fig. 1).
 - 2) Haga que la manija se alinee con los orificios de la carcasa y suelte las manos, luego inserte la manija en los orificios de la carcasa (consulte la Fig.2).
 - 3) Tire y haga que el mango esté en posición vertical, y luego jale ambos lados del mango hacia afuera siguiendo la operación del Paso 1). Verifique y asegúrese de que la manija esté bien posicionada en los orificios de la carcasa.
 - 4) Sostenga el centro del mango y levántelo hacia arriba (consulte la Fig. 3), verifique y asegúrese de que no se encuentre ninguna condición anormal.
3. Asegúrese de que el fabricante de hielo esté nivelada y sobre una mesa o plataforma estable para evitar un mal funcionamiento.
4. El ángulo de inclinación del gabinete de la máquina de hielo no debe exceder los 45 ° durante el transporte o uso. No ponga el fabricante de hielo al revés ya que podría hacer que el compresor o el sistema de refrigeración funcionen incorrectamente. Espere a que los fluidos en el compresor se asienten después de mover o transportar la fábrica de hielo. Antes de usar la fábrica de hielo por primera vez, espere 2 horas después de que la unidad se haya nivelada y colocada en un lugar adecuado.
5. El aparato debe colocarse en una superficie seca y nivelada con suficiente ventilación, lejos de fuentes de calor como hornos, calentadores y gases corrosivos. Deje un espacio libre de aproximadamente 15 cm (6 pulgadas) en todos los lados de la fábrica de hielo para una ventilación adecuada.
6. No llene el depósito de agua con agua caliente. Esto puede dañar el fabricante de hielo.

Es mejor llenar el depósito de agua con agua a temperatura ambiente o inferior.

7. No utilice el aparato en un ambiente demasiado frío (inferior a 5 °C).

8. Limpie el aparato antes de usarlo siguiendo las instrucciones "LIMPIEZA Y MANTENIMIENTO".

USO DE SU FABRICADOR DE HIELO

1. Asegúrese de que el tapón de drenaje en la parte inferior del depósito de agua esté bien cerrado.

2. Enchufe la fábrica de hielo en la toma de corriente de la pared, el indicador "ICE" parpadeará.

NOTA: Deje que el fabricante de hielo descanse durante 30 minutos antes de enchufarla si se ha movido.

3. Abra la tapa superior y retire la canasta de hielo.

4. Llene el depósito de agua con agua potable.

NOTA: No llene por encima de la marca de nivel de agua MÁX.

5. Vuelva a colocar la canasta de hielo y cierre la tapa superior.

6. Presione la tecla "ON / OFF" y el indicador "ICE" se encenderá de manera continua.

7. El ciclo de fabricación de hielo durará aproximadamente 7-15 minutos, dependiendo de la temperatura ambiente y la temperatura del agua.

8. El ciclo de fabricación de hielo comienza con el bombeo de agua en la bandeja de hielo situada debajo del evaporador. Durante los siguientes 7-15 minutos se forma hielo en el evaporador. Una vez que esto se haya completado, la bandeja de hielo se inclinará hacia atrás y el agua restante en la bandeja de hielo se drenará nuevamente dentro del depósito de agua. Los cubitos de hielo se dejan caer del evaporador y la pala los empuja hacia la canasta de hielo. La bandeja de hielo volverá automáticamente a su posición debajo del evaporador y comenzará el siguiente ciclo.

9. El indicador "ICE FULL" se iluminará cuando la canasta de hielo esté llena y luego la fábrica de hielo detendrá el ciclo de fabricación de hielo automáticamente. Retire suavemente el hielo de la canasta de hielo con la cuchara para hielo. Aproximadamente 7,5 segundos después, la fábrica de hielo reiniciará su función de fabricación de hielo automáticamente.

10. El indicador "AGREGAR AGUA" se encenderá cuando el depósito de agua no tenga agua y el ciclo de fabricación de hielo se detendrá automáticamente. Si es así, retire la canasta de hielo y agregue agua al depósito de agua y luego presione la tecla "ON / OFF" nuevamente para reiniciar el ciclo de fabricación de hielo. El dispositivo comenzará a funcionar automáticamente después de unos 20 minutos si el operador olvida reiniciar el dispositivo después de volver a llenarlo.
11. Cuando obtenga la cantidad deseada de hielo, detenga el ciclo de fabricación de hielo presionando la tecla "ENCENDIDO / APAGADO" y desconecte la unidad de la toma de corriente.
12. Abra la tapa superior y transfiera el hielo a un congelador.
13. Permita que la fábrica de hielo alcance la temperatura ambiente.
14. Sugiera reemplazar el agua cada semana. Vacíe el depósito de agua si el fabricante de hielo no se utiliza durante mucho tiempo.

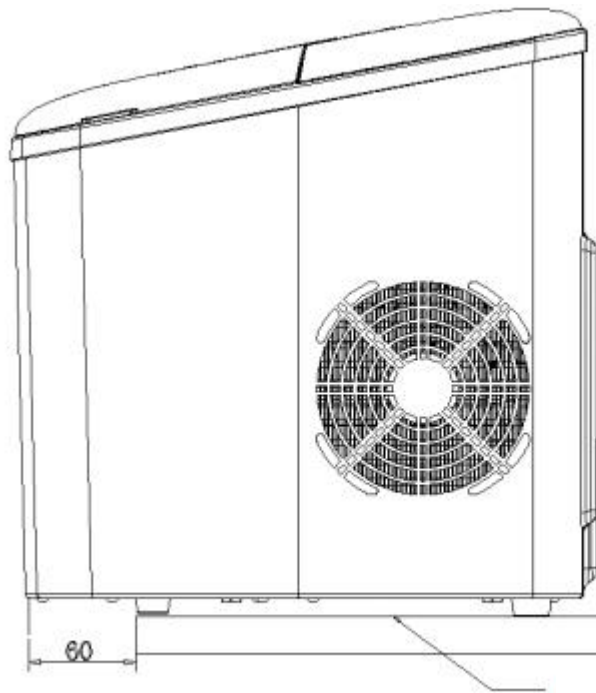
LIMPIEZA Y MANTENIMIENTO

Para mantener su sabor de hielo fresco y su máquina de hielo luciendo excelente, recomendamos limpiar su máquina de hielo una vez por semana.

1. Detenga el ciclo de fabricación de hielo presionando la tecla "ENCENDIDO / APAGADO", desenchufe la fábrica de hielo de la toma de corriente y permita que se caliente a temperatura ambiente.
2. Si encuentra agua residual en la bandeja de hielo, empuje suavemente la bandeja de hielo hacia atrás para que toda el agua drene en el depósito de agua.
3. Mueva el aparato hacia adelante a un lugar a 60 mm de la mesa de trabajo y abra el tapón de drenaje para drenar el exceso de agua (ver Fig.4, Fig.5 y Fig.6).
4. Retire la canasta de hielo.
5. Limpie el interior de la fábrica de hielo con un paño suave humedecido con agua tibia y vinagre, enjuague con agua limpia y luego drene toda el agua.
6. Vuelva a colocar el tapón de drenaje en su lugar. Lave la canasta de hielo y la cuchara de hielo con agua jabonosa tibia. Enjuague y seque.
7. Limpie el exterior de la fábrica de hielo con un paño suave y húmedo. Use un jabón suave para lavar platos, si es necesario.

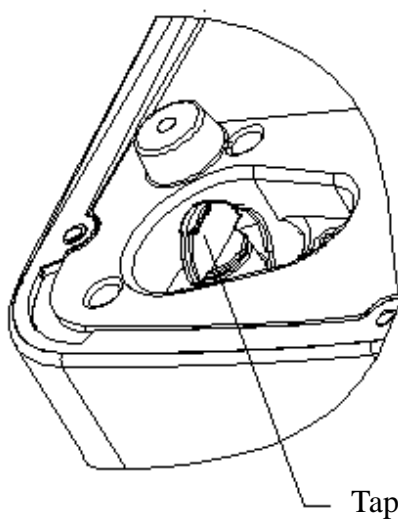
NOTA:

- 1) No utilice solventes orgánicos, agua hervida, detergente, ácido fuerte y álcali fuerte, etc. para la limpieza.
- 2) No limpie el evaporador.
8. Vacíe el depósito de agua y séquelo para almacenarlo si la máquina de hielo no se usa durante mucho tiempo.



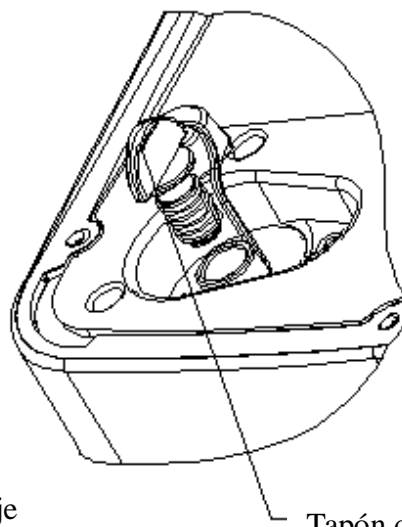
Mesa de trabajo

(Fig.4)



Tapón de drenaje

(Fig.5)



Tapón de drenaje

(Fig.6)

SOLUCIÓN DE PROBLEMAS

Problema	Posibles causas	Solución
El indicador "AGREGAR AGUA" se enciende	<ol style="list-style-type: none"> 1. Bajo nivel de agua o falta de agua. 2. La pantalla de agua en el fondo del depósito de agua está bloqueada. 3. Mal funcionamiento de la bomba. 	<ol style="list-style-type: none"> 1. Deje de hacer hielo, vuelva a llenar de agua y luego presione la tecla "ON / OFF" para reiniciar el ciclo de fabricación de hielo. 2. Limpie. 3. Envíelo al servicio autorizado para su reparación.
El indicador "ICE FULL" se ilumina	<ol style="list-style-type: none"> 1. La canasta de hielo está llena y la luz infrarroja está bloqueada por el hielo. 2. El diodo emisor de luz infrarroja y el diodo receptor de luz no funcionan. 	<ol style="list-style-type: none"> 1. Retire el hielo de la canasta de hielo. 2a. Limpie los objetos desconocidos en el diodo emisor de luz infrarroja y el diodo receptor de luz y reinicie la fábrica de hielo. 2b. Llame al Servicio al cliente si el diodo emisor de luz infrarroja y el diodo receptor de luz aún no pueden funcionar después de limpiar objetos desconocidos y reinicie la fábrica de hielo.
El hielo se junta	Hacer hielo lleva demasiado tiempo.	Deje de hacer hielo y reinicie el ciclo de fabricación de hielo después de que el hielo se derrita.
	El agua en el depósito de agua está a una temperatura demasiado baja..	Llene el depósito de agua con rangos de agua entre 8 °C y 25 °C.

El ciclo de fabricación de hielo parece normal pero no se produce hielo.	La temperatura ambiente o la temperatura del agua son demasiado altas.	Inicie el ciclo de fabricación de hielo en el entorno con una temperatura ambiente inferior a 32 ° C y llene el depósito de agua con agua fría.
	El sistema de refrigeración tiene fugas.	Lláme al Servicio al cliente.
	Bloques del sistema de refrigeración.	Lláme al Servicio al cliente.
Mal resultado de fabricación de hielo	<p>1.1. Mala disipación de calor.</p> <p>2.2. La temperatura del agua es demasiado alta.</p> <p>3.3. La temperatura ambiente es demasiado alta.</p>	<p>1. Deje un espacio libre de 6 pulgadas en todos los lados de la fábrica de hielo para una ventilación adecuada.</p> <p>2. Llene el depósito de agua con rangos de agua entre 8 y 28 ° C.</p> <p>3. Opere la fabricación de hielo en un ambiente con una temperatura ambiente entre 10 y 32 ° C.</p>

PARÁMETROS TÉCNICOS

Modelo: EM2100

Clima aplicable: ST/SN/N/T

Clase: I

Fuente de alimentación: 220-240V/50Hz

Potencia nominal: 120W

Refrigerante / Cantidad de refrigerante: R600a/23g

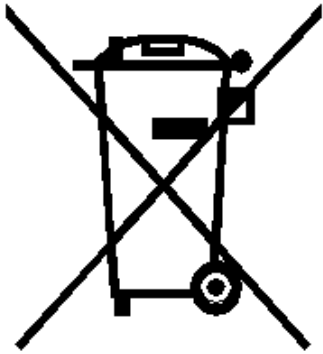
Agente espumante: C₅H₁₀

Neto peso: 8.3Kg

Alojamiento: PP

Tamaño de la unidad (D x W x H) : 310*230*325mm

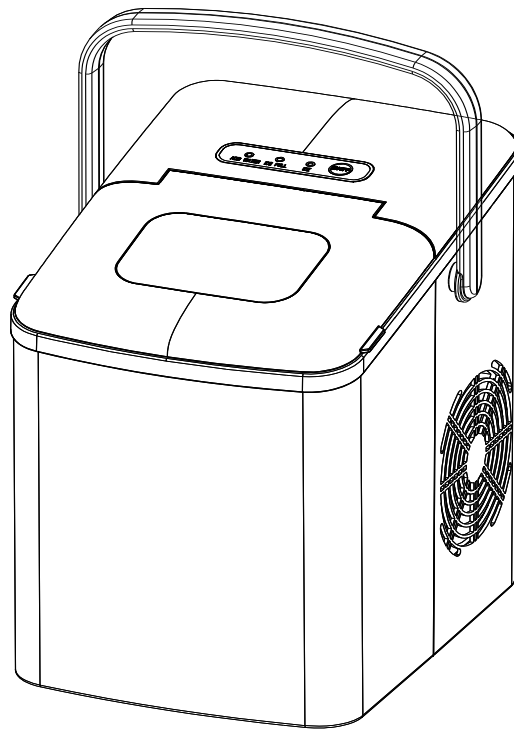
MEDIO AMBIENTE ELIMINACIÓN



¡Puede ayudar a proteger el medio ambiente!
Recuerde respetar las normativas locales: entregue los cables eléctricos que no funcionan equipo a un centro de eliminación de residuos apropiado.

MÁQUINA DE GELO

MANUAL DE INSTRUÇÕES



EM2100

Leia atentamente este manual e guarde-o para futuras necessidades

INSTRUÇÕES DE SEGURANÇA IMPORTANTES

Siga as instruções de segurança abaixo apresentadas, para sua segurança e para evitar ou reduzir riscos de incêndio, explosão, choque eléctrico ou lesões causadas pelo uso da máquina de fazer gelo:

1. Antes de usar, verifique se a voltagem corresponde à exibida na placa de identificação do aparelho.
2. Não remova as etiquetas de segurança, aviso ou informações sobre o produto da sua máquina de gelo.
3. Ligue a máquina de gelo a uma tomada com ligação terra exclusiva. Nenhum outro aparelho deve ser conectado à mesma tomada. Certifique-se de que a ficha esta totalmente inserida na tomada.
4. Este aparelho deve ter ligação terra e é equipado com um cabo de alimentação terra. A ficha deve ser ligada a uma tomada devidamente instalada e com ligação terra.
5. Evite o uso de um cabo de extensão, pois pode sobreaquecer e criar risco de incêndio. No entanto, se for necessário usar um cabo de extensão:
 - 1) Use apenas uma extensão com ficha terra.
 - 2) A classificação marcada de um cabo de extensão deve ser igual ou superior à classificação deste aparelho.
 - 3) Deve ser posicionado de forma que não fique pendurado sobre o balcão ou sobre a mesa onde possa ser puxado intencionalmente por crianças.
6. Não opere o aparelho com um cabo ou ficha danificados, após um mau funcionamento do aparelho ou que tenha sido danificado de alguma maneira. Devolva o aparelho ao serviço de assistência autorizado mais próximo para verificação, reparo ou ajuste.
7. Se o cabo de alimentação estiver danificado, deve ser substituído pelo fabricante ou pelo seu agente de serviço ou por uma pessoa com qualificação semelhante e a fim de evitar qualquer risco.
8. Para os aparelhos que utilizam gases inflamáveis com isolamento inflamável, as instruções devem incluir informações sobre o descarte do aparelho.
9. Não deixe o cabo pendurado na borda de uma mesa ou balcão.
10. Não coloque em cima ou próximo de aquecedores a gás ou a electricidade ligados ou fornos aquecidos.

11. Coloque o cabo de alimentação de forma a que não possa ser puxado por crianças ou causar risco de tropeçar.
12. Coloque o cabo de alimentação de forma a evitar o contacto com superfícies quentes.
13. O uso de acessórios não recomendados ou vendidos pelo fabricante pode causar incêndio, choque eléctrico ou ferimentos.
14. Não toque no evaporador quando ligar o aparelho ou estiver a fazer gelo para evitar sofrer queimaduras na pele causadas por gelo.
15. Não mergulhe nenhuma parte do aparelho em água.
16. Para desconectar, gire qualquer controle para “OFF” e remova a ficha da tomada.
17. Não conecte ou desconecte o aparelho com as mãos molhadas.
18. Desconecte o aparelho antes de limpeza, manutenção ou apenas quando não estiver em uso.
19. Não utilize água microbiologicamente insegura ou de qualidade desconhecida.
20. Não limpe o aparelho com líquidos inflamáveis, pois os vapores podem criar risco de incêndio ou explosão.
21. Não vire a máquina de fazer gelo, se a máquina se derrubar acidentalmente, coloque-a na posição normal e mantenha-a firme por 2 horas antes de voltar a ligar.
22. Se a máquina de gelo for colocada no exterior durante o inverno não a utilize durante algumas horas. Recoloque-a no interior e deixe-a aquecer a temperatura ambiente antes de voltar a ligar.
23. Nunca coloque artigos inflamáveis, explosivos e corrosivos na máquina de fazer gelo.
24. Nunca use a máquina de fazer gelo se houver vazamento de gás inflamável.
25. Nunca armazene ou use gás e outros artigos inflamáveis perto da máquina de gelo para evitar incêndio.
26. Desligue a máquina de fazer gelo antes de a mover para evitar danos no sistema de refrigeração.
27. Não tente desmontar, reparar, modificar ou substituir qualquer parte do seu aparelho.
28. As crianças não devem brincar com o aparelho.
29. Este aparelho pode ser usado por crianças com idade igual ou superior a 8 anos de idade e por pessoas com capacidades físicas, sensoriais ou mentais reduzidas ou falta de experiência e conhecimento, mas somente se receberem supervisão ou instrução sobre

como utilizar o aparelho de maneira segura e tiver entendido os riscos e perigos envolvidos

30. Limpeza e a manutenção não devem ser feitas por crianças sem supervisão de um adulto.

31. É necessária uma supervisão cuidadosa sempre que o aparelho for usado por crianças ou estiver ligado e próximo delas.

32. Não deixe o aparelho sem vigilância enquanto estiver em uso.

33. Não use o aparelho ao ar livre.

34. Não use o aparelho para outros fins que não o definido.

35. Descarte a máquina de gelo de acordo com as regulamentações locais em relação à reciclagem do aparelho, dado que este possui gás inflamável e refrigerante.

36. AVISO: Encha apenas com água potável.


37. AVISO: Mantenha desobstruídas as aberturas para ventilação presentes no corpo do aparelho ou na estrutura interna.

38. AVISO: Não use dispositivos mecânicos ou outros meios para acelerar o processo de descongelamento, além dos recomendados pelo fabricante.

39. AVISO: Não danifique o circuito do refrigerante.

40. AVISO: Não use aparelhos eléctricos dentro dos compartimentos de armazenamento de alimentos a menos que sejam do tipo recomendado pelo fabricante.

41. Não guarde substâncias explosivas, como latas de aerossol com um propulsor inflamável dentro deste aparelho.

42.  Aviso: Risco de incêndio / materiais inflamáveis.

43. AVISO: Ao posicionar o aparelho, verifique se o cabo de alimentação não está preso ou danificado.

44. AVISO: Não coloque várias tomadas ou extensões na parte traseira do dispositivo.

45. Este aparelho foi projectado para ser usado em aplicações domésticas e similares, como:

- áreas de cozinha para recursos humanos em lojas, escritórios e outros ambientes de trabalho;

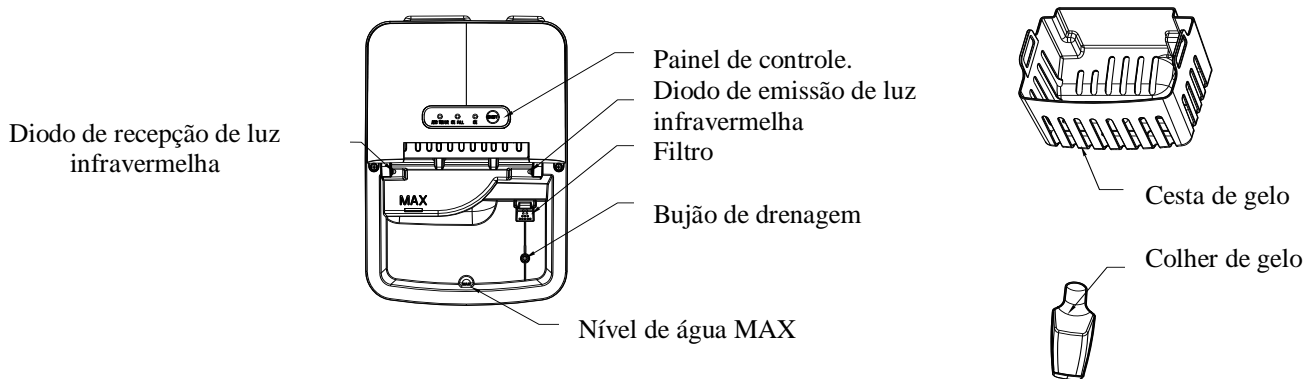
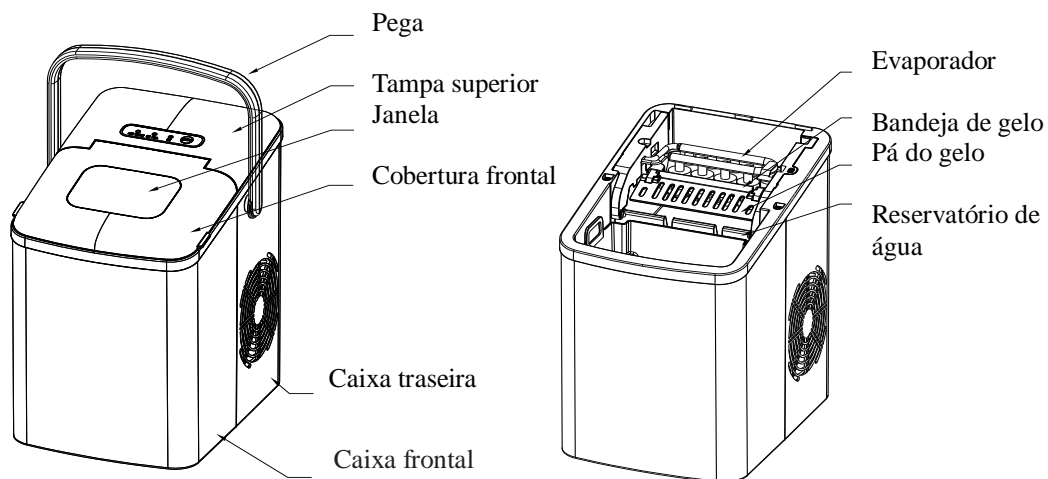
-fazendas, alojamento local e rural.

- hotéis, motéis e outros ambientes residenciais.

– catering e aplicações similares não comerciais.

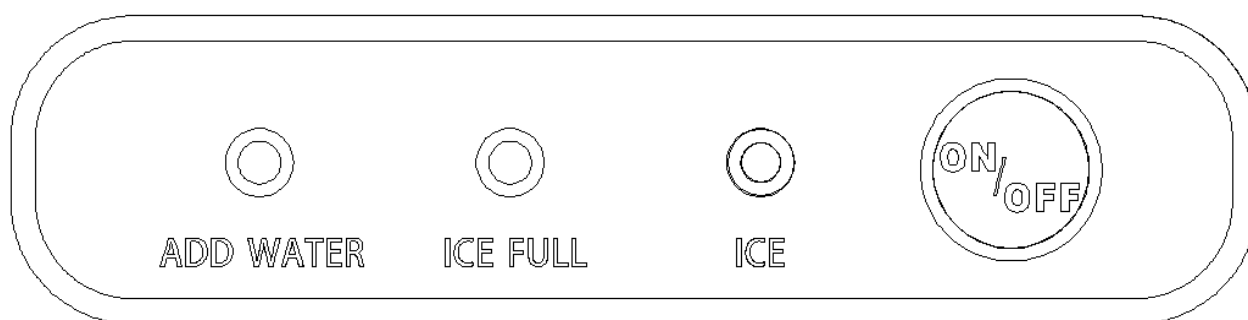
46. Guarde sempre estas instruções.

CONHEÇA A SUA MÁQUINA DE FAZER GELO



(O produto está sujeito a mudanças sem aviso prévio)

PAINEL DE CONTROLE



Indicadores - chave	Função
ON/OFF	Ligar ou desligar o aparelho; Pressionar continuamente para iniciar limpeza;
GELO	Modo de espera: o indicador “GELO” pisca; Condição de limpeza: o indicador “GELO” pisca mais rápido ; Condição de trabalho: o indicador “GELO” acende de forma sólida
CHEIO	“CHEIO”, o indicador acende quando o cesto de gelo está cheio.
ADICIONAR ÁGUA	“ADICIONAR ÁGUA”, o indicador acende quando o reservatório de água está com falta de água.

ANTES DA PRIMEIRA UTILIZAÇÃO

1. Desembale o aparelho e certifique-se que todos os acessórios estão disponíveis, incluindo a bandeja e a pá do gelo. Entre em contacto com o departamento de atendimento ao cliente se alguns acessórios estiverem em falta.

2. Para uma correcta instalação da pega, siga os seguintes passos:

1) Segure os dois lados da pega exibida nas setas com as mãos e puxe-as para fora (ver Fig.1).

2) Faça a pega alinhar com os orifícios da estrutura e solte as mãos, depois insira a pega nos orifícios da estrutura (ver Fig.2).

3) Puxe e faça a pega ficar na vertical e, de seguida, puxe os dois lados da pega para fora seguindo a operação da Etapa 1). Verifique se a pega está bem posicionada nos orifícios da estrutura.

4) Segure o centro da pega, erga-a (ver Fig.3) e verifique se não encontra nenhuma condição anormal.

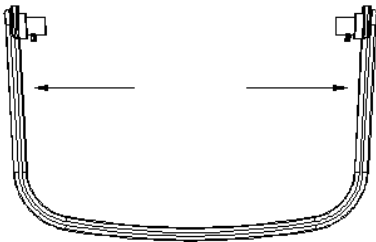


Fig.1

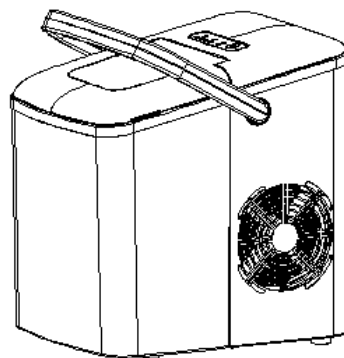


Fig.2

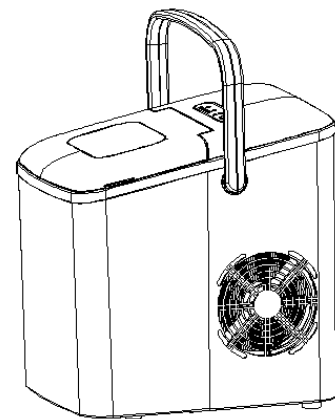


Fig.3

3. Verifique se a máquina de gelo está nivelada e sobre uma mesa ou superfície estável, para garantir um bom funcionamento.

4. O ângulo de inclinação da estrutura da máquina de gelo não deve exceder os 45 ° durante o transporte ou uso. Não vire a máquina de gelo para baixo, tal pode causar um funcionamento incorrecto do compressor ou do sistema de refrigeração. Aguarde algum tempo para que os fluidos no compressor assentem após a máquina de gelo ser movida ou transportada. Antes de usar a máquina de fazer gelo pela primeira vez, aguarde 2 horas após nivelar e posicionar o aparelho em local apropriado.

5. O aparelho deve ser colocado numa superfície seca e nivelada, com ventilação suficiente, longe de fontes de calor como fornos, aquecedores e gases corrosivos. Assegura cerca de 15 cm de espaço livre em todos os lados da máquina de gelo para garantir uma ventilação adequada.
6. Não encha o reservatório de água com água quente, tal pode danificar a máquina de gelo, use apenas água a temperatura ambiente ou um pouco fria.
7. Não use o aparelho em ambiente muito frios (abaixo de 5 °C).
8. Limpe o aparelho antes de o usar seguindo as instruções “**LIMPEZA E MANUTENÇÃO**”.

UTILIZAR A SUA MÁQUINA DE GELO

1. Verifique se o bujão de drenagem localizado na parte inferior do reservatório de água está bem fechado.
2. Conecte a máquina de gelo na tomada até o indicador “ICE” piscar.
NOTA: Caso tenha movido a máquina, deixe-a descansar durante 30 minutos antes de a ligar na tomada.
3. Abra a tampa superior e remova o cesto de gelo.
4. Encha o reservatório de água com água potável.
NOTA: Não encha acima da marca de nível "MAX".
5. Recoloque a bandeja de gelo e feche a tampa superior.
6. Pressione a tecla “ON / OFF” até o indicador “ICE” acender firmemente.
7. O ciclo de produção de gelo durará aproximadamente entre 7 a 15 minutos, dependendo da temperatura ambiente e temperatura da água.
8. O ciclo de fabricação de gelo começa com a água a ser bombeada para a bandeja de gelo situada abaixo do evaporador. Nos seguintes 7 a 15 minutos o gelo forma-se no evaporador. Uma vez concluído, a bandeja de gelo inclina-se para trás e a restante água da bandeja de gelo é drenada de volta para o reservatório de água. Os cubos de gelo são então descartados do evaporador e empurrados para a frente pela pá de gelo. A bandeja de gelo volta automaticamente à posição sob o evaporador e inicia o próximo ciclo.
9. O indicador “CHEIO” acenderá quando a bandeja de gelo estiver cheia, de seguida a máquina de gelo interromperá o ciclo de fabricação de gelo. Remova com cuidado o gelo

da bandeja com a pá de gelo. Cerca de 7,5 segundos depois, um novo ciclo reiniciará automaticamente a produção de mais gelo.

10. O indicador “ADICIONAR ÁGUA” acenderá quando o reservatório não tiver água e o ciclo de fabricação de gelo parará automaticamente. Neste caso, remova a bandeja de gelo e adicione água no reservatório e pressione a tecla “ON / OFF” novamente para reiniciar o ciclo de produção de gelo. O dispositivo começará a funcionar automaticamente após cerca de 20 minutos se o utilizar se esquecer de reiniciar o dispositivo após recarregá-lo.

11. Após obter a quantidade desejada de gelo, pare o ciclo de produção pressionando a tecla “ON / OFF” e desconecte a unidade da tomada.

12. Abra a tampa superior e transfira o gelo para o congelador.

13. Deixe a máquina de gelo atingir a temperatura ambiente.

14. Procure substituir a água uma vez por semana, esvaziando o reservatório de água se a máquina de gelo não for usada durante um longo tempo.

LIMPEZA E MANUTENÇÃO

Para manter o sabor de frescura do gelo e uma boa aparência da sua máquina, recomendamos que a limpe uma vez por semana.

1. Pare o ciclo de produção de gelo pressionando a tecla “ON / OFF”, desconecte a máquina da tomada e deixe-a aquecer até a temperatura ambiente.

2. Se a bandeja tiver alguma água residual, empurre-a com cuidado para trás, para que seja drenada para o reservatório de água.

3. Mova o aparelho para frente para um local a 60 mm da mesa de trabalho e abra o bujão de drenagem para drenar o excesso de água (ver Fig.4, Fig.5 e Fig.6).

4. Remova a bandeja de gelo.

5. Limpe o interior da máquina de gelo com um pano macio humedecido em água morna e vinagre, enxague com água limpa e depois drene toda a água.

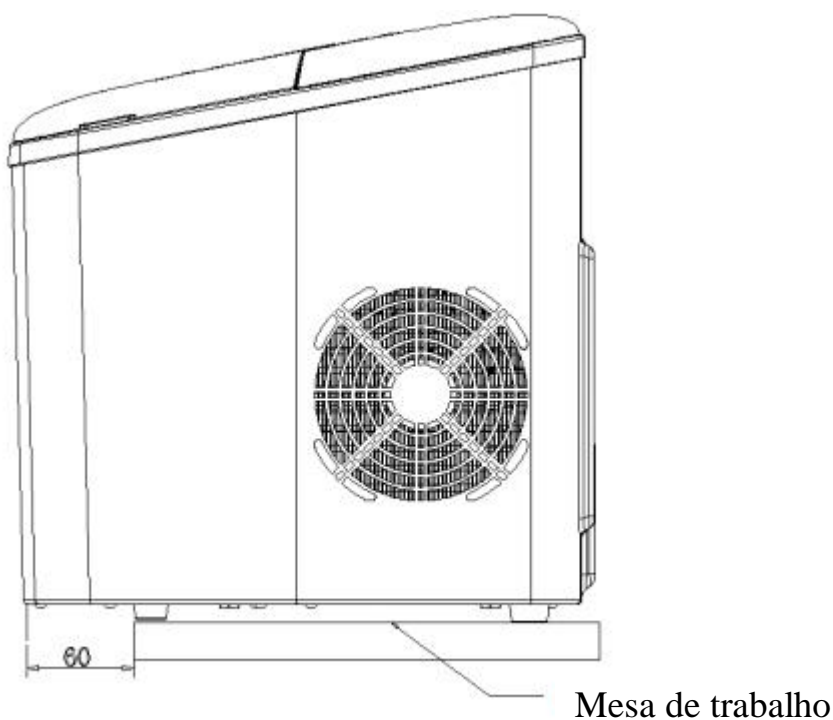
6. Recoloque o bujão de drenagem na posição. Lave a bandeja e a pá em água morna e sabão, enxague e seque.

7. Limpe a parte externa da máquina de gelo com um pano macio e húmido. Se necessário, pode utilizar detergente suave de lavar louça.

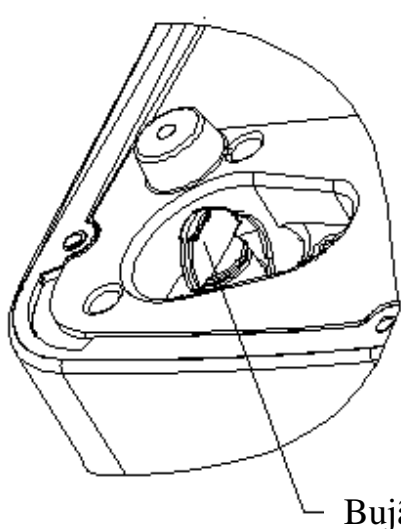
To keep your ice tasting fresh and your ice maker looking great, we recommend cleaning your ice maker once a week.

NOTA:

- 1) Para a limpeza, não use solvente orgânico, água a ferver, detergentes agressivos, ácidos fortes ou alcalinos.
- 2) Não limpe o evaporador.
8. Esvazie o reservatório de água, seque-o e armazene a máquina de gelo caso pretenda não a usar durante um longo período de tempo.

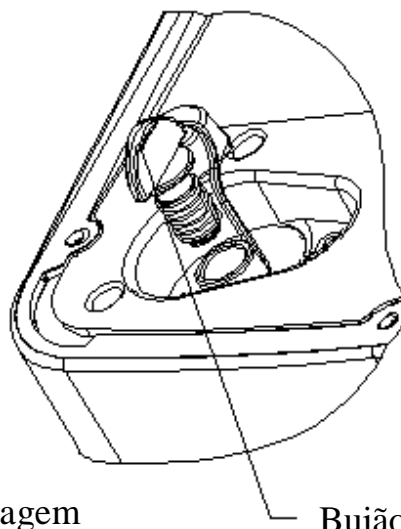


(Fig.4)



Bujão de drenagem

(Fig.5)



Bujão de drenagem

(Fig.6)

GUIA DE SOLUÇÃO DE PROBLEMAS

Problema	Causas possíveis	Solução
“ADICIONAR ÁGUA” indicador ligado	<ol style="list-style-type: none"> 1. Sem água ou com baixo nível. 2. A bandeja de água na parte inferior do reservatório está bloqueada. 3. Mau funcionamento da bomba. 	<ol style="list-style-type: none"> 1. Pare de produzir gelo, encha novamente com água e pressione a tecla “ON/OFF” para reiniciar o ciclo de produção de gelo. 2. Limpe a máquina. 3. Contacte um agente autorizado para reparação.
“CHEIO” indicador ligado	<ol style="list-style-type: none"> 1. A bandeja encheu e o gelo passou a bloquear a luz infravermelha. 2. O diodo emissor de luz infravermelha e o diodo receptor não funcionam. 	<ol style="list-style-type: none"> 1. Retire o gelo da bandeja. 2A. Limpe bem os diodos emissor e receptor de luz infravermelha e reinicie a máquina de fazer gelo. 2B. Entre em contato com o agente autorizados se os diodos emissor e receptor de luz não funcionarem mesmo após serem limpos e reiniciar a máquina.
Gelo muito pegado	A produção de gelo demorou demasiado tempo.	Pare de fazer gelo e reinicie o ciclo de produção após o gelo derreter.
	A água no reservatório está a uma temperatura demasiado baixa.	Encha o reservatório com a temperatura de entre 8°C e 25°C.
O ciclo de produção parece normal, mas não consegue produzir gelo.	A temperatura ambiente ou da água estão muito elevados.	Inicie o ciclo de produção de gelo num local com temperatura ambiente inferior a 32°C e encha o reservatório de água com um pouco de água fria.

	O sistema refrigerante pinga	Contacte o seu agente
	O sistema refrigerante bloqueia	Contacte o seu agente
Gelo com má qualidade	<ol style="list-style-type: none"> 1. Fraca dissipação de calor. 2. A temperatura da água está muito alta. 3. A temperatura ambiente está muito alta. 	<ol style="list-style-type: none"> 1. Garanta uma folga de 15 cm entre a parede e todos os lados da máquina para obter uma ventilação adequada. 2. Encha o reservatório com água com temperaturas de entre 8°C e 28°C. 3. Use a máquina num local com temperatura ambiente entre 10°C e 32°C.

PARÂMETROS TÉCNICOS

Modelo: EM2100

Clima aplicável: ST / SN / N / T

Classe: I

Fonte de energia: 220-240V / 50Hz

Potência nominal: 120W

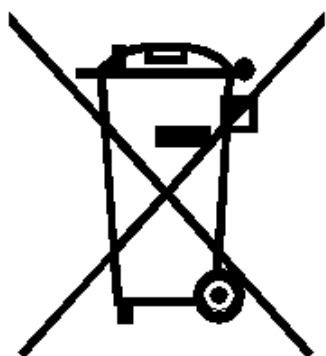
Quantidade de refrigerante: R600a / 23g

Agente de formação de espuma: C5H10

Peso líquido: 8.3Kg

Estrutura: PP

Medidas do aparelho (E x L x A): 310 * 230 * 325mm

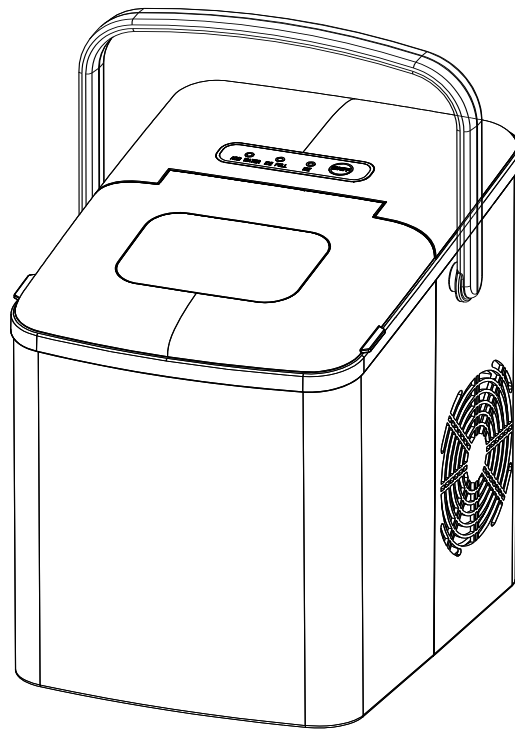


ELIMINAÇÃO AMIGA DO AMBIENTE

Pode ajudar a proteger o meio ambiente!
Lembre-se de respeitar as regulamentações locais e entregue este equipamento eléctrico em fim de vida num centro certificado para eliminação de resíduos.



ΠΑΓΟΜΗΧΑΝΗ ΟΔΗΓΙΕΣ ΧΡΗΣΗΣ



EM2100

Διαβάστε προσεκτικά αυτό το εγχειρίδιο πριν χρησιμοποιήσετε και αποθηκεύστε το για μελλοντική αναφορά

ΣΗΜΑΝΤΙΚΕΣ ΔΙΑΣΦΑΛΙΣΕΙΣ


Για να μειώσετε τον κίνδυνο πυρκαγιάς, έκρηξης, ηλεκτροπληξίας ή τραυματισμών κατά τη χρήση της συσκευής, ακολουθήστε αυτές τις σημαντικές οδηγίες ασφαλείας:

1. Πριν από τη χρήση, ελέγξτε εάν η τάση αντιστοιχεί στην τάση που αναγράφεται στην πινακίδα της συσκευής.
2. Μην αφαιρείτε τις ετικέτες ασφάλειας, προειδοποίησης ή πληροφοριών από τη παγομηχανή σας.
3. Συνδέστε τη συσκευή παρασκευής πάγου αποκλειστικά σε μια γειωμένη πρίζα. Καμία άλλη συσκευή δεν πρέπει να συνδέεται στην ίδια πρίζα. Βεβαιωθείτε ότι το βύσμα έχει εισαχθεί πλήρως στη θήκη.
4. Αυτή η συσκευή πρέπει να είναι γειωμένη. Είναι εξοπλισμένη με ένα καλώδιο τροφοδοσίας με βύσμα γείωσης. Το φως πρέπει να είναι συνδεδεμένο σε μια πρίζα που είναι σωστά τοποθετημένη και γειωμένη.
5. Αποφύγετε τη χρήση καλωδίου επέκτασης επειδή μπορεί να υπερθερμανθεί και να προκαλέσει πυρκαγιά.

Ωστόσο, εάν είναι απαραίτητο να χρησιμοποιήσετε ένα καλώδιο επέκτασης:

- 1) Χρησιμοποιήστε μόνο καλώδιο προέκτασης με βύσμα γείωσης.
 - 2) Η χαρακτηρισμένη βαθμολογία ενός καλωδίου επέκτασης πρέπει να είναι ίση ή μεγαλύτερη από τη βαθμολογία αυτής της συσκευής.
 - 3) Πρέπει να τοποθετείται έτσι ώστε να μην κρέμεται πάνω από τον πάγκο ή το τραπέζι της κουζίνας όπου μπορεί να τραβηχτεί.
6. Μην χρησιμοποιείτε τη συσκευή με φθαρμένο καλώδιο ή βύσμα ή μετά από δυσλειτουργία της συσκευής ή αν παρατηρήσετε οποιαδήποτε βλάβη. Επιστρέψτε τη συσκευή στην πλησιέστερο εξουσιοδοτημένο κέντρο επισκευών για εξέταση, επισκευή ή προσαρμογή.
 7. Αν το καλώδιο τροφοδοσίας είναι κατεστραμμένο, πρέπει να αντικατασταθεί από τον κατασκευαστή ή τον αντιπρόσωπο σέρβις του ή ένα εξίσου εξειδικευμένο άτομο για να αποφευχθεί ο κίνδυνος.
 8. Για συσκευές που χρησιμοποιούν εύφλεκτα αέρια εμφύσησης, οι οδηγίες πρέπει να περιλαμβάνουν πληροφορίες σχετικά με την απόρριψη της συσκευής.

9. Μην αφήνετε το καλώδιο να κρέμεται από την άκρη του τραπεζιού ή του πάγκου.
10. Μην τοποθετείτε τη συσκευή πάνω ή κοντά σε καυτό αέριο ή ηλεκτρικό καυστήρα ή θερμαινόμενο φούρνο.
11. Τοποθετήστε το καλώδιο τροφοδοσίας έτσι ώστε να μην μπορεί να τραβηχτεί από παιδιά ή να προκαλέσει κίνδυνο πτώσης.
12. Τοποθετήστε το καλώδιο τροφοδοσίας έτσι ώστε να μην έρχεται σε επαφή με θερμές επιφάνειες.
13. Η χρήση εξαρτημάτων που δεν συνιστώνται ή πωλούνται από τον κατασκευαστή μπορεί να προκαλέσει πυρκαγιά, ηλεκτροπληξία ή τραυματισμό.
14. Μην αγγίζετε τον εξατμιστή όταν χρησιμοποιείτε τη συσκευή παρασκευής πάγου για να αποφύγετε κρυοπαγήματα.
15. Μην βυθίζετε κανένα μέρος της συσκευής στο νερό.
16. Για να αποσυνδέσετε, γυρίστε τον ρυθμιστή στη θέση "OFF" και, στη συνέχεια, αφαιρέστε το φιλτράρισμα από την πρίζα.
17. Μην συνδέετε ή αποσυνδέετε τη συσκευή με βρεγμένα χέρια.
18. Αποσυνδέστε τη συσκευή πριν την καθαρίσετε και όταν δεν τη χρησιμοποιείτε.
19. Μην χρησιμοποιείτε νερό με μικροβιολογικούς κινδύνους ή άγνωστη ποιότητα.
20. Μην καθαρίζετε τη συσκευή με εύφλεκτα υγρά. Οι αναθυμιάσεις μπορούν να προκαλέσουν κίνδυνο πυρκαγιάς ή έκρηξης.
21. Μην αναποδογυρίζετε τη συσκευή. Σε περίπτωση πτώσης της συσκευής πάγου τοποθετήστε την σε σταθερή επιφάνεια και μην την μετακινείτε για 2 ώρες πριν την ενεργοποιήσετε ξανά.
22. Αν η μηχανή πάγου εισάγεται από έξω το χειμώνα, μην τη χρησιμοποιείτε για λίγες ώρες, αφήστε τη μονάδα να ζεσταθεί στη θερμοκρασία δωματίου πριν από τη λειτουργία.
23. Ποτέ μην βάζετε εύφλεκτα, εκρηκτικά και διαβρωτικά αντικείμενα.
24. Ποτέ μην χρησιμοποιείτε τη συσκευή παρασκευής πάγου όταν υπάρχει εύφλεκτη διαρροή αερίου.
25. Ποτέ μην αποθηκεύετε ή χρησιμοποιείτε αέριο και άλλα εύφλεκτα αντικείμενα κοντά στην συσκευή για να αποφύγετε οποιαδήποτε πυρκαγιά.
26. Αποσυνδέστε την παγομηχανή πριν την μετακινήσετε για να αποφύγετε την καταστροφή του ψυκτικού συστήματος.

27. Μην επιχειρήσετε να αποσυναρμολογήσετε, να επιδιορθώσετε, να τροποποιήσετε ή να αντικαταστήσετε οποιοδήποτε μέρος του προϊόντος σας.
28. Τα παιδιά δεν πρέπει να παίζουν με τη συσκευή.
29. Αυτή η συσκευή μπορεί να χρησιμοποιηθεί από παιδιά ηλικίας από 8 ετών και άνω και άτομα με μειωμένες σωματικές, αισθητηριακές ή διανοητικές ικανότητες ή έλλειψη εμπειρίας και γνώσης μόνο εάν τους έχει δοθεί εποπτεία ή οδηγίες σχετικά με τη χρήση της συσκευής με ασφαλή τρόπο και κατανοήσουν τους σχετικούς κινδύνους
30. Ο καθαρισμός και η συντήρηση δεν πρέπει να γίνονται από παιδιά χωρίς επίβλεψη.
31. Η στενή παρακολούθηση είναι απαραίτητη όταν οποιαδήποτε συσκευή χρησιμοποιείται από παιδιά ή κοντά σε αυτά.
32. Μην αφήνετε τη συσκευή χωρίς επιτήρηση κατά τη χρήση.
33. Μην τη χρησιμοποιείτε σε εξωτερικούς χώρους.
34. Μην χρησιμοποιείτε τη συσκευή για άλλη από την προβλεπόμενη χρήση.
35. Παρακαλείσθε να πετάξετε τη συσκευή παρασκευής πάγου σύμφωνα με τους τοπικούς νόμους σχετικά με την απόρριψη της συσκευής καθώς χρησιμοποιεί εύφλεκτο αέριο φουσίματος και ψυκτικό μέσο.
36. ΠΡΟΣΟΧΗ: Γεμίστε μόνο με πόσιμο νερό.
37. ΠΡΟΕΙΔΟΠΟΙΗΣΗ: Κρατήστε τα ανοίγματα εξαερισμού στο περίβλημα της συσκευής ή στην ενσωματωμένη δομή χωρίς εμπόδια.
38. ΠΡΟΕΙΔΟΠΟΙΗΣΗ: Μην χρησιμοποιείτε μηχανικές συσκευές ή άλλα μέσα για να επιταχύνετε τη διαδικασία απόψυξης, εκτός από εκείνες που συνιστώνται από τον κατασκευαστή.
39. ΠΡΟΕΙΔΟΠΟΙΗΣΗ: Μην βλάπτετε το κύκλωμα ψυκτικού.
40. ΠΡΟΕΙΔΟΠΟΙΗΣΗ: Μην χρησιμοποιείτε ηλεκτρικές συσκευές μέσα στα διαμερίσματα αποθήκευσης τροφίμων της συσκευής, εκτός αν είναι του τύπου που συνιστά ο κατασκευαστής.
41. Μην αποθηκεύετε σε αυτήν τη συσκευή εκρηκτικές ουσίες όπως κουτιά αεροζόλ με εύφλεκτο προωθητικό.
42.  Προειδοποίηση: Κίνδυνος πυρκαγιάς / εύφλεκτων υλικών.
43. ΠΡΟΕΙΔΟΠΟΙΗΣΗ: Κατά την τοποθέτηση της συσκευής, βεβαιωθείτε ότι το

καλώδιο τροφοδοσίας δεν έχει παγιδευτεί ή έχει υποστεί ζημιά.

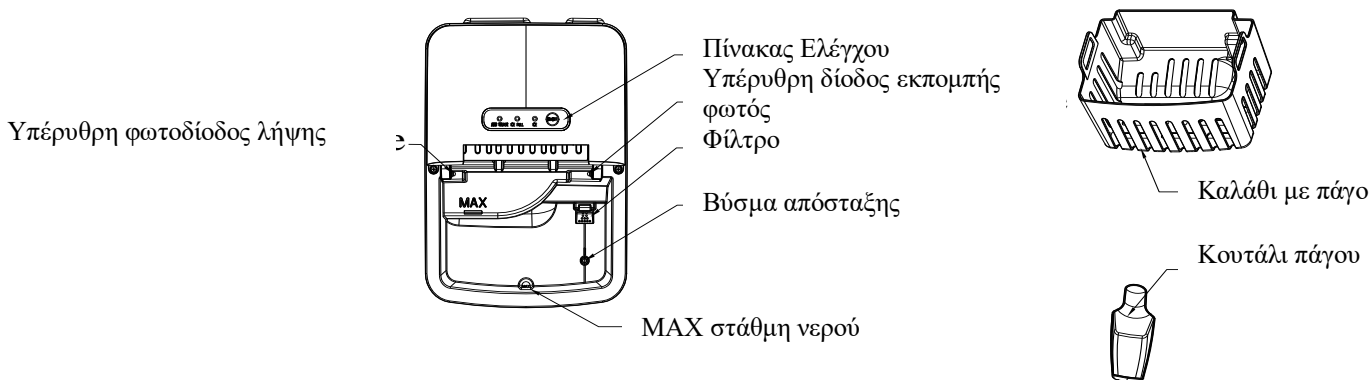
44. ΠΡΟΕΙΔΟΠΟΙΗΣΗ: Μην τοποθετείτε πολλαπλές φορητές πρίζες ή φορητές τροφοδοτικές συσκευές στο πίσω μέρος της συσκευής.

45. Το προϊόν προορίζεται για οικιακή χρήση ή:

- κουζίνες με εξειδικευμένο προσωπικό σε μαγαζιά, γραφεία και άλλους εργασιακούς χώρους ·
- αγροικίες;
- ξενοδοχεία, μοτέλ και ενοικιαζόμενα διαμερίσματα ·
- Ορισμένα διαμερίσματα για διανυκτέρευση.

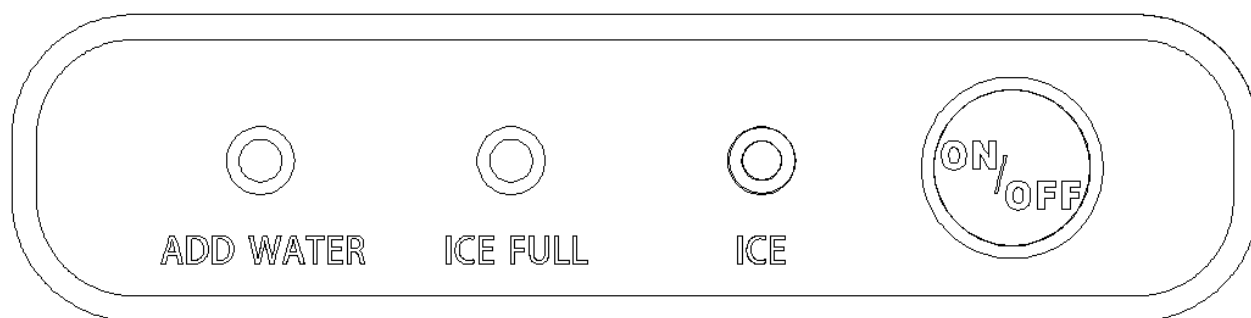
46. Κρατήστε αυτές τις οδηγίες για μελλοντική αναφορά.

ΓΝΩΡΙΣΤΕ ΤΗ ΣΥΣΚΕΥΗ ΣΑΣ



(Το προϊόν μπορεί να αλλάξει χωρίς προηγούμενη ειδοποίηση)

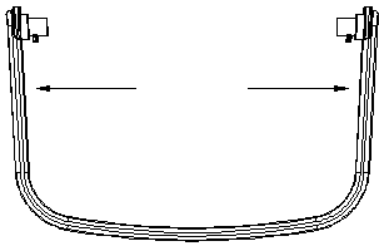
ΠΙΝΑΚΑΣ ΕΛΕΓΧΟΥ



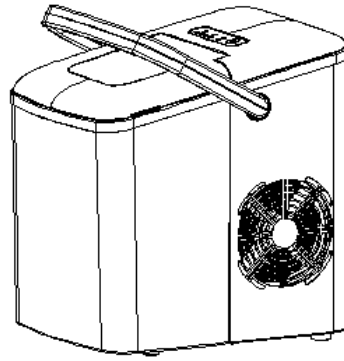
Πλήκτρο (με ένδειξη)	Λειτουργία
ON/OFF	Ξεκινήστε ή σταματήστε τη συσκευή; Πατήστε παρατεταμένα για καθαρισμό;
ICE	Κατάσταση αναμονής: η ένδειξη “ICE” αναβοσβήνει; Κατάσταση καθαρισμού: η ένδειξη “ICE” αναβοσβήνει πιο γρήγορα; Έν εργασία: η ένδειξη “ICE” φωτίζει σταθερά.
ICE FULL	Η ένδειξη “ICE FULL” ανάβει όταν γεμίσει το καλάθι πάγου.
ADD WATER	Η ένδειξη “ADD WATER” ανάβει όταν η δεξαμενή νερού είναι άδεια.

ΠΡΙΝ ΑΠΟ ΤΗ ΠΡΩΤΗ ΧΡΗΣΗ

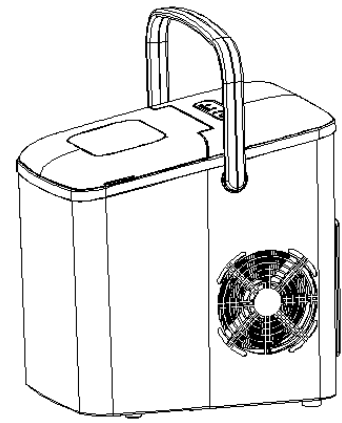
1. Αποσυσκευάστε τη συσκευή και, στη συνέχεια, ελέγξτε και βεβαιωθείτε ότι όλα τα αξεσουάρ, συμπεριλαμβανομένου του καλάθιού πάγου, της σέσουλας πάγου κλπ., είναι συμπεριβλημένα. Επικοινωνήστε με το τμήμα εξυπηρέτησης πελατών εάν λείπουν κάποια αξεσουάρ.
2. Παρακαλούμε ακολουθήστε τη διαδικασία ως εξής για να τοποθετήσετε καλά τη λαβή στη θέση της.



Σχήμα 1



Σχήμα 2



Σχήμα 3

- 1) Πιάστε και τις δύο πλευρές της χειρολαβής που απεικονίζονται στα βέλη με τα χέρια και τραβήξτε τα προς τα έξω (βλ. Σχήμα 1).
 - 2) Βεβαιωθείτε ότι η λαβή ευθυγραμμίζεται με τις οπές στο περίβλημα και απελευθερώνετε τα χέρια, και στη συνέχεια τοποθετήστε τη λαβή στις οπές του περιβλήματος (βλ. Σχήμα 2).
 - 3) Τραβήξτε και φτιάξτε τη λαβή όρθια και, στη συνέχεια, τραβήξτε προς τα έξω και τις δύο πλευρές της λαβής ακολουθώντας τη λειτουργία του βήματος 1). Ελέγξτε και βεβαιωθείτε ότι η λαβή είναι καλά τοποθετημένη στις οπές του περιβλήματος.
 - 4) Κρατήστε το κέντρο της λαβής και ανασηκώστε το προς τα πάνω (βλ. Σχήμα 3), ελέγξτε και βεβαιωθείτε ότι δεν υπάρχει ανωμαλία.
3. Βεβαιωθείτε ότι η συσκευή παρασκευής πάγου είναι επίπεδη και σε σταθερό τραπέζι ή πλατφόρμα για να αποφύγετε δυσλειτουργία.
4. Η γωνία κλίσης του θαλάμου κατασκευής πάγου δεν πρέπει να υπερβαίνει τις 45° κατά τη μεταφορά ή τη χρήση. Μην γυρίζετε τον πάγο ανάποδα. Κάτι τέτοιο μπορεί να προκαλέσει λανθασμένη λειτουργία του συμπιεστή ή του ψυκτικού συστήματος. Αφήστε χρόνο για τα υγρά του συμπιεστή να αποκατασταθούν αφού μετακινηθεί ή μεταφερθεί ο πάγος. Πριν χρησιμοποιήσετε για πρώτη φορά τη συσκευή παρασκευής πάγου, παρακαλούμε περιμένετε 2 ώρες αφού η μονάδα έχει ρυθμιστεί και τοποθετηθεί στην κατάλληλη θέση.
5. Η συσκευή πρέπει να τοποθετηθεί σε στεγνή και επίπεδη επιφάνεια με επαρκή εξαερισμό, μακριά από πηγές θερμότητας όπως φούρνοι, θερμαντήρες και διαβρωτικά αέρια. Αφήστε περίπου μια απόσταση 6 ιντσών (15 cm) σε όλες τις πλευρές του παγομηχανή για τον κατάλληλο εξαερισμό.

6. Μη γεμίζετε τη δεξαμενή νερού με ζεστό νερό. Αυτό μπορεί να προκαλέσει βλάβη στον πάγο. Είναι καλύτερο να γεμίσετε τη δεξαμενή νερού με νερό από τη θερμοκρασία δωματίου ή χαμηλότερα.

7. Μην χρησιμοποιείτε τη συσκευή σε πολύ κρύο περιβάλλον (κάτω από 5 °C).

8. Καθαρίστε τη συσκευή πριν τη χρήση ακολουθώντας τις οδηγίες από το κεφάλαιο

“ΚΑΘΑΡΙΣΜΟΣ ΚΑΙ ΔΙΑΤΗΡΙΣΗ”.

ΟΔΗΓΙΕΣ ΧΡΗΣΗΣ

1. Βεβαιωθείτε ότι το πάμα αποστράγγισης στο κάτω μέρος της δεξαμενής νερού είναι καλά κλεισμένο.

2. Συνδέστε τη συσκευή παρασκευής πάγου στην πρίζα και η ένδειξη "ICE" αναβοσβήνει.

ΣΗΜΕΙΩΣΗ: Αφήστε τον πάγο για να ξεκουραστεί για 30 λεπτά πριν από την σύνδεση, εάν έχει μετακινηθεί.

3. Ανοίξτε το πάνω καπάκι και αφαιρέστε το καλάθι πάγου.

4. Γεμίστε τη δεξαμενή με πόσιμο νερό.

ΣΗΜΕΙΩΣΗ: Μην γεμίζετε πάνω από τη σήμανση στάθμης νερού MAX.

5. Επανατοποθετήστε το καλάθι πάγου και κλείστε το πάνω καπάκι.

6. Πατήστε το πλήκτρο "ON / OFF" και η ένδειξη "ICE" ανάβει σταθερά.

7. Ο κύκλος πάγου θα διαρκέσει περίπου 7-15 λεπτά, ανάλογα με τη θερμοκρασία περιβάλλοντος και τη θερμοκρασία του νερού.

8. Ο κύκλος παρασκευής πάγου ξεκινά με την άντληση νερού στο δίσκο πάγου που βρίσκεται κάτω από τον εξατμιστή. Κατά τη διάρκεια των επόμενων 7-15 λεπτών σχηματίζεται πάγος στον εξατμιστή. Μόλις ολοκληρωθεί αυτό, ο δίσκος πάγου θα στραφεί προς τα πίσω και το υπόλοιπο νερό στο δίσκο πάγου αποστραγγίζεται πίσω στη δεξαμενή νερού. Τα παγάκια στη συνέχεια πέφτουν από τον εξατμιστή και ωθούνται προς τα εμπρός μέσα στο καλάθι πάγου από το φτυάρι πάγου. Ο δίσκος πάγου θα επανέλθει αυτόματα στη θέση του κάτω από τον εξατμιστή και θα ξεκινήσει τον επόμενο κύκλο.

9. Η ένδειξη "ICE FULL" θα ανάψει όταν το καλάθι πάγου είναι γεμάτο και στη συνέχεια ο πάγος θα σταματήσει αυτόματα τον κύκλο παρασκευής πάγου. Αφαιρέστε απαλά τον πάγο από το καλάθι πάγου με τη σέσουλα πάγου. Περίπου 7,5 δευτερόλεπτα αργότερα, ο

πάγος θα ξεκινήσει αυτόματα τη λειτουργία λήψης πάγου.

10. Η ένδειξη "ADD WATER" θα ανάψει όταν η δεξαμενή νερού στερείται νερού και ο κύκλος κατασκευής πάγου θα σταματήσει αυτόματα. Αν ναι, αφαιρέστε το καλάθι πάγου και προσθέστε νερό στη δεξαμενή νερού και, στη συνέχεια, πιάστε ξανά το πλήκτρο "ON / OFF" για να ξεκινήσετε ξανά τον κύκλο κατασκευής πάγου. Η συσκευή θα αρχίσει να λειτουργεί αυτόματα μετά από περίπου 20 λεπτά αν ο χειριστής ξεχάσει να ξαναρχίσει η συσκευή μετά την επαναπλήρωσή της.

11. Όταν λάβετε την επιθυμητή ποσότητα πάγου, σταματήστε τον κύκλο πάγου πιέζοντας το πλήκτρο "ON / OFF" και αποσυνδέστε τη συσκευή από την πρίζα.

12. Ανοίξτε το πάνω καπάκι και μεταφέρετε τον πάγο σε καταψύκτη.

13. Αφήστε τη συσκευή παρασκευής πάγου να φθάσει σε θερμοκρασία δωματίου.

14. Προτείνετε την αντικατάσταση του νερού κάθε εβδομάδα. Αδειάστε τη δεξαμενή νερού εάν η συσκευή παρασκευής πάγου δεν χρησιμοποιείται για μεγάλο χρονικό διάστημα.

ΚΑΘΑΡΙΣΜΟΣ ΚΑΙ ΣΥΝΤΗΡΗΣΗ

Για να διατηρήσετε τη γεύση του πάγου σας φρέσκια και ο πάγος σας φαίνεται υπέροχος, συνιστούμε να καθαρίζετε τη συσκευή σας μία φορά την εβδομάδα.

1. Σταματήστε τον κύκλο πάγου πιέζοντας το πλήκτρο "ON / OFF", αποσυνδέστε τη συσκευή παρασκευής πάγου από την πρίζα τοίχου και αφήστε τη να ζεσταθεί σε θερμοκρασία δωματίου.

2. Αν υπάρχει υπολειμματικό νερό στο δίσκο πάγου, σπρώξτε ελαφρά το δίσκο πάγου προς τα πίσω έτσι ώστε όλο το νερό να αποστραγγίζεται στη δεξαμενή νερού.

3. Μετακινήστε τη συσκευή προς τα εμπρός σε ένα σημείο 60 χλ μακριά από το τραπέζι εργασίας και ανοίξτε το πόμα αποστράγγισης για να αποστραγγίσετε την περίσσεια νερού (βλ. Σχήμα 4, Σχήμα 5 και Σχ. 6).

4. Αφαιρέστε το καλάθι πάγου.

5. Καθαρίστε το εσωτερικό της συσκευής με ένα μαλακό πανί εμποτισμένο με ζεστό νερό και ξύδι, ξεπλύνετε με καθαρό νερό και στη συνέχεια στραγγίστε όλο το νερό.

6. Επανατοποθετήστε καλά το βύσμα αποστράγγισης. Πλύνετε το καλάθι πάγου και το σκεύος πάγου σε ζεστό σαπουνόνερο. Ξεπλύνετε και στεγνώστε.

7. Καθαρίστε το εξωτερικό της συσκευής με ένα μαλακό υγρό πανί. Χρησιμοποιήστε ένα

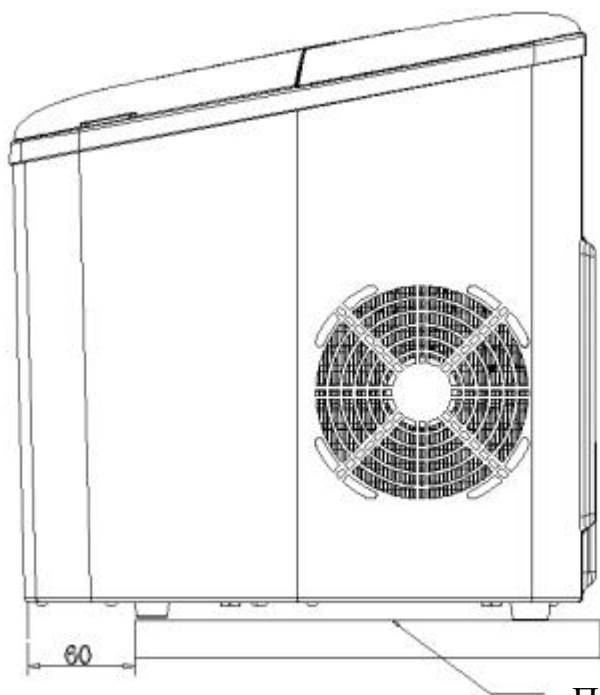
ήπιο σαπούνι για πλύσιμο πιάτων, εάν είναι απαραίτητο.

ΣΗΜΕΙΩΣΗ:

1) Μη χρησιμοποιείτε οργανικό διαλύτη, βρασμένο νερό, απορρυπαντικό, ισχυρό οξύ και ισχυρά αλκάλια κλπ. Για καθαρισμό.

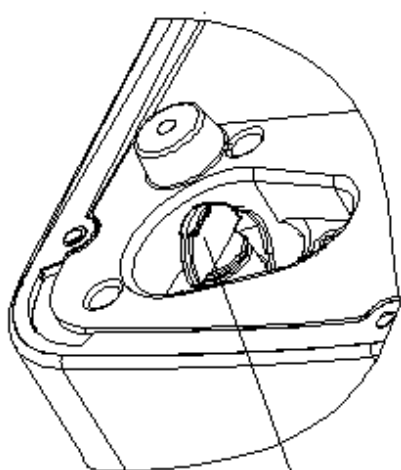
2) Μην καθαρίζετε τον εξατμιστή.

8. Αδειάστε τη δεξαμενή νερού και στεγνώστε την για αποθήκευση εάν η συσκευή παρασκευής πάγου δεν χρησιμοποιείται για μεγάλο χρονικό διάστημα.



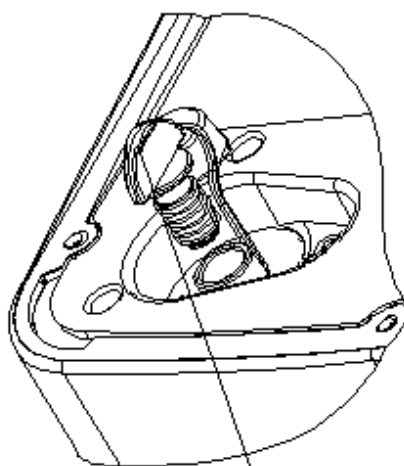
Πίνακας εργασίας

(Σχήμα 4)



Βύσμα απόσταξης

(Σχήμα 5)



Βύσμα απόσταξης

(Σχήμα 6)

ΑΝΤΙΜΕΤΩΠΙΣΗ ΠΡΟΒΛΗΜΑΤΩΝ

Πρόβλημα	Πιθανές αιτίες	Λύση
Η ένδειξη “ADD WATER” ανάβει	<ol style="list-style-type: none"> 1. Χαμηλή στάθμη νερού ή έλλειψη νερού. 2. Η οθόνη νερού στο κάτω μέρος της δεξαμενής εμποδίζεται. 3. Λανθασμένη λειτουργία της αντλίας. 	<ol style="list-style-type: none"> 1. Σταματήστε να πάρετε πάγο, γεμίστε με νερό και, στη συνέχεια, πατήστε το πλήκτρο "ON / OFF" για να ξαναρχίσετε τον κύκλο πάγου. 2. Κάντε καθαρισμό. 3. Στείλτε την στην εξουσιοδοτημένη υπηρεσία για επισκευή.
Η ένδειξη “ICE FULL” ανάβει	<ol style="list-style-type: none"> 1. Το καλάθι με πάγο είναι γεμάτο και το υπέρυθρο φως μπλοκάρεται από τον πάγο. 2. Η δίοδος εκπομπής φωτός με υπέρυθρη ακτινοβολία και η δίοδος λήψης φωτός δεν λειτουργούν. 	<ol style="list-style-type: none"> 1. Αφαιρέστε τον πάγο από το καλάθι. 2α. Σκουπίστε άγνωστα αντικείμενα στη δίοδο εκπομπής φωτός υπέρυθρης ακτινοβολίας και στη δίοδο λήψης φωτός και επανεκκινήστε τη συσκευή κατασκευής πάγου. 2b. Καλέστε την Εξυπηρέτηση Πελατών εάν η δίοδος εκπομπής φωτός υπέρυθρης ακτινοβολίας και δίοδος λήψης φωτός εξακολουθεί να μην μπορεί να λειτουργήσει αφού σκουπίσετε άγνωστα αντικείμενα και επανεκκινήσετε τον πάγο.
Συγκέντρωση πάγου	Ο πάγος παίρνει πάρα πολύ χρόνο.	Σταματήστε να δημιουργείτε πάγο και επανεκκινήστε τον κύκλο κατασκευής πάγου μετά την τήξη του πάγου.

	Το νερό στη δεξαμενή νερού είναι σε πολύ χαμηλή θερμοκρασία.	Γεμίστε τη δεξαμενή νερού με εύρος νερού μεταξύ 8 °C και 25 °C.
Ο κύκλος παρασκευής πάγου φαίνεται φυσιολογικός αλλά δεν παράγεται πάγος	Η θερμοκρασία περιβάλλοντος ή η θερμοκρασία του νερού είναι πολύ υψηλή.	Ξεκινήστε τον κύκλο κατασκευής πάγου σε περιβάλλον με θερμοκρασία περιβάλλοντος μικρότερη από 32 °C και γεμίστε τη δεξαμενή νερού με λίγο κρύο νερό.
	Διαρροές συστήματος ψύξης.	Καλέστε την εξυπηρέτηση πελατών.
	Διαρροές συστήματος ψύξης.	Καλέστε την εξυπηρέτηση πελατών.
Κακό αποτέλεσμα πάγου	<ol style="list-style-type: none"> 1. Ανεπαρκείς διάλυση της θερμότητας. 2. Η θερμοκρασία του νερού είναι πολύ υψηλή. 3. Η θερμοκρασία περιβάλλοντος είναι πολύ υψηλή. 	<ol style="list-style-type: none"> 1. Αφήστε ένα διάκενο 6 ιντσών σε όλες τις πλευρές της συσκευής για τον κατάλληλο εξαερισμό. 2. Γεμίστε τη δεξαμενή νερού με νερό μεταξύ 8 °C και 28 °C. 3. Χρησιμοποιήστε τη συσκευή παρασκευής πάγου σε περιβάλλον με θερμοκρασία μεταξύ 10 °C και 32 °C.

ΤΕΧΝΙΚΕΣ ΠΑΡΑΜΕΤΡΟΙ

Μοντέλο: EM2100

Σχετικό κλίμα: ST/SN/N/T

Κλάσα: I

Πηγή ενέργειας: 220-240V/50Hz

Ονομαστική ισχύς: 120W

Ποσότητα ψυκτικού / ψυκτικό μέσο: R600a/23g

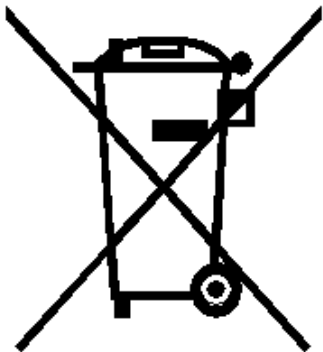
Αφρίζοντες παράγοντες: C₅H₁₀

Καθαρό βάρος: 8.3Kg

Περιβλήμα: PP

Μέγεθος μονάδας (D x W x H) : 310*230*325mm

ΠΕΡΙΒΑΛΛΟΝΤΙΚΗ ΔΙΑΘΕΣΗ



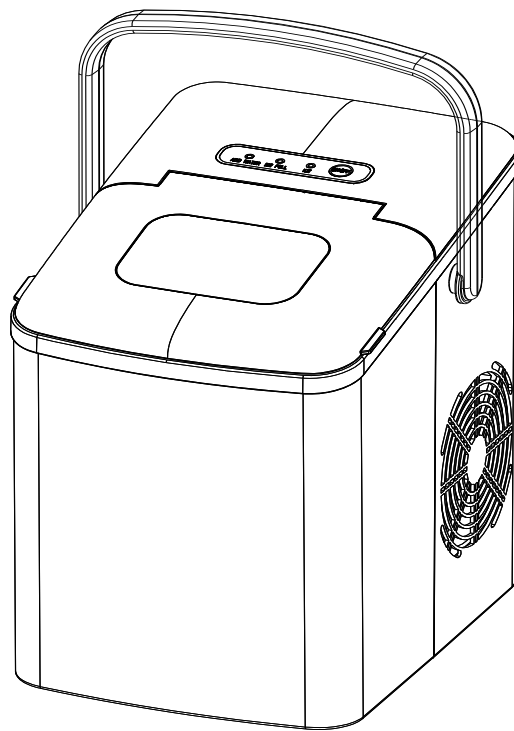
Μπορείτε να βοηθήσετε στην προστασία του περιβάλλοντος!

Μην ξεχνάτε να τηρείτε τους τοπικούς κανονισμούς: παραδώστε το μη ενεργό ηλεκτρικό εξοπλισμό σε ένα κατάλληλο κέντρο διάθεσης αποβλήτων.



APARAT ZA PRIPRAVO LEDU

NAVODILA ZA UPORABO



EM2100

Pred uporabo pozorno preučite navodila ter jih shranite za poznejšo uporabo.


POMEMBNI VARNOSTNI NAPOTKI

Prosimo preučite in upoštevajte naslednje varnostne napotke, da ne bi prišlo do požara, električnega udara in drugih poškodb:

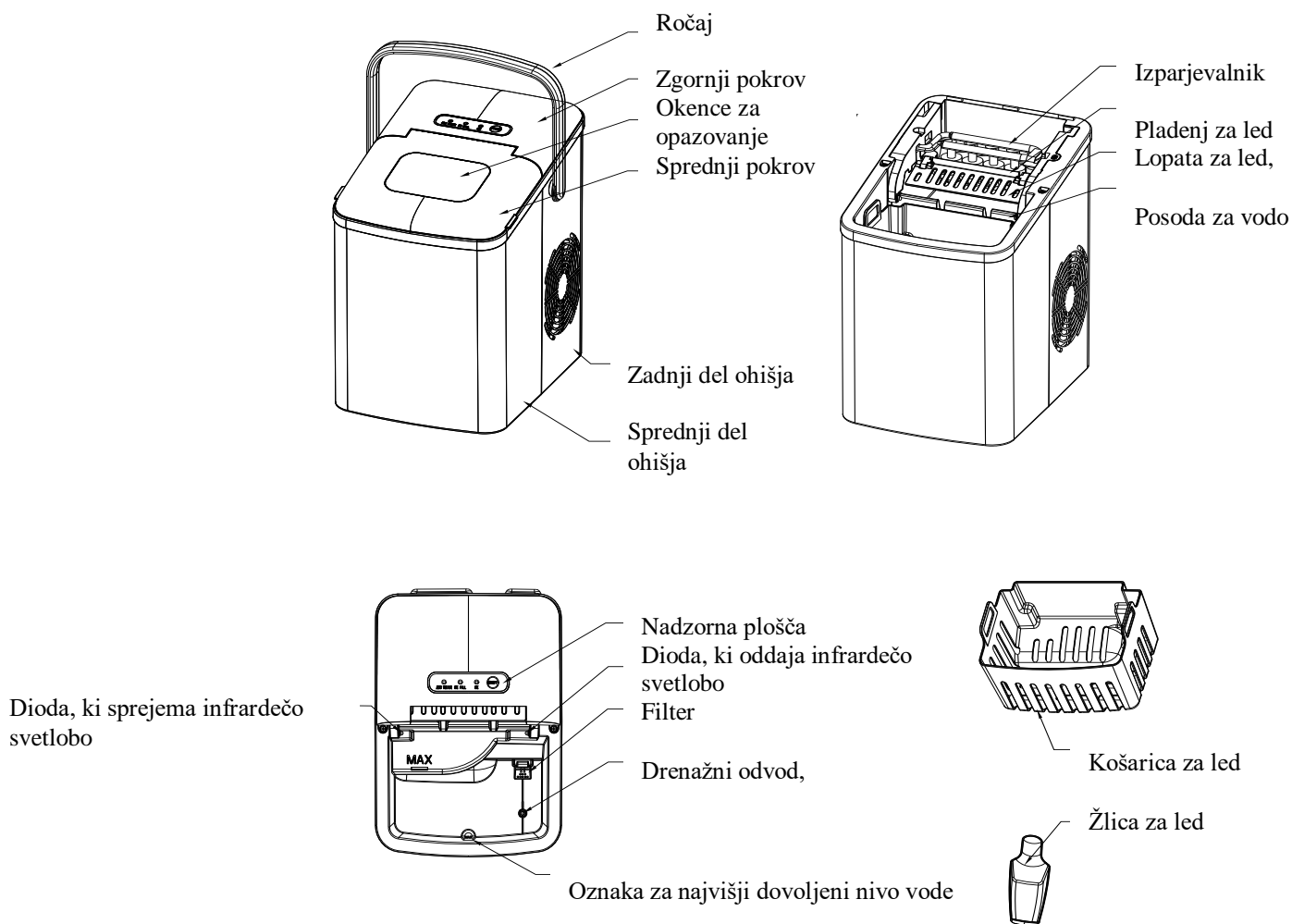
1. Pred uporabo preverite, da napetost navedena na izdelku ustreza napetosti Vaše električne napeljave.
2. Ne odstranjajte nalepnic z varnostnimi opozorili ali informacijami z aparata.
3. Aparat priklopite izključno na ozemljeno električno vtičnico. Na isto vtičnico ne bi smeli biti priklopljeni tudi drugi aparati. Preverite, da je vtič do konca vstavljen v vtičnico.
4. Aparat mora biti ozemljen. Opremljen je z napajalnim kablom, ki ima vtič primeren za ozemljitev. Vtič je potrebno priklopiti na električno vtičnico, ki je pravilno nameščena in ozemljena.
5. Izogibajte se uporabi električnih podaljškov, saj lahko povzročijo pregrevanje in nevarnost požara. Če je uporaba podaljška nujna:
 - 1) Uporabljajte samo podaljške z vtičnicami primernimi za ozemljitev
 - 2) Nazivna zmogljivost podaljška mora biti enaka ali večja od nazivne zmogljivosti aparata.
 - 3) Podaljšek mora biti nameščen tako, da ne visi čez rob mize in da ni dostopen otrokom.
6. V primeru poškodbe napajalnega kabla ali vtiča oz. kakršnekoli okvare ali poškodbe aparata, nemudoma prekinite z uporabo. Napravo odnesite v najbližji pooblaščen servis na pregled in popravilo
7. Če pride do poškodbe napajalnega kabla, ga mora zamenjati proizvajalec, pooblaščen serviser ali ustrezno usposobljeno osebje, da ne bi prišlo do nevarnosti telesnih poškodb.
8. Pri aparatih z vnetljivimi izolacijskimi plini, navodila obsegajo tudi napotke za varno odlaganje aparata.
9. Ne dovolite, da napajalni kabel visi čez rob mize ali da se dotika vroče površine.
10. Ne postavljajte naprave na ali v bližino plamena ali električne pečice.
11. Napajalni kabel postavite tako, da je izven dosega otrok, in da ni v napoto, da se ne bi kdo spotaknil.
12. Napajalni kabel postavite tako, da ne prihaja v stik z vročimi površinami.
13. Uporaba nastavkov, ki niso priporočeni s strani proizvajalca, lahko privede do telesnih poškodb, požara ali električnega udara.
14. Med uporabo aparata za pripravo ledu se ne dotikajte izparjevalnika, da ne bi prišlo do omrzlin.
15. Ne potaplajte kateregakoli dela aparata v vodo.
16. Pri izklapljanju, najprej pretaknite stikalo na OFF, nato odklopite napajalni kabel iz električne vtičnice.
17. Z mokrimi rokami ne odklapljajte oz. priklaplajte aparata na električno omrežje.
18. Preden aparat pustite brez nadzora ali se lotite vzdrževanja in čiščenja, odklopite napajalni kabel iz električne vtičnice.
19. Za pripravo ledu ne uporabljajte vode, ki ni mikrobiološko varna oz. za katero niste prepričani ali je varna.
20. Ne čistite aparata z vnetljivimi tekočinami. Pare takih tekočin lahko predstavljajo nevarnost požara ali eksplozije.

21. Ne obračajte aparata z glavo navzdol. Če aparat po nesreči prevrnete, ga pustite, da stoji dve uri, preden ga ponovno prižgete.
22. Če aparat v zimskem času vnesete z odprtega v zaprt prostor, dovolite, da se segreje na sobno temperaturo, preden ga prižgete.
23. Nikoli ne postavljajte vnetljivih, eksplozivnih ali korozivnih snovi v bližino aparata.
24. Če je prišlo do uhajanja vnetljivega plina, aparata v nobenem primeru ne uporabljajte.
25. Nikoli ne shranjujte plina in drugih vnetljivih snovi v bližini aparata, da ne bi prišlo do požara.
26. Pred premikanjem aparata, ga najprej odklopite iz električnega omrežja, da ne bi prišlo do okvare hladilnega sistema.
27. Ne poskušajte sami razstavljati, popravljati, prilagajati ali menjati kateregakoli dela aparata.
28. Otrokom ne dovolite, da se igrajo z aparatom.
29. Otroci starejši od 8 let in osebe z zmanjšanimi telesnimi, zaznavnimi in umskimi zmožnostmi ali s pomanjkljivim znanjem lahko uporabljajo aparat le pod nadzorom osebe odgovorne za njihovo varnost.
30. Otroci aparata ne smejo čistiti oz. vzdrževati brez nadzora.
31. Kadar se aparat uporablja v bližini otrok, ga je potrebno pozorno nadzirati.
32. Aparata ne pustite obratovati brez nadzora.
33. Aparata ne uporabljajte na odprtem prostoru.
34. Aparata ne uporabljajte razen za predvidene namene.
35. Pri odlaganju aparata prosimo upoštevajte veljavne zakone in predpise, saj gre za aparat, ki uporablja vnetljiv plin in hladilno sredstvo.
36. POZOR: V aparat dodajajte le pitno vodo.
37. POZOR: Prezračevalne reže na ohišju naprave oz. na vgrajeni strukturi, ne smejo biti ovirane.
38. POZOR: Ne uporabljajte mehanskih pripomočkov za pospeševanje odtajanja, razen tistih, ki jih priporoča proizvajalec.
39. POZOR: Bodite pozorni, da ne poškodujete tokokrog hladilnega sredstva.
40. POZOR: Ne uporabljajte električnih aparatov znotraj oddelkov za hranjenje živil, razen če gre za aparate katerih uporabo, priporoča proizvajalec.
41. V aparatu ne shranjujte eksplozivnih snovi, kot npr. pločevinke z razpršilom pod tlakom, ki vsebujejo vnetljiv potisni plin.



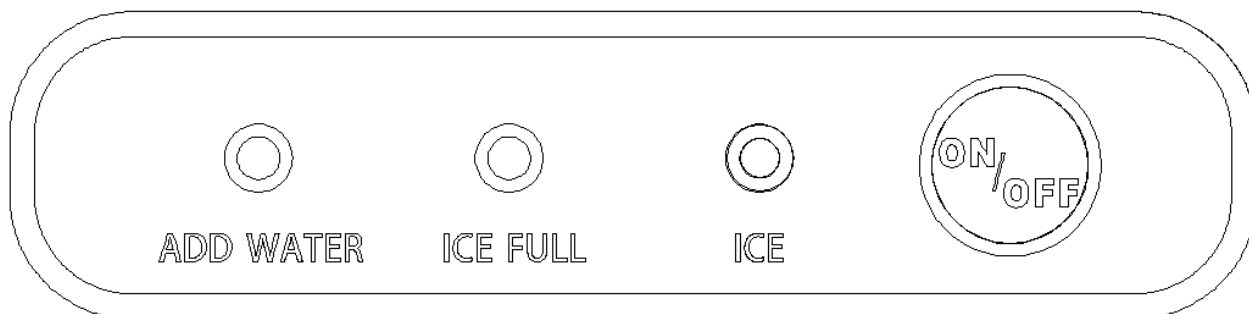
42.  POZOR: Nevarnost požara/vnetljive snovi
43. POZOR: Pri nameščanju aparata, preverite da napajalni kabel ni zagozden ali poškodovan.
44. POZOR: Za aparatom ne nameščajte električnih podaljškov z več vtičnicami ali prenosnih električnih napajanj.
45. Naprava je namenjena za uporabo v gospodinjstvu in podobnih okoljih:
 - kuhinjah za osebje v trgovinah, pisarnah in drugih delovnih okoljih;
 - kmetijah, v hotelih, motelih in drugih namestitvenih objektih;
 - v prenočiščih z zajtrkom
 - gostinske storitve in podobne ne-maloprodajne dejavnosti
46. Shranite ta navodila.

SPOZNAJTE VAŠ APARAT



(Lahko pride do sprememb lastnosti izdelka brez predhodnega obvestila)

NADZORNA PLOŠČA



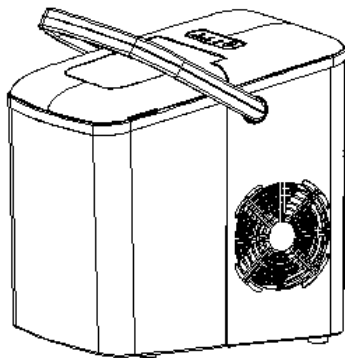
Gumb (z indikatorjem)	Funkcija
ON/OFF	Vklop/izklop aparata; Pritisnite in držite za sproženje čiščenja;
ICE	Način pripravljenosti: indikator "ICE" utripa počasi; Čiščenje: indikator "ICE" utripa hitreje; Obratovanje: indikator "ICE" sveti konstantno.
ICE FULL	Indikator "ICE FULL" se prižge, kadar je košarica za led polna.
ADD WATER	Indikator "ADD WATER" se prižge, kadar je raven vode v posodi za vodo nizka.

PRED PRVO UPORABO

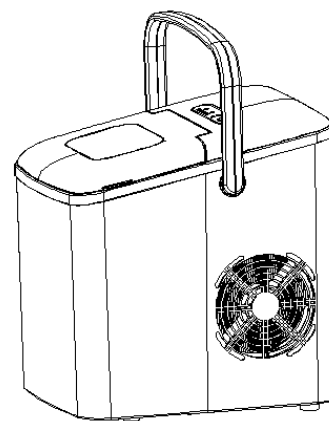
1. Odstranite embalažo, preverite če je prisotna vsa oprema, vključno s košarico za led, žlico za led itn. V primeru manjkajoče opreme, se prosimo obrnite na službo za podporo strankam.
2. Prosimo sledite spodnjim navodilom, da bi pravilno namestili ročaj.
 - 1) Primite obe strani ročice, kakor je prikazano s puščicami in povlecite navzven (glej Sliko 1)
 - 2) Poravnajte ročico z luknjami v ohišju, ter odпустite primež (glej Sliko 2).
 - 3) Povlecite ročico tako, da jo namestite navpično, nato povlecite obe strani ročice navzven, sledeč navodilu v prvem koraku. Preverite, če je ročica pravilno postavljena, glede na luknje v ohišju.
 - 4) Primite sredino ročice in jo dvignite navzgor (glej Sliko 3), preverite ali je vse pravilno nameščeno.



Slika 1



Slika 2



Slika 3

3. Prepričajte se, da je aparat postavljen na ravno in stabilno podlago, da ne bi prišlo do okvare.

4. Med uporabo in prevozom aparata, nagib ne sme presegati 45° . Ne aparata na glavo. To bi lahko povzročilo okvaro kompresorja ali hladilnega Sistema. Po premikanju aparata dovolite, da se tekočine ustalijo. Pred prvo uporabo aparata, počakajte dve uri po postavitvi aparata v vodoraven položaj na primernem mestu.

5. Aparat mora biti postavljen na suhi in ravni površini, hkrati pa mora imeti dovolj prezračevanja in ne sme biti postavljen v bližino virov toplote in korozivnih plinov, kot so pečice, grelci. Pustite okoli 15 cm prostora z vseh strani aparata za primerno prezračevanje.

6. Ne polnite posode za vodo z vročo vodo. To bi lahko poškodovalo aparat. Najbolje je, če posodo polnite z vodo sobne temperature ali nižje.

7. Ne uporabljajte aparata v zelo hladnih okoljih (manj kot 5°C).

8. Pred uporabo, očistite aparat sledeč navodilom v poglavju “ČIŠČENJE IN VZDRŽEVANJE”

UPORABA APARATA ZA PRIPRAVO LEDU

1. Preverite, da je odvod za drenažo na dnu posode za vodo dobro zaprt.

2. Priključite aparat v električno vtičnico, indikator “ICE” bo začel utripati.

POZOR: Če ste aparat premikali, mora pred ponovnim priklopom na električno omrežje mirovati 30 minut.

3. Odprite zgornji pokrov in odstranite košarico za led.

4. Napolnite posodo za vodo s pitno vodo.

OPOMBA: Ne polnite posode čez oznako “MAX”.

5. Ponovno namestite košarico za led in zaprite pokrov.

6. Pritisnite gumb “ON/OFF”, indikator “ICE” bo začel svetiti brez utripanja.

7. Cikel priprave ledu traja približno 7-15 minut, v odvisnosti od temperature vode in temperature okolja.
8. Cikel priprave ledu začne s črpanjem vode v pladenj za led, ki se nahaja pod izparjevalnikom. V naslednjih 7-15 minutah se na izparjevalniku tvori led. Kadar je led pripravljen, se pladenj za led nagne nazaj in preostala voda se zlije v posodo za vodo. Ledene kocke se nato odložijo z izparjevalnika in lopata za led jih potisne naprej v košarico za led. Pladenj za led se bo samodejno pomaknil nazaj pod izparjevalnik, da bi se začel naslednji cikel.
9. Indikator "ICE FULL" bo zasvetil, kadar je košarica za led polna, nakar bo aparat samodejno prekinil pripravo ledu. Previdno odstranite led iz košarice z žlico za led. Po 7,5 sekundah bo aparat samodejno ponovno začel s pripravo ledu.
10. Indikator "ADD WATER" bo zasvetil, kadar količina vode v posodi za vodo doseže nizko raven, priprava ledu se bo v tem primeru samodejno prekinila. Kadar se to zgodi, odstranite košarico za led in dodajte vodo v posodo za vodo, nato pa ponovno pritisnite gumb "ON/OFF" za ponovni zagon priprave ledu. Aparat bo začel samodejno obratovati po 20 minutah, če ga pozabite ponovno vklopiti po dolivanju vode.
11. Kadar pripravite želeno količino ledu, izklopite aparat s pritiskom na gumb "ON/OFF" in ga izključite iz električne vtičnice.
12. Odprite zgornji pokrov in prenesite led v zamrzovalnik
13. Pustite aparat, da doseže sobno temperature.
14. Priporočamo, da vodo menjate enkrat tedensko. Prosimo izpraznite posodo za vodo, če aparata ne boste uporabljali dlje časa.

ČIŠČENJE IN VZDRŽEVANJE

Da bi Vaše ledene kocke imele svež okus in da bi Vaš aparat za pripravo ledu lepo izgledal, priporočamo, da ga čistite enkrat tedensko.

15. Izklopite aparat s pritiskom na gumb "ON/OFF" in ga izključite iz električne vtičnice. Pustite, da se segreje na sobno temperaturo.
 1. Če se v pladnju za led nahaja preostala voda, previdno potisnite pladenj nazaj, tako da se voda odlije v posodo za vodo.
 2. Premaknite aparat naprej, na položaj 60 mm oddaljen od delovnega pulta in odprite

zamašek drenažnega odvoda, da se izlije odvečna voda. (glej Slike 4, 5 in 6)

3. Odstranite košarico za led.

4. Očistite notranjost aparata z mehko krpo namočeno v toplo vodo in kis, nato izperite s čisto vodo in odcedite preostanek vode.

5. Ponovno namestite zamašek drenažnega odvoda. Pomijte žlico in košarico za led v topli milnici. Izperite in posušite.

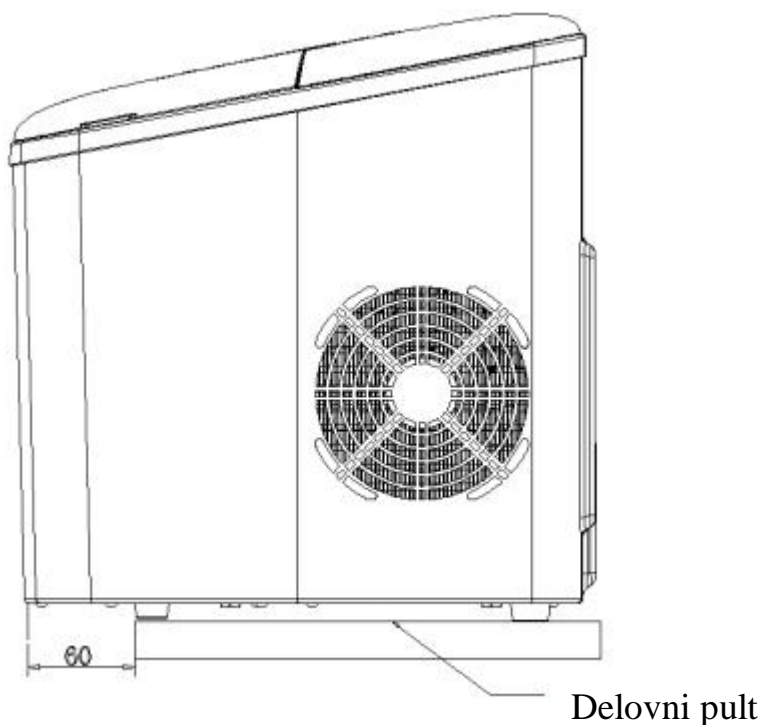
6. Očistite zunanjo stran aparata z mehko, vlažno krpo. Če je potrebno, uporabite blag detergent za pomivanje posode.

OPOMBA:

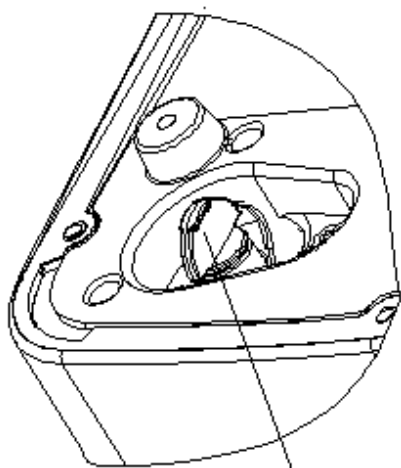
1) Za čiščenje ne uporabljajte organskih topil, vrele vode, čistilnih sredstev, močnih kislin in baz.

2) Ne čistite izparjevalnika.

8. Če aparata ne nameravate uporabljati dlje časa, prosimo očistite posodo za vodo in jo posušite pred shranjevanjem.

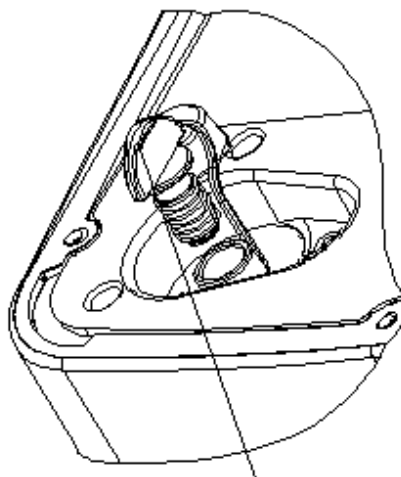


(Slika 4)



Zamašek drenažnega odvoda

(Slika 5)



Zamašek drenažnega odvoda

(Slika 6)

ODPRAVLJANJE TEŽAV

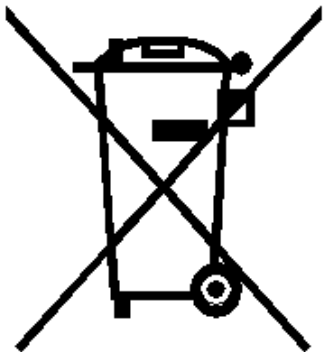
Težava	Potencialni vzroki	Rešitev
Prižgal se je indikator "ADD WATER"	<ol style="list-style-type: none"> 1. Nizka raven vode, ali pa prazna posoda 2. Senzor za vodo na dnu posode je blokirano. 3. Okvara črpalke. 	<ol style="list-style-type: none"> 1. Prekinite pripravo ledu, dolijte vodo ter ponovno pritisnite gumb "ON/OFF" za ponovni začetek priprave ledu. 2. Očistite aparat. 3. Odnosite aparat na popravilo pri pooblaščenemu serviserju.
Prižgal se je indikator "ICE FULL"	<ol style="list-style-type: none"> 1. Košarica za led je polna in led ovira infra-rdečo svetlobo. 2. Diodi za oddajanje in sprejemanje infra-rdeče svetlobe ne delujeta. 	<ol style="list-style-type: none"> 1. Odstranite led iz košarice. 2a. Očistite delce z diod za oddajanje in sprejemanje infra-rdeče svetlobe in ponovno prižgite aparat. 2b. Pokličite službo za podporo strankam če diodi tudi po čiščenju in ponovnem zagonu ne delujejo.

Led se sprijema	Priprava ledu traja preveč dolgo.	Prekinite pripravo ledu in jo ponovno zaženite, kadar se led stopi.
	Voda v posodi za vodo je preveč hladna.	Napolnite posodo z vodo temperature med 8°C in 25°C.
Cikel priprave ledu navzven deluje normalno, vendar se led ne pripravlja	Temperatura okolja ali vode v posodi je previsoka.	Zaženite pripravo ledu v okolju, kjer je temperatura nižja od 32°C in napolnite posodo za vodo s hladno vodo.
	Hladilni sistem pušča	Pokličite službo za podporo strankam
	Hladilni sistem je zamašen	Pokličite službo za podporo strankam
Slab rezultat priprave ledenih kock	<ol style="list-style-type: none"> 1. Slaba razpršitev toplote. 2. Previsoka temperatura vode. 3. Previsoka temperatura okolja. 	<ol style="list-style-type: none"> 1. Pustite vsaj 15 cm prostora z vseh strani aparata za primerno prezračevanje. 2. Napolnite posodo z vodo temperature med 8°C in 25°C. 3. Zaženite pripravo ledu v okolju, kjer je temperatura okolja °C med 10°C in 32°C.

TEHNIČNE LASTNOSTI

Model:	EM2100
Primerna podnebja:	ST/SN/N/T
Razred:	I
Vir napajanja:	220-240V/50Hz
Nazivna moč:	120W
Hladilno sredstvo/količina:	R600a/23g
Sredstvo za penjenje:	C ₅ H ₁₀
Neto teža:	8,3 Kg
Ohišje:	PP
Dimenzije aparata (GxŠxV):	310*230*325 mm

PRAVILNO ODLAGANJE IZDELKA

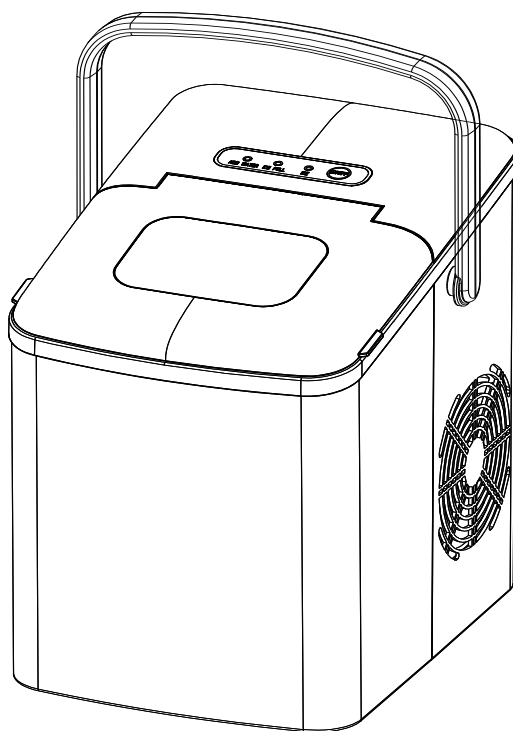


Tudi Vi lahko pomagate varovati okolje!
Prosimo Vas, da spoštujete lokalne zakonske
predpise: vse odslužene električne naprave je
treba predati pristojnim centrom za reciklažo
elektronskih in električnih odpadkov.



LEDOMAT

KORISNIČKE UPUTE



EM2100


Pažljivo pročitajte ove upute prije uporabe i sačuvajte ih za kasniju uporabu

VAŽNE SIGURNOSNE UPUTE

Da biste smanjili rizik od požara, eksplozije, strujnog udara ili ozljeda tijekom korištenja aparata za pravljenje leda, slijedite ove važne sigurnosna upute:

1. Prije uporabe provjerite da li napon odgovara onom koji je naveden na tipskoj pločici uređaja.
2. Ne uklanjajte nikakve oznake za sigurnost, upozorenje ili informacije o proizvodu s uređaja za pravljenje leda.
3. Uključite aparat za led u posebnu uzemljenu utičnicu. Nijedan drugi uređaj ne smije da bude umetnut u istu utičnicu. Vodite računa da je utikač dobro umetnut u utičnicu.
4. Ovaj uređaj mora biti uzemljen. Opremljen je kablom napajanja sa utikačem sa uzemljenjem. Utikač mora biti umetnut u utičnicu koja je ispravno postavljena i uzemljena.
5. Izbjegavajte uporabu produžnih kabela jer se može pregrijavati i prouzrokovati opasnost od požara. Međutim, ukoliko je potrebno koristiti produžni kabel:
 - 1) Koristite samo produžni kabel s utikačem sa uzemljenjem.
 - 2) Napon produžnog kabla mora biti jednak ili veći od napona ovog uređaja.
 - 3) Treba postaviti produžni kabel tako da ne visi nad pultom ili stolom sa kojeg ga djeca namjerno mogu povući.
6. Ne koristite aparat s oštećenim kablom ili utikačem ili nakon nepravilnog rada uređaja ili oštećenja na bilo koji način. Vratite uređaj najbližem ovlaštenom servisu na pregled, popravku ili podešavanje.
7. Ako je kabel napajanja oštećen, mora ga zamijeniti proizvođač, serviser ili osoba sa sličnim kvalifikacijama kako bi se izbjegla bilo kakva opasnost.
8. U slučaju bacanja/ odlaganja uređaja, treba se pridržavati smjernica koje se tiču odlaganja uređaja koji koriste zapaljive plinove.
9. Ne ostavljajte kabel da visi sa ruba stola ili pulta.
10. Ne stavljajte uređaj na ili u blizini vrućeg plina ili električnog štednjaka, niti u zagrijanu pećnicu.
11. Postavite kabel napajanja tako da ga djeca ne mogu vući ili da ne predstavlja opasnost od saplitanja.
12. Postavite kabel napajanja tako da nije u kontaktu sa vrućim površinama.

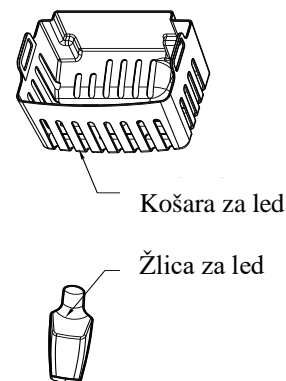
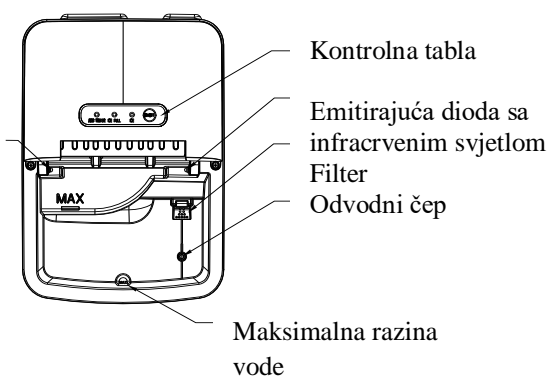
13. Uporaba dodataka koje ne preporuča ili prodaje proizvođač može prouzrokovati požar, strujni udar ili ozljede.
14. Ne dodirujte isparivač tijekom rada aparata za pravljenje leda, jer to može dovesti do promrzlina.
15. Ne uranjajte dijelove uređaja u vodu.
16. Da biste isključili uređaj, okrenite bilo koji kontrolni gumb na „OFF“, a zatim izvadite utikač iz zidne utičnice.
17. Nemojte uključivati ili isključivati uređaj iz zidne utičnice mokrim rukama.
18. Isključite uređaj iz zidne utičnice prije čišćenja, održavanja i kada se ne koristi.
19. Ne koristite vodu koja je mikrobiološki neispravna ili je nepoznate kvalitete.
20. Ne čistite uređaj zapaljivim tekućinama. Isparenja mogu stvoriti opasnost od požara ili eksplozije.
21. Nemojte prevrtati aparat za pravljenje leda. Ukoliko se uređaj slučajno prevrne, ostavite ga da stabilno stoji naredna dva sata prije ponovne uporabe.
22. Ukoliko aparat za pravljenje leda unosite unutra sa niske vanjske temperature, nemojte koristiti uređaj nekoliko sati, kako bi se temperatura uređaja prije uporabe izjednačila sa sobnom temperaturom.
23. Nikada ne stavljajte zapaljiva, eksplozivna i korozivna sredstva u aparat za pravljenje leda.
24. Nemojte koristiti aparat za pravljenje leda ukoliko postoji curenje zapaljivog plina.
25. Nikada ne čuvajte i ne upotrebljavajte plin i druge zapaljive proizvode u blizini aparata za pravljenje leda, kako ne bi došlo do požara.
26. Isključite aparat za pravljenje leda iz utičnice prije nego što ga pomjerate, jer time sprječavate oštećenje rashladnog sustava.
27. Ne pokušavajte sami da rastavite, popravite, modificirate ili zamijenite bilo koji dio uređaja.
28. Djeca se ne smiju igrati s uređajem.
29. Ovaj uređaj smiju koristiti djeca starija od 8 godina i straija i osobe sa smanjenim fizičkim, osjetilnim ili mentalnim sposobnostima ili nedostatkom iskustva i znanja samo ukoliko su pod nadzorom ili su prethodno dobili upute o uporabi uređaja na siguran način i razumjeli opasnosti koje uporaba uključuje.

30. Djeca ne smiju bez nadzora obavljati čišćenje i održavanje uređaja.
31. Neophodan je strogi nadzor kada uređaj koriste djeca ili se uređaj koristi u njihovoj blizini.
32. Ne ostavljajte uređaj bez nadzora tijekom uporabe.
33. Nemojte koristiti uređaj na otvorenom.
34. Koristite ovaj uređaj samo u svrhe kojima je namijenjen.
35. Bacanje/ odlaganje aparata za pravljenje leda mora se obaviti u skladu sa lokalnim regulativama koje se odnose na ove uređaje, jer sadrži zapaljivi plin i rashladno sredstvo.
36. UPOZORENJE: Puniti aparat samo pitkom vodom.
37. UPOZORENJE: Držite otvore za ventilaciju uređaja slobodnim i bez prepreka.
38. UPOZORENJE: Ne koristite mehaničke uređaje ili druga sredstva za ubrzavanje procesa odmrzavanja, osim onih koja su preporučena od strane proizvođača.
39. UPOZORENJE: Nemojte oštećivati instalaciju hlađenja.
40. UPOZORENJE: Ne koristite električne uređaje u pregradama za odlaganje hrane na uređaju, osim ako nisu preporučeni od strane proizvođača.
41. Ne stavljajte u ovaj uređaj eksplozivne tvari kao što su aerosolne limenke sa zapaljivim sredstvima.
42.  Upozorenje: Opasnost od požara / zapaljivih materija.
43. UPOZORENJE: Prilikom postavljanja uređaja vodite računa da kabel napajanja nije nečim pritisnut ili oštećen.
44. UPOZORENJE: Nemojte sa stražnje strane uređaja postavljati veći broj prenosivih utičnica i prenosivih izvora napajanja.
45. Uređaj je namijenjen za uporabu u kućanstvu i slične namjene kao što su:
 - kuhinjski prostori za djelatnike u prodavaonicama, uredima i drugim radnim prostorima;
 - seoske kuće i hoteli, moteli i ostala okruženja stambenog tipa u kojima borave klijenti;
 - pansioni i slične turističke prostorije;
 - ugostiteljstvo, catering i slični ne iznajmljujući uslužni servisi.
46. Sačuvajte ove upute.

UPOZNAJTE VAŠ UREĐAJ

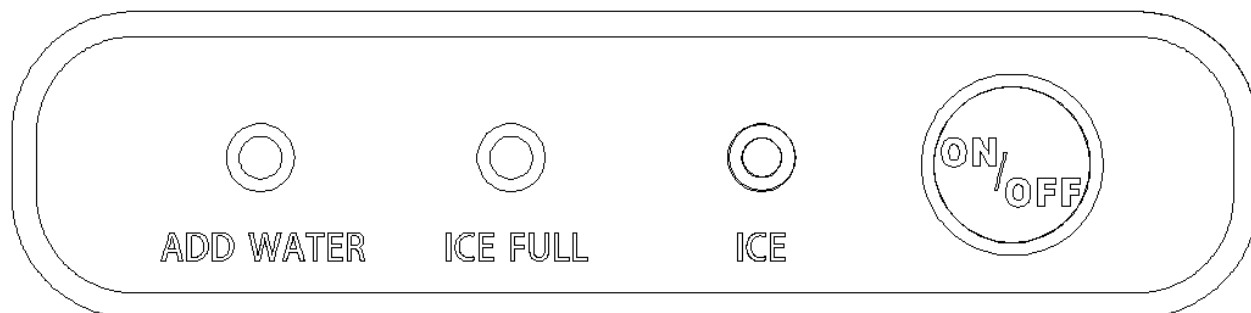


Prijemna dioda sa infracrvenim svjetlom



(Proizvod može podleći promjeni bez prethodne najave)

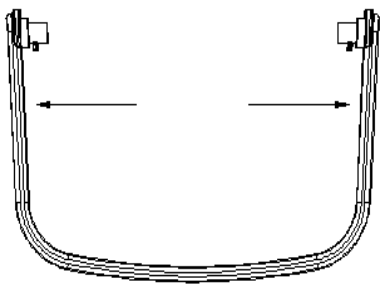
UPRAVLJAČKA PLOČA



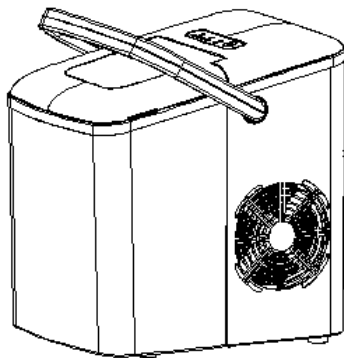
Taster (sa indikatorom)	Funkcija
ON/OFF	Početak ili prekid rada uređaja; Dugi pritisak na taster za čišćenje uređaja;
ICE/ LED	Način pripravnosti: "ICE" indikator treperi; Stanje čišćenja: "ICE" indikator treperi brže; Stanje rada: "ICE" indikator svijetli jednakomjerno.
ICE FULL/ NAPUNJEN LED	"ICE FULL" indikator svijetli kada je košara za led puna ledom
ADD WATER/ DODAVANJE VODE	"ADD WATER" indikator svijetli kada u rezervoaru nedostaje voda

PRIJE PRVE UPORABE

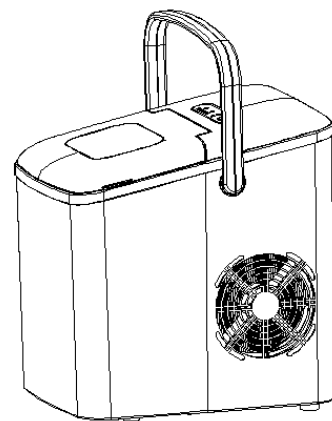
1. Raspakirajte uređaj, a zatim provjerite sve dodatke, uključujući košaru za led i lopaticu za led. Ukoliko neki dodatak nedostaje, kontaktirajte korisnički servis.
2. Da biste postavili ručku u pravilan položaj, slijedite postupak naveden ispod.
 - 1) Uхватите rukama obje strane ručke označene strelicama i povucite ih ka vani. (Slika 1)
 - 2) Postavite ručku tako da je u ravni sa rupama na kućištu, pustite je iz ruku, a zatim umetnite ručku u rupe na kućištu. (Slika 2)
 - 3) Povucite ručku i uspravite je, a zatim povucite obje strane ručke ka vani, prateći postupak iz koraka broj 1. Provjerite da li je ručka postavljena dobro u rupama na kućištu.
 - 4) Držite sredinu ručke i podignite je naviše (Slika 3), a zatim provjerite da li je sve ispravno postavljeno.



Sl.1



Sl.2



Sl.3

3. Kako biste izbjegli kvarove, provjerite da li je aparat za pravljenje leda postavljen ravno na stabilan stol ili drugu površinu

4. Kut nagiba aparata za pravljenje leda ne smije biti veći od 45° tijekom transporta ili uporabe. Ne okrećite aparat za led naopako. To može dovesti do nepravilnog rada kompresora ili rashladnog sustava. Pustite da se tekućina u kompresoru slegne nakon pomjeranja ili transportiranja aparata za pravljenje leda. Prije prve uporabe aparata za pravljenje leda, sačekajte da prođe 2 sata od pravilnog postavljanja uređaja na odgovarajuće mjesto.

5. Uređaj treba postaviti na suhu i ravnu površinu sa dovoljno ventilacije, daleko od izvora topline kao što su pećnice, grijači i korozivni plinovi. Ostavite razmak od oko 15cm sa svih strana uređaja, kako bi se omogućila normalna ventilacija.

6. Nemojte puniti rezervoar za vodu toplom vodom, jer to može oštetiti aparat za pravljenje leda. Najbolje je da rezervoar puniti vodom koja je sobne temperature ili niže.

7. Ne koristite uređaj u veoma hladnom okruženju (na temperaturi nižoj od 5°C).

8. Očistite uređaj prije uporabe slijedeći upute iz dijela “**ČIŠĆENJE I ODRŽAVANJE**”.

KORIŠTENJE APARATA ZA PRAVLJENJE LEDA

1. Provjerite da li je odvodni čep na dnu rezervoara za vodu dobro zatvoren.

2. Uključite uređaj u zidnu utičnicu i taster “ICE” počinja da treperi.

NAPOMENA: Ostavite aparat za pravljenje leda da odstoji 30 minuta prije uključivanja ukoliko je prethodno pomjeren / transportovan.

3. Otvorite gornji poklopac i pomjerite košaru za led.

4. Napunite rezervoar za vodu pitkom vodom.

NAPOMENA: Nemojte puniti rezervoar iznad oznake MAX, koja označava maksimalnu razinu vode.

5. Vratite na mjesto košaru za led i zatvorite gornji poklopac.
6. Pritisnite taster "ON/OFF" i taster "ICE" počinje da svijetli ujednačeno.
7. Ciklus pravljenja leda traje u prosjeku od 7 do 15 minuta, u zavisnosti od ambijentalne temperature i temperature vode.
8. Ciklus pravljenja leda započinje upumpavanjem vode u posudu za led, koja se nalazi ispod isparivača. Tijekom narednih 7-15 minuta formira se led na isparivaču. Nakon što se taj proces završi, posuda za led se nagnje unazad, a preostala voda u posudi za led se istače nazad u rezervoar za vodu. Kocke leda zatim padaju sa isparivača i bivaju izgurane lopatom za led naprijed u košaru za led. Posuda za led se automatski vraća na mjesto ispod isparivača i počinje sljedeći ciklus.
9. Indikator "ICE FULL" svijetli kada je košara za led puna, a zatim ciklus pravljenja leda automatski prestaje. Žlicom za led nježnim pokretima sklonite led iz košare za led. Oko 7,5 sekundi docnije, aparat za pravljenje leda automatski ponovo započinje s funkcijom pravljenja leda.
10. Indikator "ADD WATER" svijetli kada u rezervoaru nema dovoljno vode i ciklus pravljenja leda automatski prestaje. Ukoliko zaboravite da restartirate (ponovo pustite u rad) uređaj nakon što ste dodali vodu, uređaj automatski započinje ponovo sa radom nakon otprilike 20 minuta.
11. Kada dobijete željenu količinu leda, pritiskom na taster "ON/OFF" prekinite ciklus pravljenja leda i isključite uređaj iz zidne utičnice.
12. Otvorite gornji poklopac i prebacite led u zamrzivač.
13. Pustite da se temperatura uređaja zagrije do sobne temperature.
14. Savjetujemo da svakog tjedna mijenjate vodu. Ispraznite rezervoar za vodu ukoliko uređaj ne koristite duži vremenski period.

ČIŠĆENJE I ODRŽAVANJE

Preporučljivo je da uređaj čistite jednom tjedno kako bi led zadržao dobar okus, a uređaj dobar izgled.

1. Zaustavite ciklus pravljenja leda pritiskom na taster "ON / OFF", isključite aparat za

led iz zidne utičnice i ostavite ga da se zagrije do sobne temperature.

2. Ukoliko se u posudi za led nađe zaostala voda, lagano gurnite unatrag posudu za led tako da sva voda isteče u rezervoar za vodu.

3. Udaljite uređaj 60 mm od radne ploče i otvorite odvodni čep kako biste ispustili višak vode (Slike 4, 5 i 6).

4. Pomjerite košaru za led.

5. Očistite unutarnjost aparata za pravljenje leda mekom krpom natopljenom toplom vodom i octom, isperite čistom vodom, a zatim ocijedite svu vodu.

6. Vratite odvodni čep na njegovo mjesto. Košaru i žlicu za led operite toplom, sapunjavom vodom. Dobro ih isperite i osušite.

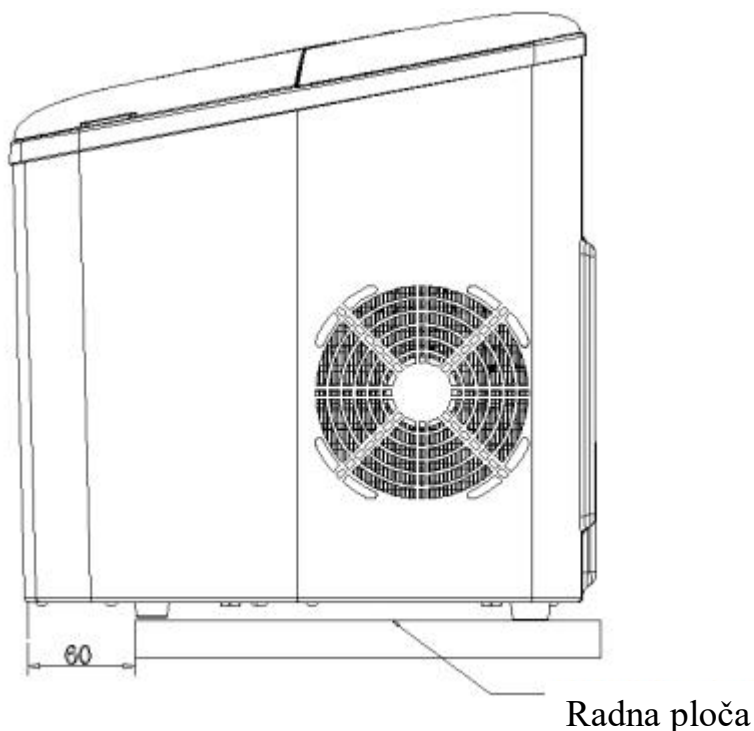
7. Vanjski dio aparata za pravljenje leda obrišite mekom, vlažnom krpom. Ukoliko je potrebno, možete koristiti tekućinu za sudove.

NAPOMENA:

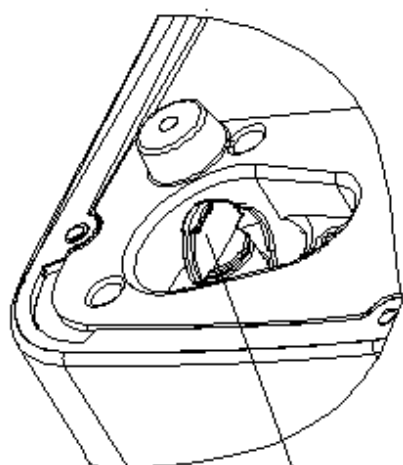
1) Za čišćenje uređaja nemojte koristiti organska otapala, ključalu vodu, deterdžent, jaka kisela i alkalna sredstva i slično.

2) Ne čistite isparivač.

8. Ispraznite rezervoar za vodu i osušite ga, prije nego što odložite uređaj ukoliko ne planirate da ga koristite duži vremenski period.

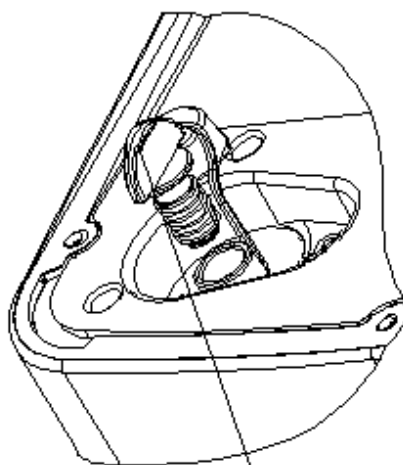


(S1.4)



Odvodni čep

(SI.5)



Odvodni čep

(SI.6)

RJEŠAVANJE PROBLEMA

Problem	Mogući uzroci	Rješenje
Svijetli indikator za "ADD WATER" / Dodavanje vode	<ol style="list-style-type: none"> 1. Malo vode ili nedostatak vode. 2. Zaslon za vodu na dnu rezervoara je blokiran. 3. Kvar na pumpi. 	<ol style="list-style-type: none"> 1. Prekinite pravljenje leda, dodajte vodu, a zatim pritisnite taster "ON/OFF" da restartirate ciklus pravljenja leda. 2. Očistite. 3. Odnosite uređaj u ovlaštenu servis na popravku.
Svijetli indikator "ICE FULL" / Napunjen led	<ol style="list-style-type: none"> 1. Košara za led je puna i infracrveno svjetlo je blokirano ledom. 2. Prijemna i emitirajuća dioda sa infracrvenim svjetlom ne rade. 	<ol style="list-style-type: none"> 1. Uklonite led iz košare za led. 2a. Obrišite prijemnu i emitirajuću diodu sa infracrvenim svjetlom i restartirajte uređaj. 2b. Pozovite ovlaštenu servisni centar ukoliko prijemna i emitirajuća dioda i dalje ne rade nakon što ste ih obrisali i restartirali uređaj.

Led ispada u gomili / Zaljepljene kocke leda	Pravljenje leda traje predugo.	Prekinite pravljenje leda i nakon što se led otopi, restartirajte uređaj.
	Voda u rezervoaru je previše niske temperature.	Napunite rezervoar za vodu vodom koja je temperature između 8°C i 25°C.
Ciklus izrade leda izgleda normalno, ali nema leda	Ambijentalna temperatura ili temperatura vode je previsoka.	Započnite ciklus pravljenja leda na temperaturi od 32°C i napunite rezervoar hladnom vodom.
	Rashladni sistem curi.	Pozovite korisnički servis.
	Rashladni sistem je blokiran.	Pozovite korisnički servis.
Loši rezultati pravljenja leda	<ol style="list-style-type: none"> 1. Slaba disipacija toplote. 2. Temperatura vode je previsoka. 3. Ambijentalna temperatura je previsoka. 	<ol style="list-style-type: none"> 1. Ostavite prazan prostor od po 15 cm sa svake strane uređaja, radi dobre ventilacije. 2. Napunite rezervoar vodom koja je temperature između 8°C i 28°C. 3. Ambijentalna temperatura uređaja koji radi treba da je između 10°C i 32°C.

TEHNIČKI PARAMETRI

Model: EM2100

Prikladni klimatski uvjeti: ST/SN/N/T

Klasa: I

Napajanje: 220-240V/50Hz

Nominalna snaga: 120W

Sredstvo za hlađenje/Količina sredstva za hlađenje: R600a/23g

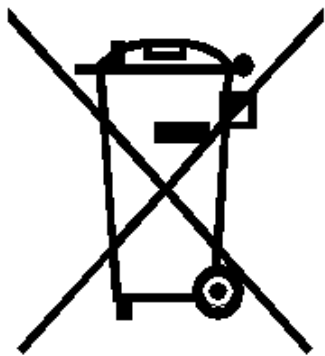
Sredstvo za pjenu: C₅H₁₀

Neto težina: 8.3Kg

Kućište: PP

Dimenzije uređaja (D/ Dubina x W/ Širina x H/ Visina) : 310*230*325mm

EKOLOŠKO ODLAGANJE



Možete pomoći zaštititi životne sredine! Poštujte lokalne propise: neispravnu električnu opremu predajte odgovarajućem centru za zbrinjavanje otpada.

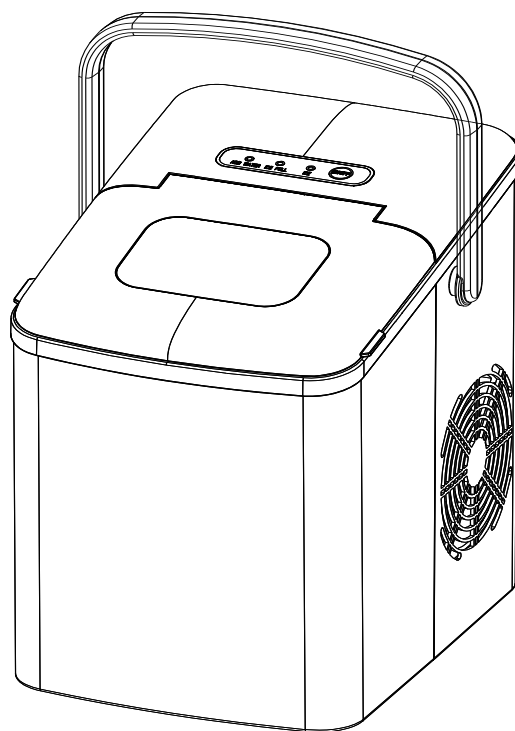


BIH

MNE

APARAT ZA PRAVLJENJE LEDA

KORISNIČKO UPUTSTVO



EM2100


Pažljivo pročitajte ovo uputstvo prije upotrebe i sačuvajte ga za buduću upotrebu

VAŽNA SIGURNOSNA UPUTSTVA

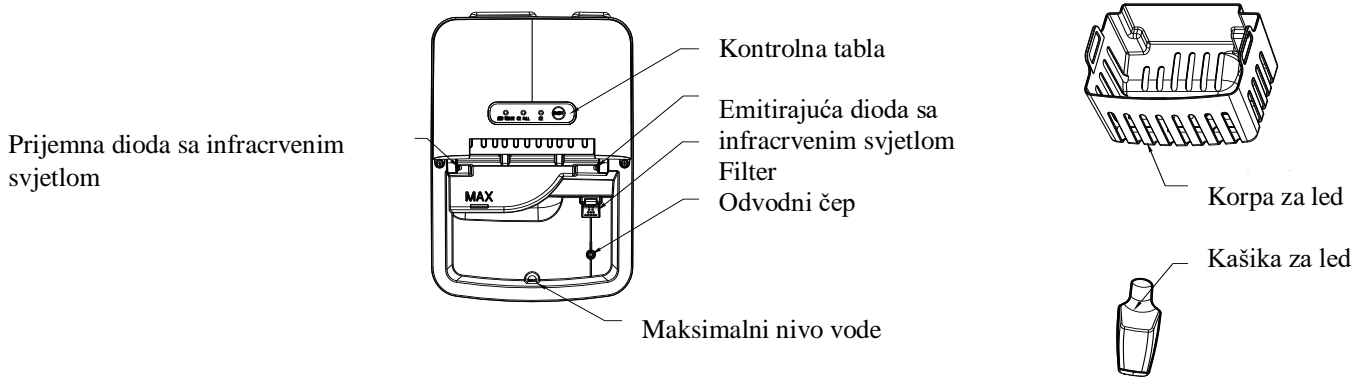
Da biste smanjili rizik od požara, eksplozije, strujnog udara ili povreda prilikom korišćenja aparata za pravljenje leda, pratite ova važna sigurnosna uputstva:

1. Prije upotrebe provjerite da li napon odgovara onom koji je naveden na tipskoj pločici uređaja.
2. Ne uklanjajte nikakve oznake za sigurnost, upozorenje ili informacije o proizvodu s uređaja za pravljenje leda.
3. Uključite aparat za led u posebnu uzemljenu utičnicu. Nijedan drugi uređaj ne smije da bude priključen u istu utičnicu. Vodite računa da je utikač dobro utaknut u utičnicu.
4. Ovaj uređaj mora biti uzemljen. Opremljen je kablom za napajanje sa utikačem sa uzemljenjem. Utikač mora biti priključen u utičnicu koja je pravilno postavljena i uzemljena.
5. Izbjegavajte upotrebu produžnog kabla jer se može pregrijavati i prouzrokovati opasnost od požara. Međutim, ukoliko je potrebno koristiti produžni kabl:
 - 1) Koristite samo produžni kabl sa utikačem sa uzemljenjem.
 - 2) Napon produžnog kabla mora biti jednak ili veći od napona ovog uređaja.
 - 3) Treba postaviti produžni kabl tako da ne visi nad pultom ili stolom sa kojeg ga djeca namjerno mogu povući.
6. Ne koristite aparat s oštećenim kablom ili utikačem ili nakon nepravilnog rada uređaja ili oštećenja na bilo koji način. Vratite uređaj najbližem ovlašćenom servisu na pregled, popravku ili podešavanje.
7. Ako je kabl za napajanje oštećen, mora ga zamijeniti proizvođač, serviser ili osoba sa sličnim kvalifikacijama kako bi se izbjegla bilo kakva opasnost.
8. U slučaju bacanja/ odlaganja uređaja, treba se pridržavati smjernica koje se tiču odlaganja uređaja koji koriste zapaljive gasove.
9. Ne ostavljajte kabl da visi sa ivice stola ili pulta.
10. Ne stavljajte uređaj na ili u blizini vrućeg gasa ili električnog šporeta, niti u zagrijanu rernu.
11. Postavite kabl za napajanje tako da ga djeca ne mogu vući ili da ne predstavlja opasnost od saplitanja.
12. Postavite kabl za napajanje tako da nije u kontaktu sa vrućim površinama.

13. Upotreba dodataka koje proizvođač ne preporučuje ili ne prodaje može prouzrokovati požar, strujni udar ili povrede.
14. Ne dodirujte isparivač tokom rada aparata za pravljenje leda, jer to može dovesti do promrzlina.
15. Ne uranjajte dijelove uređaja u vodu.
16. Da biste isključili uređaj, okrenite bilo koje kontrolno dugme na „OFF“, a zatim izvadite utikač iz zidne utičnice.
17. Nemojte uključivati ili isključivati uređaj iz zidne utičnice mokrim rukama.
18. Isključite uređaj iz zidne utičnice prije čišćenja, održavanja i kada nije u upotrebi
19. Ne koristite vodu koja je mikrobiološki neispravna ili je nepoznatog kvaliteta.
20. Ne čistite uređaj zapaljivim tečnostima. Isparenja mogu stvoriti opasnost od požara ili eksplozije.
21. Ne prevrćite aparat za pravljenje leda. Ukoliko se uređaj slučajno prevrne, ostavite ga da stabilno stoji naredna dva sata prije ponovne upotrebe.
22. Ukoliko aparat za pravljenje leda unosite unutra sa niske spoljašnje temperature, nemojte koristiti uređaj nekoliko sati, kako bi se temperatura uređaja prije upotrebe izjednačila sa sobnom temperaturom.
23. Nikada ne stavljajte zapaljive, eksplozivne i korozivne predmete u aparat za pravljenje leda.
24. Nemojte koristiti aparat za pravljenje leda ukoliko postoji curenje zapaljivog gasa.
25. Nikada ne čuvajte i ne upotrebljavajte gas i druge zapaljive proizvode u blizini aparata za pravljenje leda, kako ne bi došlo do požara.
26. Isključite aparat za pravljenje leda iz utičnice prije nego što ga pomjerate, jer time sprječavate oštećenje rashladnog sistema.
27. Ne pokušavajte sami da rastavite, popravite, modifikujete ili zamijenite bilo koji dio uređaja.
28. Djeca se ne smiju igrati s uređajem.
29. Ovaj uređaj mogu koristiti djeca starija od 8 godina i više, osobe sa smanjenim fizičkim, senzornim ili mentalnim sposobnostima ili nedostatkom iskustva i znanja samo ukoliko su pod nadzorom ili su prethodno dobili uputstva o upotrebi uređaja na siguran način i razumjeli opasnosti koje upotreba uključuje.

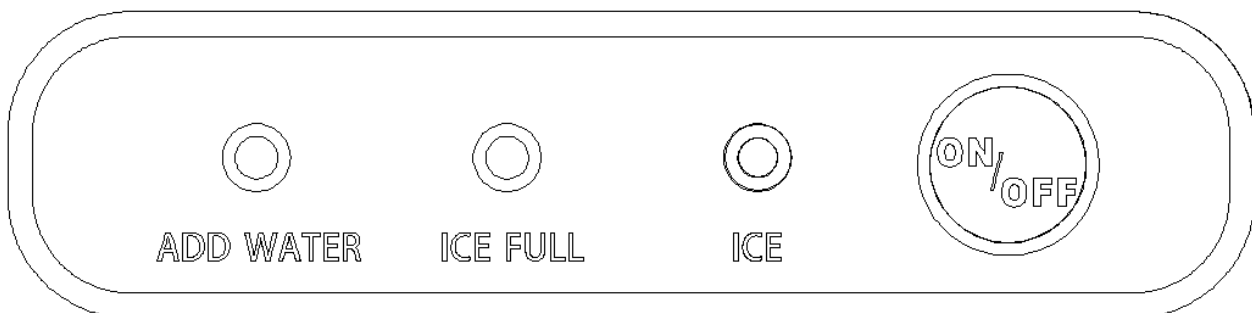
30. Djeca ne smiju bez nadzora obavljati čišćenje i održavanje uređaja.
31. Neophodan je strogi nadzor kada uređaj koriste djeca ili se uređaj koristi u njihovoj blizini.
32. Ne ostavljajte uređaj bez nadzora dok je u upotrebi.
33. Nemojte koristiti uređaj na otvorenom.
34. Koristite ovaj uređaj samo u svrhe kojima je namijenjen.
35. Bacanje/ odlaganje aparata za pravljenje leda mora se obaviti u skladu sa lokalnim regulativama koje se odnose na ove uređaje, jer sadrži zapaljivi gas i rashladno sredstvo.
36. UPOZORENJE: Puniti aparat samo pijaćom vodom.
37. UPOZORENJE: Otvori za ventilaciju na uređaju moraju biti oslobođeni svih prepreka.
38. UPOZORENJE: Ne koristite mehaničke uređaje ili druga sredstva za ubrzavanje procesa odmrzavanja, osim onih koja su preporučena od strane proizvođača.
39. UPOZORENJE: Ne oštećujte rashladno kolo.
40. UPOZORENJE: Ne koristite električne uređaje u pregradama za odlaganje hrane na uređaju, osim ako oni nisu preporučeni od strane proizvođača.
41. Ne stavljajte u ovaj uređaj eksplozivne materije kao što su aerosolne kante sa zapaljivim gorivom.
42.  Upozorenje: Opasnost od požara / zapaljivih materija.
43. UPOZORENJE: Prilikom postavljanja uređaja vodite računa da kabl za napajanje nije nečim pritisnut ili oštećen.
44. UPOZORENJE: Nemojte sa zadnje strane uređaja postavljati veći broj prenosivih utičnica i prenosivih izvora napajanja.
45. Uređaj je namijenjen za upotrebu u domaćinstvima i sličnim okruženjima kao što su:
- kuhinske prostorije u prodavnicama, kancelarijama i drugim poslovnim prostorijama;
 - seoske kuće i hoteli, moteli i ostala okruženja stambenog tipa u kojima borave klijenti;
 - pansioni i slične turističke prostorije;
 - ugostiteljstvo, catering i slični maloprodajni objekti.
46. Sačuvajte ovo uputstvo.

UPOZNAJTE VAŠ UREĐAJ



(Proizvod može podleći promjeni bez prethodne najave)

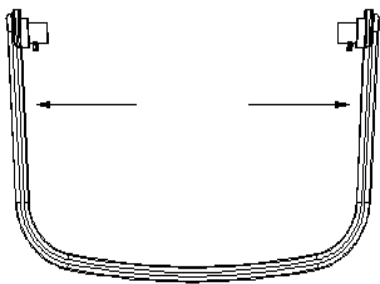
KONTROLNA TABLA



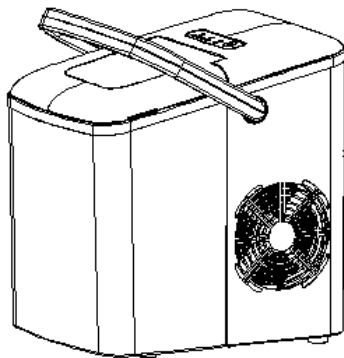
Taster (sa indikatorom)	Funkcija
ON/OFF	Početak ili prekid rada uređaja; Dugi pritisak na taster za čišćenje uređaja;
ICE/ LED	Režim pripravnosti: "ICE" indikator treperi; Stanje čišćenja: "ICE" indikator treperi brže; Stanje rada: "ICE" indikator svijetli ujednačeno.
ICE FULL/ NAPUNJEN LED	"ICE FULL" indikator svijetli kada je korpa za led puna ledom
ADD WATER/ DODAVANJE VODE	"ADD WATER" indikator svijetli kada u rezevoaru nedostaje voda

PRIJE PRVE UPOTREBE

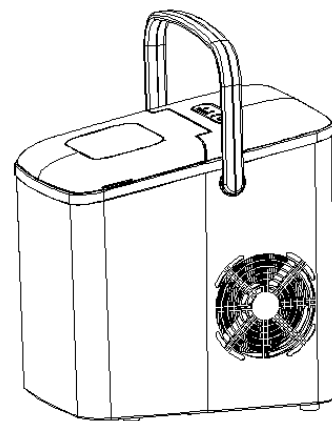
1. Raspakujte uređaj, a zatim provjerite sve dodatke, uključujući korpu za led i lopaticu za led. Ukoliko neki dodatak nedostaje, kontaktirajte korisnički servis.
2. Da biste postavili ručku u pravilan položaj, slijedite postupak naveden ispod.
 - 1) Uхватите rukama obje strane ručke označene strelicama i povucite ih ka spolja. (Slika 1)
 - 2) Postavite ručku tako da je u ravni sa rupama na kućištu, pustite je iz ruku, a zatim umetnite ručku u rupe na kućištu. (Slika 2)
 - 3) Povucite ručku i uspravite je, a zatim povucite obje strane ručke ka spolja, prateći postupak iz koraka broj 1. Provjerite da li je ručka postavljena dobro u rupama na kućištu.
 - 4) Držite sredinu ručke i podignite je naviše (Slika 3), a zatim provjerite da li je sve ispravno postavljeno.



Sl.1



Sl.2



Sl.3

3. Kako biste izbjegli kvarove, provjerite da li je aparat za pravljenje leda postavljen ravno na stabilan sto ili drugu površinu

4. Ugao nagiba aparata za pravljenje leda ne smije biti veći od 45° tokom transporta ili upotrebe. Ne okrećite aparat za led naopako. To može dovesti do nepravilnog rada kompresora ili rashladnog sistema. Pustite da se tečnost u kompresoru slegne nakon pomjeranja ili transportovanja aparata za pravljenje leda. Prije prve upotrebe aparata za pravljenje leda, sačekajte da prođe 2 sata od pravilnog postavljanja uređaja na odgovarajuće mjesto.

5. Uređaj treba postaviti na suhu i ravnu površinu sa dovoljno ventilacije, daleko od izvora toplote kao što su rerne, grijači i korozivni gasovi. Ostavite razmak od oko 15cm sa svih strana uređaja, kako bi se omogućila normalna ventilacija.

6. Nemojte puniti rezervoar za vodu toplom vodom, jer to može oštetiti aparat za pravljenje leda. Najbolje je da rezervoar puniti vodom koja je sobne temperature ili niže.

7. Ne koristite uređaj u veoma hladnom okruženju (na temperaturi nižoj od 5°C).

8. Očistite uređaj prije upotrebe prateći uputstva iz dijela “**ČIŠĆENJE I ODRŽAVANJE**”.

KORIŠĆENJE APARATA ZA PRAVLJENJE LEDA

1. Provjerite da li je odvodni čep na dnu rezervoara za vodu dobro zatvoren.

2. Uključite uređaj u zidnu utičnicu i taster “ICE” počinje da treperi.

NAPOMENA: Ostavite aparat za pravljenje leda da odstoji 30 minuta prije uključivanja ukoliko je prethodno pomjeran / transportovan.

3. Otvorite gornji poklopac i pomjerite korpu za led.

4. Napunite rezervoar za vodu pijaćom vodom.

NAPOMENA: Nemojte puniti rezervoar iznad oznake MAX, koja označava maksimalni nivo vode.

5. Vratite na mjesto korpu za led i zatvorite gornji poklopac.
6. Pritisnite taster "ON/OFF" i taster "ICE" počinje da svijetli ujednačeno.
7. Ciklus pravljenja leda traje u prosjeku od 7 do 15 minuta, u zavisnosti od ambijentalne temperature i temperature vode.
8. Ciklus pravljenja leda započinje upumpavanjem vode u posudu za led, koja se nalazi ispod isparivača. Tokom narednih 7-15 minuta formira se led na isparivaču. Nakon što se taj proces završi, posuda za led se naginje unazad, a preostala voda u posudi za led se istače nazad u rezervoar za vodu. Kocke leda zatim padaju sa isparivača i bivaju izgurane lopatom za led naprijed u korpu za led. Posuda za led se automatski vraća na mjesto ispod isparivača i počinje sljedeći ciklus.
9. Indikator "ICE FULL" počinje da svijetli kada je korpa za led puna, a zatim ciklus pravljenja leda automatski prestaje. Kašikom za led nježnim pokretima sklonite led iz korpe za led. Za oko 7,5 sekundi kasnije, aparat za pravljenje leda automatski ponovo započinje sa funkcijom pravljenja leda.
10. Indikator "ADD WATER" počinje da svijetli kada u rezervoaru nema dovoljno vode i ciklus pravljenja leda automatski prestaje. Ukoliko zaboravite da restarujete (ponovo pustite u rad) uređaj nakon što ste dodali vodu, uređaj automatski počinje ponovo sa radom nakon otprilike 20 minuta.
11. Kada dobijete željenu količinu leda, pritiskom na taster "ON/OFF" prekinite ciklus pravljenja leda i isključite uređaj iz zidne utičnice.
12. Otvorite gornji poklopac i prebacite led u zamrzivač.
13. Pustite da se temperatura uređaja ujednači sa sobnom temperaturom.
14. Preporučljivo je da svake nedelje mijenjate vodu. Ispraznite rezervoar za vodu ukoliko uređaj ne koristite duži vremenski period.

ČIŠĆENJE I ODRŽAVANJE

Preporučljivo je da uređaj čistite jednom nedeljno kako bi led zadržao dobar ukus, a uređaj dobar izgled.

1. Zaustavite ciklus pravljenja leda pritiskom na taster "ON / OFF", isključite aparat za

led iz zidne utičnice i ostavite ga da se zagrije do sobne temperature.

2. Ukoliko se u posudi za led nađe zaostala voda, lagano gurnite unazad posudu za led tako da sva voda isteče u rezervoar za vodu.

3. Udaljite uređaj 60 mm od radne ploče i otvorite odvodni čep kako biste ispustili višak vode (Slike 4, 5 i 6).

4. Pomjerite korpu za led.

5. Očistite unutrašnjost aparata za pravljenje leda mekom krpom natopljenom toplom vodom i sirćetom, isperite čistom vodom, a zatim ocijedite svu vodu.

6. Vratite odvodni čep na njegovo mjesto. Korpu i kašiku za led operite toplom, sapunjavom vodom. Dobro ih isperite i osušite.

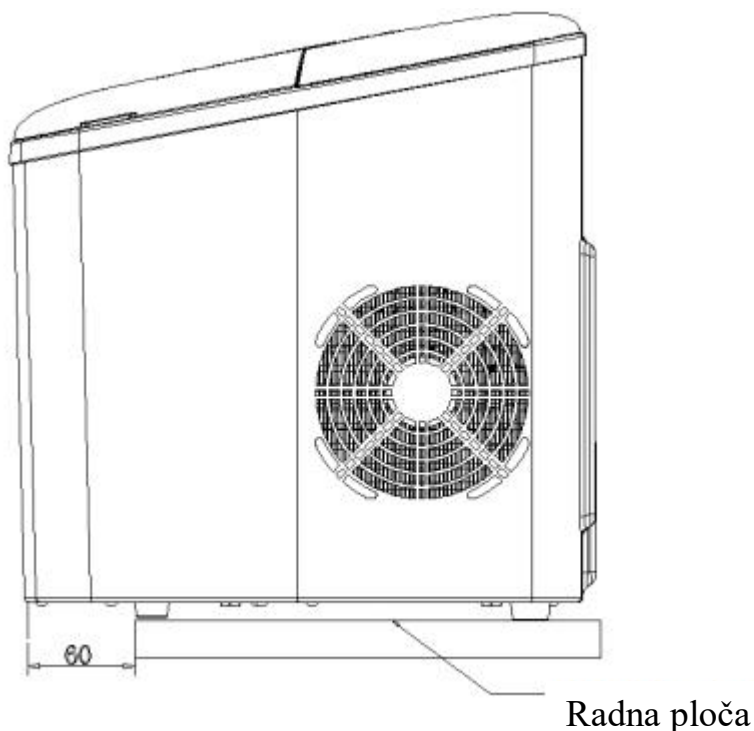
7. Spoljašnjost aparata za pravljenje leda obrišite mekom, vlažnom krpom. Ukoliko je neophodno, možete upotrebiti tečnost za sudove.

NAPOMENA:

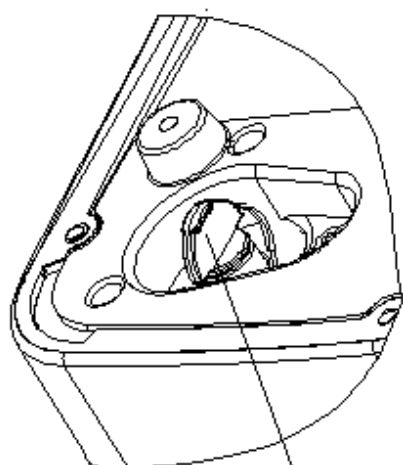
1) Za čišćenje uređaja nemojte koristiti organske rastvarače, ključalu vodu, deterdžent, jaka kisela i alkalna sredstva i slično.

2) Ne čistite isparivač.

8. Ispraznite rezervoar za vodu i osušite ga, prije nego što odložite uređaj ukoliko ne planirate da ga koristite duži vremenski period.

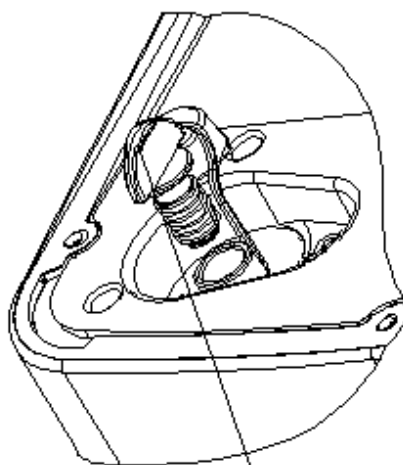


(S1.4)



Odvodni čep

(SI.5)



Odvodni čep

(SI.6)

RJEŠAVANJE PROBLEMA

Problem	Mogući uzroci	Rješenje
Uključuje se indikator za "ADD WATER" / Dodavanje vode	<ol style="list-style-type: none"> 1. Malo vode ili nedostatak vode. 2. Ekran za vodu na dnu rezervoara je blokiran. 3. Kvar na pumpi. 	<ol style="list-style-type: none"> 1. Prekinite pravljenje leda, dodajte vodu, a zatim pritisnite taster "ON/OFF" da biste restartovali ciklus pravljenja leda. 2. Očistite. 3. Odnosite uređaj u ovlašćeni servis na popravku.
Uključuje se indikator "ICE FULL" / Napunjen led	<ol style="list-style-type: none"> 1. Korpa za led je puna i infracrveno svjetlo je blokirano ledom. 2. Prijemna i emitirajuća dioda sa infracrvenim svjetlom ne rade. 	<ol style="list-style-type: none"> 1. Uklonite led iz korpe za led. 2a. Obrišite prijemnu i emitirajuću diodu sa infracrvenim svjetlom i restartujte uređaj. 2b. Pozovite ovlašćeni servisni centar ukoliko prijemna i emitirajuća dioda i dalje ne rade nakon što ste ih obrisali i resetovali uređaj.

Led ispada u gomili / Zaljepljene kocke leda	Pravljenje leda traje predugo.	Prekinite pravljenje leda i nakon što se led otopi, restartujte uređaj.
	Voda u rezervoaru je previše niske temperature.	Napunite rezervoar za vodu vodom koja je temperature između 8°C i 25°C.
Ciklus pravljenja leda izgleda normalno, ali nema leda	Ambijentalna temperatura ili temperatura vode je previše visoka.	Započnite ciklus pravljenja leda na temperaturi od 32°C i napunite rezervoar hladnom vodom.
	Rashladni sistem curi.	Pozovite korisnički servis.
	Rashladni sistem je blokiran.	Pozovite korisnički servis.
Loši rezultati pravljenja leda	<ol style="list-style-type: none"> 1. Slaba disipacija toplote. 2. Temperatura vode je previsoka. 3. Ambijentalna temperatura je previsoka. 	<ol style="list-style-type: none"> 1. Ostavite prazan prostor od po 15 cm sa svake strane uređaja, radi dobre ventilacije. 2. Napunite rezervoar vodom koja je temperature između 8°C i 28°C. 3. Ambijentalna temperatura uređaja koji radi treba da je između 10°C i 32°C.

TEHNIČKI PARAMETRI

Model: EM2100

Prikladni klimatski uslovi: ST/SN/N/T

Klasa: I

Izvor napajanja: 220-240V/50Hz

Nominalna snaga: 120W

Rashladno sredstvo/Količina rashladnog sredstva: R600a/23g

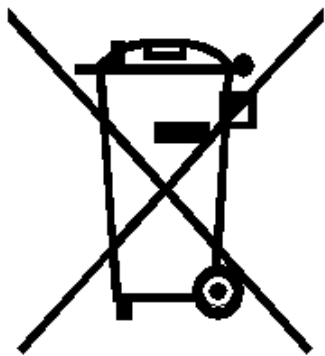
Sredstvo za pjenu: C₅H₁₀

Neto težina: 8.3Kg

Kućište: PP

Dimenzije uređaja (D/ Dubina x W/ Širina x H/ Visina) : 310*230*325mm

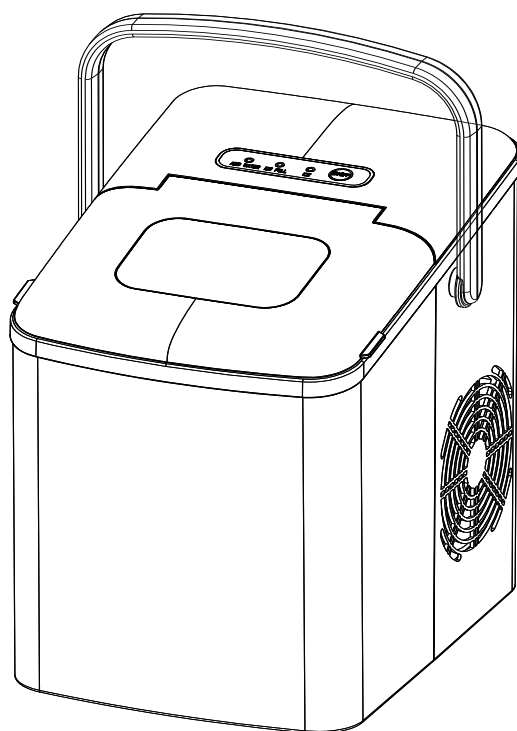
EKOLOŠKO ODLAGANJE



Možete pomoći zaštititi životne sredine! Poštujte lokalne propise: neispravnu električnu opremu predajte odgovarajućem centru za odlaganje otpada.

ЛЕДОМАТ

УПАТСТВО ЗА УПОТРЕБА



EM2100

Внимателно прочитајте го упатството пред употреба и чувајте го за понатамошна употреба


ВАЖНИ БЕЗБЕДНОСНИ УПАТСТВА

За да го намалите ризикот од пожар, експлозија, електричен шок или повреди при користење на ледоматот, следете ги овие важни безбедносни упатства:

1. Пред употреба да се провери дали напонот на ѕидниот штекер одговара со напонот на етикетата на уредот.
2. Не отстранувајте ги етикети за безбедност, предупредување или информации за производот од ледоматот.
3. Вметнете го ледоматот во посебен заземјен штекер. Ниту еден друг уред не смее да се вклучи во истиот штекер. Бидете сигурни дека приклучокот е целосно вметнат.
4. Овој уред мора да биде заземјен. Тој е опремен со кабел за напојување со приклучок за заземјување. Приклучокот мора да се вклучи во штекер што е правилно инсталиран и заземјен.
5. Избегнувајте употреба на продолжен кабел, бидејќи може да се загрее и да предизвика опасност од пожар. Меѓутоа, ако е потребно да се користи продолжен кабел:
 - 1) Користете само кабел за продолжување со приклучок за заземјување.
 - 2) Означениот рејтинг на продолжен кабел мора да биде еднаков или поголем од рејтингот на овој уред.
 - 3) Треба да се постави така што да не се спушти преку шанкот или маса, каде што децата можат намерно да ги влечат.
6. Не користете го уредот ако се оштети кабелот, приклучок или при било какво друго оштетување. Однесете го уредот во овластен сервис на преглед, поправка и подесување
7. Ако кабелот за напојување е оштетен, тој мора да биде заменет од производителот, неговиот агент за услуги или слично квалификувани лица за да се избегне опасност.
8. За уредите што користат изолација со запаливи гасови што дуваат, упатството вклучува информации за отстранување на уредот.
9. Не дозволувајте кабелот да виси преку раб од маса или загреани површини
10. Не поставувајте го апаратот на или во близина на гас или електричен шпорет, или во загреана рерна.
11. Поставете го кабелот за напојување на таков начин што децата не можат да го влечат или да предизвика сопнување.
12. Поставете го кабелот за напојување на таков начин што не е во контакт со топли површини.
13. Употребата на дополнителната опрема која не е препорачана од производителот на уредот, може да предизвика пожар, електричен шок или повреди на лицето.
14. Не допирајте го испарувачот кога го користите ледоматот или правите мраз за да избегнете смрзнатини.
15. Не потопувајте ниту еден дел од производот во вода.
16. За да го исклучите, свртете ги сите контроли на „OFF“, а потоа отстранете го приклучокот од ѕидниот штекер.
17. Не приклучувајте или исклучувајте го производот со влажни раце.
18. Отстранете го приклучокот од штекерот кога не го користите уредот или пред чистење и одржување на уредот.

19. Не користете вода што не е микробиолошки безбедна или со непознат квалитет.
20. Не чистете го ледоматот со запаливи течности. Испарувањето може да создадат опасност од пожар или експлозија.
21. Не превртувајте го ледоматот. Ако ледоматот случајно е соборен, поставете го стабилно 2 часа пред да го вклучите повторно.
22. Ако производителот на мраз е донесен од надвор во зима, не користете неколку часа, дозволувајќи му на уредот да се загрее до собната температура пред да работи.
23. Никогаш не ставајте запаливи, експлозивни и корозивни производи во ледоматот.
24. Никогаш не го користете ледоматот кога има истекување на запалив гас.
25. Никогаш не чувајте и користете гас и други запаливи производи во близина на ледоматот за да избегнете пожар.
26. Исклучете го ледоматот пред да го преместите за да не се оштети системот за ладење.
27. Не обидувајте се да го расклопите, поправите, модифицирате или замените кој било дел од вашиот производ.
28. Децата не можат да играат со уредот.
29. Овој уред може да го користат деца на возраст од најмалку 8 години и лица со намален физички, сензорен или ментален капацитет, како и лица кои немаат доволно искуство и знаење доколку се под надзор или добиле упатства за употреба на овој уред во безбедна начин и да ги разбереме поврзаните опасности
30. Чистењето и одржувањето на уредот не смее да го вршат деца освен ако не се надгледувани.
31. Блискиот надзор е неопходен кога уредот го користат или е во близина на деца.
32. Не оставајте уредот да работи без надзор
33. Не користете го уредот на отворено.
34. Не користете го уредот за никаква друга цел освен онаа за која е наменета.
35. Ве молиме, отстранете го ледоматот во согласност со локалните регулативи во врска со отстранување на уредот бидејќи користи запалив гас и средство за ладење.
36. ПРЕДУПРЕДУВАЊЕ: Полнете само со вода за пиење.
37. ПРЕДУПРЕДУВАЊЕ: Чувајте ги не попречени отворите за вентилација, на куќиштето на уредот или во вградената структура.
38. ПРЕДУПРЕДУВАЊЕ: Не користете механички уреди или други средства за да го забрзате процесот на одмрзнување, освен оние што ги препорача производителот.
39. ПРЕДУПРЕДУВАЊЕ: Не оштетувајте го колото за ладење.
40. ПРЕДУПРЕДУВАЊЕ: Не користете електрични уреди во одделите за чување храна на уредот, освен ако не се од типот што го препорача производителот.
41. Не чувајте експлозивни материи како што се лименки со аеросоли или со запаливи супстанции во овој уред.



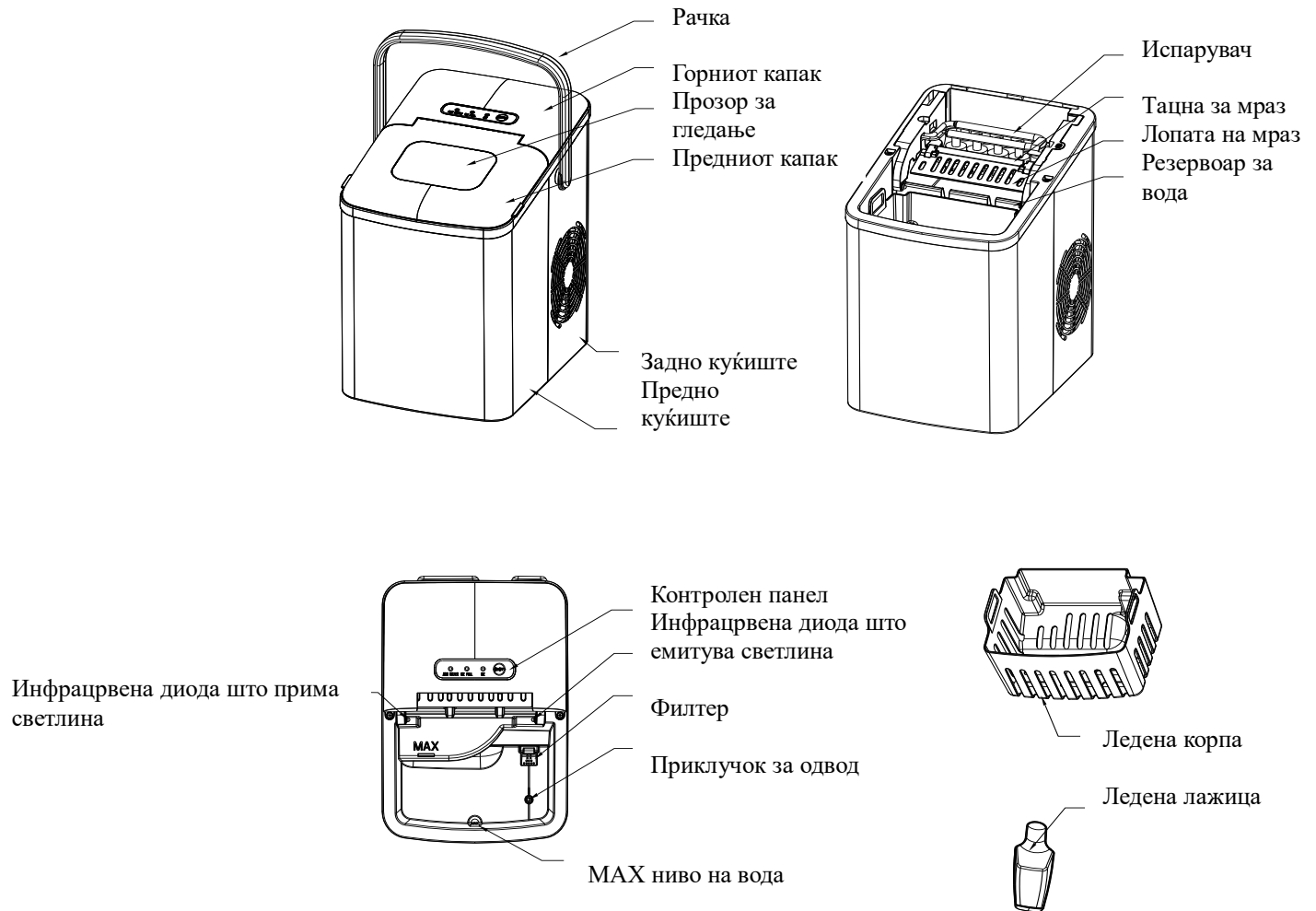
42.  Предупредување: ризик од пожар / запаливи материјали
43. ПРЕДУПРЕДУВАЊЕ: Кога го поставувате уредот, проверете дали кабелот за напојување не е заглавен или оштетен.
44. ПРЕДУПРЕДУВАЊЕ: Не поставувајте повеќе преносни приклучоци или преносни напојувања на задниот дел од апаратот.
45. Овој уред е наменет за користење во домаќинство и за слични примени како што

се:

- кујни во продавници, канцеларии и други работни опкружувања
- на фарми
- за гости во хотели, мотели и други резиденциски објекти
- во пансионски за ноќевање со доручек
- угостителски и слични апликации што не се во малопродажба.

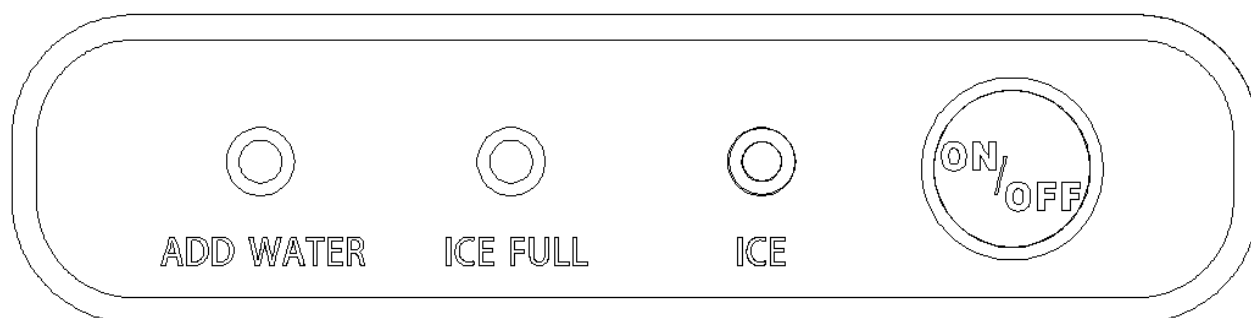
46. Чувајте го оваа упатство.

ЗАПОЗНАЈТЕ ГО ВАШИОТ ЛЕДОМАТ



(Производот може да подлежи на промена без претходно предупредување)

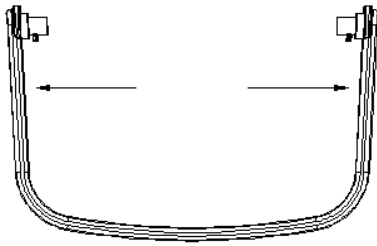
КОНТРОЛНА ТАБЛА



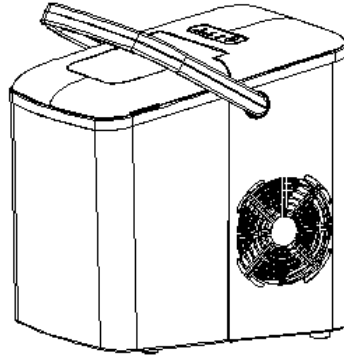
Копче (со индикатор)	Функција
ON/OFF	Стартување или стопирање на уредот; Долго притиснете за чистење;
ICE	Режим на подготвеност: “ICE” индикаторот трепка; Режим на чистење: “ICE” индикаторот трепка побрзо; Режим на работа: “ICE” индикаторот свети непрекинато.
ICE FULL	“ICE FULL” индикаторот се пали кога корпата за мраз е полна.
ADD WATER	“ADD WATER” индикаторот се пали кога во резервоарот нема доволно вода.

ПРЕД ПРВАТА УПОТРЕБА

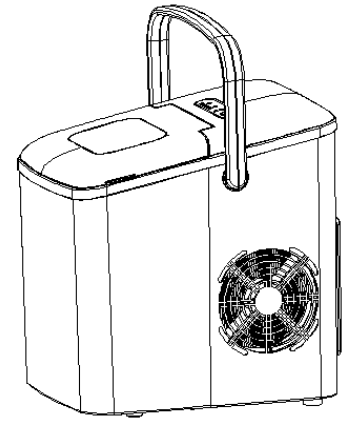
1. Отпакувајте го уредот, потоа проверете дали сите додатоци се присутни, вклучително и корпа за мраз и лажичка за мраз. Ве молиме, контактирајте со одделот за услуги на клиентот ако недостасуваат некои додатоци.
2. Ве молиме следете ја работата како што е подолу наведено за да ја инсталирате рачката добро во положба.
 - 1) Фатете ги двете страни на рачката прикажана со стрели со раце и повлечете ги нанадвор (видете слика 1).



Сл.1



Сл.2



Сл.3

2) Направете ја рачката усогласена со дупките на куќиштето и ослободете ги рацете, потоа рачката се вметнува во дупките на куќиштето (видете слика 2).

3) Повлечете ја и направете ја рачката исправена, потоа повлечете ги двете страни на рачката нанадвор со следење на работата на Чекор 1). Проверете дали рачката треба да се постави добро на дупките на куќиштето.

4) Фатете го центарот на рачката и подигнете го нагоре (видете Сл.3), проверете и дали нема да има абнормална состојба.

3. Ве молиме, проверете дали ледоматот е левелиран и на стабилна маса или платформа за да избегнете дефект.

4. Аголот на наклон на ладилникот за создавање мраз не треба да надминува 45° за време на транспортот или користењето. Не го свртувајте ледоматот наопаку. Со тоа може да се предизвика компресорот или системот за ладење да работи неправилно. Ве молиме, оставете време за течностите во компресорот да се стабилизираат откако производителот на мраз се преместува или транспортира. Пред да го користите ледоматот за прв пат, ве молиме почекајте 2 часа откако единицата ќе се левелира и постави на соодветно место.

5. Уредот мора да биде поставен на сува и рамна површина со доволно вентилација, далеку од изворите на топлина, како што се печки, грејачи и корозивни гасови. Оставете околу 6-инчи (15см) простор од сите страни на ледоматот за соодветна вентилација.

6. Не го полнете резервоарот за вода со топла вода. Ова може да го оштети ледоматот. Најдобро е да го наполните резервоарот за вода со вода на собна температура или пониска.

7. Не користете го уредот на многу ладна околина (пониско од 5°C).

8. Чистете го уредот следејќи ја работата на „**ЧИСТЕЊЕ И ОДРЖУВАЊЕ**“ пред да работите.

КОРИСТЕЊЕ НА ВАШИОТ ЛЕДОМАТ

1. Осигурете се дека приклучокот за одвод на дното на резервоарот за вода е добро затворен.

2. Вметнете го ледоматот во сидниот штекер, индикаторот „ICE“ трепка.

ЗАБЕЛЕШКА: Ве молиме, ледоматот да се одмори 30 минути пред приклучување ако е преместуван.

3. Отворете го горниот капак и извадете ја корпата за мраз.

4. Наполнете го резервоарот со вода за пиење.

ЗАБЕЛЕШКА: Немојте да полнете повеќе од ознаката MAX за нивото на вода.

5. Заменете ја корпата за мраз и затворете го горниот капак.

6. Притиснете го копчето „ON/OFF“ и индикаторот „ICE“ ќе засвети.

7. Циклусот на правење мраз ќе трае приближно 7-15 минути, во зависност од температурата на околината и температурата на водата.

8. Циклусот на правење мраз започнува со водата што се пумпа во ледената лента сместена под испарувачот. Во текот на следните 7-15 минути мраз се формира на испарувачот. Откако ова ќе заврши, садот за мраз ќе се навали нанзад, а преостанатата вода во садот за мраз се исцеди назад во резервоарот за вода. Ледените коцки потоа се исфрлаат од испарувачот и се туркаат напред во корпата за мраз од ледената лопатка. Ледената лента автоматски ќе се врати во позиција под испарувачот и ќе започне следниот циклус.

9. Индикаторот „ICE FULL“ ќе засвети кога мразот ќе се наполни, а ледоматот автоматски ќе го запре циклусот на правење мраз. Нежно извадете го мразот од корпата за мраз со лажичка за мраз. Околу 7,5 секунди подоцна, производителот на мраз автоматски ќе ја рестартира својата функција за правење мраз.

10. Индикаторот „ADD WATER“ ќе светне кога резервоарот за вода има недостаток на вода и циклусот на правење мраз автоматски ќе запре. Во тоа време, извадете ја корпата за мраз и додадете вода во резервоарот за вода, а потоа повторно притиснете го копчето "ON/OFF" за да го рестартирате циклусот на правење мраз. Уредот ќе започне да работи автоматски по околу 20 минути ако операторот заборава да го рестартира уредот по повторно напојување.

11. Кога ја имате добиено посакуваната количина мраз, запрете го циклусот на правење мраз со притискање на копчето „ON/OFF“ и исклучете го уредот од ѕидниот штекер.

12. Отворете го горниот капак и пренесете го мразот во замрзнувач.

13. Дозволете ледоматот да достигне собна температура.

14. Предложете замена на водата секоја недела. Ве молиме, испразнете го резервоарот за вода ако ледоматот не се користи подолго време.

ЧИСТЕЊЕ И ОДРЖУВАЊЕ

За да го задржите вкусот на мразот свеж и вашиот ледомат изгледа одлично, препорачуваме да го чистите вашиот ледомат еднаш неделно.

1. Запрете го циклусот на правење мраз со притискање на копчето "ON/OFF", исклучете го ледоматот од ѕидниот штекер и оставете го да се загрее до собна температура.

2. Ако преостанатата вода се најде во садот за мраз, нежно притиснете ја фиоката за мраз назад, така што целата вода ќе се исцеди во резервоарот за вода.

3. Поместете го уредот напред на место оддалечено од 60мм од работната маса и отворете го приклучокот за одвод за да исцеди вишокот вода (видете Сл.4, Сл. 5 и Сл.6).

4. Отстранете ја корпата за мраз.

5. Исчистете ја внатрешноста на ледоматот со мека крпа натопена со топла вода и оцет, а потоа исплакнете со чиста вода и потоа исцедете ја целата вода.

6. Вратете го приклучокот за одводнување во положба. Измијте ја корпата за мраз и лажичката во мраз во топла сапунеста вода. Исплакнете и исушете.

7. Исчистете ја надворешноста на ледоматот со мека влажна крпа. Користете благ сапун за миење садови, доколку е потребно.

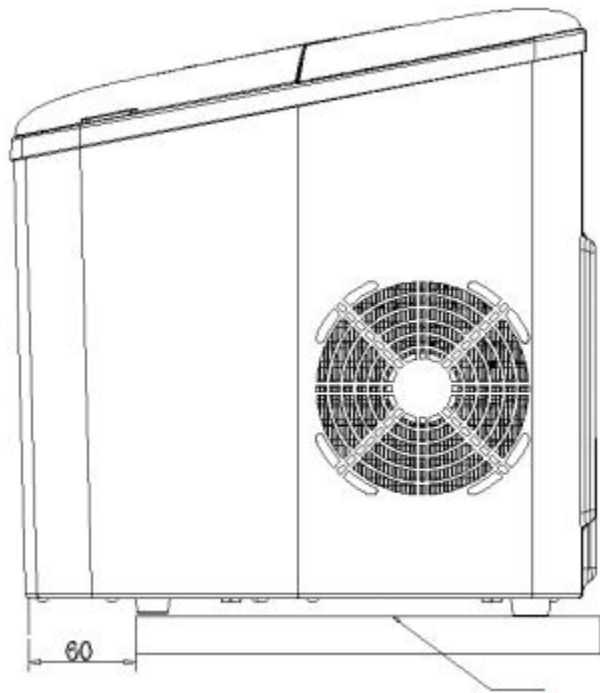
ЗАБЕЛЕШКА:

1) Не користете органски растворувач, зовриена вода, детергент, силна киселина и силен алкали и др за чистење.

2) Не чистете го испарувачот.

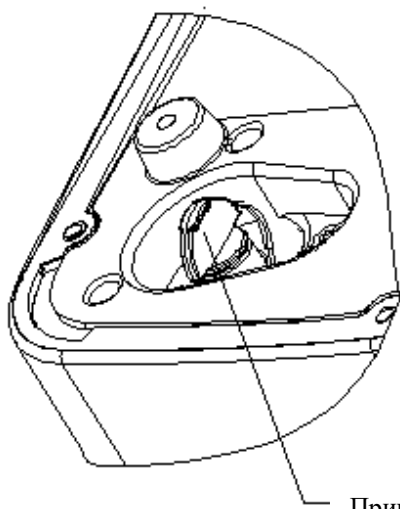
8. Ве молиме испуштете го резервоарот за вода и исушете го за чување ако

ледоматот не се користи подолго време.



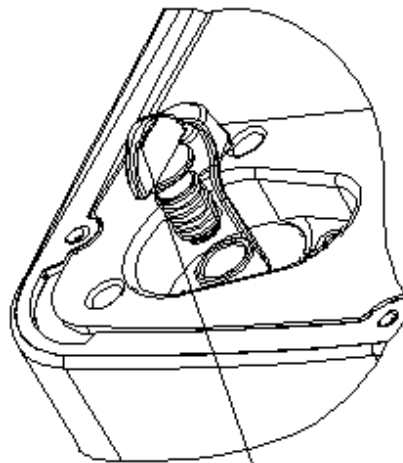
Работна маса

(Сл.4)



Приклучок за одвод

(Сл.5)



Приклучок за одвод

(Сл.6)

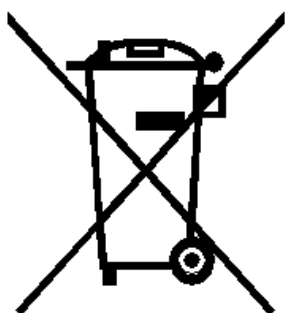
РЕШАБАЊЕ ПРОБЛЕМИ

Проблем	Можни причини	Солуција
“ADD WATER” индикаторот се вклучува	<ol style="list-style-type: none"> 1.Ниско ниво на вода или недостаток на вода 2.Решетката за вода на дното на резервоарот за вода е блокиран. 3. Дефект на пупмата. 	<ol style="list-style-type: none"> 1. Запрете го правењето на мраз, повторно наполнете вода и потоа притиснете го копчето "ON/OFF" за да го рестартирате циклусот на правење мраз. 2. Извршете чистење 3. Испратете го до овластениот оддел за поправка.
“ICE FULL” индикаторот се вклучува	<ol style="list-style-type: none"> 1. Корпата за мраз е полна, а инфрацрвената светлина е блокирана од мразот. 2. Инфрацрвената диода што емитува светлина и диодата што прима светлина не функционираат 	<ol style="list-style-type: none"> 1. Отстранете го мразот од корпа за мраз. 2а. Избришете ги страните предмети на инфрацрвената диода што емитуваат светлина и диодата што прима светлина и повторно вклучете го ледоматот. 2б. Јавете се на услугата за клиенти ако инфрацрвената диода што емитува светлина и диодата што прима светлина сè уште не можат да работат по бришењето на страните објекти на нив и повторно стартување на ледоматот.
Мразот се собира заедно.	За правење мраз е потребно премногу време.	Престанете да правите мраз и повторно започнете го циклусот на ледување

		откако мразот се топи.
	Водата во резервоарот за вода е со премногу ниска температура.	Наполнете го резервоарот за вода со вода помеѓу 8°C и 25°C.
Циклусот на правење мраз изгледа нормален, но не се произведува мраз.	Температурата на околината или температурата на водата е премногу висока.	Започнете го циклусот на правење мраз во околина со температура помала од 32 °C и нап пополнете го резервоарот за вода со малку ладна вода.
	Истекување на системот за ладење	Јавете се на услуги на клиентите
	Блокади на систем за ладење	Јавете се на услуги на клиентите
Лош резултат на правење мраз	<ol style="list-style-type: none"> 1. Лошо дисипација на топлина. 2. Температурата на водата е превисока. 3. Амбиенталната температура е превисока. 	<ol style="list-style-type: none"> 1. Оставете 6-инчен простор од сите страни на ледоматот за соодветна вентилација. 2. Наполнете го резервоарот за вода со вода помеѓу 8°C и 28°C. 3. Управувајте со ледоматот на околина во амбиентална температура помеѓу 10°C и 32°C.

ТЕХНИЧКИ ПАРАМЕТРИ

Модел:	EM2100
Применлива клима:	ST/SN/N/T
Класа:	I
Извор на енергија:	220-240V/50Hz
Номинална моќност:	120W
Ладилна/ладилна количина:	R600a/23g
Агент за пенење:	C ₅ H ₁₀
Нето тежина:	8.3Kg
Куќиште:	PP
Димензии на единицата (ДХШХВ):	310*230*325mm



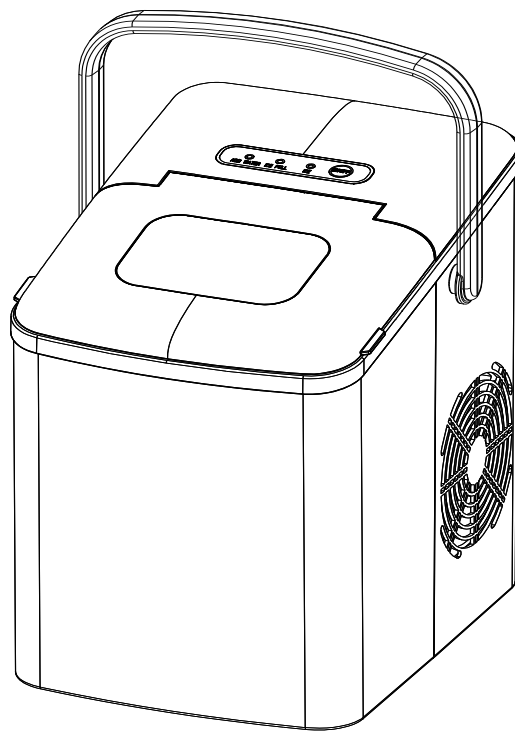
ЕКОЛОШКО ОТСРАНУВАЊЕ

Можете да помогнете во заштита на Животната средина! Ве молиме да ги почитувате локалните законски регулативи: сите неисправни електрични уреди треба да се предадат на соодветни центри за рециклирање,



APARAT PËR PËRGATITJEN E AKULLIT

UDHËZIMI PËR PËRDORIM



EM2100


Lexoni këtë udhëzim me kujdes para përdorimit dhe ruane për përdorim të mëtejshëm

UDHËZIME TË RËNDËSISHME TË SIGURISË

Për të zvogëluar rrezikun nga zjarri, eksplozimi, goditja e rrymës elektrike ose lëndimet me rastin e përdorimit të aparatit për akull, lexoni këto udhëzime të sigurisë:

1. Para përdorimit verifikoni nëse tensioni i rrymës i përgjigjet tensionit që është dhënë në pllakën e pajisjes.
2. Mos i hiqni shenjat e sigurisë, vërejtjet ose informacionet për produktin nga pajisja për përgatitjen e akullit.
3. Futni aparatin për akull në prizë të tokëzuar. Asnjë pajisje tjetër nuk guxon të jetë e futur në prizën e njëjtë. Përkujdesuni që kablli të jetë i vendosur mirë në prizë.
4. Kjo pajisje duhet patjetër të jetë e tokëzuar. Është e pajisur me kabllin për furnizim me tokëzim. Kablli duhet të jetë i futur në prizë e cila është e vendosur në mënyrë të rregullt dhe e tokëzuar.
5. Shmangni përdorimin e kabllor së zgjatuar sepse mund të tejngrohet dhe të shkaktojë rrezik nga zjarri. Por, nëse duhet të përdoret kabllor zgjatuese:
 - 1) Përdorni vetëm kabllor zgjatuese me prizë të tokëzuar.
 - 2) Tensioni i kabllor së zgjatuar duhet të jetë i njëjtë ose më i lartë se sa tensioni i kësaj pajisjeje.
 - 3) Kabllon e zgjatuar duhet vendosur ashtu që të mos varet nga tavolina ku mund ta tërheqin fëmijët me qëllim.
6. Mos e përdorni aparatin me kabllor ose me prizë të dëmtuar pas punës së parregullt ose dëmtimit të pajisjes në asnjë mënyrë. Pajisjen dërgone te servisuesi më i afërm i autorizuar për riparim.
7. Nëse kablli për furnizim është i dëmtuar, atë duhet ta ndërrojë prodhuesi, servisuesi ose personi me kualifikime të njëjta për të parandaluar çfarëdo rreziku.
8. Në rast të hedhjes/deponimit të pajisjes, duhet t'iu përmbaheni udhëzimeve të cilat kanë të bëjnë me hedhjen e pajisjeve të cilat përdorin gazra të ndezshme.
9. Mos e lini kabllin që të lëvaret nga skaji i tavolinës.
10. Mos e lini pajisjen në afërsi të gazit të nxehtë ose shporetit elektrik dhe as në furrë të nxehtë.

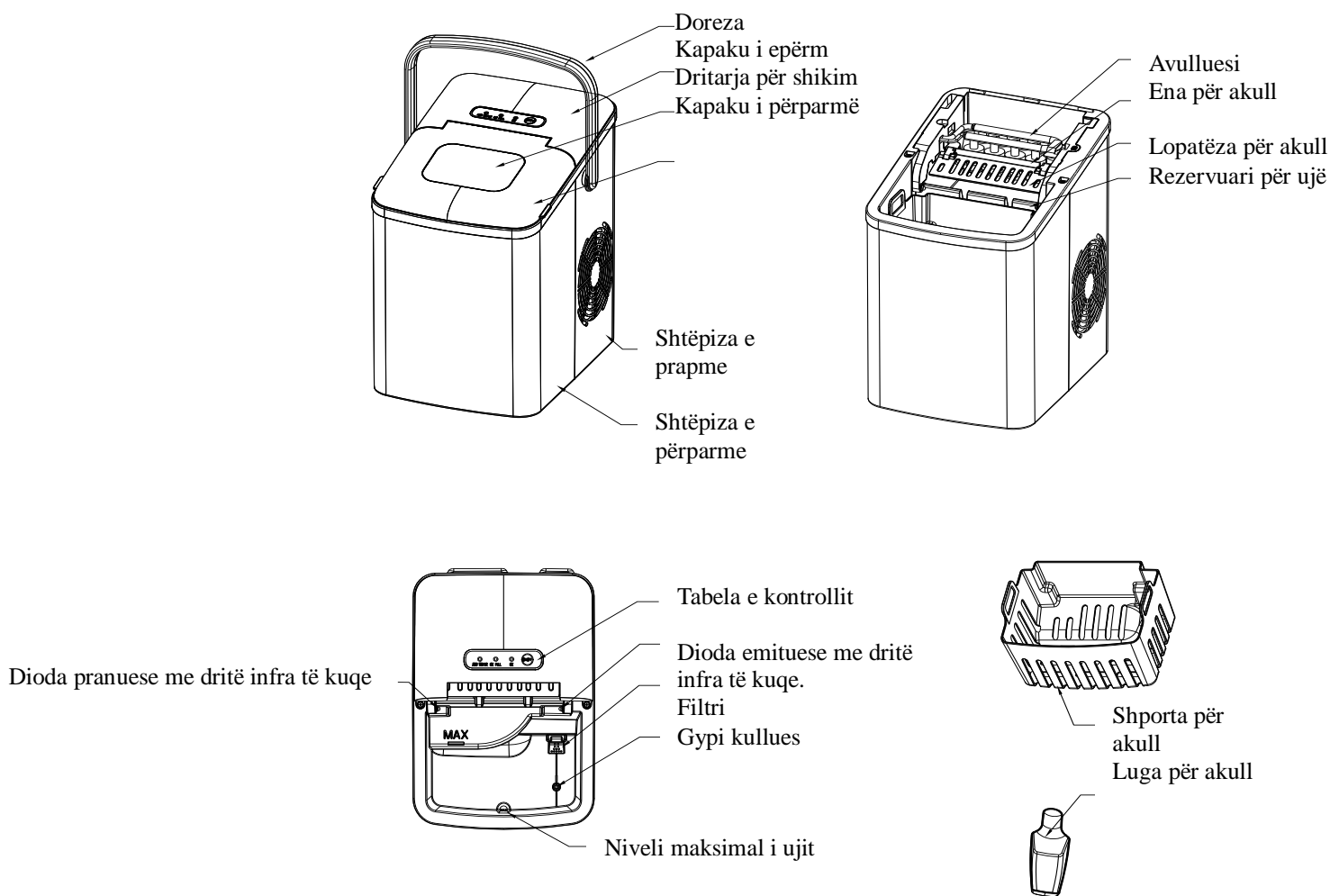
11. Vendosni kabllin e rrymës në mënyrë që fëmijët të mos mund ta tërheqin ose që paraqesin rrezik nga ngatërrimi.
12. Vendosni kabllin e rrymës ashtu që të mos jetë në kontakt me sipërfaqet e ngrohta.
13. Përdorimi i shtojcave të cilat prodhuesi nuk i rekomandon ose nuk i shet mund të shkaktojnë zjarr, goditje të rrymës ose lëndime.
14. Mos e prekni avulluesin gjatë punës së aparatit për përgatitjen e akullit, sepse mund të shkaktohen ngrica.
15. Mos i futni pjesët e pajisjes në ujë.
16. Për të shkyqur pajisjen, sillni cilindro buton të kontrollit në pozicionin „OFF“, pastaj hiqni kabllin nga priza e murit.
17. Mos e kyqni apo mos e fikni pajisjen nga priza e murit me duar të lagura.
18. Shkyqni pajisjet nga priza e murit para pastrimit dhe mirëmbajtjes edhe kur nuk është në përdorim.
19. Mos përdorni ujë që nuk është mikrobiologjikisht i rregullt ose kur nuk dihet kualiteti.
20. Mos e pastroni pajisjen me lëngje të ndezshme. Avujt mund të shkaktojnë rrezik nga zjarri ose eksplozimi.
21. Mos e ktheni mbrapsht aparatin për përgatitjen e akullit. Nëse aparati rrotullohet rastësisht, lini të qëndrojë në pozitë stabile për dy orë para përdorimit të sërishëm.
22. Nëse aparatin për përgatitjen e akullit e futni brenda nga temperatura e ulët e jashtme, mos e përdorni pajisjen për disa orë, në mënyrë që temperatura e pajisjes të barzohet me temperaturën e dhomës para përdorimit.
23. Asnjëherë mos lini gjësende të ndezshme, eksplozive dhe korozive në aparatin për përgatitjen e akullit.
24. Mos e përdorni aparatin për përgatitjen e akullit nëse në afërsi ka derdhje të gazit të ndezshëm.
25. Asnjëherë mos e ruani dhe mos e përdorni gazin dhe produkte të tjera të ndezshme në afërsi të aparatit për përgatitjen e akullit, për të mos shkaktuar zjarr.
26. Shkyqni aparatin për përgatitjen e akullit nga priza para se ta lëvizni, sepse në këtë mënyrë do të parandaloni dëmtimin e sistemit ftohës.
27. Mos provoni që të ndani, riparoni ose të modifikoni ose të zëvendësoni cilëndo pjesë të pajisjes.

28. Fëmijët nuk guxojnë të luajnë me pajisjen.
29. Këtë pajisje mund ta përdorin fëmijët më të moshuar se 8 vjet dhe më shumë, personat me aftësi të zvogëluara fizike, shqisore ose mendore ose me mungesë të përvojës dhe njohurive vetëm nëse janë nën mbikëqyrje ose më parë kanë marrë udhëzime për përdorimin e pajisjes në mënyrë të sigurtë dhe të kenë kuptuar rreziqet që përfshin përdorimi.
30. Fëmijët nuk guxojnë të bëjnë pastrimin dhe mirëmbajtjen e pajisjes pa mbikëqyrje.
31. Nevojitet mbikëqyrje e rreptë kur pajisjen e përdorin fëmijët ose nëse pajisja përdoret në afërsinë e tyre.
32. Mos e lini pajisjen pa mbikëqyrje deri sa është në përdorim e sipër.
33. Mos e përdorni pajisjen në ambient të hapur.
34. Përdorni këtë pajisje vetëm për qëllime të cilat është destinuar.
35. Hedhja/ruajtja e aparatit për përgatitjen e akullit duhet të bëhet në përputhje me rregullat lokale të cilat kanë të bëjnë me këto pajisjes, sepse përmban gaz dhe mjet ftohës.
36. VËREJTJE: Mbushni aparatin me ujë të pijshëm.
37. VËREJTJE: Hapësirat për ventilim në pajisje duhet të jenë të lira nga të gjitha pengesat.
38. VËREJTJE: Mos përdorni pajisje mekanike ose mjete të tjera për përsheptimin e procesit të ngrirjes, përveç atyre të cilat janë rekomanduar nga ana e prodhuesit.
39. VËREJTJE: Mos e dëmtoni rrotën e ftohjes.
40. VËREJTJE: Mos përdorni pajisje elektrike në pjesët për vendosjen e ushqimit në pajisje, përveç nëse ato nuk rekomandohen nga ana e prodhuesit.
41. Mos vendosni në këtë pajisje materie eksplozive sic janë kanaçet e aerosolit me djegës të ndezshëm.
42.  Vërejtje: Rrezik nga zjarri / materiet ndezëse.
43. VËREJTJE: Gjatë vendosjes së pajisjes bëni kujdes që kablli për furnizim të mos jetë i shtypur ose i dëmtuar.
44. VËREJTJE: Mos vendosni nga ana e prapme e pajisjes numër më të madh të prizave të lëvizshme dhe burime të lëvizshme të furnizimit.
45. Pajisja është e destinuar për përdorim në amvisëri dhe ambiente të ngjashme siç janë:

- ambientet e kuzhinave në shitore, zyra dhe ambiente të tjera biznesi;
- shtëpitë e fshatrave dhe hotelet, motelet dhe ambiente tjera të tipit banesor në të cilat qëndrojnë klientët;
- pansione dhe ambiente të ngjashme turistike;
- hotelieri, katering dhe objekte të vogla të shitjes me pakicë.

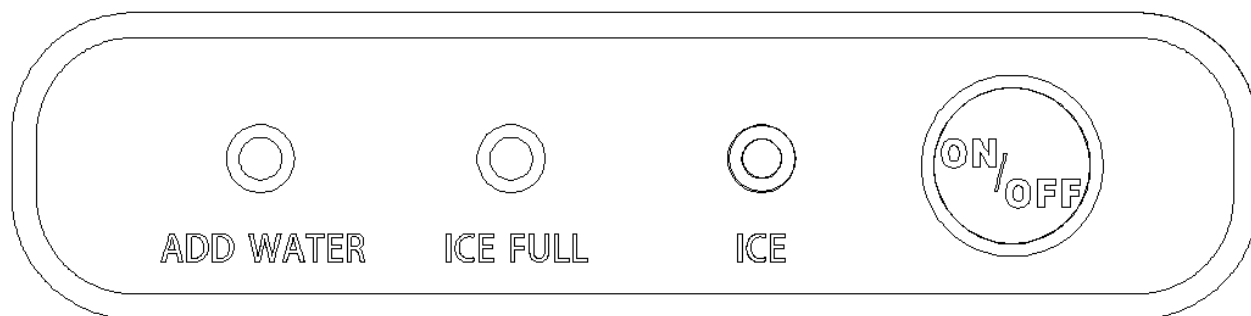
46. Ruani këtë udhëzim.

NJIHUNI ME PAJISJEN TUAJ



(Produkti mund të pësojë ndryshime pa paralajmërim)

TABELA E KONTROLLIT



Butoni (me indikator)	Funksioni
ON/OFF	Fillimi ose ndërprerja e punës së pajisjes; Presioni i gjatë në buton për pastrimin e pajisjes;
ICE/ AKULL	Regjimi i gatishmërisë: “ICE” indikatori lëviz; Gjendja e pastrimit: “ICE” indikatori lëviz më shpejtë; Gjendja e punës: “ICE” indikatori ndriçon njëllonj.
ICE FULL/ MBUSHJA ME AKULL	“ICE FULL” indikatori ndriçon kur shporta me akull është plot me ujë.
ADD WATER/ SHTOJCA E UJIT	“ADD WATER” indikatori ndriçon kur në rezervuar nuk ka ujë.

PARA PËRDORIMIT TË PARË

1. Çpaketoni pajisjen, pastaj kontrolloni të gjitha shtojcat, duke përfshirë shportën për akull dhe lopatëzën për akull. Nëse ndonjë shtojcë mungon, kontaktoni servisuesit e duhur.

2. Për të vendosur dorezën në pozitën e duhur, ndiqni veprimin në vazhdim.

1) Kapni me duar të dyja anët e dorezës së shënuara me shigjeta dhe tërhiqni nga jashtë.

(Foto 1)

2) Vendosni dorezën ashtu që të jetë në nivel me vrimat në shtëpizë, lëshojeni nga dora,

pastaj vendosni dorezën në vrimat në shtëpizë. (Foto 2)

3) Tërhiqni dorezën dhe drejtojeni, pastaj tërhiqni të dyja dorezat nga jashtë, duke ndjekur veprimin nga hapi nr. 1. Kontrolloni nëse doreza është e vendosur mirë në vrimat në shtëpizë.

4) Mbani mesin e dorezës dhe ngriteni nga lartë (Foto 3), pastaj kontrolloni nëse është vendosur gjithçka në rregull.

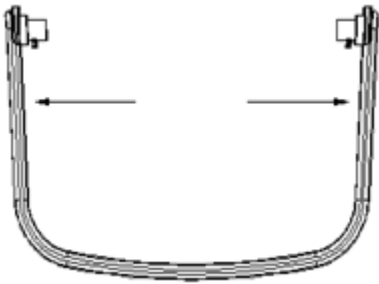


Fig.1

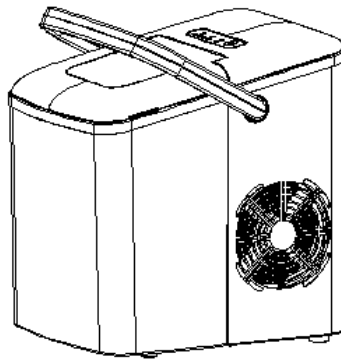


Fig.2

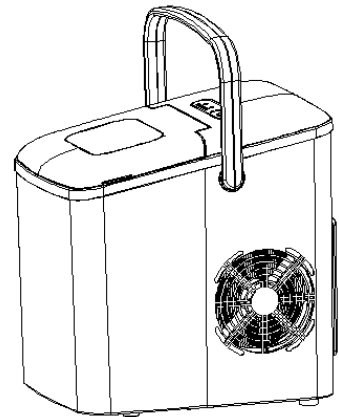


Fig.3

3. Për të parandaluar prishjet, kontrolloni nëse aparati për përgatitjen e akullit është vendosur në sipërfaqe të drejtë, stabile ose sipërfaqe tjetër.

4. Këndi i pjerrtësisë së aparatit për përgatitjen e akullit nuk guxon të jetë më i madh se 45° gjatë transportit ose përdorimit. Mos e rrotulloni aparatit për përgatitjen e akullit mbrapsht. Kjo mund të shkaktojë punë të çrregullt të kompresorit ose sistemit të ftohjes. Lini që lëngu në kompresor të qetësohet pas lëvizjes ose transportimit të aparatit për përgatitjen e akullit. Para përdorimit të parë të aparatit për përgatitjen e akullit, pritni që të kalojnë 2 orë nga vendosja e drejtë e pajisjes në vend të përshtatshëm.

5. Pajisja duhet të vendoset në ambient të thatë dhe të rrafshët me ventilim të mjaftueshëm, largë nga burimi i nxehtësisë siç janë: furrat, ngrohësit dhe gazrat korozive. Lini hapësirë prej rreth 15cm nga të gjitha anët e pajisjes, për të mundësuar ventilim normal.

6. Mos e mbushni rezervuarin për ujë me ujë të ngrohtë, sepse kjo mund të dëmtojë aparatit për përgatitjen e akullit. Më së miri është që rezervuarin ta mbushni me ujë me temperaturë të dhomës ose më të ulët.

7. Mos e përdorni pajisjen në ambient shumë të ftohtë (në temperaturë më të ulët se 5°C).

8. Pastroni pajisjen para përdorimit duke ndjekur udhëzimet nga pjesa **“PASTRIMI DHE MIRËMBAJTJA”**.

PËRDORIMI I APARATIT PËR PËRGATITJEN E AKULLIT

Kontrolloni nëse gypi kullues në fundin e rezervuarit për ujë është mbyllur mirë.

1. Kyqni pajisjen në prizën e murit dhe butoni “ICE” fillon të lëvizë.

VËREJTJE: Lini aparatin për përgatitjen e akullit që të qëndrojë 30 minuta para kyqjes nëse është lëvizur/transportuar më parë.

2. Hapni kapakun e epërm dhe lëvizni shportën për akull.

3. Mbushni rezervuarin për ujë me ujë të pijshëm.

VËREJTJE: Mos e mbushni rezervuarin për ujë mbi shenjën MAX, që shënon nivelin maksimal të ujit.

4. Ktheni në vend shportën për akull dhe mbyllni kapakun e epërm.

5. Shtypni butonin “ON/OFF” dhe butoni “ICE” fillon të ndriçojë në mënyrë të barabartë.

6. Cikli i përgatitjes së akullit zgjat mesatarisht prej 7 deri 15 minuta, varësisht nga temperatura ambientale dhe temperatura e ujit.

7. Cikli i përgatitjes së akullit fillon me pompimin e ujit në enën për akull, që gjendet nën avullore. Gjatë 7-15 minutave të radhës formohet akull në avullues. Pasi që të përfundojë ky proces, ena për akull tërhiqet mbrapa, kurse uji i mbetur për akull derdhet prapë në rezervuarin e ujit. Katrorët e akullit pastaj bien nga avulluesi dhe shtyhen me lopatëzën për akull në shportën për akull. Ena për akull automatikisht kthehet në vendin nën avullues dhe fillon cikli tjetër.

8. Indikatorin “ICE FULL/ PLOT ME AKULL” fillon të ndriçojë kur shporta për akull është plot, pastaj cikli i përgatitjes së akullit ndalon automatikisht. Me lugën për akull, me lëvizje të lehta largoni akullit nga shporta për akull. Për rreth 7,5 sekonda më vonë, aparati për përgatitjen e akullit fillon prapë automatikisht me funksionin e përgatitjes së akullit.

9. Indikatorin “ADD WATER/ SHTO UJË” fillon të ndriçojë kur në rezervuar nuk ka ujë të mjaftueshëm dhe cikli i përgatitjes së akullit ndalon automatikisht. Nëse harroni të ristartoni (të filloni punën përsëri) pajisjen pasi që keni shtuar ujë, pajisja automatikisht fillon të punojë përsëri pas rreth 20 minutave.

10. Kur të fitoni sasinë e dëshiruar të akullit, me shtypjen e butonit "ON/OFF" ndërpreni ciklin e përgatitjes së akullit dhe hiqni kabllin e pajisjes nga priza e murit.
11. Hapni kapakun e epërm dhe futni akullin në friz.
12. Lini që temperatura e pajisjes të barazohet me temperaturën e dhomës.
13. Rekomandohet që çdo javë të ndërroni ujin. Derdhni rezervuarin për ujë nëse pajisjen e përdorni për një periudhë më të gjatë kohore.

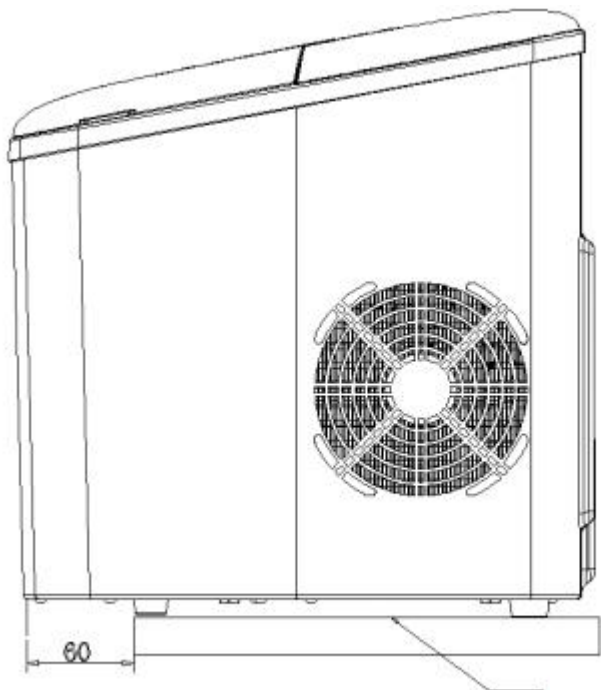
PASTRIMI DHE MIRËMBAJTJA

Rekomandohet që pajisjen ta pastroni një herë në javë në mënyrë që akulli të mbajë shijen e mirë, kurse pajisja pamjen e mirë.

1. Ndaloni ciklin e përgatitjes së akullit duke shtypur butonin "ON / OFF", shkyqni aparatit për akull nga prize e murit dhe lini që të ngrohet deri në temperaturë të dhomës.
2. Nëse në enën për akull mbetet ujë, lehtë shtyni enën për akull ashtu që e tërë sasia e ujit të derdhet në rezervuarin e ujit.
3. Largoni pajisjen 60 mm nga pllaka e punës dhe hapni gypin kullues për të liruar ujin e tepruar (fotot 4, 5 dhe 6).
4. Lëvizni shportën për akull.
5. Pastroni brendinë e aparatit për përgatitjen e akullit me ujë leckë të butë të lagur me ujë të ngrohtë dhe uthull, lani me ujë të pastër, pastaj kulloni tërë ujin.
6. Ktheni gypin kullues në vendin e vet. Shportën dhe lugën për akull lane me ujë të ngrohtë me sapun. Lani mirë dhe thani.
7. Pjesën e jashtme të aparatit për përgatitjen e akullit fshine me leckë të butë të lagur. Nëse është e domosdoshme, mund të përdorni sapun të lëngshëm për enë.

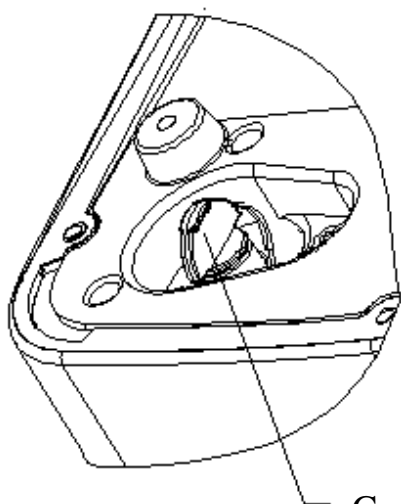
VËREJTJE:

- 1) Për pastrimin e pajisjes mos përdorni tretës organik, ujë të vluar, detergjente, mjete të forta të tharta dhe alkale, etj.
- 2) Mos e pastroni avulluesin.
8. Shprazni rezervuarin për ujë dhe thani, para se të vendosni pajisjen nëse nuk planifikoni që ta përdorni për një kohë të gjatë.



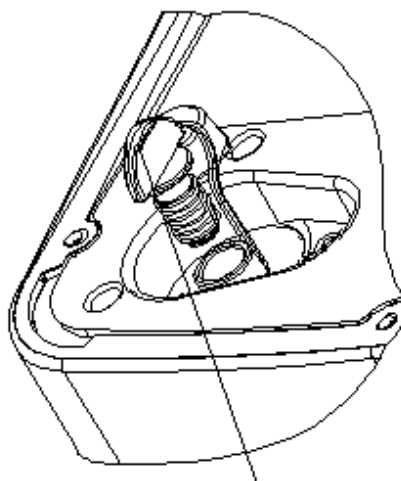
Pllaka e punës

(Fig.4)



Gypi kullues

(Fig.5)



Gypi kullues

(Fig.6)

ZGJIDHJA E PROBLEMIT

Problemi	Shkaktarët e mundshëm	Zgjidhja
Kyqet indikator për “SHTO UJË” / të shtuar ujë	<ol style="list-style-type: none"> 1. Pak ujë ose mungesë e ujit. 2. Ekranit për ujë në fund të rezervuarit është i bllokuar. 3. Prishje e pompës. 	<ol style="list-style-type: none"> 1. Ndërpreni përgatitjen e akullit, pastaj shtypni butonin “ON/OFF” për të ristartuar ciklin e përgatitjes së akullit. 2. Pastroni. 3. Dërgoni pajisjen tek serviseri i autorizuar për riparim.

Kyqet indikatorit “ICE FULL” / Plot akull	<ol style="list-style-type: none"> 1. Shporta për akull është plot dhe drita infra e kuqe është e bllokuar me akull. 2. Diodat pranuese dhe emituese me drita infra të kuqe nuk punojnë. 	<ol style="list-style-type: none"> 1. Hiqni akullin nga shporta për akull. 2a. Pastroni diodën pranuese emituese me dritë infra të kuqe dhe ristartoni pajisjen. 2b. Thirrni qendrën e autorizuar të servisit nëse diodat pranuese dhe emituese edhe më tej nuk punojnë pasi që i keni pastruar dhe pasi që keni ristartuar pajisjen.
Akulli bie me grumbuj / Ngjitja e katrorëve të akullit	Përgatitja e akullit zgjat shumë.	Ndërpreni përgatitjen e akullit dhe pasi që të shkrihet akulli, ristartoni pajisjen.
	Uji në rezervuar ka temperaturë shumë të ulët.	Mbushni rezervoarin me ujë me temperaturë në mes të 8°C dhe 25°C.
Cikli i përgatitjes së akullit duket normal por nuk ka akull	Temperatura e ambientit ose temperatura e ujit është shumë e lartë.	Filloni ciklin e përgatitjes së akullit në temperaturë ambientale e cila është më e ulët se sa 32°C dhe mbushni rezervuarin me ujë të ftohtë.
	Sistemi ftohës pikon.	Thirrni servisin e autorizuar.
	Sistemi ftohës është i bllokuar.	Thirrni servisin e autorizuar.
Rezultate të këqia për përgatitjen e akullit	<ol style="list-style-type: none"> 1. Shpërndarje e dobët e nxehtësisë. 2. Temperatura e ujit është shumë e lartë. 3. Temperatura ambientale është shumë e lartë. 	<ol style="list-style-type: none"> 1. Lini hapësirë të zbrazët prej 15 cm në cdo anë të pajisjes, për ventilim më të mirë. 2. Mbushni rezervuarin me ujë me temperaturë në mes 8°C dhe 28°C. 3. Temperatura ambientale e pajisjes që punon duhet të jetë në mes të 10°C dhe 32°C.

PARAMETRAT TEKNIK

Modeli: EM2100

Kushtet e përshtatshme klimatike: ST/SN/N/T

Klasi: I

Burimi i energjisë elektrike: 220-240V/50Hz

Fuqia nominale: 120W

Mjeti ftohës/Sasia e mjetit ftohës: R600a/23g

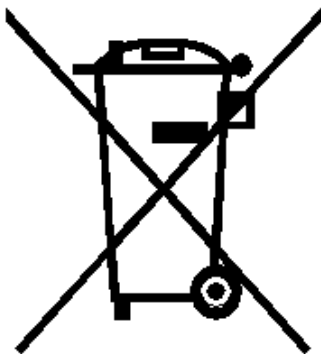
Mjeti për shkumë: C₅H₁₀

Pesha neto: 8.3Kg

Shtëpiza: PP

Dimensionet e pajisjes (D/ Thellësia x W/ Gjerësia x H/ Lartësia) : 310*230*325mm

DEPONIMI EKOLOGJIK



Mund të ndihmoni në mbrojtjen e ambientit!
Respektoni rregullat lokale: pajisjen e prishur
elektrike dërgone në qendrën adekuate për
deponimin e mbeturinave.