



GBR

ITA

DEU

RUS

SRB

ESP

PRT

GRC

SVN

HRV

BIH

MNE

MKD

ALB

FT - 5410

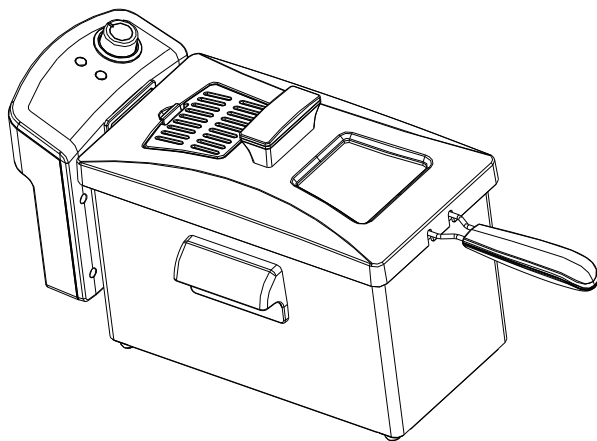
OPERATING INSTRUCTIONS DEEP FRYER
MANUALE DELL'UTENTE FRIGGITRICE
BEDIENUNGSANLEITUNG FRITTEUSE
ИНСТРУКЦИЯ ПО ЭКСПЛУАТАЦИИ ФРИТЮРНИЦА
UPUTSTVO ZA UPOTREBU FRITEZA
MANUAL DE USUARIO FREIDORA
MANUAL DO USUÁRIO FRITADEIRA
ΕΓΧΕΙΡΙΔΙΟ ΧΡΗΣΤΗ ΦΡΙΤΕΖΑ
NAVODILA ZA UPORABO FRITEZA
UPUTE ZA UPORABU FRITEZA
UPUTSTVO ZA UPOTREBU FRITEZA
УПАТСТВА ЗА РАКУВАЊЕ ФРИТЕЗА
MANUALI I PERDORUESIT FRITEZË



VOX
ELECTRONICS

GBR

INSTRUCTION MANUAL
FT - 5410



Read this booklet thoroughly before using and save it for future reference

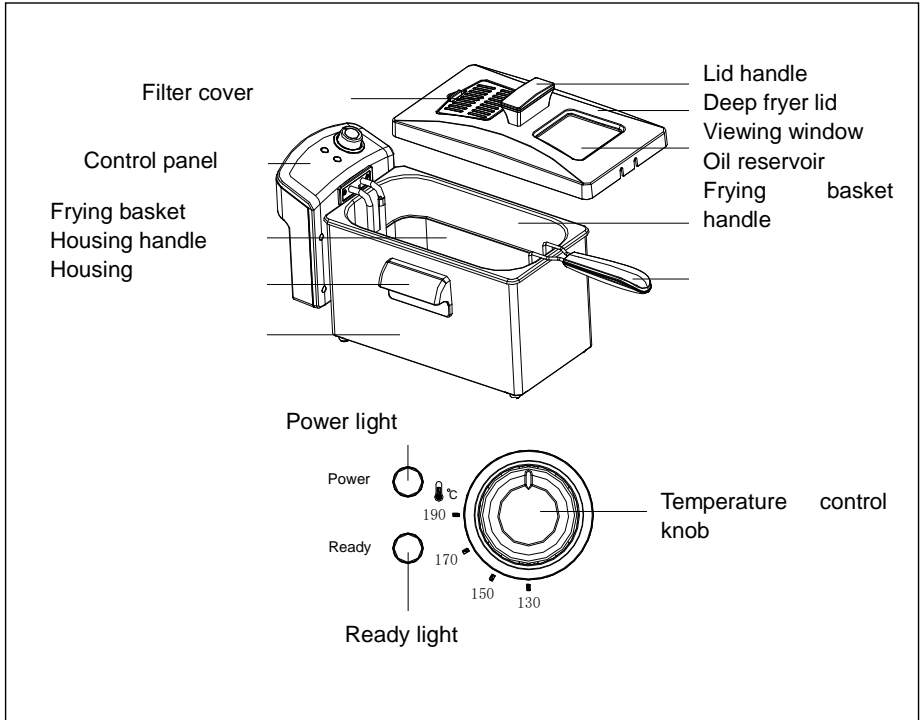
IMPORTANT SAFEGUARDS

When using electrical appliances, basic safety precautions should always be followed, including the following:

1. Read all instructions.
2. Do not touch hot surface. Use handles or knobs.
3. To protect against electric shock do not immerse cord, plugs, or housing in water or other liquid.
4. Close supervision is necessary when any appliance is used by or near children.
5. Unplug from outlet when not in use and before cleaning. Allow to cool down before putting on or taking off parts, and before cleaning the appliance.
6. Do not put the appliance on a soft working surface or a desktop covered with table cloth, make sure the appliance is working on a rigid surface.
7. Do not operate any appliance with a damaged cord or plug or after the appliance malfunctions, or has been damaged in any manner. Return appliance to the nearest authorized service facility for examination, repair or adjustment.
8. The use of attachments not recommended by the appliance manufacturer may cause injuries.
9. Do not let cord hang over edge of table or counter, or touch hot surfaces.
10. Do not use this appliance when missing oil reservoir, oil and any other materials, or the oil is not enough.
11. Do not place on or near a hot gas or electric burner, or in a heated oven.
12. Extreme caution must be used when moving fryer containing hot oil.
13. Make sure handles are properly assembled to basket and locked in place. See detailed assembly instructions.
14. Before use, always ensure that the oil reservoir is positioned correctly.
15. Never connect the fryer to the electricity supply without placing oil in the oil reservoir first.

16. The oil in the oil reservoir will be still hot after it is switched off. Never attempt to move your fryer until it is completely cool down, lift the oil reservoir using the handles.
17. Though the detachable oil reservoir can be completely immersed in water and clean, it must be thoroughly dried before next use to prevent electric shock.
18. Never overfill the fryer with oil. Fill only between the minimum and maximum levels, as indicated inside the oil reservoir.
19. Do not add food with ice crystals or if it is wet to the hot oil.
20. This appliance is not intended for used by persons (including children) with reduced physical, sensory or mental capabilities, or lack of experience and knowledge, unless they have been given supervision or instruction concerning use of the appliances by a person responsible for their safety.
21. Children should be supervised to ensure that they do not play with the appliance.
22. On completion of frying, always raise the basket and wait a few seconds to allow steam pressure to subside.
23. Do not use appliance for other than intended use.
24. Do not use outdoors.
25. Store the appliance indoors to prevent electronic parts failure.
26. **WARNING:** Serious hot oil burns may result from a deep fryer being pulled off a countertop. Do not allow the power cord to hang over the edge of a counter where it may be grabbed by children or become entangled with the user.
27. The appliance is not intended to be operated by means of an external timer or a separate remote-control system.
28. This appliance is intended to be used in household and similar applications such as:
 - Staff kitchen areas in shops, offices and other working environments;
 - Farm houses;
 - By clients in hotels, motels and other residential type environments;
 - Bed and breakfast type environments.
29. Save these instructions.

PRODUCT DESCRIPTION



CONTROL PANEL

The Temperature Control knob

The temperature control knob turns the deep fryer on and sets the desired temperature for frying.

The Power Light

The power light illuminates when the deep fryer is on.

The Ready Light

The ready light will cycle on and off several times during frying. This indicates that the temperature is thermostatically maintained.

USING FOR THE FIRST TIME

1. Remove all the packaging materials, labels and/or stickers from the deep fryer.

WARNING: Do not plug in the deep fryer when the control panel is not installed in the deep fryer body. Only plug in the deep fryer when the unit is fully assembled and the heating element is immersed in oil.

WARNING: Do not immerse the control panel, cord or plug in water.

WARNING: This unit should not be used to boil water.

2. Lift the control panel with heating element out of its slots by pulling it up from the bottom with one hand while holding the body of the deep fryer with your other hand.

3. Remove the oil reservoir from the body of the deep fryer.

3. Wash the oil reservoir and the frying basket with hot water, a nonabrasive sponge, and dishwashing liquid or other non-poisonous detergent. Dry thoroughly before use.

NOTE: The oil reservoir, frying basket, frying basket handle, permanent filter and the lid can be washed in warm soap water.

WARNING: Do not immerse the control panel, power cord, or plugs into liquid of any kind.

ASSEMBLING THE DEEP FRYER

1. Place the oil reservoir into the deep fryer housing.
2. Insert the guide edges on the control panel into the guide rails mounted on the metal body (Fig.1).

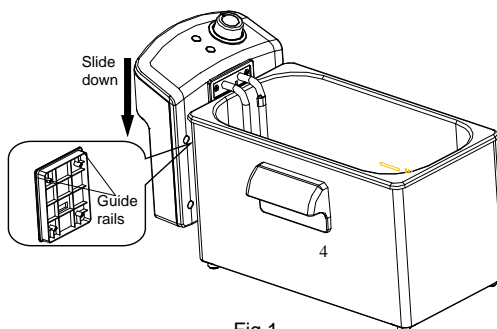


Fig.1

3. Slide the guide edges down as far as they can go.

NOTE: The deep fryer has an automatic safety switch to ensure that the unit will not operate unless the control panel has been inserted securely into the guide rails on the body of the deep fryer.

4. Attach the fryer basket handle to the fryer basket by squeezing the handle bars together and inserting them into the metal bracket on the basket. Make sure that the end of the bars is inserted into the bracket holes. Lift the handle up to lock in place (Fig. 2).

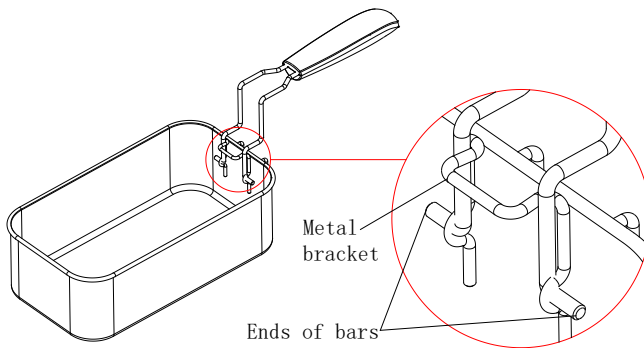


Fig.2

USING THE DEEP FRYER

WARNING: Never plug in the deep fryer before filling the oil reservoir with oil. Always make sure that the control panel is securely in place in the housing of the deep fryer and that the heating element is inside the oil in the oil reservoir before plugging in.

1. Pour cooking oil into the oil reservoir making sure that it is between the “**Min**” and “**Max**” filling lines in the oil container. **Do not under fill or overfill.** The oil levels must be maintained between the minimum (2.5 liters) and the maximum levels (3.5

liters) marked inside the oil container.

2. You can use blended vegetable oil, corn oil, or canola oil. ***Do not use olive oil, margarine, lard or drippings.*** Never mix old and new oil together or different oils and fat.
3. If you want to use solid fat, you must melt it firstly, the details refer to the section of “**TIPS FOR USING SOLID FAT**”.

4. Place the cover onto the deep fryer.

5. Insert the plug into the electrical wall outlet. The power light will illuminate.

CAUTION: Never plug in the control panel when it is not assembled to the fryer body.

Do not immerse the control panel, power cord or plug in water or any other liquid.

6. Turn the temperature control knob to the desired temperature.

7. The ready light will illuminate when the set temperature is reached.

8. Do not fill the frying basket when it is immersed in the hot oil. Place the food in the frying basket. Do not drop the food into the hot cooking oil. Do not overfill it and the maximum load is 250g. For optimum results and shorter frying time, fry smaller quantities.

WARNING: When frying frozen foods, remove the frying basket from the deep fryer before filling because oil will spatter and cause burns.

CAUTION: When frying frozen foods such as French Fries, you should not exceed the “**Max**” fill line on the fryer basket. Clean off any ice from frozen food prior to frying. Failure to do so may cause fryer to overflow when food is placed in oil.

9. Immerse the frying basket into the oil reservoir carefully so that you do not splash the oil.

10. Replace the deep fryer lid on the deep fryer while it is frying.

11. When the cooking period is over, Turn the temperature control to the “OFF” position and remove the plug from the electrical wall outlet.

12. Carefully remove the deep fryer lid lifting it up away from you to allow the steam to escape before removing the lid completely. Keep your face away from the top of the appliance to avoid burns caused by escaping steam.

13. Lift up the frying basket by the handle and place it on the oil container to allow the oil

to drain.

14. Once the oil has drained from the frying basket, the basket may be lifted off and the food served or placed in a dish.

WARNING: Always let the deep fryer cool completely (approximately 2 hours) before cleaning or storing. Never carry or move the appliance with hot oil inside.

CAUTION: The metal surfaces of the deep fryer become hot during use. Do not touch the sides of the appliance while it is use.

FRYING TIPS

1. Always use the frying basket to fry food.
2. Always close the lid during frying. Replace the lid carefully.
3. When the oil is pre-heated, the ready indicator light will come on indicating that the desired temperature is reached.
4. Slowly lower the frying basket into the hot oil. Lowering the frying basket too quickly can result in the oil overflowing and splashing.
5. It is normal for steam to escape through the sides of the lid while frying.
6. Avoid standing too close to the deep fryer while it is working.
7. Do not mix new and old oil together.
8. Replace oil regularly. In general, oil will be tainted fast when frying food containing a lot of protein, (such as poultry, meat and fish). When oil is used mainly to fry potatoes and is filtered after each use, it can be used up to 8 to 10 times, but do not use the same oil for more than 6 months.
9. Always replace all oil as soon as it starts foaming when heated or when color becomes dark or when it has a rancid smell or taste or becomes syrupy.
10. Make sure that the food to be fried is dry. Remove loose ice from frozen food before frying.
11. To cook evenly, pieces should be the same size and thickness. Thicker pieces will take longer to cook.
12. The following cooking times reflect only the approximate time needed to fry one basket 1/2 full. The exact time may be different depending on actual quantity,

personal cooking preferences, size and thickness of pieces, etc.

TEMPERATURE SETTINGS

In general, use lower settings for delicate foods (vegetables, fish) and higher settings for frozen foods, French Fries and chicken.

FOOD	COOKING TIME	TEMPERATURE
French fries	6-9 minutes	190°C
Fish fillets	3-5 minutes	150°C
Chicken fingers	6-8 minutes	170°C
Chicken pieces	13-20 minutes	170°C
Fried Zucchini	3 minutes	150°C
Fried mushrooms	3 minutes	150°C
Onion rings	3 minutes	150°C
Donuts	3-5 minutes	170°C
Apple Beignets	4 minutes	170°C
Shrimp	4-6 minutes	150°C

TIPS FOR USING SOLID FAT:

WARNING: Do not put solid shortening in the oil reservoir or the frying basket.

1. If using solid vegetable shortening, melt it first in a separate container and then very carefully pour the melted fat into the oil reservoir.
2. Previously used solid vegetable shortening which has curdled and hardened in the oil reservoir should be removed from the oil reservoir and melted in a separate pan before reusing.

WARNING: If you try to melt the solidified fat in the oil reservoir, there is a risk of hot melted fat suddenly sputtering from below through the solid top layer of fat.

Use only the following procedure

When melting solid fat in your deep fryer:

1. Make sure the fat is at room temperature. If the fat is cold, then there is a greater risk of splashing.
2. Using a fork, carefully make some holes in the fat.
3. Make sure the lid is **always** securely closed while the fat is melting.
4. Set the temperature control knob to 150°C.

IMPORTANT: The power light will illuminate once plugging the power outlet. The ready light will illuminate when the fat or oil in the reservoir has reached the selected temperature.

FILTERING & CHANGING THE OIL

ATTENTION: Make sure the deep fryer is unplugged from the electrical socket and the oil has cooled (approximately 2 hours) before changing the oil, or cleaning and storing the deep fryer.

NOTE: The oil does not need to be changed after each use. In general, the oil will be tainted rather quickly when frying food containing a lot of protein (such as poultry, meat or fish). When oil is mainly used to fry potatoes and is filtered after each use, it can be used 8 to 10 times. However, do not use the same oil for longer than 6 months.

To Filter the Oil:

1. Make sure the oil has cooled (approximately 2 hours) and then empty the oil from the oil reservoir into another container or bottle. (Fig.3)
2. Wash and dry the oil reservoir and frying basket.
3. Refill the oil reservoir with the oil by pouring the oil through a wire strainer or paper filter. (Fig. 4)

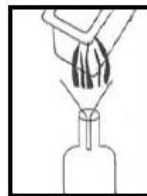


Fig.3

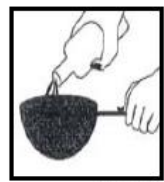


Fig.4

CLEANING INSTRUCTIONS

To ensure many years of service from your appliance, clean your deep fryer after every use.

WARNING: Always remove the plug from the electrical wall outlet before cleaning. Allow the deep fryer and the oil to cool completely (approximately 2 hours) before cleaning.

1. Never immerse the control panel, cord or plug in water or any other liquid.
2. Do not place the control panel, cord or plug in the dishwasher.
3. Clean the control panel with a damp cloth only.
4. The oil reservoir, frying basket can be washed on the top rack of a dishwasher.
5. The deep fryer lid can be washed in warm soapy water. Do not put the body of the deep fryer in the liquid or dishwasher.
6. To clean the permanent filter, remove it from the cover and wash it in hot soapy water. Rinse and dry well before re-inserting it into the deep fryer cover. Replace the filter cover.

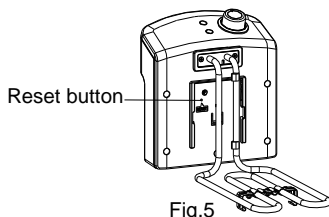
CAUTION: Do not clean the permanent filter in the dishwasher.

THE RESET FEATURE

Your deep fryer is equipped with a reset feature. If for some reason the deep fryer stops heating, the reason may be that the reset switch has tripped.

To reset the deep fryer:

1. Unplug the appliance from the electrical wall outlet.
2. Let the appliance and the oil in the oil reservoir cool completely.
3. After the appliance has cooled completely, lift the control panel and using the tip of a ball point pen or pencil, push the thermostat reset button that is located on the inside of the control panel (Fig. 5)
4. Re-assemble the control panel to the housing of the deep fryer and then you may resume frying.



Reset button

TROUBLESHOOTING

PROBLEM	POSSIBLE	CAUSE
The fryer is not operating	<ol style="list-style-type: none"> 1. The control assembly is not installed correctly. 2. The plug is not connected to the electrical wall outlet. 3. The electrical outlet is not energized. 4. The reset switch has tripped. 	<ol style="list-style-type: none"> 1. Re-attach the control panel assembly 2. Insert the plug into the electrical wall outlet. 3. Reset circuit breaker or replace fuse. 4. Turn the appliance off and let it cool completely. Then remove the control panel and press the thermostat reset button.
Oil is spilling out of the deep fryer	<ol style="list-style-type: none"> 1. Too much oil in the oil reservoir. 2. The food basket is overfilled. 3. Oil has been used too often and is foaming. 	<ol style="list-style-type: none"> 1. Turn the deep fryer off. Let the oil cool completely and remove some of the excess oil. 2. Remove some of the food from the basket. 3. Turn the deep fryer off. Let the oil cool completely and refill the oil reservoir with new oil.
Food is tasting soggy or greasy	<ol style="list-style-type: none"> 1. Oil is not hot enough. 2. The food basket is overfilled. 	<ol style="list-style-type: none"> 1. Adjust the temperature control knob to appropriate temperature for food being fried. 2. Remove some of the food from the basket.
Food not	<ol style="list-style-type: none"> 1. Food pieces too large. 	<ol style="list-style-type: none"> 1. Cut the food into smaller pieces.

<p>cooked completely</p>	<p>2. Cooking time too short. 3. Oil temperature too hot.</p>	<p>2. Continue frying and check the process continually. 3. Lower the temperature of the oil to allow the food to cook completely.</p>
<p>The cooking oil is foaming or emitting smoke</p>	<p>1. The oil has been used too often.</p>	<p>1. Let the oil cool completely and replace with new oil.</p>

ENVIRONMENT FRIENDLY DISPOSAL



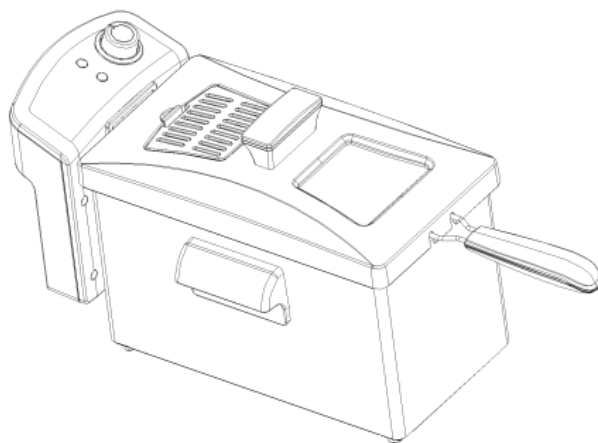
You can help protect the environment!
Please remember to respect the local regulations: hand in the non-working electrical equipments to an appropriate waste disposal center.



VOX
ELECTRONICS

ITA

MANUALE DELL'UTENTE
FT - 5410



Leggere attentamente le istruzioni prima dell'uso e salvare per riferimenti futuri

IMPORTANTI NORME DI SICUREZZA

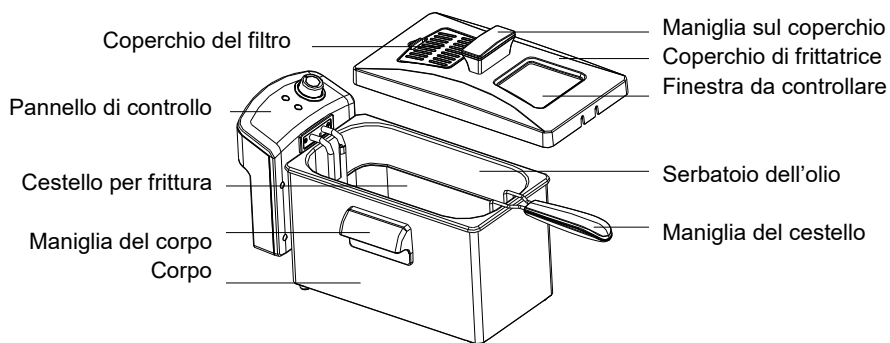
Quando si utilizzano gli apparecchi elettrici, è necessario seguire sempre le precauzioni di base, come seguenti:

1. Leggere tutte le istruzioni.
2. Non toccare le superfici calde. Usa maniglie o manopole.
3. Per proteggere da incendi, scosse elettriche e lesioni alle persone, non immergere il cavo, la spina o la base in acqua o altri liquidi.
4. Una stretta supervisione è necessaria quando l'apparecchio viene utilizzato da o vicino ai bambini.
5. Scollegare l'apparecchio dalla presa quando non in uso e prima della pulizia. Lasciare raffreddare l'apparecchio prima di mettere o togliere parti e prima di pulire l'apparecchio.
6. Non collocare l'apparecchio su una superficie di lavoro morbida o un tavolo coperto con tovaglie, assicurarsi che l'apparecchio stia lavorando su una superficie rigida.
7. Non utilizzare l'apparecchio con un cavo o una spina danneggiati o dopo il malfunzionamento dell'apparecchio o se è stato danneggiato in alcun modo. Portare l'apparecchio al servizio autorizzato più vicino per controllarlo, ripararlo o regolarlo.
8. L'uso di accessori non raccomandati dal produttore dell'apparecchio può provocare lesioni.
9. Non lasciare che il cavo penda oltre il bordo di un tavolo o di un bancone o che tocchi una superficie calda.
10. Non utilizzare questo apparecchio quando manca il serbatoio dell'olio, l'olio e qualsiasi altro materiale, oppure l'olio non è sufficiente.
11. Non posizionare sopra o vicino a un bruciatore a gas o elettrico, o a un forno riscaldato.
12. Usare estrema cautela quando si sposta la friggitrice contenente olio caldo.
13. Assicurarsi che le maniglie siano correttamente fissate al carrello e bloccate. Leggere le istruzioni dettagliate per assemblare il dispositivo.
14. Assicurarsi sempre che il serbatoio dell'olio sia posizionato correttamente prima dell'uso.

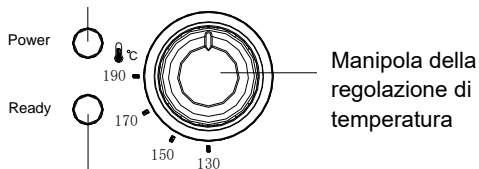
15. Non collegare mai la friggitrice alla rete elettrica senza prima inserire olio nel serbatoio dell'olio.
16. L'olio nel serbatoio dell'olio sarà ancora caldo dopo lo spegnimento. Non tentare mai di muovere la friggitrice finché non sia completamente raffreddata.
17. Sebbene il serbatoio dell'olio rimovibile possa essere completamente immerso nell'acqua e pulire, deve essere accuratamente asciugato prima dell'uso successivo per evitare scosse elettriche.
18. Non riempire eccessivamente la friggitrice con olio. Riempire solo tra i livelli minimo e massimo, come indicato all'interno del serbatoio dell'olio.
19. Non aggiungere cibo con cristalli di ghiaccio o il cibo umido nell'olio bollente.
20. Questo apparecchio non è destinato all'uso da parte di persone (compresi i bambini) con ridotte capacità fisiche, sensoriali o mentali, o mancanza di esperienza e conoscenza, a meno che non siano stati supervisionati o istruiti sull'uso degli apparecchi da una persona responsabile della loro sicurezza.
21. I bambini devono essere sorvegliati per assicurarsi che non giochino con l'apparecchio.
22. Al termine della frittura, sollevare sempre il cestino e attendere alcuni secondi per consentire alla pressione del vapore di diminuire.
23. Non utilizzare l'apparecchio per scopo diverso da quello previsto.
24. Non utilizzare l'apparecchio all'aperto.
25. Conservare l'apparecchio in casa per evitare guasti alle parti elettroniche.
26. **AVVERTENZA:** Gravi ustioni di olio bollente possono derivare da una friggitrice che viene estratta dalla superficie di lavoro. Non lasciare che il cavo di alimentazione penda oltre il bordo di una superficie di lavoro dove potrebbe essere afferrato dai bambini o rimanere impigliato con l'utente.
27. L'apparecchio non è destinato ad essere utilizzato mediante un timer esterno o un sistema di controllo remoto separato.
28. Questo apparecchio è destinato all'uso domestiche e applicazioni simili come:
 - Aree di cucina per il personale in negozi, uffici e altri ambienti di lavoro;
 - Case coloniche;

- In hotel, motel e altri ambienti residenziali;
 - Ambienti di tipo bed and breakfast
29. Conservare queste istruzioni.

DESCRIZIONE DEL PRODOTTO



Indicatore di potenza



Indicatore di prontezza

Manipola della regolazione di temperatura

La manopola della regolazione di temperatura accende la friggitrice e regola la temperatura di frittura desiderata.

Indicatore di potenza

La spia di alimentazione si illumina quando la friggitrice è accesa.

Indicatore di prontezza

La spia dell'indicatore di prontezza si accende e si spegne più volte durante la frittura. Questo dimostra che la temperatura viene mantenuta termostaticamente.

PRIMO UTILIZZO DELL'APPARECCHIO

1. Rimuovere la confezione completa, le etichette e/o gli adesivi dalla friggitrice.

AVVERTENZA: Non collegare la friggitrice quando il pannello di controllo non è installato nel corpo della friggitrice. Accendere la friggitrice solo quando l'apparecchio è completamente assemblato e l'elemento riscaldante è immerso nell'olio.

AVVERTENZA: Non immergere il pannello di controllo, il cavo o la spina nell'acqua.

AVVERTENZA: Questo apparecchio non deve essere utilizzato per riscaldare l'acqua.

2. Sollevare il pannello di controllo con l'elemento riscaldante dal vassoio sollevandoli con una mano dal fondo mentre si tiene il corpo della friggitrice con l'altra mano.

3. Rimuovere il serbatoio dell'olio dal corpo della friggitrice.

4. Lavare il serbatoio dell'olio e il cestello per frittura con l'acqua calda, la spugna non abrasiva e il detersivo per lavaggio o un altro detersivo non tossico. Asciugare bene prima dell'uso.

NOTA: Il serbatoio dell'olio, il cestello, la maniglia del cestello, il filtro permanente e il coperchio possono essere lavati in acqua tiepida con sapone.

AVVERTENZA: Non immergere il pannello di controllo, il cavo di alimentazione o la spina in qualsiasi tipo di liquido.

ASSEMBLARE LA FRIGGITRICE

1. Mettere il serbatoio dell'olio nel corpo della friggitrice.

2. Posizionare i bordi della guida sul pannello di controllo nelle guide montate sull'involucro metallico (Fig.1).

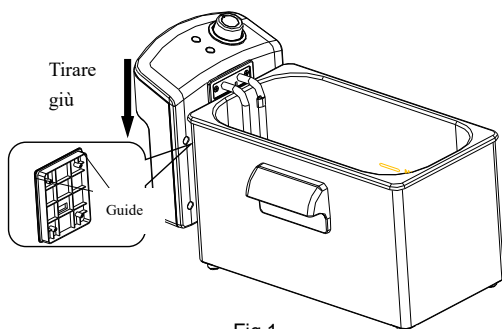


Fig.1

3. Spingere i bordi delle guide fino in fondo.

NOTA: La friggitrice è dotata di un interruttore automatico di sicurezza per garantire che il dispositivo non funzioni se il pannello di controllo non è inserito saldamente nelle guide sul corpo della friggitrice.

4. Attaccare la maniglia della friggitrice al cestello della friggitrice premendo contemporaneamente le maniglie e inserendole nella alloggiamento metallico sul cestello. Assicurarsi che la fine delle barre siano inseriti dell'alloggio. Sollevare la maniglia verso l'alto per tenerlo bloccato (Figura 2).

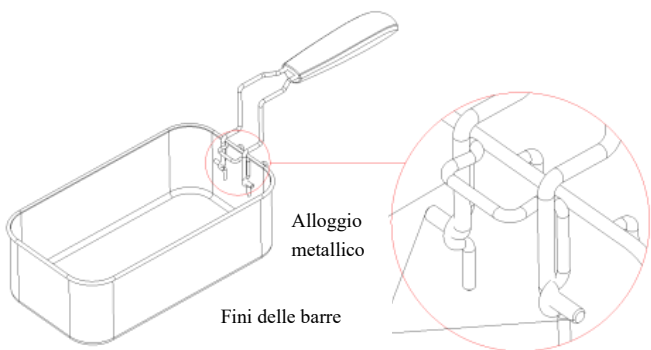


Figura 2

USO DELLA FRIGGITRICE

AVVERTENZA: Non accendere mai la friggitrice prima di riempire il contenitore dell'olio. Accertarsi sempre che il pannello di controllo sia fissato nel corpo della friggitrice e che l'elemento di riscaldamento si trovi all'interno dell'olio nel serbatoio dell'olio prima di accenderla.

1. Versare l'olio da cucina nel serbatoio dell'olio, facendo attenzione che si trovi tra i segni "Min" e "Max" nel serbatoio dell'olio. **Non riempirlo poco o riempirlo sufficientemente.** Il livello dell'olio deve essere mantenuto tra il livello minimo (2,5 litri) e il livello massimo (3,5 litri) indicato all'interno del serbatoio dell'olio.
2. È possibile utilizzare olio vegetale misto, olio di mais o olio di colza. **Non usare olio d'oliva, margarina, grasso o succo di cottura.** Non mischiare mai olio vecchio e nuovo o altri oli e grassi.
3. Se si desidera utilizzare il grasso solido, è necessario prima dissolverlo, i dettagli possono essere trovati nella sezione "**CONSIGLI PER L'USO DI GRASSI SOLIDI**".
4. Mettere il coperchio sulla friggitrice.
5. Inserire la spina in una presa elettrica. L'indicatore di alimentazione si illuminerà.
ATTENZIONE: Non accendere mai il pannello di controllo quando non è montato sul corpo della friggitrice. Non immergere il pannello di controllo, il cavo di alimentazione o la spina in acqua o altri liquidi.
6. Impostare la manopola della regolazione di temperatura desiderata.
7. L'indicatore di prontezza si illumina quando viene raggiunta la temperatura desiderata.
8. Non caricare il cestello della frittura quando è immerso nell'olio bollente. Metti il cibo nel cestello. Non gettare il cibo nell'olio bollente. Non riempire eccessivamente, il carico massimo è 250 g. Per risultati ottimali e tempi di frittura più brevi, friggere quantità più piccole.

AVVERTENZA: Quando si friggono cibi surgelati, rimuovere il cestello della friggitrice prima di caricarlo, poiché l'olio spruzza dappertutto e può provocare ustioni.

ATTENZIONE: Quando si friggono cibi surgelati come patatine fritte, non trascurare

la linea "max" sul cestello. Pulire il ghiaccio dai cibi surgelati prima di friggere. Se non lo fa, quando il cibo viene messo nell'olio può causare la fuoriuscita del contenuto dalla friggitrice.

9. Immergere con cautela il cestello nel serbatoio dell'olio in modo che l'olio non spruzzi su tutti i lati.
10. Rimontare il coperchio della friggitrice sul'apparecchio durante la frittura.
11. Quando il tempo di preparazione è finito, ruotare il controllo della temperatura sulla posizione "OFF" e rimuovere la spina dalla presa elettrica.
12. Sollevare con cautela il coperchio della friggitrice sollevandolo ulteriormente per consentire la fuoriuscita del vapore prima di rimuovere completamente il coperchio. Tenere il viso lontano dalla parte superiore dell'apparecchio per evitare ustioni dal vapore in uscita.
13. Sollevare il cestello della frittura tenendolo per la maniglia e posizionarlo sopra il serbatoio dell'olio per assorbire l'olio.
14. Quando l'olio viene estratto dal cestello, può raccogliere il cestello e servire il cibo o servirlo in una ciotola.

AVVERTENZA: Lasciare sempre raffreddare completamente la friggitrice (circa 2 ore) prima di pulirla o conservarla. Non trasportare o spostare mai l'apparecchio mentre dentro c'è l'olio bollente.

ATTENZIONE: Le superfici metalliche della friggitrice si surriscaldano durante l'uso. Non toccare i lati dell'apparecchio durante l'uso.

CONSIGLI PER L'USO DI FRIGGITRICE

1. Utilizzare sempre un cestello per friggere il cibo.
2. Chiudere sempre il coperchio durante la frittura. Rimuovere con cautela il coperchio.
3. Quando l'olio viene preriscaldato, la spia dell'indicatore di prontezza si accende, indicando che è stata raggiunta la temperatura desiderata.
4. Abbassare delicatamente il cestello per friggere nell'olio bollente. Se si abbassa velocemente il cestello, l'olio può fuoriuscire e spruzzare.
5. È normale che il vapore esce dal lato del coperchio durante la frittura.

6. Evitare di stare troppo vicino alla friggitrice mentre è in funzione.
7. Non mescolare oli nuovi e vecchi.
8. Sostituire l'olio regolarmente, in generale, l'olio usato per friggere cibo con proteine, come pollame, carne e pesce, non deve essere riutilizzato, quando l'olio è principalmente usato per friggere le patate e viene filtrato dopo ogni uso, può essere usato da 8 a 10 volte ma **NON** usare lo stesso olio per più di 6 mesi.
9. Sostituire sempre tutto l'olio quando inizia a schiumare durante riscaldamento, quando il colore diventa scuro, quando ha un odore o sapore rancido, o diventa sciroppo.
10. Assicurarsi che il cibo che si prepara sia asciutto. Rimuovere il ghiaccio dal cibo prima di friggere.
11. Per cuocere in modo uniforme, i pezzi di cibo devono essere delle stesse dimensioni e dello spessore. Pezzi più spessi impiegheranno più tempo a cucinare.
12. I tempi di cottura riflettono solo il tempo approssimativo necessario per friggere un cestello mezzo pieno. I tempi esatti possono essere diversi a seconda della quantità effettiva, delle preferenze di cottura personali, dimensioni e spessore dei pezzi, ecc.

REGOLAMENTO DI TEMPERATURA

In generale, usa impostazioni più basse per cibi deliziosi (verdure, pesce) e impostazioni più alte per cibi surgelati, patatine fritte e pollo.

CIBO	TEMPO DI FRITTURA	TEMPERATURA
Patatine fritte	6-9 minuti	190°C
Filetti di pesce	3-5 minuti	150°C
Anelli di pollo	6-8 minuti	170°C
Pezzi di pollo	13-20 minuti	170°C
Zucchine fritte	3 minuti	150°C
Funghi fritti	3 minuti	150°C
Anelli di cipolla	3 minuti	150°C
Ciambelle	3-5 minuti	170°C
Mele cotte	4 minuti	170°C
Gamberetti	4-6 minuti	150°C

CONSIGLI PER USARE I GRASSI SOLIDI

AVVERTENZA: Non aggiungere grasso solido nel serbatoio dell'olio o nel cestello.

1. Se si utilizza grasso di verdure solide, si scioglie prima in una padella separata e con attenzione versare il grasso fuso nel serbatoio dell'olio.
2. Rimuovere precedentemente utilizzato grasso solido vegetale, cagliata o indurita dal serbatoio dell'olio e fonderlo in una padella separata prima di riutilizzarlo.

ATTENZIONE: Se tenti di sciogliere il grasso solido nel serbatoio dell'olio esiste un rischio che grasso fuso spruzza improvvisamente dal basso attraverso uno strato superiore di grasso ancora solido.

Utilizzare solo la seguente procedura.

Quando vuole sciogliere grasso solido nella friggitrice:

1. Assicurarsi che il grasso sia a temperature ambiente. Se il grasso è molto freddo, aumenta il rischio di essere spruzzato.
2. Fare qualche buco nel grasso con una forchetta con cautela.
3. Assicurarsi che il coperchio stia **sempre** ben chiuso mentre si scioglie il grasso.
4. Impostare la temperatura ai 150°C.

IMPORTANTE: L'indicatore di alimentazione si illumina quando è collegato a una presa elettrica. L'indicatore di prontezza si illumina quando il grasso o l'olio nel serbatoio raggiunge la temperatura selezionata.

FILTRAZIONE E SOSTITUZIONE OLIO

ATTENZIONE: Assicurarsi che la friggitrice sia scollegata dalla presa elettrica e raffreddata ad olio (circa 2 ore) prima di sostituire l'olio, o pulire e conservare la friggitrice.

NOTA: L'olio non deve essere cambiato dopo ogni utilizzo. In generale, l'olio sarà rapidamente inutilizzabile quando si friggono cibi contenenti molte proteine (carne di pollo, carne e pesce). Quando l'olio viene utilizzato per friggere le patate e viene filtrato dopo ogni utilizzo, può essere utilizzato da 8 a 10 volte. Tuttavia, non utilizzare lo stesso olio per più di 6 mesi.

Filtrazione dell'olio:

1. Assicurarsi che l'olio sia raffreddato (circa 2 ore) e quindi svuotare l'olio dal serbatoio dell'olio nell'altro contenitore o flacone. (Fig.3).
2. Lavare e asciugare il serbatoio dell'olio e il cestello.
3. Riempire il serbatoio dell'olio con olio versando l'olio attraverso un colino o un filtro di carta. (Figura 4)

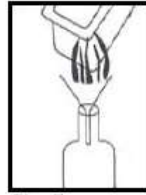


Fig.3

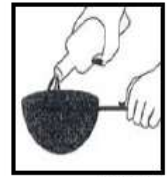


Fig.4

ISTRUZIONI PER LA PULIZIA

Per utilizzare l'apparecchio per molti anni, pulire la friggitrice dopo ogni utilizzo.

AVVERTENZA: Rimuovere sempre la spina dalla presa elettrica prima di pulire. Lasciare che la friggitrice e l'olio si raffreddino completamente (circa 2 ore) prima di pulirli.

1. Non immergere mai il pannello di controllo, il cavo o la spina in acqua o altri liquidi.
2. Non mettere il pannello di controllo, il cavo o la spina nella lavastoviglie.
3. Pulire il pannello di controllo solo con un panno umido.
4. Il serbatoio dell'olio e il cestello possono essere lavati sul cesto superiore della lavastoviglie.
5. Il coperchio della friggitrice può essere lavato in acqua tiepida con sapone. Non posizionare il corpo della friggitrice in un liquido o in una lavastoviglie.
6. Per pulire il filtro permanente, rimuoverlo dal coperchio e lavarlo con acqua calda con sapone. Risciacquare e asciugare bene prima di reinserirlo nel coperchio della friggitrice. Sostituire il coperchio del filtro.

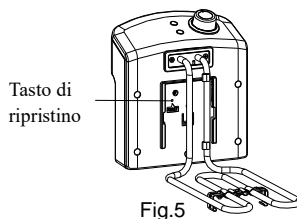
ATTENZIONE: Non lavare il filtro permanente in lavastoviglie.

FUNZIONE DI RIPRISTINO

La tua friggitrice ha una funzione di ripristino. Se per qualche motivo la friggitrice smette di riscaldarsi, il motivo possibile è che il tasto di ripristino si è inceppato.

Ripristino della friggitrice:

1. Scollegare l'apparecchio dalla presa elettrica.
2. Lasciare raffreddare completamente l'apparecchio e l'olio nel serbatoio.
3. Dopo che l'apparecchio si è completamente raffreddato, sollevare il pannello di controllo e utilizzando la punta di una penna chimica o una matita, premere il tasto di ripristino del termostato all'interno del pannello di controllo (Figura 5).



4. Fissare il pannello di controllo sul corpo della friggitrice e continuare la frittura.

RISOLUZIONE DEI PROBLEMI

PROBLEMA	CAUSE POSSIBILI	RISOLUZIONE
La friggitrice non funziona	<ol style="list-style-type: none">1. Il pannello di controllo non è installato correttamente.2. La spina non è collegata a una presa elettrica.3. La presa elettrica non è sotto tensione.4. Il tasto di ripristino si è inceppato.	<ol style="list-style-type: none">1. Ricollegare il pannello di controllo.2. Inserire la spina nella presa elettrica.3. Ripristinare l'interruttore di sicurezza o sostituire il fusibile.4. Spegner l'apparecchio e lasciarlo asciugare completamente. Rimuovere il pannello di controllo e premere il tasto di ripristino del termostato.
L'olio viene versato dalla friggitrice	<ol style="list-style-type: none">1. Troppo olio nel serbatoio dell'olio.2. Il cestello di cibo è strapieno.	<ol style="list-style-type: none">1. Spegner la friggitrice. Lasciare raffreddare l'olio completamente. Rimuovere l'olio in eccesso.2. Rimuovere il cibo in eccesso dal

	3. L'olio è troppo spesso usato e fa la schiuma.	cestello. 3. Spegnerne la friggitrice. Lasciare raffreddare l'olio completamente. Riempire il serbatoio dell'olio con olio nuovo.
Il cibo è mollo o grasso	1. L'olio non è abbastanza riscaldato. 2. Il cestello di cibo è strapieno.	1. Impostare la manopola di controllo della temperatura sulla temperatura corretta per il cibo da friggere. 2. Rimuovere il cibo in eccesso dal cesto di cibo.
Il cibo non è completamente preparato	1. Pezzi del cibo molto grandi. 2. Il tempo di preparazione è troppo breve. 3. Temperatura dell'olio troppo alta.	1. Tagliare il cibo in pezzi più piccoli. 2. Continuare a friggere e controllare continuamente il processo di preparazione. 3. Abbassare la temperatura dell'olio per rendere il cibo completamente fritto.
L'olio da cucina rilascia schiuma o fumo	1. L'olio è stato usato troppo spesso.	1. Lasciare raffreddare completamente l'olio e sostituirlo con olio nuovo.

SMALTIMENTO ECO-COMPATIBILE



Puoi aiutare a proteggere l'ambiente!
Ricordarsi di rispettare le normative locali:
consegnare le apparecchiature elettriche non funzionanti a un centro di smaltimento appropriato.

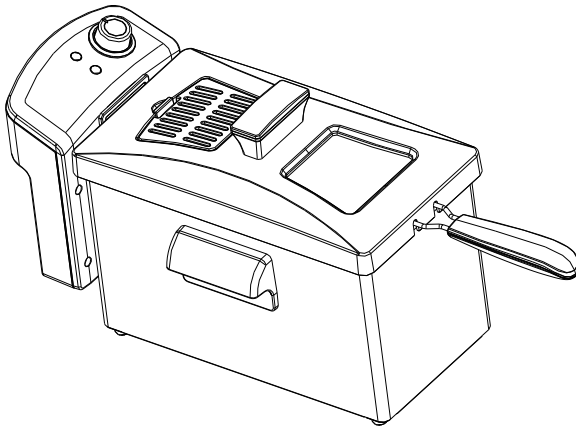




VOX
ELECTRONICS

DEU

BEDIENUNGSANLEITUNG
FT - 5410



Lesen Sie diese Bedienungsanleitung sorgfältig durch und bewahren Sie sie für die weitere Nutzung auf

WICHTIGE SICHERHEITSHINWEISE

Bei der Verwendung von Elektrogeräten sollten stets grundlegende Vorsichtsmaßnahmen getroffen werden, einschließlich der folgenden:

1. Lesen Sie alle Anweisungen.
2. Berühren Sie die heißen Oberflächen nicht. Verwenden Sie Griffe oder Knöpfe.
3. Tauchen Sie weder die Fritteuse noch Netzkabel oder -stecker in Wasser oder andere Flüssigkeiten, um einen elektrischen Schlag zu vermeiden.
4. Lassen Sie das Gerät nicht unbeaufsichtigt, wenn es von Kindern oder in der Nähe von Kindern verwendet wird.
5. Ziehen Sie den Stecker aus der Steckdose, wenn Sie das Gerät nicht benutzen und bevor Sie es reinigen. Lassen Sie das Gerät abkühlen, bevor Sie Teile anbringen oder abnehmen und bevor Sie das Gerät reinigen.
6. Stellen Sie das Gerät nie auf eine weiche Arbeitsfläche oder einen Tisch, die mit einem Tischtuch bedeckt ist. Stellen Sie sicher, dass das Gerät auf einer stabilen, ebenen Oberfläche verwendet wird.
7. Benutzen Sie das Gerät niemals nach einer Fehlfunktion, wenn das Netzkabel bzw. der Netzstecker defekt ist oder wenn es auf eine andere Weise beschädigt wurde. Um Gefährdungen zu vermeiden dürfen Reparaturen am Gerät, wie z.B. eine beschädigte Zuleitung austauschen, nur durch einen autorisierten Kundendienst vorgenommen werden.
8. Die Verwendung von Zubehörteilen, die nicht vom Hersteller des Geräts empfohlen werden, kann zu Verletzungen führen.
9. Lassen Sie das Kabel nicht über die Kante des Tisches oder der Theke hängen oder heiße Oberflächen berühren.
10. Verwenden Sie dieses Gerät nicht, wenn Ölbehälter, Öl und andere Materialien fehlen oder das Öl nicht ausreicht.
11. Stellen Sie es nie auf oder in der Nähe von heißen Oberflächen ab (z.B. Gas-, Elektroherdplatten etc.) oder in einen beheizten Ofen.
12. Seien Sie äußerst vorsichtig, wenn Sie einen Ortswechsel mit der Fritteuse durchführen, wenn heißes Öl sich in der Fritteuse befinden.

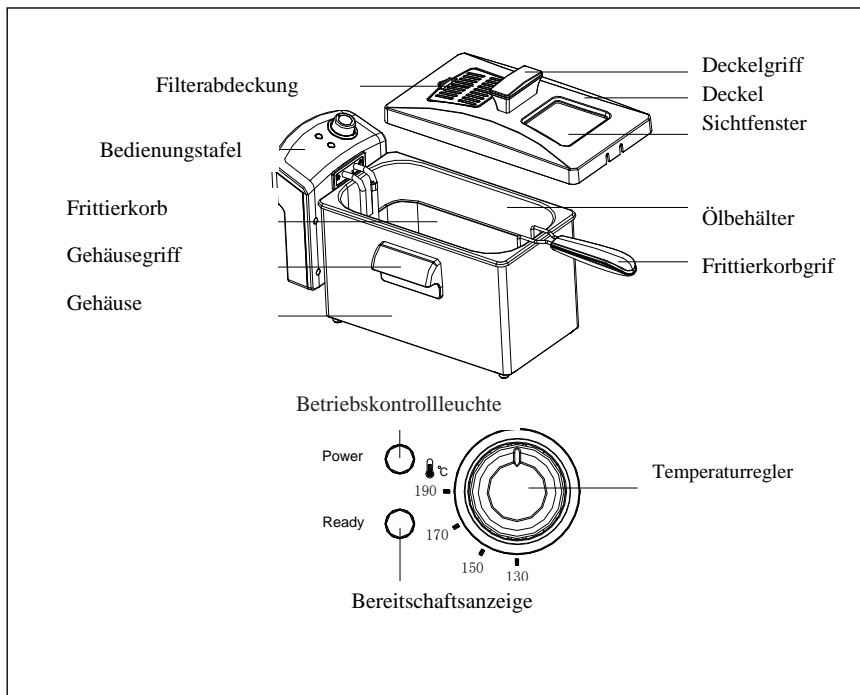
13. Stellen Sie stets sicher, dass die Fritteuse vor dem Gebrauch ordnungsgemäß zusammengebaut ist. Sehen Sie detaillierte Montageanleitung.
14. Stellen Sie vor dem Gebrauch immer sicher, dass der Ölbehälter richtig positioniert ist.
15. Vor dem Anschließen des Netzsteckers an die Steckdose stets sicherstellen, dass Öl im Frittierkorb ist.
16. Das Öl im Ölbehälter ist nach dem Ausschalten noch heiß. Bewegen Sie das Gerät nicht, bis es vollständig abgekühlt ist. Heben Sie den Ölbehälter mit den Griffen an.
17. Obwohl der abnehmbare Ölbehälter vollständig in Wasser eingetaucht und gereinigt werden kann, muss er vor dem nächsten Gebrauch gründlich getrocknet werden, um einen elektrischen Schlag zu vermeiden.
18. Überschreiten bzw. unterschreiten Sie nie die MAX- und MIN-Markierungen am Gerät beim Einfüllen von Öl oder Fett!
19. Entfernen Sie Eiskristalle von noch gefrorenen Lebensmitteln, bevor Sie diese in den Frittierkorb legen und trocknen Sie das Frittiergut gut ab, bevor Sie es ins Öl bzw. Fett eintauchen.
20. Dieses Gerät ist nicht dafür bestimmt, durch Personen (einschließlich Kinder) mit eingeschränkten physischen, sensorischen oder geistigen Fähigkeiten oder mangels Erfahrung und/oder mangels Wissen benutzt zu werden, es sei denn, sie werden durch eine für ihre Sicherheit zuständige Person beaufsichtigt oder erhalten von ihren Anweisungen, wie das Gerät zu benutzen ist.
21. Kinder sollten beaufsichtigt werden, um sicherzustellen, dass sie nicht mit dem Gerät spielen.
22. Heben Sie nach dem Frittieren immer den Korb an und warten Sie einige Sekunden, bis der Dampfdruck nachlässt.
23. Benutzen Sie das Gerät nur zu seinem bestimmten Zweck.
24. Benutzen Sie das Gerät nicht im Freien.
25. Bewahren Sie das Gerät im Haus auf, um den Ausfall elektronischer Bauteile zu verhindern.
26. **WARNUNG:** Heißes Öl und Fett können schwere Verbrennungen verursachen. Bewegen Sie das Gerät nicht während des Betriebs oder solange Teile oder der Inhalt heiß sind. Das Netzkabel darf nicht vom Rand der Fläche hängen, auf der die Fritteuse steht. Kinder könnten am herunterhängenden Kabel ziehen oder es könnte den Benutzer stören.

27. Das Gerät darf nicht mit einer externen Zeitschaltuhr oder separatem Fernwirksystem betrieben werden.

28. Dieses Gerät ist für den Gebrauch im Haushalt und ähnlichen Anwendungen bestimmt, z.B.

- Küchen in Geschäften, Büros und anderen Arbeitsumgebungen;
- Bauernhäuser;
- in Hotels, Motels und anderen Unterkünfte;
- Bed & Breakfast-Unterkünfte

29. Bewahren Sie diese Anweisungen auf.



BEDIENUNGSTAFEL

Temperaturregler

Der Temperaturregler schaltet die Fritteuse ein und stellt die gewünschte Temperatur zum Frittieren ein.

Betriebsanzeige

Die Betriebsanzeige leuchtet auf, wenn die Fritteuse eingeschaltet ist.

Bereitschaftsanzeige

Die Bereitschaftsanzeige wird beim Frittieren mehrmals ein- und ausgeschaltet. Dies zeigt, dass die Temperatur thermostatisch gehalten wird.

ERSTINBETRIEBNAHME

1. Entfernen Sie das Verpackungsmaterial und sämtliche Schutzfolien .

WARNUNG: Prüfen Sie, ob die Lieferung vollständig ist. Benutzen Sie die Fritteuse nicht, wenn die Bedienungsstafel sich nicht in der Fritteuse befindet. Schließen Sie die Fritteuse nur an, wenn das Gerät nicht vollständig zusammengebaut ist und das Heizelement in Öl eingetaucht ist.

WARNUNG: Tauchen Sie die Bedienungsstafel, das Kabel oder den Stecker nicht in Wasser.

WARNUNG: Dieses Gerät darf nicht zum Wasserkochen verwendet werden.

2. Ziehen Sie die Bedienungsstafel mit dem Heizelement aus der Halterung, indem Sie sie mit einer Hand von unten nach oben ziehen, während Sie den Körper der Fritteuse mit der anderen Hand halten.

3. Entfernen Sie den Ölbehälter vom Körper der Fritteuse.

4. Reinigen Sie den Ölbehälter und den Frittierkorb mit heißem Wasser, einem nicht scheuernden Spülmittel oder einem anderen ungiftigen Reinigungsmittel. Vor dem Gebrauch gut abtrocknen.

HINWEIS: Der Ölbehälter, der Frittierkorb, der Frittierkorbgriff, der Dauerfilter und der Deckel können im warmen Spülbad gereinigt werden.

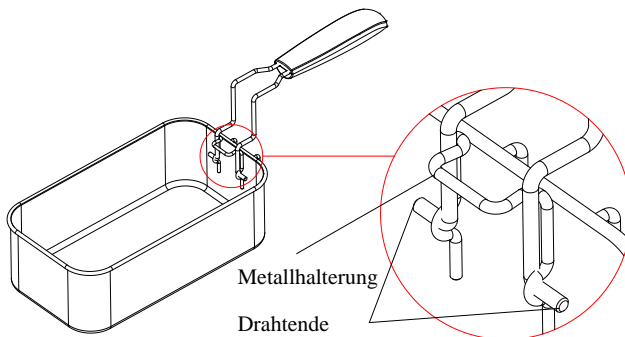
WARNUNG: Tauchen Sie die Bedienungsstafel, das Netzkabel oder den Stecker nicht in Flüssigkeiten jeglicher Art.

MONTIEREN SIE DIE FRITTEUSE

1. Setzen Sie den Ölbehälter ins Fritteusengehäuse.
2. Führen Sie die Führungskanten an der Bedienungstafel in die am Metallgehäuse montierten Führungsschienen ein.
3. Schieben Sie die Führungskanten so weit wie möglich nach unten.

HINWEIS: Die Fritteuse verfügt über einen automatischen Sicherheitsschalter, um sicherzustellen, dass das Gerät nicht in Betrieb ist, wenn die Bedienungstafel nicht fest in die Führungsschienen des Fritteusengehäuses eingesetzt wurde.

4. Bringen Sie den Griff des Frittierkorbs am Fritierkorb an, indem Sie die Griffstange zusammendrücken und in die Metallhalterung am Korb einsetzen. Stellen Sie sicher, dass das Drahtende in die Halterungslöcher eingeführt wird. Überprüfen Sie, ob der Griff fest sitzt (Abb. 2).



BEDIENUNG

WARNUNG: Schließen Sie die Fritteuse nur an, wenn Sie den Ölbehälter mit Öl gefüllt haben. Stellen Sie immer sicher, dass die Bedienungstafel sicher im Gehäuse der Fritteuse sitzt und dass das Heizelement sich im Ölbehälter befindet, bevor Sie die Fritteuse anschließen.

1. Füllen Sie flüssiges Öl oder Fett in den Ölbehälter ein. Beachten Sie dabei die Markierungen für die minimale Füllmenge und die maximale Füllmenge im Ölbehälter. Die Max- Füllhöhe (2,5 Liter) darf **nicht überschritten** und die Min- Füllhöhe(3,5 Liter) **nicht unterschritten** werden.

2. Sie können gemischtes Pflanzenöl, Maisöl oder Rapsöl verwenden. Olivenöl, Butter, Margarine oder Schmalz sind zum Frittieren nicht geeignet und dürfen nicht verwendet werden. Mischen Sie keine verschiedenen Öle und Fette. Mischen Sie nicht frische Öle/Fette mit alten Ölen/Fetten.

3. Wenn Sie festes Fett verwenden möchten, müssen Sie es zuerst schmelzen. Die Details finden Sie im Abschnitt „HINWEISE ZUR VERWENDUNG VOM FESTEN FETT“

4. Legen Sie den Deckel auf die Fritteuse.

5. Stecken Sie den Stecker in die Steckdose. Die Betriebsanzeige leuchtet auf.

VORSICHT: Schalten Sie nie die Bedienungstafel ein, wenn sie nicht am Fritierkörper montiert ist. Tauchen Sie die Bedienungstafel, das Netzkabel oder den Stecker nicht ins Wasser oder andere Flüssigkeiten.

6. Drehen Sie den Temperaturreglerknopf auf die gewünschte Temperatur.

7. Die Bereitschaftslampe leuchtet auf, wenn die eingestellte Temperatur erreicht ist.

8. Füllen Sie den Frittierkorb nicht, wenn er in heißes Öl getaucht ist. Legen Sie die Lebensmittel in den Frittierkorb. Lassen Sie die Lebensmittel nicht in das heiße Speiseöl fallen. Überfüllen Sie den Frittierkorb nicht, die maximale Belastung beträgt 250 g. Für optimale Ergebnisse und kürzere Frittierzeit braten Sie kleinere Menge.

WARNUNG: Beim Frittieren von Tiefkühlkost befüllen Sie den Korb außerhalb der Fritteuse, um Spritzer zu vermeiden

VORSICHT: Beim Frittieren von Tiefkühlkost wie Pommes Frites sollte die Auffülllinie "Max" am Frittierkorb nicht überschritten werden. Eis vor dem Frittieren von gefrorenen Speisen entfernen.

9. Tauchen Sie den Frittierkorb vorsichtig in den Ölbehälter, damit das Öl nicht spritzt.

10. Bringen Sie den Frittierdeckel beim Frittieren wieder an.

11. Wenn die Frittierzeit abgelaufen ist, drehen Sie den Temperaturregler in die Position „OFF“ und ziehen Sie den Stecker aus der Steckdose.

12. Entfernen Sie vorsichtig den Frittierdeckel, indem Sie ihn anheben, damit der Dampf entweichen kann, bevor Sie den Deckel vollständig entfernen. Halten Sie Ihr Gesicht von der Oberseite des Geräts fern, um Verbrennungen durch entweichenden Dampf zu vermeiden.

13. Heben Sie den Frittierkorb am Griff an und legen Sie ihn auf den Ölbehälter, damit das Öl ablaufen kann

14. Sobald das Öl aus dem Frittierkorb abgelaufen ist, kann der Korb abgehoben und das Essen serviert oder in eine Schüssel gestellt werden.

WARNUNG: Lassen Sie die Fritteuse immer vollständig abkühlen (ca. 2 Stunden), bevor Sie sie reinigen oder lagern. Tragen oder bewegen Sie nie das Gerät mit heißem Öl.

ACHTUNG: Die Metalloberflächen der Fritteuse werden während des Betriebs heiß. Berühren Sie während des Gebrauchs die Seiten des Geräts nicht.

FRITTIERTIPPS

1. Nur mit dem Korb frittieren!

2. Legen Sie beim Frittieren immer den Deckel auf. Den Deckel vorsichtig wieder aufsetzen.

3. Wenn das Öl vorgewärmt ist, leuchtet die Bereitschaftsanzeige und zeigt an, dass die gewünschte Temperatur erreicht ist.

4. Senken Sie den Frittierkorb langsam in das heiße Öl. Ein zu schnelles Absenken des Frittierkorbs kann dazu führen, dass das Öl überläuft und spritzt.

5. Es ist normal, dass Dampf während des Frittierens durch die Seiten des Deckels entweicht.

6. Stellen Sie sich nicht zu nahe an die Fritteuse, während sie in Betrieb ist.

7. Mischen Sie nie neues und altes Öl zusammen.

8. Öl regelmäßig wechseln. Im Allgemeinen wird Öl beim Frittieren von Lebensmitteln, die viel Eiweiß enthalten (wie Geflügel, Fleisch und Fisch), schnell befleckt. Wenn Öl hauptsächlich zum Frittieren von Kartoffeln verwendet wird und nach jedem Gebrauch gefiltert wird, kann es 8 bis 10 Mal verwendet werden. Verwenden Sie dasselbe Öl jedoch nicht länger als 6 Monate.

9. Wechseln Sie immer das Öl in folgenden Fällen: unangenehme Gerüche, Rauchbildung während des Frittiervorgangs; das Öl beginnt zu schäumen, ist dunkel oder sirupartig geworden.

10. Trocknen Sie das Frittiergut gut ab, bevor Sie es ins Öl bzw. Fett eintauchen. Entfernen Sie Eiskristalle von noch gefrorenen Lebensmitteln.

11. Achten Sie darauf, dass das Frittiergut in gleichmäßig feine Stücke geschnitten ist. Zu dick geschnittenes Frittiergut braucht mehr Zeit zum Frittieren.

12. Bei den angegebenen Frittierzeiten und Temperaturen handelt es sich um Richtwerte, die je nach Menge und persönlichem Geschmack geändert werden müssen. Die folgenden Garzeiten

geben nur die ungefähre Zeit an, die erforderlich ist, um einen bis zur Hälfte gefüllten Korb zu frittieren.

TEMPERATUREINSTELLUNGEN

Im Allgemeinen werden niedrigere Einstellungen für empfindliche Lebensmittel (Gemüse, Fisch) und höhere Einstellungen für Tiefkühlkost, Pommes Frites und Huhn verwendet.

Nahrungsmittel	Zeit	Temperatur
Pommes frites	6-9 Minuten	190°C
Fischfilet	3-5 Minuten	150°C
Hühnerfinger	6-8 Minuten	170°C
Hühnerstücker	13-20 Minuten	170°C
Frittierte Zucchini	3 Minuten	150°C
Frittierte Champignons	3 Minuten	150°C
Zwiebelringe	3 Minuten	150°C
Donuts	3-5 Minuten	170°C
Apfelbeignets	4 Minuten	170°C
Garnele	4-6 Minuten	150°C

HINWEISE ZUR VERWENDUNG VOM FESTEN FETT

WARNUNG: Legen Sie kein festes Fett in den Ölbehälter oder den Frittierkorb.

1. Wenn Sie festes Pflanzenfett verwenden, schmelzen Sie es zuerst in einem separaten Behälter und gießen Sie dann das geschmolzene Fett sehr vorsichtig in den Ölbehälter.
2. Zuvor verwendetes festes Pflanzenfett, das im Ölbehälter geronnen und ausgehärtet ist, sollte vor der Wiederverwendung aus dem Ölbehälter entnommen und in einer separaten Pfanne geschmolzen werden.

WARNUNG: Wenn Sie versuchen, das erstarrte Fett im Ölbehälter zu schmelzen, besteht die Gefahr, dass heißgeschmolzenes Fett plötzlich von unten durch die feste Fettschicht spritzt.

Verwenden Sie nur das folgende Verfahren beim Schmelzen von festem Fett in Ihrer Fritteuse:

1. Stellen Sie sicher, dass das Fett Raumtemperatur hat. Wenn das Fett kalt ist, besteht ein erhöhtes Spritzrisiko.
2. Mit einer Gabel vorsichtig einige Löcher in das Fett stechen.
3. Stellen Sie sicher, dass der Deckel immer sicher geschlossen ist, während das Fett schmilzt.
4. Stellen Sie den Temperaturregler auf 150 ° C.

WICHTIG: Die Betriebsanzeige leuchtet auf, sobald die Steckdose angeschlossen ist. Die Bereitschaftsanzeige leuchtet auf, wenn das Fett oder Öl im Behälter die gewählte Temperatur erreicht hat.

FILTRIEREN UND ÖL WECHSELN

ACHTUNG: Vergewissern Sie sich, dass die Fritteuse aus der Steckdose gezogen ist und das Öl abgekühlt ist (ca. 2 Stunden), bevor Sie das Öl wechseln oder die Fritteuse reinigen und lagern.

HINWEIS: Das Öl muss nach jedem Gebrauch nicht gewechselt werden. Im Allgemeinen wird das Öl beim Frittieren von Lebensmitteln, die viel Eiweiß enthalten (z.B. Geflügel, Fleisch oder Fisch), ziemlich schnell befleckt. Wenn Öl hauptsächlich zum Frittieren von Kartoffeln verwendet wird und nach jedem Gebrauch gefiltert wird, kann es 8 bis 10 Mal verwendet werden. Verwenden Sie dasselbe Öl jedoch nicht länger als 6 Monate.

So filtern Sie das Öl:

1. Stellen Sie sicher, dass das Öl abgekühlt ist (ca. 2 Stunden), und leeren Sie das Öl aus dem Ölbehälter in einen anderen Behälter oder eine andere Flasche. (Abb. 3)
2. Waschen und trocknen Sie den Ölbehälter und den Frittierkorb.
3. Füllen Sie den Ölbehälter mit Öl auf, indem Sie das Öl durch ein Sieb oder einen Papierfilter gießen. (Fig. 4)

REINIGUNGSANLEITUNG

Reinigen Sie Ihre Fritteuse nach jedem Gebrauch, um einen langjährigen Betrieb Ihres Geräts zu gewährleisten.

WARNUNG: Ziehen Sie vor der Reinigung immer den Stecker aus der Steckdose. Lassen Sie die Fritteuse und das Öl vor der Reinigung vollständig abkühlen (ca. 2 Stunden).

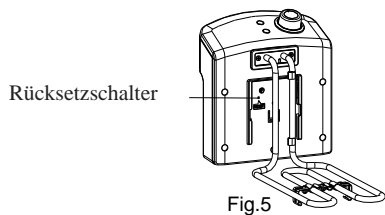
1. Tauchen Sie niemals die Bedienungs­tafel, das Kabel oder den Stecker in Wasser oder andere Flüssigkeiten.
2. Legen Sie die Bedienungs­tafel, das Kabel oder den Stecker nicht im Geschirrspüler.
3. Reinigen Sie die Bedienungs­tafel nur mit einem feuchten Tuch.
4. Der Ölbehälter und der Frittierkorb können auf dem oberen Geschirrkorb einer Geschirrspülmaschine gewaschen werden.
5. Den Frittierdeckel können Sie in gewohnter Weise im warmen Spülbad reinigen. Legen Sie die Fritteuse nie in die Flüssigkeit oder den Geschirrspüler.
6. Um den Dauerfilter zu reinigen, entfernen Sie ihn von der Abdeckung und reinigen Sie ihn im warmen Spülbad. Spülen und trocknen Sie ihn gut ab, bevor Sie ihn wieder in die Fritteusendeckel einsetzen. Ersetzen Sie die Filterabdeckung.

VORSICHT: Reinigen Sie den Dauerfilter nicht in der Spülmaschine.

DIE RESET- FUNKTION

Ihre Fritteuse ist mit einer Reset-Funktion ausgestattet. Wenn die Fritteuse aus irgendeinem Grund nicht funktioniert, kann der Grund dafür sein, dass der Rücksetzschalter ausgelöst hat. So setzen Sie die Fritteuse zurück:

1. Trennen Sie das Gerät von der Steckdose.
2. Lassen Sie das Gerät und das Öl im Ölbehälter vollständig abkühlen.
3. Wenn das Gerät vollständig abgekühlt ist, heben Sie die Bedienungs­tafel an und drücken Sie mit der Spitze eines Kugelschreibers oder Bleistifts die Thermostatrückstell­ta­ste an der Innenseite der Bedienungs­tafel (Abb. 5)
4. Bringen Sie die Bedienungs­tafel wieder am Gehäuse der Fritteuse an, und Sie können das Frittieren fortsetzen.



FEHLERBEHEBUNG

Problem	mögliche Ursache	Abhilfe
Die Fritteuse funktioniert nicht	<ol style="list-style-type: none"> 1. Die Bedienungsfläche ist nicht richtig installiert. 2. Der Stecker ist nicht an die Steckdose angeschlossen. 3. Die Steckdose liefert keinen Strom. 4. Der Rücksetzschalter hat ausgelöst. 	<ol style="list-style-type: none"> 1. Bringen Sie die Bedienungsfläche wieder an. 2. Stecken Sie den Stecker in die Steckdose. 3. Überprüfen Sie die Sicherungen. 4. Schalten Sie das Gerät aus und lassen Sie es vollständig abkühlen. Entfernen Sie dann das Bedienungsfläche und drücken Sie die Thermostat-Reset-Taste.
Das Frittieröl läuft über	<ol style="list-style-type: none"> 1. Zu viel Öl im Ölbehälter. 2. Der Frittierkorb ist überfüllt. 3. Öl wurde zu oft verwendet und schäumt. 	<ol style="list-style-type: none"> 1. Schalten Sie die Fritteuse aus. Lassen Sie das Öl vollständig abkühlen und entfernen Sie etwas überschüssiges Öl. 2. Entfernen Sie einige Lebensmittel. 3. Schalten Sie die Fritteuse aus. Lassen Sie das Öl vollständig abkühlen und füllen Sie den Ölbehälter mit neuem Öl auf.
Die Lebensmittel schmecken matschig oder fettig	<ol style="list-style-type: none"> 1. Das Öl ist nicht heiß genug. 2. Der Frittierkorb ist überfüllt. 	<ol style="list-style-type: none"> 1. Stellen Sie den Temperaturregler auf die geeignete Temperatur für das Frittiergut ein. 2. Entfernen Sie einige Lebensmittel.
Die Lebensmittel sind nicht vollständig frittiert	<ol style="list-style-type: none"> 1. Die Lebensmittel sind zu groß. 2. Die Frittierdauer ist zu kurz. 3. Das Öl ist zu heiß. 	<ol style="list-style-type: none"> 1. Zerkleinern Sie die Lebensmittel. 2. Frittieren Sie sie weiter und überprüfen Sie sie regelmäßig 3. Regeln Sie die Temperatur, damit das Frittiergut vollständig frittiert werden kann.
Öl schäumt oder Rauch tritt aus	<ol style="list-style-type: none"> 1. Das Öl wurde zu oft verwendet. 	<ol style="list-style-type: none"> 1. Lassen Sie das Öl vollständig abkühlen und erneuern Sie es.

UMWELTFREUNDLICHE ENTSORGUNG



Sie können dazu beitragen, die Umwelt zu schützen!
Altgeräte dürfen nicht in den Hausmüll! Geben Sie sie bei
einer geeigneten Sammelstelle ab.

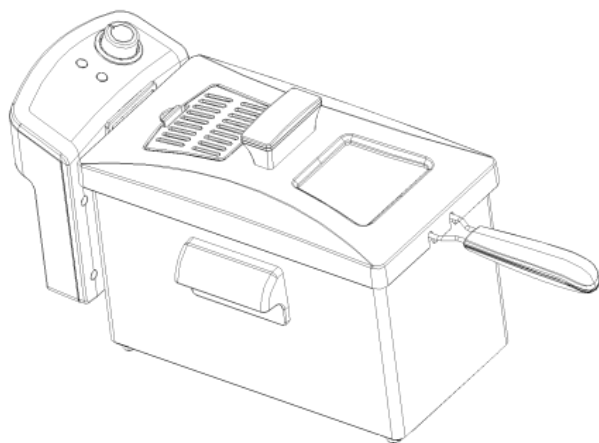


VOX
ELECTRONICS

RUS

РУКОВОДСТВО ПО ЭКСПЛУАТАЦИИ

FT - 5410



Перед началом эксплуатации устройства внимательно прочитайте данную инструкцию и сохраните ее для дальнейшего использования.

ВАЖНЫЕ УКАЗАНИЯ ПО ТЕХНИКЕ БЕЗОПАСНОСТИ

Перед началом эксплуатации электрического устройства необходимо выполнить основные требования безопасности, включая следующее:

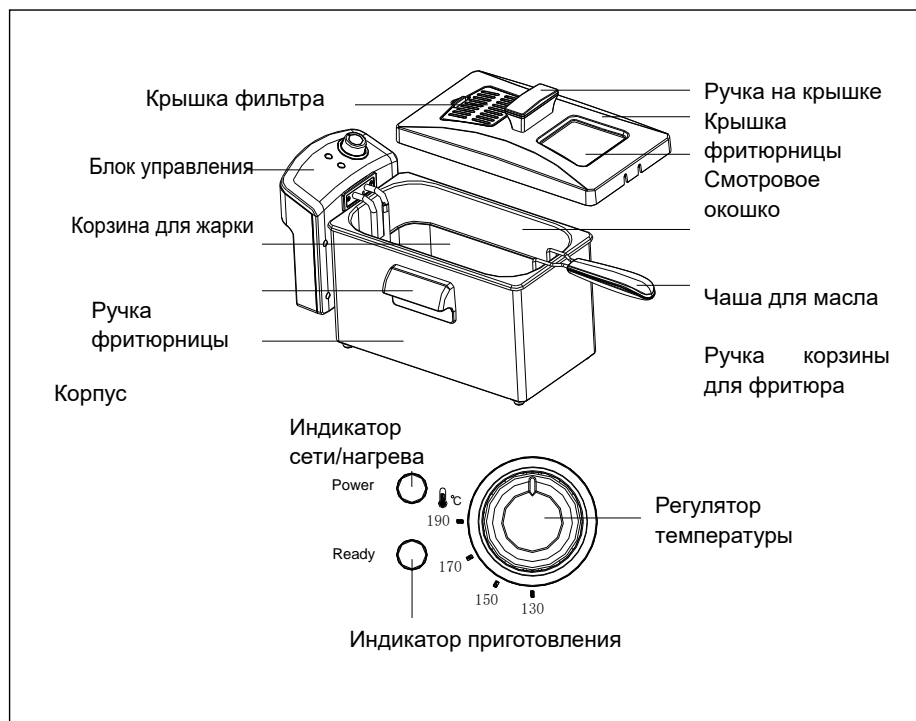
1. Прочитайте всю инструкцию.
2. Не касайтесь горячей поверхности. Используйте ручки, крюки или кухонные перчатки.
3. Во избежание риска поражения током не погружайте шнур, вилку сетевого шнура или корпус в воду или любую другую жидкость.
4. Не оставляйте работающую фритюрницу без присмотра в присутствии детей или если ею пользуются дети.
5. Отключайте устройство от сети, если Вы им не пользуетесь или перед его чисткой. Снятие или установка частей или чистка разрешены только после полного охлаждения устройства.
6. Не ставьте устройство на мягкую рабочую поверхность или накрытый скатертью стол, пользуйтесь устройством только на твердой рабочей поверхности.
7. Не используйте устройство с поврежденным кабелем, вилкой сетевого шнура или при наличии неполадок в его работе или какого-либо повреждения. Обратитесь в ближайший специализированный сервисный центр для проверки, ремонта или регулировки.
8. Использование любых дополнительных деталей, не рекомендованных изготовителем, может привести к травмам.
9. Не оставляйте кабель электропитания свисать с края стола или рабочей поверхности или вблизи горячих поверхностей.
10. Запрещается включать фритюрницу без установленной чаши для масла с маслом, или какого-либо другого материала, или с недостаточным количеством масла.
11. Не устанавливайте аппарат на или вблизи газовой или электрической плиты, а также в разогретую духовку.
12. При перемещении фритюрницы, наполненной горячим маслом, необходимо быть максимально осторожным.

13. Убедитесь, что ручки хорошо закреплены к корзине и зафиксированы.
Прочитайте подробную инструкцию по сборке устройства.
14. Перед использованием убедитесь, что чаша для масла хорошо установлена.
15. Запрещается включать фритюрницу к сети питания без установленной чаши для масла с маслом.
16. После выключения устройства чаша с маслом все еще горячая. Дайте фритюрнице остыть перед тем, как перемещать устройство. Чашу для масла можно вынимать с помощью специальных ручек.
17. Хотя съемную чашу для масла можно полностью погрузить в воду и очистить, во избежание поражения электрическим током перед следующим использованием она должна быть полностью сухой.
18. Никогда не наполняйте чашу для масла большим количеством масла. Заправляйте объемы выше отметки «Минимум», но ниже отметки «Максимум», как это указано на внутренней стороне чаши для масла.
19. Не добавляйте продукты со льдом или мокрые продукты в горячее масло!
20. Этот прибор не предназначен для использования лицами (в том числе и детьми) с ограниченными физическими, сенсорными или умственными способностями, а также лицами, не имеющими достаточный опыт и знания, если они не находятся под наблюдением или не ознакомлены с правилами безопасного использования устройства со стороны лица, ответственного за их безопасность.
21. Не позволяйте детям играть с прибором.
22. Всегда после завершения жарки поднимите корзину подождите несколько секунд, до уменьшения давления пара.
23. Запрещается использовать прибор не по назначению.
24. Не используйте фритюрницу на открытом воздухе.
25. Во избежание неисправностей электрических частей храните фритюрницу внутри помещения.
26. **ВНИМАНИЕ:** Попытка перемещения фритюрницы с рабочей поверхности может привести к серьезным ожогам. Не допускайте, чтобы шнур питания свисал с края рабочей поверхности, на котором стоит фритюрница, где до него

могут дотянуться дети или где он может быть зацеплен пользователем.

27. Настоящий прибор нельзя включить через внешний таймер или через систему с отдельным дистанционным управлением.
28. Настоящее устройство предназначено для использования в домашнем хозяйстве и использования в аналогичных условиях, таких как:
- Кухонные помещения в магазинах, офисах и других рабочих помещениях;
 - В сельских домохозяйствах;
 - Гостями гостиниц, в мотелях и в аналогичных видах размещения;
 - В гостиницах типа «проживание с завтраком».
29. Сохраните данную инструкцию.

ОПИСАНИЕ ПРОДУКТА



БЛОК УПРАВЛЕНИЯ

Регулятор температуры

Регулятор температуры включает фритюрницу и устанавливает желаемую температуру приготовления.

Индикатор сети/нагрев

Когда фритюрница включена, загорается световой индикатор сети/нагрева.

Индикатор приготовления

Во время приготовления световой индикатор приготовления несколько раз включается и выключается. Это показывает поддержание температуры.

ПЕРВОЕ ИСПОЛЬЗОВАНИЕ ФРИТЮРНИЦЫ

1. Удалите всю упаковку, все наклейки и/или этикетки с поверхности фритюрницы.

ВНИМАНИЕ! Фритюрницу можно включить только после установки блока управления в ее корпусе. Включайте фритюрницу только после полной ее сборки и после погружения нагревательного элемента в масло.

ВНИМАНИЕ! Не погружайте блок управления, шнур, вилку сетевого питания в воду.

ВНИМАНИЕ! Это устройство запрещается использовать для нагрева воды.

2. Поднимите блок управления с нагревательным элементом из отсека одной рукой снизу, а другой рукой удерживайте корпус фритюрницы.

3. Из корпуса фритюрницы извлеките чашу для масла.

4. Промойте чашу для масла и корзину для жарки мягкой губкой в горячей воде с добавлением моющего средства или другого нетоксичного моющего средства.

Перед использованием хорошо высушите.

ПРИМЕЧАНИЕ: Чаша для масла, корзина для жарки, ручка корзины для жарки, постоянный фильтр и крышку можно мыть в теплой воде с мылом.

ВНИМАНИЕ! Не погружайте блок управления, шнур, вилку сетевого питания в воду и любую другую жидкость.

СБОРКА ФРИТЮРНИЦЫ

1. Установите чашу для масла в корпус фритюрницы.
2. Вставьте нагревательный элемент в обе направляющих на блоке управления, установленных на металлическом корпусе прибора (Рис.1).

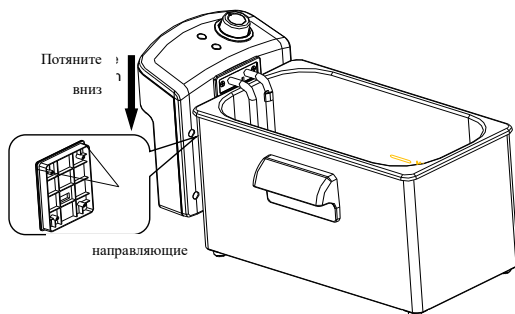


Рис.1

3. Толкните край направляющей вниз до фиксации.

ПРИМЕЧАНИЕ: Фритюрница оснащена автоматическим предохранительным выключателем, который обеспечивает работу фритюрницы только при прочной установке блока управления и направляющей на корпусе фритюрницы.

4. Закрепите ручку для переноски фритюрницы к корзине фритюрницы, одновременно нажав на ручки и вставив их на металлический кронштейн на корзине. Убедитесь, что конец стержня вставлен в отверстия для кронштейнов. Поднимите ручку вверх до достижения позиции фиксации (Рис. 2).



Рис.2

ИСПОЛЬЗОВАНИЕ ФРИТЮРНИЦЫ

ВНИМАНИЕ! Запрещается включать фритюрницу к сети питания без наполнения чаши для масла с маслом. Перед включением фритюрницы убедитесь, что блок управления прочно закреплен к корпусу фритюрницы и, что нагревательный элемент погружен в чашу для масла.

1. Наполните чашу для масла выше отметки "Min", но ниже отметки "Max", в соответствии с линией для наполнения в чаше для масла. ***Никогда не переполняйте или не наполняйте масла в недостаточном количестве.*** Уровень масла должен поддерживаться между минимальным (2,5 литра) и максимальным уровнем (3,5 литра), указанным на внутренней стороне чаши для масла.
2. Можете использовать смешанные различные сорта растительного масла, кукурузное масло или каноловое масло. ***Нельзя использовать оливковое масло, маргарин, свиной жир или жир, стекающий с мяса во время жарки.*** Не рекомендуется смешивать старое и новое масло или другие масла и жиры.
3. Если Вы желаете использовать брикеты твердого жира, Вы должны сначала их растопить, подробности можете найти в разделе **«СОВЕТЫ ПО ИСПОЛЬЗОВАНИЮ БРИКЕТОВ ТВЕРДОГО ЖИРА»**.
4. Закройте крышку фритюрницы.
5. Вставьте вилку в розетку. Загорится индикатор сети/нагрев.

ВНИМАНИЕ! Пока блок управления не будет установлен на корпусе фритюрницы, запрещается ее включение. Не погружайте блок управления, шнур, вилку сетевого питания в воду или любую другую жидкость.

6. С помощью регулятора температуры установите необходимую температуру.
7. При достижении необходимой температуры загорится индикатор приготовления.
8. Не кладите в корзину продукты для жарки после ее погружения в горячее масло. Кладите продукты в корзину для жарки. Запрещается класть продукты в горячее масло. Не кладите слишком много продуктов, максимальная нагрузка составляет 250 грамм. Для достижения оптимальных результатов и сокращения времени

жарки, продукты обжаривайте небольшими количествами.

ВНИМАНИЕ! Во избежание выплескивания масла или получения ожогов, для приготовления замороженных продуктов рекомендуется сначала достать корзину из фритюрницы и лишь после этого заполнить ее продуктами,

ВНИМАНИЕ! При жарке замороженных продуктов, таких как картофель фри, не превышайте линию «Макс», отмеченную на корзинке. С замороженных продуктов до жарки необходимо удалить кристаллы льда. Во время укладки продуктов во фритюрницу, во избежание вытекания масла, необходимо придерживаться рекомендаций, приведенных выше.

9. Погружайте корзину в масло очень медленно, чтобы избежать его выплескивания.

10. Во время готовки замените крышку фритюрницы.

11. Когда время приготовления истекло, переведите регулятор температуры в положение “OFF” («ВЫКЛ») и отключите фритюрницу от электрической сети.

12. Осторожно поднимите крышку фритюрницы, держа ее дальше от себя, для обеспечения полного выхода пара из нее до момента полного снятия крышки. Во избежание получения ожогов от выходящего наружу пара держите лицо подальше от верхней части фритюрницы.

13. После окончания жарки поднимите корзину и удерживайте ее с помощью ручки над чашей для масла, чтобы масло стекало с корзины.

14. После того, как Вы выльете масло из чаши для масла, упомянутую чашу для масла можете использовать для подачи приготовленных продуктов или можете подать в другой посуде.

ВНИМАНИЕ! Перед чисткой или хранением дайте фритюрнице полностью остыть (порядка 2-х часов). Перемещение и передвижение фритюрницы с горячим маслом внутри запрещается.

ВНИМАНИЕ! Во время использования металлические поверхности фритюрницы сильно нагреваются. Не прикасайтесь к корпусу фритюрницы во время работы.

СОВЕТЫ ПО ИСПОЛЬЗОВАНИЮ ФРИТЮРНИЦЫ

1. Для приготовления продуктов всегда используйте корзину для жарки.
2. При приготовлении крышка всегда должна быть закрытой. Осторожно снимите крышку.
3. Когда масло предварительно нагрето, световой индикатор температуры загорается, указывая, что достигнута необходимая температура.
4. Медленно погружайте корзину в горячее масло. При быстром погружении корзины масло может вытекать и выплеснуться.
5. Во время жарки выход пара наружу является нормальным.
6. Не стойте слишком близко к фритюрнице во время работы.
7. Не смешивайте новое и старое масло.
8. Регулярно меняйте масло. В основном, масло становится прогорклым при приготовлении продуктов, с высоким содержанием белка (птица, мясо и рыба). Если масло используется для жарки картофеля и фильтруется после каждого использования, его можно использовать от 8 до 10 раз, но одно и то же масло нельзя использовать более 6 месяцев.
9. Всегда, как только во время нагревания начинает образовываться пена, или когда цвет масла темнеет, или когда чувствуется прогорклый запах или вкус, или когда масло приобретает консистенцию сиропа, его следует заменить.
10. Убедитесь, что подготовленные для приготовления продукты полностью высушены. Перед жаркой с замороженных продуктов удалите кристаллы льда.
11. Для равномерной жарки куски продуктов должны быть одинакового размера и толщины. Для более толстых кусков требуется больше времени.
12. Указанное время приготовления является приблизительным временем, необходимым для жарки одной корзины, наполненной наполовину. Точное время может изменяться в зависимости от конкретного количества, персонального вкуса, количества и толщины кусков и т.п.

РЕГУЛИРОВАНИЕ ТЕМПЕРАТУРЫ

В основном, для приготовления легкой пищи (овощи, рыба) устанавливается низкая температура, а для замороженных продуктов, картофеля фри и курицы более высокие.

ПРОДУКТЫ	ВРЕМЯ ПРИГОТОВЛЕНИЯ	ТЕМПЕРАТУРА
Картофель фри	6-9 минут	190°C
Рыбное филе	3-5 минут	150°C
Куриные пальчики	6-8 минут	170°C
Кусочки курицы	13-20 минут	170°C
Жареные кабачки	3 минуты	150°C
Жареные грибы	3 минуты	150°C
Кружочки лука	3 минуты	150°C
Пончики	3-5 минут	170°C
Жареные яблоки	4 минуты	170°C
Креветки	4-6 минут	150°C

СОВЕТЫ ПО ИСПОЛЬЗОВАНИЮ БРИКЕТОВ ТВЕРДОГО ЖИРА

ВНИМАНИЕ! Не кладите брикеты твердого жира в чашу для масла или в корзину для жарки.

1. Если Вы используете твердый растительный жир, то сначала растопите его в отдельной миске, а только после этого осторожно налейте топленый жир в чашу для масла.
2. Ранее использованный твердый растительный жир, забившийся и застрявший в чаше для масла, перед его повторным использованием необходимо удалить из чаши и растопить в отдельной сковороде или кастрюле.

ВНИМАНИЕ! Если Вы попытаетесь растопить затвердевший в чаше для масла жир, существует риск, что быстро растопленный нижний слой жира может брызнуть сквозь верхний, более твердый слой.

Выполняйте только следующую процедуру

Когда растапливаете твердый растительный жир во фритюрнице:

1. Убедитесь, что температура жира соответствует комнатной температуре. Если жир холодный, существует большой риск разбрызгивания.
2. С помощью вилки осторожно проткните жир в нескольких местах.
3. Во время растапливания крышка всегда должна быть плотно закрыта.
4. Установите регулятор температуры на 150°C.

ВАЖНО! Когда фритюрница включается в сеть, загорается световой индикатор сети/нагрева. Когда жир или масло в чаше достигает необходимой температуры, загорается индикатор приготовления.

ФИЛЬТРАЦИЯ & ЗАМЕНА МАСЛА

ВНИМАНИЕ! При каждой смене масла или перед чисткой и хранением фритюрницы убедитесь, что фритюрница выключена из розетки на стене и масло полностью остыло (приблизительно в течение 2 –х часов).

ПРИМЕЧАНИЕ: После каждого использования не следует менять масло. В основном, при приготовлении продуктов с высоким содержанием белка (мясо птицы, мясо и рыба), масло быстро становится непригодным. Если масло используется для жарки картофеля и фильтруется после каждого использования, его можно использовать от 8 до 10 раз, но нельзя использовать одно и то же масло более 6 месяцев.

Фильтрация масла:

1. Убедитесь, что масло достаточно остыло (приблизительно в течение 2 –х часов) и слейте масло из чаши для масла в другую емкость или бутылку (Рис.3).
2. Вымойте и высушите чашу для масла и корзину для жарки.
3. Заполните чашу для масла маслом через металлическое ситечко или бумажный фильтр (Рис. 4)

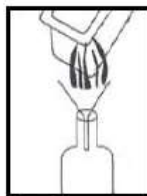


Рис.3

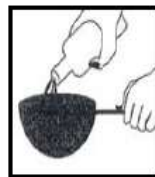


Рис.4

РЕКОМЕНДАЦИИ ПО ЧИСТКЕ

В целях более длительного использования фритюрницы ее следует чистить после каждого использования.

ВНИМАНИЕ! Перед чисткой всегда вынимайте вилку сетевого шнура из розетки. Перед чисткой дайте фритюрнице и маслу остыть (приблизительно в течение 2 часов).

1. Никогда не погружайте блок управления, шнур или вилку сетевого шнура или корпус в воду или любую другую жидкость.
2. Не кладите блок управления, шнур или вилку сетевого шнура в посудомоечную машину.
3. Блок управления протрите только влажной тканью.
4. Чашу для масла и корзину можно помыть на верхней полке посудомоечной машины.
5. Крышку фритюрницы можно мыть в теплой воде с мылом. Не помещайте корпус фритюрницы в жидкость или посудомоечную машину.
6. Для очистки постоянного фильтра, снимите его с крышки и промойте его в горячей воде с мылом. Перед тем как установить его в крышку фритюрницы хорошенько промойте и высушите. Замените крышку фильтра.

ОСТОРОЖНО: Запрещается мыть постоянный фильтр в посудомоечной машине.

ФУНКЦИЯ СБРОСА СОСТОЯНИЯ ОБОРУДОВАНИЯ (исходное состояние)

Ваша фритюрница имеет функцию сброса состояния оборудования. Если по какой-либо причине фритюрница перестает нагреваться, это может быть связано с заклиниванием кнопки сброса состояния.

Сброс состояния фритюрницы (исходное состояние):

1. Выключите фритюрницу из розетки на стене.

2. Дайте фритюрнице и маслу в чаше для масла полностью остыть.

3. Убедитесь, что устройство полностью остыло.

Поднимите блок управления и наконечником шариковой ручки или деревянным карандашом нажмите на кнопку «Сброс» (RESET) термостата внутри блока управления (Рис. 5)



Рис.5

4. Закрепите блок управления к корпусу фритюрницы и продолжайте жарить.

УСТРАНЕНИЕ НЕИСПРАВНОСТЕЙ

НЕИСПРАВНОСТЬ	ВОЗМОЖНЫЕ ПРИЧИНЫ	УСТРАНЕНИЕ
Фритюрница не работает	1. Блок управления неправильно установлен. 2. Вилка не подключена к электрической розетке. 3. Питание не поступает в розетку. 4. Переключатель сброса состояния заблокирован.	1. Вновь закрепите блок управления. 2. Вставьте вилку в розетку на стене. 3. Нажмите на «Сброс» (RESET) выключатель предохранитель или замените предохранитель. 4. Выключите устройство и дайте ему полностью остыть. Снимите блок управления и нажмите на кнопку «Сброс» (RESET) термостата.
Масло выливается за края фритюрницы	1. Слишком много масла в чаше для масла.	1. Выключите фритюрницу и после полного остывания масла, слейте лишнее масло.

	<ol style="list-style-type: none"> 2. Слишком много продуктов в корзине. 3. Масло много раз было использовано и вызывает появление пены. 	<ol style="list-style-type: none"> 2. Удалите лишние продукты из корзины. 3. Выключите фритюрницу и после полного остывания масла, наполните чашу для масла новым маслом.
Продукты сырые или жирные	<ol style="list-style-type: none"> 1. Масло нагрето недостаточно 2. Слишком много продуктов в корзине. 	<ol style="list-style-type: none"> 1. Для нормальной жарки продуктов установите кнопку регулятора температуры на необходимую температуру. 2. Удалите лишние продукты из корзины.
Продукты не приготовлены полностью	<ol style="list-style-type: none"> 1. Куски продуктов слишком большие. 2. Очень короткое время приготовления. 3. Слишком высокая температура масла. 	<ol style="list-style-type: none"> 1. Разрежьте продукты на мелкие кусочки. 2. Продолжайте жарить и постоянно проверяйте процесс приготовления. 3. Уменьшить температуру масла, чтобы продукты полностью обжарились.
Из масла выходит дым или появляется пена	<ol style="list-style-type: none"> 1. Масло много раз было использовано. 	<ol style="list-style-type: none"> 1. Оставьте, чтобы масло полностью остыло, и замените его новым маслом.

ОХРАНА ОКРУЖАЮЩЕЙ СРЕДЫ, УТИЛИЗАЦИЯ



Вы можете помочь в охране окружающей среды! Пожалуйста, соблюдайте местные нормы: передавайте неработающее электрическое оборудование в соответствующие центры утилизации электронных и электрических отходов.

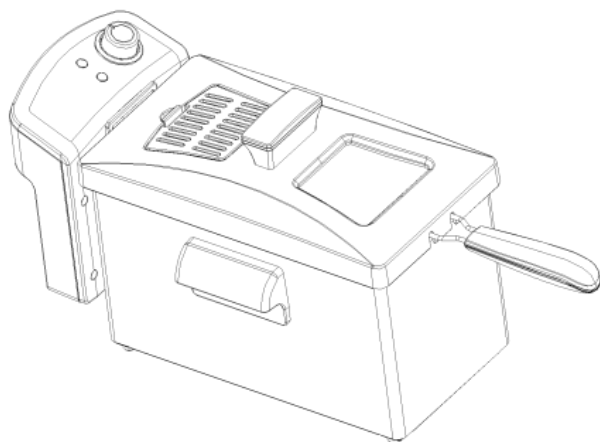


VOX
ELECTRONICS

SRB

KORISNIČKO UPUTSTVO

FT - 5410



Pažljivo pročitajte ovo uputstvo pre korišćenja i sačuvajte ga za kasniju upotrebu.

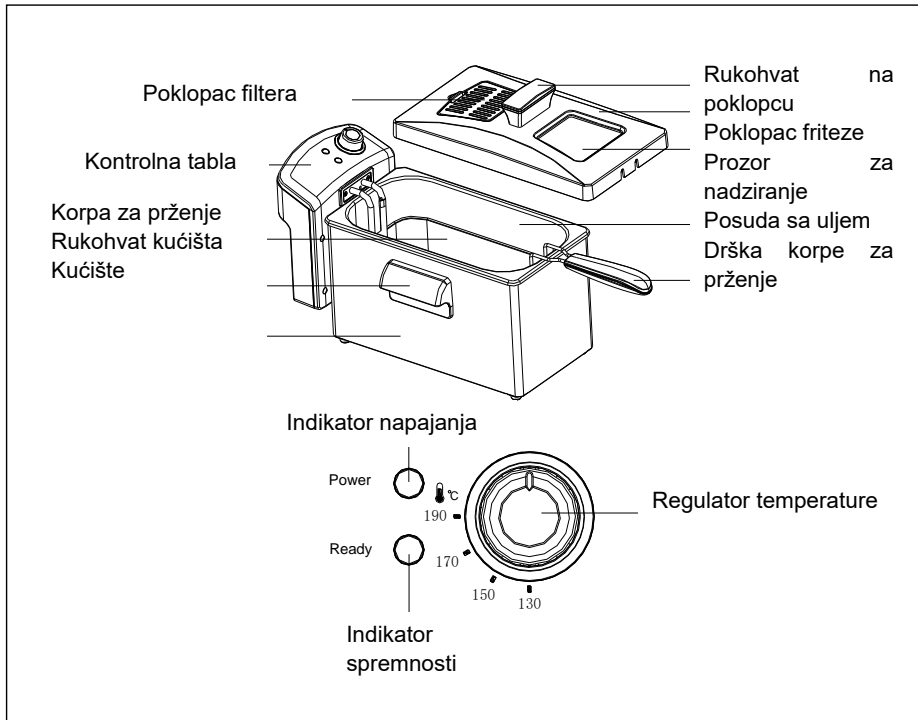
VAŽNA BEZBEDONOSNA UPUTSTVA

Prilikom korišćenja električnih uređaja, neophodno je ispratiti osnovne mere bezbednosti, uključujući i sledeće:

1. Pročitajte sva uputstva.
2. Ne dodirujte vrelu površinu. Koristite drške i rukohvate.
3. Da bi se zaštitili od strujnog udara, ne potapajte kabl, utikače ili kućište u vodu ili drugu tečnost.
4. Neophodan je budan nadzor kada uređaj koriste deca ili se koristi u blizini dece.
5. Kada se ne koristi i pre čišćenja, izvucite kabl iz napajanja. Pre bilo kakvog skidanja ili montiranja delova, i pre čišćenja, morate pustiti uređaj da se ohladi.
6. Ne stavljajte uređaj na meku radnu površinu ili sto pokriven stolnjakom, vodite računa da uređaj koristite na tvrdj radnoj površini.
7. Nije dozvoljeno korišćenje uređaja ukoliko je došlo do oštećenja kabla ili utikača ili poremećaja u radu uređaja, ili je na bilo koji način uređaj oštećen. Odnosite uređaj u najbliži servis na pregled, popravku ili podešavanje.
8. Upotreba dodatka koje nije preporučio proizvođač može prouzrokovati povrede.
9. Kabl za napajanje ne sme se ostaviti da visi preko ivice stola ili radne površine, ili da dodiruje vrole površine.
10. Nemojte koristiti ovaj uređaj kada mu nedostaje rezervoar za ulje, ulje ili bilo koji drugi materijal, ili kada nema dovoljno ulja.
11. Ne stavljajte uređaj na ili blizu zagrejane gasne ili električne peći ili u zagrejanu rernu.
12. Neophodan je maksimalan oprez kada se pomera friteza koja sadrži vrelu ulje.
13. Vodite računa da su drške adekvatno pričvršćene na korpu i zaključane. Pročitajte detaljna uputstva o sklapanju uređaja.
14. Pre upotrebe, uvek vodite računa da je rezervoar za ulje pravilno postavljen.
15. Nikada ne povežite fritezu sa izvorom električnog napajanja, a da prethodno ne stavite ulje u rezervoar sa uljem.

16. Ulje u rezervoaru sa uljem je još uvek vrelo kada se uređaj isključi. Nikada ne pokušavajte da pomerite fritezu dok se potpuno ne ohladi, podignite rezervoar za ulje koristeći drške.
17. Iako se odvojivi rezervoar za ulje može kompletno potopiti u vodu i očistiti, pre naredne upotrebe mora biti potpuno suv da bi se izbegao strujni udar.
18. Nikada ne prepunjujte fritezu uljem. Napunite samo između maksimalnog i minimalnog nivoa kao što je navedeno unutar rezervoara sa uljem.
19. Nemojte dodavati hranu sa kristalima leda ili hranu koja je vlažna vreloom ulju.
20. Ovaj uređaj nije namenjen za upotrebu od strane osoba (uključujući decu) sa smanjenim fizičkim, senzornim ili mentalnim sposobnostima, kao ni od strane osoba sa nedovoljnim iskustvom i znanjem, osim ako im nije dodeljen nadzor ili instrukcije koje se tiču upotrebe uređaja od strane osobe odgovorne za njihovu bezbednost.
21. Deca moraju biti pod nadzorom da se ne bi igrala sa uređajem.
22. Nakon završetka prženja, uvek podignite korpu i sačekajte nekoliko sekundi da se smanji pritisak pare.
23. Ne koristite uređaj za bilo koju vrstu upotrebe osim one za koju je namenjen.
24. Ne koristite uređaj napolju.
25. Čuvajte uređaj unutra da biste sprečili kvar električnih delova.
26. **UPOZORENJE:** Ozbiljne opekotine od ulja mogu nastati kada se friteza povuče sa radne površine. Vodite računa da kabl za napajanje ne visi preko ivice radne površine gde ga mogu dohvatiti deca ili gde se može upetljati sa korisnikom.
27. Uređaj nije namenjen za upotrebu preko daljinskog tajmera ili odvojenog sistema daljinskog upravljanja.
28. Ovaj uređaj namenjen je za upotrebu u domaćinstvu, odnosno za slične namene, kao što su:
 - Kuhinjske prostorije u prodavnicama, kancelarijama i drugim radnim okruženjima;
 - Seoska domaćinstva;
 - Od strane gostiju u hotelima, motelima i sličnim smeštajnim objektima;
 - U objektima za izdavanje na bazi noćenja sa doručkom.
29. Sačuvajte ovo uputstvo.

OPIS PROIZVODA



KONTROLNA TABLA

Regulator temperature

Regulator temperature uključuje fritezu i podešava željenu temperaturu za prženje.

Indikator napajanja

Lampica indikatora napajanja svetli kada je friteza uključena.

Indikator spremnosti

Lampica indikatora spremnosti će se uključiti i isključiti nekoliko puta tokom prženja. Ovo pokazuje da se temperatura održava termostatički.

PRVA UPOTREBA UREĐAJA

1. Uklonite kompletno pakovanje, etikete i/ili nalepnice sa friteze.

UPOZORENJE: Ne uključujte fritezu kada kontrolna tabla nije instalirana u kućištu friteze. Uključite fritezu samo kada je uređaj potpuno sastavljen, a grejni element uronjen u ulje.

UPOZORENJE: Ne potapajte kontrolnu tablu, kabl ili utikač u vodu.

UPOZORENJE: Ovaj uređaj se ne sme koristiti za zagrevanje vode.

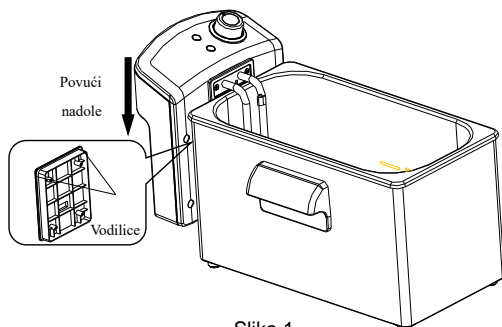
2. Podignite kontrolnu tablu sa grejnim elementom iz ležišta podižući ih jednom rukom odozdo dok drugom rukom držite kućište friteze.
3. Uklonite rezervoar sa uljem iz tela friteze.
4. Operite rezervoar sa uljem i korpu za prženje vrućom vodom, neabrazivnim sunderom i sredstvom za pranje ili nekim drugim neotrovnim deterdžentom. Dobro osušite pre upotrebe.

NAPOMENA: Rezervoar za ulje, korpa za prženje, drška korpe za prženje, stalni filter i poklopac mogu se prati u toploj vodi sa sapunicom.

UPOZORENJE: Ne potapajte kontrolnu tablu, kabl za napajanje, ili utikače u tečnost bilo koje vrste.

SKLAPANJE FRITIZE

1. Stavite posudu sa uljem u kućište friteze.
2. Postavite ivice vodilice na kontrolnoj tabli u vodilice montirane na metalnom kućištu (Sl.1).

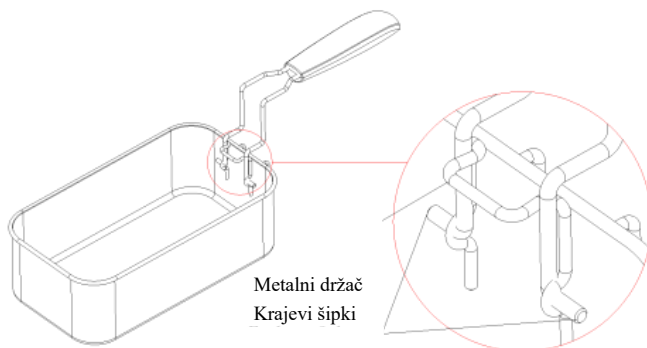


Slika 1

3. Gurnite ivice vodilica do kraja.

NAPOMENA: Friteza ima automatski sigurnosni prekidač kako bi se osiguralo da uređaj neće raditi ako se kontrolna ploča nije čvrsto umetnula u vodilice na kućištu friteze.

4. Pričvrstite dršku friteze na korpu friteze tako što ćete stisnuti ručke drške istovremeno i umetnuti ih u metalni nosač na korpi. Uverite se da je kraj šipki umetnut u rupe za držače. Podignite dršku nagore da bude u zaključanoj poziciji (Sl. 2).



Sl.2

KORIŠĆENJE FRITIZE

UPOZORENJE: Nikada ne uključujte fritezu pre punjenja posude sa uljem. Uvek se uverite da je kontrolna tabla učvršćena u kućište friteze i da je grejni element unutar ulja u rezervoaru za ulje pre uključivanja.

1. Sipajte ulje za kuvanje u rezervoar za ulje, vodeći računa da se nalazi između "Min" i "Max" linija za punjenje u rezervoaru za ulje. **Nemojte ga nedovoljno napuniti ili prepuniti.** Nivo ulja mora da se održava između minimalnog (2.5 litara) i maksimalnog nivoa (3.5 litara) označenog unutar rezervoara za ulje.

2. Možete koristiti mešano biljno ulje, kukuruzno ulje ili ulje kanole. **Nemojte koristiti maslinovo ulje, margarin, mast ili sok od pečenja.** Nikada ne mešajte staro i novo ulje ili

druga ulja i masti.

3. Ako želite da koristite čvrstu masnoću, prvo je morate otopiti, detalji se nalaze u odeljku "**SAVETI ZA UPOTREBU ČVRSTE MASTI**".

4. Postavite poklopac na fritezu.

5. Uključite utikač u električnu utičnicu na zidu. Indikator napajanja će zasvetleti.

PAŽNJA: Nikada ne uključujte kontrolnu tablu kada nije montirana na telo friteze. Ne potapajte kontrolnu tablu, kabl za napajanje ili utikač u vodu ili neku drugu tečnost.

6. Podesite regulator temperature na željenu temperaturu.

7. Indikator spremnosti će se upaliti kada se dostigne željena temperatura.

8. Ne punitite korpu za prženje kada je uronjena u vrelo ulje. Stavite hranu u korpu za prženje.

Nemojte ispuštati hranu u vrelo ulje za kuvanje. Nemojte je prepuniti, maksimalno opterećenje je 250g. Za optimalne rezultate i kraće vreme prženja, pržite manje količine.

UPOZORENJE: Kada pržite smrznutu hranu, uklonite korpu za prženje iz friteze pre punjenja jer će ulje prskati na sve strane i izazvati opekotine.

PAŽNJA: Kada pržite smrznutu hranu kao što je pomfrit, ne treba prelaziti "max" liniju na korpi za prženje. Očistite led sa smrznute hrane pre prženja. Ukoliko to ne učinite može doći do prelivanja friteze kada se hrana stavi u ulje.

9. Korpu za prženje pažljivo uronite u rezervoar sa uljem da ulje ne bi prskalo na sve strane.

10. Zamenite poklopac friteze na fritezi tokom prženja.

11. Kada je vreme pripreme gotovo, okrenite regulator temperature u "OFF" poziciju i izvadite utikač iz električne utičnice na zidu.

12. Pažljivo podižite poklopac friteze dižući ga dalje od vas da bi omogućili pari da izađe pre nego što potpuno uklonite poklopac. Držite lice dalje od vrha uređaja da bi izbegli opekotine od pare koja izlazi.

13. Podignite korpu za prženje držeći je za dršku i stavite je nad posudom za ulje da bi se ulje ocedilo.

14. Kad se ulje iscedi iz korpe za prženje, korpu možete podići i služiti hranu u njoj ili je servirati u posudi.

UPOZORENJE: Uvek pustite da se friteza potpuno ohladi (oko 2 sata) pre čišćenja ili odlaganja. Nikada ne prenosite ili ne pomerajte uređaj dok je vrelo ulje u njemu.

PAŽNJA: Metalne površine friteze postaju vrela tokom upotrebe. Ne dodirujte strane uređaja dok je u upotrebi.

SAVETI ZA KORIŠĆENJE FRITIZE

1. Uvek koristite korpu za prženje da bi ispržili hranu.
2. Uvek zatvarajte poklopac tokom prženja. Pažljivo uklonite poklopac.
3. Kada je ulje unapred zagrejano, lampica indikatora spremnosti će se uključiti pokazujući da je željena temperatura dostignuta.
4. Lagano spuštajte korpu za prženje u vrelo ulje. Ako prebrzo spustite korpu za prženje, ulje se može preliti i prskati.
5. Normalno je da para izlazi sa strane poklopca tokom prženja.
6. Izbegavajte da stojite suviše blizu friteze dok radi.
7. Ne mešajte nova i stara ulja.
8. Redovno menjajte ulje. Generalno, ulje će brzo biti užeglo kada se prži hrana koja sadrži dosta proteina (živina, meso i riba). Kada se ulje koristi za prženje krompira i filtrira se nakon svake upotrebe, može se koristiti 8 do 10 puta, ali ne koristite isto ulje duže od 6 meseci.
9. Uvek zamenite ulje čim počne da se stvara pena tokom zagrevanja, ili kada boja postane tamnija, ili kada ima užegli miris ili ukus, ili postane sirupasto.
10. Uverite se da je hrana koja se priprema suva. Uklonite led sa zamrznute hrane pre prženja.
11. Da bi se podjednako ispržili, delovi hrane moraju biti iste veličine i debljine. Za deblje komade potrebno je više vremena.
12. Navedena vremena kuvanja odnose se samo na približno vreme potrebno da se isprži jedna korpa do pola puna. Tačno vreme može se razlikovati zavisno od konkretne količine, ličnih preferenci pripremanja hrane, veličine i debljine komada, itd.

PODEŠAVANJA TEMPERATURE

Generalno, koristite niža podešavanja za delikatnu hranu (povrće, riba) i viša podešavanja za smrznutu hranu, pomfrit i piletinu.

HRANA	VREME PRIPREME	TEMPERATURA
Pomfrit	6-9 minuta	190°C
Ribljí fileti	3-5 minuta	150°C
Pileći prsti	6-8 minuta	170°C
Komadi piletine	13-20 minuta	170°C
Pržene tikvice	3 minuta	150°C
Pržene pečurke	3 minuta	150°C
Kolutovi crnog luka	3 minuta	150°C
Krofne	3-5 minuta	170°C
Pečene jabuke	4 minuta	170°C
Škampí	4-6 minuta	150°C

SAVETI ZA KORIŠĆENJE ČVRSTE MASTI

UPOZORENJE: Ne stavljajte čvrstu mast u rezervoar sa uljem ili u korpu za prženje.

1. Ako koristite čvrstu biljnu masnoću, prvo je otopite u odvojenoj posudi, a onda veoma pažljivo sipajte otoplenu masnoću u rezervoar sa uljem.
2. Prethodno korišćenu čvrstu biljnu masnoću, koja se zgrušala i stvrdnula u rezervoaru za ulje, treba ukloniti iz rezervoara za ulje i otopiti u odvojenom tiganju ili šerpi pre ponovne upotrebe.

UPOZORENJE: Ako pokušate da rastopite stvrdnutu masnoću u rezervoaru za ulje, postoji opasnost da naglo rastopljena masnoća prsne odozdo kroz čvrsti gornji sloj masti.

Koristite samo sledeću proceduru

Kada topite čvrstu masnoću u fritezi:

1. Proverite da li je mast zagrejana na sobnoj temperaturi. Ako je mast hladna, postoji veći rizik od prskanja.
2. Koristeći viljušku, pažljivo napravite rupe u masti.
3. Proverite da je poklopac **uvek** čvrsto zatvoren dok se masnoća topi.

4. Podesite regulator temperature na 150°C.

VAŽNO: Indikator napajanja zasvetleće kada se uključi u električnu utičnicu na zidu. Indikator spremnosti zasvetleće kada mast ili ulje u rezervoaru dostigne izabranu temperaturu.

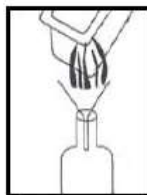
FILTRIRANJE & ZAMENA ULJA

PAŽNJA: Uverite se da je friteza iskopčana iz električne utičnice i da je ulje ohlađeno (oko 2 sata) pre zamene ulja, ili čišćenja i odlaganja friteze.

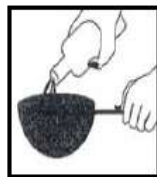
NAPOMENA: Ulje ne treba menjati nakon svake upotrebe. Generalno, ulje će brzo biti neupotrebljivo kada se prži hrana koja sadrži dosta proteina (živinsko meso, meso i riba). Kada se ulje koristi za prženje krompira i filtrira se nakon svake upotrebe, može se koristiti 8 do 10 puta. Međutim, nemojte koristiti isto ulje duže od 6 meseci.

Filtriranje ulja:

1. Uverite se da je ulje ohlađeno (približno 2 sata) i onda ispraznite ulje iz rezervoara za ulje u drugu posudu ili bocu. (Sl.3).
2. Operite i osušite rezervoar za ulje i korpu za prženje.
3. Napunite rezervoar za ulje uljem tako da ulijete ulje kroz žičanu cediljku ili papirni filter. (Sl. 4)



Sl.3



Sl.4

UPUTSTVA ZA ČIŠĆENJE

Da biste koristili vaš uređaj tokom mnogo godina, očistite fritezu nakon svake upotrebe.

UPOZORENJE: Uvek izvucite utikač iz električne utičnice pre čišćenja. Pustite da se friteza i ulje potpuno ohlade (oko 2 sata) pre čišćenja.

1. Nikada ne potapajte kontrolnu tablu, kabl ili utikač u vodu ili neku drugu tečnost.
2. Ne stavljajte kontrolnu tablu, kabl ili utikač u mašinu za pranje sudova.
3. Kontrolnu tablu obrišite samo vlažnom krpom.
4. Rezervoar za ulje i korpa za prženje mogu se prati na gornjoj polici mašine za pranje sudova.

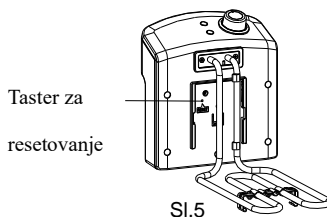
5. Poklopac friteze može se prati u toploj vodi sa sapunom. Ne stavljajte telo friteze u tečnost ili mašinu za pranje sudova.
6. Da biste očistili trajni filter, izvadite ga iz poklopca i operite ga vrućom vodom sa sapunom. Isperite i dobro osušite pre nego što ga ponovo stavite u poklopac friteze. Zamenite poklopac filtera.
OPREZ: Ne perite trajni filter u mašini za pranje sudova.

FUNKCIJA RESETOVANJA

Vaša friteza ima funkciju resetovanja. Ako iz nekog razloga friteza prestane da se zagreva, mogući razlog je da se taster za resetovanje zaglavio.

Resetovanje friteze:

1. Isključite aparat iz električne utičnice u zidu.
2. Pustite da se uređaj i ulje u rezervoaru potpuno ohlade.
3. Nakon što se uređaj potpuno ohladio, podignite kontrolnu tablu i koristeći vrh hemijske ili drvene olovke, gurnite dugme za resetovanje termostata koje se nalazi unutar kontrolne table (Sl. 5)
4. Ponovo pričvrstite kontrolnu tablu na kućište friteze i nastavite prženje.

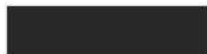


REŠAVANJE PROBLEMA

PROBLEM	MOGUĆI UZROCI	REŠENJE
Friteza ne radi	<ol style="list-style-type: none"> 1. Kontrolna tabla nije pravilno instalirana. 2. Utikač nije povezan sa električnom zidnom utičnicom. 3. Električna utičnica nije pod naponom. 4. Prekidač za resetovanje se zaglavio. 	<ol style="list-style-type: none"> 1. Ponovo pričvrstite kontrolnu tablu. 2. Uključite utikač u električnu zidnu utičnicu. 3. Resetujte sigurnosi prekidač ili zamenite osigurač. 4. Isključite uređaj i pustite da se potpuno ohladi. Uklonite kontrolnu tablu i pritisnite taster za resetovanje termostata.
Ulje se prosipa iz friteze	<ol style="list-style-type: none"> 1. Previše ulja u rezervoaru za ulje. 2. Korpa sa hranom je prepunjena. 3. Ulje je prečesto korišćeno i peni. 	<ol style="list-style-type: none"> 1. Isključite fritezu. Neka se ulje potpuno ohladi. Uklonite višak ulja. 2. Uklonite višak hrane iz korpe za hranu. 3. Isključite fritezu. Neka se ulje potpuno ohladi. Napunite rezervoar sa uljem novim uljem.
Hrana je gnjecava ili masna	<ol style="list-style-type: none"> 1. Ulje nije dovoljno zagrejano. 2. Korpa za hranu je prepunjena. 	<ol style="list-style-type: none"> 1. Podesite dugme za kontrolu temperature na odgovarajuću temperaturu da bi hrana bila ispržena. 2. Uklonite višak hrane iz korpe za hranu.
Hrana nije potpuno pripremljena	<ol style="list-style-type: none"> 1. Preveliki komadi hrane. 2. Prekratko vreme spremanja. 	<ol style="list-style-type: none"> 1. Isecite hranu na manje komade. 2. Nastavite prženje i kontinuirano proveravajte proces pripremanja

	3. Temperatura ulja previsoka.	hrane. 3. Smanjite temperaturu ulja da bi hrana bila potpuno pržena.
Ulje za kuvanje ispušta penu ili dim	1. Ulje je prečesto korišćeno.	1. Pustite da se ulje potpuno ohladi i zamenite novim uljem.

EKOLOŠKO ODLAGANJE



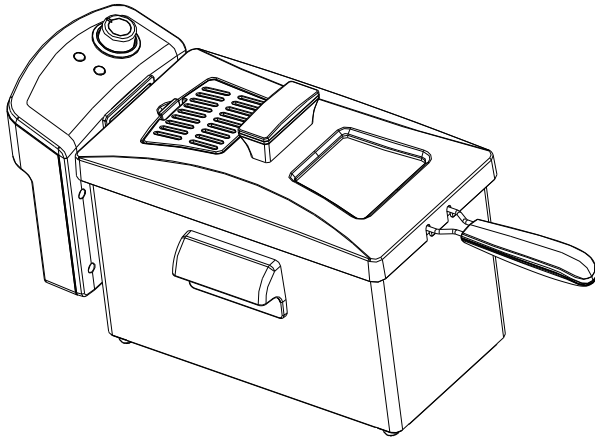
Dajte svoj doprinos očuvanju životne sredine!
Poštujte lokalne propise: odnesite električne uređaje koji se više ne koriste odgovarajućem centru za prihvat elektronskog otpada.



VOX
ELECTRONICS

ESP

MANUAL DE INSTRUCCIONES
FT - 5410



Por favor, lea este folleto detenidamente antes de usarlo y guárdelo para futuras referencias.

SALVAGUARDIAS IMPORTANTES

Al usar aparatos eléctricos, siempre se deben seguir las precauciones básicas de seguridad, incluidas las siguientes:

1. Lea todas las instrucciones.
2. No toque la superficie caliente. Utilice asas o pomos.
3. Para protegerse contra descargas eléctricas, no sumerja el cable, los enchufes o la carcasa en agua u otro líquido.
4. Es necesaria una estrecha supervisión cuando se utiliza cualquier aparato por o cerca de los niños.
5. Desenchúfelo del toma de corriente cuando no esté en uso y antes de limpiarlo. Permita que se enfríe antes de poner o quitar partes, y antes de limpiar el aparato.
6. No coloque el aparato sobre una superficie de trabajo blanda ni sobre un escritorio cubierto con mantel, asegúrese de que el aparato esté funcionando sobre una superficie rígida.
7. No opere ningún aparato con un cable o enchufe dañado o después de que el aparato no haya funcionado correctamente o se haya dañado de alguna manera. Devuelva el aparato al centro de servicio autorizado más cercano para que lo examinen, reparen o ajusten.
8. El uso de accesorios no recomendados por el fabricante del aparato puede causar lesiones.
9. No deje que el cable cuelgue del borde de la mesa o mostrador, ni que toque superficies calientes.
10. No use este aparato cuando falte el depósito de aceite, el aceite y otros materiales, o el nivel del aceite no es suficiente.
11. No lo coloque sobre o cerca de gas o de un quemador eléctrico caliente, o sobre un horno caliente.
12. Se debe tener mucho cuidado al mover la freidora que contiene aceite caliente.
13. Asegúrese de que los mangos estén correctamente ensamblados en la cesta y que estén bloqueados en su lugar. Ver las instrucciones detalladas de montaje.
14. Antes de usar, asegúrese siempre de que el depósito de aceite esté colocado

correctamente.

15. Nunca conecte la freidora al suministro de electricidad sin antes colocar aceite en el depósito de aceite.

16. El aceite en el depósito de aceite estará aún caliente después de que se apague. Nunca intente mover la freidora hasta que se haya enfriado completamente, levante el depósito de aceite con las asas.

17. Aunque el depósito de aceite desmontable se puede sumergir completamente en agua y limpiar, debe secarse completamente antes de siguiente uso para evitar descargas eléctricas.

18. Nunca llene en exceso la freidora con aceite. Rellene solo entre niveles mínimo y máximo, como se indica dentro del depósito de aceite.

19. No agregue alimentos con cristales de hielo o si está húmedo al aceite caliente.

20. Este dispositivo no está destinado a ser utilizado por personas (incluidos niños) con capacidades físicas, sensoriales o mentales reducidas, o por falta de experiencia y conocimiento, a menos que hayan recibido supervisión o instrucciones sobre el uso de los dispositivos por parte de una persona responsable de su uso.

21. Los niños deben ser supervisados para asegurarse de que no jueguen con el aparato.

22. Al terminar de freír, siempre levante la canasta y espere unos segundos para permitir que la presión del vapor disminuya.

23. No use el aparato para otro uso que no sea el indicado.

24. No usar al aire libre.

25. Almacene el aparato en interiores para evitar fallas en los componentes electrónicos.

26. **ADVERTENCIA:** Se pueden producir quemaduras graves de aceite caliente si se extrae una freidora de una encimera. No permita que el cable de alimentación cuelgue del borde de un mostrador donde los niños puedan agarrarlo o enredarlo con el usuario.

27. El aparato no está diseñado para ser operado por medio de un temporizador externo o un sistema de control remoto separado.

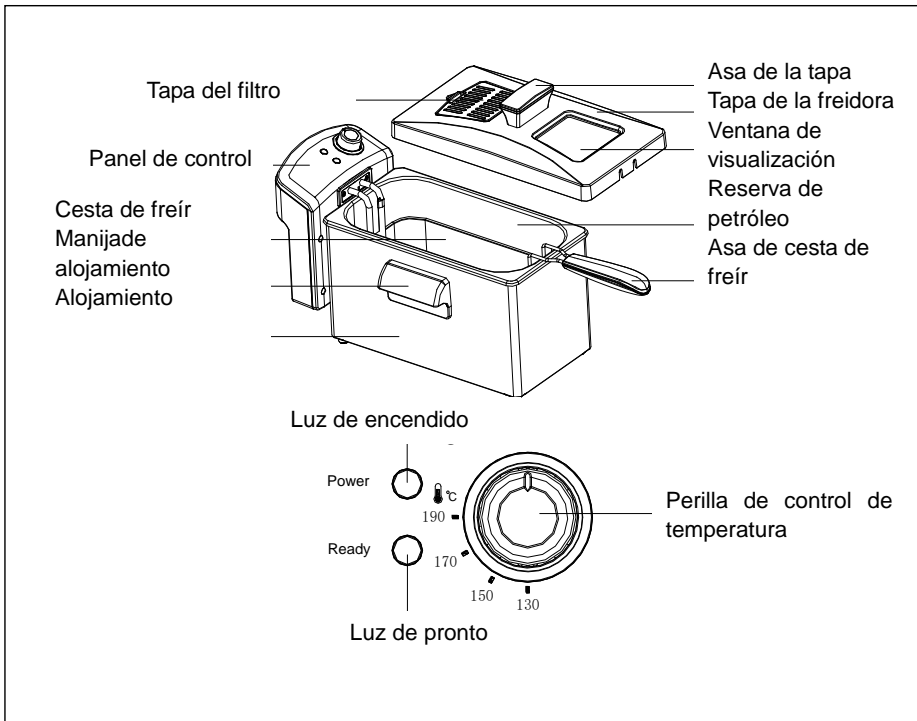
28. Este aparato está diseñado para ser usado en aplicaciones domésticas y similares, tales como:

- Personal de áreas de cocina en tiendas, oficinas y otros entornos de trabajo;

- Casas rurales;
- Por clientes en hoteles, moteles y otros entornos de tipo residencial;
- Entornos tipo “Bed and breakfast”.

29. Mantenga y conserve estas instrucciones.

DESCRIPCIÓN DEL PRODUCTO



PANEL DE CONTROL

La perilla de control de temperatura

La perilla de control de temperatura enciende la freidora y ajusta la temperatura deseada para freír.

La luz de encendido

La luz de encendido se ilumina cuando la freidora está encendida.

La luz de pronto

La luz de pronto se encenderá y apagará varias veces durante la fritura. Esto indica que la temperatura se mantiene termostáticamente.

USAR POR LA PRIMERA VEZ

1. Retire todos los materiales de embalaje, etiquetas y / o calcomanías de la freidora.

ADVERTENCIA: No enchufe la freidora cuando el panel de control no esté instalado en el cuerpo de la freidora. Solo enchufe la freidora cuando la unidad esté completamente ensamblada y el elemento calefactor esté sumergido en aceite.

ADVERTENCIA: No sumerja el panel de control, el cable o el enchufe en agua.

ADVERTENCIA: Esta unidad no debe utilizarse para hervir agua.

2. Levante el panel de control con el elemento calefactor fuera de sus ranuras tirando hacia arriba desde la parte inferior con una mano mientras sostiene el cuerpo de la freidora con la otra mano.

3. Retire el depósito de aceite del cuerpo de la freidora.

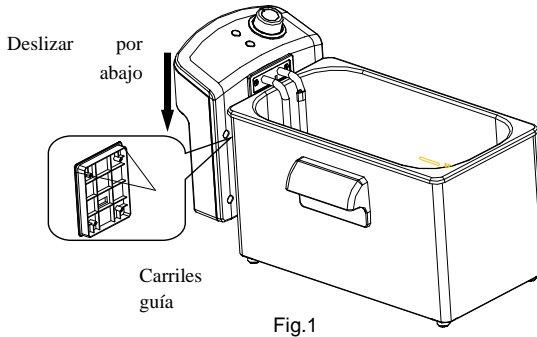
4. Lave el depósito de aceite y la cesta para freír con agua caliente, una esponja no abrasiva y un líquido para lavar platos u otro detergente no venenoso. Sequela bien antes de usarla.

NOTA: El depósito de aceite, la cesta de freír, el asa de la cesta de freír, el filtro permanente y la tapa se pueden lavar con agua jabonosa tibia.

ADVERTENCIA: No sumerja el panel de control, el cable de alimentación ni los enchufes en líquidos de ningún tipo.

MONTAJE DE FREIDORA PROFUNDA

1. Coloque el depósito de aceite en la carcasa de la freidora.
2. Inserte los bordes de guía en el panel de control en los rieles de guía montados en el cuerpo de metal (Fig.1).



3. Deslice los bordes de la guía hacia abajo tanto como pueda.

NOTA: La freidora tiene un interruptor de seguridad automático para garantizar que la unidad no funcione a menos que el panel de control se haya insertado firmemente en los rieles de guía en el cuerpo de la freidora.

4. Acople la asa de la cesta a la cesta de la freidora apretando las barras de la manija e insertándolas en el soporte de metal de la cesta. Asegúrese de que el extremo de las barras esté insertado en los orificios del soporte. Levante la manija para trabarla en su lugar (Fig.2)

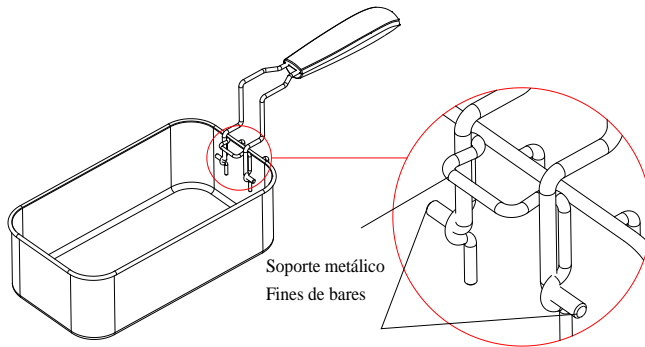


Fig.2

USAR LA FREIDORA PROFUNDA

ADVERTENCIA: Nunca enchufe la freidora antes de llenar el tanque de aceite con el aceite. Asegúrese siempre de que el panel de control esté en su lugar en la caja de la freidora y que el elemento de calentamiento esté dentro del aceite en el depósito de aceite antes de enchufarlo.

1. Vierta el aceite de cocina en el tanque de aceite asegurándose de que esté entre las líneas de llenado "Mín" y "Máx" en el recipiente de aceite. No llene ni llene en exceso. Los niveles de aceite deben mantenerse entre el mínimo (2.5 litros) y los niveles máximos (3.5 litros) marcados dentro del contenedor de aceite.
2. Puede usar aceite vegetal mezclado, aceite de maíz o aceite de canola. No utilice aceite de oliva, margarina, mantequilla o goteos. Nunca mezcle aceite viejo y nuevo o aceites y grasas diferentes.
3. Si desea usar grasa sólida, primero debe fundirla, los detalles se encuentran a la sección "CONSEJOS PARA USAR GRASA SÓLIDA".
4. Coloque la tapa en la freidora.
5. Inserte el enchufe en la toma de corriente eléctrica. La luz de encendido se iluminará.

PRECAUCIÓN: nunca enchufe el panel de control cuando no esté montado en el cuerpo de la freidora. No sumerja el panel de control, el cable de alimentación o el enchufe en

agua o cualquier otro líquido.

6. Gire la perilla de control de temperatura a la temperatura deseada.

7. La luz de pronto se iluminará cuando se alcance la temperatura establecida.

8. No llene la cesta de freír cuando esté sumergida en el aceite caliente. Coloque la comida en la cesta de freír. No deje caer la comida en el aceite de cocina caliente. No lo llene en exceso y la carga máxima es de 250 g. Para obtener resultados óptimos y un tiempo de fritura más corto, freír cantidades más pequeñas.

ADVERTENCIA: Al freír alimentos congelados, retire la cesta de freír de antes de llenarla, ya que el aceite podría salpicar y causar quemaduras.

PRECAUCIÓN: Al freír alimentos congelados, como papas fritas, no debe exceder la línea de llenado "**Max**" en la cesta de la freidora. Limpie el hielo de los alimentos congelados antes de freírlos. De lo contrario, la freidora puede desbordarse cuando los alimentos se colocan en el aceite.

9. Sumerja la cesta para freír en el tanque de aceite con cuidado para que no salpique el aceite.

10. Vuelva a colocar la tapa de la freidora en la freidora mientras está friendo.

11. Cuando finalice el período de cocción, gire el control de temperatura a la posición "**OFF**" (apagado) y retire el enchufe de la toma de corriente eléctrica.

12. Retire con cuidado la tapa de la freidora que se levanta para permitir que el vapor se escape antes de quitar la tapa por completo. Mantenga su cara alejada de la parte superior del aparato para evitar quemaduras causadas por el escape de vapor.

13. Levante la cesta de freír por el asa y colóquela en el recipiente de aceite para permitir que el aceite se drene.

14. Una vez que el aceite se haya drenado de la canasta para freír, la canasta puede ser levantada y la comida servida o colocada en un plato.

ADVERTENCIA: Siempre deje que la freidora se enfríe completamente (aproximadamente 2 horas) antes de limpiarla. Nunca transporte o mueva el aparato con aceite caliente en el interior.

PRECAUCIÓN: Las superficies metálicas de la freidora se calientan durante el uso. No toque los lados del aparato mientras esté en uso.

CONSEJOS PARA FREIR

1. Utilice siempre la cesta para freír los alimentos.
2. Cierre siempre la tapa durante la fritura. Vuelva a colocar la tapa con cuidado.
3. Cuando el aceite está precalentado, la luz indicadora de "pronto" se encenderá indicando que se alcanzó la temperatura deseada.
4. Baje lentamente la cesta de freír en el aceite caliente. Bajar la cesta de freír demasiado rápido puede causar que el aceite se desborde y salpique.
5. Es normal que el vapor escape a través de los lados de la tapa mientras se fríe.
6. Evite pararse demasiado cerca de la freidora mientras está funcionando.
7. No mezcle aceite nuevo y viejo juntos.
8. Reemplace el aceite regularmente. En general, el aceite se contaminará rápidamente cuando se fríen alimentos que contienen muchas proteínas (como las aves, la carne y el pescado). Cuando se usa aceite principalmente para freír papas y se filtra después de cada uso, se puede usar de 8 a 10 veces, pero no use el mismo aceite durante más de 6 meses.
9. Siempre reemplace todo el aceite tan pronto como empiece a formar espuma cuando se caliente o cuando el color se vuelva oscuro o cuando tenga un olor o sabor rancio o se convierta en almibarado.
10. Asegúrese de que la comida a freír esté seca. Retire el hielo suelto de los alimentos congelados antes de freír.
11. Para cocinar uniformemente, las piezas deben ser del mismo tamaño y grosor. Las piezas más gruesas tardarán más en cocinarse.
12. Los siguientes tiempos de cocción reflejan solo el tiempo aproximado necesario para freír una canasta 1/2 completa. El tiempo exacto puede ser diferente según la cantidad real, las preferencias personales de cocción, el tamaño y el grosor de las piezas, etc.

AJUSTES DE TEMPERATURA

En general, use configuraciones más bajas para alimentos delicados (verduras, pescado) y configuraciones más altas para alimentos congelados, papas fritas y pollo.

COMIDA	TIEMPO DE COCINAR	TEMPERATURA
Papas fritas	6-9 minutos	190°C
Filetes de pescado	3-5 minutos	150°C
Dedos de pollo	6-8 minutos	170°C
Pedazos de pollo	13-20 minutos	170°C
Calabacín frito	3 minutos	150°C
Champiñones fritos	3 minutos	150°C
Anillos de cebolla	3 minutos	150°C
Rosquillas	3-5 minutos	170°C
Beignets de manzana	4 minutos	170°C
Camarones	4-6 minutos	150°C

CONSEJOS PARA USAR GRASA SÓLIDA:

ADVERTENCIA: No coloque manteca sólida en el depósito de aceite ni en la cesta para freír.

1. Si usa una manteca vegetal sólida, derrítala primero en un recipiente separado y luego vierta con mucho cuidado la grasa derretida en el depósito de aceite.
2. El acortamiento vegetal sólido, utilizado anteriormente que se haya cuajado y endurecido en el depósito de aceite, debe retirarse del depósito de aceite y fundirse en un recipiente por separado antes de volver a utilizarlo.

ADVERTENCIA: Si intenta derretir la grasa solidificada en el depósito de aceite, existe el riesgo de que la grasa fundida caliente salpique a través de la capa superior de grasa sólida.

Use solo el procedimiento siguiente

Al derretir grasas sólidas en su freidora:

1. Asegúrese de que la grasa esté a temperatura ambiental. Si es está fría, hay un mayor riesgo de salpicaduras.
2. Usando un tenedor, haga cuidadosamente algunos agujeros en la grasa.
3. Asegúrese de que la tapa esté siempre bien cerrada mientras la grasa se está derritiendo.
4. Ajuste la perilla de control de temperatura a 150.

IMPORTANTE: la luz de encendido se iluminará una vez que se enchufa la toma de corriente. La luz de pronto se iluminará cuando el aceite haya alcanzado la temperatura seleccionada.

FILTRAR Y CAMBIAR EL ACEITE

ATENCIÓN: Asegúrese de que la freidora esté desenchufada de la toma eléctrica y que el aceite se haya enfriado (aproximadamente 2 horas) antes de cambiar el aceite, o de limpiar la freidora.

NOTA: No es necesario cambiar el aceite después de cada uso. En general, el aceite se contaminará bastante rápidamente cuando se fríen alimentos que contienen mucha proteína (como aves, carne o pescado). Cuando el aceite se usa principalmente para freír las papas y se filtra después de cada uso, se puede usar desde 8 hasta 10 veces. Sin embargo, no use el mismo aceite durante más de 6 meses.

Para filtrar el aceite:

1. Asegúrese de que el aceite se haya enfriado (aproximadamente 2 horas) y luego vacíe el aceite del depósito de aceite en otro recipiente o botella. (Fig. 3)
2. Lave y seque el depósito de aceite y la cesta de freír.
3. Rellene el depósito de aceite con el aceite vertiéndolo a través de un colador de alambre o filtro de papel. (Fig. 4)

INSTRUCCIONES DE LIMPIEZA

Para asegurar muchos años de servicio desde su electrodoméstico, limpie su freidora después de cada uso.

ADVERTENCIA: retire siempre el enchufe de la toma de corriente eléctrica de la pared antes de limpiarlo. Deje que la freidora y el aceite se enfríen completamente (aproximadamente 2 horas) antes de limpiarlos.

1. Nunca sumerja el panel de control, el cable o el enchufe en agua o cualquier otro líquido.
2. No coloque el panel de control, el cable o el enchufe en el lavaplatos.
3. Limpie el panel de control solo con un paño húmedo.
4. El depósito de aceite y la cesta para freír se pueden lavar en la rejilla superior de un lavaplatos.
5. La tapa de la freidora se puede lavar con agua tibia y jabón. No ponga el cuerpo de la freidora en el líquido o en el lavaplatos.
6. Para limpiar el filtro permanente, quítelo de la tapa y lávelo con agua caliente y jabón. Enjuague y seque bien antes de volver a insertarlo en la cubierta de la freidora. Vuelva a colocar la cubierta del filtro.

PRECAUCIÓN: No limpie el filtro permanente en el lavaplatos.

ISTRUCCIONES PARA REINÍCIO

Su freidora está equipada con una función de reinicio. Si por alguna razón la freidora deja de calentar, es posible que el interruptor de reinicio se haya disparado.

Para reiniciar la freidora:

1. Desenchufe el aparato de la toma de corriente eléctrica.
2. Deje que el aparato y el aceite en el depósito de aceite se enfríen completamente.
3. Una vez que el aparato se haya enfriado por completo, levante el panel de control y, utilizando la punta de un bolígrafo o lápiz, presione el botón de reinicio del termostato que se encuentra en el interior del panel de control (Fig. 5)
4. Vuelva a ensamblar el panel de control en la carcasa de la freidora y luego podrá reanudar la fritur

SOLUCIÓN DE PROBLEMAS

PROBLEMA	CAUSA	SOLUCIÓN
La freidora no está funcionando.	<ol style="list-style-type: none"> 1. El conjunto de control no es instalado correctamente. 2. El enchufe no está conectado a la toma de corriente eléctrica. 3. La toma de corriente no está energizada. 4. El interruptor de reinicio se ha disparado. 	<ol style="list-style-type: none"> 1. Vuelva a colocar el conjunto del panel de control 2. Inserte el enchufe en la toma de corriente eléctrica. 3. Reinicie el disyuntor o reemplace el fusible. 4. Apague el aparato y déjelo enfriar completamente. Luego retire el panel de control y presione el botón de reinicio del termostato.
El aceite se está derramando de la freidora	<ol style="list-style-type: none"> 1. Demasiado aceite en el depósito de aceite. 2. La canasta de alimentos si se llena en exceso. 3. El aceite se ha usado con demasiada frecuencia y está formando espuma. 	<ol style="list-style-type: none"> 1. Apague la freidora. Deje que el aceite se enfríe completamente y retire algo del exceso de aceite. 2. Retire un poco de la comida de la canasta. 3. Apague la freidora. Deje que el aceite se enfríe completamente y rellene el depósito de aceite con aceite nuevo.
El sabor de la comida es empapado o grasiento	<ol style="list-style-type: none"> 1. El aceite no está suficientemente caliente. 2. La canasta de alimentos está sobrecargada. 	<ol style="list-style-type: none"> 1. Ajuste la perilla de control de temperatura a la temperatura adecuada para los alimentos que se fríen. 2. Retire un poco de la comida de la canasta.

Comida no está cocida completamente	1. Piezas de comida demasiado largos. 2. Tiempo de cocción demasiado corto. 3. Temperatura del aceite muy caliente.	1. Corte la comida en trozos más pequeños. 2. Continúe friendo y controle el proceso continuamente. 3. Baje la temperatura del aceite para permitir que los alimentos se cocinen completamente.
El aceite de cocina hace espuma o emite humo.	1. El aceite se ha utilizado con demasiada frecuencia.	1. Deje que el aceite se enfríe completamente y reemplácelo con aceite nuevo.

DISPOSICIÓN AMISTOSA EN EL MEDIO AMBIENTE



¡Usted puede ayudar a proteger el medio ambiente!

Recuerde respetar las normativas locales: entregue los equipos eléctricos que no funcionan a un centro de eliminación de residuos adecuado.

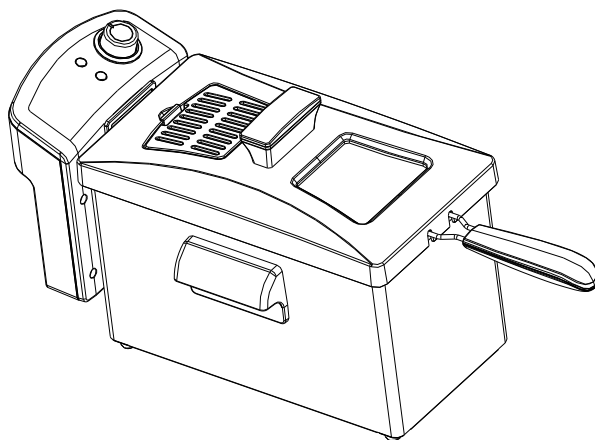




VOX
ELECTRONICS

PRT

MANUAL DE INSTRUÇÃO
FT - 5410



Leia este folheto com atenção antes de usar o aparelho e guarde-o para futuras necessidades.

CONSELHOS IMPORTANTES

Ao utilizar aparelhos eléctricos, várias precauções básicas de segurança devem ser seguidas, incluindo as seguintes:

1. Leia todas as instruções antes de usar.
2. Não toque na superfície quente. Use luvas ou pegas.
3. Para proteger contra choques eléctricos, não mergulhe o fio, a ficha ou o reservatório em água ou outros líquidos.
4. É necessária uma supervisão atenta sempre que o aparelho é utilizado por crianças ou se encontra perto delas.
5. Desligue da tomada sempre que não usar ou antes de limpar. Deixe o aparelho arrefecer antes de colocar ou retirar peças e antes de limpar.
6. Não coloque o aparelho sobre uma superfície escorregadia ou sobre um pano de mesa, verifique se o aparelho se encontra sobre uma superfície sólida.
7. Não opere o aparelho se apresentar danos no cabo ou na ficha, após o aparelho ter funcionado mal ou ter sido danificado de alguma forma. Entregue o aparelho na assistência técnica autorizada mais próxima para exame, reparo ou ajuste.
8. O uso de acessórios não recomendados pelo fabricante do aparelho pode causar ferimentos.
9. Não deixe o fio pendurado na borda da mesa ou do balcão, nem tocar em superfícies quentes.
10. Não utilize este aparelho sem o reservatório de óleo, sem óleo alimentar ou com quantidade insuficiente de óleo.
11. Não coloque o aparelho sobre (ou próximo) de um aquecedor a gás ou eléctrico bem

como fornos aquecidos.

12. Use de extremo cuidado ao mover a fritadeira sempre que contenha óleo
13. Certifique-se que as pegas estão correctamente instaladas no local certo do cesto.
Consulte as instruções detalhadas para instalação.
14. Antes de utilizar, certifique-se que o reservatório de óleo está correctamente posicionado.
15. Nunca ligue a fritadeira a electricidade sem primeiro colocar óleo no reservatório.
16. O óleo no reservatório continuará quente após ser desligada a fritadeira. Nunca tente mover a sua fritadeira até que esteja completamente fria e levante o reservatório de óleo com as pegas.
17. Embora o reservatório de óleo destacável possa ser completamente imerso em água e limpo, ele deve ser completamente seco antes do próximo uso para evitar choque elétrico.
18. Nunca encha a fritadeira com óleo. Preencha apenas entre os níveis mínimo e máximo, conforme indicado no interior do reservatório de óleo.
19. Não adicione alimentos com cristais de gelo ou demasiados húmido no óleo quente.
20. Este aparelho não se destina a ser utilizado por pessoas (incluindo crianças) com capacidades físicas, sensoriais ou mentais reduzidas ou falta de experiência e conhecimento a menos que tenham recebido supervisão ou instruções relativas à utilização dos aparelhos por uma pessoa responsável pela sua utilização.
21. As crianças devem ser supervisionadas para garantir que não brincam com o aparelho.
22. Ao finalizar a fritura levante sempre a cesta e espere alguns segundos para permitir que a pressão do vapor diminua.
23. Não use o aparelho para outro fim que não seja o uso definido pelo fabricante.
24. Não use o aparelho ao ar livre.
25. Guarde o aparelho no interior de sua casa para evitar falhas nos componentes electrónicos.

26. ADVERTÊNCIA: Queimaduras graves de óleo quente podem ser causadas ao retirar uma fritadeira de uma bancada. Não permita que o cabo de alimentação fique pendurado na borda de um balcão, onde possa ser agarrado por crianças ou enrolar-se no corpo de quem usa o aparelho.

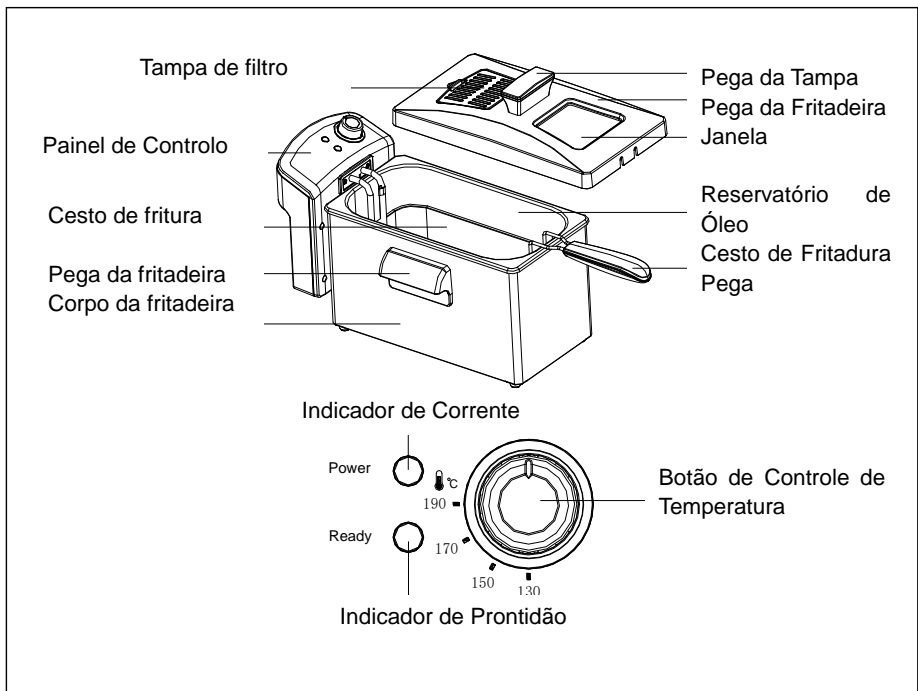
27. O aparelho não deve ser controlado através de um temporizador externo ou de um sistema de controle remoto separado.

28. Este aparelho destina-se a ser utilizado em aplicações domésticas e similares, tais como:

- Áreas de recursos humanos em empresas, escritórios e outros ambientes de trabalho;
- Fazendas ;
- Por clientes em hotéis, motéis e outros ambientes residenciais;
- Mótéis, bed&breakfast e similares.

29. Guarde estas instruções.

DESCRIÇÃO DO PRODUTO



PAINEL DE CONTROLE

O botão de controle de temperatura

O botão de controle de temperatura liga a fritadeira e ajusta a temperatura desejada.

Indicador de Corrente

O indicador de corrente acende quando a fritadeira está ligada.

Indicador de prontidão

Indicador de prontidão irá ligar e desligar várias vezes durante a fritura. Isso indica que a temperatura é mantida termostaticamente.

USAR PELA PRIMEIRA VEZ

1. Remova todos os materiais de embalagem, etiquetas e/ou adesivos da fritadeira.

AVISO: Não ligue a fritadeira quando o painel de controle não estiver instalado no corpo da fritadeira. Ligue a fritadeira apenas quando estiver completamente montada e o elemento de aquecimento estiver imerso no óleo.

AVISO: Não mergulhe o painel de controle, o cabo ou a ficha na água.

AVISO: Este aparelho não deve ser usado para ferver água.

2. Levante o painel de controle com o elemento de aquecimento para fora das ranhuras, puxando-o da parte inferior com uma mão enquanto segura o corpo da fritadeira com a outra.

3. Retire o reservatório de óleo do corpo da fritadeira.

4. Lave o reservatório de óleo e a cesta de fritura com água quente, uma esponja não abrasiva e detergente líquido ou outros detergentes não-tóxicos. Seque bem antes de usar.

NOTA: O reservatório de óleo, a cesta de fritura, a alça da cesta de fritura, o filtro permanente e a tampa podem ser lavados com água morna e sabão.

AVISO: Não mergulhe o painel de controle, o cabo de alimentação ou a ficha em nenhum tipo de líquido.

MONTAGEM DA FRITADEIRA PROFUNDA

1. Coloque o reservatório de óleo no compartimento da fritadeira.
2. Insira as bordas da guia do painel de controle nos trilhos de guia montados no corpo de metal (Fig.1).

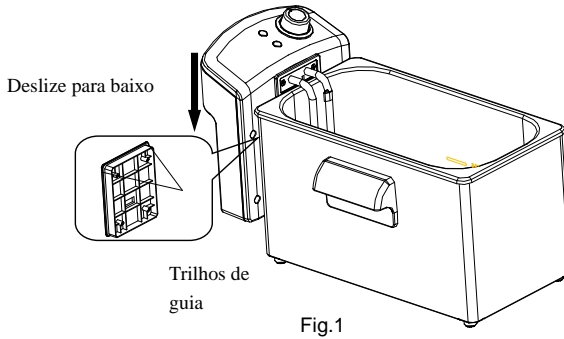


Fig.1

3. Deslize os trilhos de guia para baixo e até ao limite.

NOTA: A fritadeira possui um interruptor de segurança automático para garantir que a unidade não funcionará, a menos que o painel de controle tenha sido inserido com segurança nos trilhos da guia do corpo da fritadeira.

4. Conecte a alça ao cesto da fritadeira apertando o guidão e inserindo-o no suporte de metal da cesta. Certifique-se de que a extremidade das barras esta inserida nos orifícios do suporte. Levante a alça até fixar no lugar (**fig. 2**).

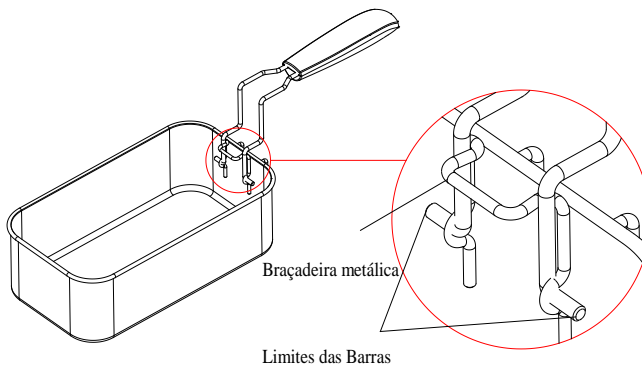


Fig.2

USAR A FRITADEIRA

AVISO: Nunca ligue a fritadeira antes de encher o reservatório com óleo. Antes de ligar, certifique-se sempre de que o painel de controle esta firmemente posicionado no alojamento da fritadeira e que o elemento de aquecimento esta dentro do reservatório e imerso no óleo.

1. Coloque o óleo de cozinhar no reservatório de óleo, certificando-se de que enche a uma quantidade situada entre as linhas de enchimento “**Min**” e “**Max**” presentes no recipiente de óleo, *não coloque menos nem mais que estes limites*. Os níveis de óleo devem ser mantidos entre o mínimo (2,5 litros) e os níveis máximos (3,5 litros) marcados dentro do recipiente de óleo.

2. Pode usar óleo vegetal misturado, óleo de milho ou óleo de canola. Não use azeite, margarina, banha ou gordura. Nunca misture óleos velhos e novos juntos ou óleos e gorduras diferentes.

3. Se quiser usar gordura sólida, em primeiro lugar deve derretê-la seguindo as dicas presentes na secção de "**Dicas para a utilização de gordura sólida**".

4. Coloque a tampa na fritadeira.

5. Insira a ficha na tomada elétrica. A luz indicadora de corrente acende-se.

CUIDADO: Nunca ligue o painel de controle quando não estiver montado no corpo da fritadeira. Não mergulhe o painel de controle, o cabo de alimentação ou a ficha na água ou em qualquer outro líquido.

6. Rode o botão de controle de temperatura para a temperatura desejada.

7. A luz de prontidão acenderá quando a temperatura definida for atingida.

8. Não encha a frigideira quando estiver imersa no óleo quente. Coloque a comida na cesta de fritura. Não atire a comida no óleo quente. Não sobrecarregue e a carga máxima é de 250g. Para melhores resultados e menor tempo de fritura, frite quantidades menores.

AVISO: Ao fritar alimentos congelados, remova a cesta de fritura da fritadeira antes de colocar os alimento pois o óleo respingarà podendo causar-lhe queimaduras.

ATENÇÃO: Ao fritar alimentos congelados, como batatas fritas, não deve exceder a linha de enchimento “**Max**” no cesto da fritadeira. Limpe o gelo de alimentos

congelados antes de fritar. Se tal não for feito, a fritadeira poderá transbordar quando o alimento for colocado no óleo.

9. Mergulhe a cesta de fritura no reservatório com cuidado para não espirrar óleo.
10. Volte a colocar a tampa na fritadeira enquanto estiver a fritar.
11. Quando o período de cozimento terminar, coloque o controle de temperatura na posição “DESLIGADO” e remova a ficha da tomada elétrica.
12. Retire com cuidado a tampa da fritadeira levantando-a para evitar que o vapor escape antes de remover a tampa completamente. Mantenha o rosto afastado da parte superior do aparelho para evitar queimaduras causadas pelo vapor que sai.
13. Levante a frigideira pela alça e coloque-a no recipiente de óleo para permitir a drenagem do óleo.
14. Assim que o óleo tenha sido drenado da cesta de fritura, a cesta pode ser retirada e a comida servida ou colocada num prato.

AVISO: Deixe sempre a fritadeira esfriar completamente (aproximadamente 2 horas) antes de limpar ou armazenar. Nunca transporte ou mova o aparelho com óleo quente no interior.

ATENÇÃO: As superfícies metálicas da fritadeira ficam quentes durante o uso. Não toque nas laterais do aparelho enquanto ele estiver sendo usado.

DICAS DE FRITURA

1. Use sempre a fritadeira para fritar alimentos.
2. Feche sempre a tampa durante a fritura. Recoloque a tampa com cuidado.
3. Quando o óleo está pré-aquecido, a luz indicadora de prontidão acenderá indicando que a temperatura desejada foi atingida.
4. Baixe lentamente a cesta de fritura no óleo quente. Baixar a cesta de fritura muito rapidamente pode resultar em transbordo ou salpicos de óleo.
5. É normal que vapor escape pelas laterais da tampa durante a fritura.
6. Evite ficar muito perto da fritadeira enquanto ela estiver funcionando.
7. Não misture óleo novo e velho juntos.
8. Substitua o óleo regularmente. Em geral, o óleo será contaminado rapidamente ao fritar alimentos que contenham muita proteína (como frango, carne e peixe). Quando o óleo é

usado principalmente para fritar batatas e é filtrado após cada uso, ele pode ser usado entre 8 a 10 vezes, mas não use o mesmo óleo por mais de 6 meses.

9. Substitua sempre todo o óleo quando este formar espuma ao aquecer, quando a cor ficar escura, quando tiver um cheiro e gosto rançoso ou se tornar xaroposo.

10. Certifique-se de que o alimento a ser frito está seco. Remova o gelo solto dos alimentos congelados antes de fritar.

11. Para cozinhar uniformemente, as peças devem ter o mesmo tamanho e espessura. Peças mais grossas demoram mais para cozinhar.

12. Os seguintes tempos de cozimento refletem apenas o tempo aproximado necessário para fritar uma cesta a meia capacidade. O tempo exato pode ser diferente dependendo da quantidade total, preferências pessoais de cozimento, tamanho e espessura das peças dos alimentos, etc.

CONFIGURAÇÕES DE TEMPERATURA

Em geral, use configurações mais baixas para alimentos delicados (legumes, peixe) e configurações mais altas para alimentos congelados, batatas fritas e frango.

ALIMENTO	TEMPO DE COZIMENTO	TEMPERATURA
BATATAS FRITAS	6-9 minutos	190°C
FILETES DE PEIXE	3-5 minutos	150°C
TIRAS DE FRANGO	6-8 minutos	170°C
PEDAÇOS DE FRANGO	13-20 minutos	170°C
ZUCCHINI FRITO	3 minutos	150°C
COGUMELOS FRITOS	3 minutos	150°C
RODELAS DE CEBOLA	3 minutos	150°C
DONUTS	3-5 minutos	170°C
BEIGNETS DE MAÇÃ	4 minutos	170°C
CAMARÕES	4-6 minutos	150°C

DICAS PARA USAR GORDURA SÓLIDA:

ADVERTÊNCIA: Não coloque gordura sólida no reservatório de óleo ou na cesta de fritura.

1. Se usar gordura vegetal sólida, derreta-a primeiro num recipiente separado e depois com muito cuidado, despeje a gordura derretida no reservatório de óleo.
2. Os vegetais sólidos previamente usados e que tenham coagulado e endurecido no reservatório devem ser removido do reservatório e derretidos numa panela separada antes de serem reutilizados.

ATENÇÃO: Se tentar derreter gordura solidificada no reservatório de óleo, há risco de que a gordura derretida quente subitamente salpique de baixo para cima através da camada superior sólida da gordura.

Use apenas o seguinte procedimento

Quando derreter a gordura sólida na sua fritadeira:

1. Certifique-se de que a gordura esta à temperatura ambiente. Se a gordura estiver fria, existe um risco maior de salpicos.
2. Faça cuidadosamente alguns buracos na gordura com um garfo.
3. Certifique-se de que a tampa esta sempre bem fechada enquanto a gordura está a derreter.
4. Ajuste o botão de controle de temperatura para 150 °C.

IMPORTANTE: A luz de energia acenderá quando a tomada de energia for ligada. A luz de prontidão acenderá quando a gordura ou o óleo no reservatório atingir a temperatura selecionada.

FILTRAGEM E MUDANÇA DO ÓLEO

ATENÇÃO: Certifique-se de que a fritadeira esta desligada da tomada e o óleo esfriado (aproximadamente 2 horas) antes de trocar o óleo ou de limpar e guardar a fritadeira.

NOTA: O óleo não precisa ser trocado após cada uso. Em geral, o óleo contamina rapidamente quando fritar alimentos que contenham muita proteína (como frango, carne ou peixe). Quando o óleo é usado maioritariamente para fritar batatas e é filtrado após cada uso, ele pode ser usado entre 8 a 10 vezes. No entanto, não use o mesmo óleo por

mais de 6 meses.

Para filtrar o óleo:

1. Certifique-se de que o óleo está esfriado (aproximadamente 2 horas) e em seguida, esvazie o óleo do reservatório noutro recipiente ou garrafa. (Fig.3)
2. Lave e seque o reservatório de óleo e a cesta de fritura.
3. Volte a encher o reservatório com o óleo, derramando o óleo através de um filtro de arame ou filtro de papel. (Fig. 4)

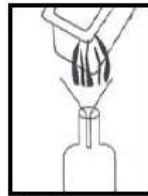


Fig.3

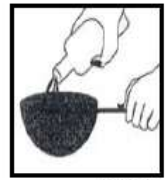


Fig.4

INSTRUÇÕES DE LIMPEZA

Para garantir muitos anos de serviço ao seu aparelho, limpe a fritadeira após cada uso.

ADVERTÊNCIA: Remova sempre a ficha da tomada elétrica antes de limpá-lo. Deixe a fritadeira e o óleo esfriarem completamente (aproximadamente 2 horas) antes de limpar.

1. Nunca mergulhe o painel de controle, o cabo ou a ficha na água ou em qualquer outro líquido.
2. Não coloque o painel de controle, cabo ou ficha na máquina de lavar louça.
3. Limpe o painel de controle apenas com um pano húmido.
4. O reservatório de óleo e a cesta de fritura podem ser lavadas na prateleira superior da máquina de lavar louça.
5. A tampa da fritadeira pode ser lavada em água morna e sabão. Não coloque o corpo da fritadeira no líquido ou na máquina de lavar louça.
6. Para limpar o filtro permanente, remova-o da tampa e lave-o em água quente com sabão. Lave e seque bem antes de reinseri-lo na tampa da fritadeira. Substitua a tampa do filtro.

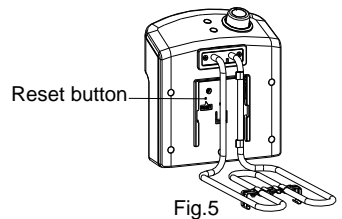
ATENÇÃO: Não lave o filtro permanente na máquina de lavar louça.

O RECURSO DE REINICIALIZAÇÃO

A sua fritadeira está equipada com um recurso de reinicialização. Se por algum motivo, a fritadeira parar de aquecer, a razão pode ser que o interruptor de reinicialização tenha disparado.

Para reiniciar a fritadeira:

1. Desligue o aparelho da tomada elétrica.
2. Deixe o aparelho e o óleo no reservatório esfriarem completamente.
3. Após o aparelho ter esfriado completamente, levante o painel de controle e com a ponta de uma caneta esferográfica ou lápis, pressione o botão de reinicialização do termostato localizado na parte interna do painel de controle (Fig. 5).
4. Volte a montar o painel de controle na caixa da fritadeira e p



Botão de Reiniciar á

RESOLUÇÃO DE PROBLEMAS

PROBLEMA	POSSÍVEL CAUSA	SOLUÇÃO
A fritadeira não está a trabalhar	<ol style="list-style-type: none">1. O conjunto de controle não está instalado corretamente.2. A ficha não está ligada à tomada elétrica.3. A tomada elétrica não tem corrente.4. O botão de reiniciar foi activado sem querer.	<ol style="list-style-type: none">1. Recoloque o conjunto do painel de controle2. Insira a ficha na tomada elétrica.3. Reinicie o disjuntor ou substitua o fusível.4. Desligue o aparelho e deixe-o esfriar completamente. Em seguida, remova o painel de controle e pressione o botão de reinicialização do termostato.

<p>Óleo está a transbordar para fora da fritadeira</p>	<ol style="list-style-type: none"> 1. Demasiado óleo no reservatório de óleo. 2. A cesta de alimentos pode estar cheia demais. 3. O óleo tem sido usado com muita frequência e está a criar espuma. 	<ol style="list-style-type: none"> 1. Desligue a fritadeira. Deixe o óleo esfriar completamente e remova um pouco do excesso de óleo. 2. Retire alguns dos alimentos da cesta. 3. Desligue a fritadeira. Deixe o óleo esfriar completamente e encha novamente o reservatório com óleo novo.
<p>Comida apresenta aspecto ensopado ou gorduroso</p>	<ol style="list-style-type: none"> 1. O óleo não está suficientemente quente. 2. A cesta está cheia com demasiados alimentos. 	<ol style="list-style-type: none"> 1. Ajuste o botão de controle de temperatura para a temperatura apropriada para alimentos fritos. 2. Retire alguns dos alimentos da cesta.
<p>A comida não cozinha completamente</p>	<ol style="list-style-type: none"> 1. As peças de alimentos são demasiado largas. 2. O tempo de cozimento é curto. 3. A temperatura do óleo é muito quente. 	<ol style="list-style-type: none"> 1. Corte a comida em pedaços menores. 2. Continue fritando e verifique o processo continuamente. 3. Reduza a temperatura do óleo para permitir que o alimento esfrie completamente.
<p>O óleo de cozinha está a criar espuma ou a emitir fumos</p>	<ol style="list-style-type: none"> 1. O óleo foi usado demasiadas vezes. 	<ol style="list-style-type: none"> 1. Deixe o óleo arrefecer completamente e substitua-o por óleo novo.

ELIMINAÇÃO AMIGA DO AMBIENTE



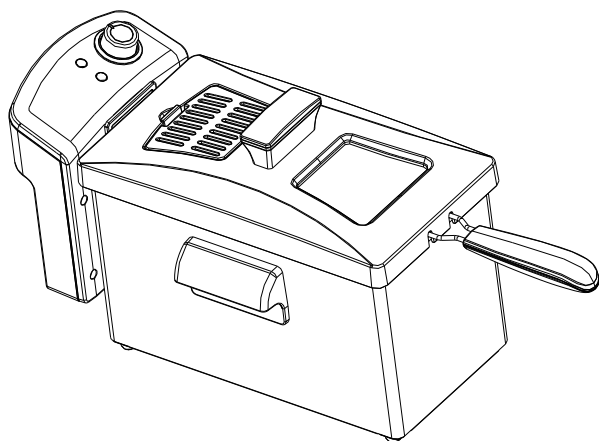
Você pode ajudar a proteger o meio ambiente!
Lembre-se de respeitar as regulamentações locais:
entregue o equipamento elétrico que já não funciona
num centro apropriado de reciclagem de resíduos.



VOX
ELECTRONICS

GRC

ΟΔΗΓΙΕΣ ΧΡΗΣΗΣ
FT - 5410



Διαβάστε προσεκτικά αυτό το εγχειρίδιο πριν τη χρήση του προϊόντος και κρατήστε το για μελλοντική αναφορά

ΣΗΜΑΝΤΙΚΕΣ ΔΙΑΣΦΑΛΙΣΕΙΣ

Πριν από τη χρήση της ηλεκτρικής συσκευής πρέπει πάντα να ακολουθείτε τις επόμενες βασικές προφυλάξεις, συμπεριλαμβανομένων των εξής:

1. Διαβάστε όλες τις οδηγίες.
2. Μην αγγίζετε την καυτή επιφάνεια. Χρησιμοποιήστε τις λαβές ή τα κουμπιά.
3. Για να προστατευτείτε από ηλεκτροπληξία, μην βυθίζετε το καλώδιο, τα βύσματα ή το περίβλημα σε νερό ή άλλο υγρό.
4. Η στενή παρακολούθηση είναι απαραίτητη όταν οποιαδήποτε συσκευή χρησιμοποιείται από παιδιά ή κοντά σε αυτά.
5. Αποσυνδέστε την συσκευή από την πρίζα όταν δεν τη χρησιμοποιείτε και πριν από τον καθαρισμό. Αφήστε την να κρυώσει πριν την αποθηκεύσετε ή βγάλετε εξαρτήματα και πριν καθαρίσετε τη συσκευή.
6. Μην τοποθετείτε τη συσκευή σε μαλακή επιφάνεια εργασίας ή επιφάνεια εργασίας που καλύπτεται με τραπεζομάντιλο, βεβαιωθείτε ότι η συσκευή λειτουργεί σε άκαμπτη επιφάνεια.
7. Μην χρησιμοποιείτε καμία συσκευή με φθαρμένο καλώδιο ή βύσμα ή αφού η συσκευή δυσλειτουργήσει ή έχει υποστεί ζημιά με οποιονδήποτε τρόπο. Επιστρέψτε τη συσκευή στην πλησιέστερη εξουσιοδοτημένη υπηρεσία εξυπηρέτησης για εξέταση, επισκευή ή προσαρμογή.
8. Η χρήση εξαρτημάτων που δεν συνιστώνται από τον κατασκευαστή της συσκευής μπορεί να προκαλέσει τραυματισμούς.
9. Μην αφήνετε το καλώδιο να κρεμάει πάνω από μια άκρη ενός τραπέζιου ή μετρητή ή ζεστή επιφάνεια.
10. Μην χρησιμοποιείτε αυτή τη συσκευή όταν λείπει το δοχείο λαδιού, το λάδι και άλλα υλικά ή το λάδι δεν είναι αρκετό.
11. Μην τοποθετείτε πάνω ή κοντά σε αέριο ή ηλεκτρικό καυστήρα ή σε θερμαινόμενο φούρνο.
12. Κατά τη μετακίνηση της φριτέζας που περιέχει καυτό λάδι, πρέπει να χρησιμοποιείτε εξαιρετική προσοχή.

13. Βεβαιωθείτε ότι οι λαβές είναι σωστά συναρμολογημένες στο καλάθι και ασφαλισμένες στη θέση τους. Ανατρέξτε στις λεπτομερείς οδηγίες συναρμολόγησης.
14. Πριν από τη χρήση, βεβαιωθείτε ότι η δεξαμενή λαδιού είναι σωστά τοποθετημένη.
15. Ποτέ μην συνδέετε τη φριτέζα με την τροφοδοσία ρεύματος χωρίς να τοποθετείσετε πρώτα λάδι στη δεξαμενή λαδιού.
16. Το λάδι στη δεξαμενή λαδιού θα είναι ακόμα ζεστό μετά την απενεργοποίηση. Ποτέ μην προσπαθείτε να μετακινήσετε τη φριτέζα σας μέχρι να κρυώσει εντελώς, σηκώστε τη δεξαμενή λαδιού χρησιμοποιώντας τις λαβές.
17. Αν και η αποσπώμενη δεξαμενή λαδιού μπορεί να βυθιστεί τελείως στο νερό και να καθαριστεί, πρέπει να στεγνώσει εντελώς πριν από την επόμενη χρήση για να αποφευχθεί η ηλεκτροπληξία.
18. Ποτέ μην το παρακάνετε με το λάδι. Συμπληρώστε μόνο μεταξύ του ελάχιστου και του μέγιστου επιπέδου, όπως αναφέρεται στο εσωτερικό της δεξαμενής λαδιού.
19. Μην προσθέτετε τρόφιμα με κρυστάλλους πάγου ή εάν είναι βρεγμένο στο καυτό λάδι.
20. Αυτή η συσκευή δεν προορίζεται για χρήση από άτομα (συμπεριλαμβανομένων παιδιών) με μειωμένες σωματικές, αισθητηριακές ή διανοητικές ικανότητες ή έλλειψη εμπειρίας και γνώσης, εκτός εάν τους έχει δοθεί εποπτεία ή οδηγίες σχετικά με τη χρήση των συσκευών από άτομο υπεύθυνο για την ασφάλειά τους.
21. Τα παιδιά θα πρέπει να επιβλέπονται για να βεβαιωθείτε ότι δεν παίζουν με τη συσκευή.
22. Αφού ολοκληρώσετε το τηγάνισμα, σηκώστε πάντα το καλάθι και περιμένετε λίγα δευτερόλεπτα για να αφήσετε να πέσει η πίεση του ατμού.
23. Μη χρησιμοποιείτε τη συσκευή για άλλη χρήση εκτός από την προβλεπόμενη.
24. Μη χρησιμοποιείτε σε εξωτερικούς χώρους.
25. Αποθηκεύστε τη συσκευή σε εσωτερικό χώρο για να αποτρέψετε την ζημιά ηλεκτρονικών εξαρτημάτων.
26. ΠΡΟΕΙΔΟΠΟΙΗΣΗ: Μπορεί να προκληθούν σοβαρά εγκαύματα από καυτό λάδι από τη φριτέζα που τραβιέται από τον πάγκο. Μην επιτρέπετε στο καλώδιο τροφοδοσίας να κρέμεται πάνω από την άκρη ενός μετρητή όπου μπορεί να αρπαχθεί από τα

παιδιά ή να εμπλακεί στα πόδια χρήστη.

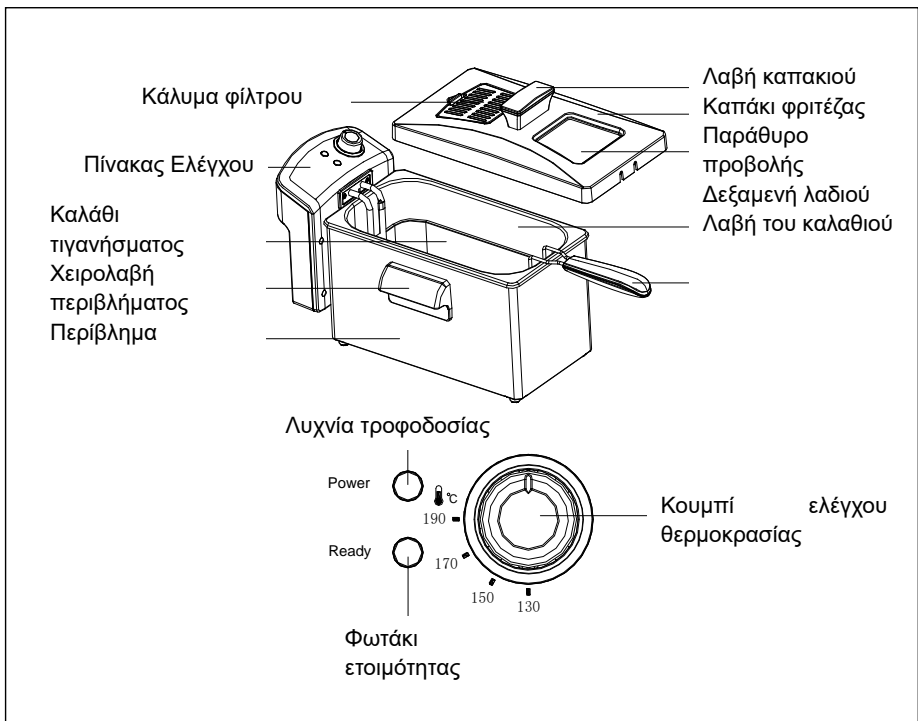
27. Η συσκευή δεν προορίζεται για λειτουργία με εξωτερικό χρονοδιακόπτη ή ξεχωριστό σύστημα τηλεχειρισμού.

28. Το προϊόν προορίζεται για οικιακή χρήση ή:

- κουζίνες με εξειδικευμένο προσωπικό σε μαγαζιά, γραφεία και άλλους εργασιακούς χώρους ·
- αγροικίες;
- ξενοδοχεία, μοτέλ και ενοικιαζόμενα διαμερίσματα ·
- Ορισμένα διαμερίσματα για διανυκτέρευση.

29. Κρατήστε αυτές τις οδηγίες για μελλοντική αναφορά.

ΛΙΣΤΑ ΑΝΤΑΛΛΑΚΤΙΚΩΝ



ΠΙΝΑΚΑΣ ΕΛΕΓΧΟΥ

Το κουμπί ελέγχου θερμοκρασίας

Το κουμπί ελέγχου θερμοκρασίας ενεργοποιεί τη φριτέζα και ρυθμίζει την επιθυμητή θερμοκρασία για το τηγάνισμα.

Η λυχνία τροφοδοσίας

Η λυχνία τροφοδοσίας ανάβει όταν η φριτέζα είναι αναμμένη.

Το έτοιμο φως

Το έτοιμο φως θα ανάψει και θα απενεργοποιηθεί αρκετές φορές κατά τη διάρκεια του τηγανίσματος. Αυτό δείχνει ότι η θερμοκρασία διατηρείται θερμοστατικά.

Πρώτη χρήση

1. Αφαιρέστε όλα τα υλικά συσκευασίας, τις ετικέτες ή / και τα αυτοκόλλητα από τη φριτέζα.

ΠΡΟΕΙΔΟΠΟΙΗΣΗ: Μην συνδέετε τη φριτέζα όταν ο πίνακας ελέγχου δεν είναι εγκατεστημένος στο σώμα της φριτέζας. Συνδέστε μόνο τη φριτέζα όταν η μονάδα είναι πλήρως συναρμολογημένη και το στοιχείο θέρμανσης βυθίζεται στο λάδι.

ΠΡΟΕΙΔΟΠΟΙΗΣΗ: Μη βυθίζετε τον πίνακα ελέγχου, το καλώδιο ή το βύσμα στο νερό.

ΠΡΟΕΙΔΟΠΟΙΗΣΗ: Η μονάδα αυτή δεν πρέπει να χρησιμοποιείται για να βράσετε νερό.

2. Σηκώστε τον πίνακα ελέγχου με το στοιχείο θέρμανσης από τις εγκοπές του, τραβώντας το προς τα πάνω από το κάτω μέρος με το ένα χέρι ενώ κρατάτε το σώμα της φριτέζας με το άλλο σας χέρι.

3. Αφαιρέστε τη δεξαμενή λαδιού από το σώμα της φριτέζας.

3. Πλύνετε τη δεξαμενή λαδιού και το καλάθι τηγανίσματος με ζεστό νερό, μη αφρώδες σφουγγάρι και υγρό πιάτων ή άλλο μη δηλητηριώδες απορρυπαντικό. Στεγνώστε προσεκτικά πριν τη χρήση.

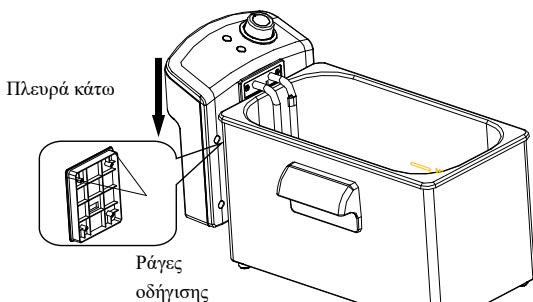
ΣΗΜΕΙΩΣΗ: Η δεξαμενή λαδιού, το τηγάνι τηγανίσματος, η λαβή για το τηγάνι, το μόνιμο φίλτρο και το καπάκι μπορούν να πλυθούν με ζεστό σαπουνόνερο.

ΠΡΟΕΙΔΟΠΟΙΗΣΗ: Μην βυθίζετε τον πίνακα ελέγχου, το καλώδιο τροφοδοσίας ή τα

βύσματα σε υγρό οποιουδήποτε είδους.

ΣΥΝΑΡΜΟΛΟΓΗΣΗ ΤΗΣ ΦΡΙΤΕΖΑΣ

1. Τοποθετήστε τη δεξαμενή λαδιού στο περίβλημα της φριτέζας.
2. Τοποθετήστε τις άκρες οδήγησης στον πίνακα ελέγχου στις ράγες οδήγησης που είναι τοποθετημένες στο μεταλλικό σώμα (Εικ.1).

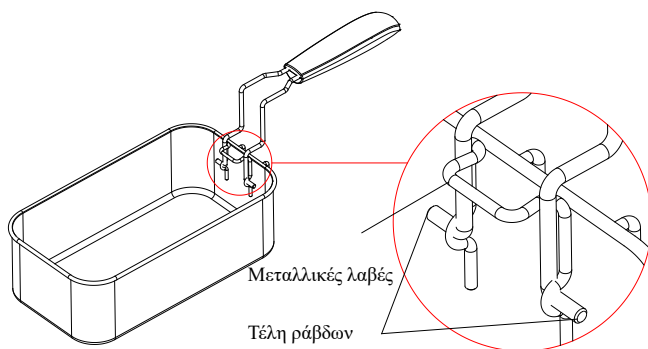


Εικ.1

3. Σύρετε τις άκρες των οδηγών προς τα κάτω όσο μπορούν να πάνε.

ΣΗΜΕΙΩΣΗ: Η φριτέζα έχει αυτόματο διακόπτη ασφαλείας για να διασφαλίσει ότι η μονάδα δεν θα λειτουργήσει εκτός εάν ο πίνακας ελέγχου έχει τοποθετηθεί καλά στις ράγες οδήγησης στο σώμα της φριτέζας.

4. Συνδέστε τη λαβή του καλαθιού φριτέζας στο καλάθι της φριτέζας πιέζοντας μαζί τις ράβδους χειρολαβής και τοποθετώντας τις μέσα στο μεταλλικό στήριγμα στο καλάθι. Βεβαιωθείτε ότι το άκρο των ράβδων έχει εισαχθεί στις τρύπες του βραχίονα. Ανασηκώστε τη λαβή για να ασφαλίσει στη θέση της (εικόνα 2).



Εικ.2

ΧΡΗΣΗ ΤΗΣ ΦΡΙΤΕΖΑΣ

ΠΡΟΕΙΔΟΠΟΙΗΣΗ: Μην συνδέετε ποτέ τη φριτέζα πριν γεμίσετε τη δεξαμενή λαδιού με λάδι. Πάντα να βεβαιώνεστε ότι ο πίνακας ελέγχου είναι ασφαλώς στη θέση του στο περίβλημα της φριτέζας και ότι το στοιχείο θέρμανσης είναι μέσα στο λάδι στη δεξαμενή λαδιού πριν συνδέσετε τη φριτέζα.

1. Ρίξτε λάδι μαγειρέματος στη δεξαμενή λαδιού βεβαιωθείτε ότι βρίσκεται μεταξύ των γραμμών πλήρωσης "Min" και "Max" στο δοχείο λαδιού. Οι στάθμες λαδιού πρέπει να διατηρούνται μεταξύ του ελάχιστου (2,5 λίτρα) και των μέγιστων επιπέδων (3,5 λίτρα) που σημειώνονται μέσα στο δοχείο λαδιού.
2. Μπορείτε να χρησιμοποιήσετε αναμειγμένο φυτικό έλαιο, αραβοσιτέλαιο ή έλαιο canola. **Μη χρησιμοποιείτε ελαιόλαδο, μαργαρίνη ή λαρδί.** Ποτέ μην αναμιγνύετε παλιό και νέο λάδι μαζί ή διαφορετικά έλαια και λίπη.
3. Εάν θέλετε να χρησιμοποιήσετε στερεό λίπος, πρέπει πρώτα να το λιώσετε, οι λεπτομέρειες ανατρέξτε στην ενότητα "**ΣΥΜΒΟΥΛΕΣ ΓΙΑ ΤΗ ΧΡΗΣΗ ΣΤΕΡΕΩΝ ΛΙΠΩΝ**".
4. Τοποθετήστε το κάλυμμα στη φριτέζα.
5. Τοποθετήστε το φινι στην πρίζα. Η λυχνία τροφοδοσίας θα ανάψει.

ΠΡΟΣΟΧΗ: Ποτέ μην συνδέετε τον πίνακα ελέγχου όταν δεν είναι συναρμολογημένο

στο σώμα της φριτέζας. Μην βυθίζετε τον πίνακα ελέγχου, το καλώδιο τροφοδοσίας ή το βύσμα στο νερό ή σε οποιοδήποτε άλλο υγρό.

6. Γυρίστε το κουμπί ελέγχου θερμοκρασίας στην επιθυμητή θερμοκρασία.

7. Η φωτεινή ένδειξη θα ανάψει όταν επιτευχθεί η ρυθμισμένη θερμοκρασία.

8. Μην γεμίζετε το καλάθι για τηγάνισμα όταν βυθίζεται στο καυτό λάδι. Τοποθετήστε το φαγητό στο καλάθι της τηγάνισματος. Μην ρίχνετε το φαγητό στο ζεστό λάδι μαγειρέματος. Μην γεμίζετε υπερβολικά και το μέγιστο φορτίο είναι 250g. Για βέλτιστα αποτελέσματα και μικρότερο χρόνο τηγανίσματος, τηγανίζετε μικρότερες ποσότητες.

ΠΡΟΕΙΔΟΠΟΙΗΣΗ: Όταν τηγανίζετε κατεψυγμένα τρόφιμα, αφαιρέστε το καλάθι τηγανίσματος από τη φριτέζα πριν τη γέμιση, επειδή το λάδι θα εκτοξευθεί και θα προκαλέσει εγκαύματα.

ΠΡΟΣΟΧΗ: Όταν τηγανίζετε κατεψυγμένα τρόφιμα, όπως προτιγανισμένες πατάτες, δεν πρέπει να υπερβείτε τη γραμμή "Max" στο καλάθι της φριτέζας. Καθαρίστε κάθε πάγο από τα κατεψυγμένα τρόφιμα πριν από το τηγάνισμα. Εάν δεν το κάνετε, μπορεί να προκληθεί υπερχειλίση της φριτέζας όταν τα τρόφιμα τοποθετηθούν σε λάδι.

9. Βυθίστε προσεκτικά το καλάθι τηγανίσματος στη δεξαμενή λαδιού, ώστε να μην εκτοξεύσετε το λάδι.

10. Αντικαταστήστε το καπάκι της φριτέζας στη φριτέζα κατά τη διάρκεια του τηγανίσματος.

11. Όταν τελειώσει η περίοδος μαγειρέματος, Γυρίστε το ρυθμιστή θερμοκρασίας στη θέση "OFF" και αφαιρέστε το φιν από την πρίζα.

12. Αφαιρέστε προσεκτικά το καπάκι της φριτέζας και σηκώστε το από μακριά για να αφήσετε τον ατμό να διαφύγει πριν αφαιρέσετε τελείως το καπάκι. Κρατήστε το πρόσωπό σας μακριά από το επάνω μέρος της συσκευής για να αποφύγετε τα εγκαύματα που προκαλούνται από τη διαφυγή του ατμού.

13. Ανασηκώστε το καλάθι τηγανίσματος από τη λαβή και τοποθετήστε το στο δοχείο λαδιού για να επιτρέψετε την αποστράγγιση του λαδιού.

14. Αφού το λάδι έχει στραγγίσει από το καλάθι για το τηγάνισμα, το καλάθι μπορεί να ανασηκωθεί και το φαγητό να σερβιριστεί ή να τοποθετηθεί σε ένα πιάτο.

ΠΡΟΕΙΔΟΠΟΙΗΣΗ: Πάντοτε αφήστε τη φριτέζα να κρυώσει εντελώς (περίπου 2 ώρες)

πριν καθαρίσετε ή αποθηκεύσετε. Ποτέ μην μεταφέρετε ή μετακινήσετε τη συσκευή με καυτό λάδι μέσα.

ΠΡΟΣΟΧΗ: Οι μεταλλικές επιφάνειες της φριτέζας γίνονται ζεστές κατά τη χρήση. Μην αγγίζετε τις πλευρές της συσκευής ενώ χρησιμοποιείται.

ΣΥΜΒΟΥΛΕΣ ΤΗΓΑΝΙΣΜΑΤΟΣ

1. Χρησιμοποιείτε πάντα το καλάθι τηγανίσματος για τηγάνισμα.
2. Πάντοτε κλείστε το καπάκι κατά τη διάρκεια του τηγανίσματος. Επανατοποθετήστε προσεκτικά το καπάκι.
3. Όταν το λάδι προθερμανθεί, ανάβει η ενδεικτική λυχνία ένδειξης που δείχνει ότι έχει επιτευχθεί η επιθυμητή θερμοκρασία.
4. Χαμηλώστε αργά το καλάθι τηγανίσματος στο καυτό λάδι. Εάν χαμηλώσετε πολύ γρήγορα το καλάθι για τηγάνισμα, μπορεί να προκληθεί υπερχειλίση και εκτόξευση λαδιού.
5. Είναι φυσιολογικό ο ατμός να διαφεύγει από τις πλευρές του καπακιού κατά το τηγάνισμα.
6. Αποφύγετε να στέκεστε πολύ κοντά στη φριτέζα ενώ λειτουργεί.
7. Μην αναμιγνύετε το νέο και το παλιό λάδι μαζί.
8. Αντικαταστήστε το λάδι τακτικά. Γενικά, το λάδι θα χαλάει γρήγορα όταν τηγανίζετε τρόφιμα που περιέχουν πολλές πρωτεΐνες (όπως πουλερικά, κρέας και ψάρι). Όταν το λάδι χρησιμοποιείται κυρίως για τηγάνισμα πατάτας και φιλτράρεται μετά από κάθε χρήση, μπορεί να χρησιμοποιηθεί έως 8 έως 10 φορές, αλλά μην χρησιμοποιείτε το ίδιο λάδι για περισσότερο από 6 μήνες.
9. Να αντικαθιστάτε πάντοτε όλο το λάδι μόλις αρχίσει να σχηματίζει αφρό όταν θερμαίνεται ή όταν το χρώμα γίνει σκοτεινό ή όταν έχει οργή ή γούση ή γίνεται σιρόπι.
10. Βεβαιωθείτε ότι τα τρόφιμα που τηγανίζετε είναι στεγνά. Αφαιρέστε τον πάγο από τα κατεψυγμένα τρόφιμα πριν το τηγανίσετε.
11. Για να μαγειρέψετε ομοιόμορφα, τα κομμάτια πρέπει να έχουν το ίδιο μέγεθος και πάχος. Τα παχύτερα κομμάτια θα χρειαστούν περισσότερο χρόνο για να ετοιμαστούν.
12. Οι ακόλουθοι χρόνοι μαγειρέματος αντικατοπτρίζουν μόνο τον κατά προσέγγιση

χρόνο που απαιτείται για να τηγανίσετε ένα καλάθι μισό γεμάτο. Ο ακριβής χρόνος μπορεί να διαφέρει ανάλογα με την πραγματική ποσότητα, τις προσωπικές προτιμήσεις μαγειρέματος, το μέγεθος και το πάχος των τεμαχίων κλπ.

ΡΥΘΜΙΣΕΙΣ ΘΕΡΜΟΚΡΑΣΙΑΣ

Σε γενικές γραμμές, χρησιμοποιήστε χαμηλότερες ρυθμίσεις για ευαίσθητα τρόφιμα (λαχανικά, ψάρια) και υψηλότερες ρυθμίσεις για κατεψυγμένα τρόφιμα, πατάτες τηγανητές και κοτόπουλο.

ΦΑΓΗΤΟ	ΧΡΟΝΟΣ	ΘΕΡΜΟΚΡΑΣΙΑ
Πατάτες	6-9 λεπτά	190°C
Φιλέτα ψαριού	3-5 λεπτά	150°C
Κοτομπουκίτσες	6-8 λεπτά	170°C
Κοτόπουλο	13-20 λεπτά	170°C
Κολοκυθάκια	3 λεπτά	150°C
Μανιτάρια	3 λεπτά	150°C
Ροδέλες κρεμμυδιού	3 λεπτά	150°C
Ντόνατς	3-5 λεπτά	170°C
Γαρίδες	4-6 λεπτά	150°C

ΣΥΜΒΟΥΛΕΣ ΓΙΑ ΤΗ ΧΡΗΣΗ ΣΤΕΡΕΩΝ ΛΙΠΩΝ:

ΠΡΟΕΙΔΟΠΟΙΗΣΗ: Μην τοποθετείτε στερεά λίπη στη δεξαμενή λαδιού ή στο καλάθι της τηγανίσματος.

1. Εάν χρησιμοποιείτε στερεό λίπασμα λαχανικών, λιώστε το πρώτα σε ένα ξεχωριστό δοχείο και, στη συνέχεια, προσθέστε πολύ προσεκτικά το λιωμένο λίπος στη δεξαμενή λαδιού.

2. Το προηγουμένως χρησιμοποιούμενο στερεό φυτικό λίπος που έχει πήξει και σκληρυνθεί στη δεξαμενή λαδιού θα πρέπει να αφαιρεθεί από τη δεξαμενή λαδιού και να λιώσει σε ξεχωριστό τηγάνι πριν επαναχρησιμοποιηθεί.

ΠΡΟΕΙΔΟΠΟΙΗΣΗ: Εάν προσπαθήσετε να λιώσετε το στερεοποιημένο λίπος στη δεξαμενή λαδιού, υπάρχει ο κίνδυνος θερμού τήγματος λίπους ξαφνικά να ψεκάζεται από κάτω μέσα από το στερεό ανώτερο στρώμα λίπους.

Χρησιμοποιήστε μόνο την ακόλουθη διαδικασία

Όταν λιώνετε το στερεό λίπος στη φριτέζα σας:

1. Βεβαιωθείτε ότι το λίπος είναι σε θερμοκρασία δωματίου. Εάν το λίπος είναι κρύο, τότε υπάρχει μεγαλύτερος κίνδυνος εκτόξευσης.
2. Χρησιμοποιώντας ένα πιρούνι, κάντε προσεκτικά μερικές τρύπες στο λίπος.
3. Βεβαιωθείτε ότι το καπάκι είναι πάντα καλά κλειστό όσο λιώνει το λίπος.
4. Ρυθμίστε το κουμπί ελέγχου θερμοκρασίας στους 150 °C.

ΣΗΜΑΝΤΙΚΟ: Η φωτεινή ένδειξη λειτουργίας ανάβει μόλις συνδεθεί η πρίζα. Το έτοιμο φως θα ανάψει όταν το λάδι ή το λάδι στη δεξαμενή φτάσει στην επιλεγμένη θερμοκρασία.

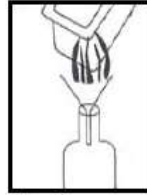
ΦΙΛΤΡΟΠΟΙΗΣΗ & ΑΛΛΑΓΗ ΤΟΥ ΛΑΔΙΟΥ

ΠΡΟΣΟΧΗ: Βεβαιωθείτε ότι η φριτέζα είναι αποσυνδεδεμένη από την ηλεκτρική πρίζα και ότι το λάδι έχει κρυώσει (περίπου 2 ώρες) πριν αλλάξετε το λάδι ή καθαρίζετε και αποθηκεύετε τη φριτέζα.

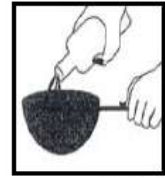
ΣΗΜΕΙΩΣΗ: Γενικά, το λάδι θα χαλάει γρήγορα όταν τηγανίζετε τρόφιμα που περιέχουν πολλές πρωτεΐνες (όπως πουλερικά, κρέας και ψάρι). Όταν το λάδι χρησιμοποιείται κυρίως για τηγάνισμα πατάτας και φιλτράρεται μετά από κάθε χρήση, μπορεί να χρησιμοποιηθεί έως 8 έως 10 φορές, αλλά μην χρησιμοποιείτε το ίδιο λάδι για περισσότερο από 6 μήνες.

Για να φιλτράρετε:

1. Βεβαιωθείτε ότι το λάδι έχει κρυώσει (περίπου 2 ώρες) και στη συνέχεια αδειάστε το λάδι από τη δεξαμενή λαδιού σε άλλο δοχείο ή φιάλη. (Σχ. 3)
2. Πλύνετε και στεγνώστε τη δεξαμενή λαδιού και το καλάθι τηγάνισματος.
3. Επαναγεμίστε τη δεξαμενή λαδιού με το λάδι ρίχνοντας το λάδι μέσω φίλτρου συρμάτων ή φίλτρου χαρτιού. (Σχήμα 4)



Εικ.3.



Εικ.4

ΟΔΗΓΙΕΣ ΚΑΘΑΡΙΣΜΟΥ

Για να εξασφαλίσετε πολλά χρόνια υπηρεσίας από τη συσκευή σας, καθαρίστε τη φριτέζα σας μετά από κάθε χρήση.

ΠΡΟΕΙΔΟΠΟΙΗΣΗ: Πριν από τον καθαρισμό, βγάλτε πάντα το φιν από την πρίζα. Αφήστε τη φριτέζα και το λάδι να κρυώσει εντελώς (περίπου 2 ώρες) πριν καθαρίσετε.

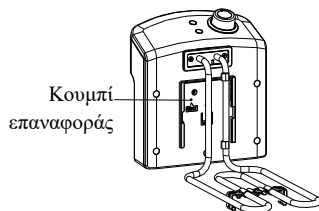
1. Μη βυθίζετε ποτέ τον πίνακα ελέγχου, το καλώδιο ή το βύσμα σε νερό ή οποιοδήποτε άλλο υγρό.
2. Μην τοποθετείτε τον πίνακα ελέγχου, το καλώδιο ή το φιν στο πλυντήριο πιάτων.
3. Καθαρίστε τον πίνακα ελέγχου μόνο με ένα υγρό πανί.
4. Η δεξαμενή λαδιού, το τηγάνι για το τηγάνισμα μπορεί να πλυθεί στο πλυντηρίου πιάτων.
5. Το καπάκι της φριτέζας μπορεί να πλυθεί σε ζεστό σαπουνόνερο. Μην τοποθετείτε το σώμα της φριτέζας στο υγρό ή στο πλυντήριο πιάτων.
6. Για να καθαρίσετε το μόνιμο φίλτρο, αφαιρέστε το από το κάλυμμα και πλύντε το σε ζεστό σαπουνόνερο. Ξεπλύνετε και στεγνώστε καλά πριν την επανατοποθετήσετε στο κάλυμμα της φριτέζας. Αντικαταστήστε το κάλυμμα του φίλτρου.

ΠΡΟΣΟΧΗ: Μην καθαρίζετε το μόνιμο φίλτρο στο πλυντήριο πιάτων.

Η ΛΕΙΤΟΥΡΓΙΑ RESET

Η φριτέζα σας είναι εξοπλισμένη με μια λειτουργία επαναφοράς. Εάν για κάποιο λόγο η φριτέζα διακόπτει τη θέρμανση, ο λόγος μπορεί να είναι ότι ο διακόπτης επαναφοράς έχει σβήσει. Για να επαναφέρετε τη φριτέζα:

1. Αποσυνδέστε τη συσκευή από την πρίζα.
2. Αφήστε τη συσκευή και το λάδι στη δεξαμενή λαδιού να κρυώσει εντελώς.
3. Μετά την πλήρη ψύξη της συσκευής, ανασηκώστε τον πίνακα ελέγχου και χρησιμοποιώντας την άκρη μίας στυλό ή μολύβι, πιέστε το κουμπί επαναφοράς θερμοστάτη που βρίσκεται στο εσωτερικό του πίνακα ελέγχου (Εικ. 5)



Εικ.5

4. Επανασυναρμολογήστε τον πίνακα ελέγχου στο περίβλημα της φριτέζας και, στη συνέχεια, μπορείτε να συνεχίσετε τη διαδικασία τηγανίσματος.

ΑΝΤΙΜΕΤΩΠΙΣΗ ΠΡΟΒΛΗΜΑΤΩΝ

ΠΡΟΒΛΗΜΑ	ΠΙΘΑΝΗ ΑΙΤΙΑ	ΛΥΣΗ
Η φριτέζα δεν λειτουργεί	<ol style="list-style-type: none">1. Το συγκρότημα ελέγχου δεν είναι εγκατασταθεί σωστά.2. Το βύσμα δεν είναι συνδεδεμένο στην ηλεκτρική πρίζα.3. Η πρίζα δεν είναι ενεργοποιημένη.4. Ο διακόπτης επαναφοράς έχει σβήσει.	<ol style="list-style-type: none">1. Επανατοποθετήστε το συγκρότημα του πίνακα ελέγχου2. Εισάγετε το βύσμα στην πρίζα.3. Επαναφέρετε τον ασφαλειοδιακόπτη ή αντικαταστήστε την ασφάλεια.4. Απενεργοποιήστε τη συσκευή και αφήστε την να κρυώσει εντελώς. Στη συνέχεια, αφαιρέστε τον πίνακα ελέγχου και πατήστε το κουμπί επαναφοράς θερμοστάτη.

<p>Το λάδι στάζει από τη φριτέζα</p>	<p>1. Πολύ λάδι στη δεξαμενή λαδιού. 2. Το καλάθι με τρόφιμα σε περίπτωση υπερχειλίσσης. 3. Το λάδι χρησιμοποιείται πολύ συχνά και αφρίζει.</p>	<p>1. Σβήστε τη φριτέζα. Αφήστε το λάδι να κρυώσει εντελώς και αφαιρέστε κάποιο από το υπερβολικό έλαιο. 2. Αφαιρέστε μερικά από τα τρόφιμα από το καλάθι. 3. Σβήστε τη φριτέζα. Αφήστε το λάδι να κρυώσει εντελώς και ξαναγεμίστε τη δεξαμενή λαδιού με νέο λάδι.</p>
<p>Το φαγητό είναι υγρό ή λιπαρό</p>	<p>1. Το λάδι δεν είναι αρκετά ζεστό. 2. Το καλάθι τροφίμων είναι υπερχειλισμένο.</p>	<p>1. Ρυθμίστε το κουμπί ελέγχου θερμοκρασίας σε κατάλληλη θερμοκρασία για τηγανισμένη τροφή. 2. Αφαιρέστε μερικά από τα τρόφιμα από το καλάθι.</p>
<p>Το φαγητό δεν είναι μαγειρευτο εντελώς</p>	<p>1. Τα τεμάχια τροφίμων είναι πολύ μεγάλα. 2. Ο χρόνος μαγειρέματος είναι πολύ μικρός. 3. Η θερμοκρασία του λαδιού είναι πολύ υψηλή.</p>	<p>1. Κόψτε το φαγητό σε μικρότερα κομμάτια. 2. Συνεχίστε το τηγάνισμα και ελέγξτε το διαδικασία συνεχώς. 3. Χαμηλώστε τη θερμοκρασία του λαδιού για να επιτρέψετε στο φαγητό να μαγειρευτεί πλήρως.</p>
<p>Το λάδι μαγειρέματος αφρίζει ή εκπέμπει καπνό</p>	<p>1. Το λάδι έχει χρησιμοποιηθεί περισσότερες φορές από τις συνηστώμενες.</p>	<p>1. Αφήστε το λάδι να κρυώσει εντελώς και αντικαταστήστε με νέο λάδι.</p>

ΠΕΡΑΙΤΕΡΩ ΔΙΑΘΕΣΗ ΠΕΡΙΒΑΛΛΟΝΤΟΣ



Μπορείτε να βοηθήσετε στην προστασία του περιβάλλοντος!

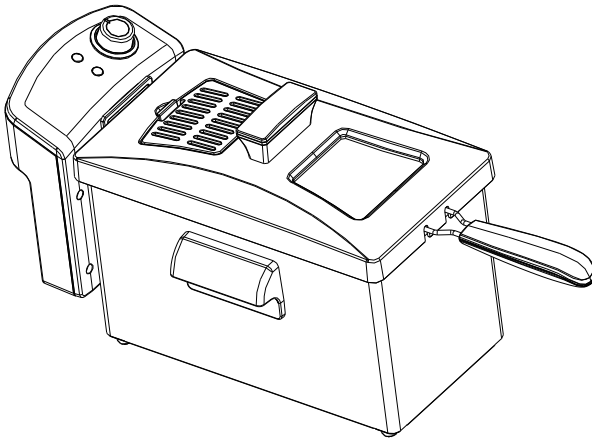
Μην ξεχνάτε να τηρείτε τους τοπικούς κανονισμούς: παραδώστε το μη ενεργό ηλεκτρικό εξοπλισμό σε ένα κατάλληλο κέντρο διάθεσης αποβλήτων.



VOX
ELECTRONICS

SVN

NAVODILA ZA UPORABO
FT - 5410



Pred uporabo pozorno preberite navodila in jih shranite za poznejšo uporabo.

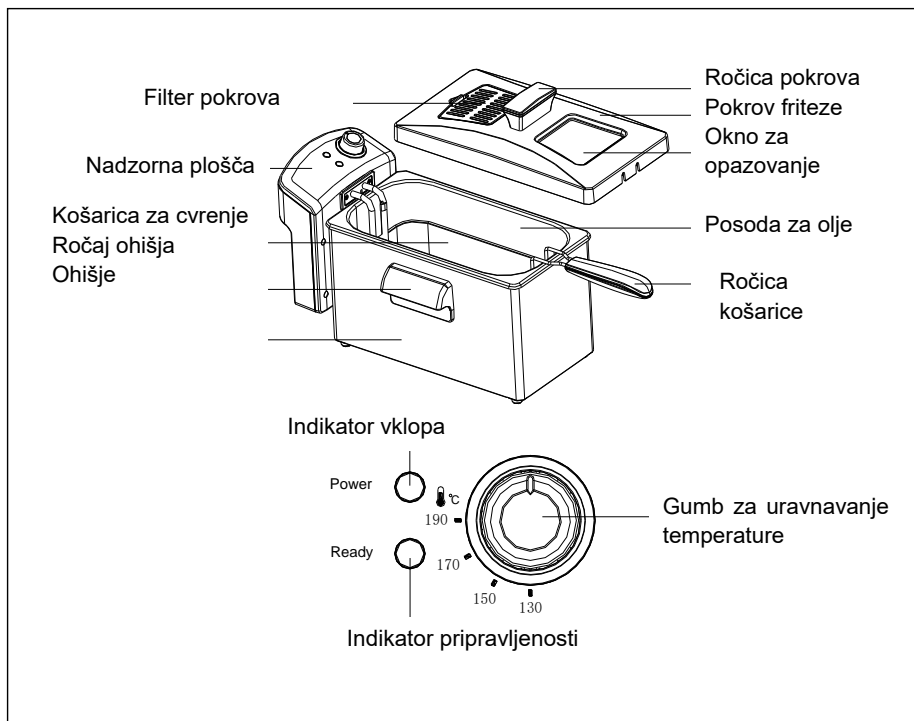
POMEMBNI VARNOSTNI NAPOTKI

Pri uporabi električnih aparatov, je potrebno slediti osnovne varnostne ukrepe, med katerimi so:

1. Preberite navodila v celoti.
2. Ne dotikajte se vročih površin. Uporabljajte ročaje ali gumbe.
3. Da ne bi prišlo do električnega udara, ne potaplajte napajalnega kabla, vtiakača ali ohišja aparata v vodo ali druge tekočine.
4. Kadar aparat uporabljate v bližini otrok, je potrebna posebna pozornost.
5. Pred čiščenjem oz. po uporabi aparata, ga izklopite iz električne vtičnice. Pustite, da se ohladi preden začnete odstranjevati sestavne dele oz. preden začnete s čiščenjem.
6. Aparata ne postavljajte na mehko podlago ali mizo pokrito s prtom, prepričajte se, da je aparat postavljen na trdno podlago.
7. V primeru poškodbe napajalnega kabla ali vtiča oz. kakršnekoli okvare ali poškodbe aparata, nemudoma prekinite z uporabo. Napravo odnesite v najbližji pooblaščen servis na pregled in popravilo.
8. Uporaba dodatne opreme, ki ni priporočena od strani proizvajalca, lahko privede do telesnih poškodb.
9. Ne dovolite, da napajalni kabel visi čez rob mize oz. pulta in ne dovolite, da se dotika vročih površin.
10. Ne uporabljajte aparata brez posode za olje, brez olja ali drugih sestavin oz. z manjšo količino olja od predvidene.
11. Ne postavljajte aparat na ali v bližino vročega električnega ali plinskega grelca oz. peči.
12. Pri premikanju friteze, v kateri se nahaja vrelo olje, morate biti izjemno previdni.
13. Preverite, ali so ročaji pravilno nastavljeni in pritrjeni na košarico. Glej podrobna navodila za sestavljanje.
14. Po končani uporabi, vedno preverite ali je posoda za olje v pravilnem položaju.

15. Friteze nikoli ne priključujte na električno napajanje brez olja v posodi za olje.
16. Olje v posodi ostane vrelo po izklopu aparata. Nikoli ne poskušajte premikati friteze preden se popolnoma ne ohladi, dvignite posodo za olje z ročicami.
17. Odstranljiva posoda za olje je primerna za potapljanje v vodo in pomivanje, vendar jo morate pred ponovno uporabo popolnoma osušiti, da ne bi prišlo do električnega udara.
18. Nikoli ne napolnite friteze s preveliko količino olja. Vedno napolnite posodo tako, da se raven olja nahaja med oznakama za največjo in najmanjšo dovoljeno raven na notranjosti posode.
19. V vrelo olje ne dodajajte mokrih živil oz. zamrznjenih živil.
20. Aparat ni namenjen uporabi od strani oseb (vključno z otroci) z zmanjšanimi telesnimi, zaznavnimi ali umskimi sposobnostmi, pomanjkanjem izkušenj ali znanja, razen pod nadzorom osebe, ki je odgovorna za njihovo varnost.
21. Otroke je potrebno nadzorovati, da se ne bi igrali z aparatom.
22. Po končanem cvrenju, vedno dvignite košarico in počakajte nekaj sekund, da parni tlak pade.
23. Aparata ne uporabljajte razen za predvidene namene.
24. Aparata ne uporabljajte na odprtem prostoru.
25. Aparat hranite v zaprtem prostoru, da ne bi prišlo do poškodb elektronskih delov.
26. **POZOR:** Padeč friteze z delovne površine lahko povzroči hude opekline. Ne dovolite, da napajalni kabel visi čez rob delovne površine, kjer bi ga lahko dosegli otroci oz. bi bil v napoto pri uporabi.
27. Aparat ni namenjen uporabi z zunanjim časovnikom ali ločenim sistemom za daljinsko upravljanje.
28. Aparat je namenjen za gospodinjsko uporabo in podobno, npr.:
 - Kuhinjah za osebje v trgovinah, pisarnah in drugih poslovnih objektih;
 - Kmetijah;
 - Uporaba od strani gostov v hotelih, motelih in podobno;
 - Prenočiščih z zajtrkom.
29. Shranite ta navodila.

OPIS IZDELKA



NADZORNA PLOŠČA

Gumb za uravnavanje temperature

Gumb za uravnavanje temperature služi za vklop friteze in nastavitve želene temperature za cvrenje.

Indikator vklopa

Indikator vklopa se prižge, kadar je friteza vključena.

Indikator pripravljenosti

Indikator pripravljenosti se bo prižgal in ugašal večkrat med cvrenjem. Označuje, da se temperature uravnava po nastavitvi termostata.

PRVA UPORABA

1. Odstranite vso embalažo, nalepnice in oznake s friteze.

POZOR: Friteze ne priključujte na električno napajanje, v kolikor ni nameščena nadzorna plošča na aparatu. Fritezo priključite na napajanje samo, kadar je popolnoma sestavljena in je grelni element potopljen v olju.

POZOR: Ne potaplajte nadzorne plošče, kabla ali vtiča v vodo.

POZOR: Aparata ne uporabljajte za segrevanje vode.

2. Dvignite nadzorno ploščo z grelnim elementom iz vtorov tako, da jo izvlečete navzgor z eno roko, medtem ko z drugo držite osnovo.

3. Odstranite posodo za olje z osnove friteze.

3. Pomijte posodo za olje in košarico z vročo vodo, mehko spužvo in detergentom za posodo ali drugim nestrupenim čistilnim sredstvom. Pred uporabo popolnoma posušite.

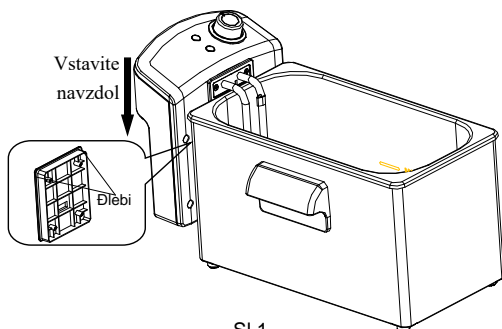
OPOMBA: Posoda za olje, košarica, ročaj košarice, permanentni filter in pokrov lahko pomivate s toplo milnico.

POZOR: Ne potaplajte nadzorne plošče, kabla ali vtiča v kakršnokoli tekočino.

SESTAVLJANJE FRITIZE

1. Postavite posodo za olje v ohišje friteze.

2. Vstavite vodilne robove na nadzorni plošči v žlebe na kovinskem ohišju (Slika 1).

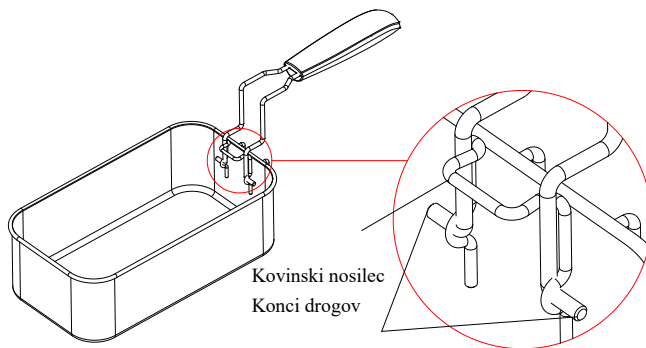


3. Potisnite vodilne robove navzdol, kolikor gredo.

OPOMBA: Friteza je opremljena s samodejnim varnostnim stikalom, ki skrbi za to, da

aparat ne more delovati, če nadzorna plošča ni pravilno vstavljena v žlebove na ohišju friteze.

4. Pritrdite ročaj košarice za cvrenje nanjo tako, da stisnete kovinske dele na ročaju skupaj in jih vstavite v kovinski vtore na košarici. Prepričajte se, da so konci kovinskih delov ročaja vstavljeni v luknje v vtore. Dvignite ročaj, da bi zaskočil v pritrjen položaj (Slika 2).



Slika 2

UPORABA FRITIZE

POZOR: Nikoli ne priključujte friteze na električno napajanje pred polnjenjem posode z oljem. Vedno se prepričajte, da je nadzorna plošča pravilno vstavljena v ohišje in, da je grelni element v olju preden priključite aparat na napajanje.

1. Dodajte dovolj olja v posodo za olje, tako da se raven nahaja med oznakama “**Min**” in “**Max**” na posodi. **Ne uporabljajte premalo ali preveč olja.** Količina olja mora biti med najmanj 2,5 l in največ 3,5 l, kot je označeno v notranjosti posode za olje.
2. Lahko uporabite mešano rastlinsko olje, koruzno olje ali repično olje. **Ne uporabljajte olivnega olja, margarina, svinjske masti ali soka od pečenja.** Nikoli ne mešajte že uporabljeno in neuporabljeno olje ali različna olja oz. maščobe.
3. Če želite uporabiti maščobo v trdnem stanju, jo morate najprej stopiti.

Za podrobnosti si oglejte “**NASVETI ZA UPORABO MAŠČOBE V TRDNEM**”

STANJU”.

4. Namestite pokrov na fritezo.
5. Priključite fritezo na električno napajanje. Prižgal se bo indikator vklopa.
POZOR: Nikoli ne priključujte nadzorne plošče na električno napajanje, kadar ni vstavljen v ohišje aparata. Ne potaplajte nadzorne plošče, kabla ali vtiča v vodo ali druge tekočine.
6. Obrnite gumb za uravnavanje temperature na zeleno temperaturo.
7. Indikator pripravljenosti se bo prižgal, kadar je dosežena zelena temperatura.
8. Ne dodajajte živil v košarico za cvrenje kadar je potopljena v vrelo olje. Dodajte živila v košarico. Ne dodajajte živila v vrelo olje. Ne dodajajte čezmerno količino živil v košarico, največja dovoljena količina je 250 g. Za najboljše rezultate in hitrejšo cvrenje, cvrite manjšo količino živil.
POZOR: Pri cvrenju zamrznjenih živil, odstranite košarico iz aparata pred dodajanjem živil, ker bi dodajanje zamrznjenih živil v vrelo olje povzročilo škropljenje vrelega olja in nevarnost opeklin.
PREVIDNO: Pri cvrenju zamrznjene hrane, npr. pomfrita, ne polnite košarice čez oznako “**Max**” na košarici. Odstranite led z zamrznjene hrane pred cvrenjem. V kolikor to ne storite, se lahko zgodi prelivanje vrelega olja kadar živila potopite vanj.
9. Pazljivo vstavite košarico v posodo za olje, tako da ne pride do prelivanja ali škropljenja.
10. Med cvrenjem mora biti pokrov nameščen na fritezo.
11. Kadar končate s cvrenjem, obrnite gumb za temperature na položaj “OFF” in izklopite aparat iz električnega napajanja.
12. Pazljivo odstranite pokrov aparata, tako da ga dvignete navzgor in dlje od sebe, ter dovolite, para uhaja preden popolnoma odstranite pokrov. Ne približujte obraza zgornji strani aparata, da ne bi se ne bi opekli z vrelo paro.
13. Primate ročaj košarice za cvrenje in jo dvignite, ter položite nad posodo za olje, da se odcedi.
14. Kadar se olje odcedi, lahko odstranite košarico in hrano postrežete ali postavite na krožnik.

POZOR: Pred čiščenjem ali spravljanjem friteze, vedno pustite, da se popolnoma ohladi (pribl. 2 uri). Nikoli ne nosite ali premikajte aparata z vrelim oljem.

PREVIDNO: Kovinske površine friteze se med uporabo močno segrejejo. Ne dotikajte se bokov aparata med uporabo.

NAMIGI ZA CVRENJE

1. Za cvrenje vedno uporabljajte košarico.
2. Med cvrenjem mora biti pokrov vedno nameščen. Pokrov pozorno namestite.
3. Kadar je olje predhodno segreto, se bo indikator pripravljenosti prižgal in označil, da je dosežena zelena temperatura.
4. Košarico z živili v vrelo olje vstavite počasi. Prehitro vstavljanje lahko povzroči prelivanje oz. škropljenje vrelega olja.
5. Med cvrenjem je normalno, da s strani pokrova uhaja para.
6. Ne stojte preveč blizu friteze medtem, ko obratuje.
7. Ne mešajte uporabljenega in svežega olja.
8. Redno menjajte olje. Na splošno se olje hitro onesaži pri cvrenju živil, ki vsebuje veliko proteinov (npr. perutnina, meso, riba). Kadar cvrete pretežno krompir in olje filtrirate po vsakem cvrenju, lahko isto olje uporabite od 8 do 10 krat, vendar ne uporabljajte istega olja dlje od 6 mesecev.
9. Kadar pri segrevanju olje začne peniti oz. potemni ali ima žarek vonj oz. sladkast okus, ga obvezno menjajte.
10. Prepričajte se, da so živila, ki jih nameravate cvreti suha. Odstranite delce ledu z zamrznjenih živil pred cvrenjem.
11. Za enakomerno cvrenje, bi morali kosi živil biti podobne velikosti in debeline. Debelejši kosi živil bodo potrebovali več časa za cvrenje.
12. Spodaj navedeni časi cvrenja so samo približne vrednosti za cvrenje polovično napolnjene košarice. Točen čas cvrenja je odvisen od dejanske količine živil, osebne okusa, velikosti in debeline kosov itd.

NASTAVITVE TEMPERATURE

Na splošno uporabljajte nižje temperature za občutljivo hrano (zelenjava, riba) in višje za zamrznjena živila, pomfrit in perutnino.

HRANA	ČAS CVRENJA	TEMPERATURA
Pomfrit	6-9 minut	190°C
Ribji fileti	3-5 minut	150°C
Piščančji kroketi	6-8 minut	170°C
Piščanec v kosih	13-20 minut	170°C
Bučke	3 minute	150°C
Gobe	3 minute	150°C
Čebula	3 minute	150°C
Krofi	3-5 minut	170°C
Jabolka	4 minute	170°C
Kozice	4-6 minut	150°C

NASVETI ZA UPORABO MAŠČOBE V TRDNEM STANJU:

POZOR: Ne vstavljajte trdne maščobe v posodo za olje oz. v košarico.

1. Če uporabljate rastlinsko maščobo v trdnem stanju, jo najprej stopite v ločeni posodi in nato zelo previdno prelijte v posodo za olje.
2. Predhodno uporabljena rastlinska maščoba, ki se je strdila v posodi za olje, mora biti odstranjena in segreta v ločeni posodi pred ponovno uporabo.

POZOR: Če poskusite segreti strjeno maščobo v posodi za olje, obstaja nevarnost, da bo vrela maščoba nenadoma brizgnila odspodaj skozi zgornji strjeni del maščobe.

Uporabljajte le naslednji postopek

Pri topljenju trdne maščobe:

1. Preverite, ali je maščoba segreta na sobno temperaturo. Če je hladna, obstaja večja nevarnost škropljenja.
2. Z vilico previdno preluknjajte maščobo na več mestih.

3. Pri topljenju maščobe, se vedno prepričajte, da je pokrov pravilno nameščen.
4. Obrnite gumb za temperaturo na 150°C.

POMEMBNO: Po priključitvi na električno napajanje se bo prižgal indikator vklopa. Indikator pripravljenosti se bo prižgal kadar maščoba oz. olje v posodi doseže nastavljeno temperaturo.

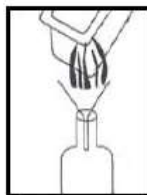
FILTRIRANJE in MENJAVA OLJA

ATTENTION: Pred menjavo olja, čiščenjem ali spravljanjem friteze, preverite ali je izklopljena iz električnega napajanja in ali se je ohladila (približno 2 uri).

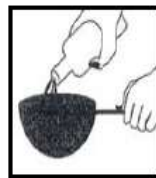
OPOMBA: Olje ni potrebno menjati po vsakem cvrenju. Na splošno se olje hitro onesaži pri cvrenju živil, ki vsebuje veliko proteinov (npr. perutnina, meso, riba). Kadar cvrete pretežno krompir in olje filtrirate po vsakem cvrenju, lahko isto olje uporabite od 8 do 10 krat, vendar ne uporabljajte istega olja dlje od 6 mesecev.

Filtriranje olja:

1. Preverite ali se je olje ohladilo (pribl. 2 uri) in odlijte olje iz posode v drugo posodo ali steklenico. (Slika 3)
2. Pomijte in posušite posodo za olje in košarico.
3. Ponovno napolnite posodo za olje, tako da olje prefiltrirate čez papirni ali kovinski filter. (Slika 4)



Slika



Slika 4

NAVODILA ZA ČIŠČENJE

Za dolgotrajno življenjsko dobo aparata, ga očistite po vsaki uporabi.

POZOR: Pred čiščenjem vedno izklopite aparat iz električne vtičnice. Pustite, da se olje popolnoma ohladi (približno 2 uri) pred čiščenjem.

1. Nikoli ne potaplajte nadzorne plošče, kabla ali vtiča v vodo ali druge tekočine.
2. Nikoli ne vstavlajte nadzorne plošče, kabla ali vtiča stroj za pomivanje posode.
3. Nadzorno ploščo čistite izključno z vlažno krpo.

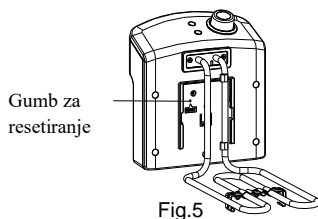
4. Posodo za olje in košarico lahko postavite na zgornjo košaro pomivalnega stroja.
5. Pokrov friteze lahko pomijete z toplo milnico. Ne potaplajte pokrova friteze v tekočino in ga ne pomivajte v stroju.
6. Če želite očistiti permanentni filter, ga odstranite s pokrova in pomijte v vroči milnici. Izperite ga ter popolnoma osušite, preden ga ponovno vstavite v pokrov. Ponovno namestite pokrov na fritezo.
POZOR: Ne pomivajte permanentnega filtra v stroju.

FUNKCIJA RESETIRANJA

Vaša friteza je opremljena s funkcijo resetiranja. Če se iz kateregakoli razloga zgodi, da friteza preneha segrevati, je možno, da je to zaradi tega, ker je sproženo stikalo za resetiranje.

Za ponovni zagon friteze:

1. Izklopite aparat iz električne vtičnice.
2. Pustite, da se aparat in olje v posodi popolnoma ohladita.
3. Kadar se aparat popolnoma ohladi, dvignite nadzorno ploščo in s konico kemičnega ali navadnega svinčnika pritisnite gumb za resetiranje termostata na notranji strani nadzorne plošče (Slika 5)
4. Ponovno vstavite nadzorno ploščo v ohišje in pripravljene ste za ponovno cvrenje.



ODPRAVLJANJE TEŽAV

TEŽAVA	MOŽNI VZROKI	REŠITVE
Friteza ne deluje	<ol style="list-style-type: none"> 1. Nadzorna plošča ni ustrezno nameščena. 2. Aparat ni priklopljen v električno vtičnico. 3. Električna vtičnica nima napona. 4. Sproženo je stikalo za resetiranje. 	<ol style="list-style-type: none"> 1. Ponovno namestite nadzorno ploščo. 2. Priklopite aparat v električno vtičnico. 3. Ponastavite varovalko ali jo zamenjajte. 4. Ugasnite aparat in pustite, da se popolnoma ohladi. Nato odstranite nadzorno ploščo in pritisnite gumb za resetiranje termostata.
Olje preliva iz friteze	<ol style="list-style-type: none"> 1. V posodi za olje je preveč olja. 2. V košarici je preveč živil. 3. Olje je uporabljeno prevečkrat in je začelo peniti. 	<ol style="list-style-type: none"> 1. Ugasnite fritezo. Pustite, da se olje ohladi, in nato odlijte odvečno olje. 2. Odstranite določeno količino živil iz košarice. 3. Ugasnite fritezo. Pustite, da se olje ohladi in zamenjajte uporabljeno olje s svežim.
Hrana je preveč natopljena ali preveč mastna	<ol style="list-style-type: none"> 1. Olje ni dovolj vroče. 2. V košarico ste dodali preveč živil. 	<ol style="list-style-type: none"> 1. Z gumbom za uravnavanje temperature nastavite temperaturo primerno za hrano, ki jo cvrete. 2. Odstranite nekaj hrane iz košarice.
Hrana ni povsem ocvrta	<ol style="list-style-type: none"> 1. Kosi hrane so preveliki. 2. Čas cvrenja ni dovoljšenj. 3. Temperatura olja je previsoka. 	<ol style="list-style-type: none"> 1. Razrežite hrano na manjše kose. 2. Nadaljujte s cvrenjem in stalno preverjajte stanje. 3. Znižajte temperaturo olja in pustite, da se hrana cvre dovolj časa.

Olje peni ali se kadi	1. Olje je preveč krat uporabljeno	1. Pustite, da se izrabljeno olje ohladi in ga menjajte.
------------------------------	------------------------------------	--

OKOLJU PRIJAZNO ODLAGANJE ODPADKOV



Pomagajte zaščititi okolje!
 Prosimo upoštevajte veljavne predpise:
 Odsluženo elektronsko opremo odnesite na
 ustrezno zbirno mesto ali v center za
 recikliranje.

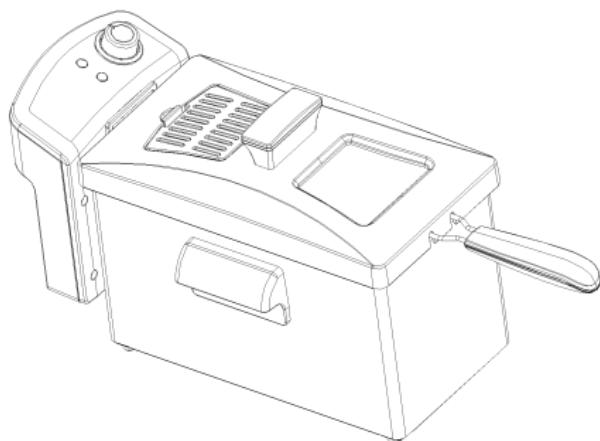




VOX
ELECTRONICS

HRV

KORISNIČKE UPUTE
FT - 5410



Pažljivo pročitajte ove upute prije korištenja i sačuvajte ih za buduću upotrebu.

VAŽNE BEZBJEDONOSNE UPUTE

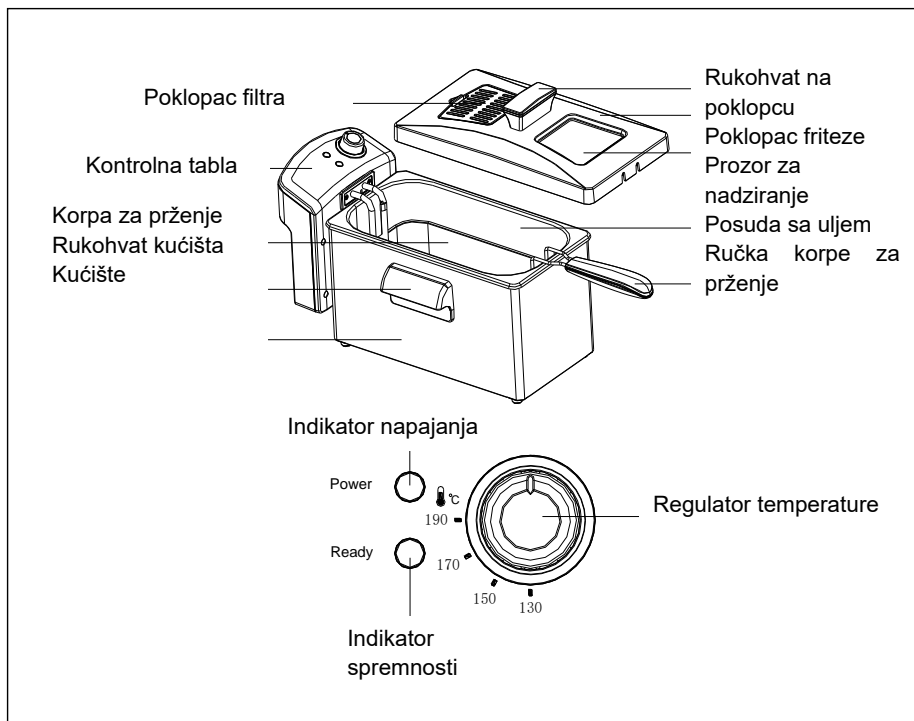
Prilikom korištenja električnih uređaja, neophodno je ispratiti osnovne mjere bezbjednosti, uključujući i sljedeće:

1. Pročitajte sve upute.
2. Ne dodirujte vrelu površinu. Koristite ručke i rukohvate.
3. Da bi se zaštitili od strujnog udara, ne potapajte kabel, utikače ili kućište u vodu ili drugu tekućinu.
4. Neophodan je budan nadzor kada uređaj koriste djeca ili se koristi u blizini djece.
5. Kada se ne koristi i prije čišćenja, izvucite kabel iz napajanja. Prije bilo kakvog skidanja ili montiranja dijelova, i prije čišćenja, morate pustiti uređaj da se ohladi.
6. Ne stavljajte uređaj na meku radnu površinu ili stol pokriven stolnjakom, vodite računa da uređaj koristite na tvrdoj radnoj površini.
7. Nije dozvoljeno korištenje uređaja ukoliko je došlo do oštećenja kabla ili utikača ili poremećaja u radu uređaja, ili je na bilo koji način uređaj oštećen. Odnosite uređaj u najbliži servis na pregled, popravku ili podešavanje.
8. Uporaba dodatka koje nije preporučio proizvođač može prouzrokovati ozljede.
9. Kabel za napajanje ne smije se ostaviti da visi preko ruba stola ili radne površine, ili da dodiruje vrole površine.
10. Nemojte koristiti ovaj uređaj kada mu nedostaje rezervoar za ulje, ulje ili bilo koji drugi materijal, ili kada nema dovoljno ulja.
11. Ne stavljajte uređaj na ili blizu zagrijane plinskog ili električnog štednjaka ili u zagrijanu pećnicu.
12. Neophodan je maksimalan oprez kada se pomijera friteza koja sadrži vrelo ulje.
13. Vodite računa da su ručke adekvatno pričvršćene na korpu i zaključane. Pročitajte detaljne upute o sklapanju uređaja.
14. Prije uporabe, uvijek vodite računa da je rezervoar za ulje pravilno postavljen.
15. Nikada ne povežite fritezu sa izvorom električnog napajanja, a da prethodno ne stavite ulje u rezervoar sa uljem.
16. Ulje u rezervoaru sa uljem je još uvijek vrelo kada se uređaj isključi. Nikada ne pokušavajte da pomjerite fritezu dok se potpuno ne ohladi, podignite rezervoar za ulje

koristeći ručke.

17. Iako se odvojivi rezervoar za ulje može kompletno potopiti u vodu i očistiti, prije naredne uporabe mora biti potpuno suh da bi se izbjegao strujni udar.
18. Nikada ne prepunjujte fritezu uljem. Napunite samo između maksimalne i minimalne razine kao što je navedeno unutar rezervoara sa uljem.
19. Nemojte dodavati hranu sa kristalima leda ili hranu koja je vlažna vreloom ulju.
20. Ovaj uređaj nije namijenjen za uporabu od strane osoba (uključujući djecu) sa smanjenim fizičkim, senzornim ili mentalnim sposobnostima, kao ni od strane osoba sa nedovoljnim iskustvom i znanjem, osim ako im nije dodeljen nadzor ili instrukcije koje se tiču uporabe uređaja od strane osobe odgovorne za njihovu bezbjednost.
21. Djeca moraju biti pod nadzorom da se ne bi igrala sa uređajem.
22. Nakon završetka prženja, uvijek podignite korpu i sačekajte nekoliko sekundi da se smanji pritisak pare.
23. Ne koristite uređaj za bilo koju vrstu uporabe osim one za koju je namijenjen.
24. Ne koristite uređaj napolju.
25. Čuvajte uređaj unutra da biste spriječili kvar električnih dijelova.
26. **UPOZORENJE:** Ozbiljne opekotine od ulja mogu nastati kada se friteza povuče sa radne površine. Vodite računa da kabel za napajanje ne visi preko ruba radne površine gdje ga mogu dohvatiti djeca ili gdje se može upetljati sa korisnikom.
27. Uređaj nije namijenjen za uporabu preko daljinskog tajmera ili odvojenog sustava daljinskog upravljanja.
28. Ovaj uređaj namijenjen je za uporabu u kućanstvu, odnosno za slične namjene, kao što su:
 - Kuhinjske prostorije u prodavnicama, uredima i drugim radnim okruženjima;
 - Seoska domaćinstva;
 - Od strane gostiju u hotelima, motelima i sličnim smještajnim objektima;
 - U objektima za izdavanje na bazi noćenja sa doručkom.
29. Sačuvajte ove upute.

OPIS PROIZVODA



KONTROLNA TABLA

Regulator temperature

Regulator temperature uključuje fritezu i podešava željenu temperaturu za prženje.

Indikator napajanja

Lampica indikatora napajanja svijetli kada je friteza uključena.

Indikator spremnosti

Lampica indikatora spremnosti će se uključiti i isključiti nekoliko puta tokom prženja. Ovo pokazuje da se temperatura održava termostatički.

PRVA UPORABA UREĐAJA

1. Uklonite kompletno pakiranje, etikete i/ili naljepnice sa friteze.

UPOZORENJE: Ne uključujte fritezu kada kontrolna tabla nije instalirana u kućištu friteze. Uključite fritezu samo kada je uređaj potpuno sastavljen, a grijni element uronjen u ulje.

UPOZORENJE: Ne potapajte kontrolnu tablu, kabel ili utikač u vodu.

UPOZORENJE: Ovaj uređaj se ne smije koristiti za zagrijavanje vode.

2. Podignite kontrolnu tablu sa grijnim elementom iz lježišta podižući ih jednom rukom odozdo dok drugom rukom držite kućište friteze.

3. Uklonite rezervoar sa uljem iz tijela friteze.

4. Operite rezervoar sa uljem i korpu za prženje vrućom vodom, neabrazivnom spužvom i sredstvom za pranje ili nekim drugim neotrovnim deterdžentom. Dobro osušite prije upotrebe.

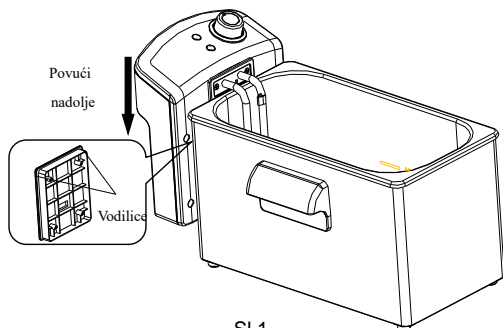
NAPOMENA: Rezervoar za ulje, korpa za prženje, ručka korpe za prženje, stalni filter i poklopac mogu se prati u toploj vodi sa sapunicom.

UPOZORENJE: Ne potapajte kontrolnu tablu, kabel za napajanje, ili utikače u tekućinu bilo koje vrste.

SKLAPANJE FRITIZE

1. Stavite posudu sa uljem u kućište friteze.

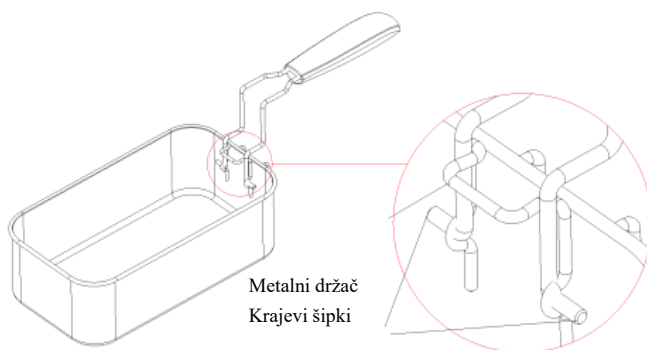
2. Postavite rubove vodilice na kontrolnoj tabli u vodilice montirane na metalnom kućištu (Sl.1).



3. Gurnite rubove vodilica do kraja.

NAPOMENA: Friteza ima automatski sigurnosni prekidač kako bi se osiguralo da uređaj neće raditi ako se kontrolna ploča nije čvrsto umjetnula u vodilice na kućištu friteze.

4. Pričvrstite ručku friteze na korpu friteze tako što ćete stisnuti ručke istovremeno i umjetnuti ih u metalni nosač na korpi. Uvjerite se da je kraj šipki umjetnut u rupe za držače. Podignite ručku nagore da bude u zaključanoj poziciji (Sl. 2).



KORIŠTENJE FRITEZE

UPOZORENJE: Nikada ne uključujte fritezu prije punjenja posude sa uljem. Uvijek se uvjerite da je kontrolna tabla učvršćena u kućište friteze i da je grijni element unutar ulja u rezervoaru za ulje prije uključivanja.

1. Sipajte ulje za kuvanje u rezervoar za ulje, vodeći računa da se nalazi između "Min" i "Max" linija za punjenje u rezervoaru za ulje. ***Nemojte ga nedovoljno napuniti ili prepuniti.*** Razina ulja mora da se održava između minimalne (2.5 litara) i maksimalne razine (3.5 litara) označene unutar rezervoara za ulje.
2. Možete koristiti miješano biljno ulje, kukuruzno ulje ili ulje kanole. ***Nemojte koristiti maslinovo ulje, margarin, mast ili sok od pečenja.*** Nikada ne miješajte staro i novo ulje ili druga ulja i masti.
3. Ako želite da koristite čvrstu masnoću, prvo je morate otopiti, detalji se nalaze u odjeljku "**SAVJETI ZA UPOTREBU ČVRSTE MASTI**".

4. Postavite poklopac na fritezu.

5. Uključite utikač u električnu utičnicu na zidu. Indikator napajanja će zasvijetleti.

PAŽNJA: Nikada ne uključujte kontrolnu tablu kada nije montirana na tijelo friteze. Ne potapajte kontrolnu tablu, kabel za napajanje ili utikač u vodu ili neku drugu tekućinu.

6. Podesite regulator temperature na željenu temperaturu.

7. Indikator spremnosti će se upaliti kada se dostigne željena temperatura.

8. Ne punitite korpu za prženje kada je uronjena u vrelo ulje. Stavite hranu u korpu za prženje. Nemojte ispuštati hranu u vrelo ulje za kuhanje. Nemojte je prepuniti, maksimalno opterećenje je 250g. Za optimalne rezultate i kraće vrijeme prženja, pržite manje količine.

UPOZORENJE: Kada pržite smrznutu hranu, uklonite korpu za prženje iz friteze prije punjenja jer će ulje prskati na sve strane i izazvati opekotine.

PAŽNJA: Kada pržite smrznutu hranu kao što je pomfrit, ne treba prelaziti "max" liniju na korpi za prženje. Očistite led sa smrznute hrane prije prženja. Ukoliko to ne učinite može doći do prelivanja friteze kada se hrana stavi u ulje.

9. Korpu za prženje pažljivo uronite u rezervoar sa uljem da ulje ne bi prskalo na sve strane.
10. Zamijenite poklopac friteze na fritezi tijekom prženja.
11. Kada je vrijeme pripreme gotovo, okrenite regulator temperature u “OFF” poziciju i izvadite utikač iz električne utičnice na zidu.
12. Pažljivo podižite poklopac friteze dižući ga dalje od vas da bi omogućili pari da izađe prije nego što potpuno uklonite poklopac. Držite lice dalje od vrha uređaja da bi izbjegli opekotine od pare koja izlazi.
13. Podignite korpu za prženje držeći je za ručku i stavite je nad posudom za ulje da bi se ulje ocijedilo.
14. Kad se ulje ocijedi iz korpe za prženje, korpu možete podići i služiti hranu u njoj ili je servirati u posudi.

UPOZORENJE: Uvijek pustite da se friteza potpuno ohladi (oko 2 sata) prije čišćenja ili odlaganja. Nikada ne prenosite ili ne pomejrajte uređaj dok je vrelo ulje u njemu.

PAŽNJA: Metalne površine friteze postaju vrole tijekom uporabe. Ne dodirujte strane uređaja dok je u uporabi.

SAVJETI ZA KORIŠTENJE FRITIZE

1. Uvijek koristite korpu za prženje da bi ispržili hranu.
2. Uvijek zatvarajte poklopac tijekom prženja. Pažljivo uklonite poklopac.
3. Kada je ulje unaprijed zagrijano, lampica indikatora spremnosti će se uključiti pokazujući da je željena temperatura dostignuta.
4. Lagano spuštajte korpu za prženje u vrelo ulje. Ako prebrzo spustite korpu za prženje, ulje se može preliti i prskati.
5. Normalno je da para izlazi sa strane poklopca tijekom prženja.
6. Izbjegavajte da stojite suviše blizu friteze dok radi.
7. Ne mješajte nova i stara ulja.
8. Redovno mijenjajte ulje. Generalno, ulje će brzo biti užeglo kada se prži hrana koja sadrži dosta proteina (živina, meso i riba). Kada se ulje koristi za prženje krompira i filtrira se nakon svake uporabe, može se koristiti 8 do 10 puta, ali ne koristite isto ulje duže od 6 mjeseci.

9. Uvijek zamijenite ulje čim počne da se stvara pjena tijekom zagrijavanja, ili kada boja postane tamnija, ili kada ima užegli miris ili okus, ili postane sirupasto.
10. Uvjerite se da je hrana koja se priprema suha. Uklonite led sa zamrznute hrane prije prženja.
11. Da bi se podjednako ispržili, dijelovi hrane moraju biti iste veličine i debljine. Za deblje komade potrebno je više vremena.
12. Navedena vremena kuhanja odnose se samo na približno vrijeme potrebno da se isprži jedna korpa do pola puna. Tačno vrijeme može se razlikovati ovisno od konkretne količine, ličnih preferenci pripremanja hrane, veličine i debljine komada, itd.

PODEŠAVANJA TEMPERATURE

Općenito, koristite niža podešavanja za delikatnu hranu (povrće, riba) i viša podešavanja za smrznutu hranu, pomfrit i piletinu.

HRANA	VRIJEME PRIPREME	TEMPERATURA
Pomfrit	6-9 minuta	190°C
Ribljí fileti	3-5 minuta	150°C
Pileći prsti	6-8 minuta	170°C
Komadi piletine	13-20 minuta	170°C
Pržene tikvice	3 minuta	150°C
Pržene gljive	3 minuta	150°C
Kolutovi crnog luka	3 minuta	150°C
Krofne	3-5 minuta	170°C
Pečene jabuke	4 minuta	170°C
Škampi	4-6 minuta	150°C

SAVJETI ZA KORIŠĆENJE ČVRSTE MASTI

UPOZORENJE: Ne stavljajte čvrstu mast u rezervoar sa uljem ili u korpu za prženje.

1. Ako koristite čvrstu biljnu masnoću, prvo je otopite u odvojenoj posudi, a onda veoma pažljivo sipajte otoplenu masnoću u rezervoar sa uljem.
2. Prethodno korišćenu čvrstu biljnu masnoću, koja se zgrušala i stvrdnula u rezervoaru za ulje, treba ukloniti iz rezervoara za ulje i otopiti u odvojenoj tavi ili šerpi prije ponovne uporabe.

UPOZORENJE: Ako pokušate da rastopite stvrdnutu masnoću u rezervoaru za ulje, postoji opasnost da naglo rastopljena masnoća prsne odozdo kroz čvrsti gornji sloj masti.

Koristite samo sljedeću proceduru

Kada topite čvrstu masnoću u fritezi:

1. Provjerite da li je mast zagrijana na sobnoj temperaturi. Ako je mast hladna, postoji veći rizik od prskanja.
2. Koristeći vilicu, pažljivo napravite rupe u masti.
3. Provjerite da je poklopac **uvijek** čvrsto zavoren dok se masnoća topi.
4. Podesite regulator temperature na 150°C.

VAŽNO: Indikator napajanja zasvijetleće kada se uključi u električnu utičnicu na zidu. Indikator spremnosti zasvijetleće kada mast ili ulje u rezervoaru dostigne izabranu temperaturu.

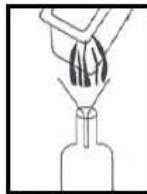
FILTRIRANJE & ZAMJENA ULJA

PAŽNJA: Uvjerite se da je friteza iskopčana iz električne utičnice i da je ulje ohlađeno (oko 2 sata) prije zamjene ulja, ili čišćenja i odlaganja friteze.

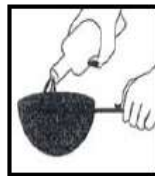
NAPOMENA: Ulje ne treba mijenjati nakon svake uporabe. Općenito, ulje će brzo biti neupotrebljivo kada se prži hrana koja sadrži dosta proteina (živinsko meso, meso i riba). Kada se ulje koristi za prženje krompira i filtrira se nakon svake uporabe, može se koristiti 8 do 10 puta. Međutim, nemojte koristiti isto ulje duže od 6 mjeseci.

Filtriranje ulja:

1. Uvjerite se da je ulje ohlađeno (približno 2 sata) i onda ispraznite ulje iz rezervoara za ulje u drugu posudu ili bocu. (Sl.3).
2. Operite i osušite rezervoar za ulje i korpu za prženje.
3. Napunite rezervoar za ulje uljem tako da ulijete ulje kroz žičanu cjediljku ili papirni filter. (Sl. 4)



Sl.3



Sl.4

UPUTE ZA ČIŠĆENJE

Da biste koristili vaš uređaj tijekom mnogo godina, očistite fritezu nakon svake uporabe.

UPOZORENJE: Uvijek izvucite utikač iz električne utičnice prije čišćenja. Pustite da se friteza i ulje potpuno ohlade (oko 2 sata) prije čišćenja.

1. Nikada ne potapajte kontrolnu tablu, kabel ili utikač u vodu ili neku drugu tekućinu.
2. Ne stavljajte kontrolnu tablu, kabel ili utikač u perilicu posuđa.
3. Kontrolnu tablu obrišite samo vlažnom krpom.
4. Rezervoar za ulje i korpa za prženje mogu se prati na gornjoj polici perilice posuđa.
5. Poklopac friteze može se prati u toploj vodi sa sapunom. Ne stavljajte tijelo friteze u tekućinu ili perilicu posuđa.
6. Da biste očistili trajni filter, izvadite ga iz poklopca i operite ga vrućom vodom sa sapunom. Isperite i dobro osušite prije nego što ga ponovo stavite u poklopac friteze. Zamijenite poklopac filtra.

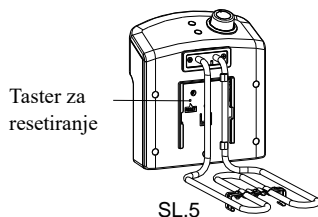
OPREZ: Ne perite trajni filter u perilici posuđa.

FUNKCIJA RESETIRANJA

Vaša friteza ima funkciju resetiranja. Ako iz nekog razloga friteza prestane da se zagrijeva, mogući razlog je da se taster za resetiranje zaglavio.

Resetiranje friteze:

1. Isključite aparat iz električne utičnice u zidu.
2. Pustite da se uređaj i ulje u rezervoaru potpuno ohlade.
3. Nakon što se uređaj potpuno ohladio, podignite kontrolnu tablu i koristeći vrh kemijske ili drvene olovke, gurnite gumb za resetiranje termostata koje se nalazi unutar kontrolne table (Sl. 5)
4. Ponovo pričvrstite kontrolnu tablu na kućište friteze i nastavite prženje.



RJEŠAVANJE PROBLEMA

PROBLEM	MOGUĆI UZROCI	RJEŠENJE
Friteza ne radi	<ol style="list-style-type: none">1. Kontrolna tabla nije pravilno instalirana.2. Utikač nije povezan sa električnom zidnom utičnicom.3. Električna utičnica nije pod naponom.4. Prekidač za resetiranje se zaglavio.	<ol style="list-style-type: none">1. Ponovo pričvrstite kontrolnu tablu.2. Uključite utikač u električnu zidnu utičnicu.3. Resetirajte sigurnosni prekidač ili zamijenite osigurač.4. Isključite uređaj i pustite da se potpuno ohladi. Uklonite kontrolnu tablu i pritisnite taster za resetiranje termostata.
Ulje se prosipa iz friteze	<ol style="list-style-type: none">1. Previše ulja u rezervoaru za ulje.2. Korpa sa hranom je prepunjena.3. Ulje je prečesto korišteno i pjeni.	<ol style="list-style-type: none">1. Isključite fritezu. Neka se ulje potpuno ohladi. Uklonite višak ulja.2. Uklonite višak hrane iz korpe za hranu.3. Isključite fritezu. Neka se ulje

		potpuno ohladi. Napunite rezervoar za ulje novim uljem.
Hrana je gnjecava ili masna	<ol style="list-style-type: none"> 1. Ulje nije dovoljno zagrijano. 2. Korpa za hranu je prepunjena. 	<ol style="list-style-type: none"> 1. Podesite gumb za kontrolu temperature na odgovarajuću temperaturu da bi hrana bila ispržena. 2. Uklonite višak hrane iz korpe za hranu.
Hrana nije potpuno pripremljena	<ol style="list-style-type: none"> 1. Preveliki komadi hrane. 2. Prekratko vrijeme spremanja. 3. Temperatura ulja previsoka. 	<ol style="list-style-type: none"> 1. Isjecite hranu na manje komade. 2. Nastavite prženje i kontinuirano provjeravajte proces pripremanja hrane. 3. Smanjite temperaturu ulja da bi hrana bila potpuno pržena.
Ulje za kuhanje ispušta pjenu ili dim	<ol style="list-style-type: none"> 1. Ulje je prečesto korišteno. 	<ol style="list-style-type: none"> 1. Pustite da se ulje potpuno ohladi i zamijenite novim uljem.

EKOLOŠKO ODLAGANJE



Dajte svoj doprinos očuvanju životne sredine!
Poštujte lokalne propise: odnesite električne uređaje koji se više ne koriste odgovarajućem centru za prihvat elektronskog otpada.



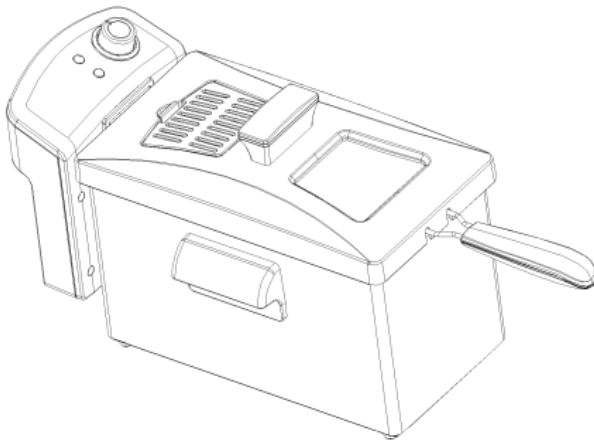


VOX
ELECTRONICS

BIH

MNE

KORISNIČKO UPUTSTVO
FT - 5410



Pažljivo pročitajte ovo uputstvo prije korišćenja i sačuvajte ga za kasniju upotrebu.

VAŽNA BEZBJEDONOSNA UPUTSTVA

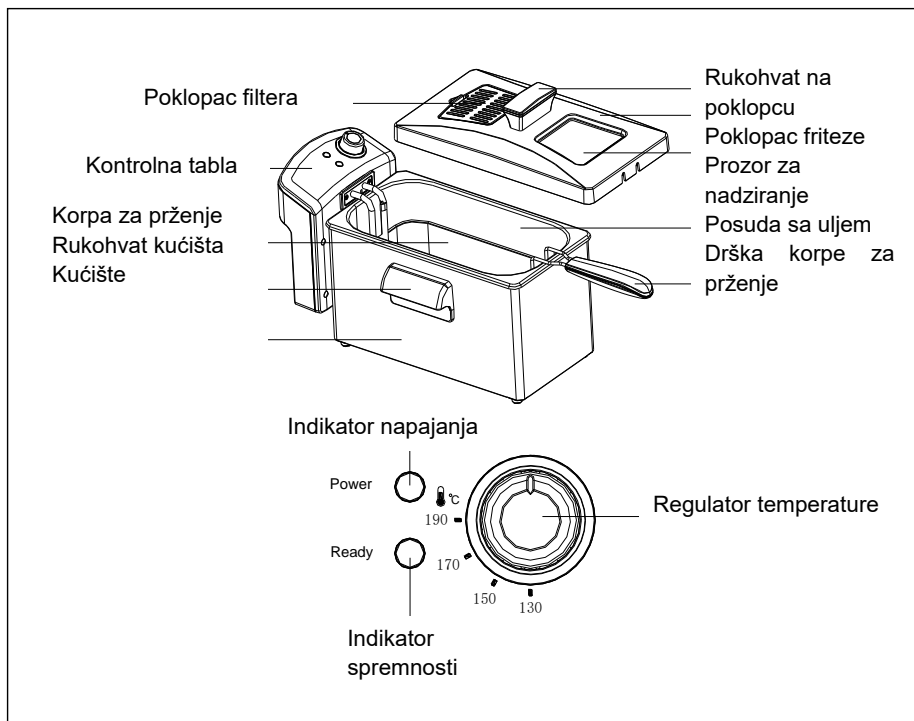
Prilikom korišćenja električnih uređaja, neophodno je ispratiti osnovne mjere bezbjednosti, uključujući i sljedeće:

1. Pročitajte sva uputstva.
2. Ne dodirujte vrelu površinu. Koristite drške i rukohvate.
3. Da bi se zaštitili od strujnog udara, ne potapajte kabl, utikače ili kućište u vodu ili drugu tečnost.
4. Neophodan je budan nadzor kada uređaj koriste djeca ili se koristi u blizini djece.
5. Kada se ne koristi i prije čišćenja, izvucite kabl iz napajanja. Prije bilo kakvog skidanja ili montiranja dijelova, i prije čišćenja, morate pustiti uređaj da se ohladi.
6. Ne stavljajte uređaj na meku radnu površinu ili sto pokriven stolnjakom, vodite računa da uređaj koristite na tvrdoj radnoj površini.
7. Nije dozvoljeno korišćenje uređaja ukoliko je došlo do oštećenja kabla ili utikača ili poremećaja u radu uređaja, ili je na bilo koji način uređaj oštećen. Odnosite uređaj u najbliži servis na pregled, popravku ili podešavanje.
8. Upotreba dodataka koje nije preporučio proizvođač može prouzrokovati povrede.
9. Kabl za napajanje ne smije se ostaviti da visi preko ivice stola ili radne površine, ili da dodiruje vrole površine.
10. Nemojte koristiti ovaj uređaj kada mu nedostaje rezervoar za ulje, ulje ili bilo koji drugi materijal, ili kada nema dovoljno ulja.
11. Ne stavljajte uređaj na ili blizu zagrijane plinske ili električne peći ili u zagrijanu rernu.
12. Neophodan je maksimalan oprez kada se pomera friteza koja sadrži vrelo ulje.
13. Vodite računa da su drške adekvatno pričvršćene na korpu i zaključane. Pročitajte detaljna uputstva o sklapanju uređaja.
14. Prije upotrebe, uvijek vodite računa da je rezervoar za ulje pravilno postavljen.
15. Nikada ne povezuje fritezu sa izvorom električnog napajanja, a da prethodno ne stavite ulje u rezervoar sa uljem.
16. Ulje u rezervoaru sa uljem je još uvijek vrelo kada se uređaj isključi. Nikada ne pokušavajte da pomjerite fritezu dok se potpuno ne ohladi, podignite rezervoar za ulje

koristeći drške.

17. Iako se odvojivi rezervoar za ulje može kompletno potopiti u vodu i očistiti, prije naredne upotrebe mora biti potpuno suv da bi se izbjegao strujni udar.
18. Nikada ne prepunjujte fritezu uljem. Napunite samo između maksimalnog i minimalnog nivoa kao što je navedeno unutar rezervoara sa uljem.
19. Nemojte dodavati hranu sa kristalima leda ili hranu koja je vlažna vreloom ulju.
20. Ovaj uređaj nije namijenjen za upotrebu od strane osoba (uključujući djecu) sa smanjenim fizičkim, senzornim ili mentalnim sposobnostima, kao ni od strane osoba sa nedovoljnim iskustvom i znanjem, osim ako im nije dodeljen nadzor ili instrukcije koje se tiču upotrebe uređaja od strane osobe odgovorne za njihovu bezbjednost.
21. Djeca moraju biti pod nadzorom da se ne bi igrala sa uređajem.
22. Nakon završetka prženja, uvijek podignite korpu i sačekajte nekoliko sekundi da se smanji pritisak pare.
23. Ne koristite uređaj za bilo koju vrstu upotrebe osim one za koju je namijenjen.
24. Ne koristite uređaj napolju.
25. Čuvajte uređaj unutra da biste spriječili kvar električnih dijelova.
26. **UPOZORENJE:** Ozbiljne opekotine od ulja mogu nastati kada se friteza povuče sa radne površine. Vodite računa da kabl za napajanje ne visi preko ivice radne površine gdje ga mogu dohvatiti djeca ili gdje se može upetljati sa korisnikom.
27. Uređaj nije namijenjen za upotrebu preko daljinskog tajmera ili odvojenog sistema daljinskog upravljanja.
28. Ovaj uređaj namijenjen je za upotrebu u domaćinstvu, odnosno za slične namjene, kao što su:
 - Kuhinjske prostorije u prodavnicama, kancelarijama i drugim radnim okruženjima;
 - Seoska domaćinstva;
 - Od strane gostiju u hotelima, motelima i sličnim smještajnim objektima;
 - U objektima za izdavanje na bazi noćenja sa doručkom.
29. Sačuvajte ovo uputstvo.

OPIS PROIZVODA



KONTROLNA TABLA

Regulator temperature

Regulator temperature uključuje fritezu i podešava željenu temperaturu za prženje.

Indikator napajanja

Lampica indikatora napajanja svijetli kada je friteza uključena.

Indikator spremnosti

Lampica indikatora spremnosti će se uključiti i isključiti nekoliko puta tokom prženja. Ovo pokazuje da se temperatura održava termostatički.

PRVA UPOTREBA UREĐAJA

1. Uklonite kompletno pakovanje, etikete i/ili naljepnice sa friteze.

UPOZORENJE: Ne uključujte fritezu kada kontrolna tabla nije instalirana u kućištu friteze. Uključite fritezu samo kada je uređaj potpuno sastavljen, a grijni element uronjen u ulje.

UPOZORENJE: Ne potapajte kontrolnu tablu, kabl ili utikač u vodu.

UPOZORENJE: Ovaj uređaj se ne smije koristiti za zagrijavanje vode.

2. Podignite kontrolnu tablu sa grijnim elementom iz lježišta podižući ih jednom rukom odozdo dok drugom rukom držite kućište friteze.

3. Uklonite rezervoar sa uljem iz tijela friteze.

4. Operite rezervoar sa uljem i korpu za prženje vrućom vodom, neabrazivnom spužvom i sredstvom za pranje ili nekim drugim neotrovnim deterdžentom. Dobro osušite prije upotrebe.

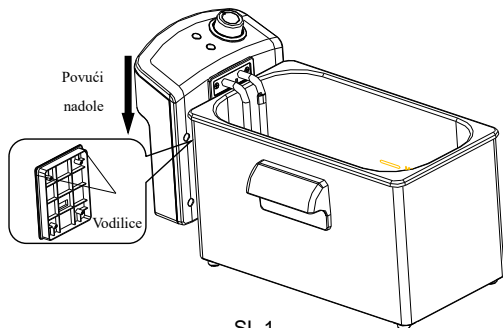
NAPOMENA: Rezervoar za ulje, korpa za prženje, drška korpe za prženje, stalni filter i poklopac mogu se prati u toploj vodi sa sapunicom.

UPOZORENJE: Ne potapajte kontrolnu tablu, kabl za napajanje, ili utikače u tečnost bilo koje vrste.

SKLAPANJE FRITIZE

1. Stavite posudu sa uljem u kućište friteze.

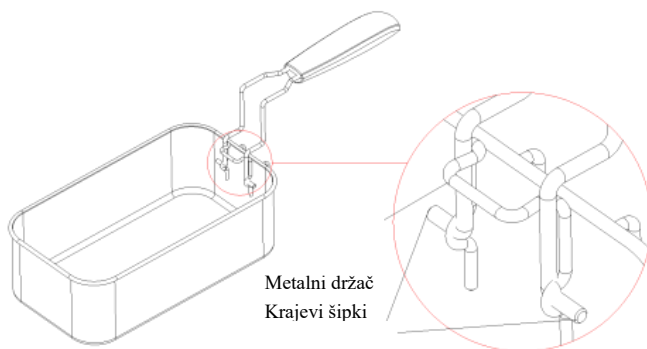
2. Postavite ivice vodilice na kontrolnoj tabli u vodilice montirane na metalnom kućištu (Sl.1).



3. Gurnite ivice vodilica do kraja.

NAPOMENA: Friteza ima automatski sigurnosni prekidač kako bi se osiguralo da uređaj neće raditi ako se kontrolna ploča nije čvrsto umjetnula u vodilice na kućištu friteze.

4. Pričvrstite dršku friteze na korpu friteze tako što ćete stisnuti ručke drške istovremeno i umjetnuti ih u metalni nosač na korpi. Uvjerite se da je kraj šipki umjetnut u rupe za držače. Podignite dršku nagore da bude u zaključanoj poziciji (Sl. 2).



KORIŠĆENJE FRITEZE

UPOZORENJE: Nikada ne uključujte fritezu prije punjenja posude sa uljem. Uvijek se uvjerite da je kontrolna tabla učvršćena u kućište friteze i da je grijni element unutar ulja u rezervoaru za ulje prije uključivanja.

1. Sipajte ulje za kuvanje u rezervoar za ulje, vodeći računa da se nalazi između "Min" i "Max" linija za punjenje u rezervoaru za ulje. **Nemojte ga nedovoljno napuniti ili prepuniti.** Nivo ulja mora da se održava između minimalnog (2.5 litara) i maksimalnog nivoa (3.5 litara) označenog unutar rezervoara za ulje.
2. Možete koristiti miješano biljno ulje, kukuruzno ulje ili ulje kanole. **Nemojte koristiti maslinovo ulje, margarin, mast ili sok od pečenja.** Nikada ne miješajte staro i novo ulje ili druga ulja i masti.
3. Ako želite da koristite čvrstu masnoću, prvo je morate otopiti, detalji se nalaze u odjeljku "**SAVJETI ZA UPOTREBU ČVRSTE MASTI**".
4. Postavite poklopac na fritezu.
5. Uključite utikač u električnu utičnicu na zidu. Indikator napajanja će zasvijetleti.
PAŽNJA: Nikada ne uključujte kontrolnu tablu kada nije montirana na tijelo friteze. Ne potapajte kontrolnu tablu, kabl za napajanje ili utikač u vodu ili neku drugu tečnost.
6. Podesite regulator temperature na željenu temperaturu.
7. Indikator spremnosti će se upaliti kada se dostigne željena temperatura.
8. Ne punitite korpu za prženje kada je uronjena u vrelo ulje. Stavite hranu u korpu za prženje. Nemojte ispuštati hranu u vrelo ulje za kuvanje. Nemojte je prepuniti, maksimalno opterećenje je 250g. Za optimalne rezultate i kraće vrijeme prženja, pržite manje količine.
UPOZORENJE: Kada pržite smrznutu hranu, uklonite korpu za prženje iz friteze prije punjenja jer će ulje prskati na sve strane i izazvati opekotine.
PAŽNJA: Kada pržite smrznutu hranu kao što je pomfrit, ne treba prelaziti "max" liniju na korpi za prženje. Očistite led sa smrznute hrane prije prženja. Ukoliko to ne učinite može doći do prelivanja friteze kada se hrana stavi u ulje.

9. Korpu za prženje pažljivo uronite u rezervoar sa uljem da ulje ne bi prskalo na sve strane.
10. Zamijenite poklopac friteze na fritezi tokom prženja.
11. Kada je vrijeme pripreme gotovo, okrenite regulator temperature u “OFF” poziciju i izvadite utikač iz električne utičnice na zidu.
12. Pažljivo podižite poklopac friteze dižući ga dalje od vas da bi omogućili pari da izađe prije nego što potpuno uklonite poklopac. Držite lice dalje od vrha uređaja da bi izbjegli opekotine od pare koja izlazi.
13. Podignite korpu za prženje držeći je za dršku i stavite je nad posudom za ulje da bi se ulje ocijedilo.
14. Kad se ulje ocijedi iz korpe za prženje, korpu možete podići i služiti hranu u njoj ili je servirati u posudi.

UPOZORENJE: Uvijek pustite da se friteza potpuno ohladi (oko 2 sata) prije čišćenja ili odlaganja. Nikada ne prenosite ili ne pomejrajte uređaj dok je vrelo ulje u njemu.

PAŽNJA: Metalne površine friteze postaju vrole tokom upotrebe. Ne dodirujte strane uređaja dok je u upotrebi.

SAVJETI ZA KORIŠĆENJE FRITIZE

1. Uvijek koristite korpu za prženje da bi ispržili hranu.
2. Uvijek zatvarajte poklopac tokom prženja. Pažljivo uklonite poklopac.
3. Kada je ulje unaprijed zagrijano, lampica indikatora spremnosti će se uključiti pokazujući da je željena temperatura dostignuta.
4. Lagano spuštajte korpu za prženje u vrelo ulje. Ako prebrzo spustite korpu za prženje, ulje se može preliti i prskati.
5. Normalno je da para izlazi sa strane poklopca tokom prženja.
6. Izbjegavajte da stojite suviše blizu friteze dok radi.
7. Ne mješajte nova i stara ulja.
8. Redovno mijenjajte ulje. Generalno, ulje će brzo biti užeglo kada se prži hrana koja sadrži dosta proteina (živina, meso i riba). Kada se ulje koristi za prženje krompira i filtrira se nakon svake upotrebe, može se koristiti 8 do 10 puta, ali ne koristite isto ulje duže od 6 mjeseci.

9. Uvijek zamijenite ulje čim počne da se stvara pjena tokom zagrijavanja, ili kada boja postane tamnija, ili kada ima užegli miris ili ukus, ili postane sirupasto.
10. Uvjerite se da je hrana koja se priprema suva. Uklonite led sa zamrznute hrane prije prženja.
11. Da bi se podjednako ispržili, dijelovi hrane moraju biti iste veličine i debljine. Za deblje komade potrebno je više vremena.
12. Navedena vremena kuvanja odnose se samo na približno vrijeme potrebno da se isprži jedna korpa do pola puna. Tačno vrijeme može se razlikovati zavisno od konkretne količine, ličnih preferenci pripremanja hrane, veličine i debljine komada, itd.

PODEŠAVANJA TEMPERATURE

Generalno, koristite niža podešavanja za delikatnu hranu (povrće, riba) i viša podešavanja za smrznutu hranu, pomfrit i piletinu.

HRANA	VRIJEME PRIPREME	TEMPERATURA
Pomfrit	6-9 minuta	190°C
Ribljí fileti	3-5 minuta	150°C
Pileći prsti	6-8 minuta	170°C
Komadi piletine	13-20 minuta	170°C
Pržene tikvice	3 minuta	150°C
Pržene gljive	3 minuta	150°C
Kolutovi crnog luka	3 minuta	150°C
Krofne	3-5 minuta	170°C
Pečene jabuke	4 minuta	170°C
Škampi	4-6 minuta	150°C

SAVJETI ZA KORIŠĆENJE ČVRSTE MASTI

UPOZORENJE: Ne stavljajte čvrstu mast u rezervoar sa uljem ili u korpu za prženje.

1. Ako koristite čvrstu biljnu masnoću, prvo je otopite u odvojenoj posudi, a onda veoma pažljivo sipajte otoplenu masnoću u rezervoar sa uljem.
2. Prethodno korišćenu čvrstu biljnu masnoću, koja se zgrušala i stvrdnula u rezervoaru za ulje, treba ukloniti iz rezervoara za ulje i otopiti u odvojenoj tavi ili šerpi prije ponovne upotrebe.

UPOZORENJE: Ako pokušate da rastopite stvrdnutu masnoću u rezervoaru za ulje, postoji opasnost da naglo rastopljena masnoća prsne odozdo kroz čvrsti gornji sloj masti.

Koristite samo sljedeću proceduru

Kada topite čvrstu masnoću u fritezi:

1. Provjerite da li je mast zagrijana na sobnoj temperaturi. Ako je mast hladna, postoji veći rizik od prskanja.
2. Koristeći viljušku, pažljivo napravite rupe u masti.
3. Provjerite da je poklopac **uvijek** čvrsto zavoren dok se masnoća topi.
4. Podesite regulator temperature na 150°C.

VAŽNO: Indikator napajanja zasvijetleće kada se uključi u električnu utičnicu na zidu. Indikator spremnosti zasvijetleće kada mast ili ulje u rezervoaru dostigne izabranu temperaturu.

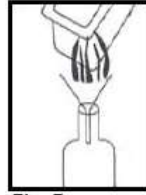
FILTRIRANJE & ZAMJENA ULJA

PAŽNJA: Uvjerite se da je friteza iskopčana iz električne utičnice i da je ulje ohlađeno (oko 2 sata) prije zamjene ulja, ili čišćenja i odlaganja friteze.

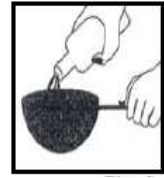
NAPOMENA: Ulje ne treba mijenjati nakon svake upotrebe. Generalno, ulje će brzo biti neupotrebljivo kada se prži hrana koja sadrži dosta proteina (živinsko meso, meso i riba). Kada se ulje koristi za prženje krompira i filtrira se nakon svake upotrebe, može se koristiti 8 do 10 puta. Međutim, nemojte koristiti isto ulje duže od 6 mjeseci.

Filtriranje ulja:

1. Uvjerite se da je ulje ohlađeno (približno 2 sata) i onda ispraznite ulje iz rezervoara za ulje u drugu posudu ili bocu. (Sl.3).
2. Operite i osušite rezervoar za ulje i korpu za prženje.
3. Napunite rezervoar za ulje uljem tako da ulijete ulje kroz žičanu cjediljku ili papirni filter. (Sl. 4)



Sl.3



Sl.4

UPUTSTVA ZA ČIŠĆENJE

Da biste koristili vaš uređaj tokom mnogo godina, očistite fritezu nakon svake upotrebe.

UPOZORENJE: Uvijek izvucite utikač iz električne utičnice prije čišćenja. Pustite da se friteza i ulje potpuno ohlade (oko 2 sata) prije čišćenja.

1. Nikada ne potapajte kontrolnu tablu, kabl ili utikač u vodu ili neku drugu tečnost.
2. Ne stavljajte kontrolnu tablu, kabl ili utikač u mašinu za pranje sudova.
3. Kontrolnu tablu obrišite samo vlažnom krpom.
4. Rezervoar za ulje i korpa za prženje mogu se prati na gornjoj polici mašine za pranje sudova.
5. Poklopac friteze može se prati u toploj vodi sa sapunom. Ne stavljajte tijelo friteze u tečnost ili mašinu za pranje sudova.
6. Da biste očistili trajni filter, izvadite ga iz poklopca i operite ga vrućom vodom sa sapunom. Isperite i dobro osušite prije nego što ga ponovo stavite u poklopac friteze. Zamijenite poklopac filtera.

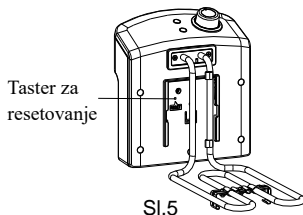
OPREZ: Ne perite trajni filter u mašini za pranje sudova.

FUNKCIJA RESETOVANJA

Vaša friteza ima funkciju resetovanja. Ako iz nekog razloga friteza prestane da se zagrijeva, mogući razlog je da se taster za resetovanje zaglavio.

Resetovanje friteze:

1. Isključite aparat iz električne utičnice u zidu.
2. Pustite da se uređaj i ulje u rezervoaru potpuno ohlade.
3. Nakon što se uređaj potpuno ohladio, podignite kontrolnu tablu i koristeći vrh hemijske ili drvene olovke, gurnite dugme za resetovanje termostata koje se nalazi unutar kontrolne table (Sl. 5)
4. Ponovo pričvrstite kontrolnu tablu na kućište friteze i nastavite prženje.



RJEŠAVANJE PROBLEMA

PROBLEM	MOGUĆI UZROCI	RJEŠENJE
Friteza ne radi	<ol style="list-style-type: none">1. Kontrolna tabla nije pravilno instalirana.2. Utikač nije povezan sa električnom zidnom utičnicom.3. Električna utičnica nije pod naponom.4. Prekidač za resetovanje se zaglavio.	<ol style="list-style-type: none">1. Ponovo pričvrstite kontrolnu tablu.2. Uključite utikač u električnu zidnu utičnicu.3. Resetujte sigurnosni prekidač ili zamijenite osigurač.4. Isključite uređaj i pustite da se potpuno ohladi. Uklonite kontrolnu tablu i pritisnite taster za resetovanje termostata.
Ulje se prosipa iz friteze	<ol style="list-style-type: none">1. Previše ulja u rezervoaru za ulje.2. Korpa sa hranom je prepunjena.3. Ulje je prečesto korišćeno i pjeni.	<ol style="list-style-type: none">1. Isključite fritezu. Neka se ulje potpuno ohladi. Uklonite višak ulja.2. Uklonite višak hrane iz korpe za hranu.3. Isključite fritezu. Neka se ulje

		potpuno ohladi. Napunite rezervoar sa uljem novim uljem.
Hrana je gnjecava ili masna	<ol style="list-style-type: none"> 1. Ulje nije dovoljno zagrijano. 2. Korpa za hranu je prepunjena. 	<ol style="list-style-type: none"> 1. Podesite dugme za kontrolu temperature na odgovarajuću temperaturu da bi hrana bila ispržena. 2. Uklonite višak hrane iz korpe za hranu.
Hrana nije potpuno pripremljena	<ol style="list-style-type: none"> 1. Preveliki komadi hrane. 2. Prekratko vrijeme spremanja. 3. Temperatura ulja previsoka. 	<ol style="list-style-type: none"> 1. Isjecite hranu na manje komade. 2. Nastavite prženje i kontinuirano provjeravajte proces pripremanja hrane. 3. Smanjite temperaturu ulja da bi hrana bila potpuno pržena.
Ulje za kuvanje ispušta pjenu ili dim	<ol style="list-style-type: none"> 1. Ulje je prečesto korišćeno. 	<ol style="list-style-type: none"> 1. Pustite da se ulje potpuno ohladi i zamijenite novim uljem.

EKOLOŠKO ODLAGANJE



Dajte svoj doprinos očuvanju životne sredine!
Poštujte lokalne propise: odnesite električne uređaje koji se više ne koriste odgovarajućem centru za prihvat elektronskog otpada.

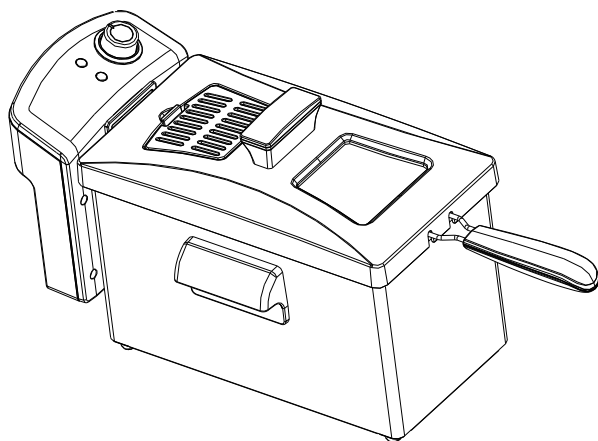




VOX
ELECTRONICS

МКД

КОРИСНИЧКО УПАТСТВО FT - 5410



Темелно прочитајте го овој прирачник пред да ја користите фритезата и
зачувајте го за понатамошна референца

ВАЖНИ БЕЗБЕДНОСНИ ПРЕДУПРЕДУВАЊА

Кога користете електрични уреди, основни мерки на претпазливост треба да се земат во предвид, вклучувај ги следните:

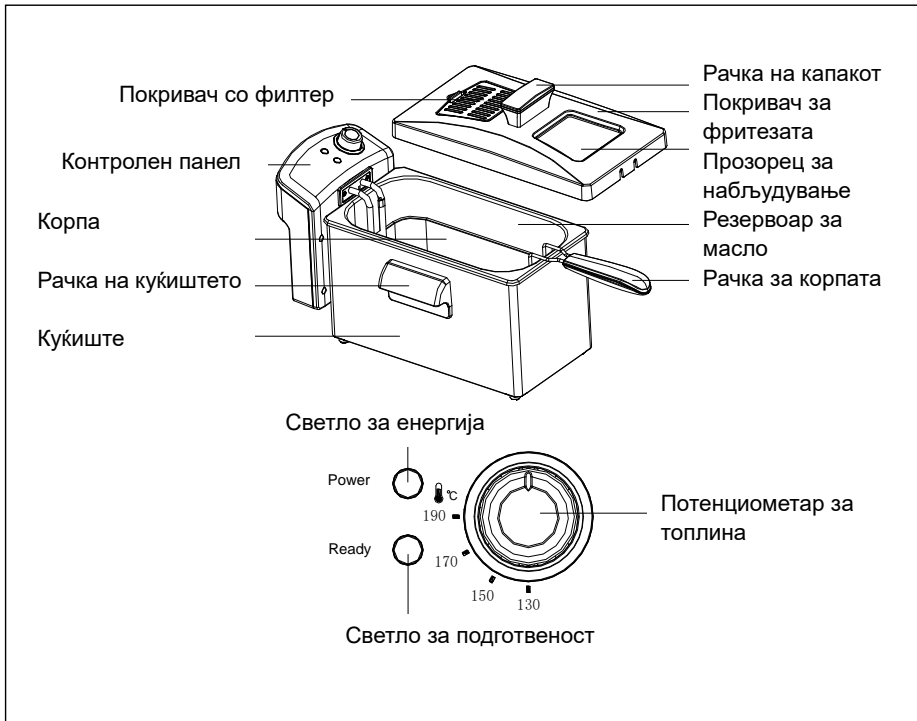
1. Прочитајте ги сите инструкции.
2. Не допирајте ги жешките површини. Користете ги рачките.
3. За да се заштитите од електричен шок не потопувајте го кабелот, приклучокот за струја, или куќиштето во вода или други течности.
4. Близок надзор е неопходен кога уредот се користи од страна или во близина на деца.
5. Исклучете го уредот од струја пред складирање или чистење. Дозволете уредот да се олади пред да додавате или отстранувате делови, и при чистење на уредот.
6. Не го поставувајте уредот на мека површина или на маса покриена со чаршаф, осигурете се дека уредот работи на цврста површина.
7. Не користете никаков уред со оштетен кабел или приклучок за струја или откако уредот здобие дефект, или е оштетен на било каков начин. Вратете го уредот во најблискиот авторизиран сервис центар за проверка, поправка или прилагодување.
8. Употребата на додатоци кои не се препорачани од производителот на уредот може да доведе до повреди.
9. Не дозволувајте кабелот да виси од маса или површината на која е поставен уредот, или да се допира до жешки површини.
10. Не го користете уредот без масло во резервоарот, масло или други материјали, или ако нивото на масло не е доволно.
11. Не поставувајте го блиску до гас, електрични печки, или во рерна.
12. Мора да се внимава многу кога се поместува фритеза што содржи топло масло.
13. Осигурете се дека рачките се правилно прицврстени за корпата и заклучени на место. Погледнете ги деталните инструкции за составување.
14. Пред употреба, секогаш проверете дали садот за масло е правилно поставен.
15. Никогаш не поврзувајте ја фритезата со струја се додека не ставете масло во резервоарот.

16. Маслото во резервоарот ќе биде сеуште топло откако уредот ќе биде исклучен. Никогаш не пробувајте да ја поместувате вашата фритеза додека не се целосно олади, подигнете го резервоарот за масло користејќи ја рачката.
17. Иако резервоарот за масло можете да го отстранете и потполно да го потопете во вода, мора да биде целосно исушен пред да го вратите назад и да го вклучите уредот за да избегнете електричен шок.
18. Никогаш не ја преполнувајте со масло фритезата. Полнете само помеѓу минималното и максималното ниво, како што е наведено во внатрешноста на резервоарот за масло.
19. Не ставајте храна со ледени кристали, или ако е мокра во топлото масло.
20. Овој уред не е наменет за употреба од страна на лица (вклучувајќи и деца) со намалени физички, сензорни или ментални способности или со недостаток на искуство и знаење, освен ако тие се под надзор или имаат добиено инструкции за користење на уредот од страна на лице одговорно за нивната безбедност.
21. Децата треба да бидат под надзор за да тие не си играат со уредот.
22. Кога ќе завршите со готвењето, секогаш подигнете ја корпата и почекајте неколку секунди за да дозволете да се ослободи пареата.
23. Не користете го уредот за цели надвор од неговата функција.
24. Не користете го уредот на отворено.
25. Чувајте го уредот во затворен простор за да се спречи оштетување на електронските компоненти.
26. **ПРЕДУПРЕДУВАЊЕ:** Сериозни изгореници од топло масло може да резултираат од превртување на фритезата од површината на која е поставена. Не дозволувајте кабелот за напојување да виси од работ на масата, каде што може да го повлечат деца или да се заплетка со корисникот.
27. Уредот не е наменет да се употребува со надворешни тајмери или посебни системи за далечинска контрола.
28. Овој уред е наменет за употреба во домаќинства и слично како што се:
 - Кујнски простории на персоналот во продавници, канцеларии и други работни средини;

- Фарми;
- Од страна на клиенти во хотели, мотели и други станбени околина;
- Во околина од типот ноќевање со појадок.

29. Зачувајте ги овие инструкции.

ОПИС НА ПРОИЗВОДОТ



КОНТРОЛЕН ПАНЕЛ

Потенциометарот за топлина

Потенциометарот за топлина ја вклучува фритезата и ја поставува посакуваната температура за готвење.

Светилката за енергија

Светилката за енергија се вклучува кога уредот работи.

Светло за подготвеност

Светло за подготвеност ќе се вклучува и исклучува повеќе пати додека работи уредот.

Ова означува дека температурата се регулира со помош на термостатот.

КОРИСТЕЊЕ ЗА ПРВ ПАТ

1. Отстранете го целиот материјал за пакување, налепници и/или натписи од фритезата.

ПРЕДУПРЕДУВАЊЕ: Не ја приклучувајте фритезата кога контролната плоча не е инсталирана во телото на фритезата. Вклучувајте ја фритезата само кога уредот е целосно монтиран и грејачот е потопен во масло.

ПРЕДУПРЕДУВАЊЕ: Не го потопувајте контролниот панел, кабелот и приклучокот за струја во вода.

ПРЕДУПРЕДУВАЊЕ: Овој уред не треба да се користи за загревање на вода.

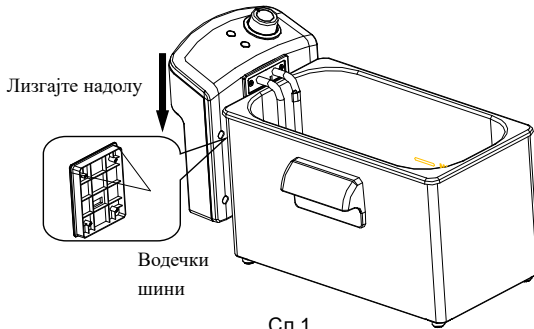
2. Подигнете ги контролната табла со грејачот од нивните лежишта со повлекување нагоре од дното со една рака додека го држете телото на фритезата со другата рака.
3. Отстранете го резервоарот за масло од телото на фритезата.
4. Измијте го резервоарот за масло и корпата за пржење со топла вода, не абразивен сунѓер и течност за миење садови или друг не-отровен детергент. Пред употреба добро да се исуши.

ЗАБЕЛЕШКА: Резервоарот за масло, корпата за пржење, рачката за корпата, филтерот и капакот можат да се мијат со млака вода.

ПРЕДУПРЕДУВАЊЕ: Не го потопувајте контролниот панел, кабелот и приклучокот за струја во било каква течност.

СОСТАВУВАЊЕ НА ФРИТЕЗАТА

1. Поставете го резервоарот за масло во куќиштето на фритезата.
2. Вметнете ги краевите на контролниот панел во водечките шини монтирани на металното тело (Сл.1).

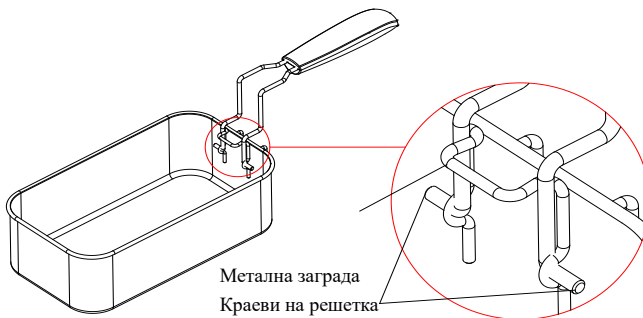


Сл.1

3. Лизгајте ги до крајот на шините.

ЗАБЕЛЕШКА: Фритезата има автоматски безбедносен прекинувач за да се осигура дека уредот нема да работи, во случај ако контролната плоча не е правилно вметната во водечките шините на телото на фритезата.

4. Прицврстете ја рачката на корпата за корпата со притискање на рачките во кутијата и вметнување ги во металната заграда на кошот. Осигурете се дека крајот на шипки е вметнат во дупките на држачот. Подигнете ја рачката за да се заклучи на своето место (Сл. 2).



Сл.2

КОРИСТЕЊЕ НА ФРИТЕЗАТА

ПРЕДУПРЕДУВАЊЕ: Никогаш не ја приклучувајте фритезата пред да го наполните резервоарот за масло со масло. Секогаш проверувајте дали контролната плоча е правилно поставена во куќиштето на фритезата и дека грејниот елемент е внатре во маслото во резервоарот за масло, пред да го приклучите уредот во струја.

1. Ставете го маслото за готвење во резервоарот за масло, уверувајќи дека тоа е помеѓу линиите за полнење "**Мин**" и "**Макс**" во контејнерот за масло. **Не полнете премалку или премногу.** Нивото на маслото мора да се одржува помеѓу минимум (2,5 литри) и максималните нивоа (3,5 литри) означени во садот за масло.
2. Можете да го користите мешавина од растително масло, пченкарно масло или масло од канола. **Не користете маслиново масло, маргарин, маст или капки.** Никогаш не мешајте старо и ново масло заедно или различни масла и масти.
3. Ако сакате да користите цврста маст, прво мора да се стопи, деталите се однесуваат на делот од "**СОВЕТИ ЗА УПОТРЕБА НА ЦВРСТИ МАСТИ**".
4. Поставете го капакот на фритезата.
5. Вклучете го приклучокот за струја. Светилката за енергија треба да засвети.

ПРЕДУПРЕДУВАЊЕ: Никогаш не приклучувајте ја контролната табла кога не е монтирана во телото на фритезата. Не ја потопувајте контролната табла, кабелот за напојување или приклучокот во вода или која било друга течност.

6. Завртете го потенциометарот за топлина на посакуваната температура.
6. Светилката за подготвеност ќе засвети кога избраната температура ќе биде постигната.
8. Не ја полнете корпата за пржење кога е потопена во топлото масло. Ставете ја храната во кошницата за пржење. Не ја испуштајте храната во топлото масло за готвење. Не преполнувајте и максималното оптоварување е 250g. За оптимални резултати и пократко време на пржење, пржете по помали количини.

ПРЕДУПРЕДУВАЊЕ: Кога пржете замрзната храна, отстранете ја корпата од фритезата пред да ја наполните затоа што масло ќе прска и може да предизвика

изгореници.

ВНИМАНИЕ: Кога пржете замрзната храна, како што е помфрит, не треба да ја надминувате линијата "Макс" за полнење на корпата. Исчистете го мразот од замрзнатата храна пред пржење. Ако не го сторите тоа, може да предизвика фритезата да прелее кога храната ќе се става во маслото.

9. Внимателно спуштете ја корпата во резервоарот за масло за да не дојде до прскање маслото.
10. Ставете го капакот на фритезата додека пржи.
11. Кога периодот за готвење е завршен, свртете ја контролата на температурата во положба "OFF" и извадете го приклучокот за струја од сидниот штекер.
12. Внимателно отстранете го капакот на фритезата, кревајќи го подалеку од вас, за да дозволите пареата да излезе пред целосно да го отстраните капакот. Чувајте го лицето подалеку од врвот на апаратот за да избегнете изгореници предизвикани од пареата која се испушта.
13. Подигнете ја корпата за пржење за рачката и ставете ја на садот за масло за да дозволите маслото да се исцеди.
14. Откако маслото ќе се исцеди од корпата за пржење, корпата може да се извади и храната да се служи или да се стави во сад.

ПРЕДУПРЕДУВАЊЕ: Секогаш оставете ја фритезата целосно да се олади (приближно 2 часа) пред чистење или складирање. Никогаш не носете го или не преместувајте го уредот со топло масло внатре.

ВНИМАНИЕ: Металните површини стануваат топли додека работи уредот. Не го допирајте уредот од страна додека работи.

СОВЕТИ ЗА ПРЖЕЊЕ

1. Секогаш користете ја корпата за пржење.
2. Секогаш користете го капакот додека пржите. Постававајте го капакот внимателно.
3. Кога маслото е претходно загреано, индикаторот за спремност ќе се вклучи што означува дека посакуваната температура е постигната.

4. Полека и внимателно спуштајте ја корпата во маслото. Во случај на пребрзо спуштање може да дојде до прелевање или прскање на маслото.
5. Нормално е во текот на пржењето од страните на капакот да излегува пара.
6. Избегнете да стоите премногу блиску до уредот додека работи.
7. Не мешајте стари и нови масла заедно.
8. Менувајте го маслото регуларно. Најчесто, маслото ќе се загади за кратко време кога пржете во него високо протеинска храна (како живина, месо и риба). Кога маслото се користи исклучиво за пржење на компири и се филтрира после секоја употреба, може да се користи 8 до 10 пати, но немојте да го користите истото масло подолго од 6 месеци.
9. Секогаш заменете го целото масло веднаш штом почне да прави пена кога ќе се загрее или кога бојата ќе стане темна, или кога има мирис или вкус или ќе стане во вид на сируп.
10. Осигурете се дека храната што сакате да ја пржите е сува. Отстранете го ледот од замрзнатата храна пред пржење.
11. За да готвите рамномерно, парчињата треба да бидат со иста големина и дебелина. Подебелите парчиња ќе треба подолго да се готват.
12. Следните времиња на готвење одразуваат само приближното време потребно за пржење на една половина полна корпа. Точното време може да биде различно во зависност од количината, личните параметри за готвење, големината и дебелината на парчињата итн.

ПОСТАВУВАЊЕ НА ТЕМПЕРАТУРА

Во принцип, користете пониски температури за деликатна храна (зеленчук, риба) и повисоки за замрзната храна, помфрит и пилешко.

ХРАНА	ВРЕМЕ НА ГОТВЕЊЕ	ТЕМПЕРАТУРА
Помфрит	6-9 минути	190°C
Рибни филети	3-5 минути	150°C
Пилешки прсти	6-8 минути	170°C

Парчиња пилешко	13-20 минути	170°C
Пржени тиквички	3 минути	150°C
Пржени печурки	3 минути	150°C
Кромид	3 минути	150°C
Крофни	3-5 минути	170°C
Јаболкови пита	4 минути	170°C
Ракчиња	4-6 минути	150°C

СОВЕТИ ЗА КОРИСТЕЊЕ НА ЦВРСТИ МАСЛА:

ПРЕДУПРЕДУВАЊЕ: Не ставајте цврсти растителни масло во резервоарот за масло или корпата за пржење.

1. Ако користете цврсти зеленчукови масла, прво стопете ги во посебен сад, а потоа многу внимателно истурете ја стопената маст во резервоарот за масло.
2. Претходно користеното стврднато масло од зеленчук, кое е стврднато во резервоарот за масло треба да се отстрани од резервоарот за масло и да се стопи во посебен сад пред повторно да се користи.

ПРЕДУПРЕДУВАЊЕ: Ако се обидете да ја топите зацврстената маст во резервоарот за масло, постои ризик од топло стопена маст одеднаш да се распрска одоздола преку тврдиот слој на маснотиите.

Користете ги само следниве процедури

Кога топите цврсти масти во фритезата:

1. Осигурете се дека маснотиите се на собна температура. Ако маснотиите се ладни, тогаш постои поголем ризик од прскање.
2. Користејќи виљушка, внимателно направете дупчиња во маслото.
3. **Секогаш** осигурете се дека капакот е добро затворен додека топите масти во фритезата.
4. Поставете ја температурата на 150°C.

ВАЖНО: Светлото за напојување ќе свети откако ќе го приклучите штекерот за струја. Светлото за подготвеност ќе засвети кога маснотиите или маслото во резервоарот ќе ја достигнат избраната температура.

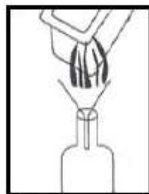
ФИЛТРИРАЊЕ И ЧИСТЕЊЕ НА МАСЛОТО

ВНИМАНИЕ: Проверете дали фритезата е исклучен од штекерот за струја и маслото е изладено (околу 2 часа) пред да го смените маслото, или да ја чистите и складирате фритезата.

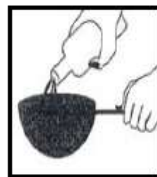
ЗАБЕЛЕШКА: Маслото не треба да се менува по секоја употреба. Во принцип, маслото ќе биде извалкано прилично брзо кога ќе се пржи храна која содржи многу протеини (како живина, месо или риба). Кога маслото главно се користи за пржење компири и се филтрира по секоја употреба, може да се користи 8 до 10 пати. Сепак, не го користете истото масло подолго од 6 месеци.

ФИЛТРИРАЊЕ НА МАСЛОТО:

1. Осигурете се дека маслото е изладено (околу 2 часа) потоа испразнете го маслото од резервоарот за масло во друг контејнер или шише. (Сл.3)
2. Измијте и исушете ги резервоарот и корпата.
3. Повторно наполнете го резервоарот со масло налевајќи преку цедка или хартиен филтер. (Сл. 4)



Сл.3



Сл.4

ИНСТРУКЦИИ ЗА ЧИСТЕЊЕ

За да обезбедите долг работен век од уредот, чистете ја вашата фритеза после секоја употреба.

ПРЕДУПРЕДУВАЊЕ: Пред чистење мора секогаш да го извадите приклучокот од сидниот штекер. Оставете ја фритезата и маслото целосно да се изладат (околу 2 часа) пред да се исчистат.

1. Никогаш не потопувајте ја контролната табла, кабелот или приклучокот во вода

или било која друга течност.

2. Не поставувајте ја контролната табла, кабелот или приклучокот во машината за миење садови.
3. Исчистете ја контролната табла само со влажна крпа.
4. Резервоарот за масло и корпата за пржење може да се измијат на горната решетка на машина за миење садови.
5. Капакот за фритезата може да се мие во топла вода со сапун. Не го ставајте телото на фритезата во течноста или машината за миење садови.
6. За чистење на постојаниот филтер, извадете го од капакот и измијте го во топла вода со сапуница. Исплакнете и исушете добро пред повторно да го вметнете во капакот за фритезата. Заменете го капакот на филтерот.

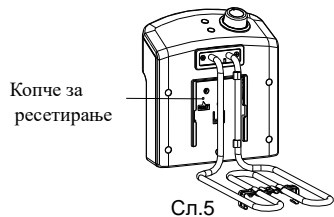
ВНИМАНИЕ: Немојте да го перете филтерот во машина за перење садови.

ФУНКЦИЈАТА ЗА РЕСЕТИРАЊЕ

Вашата фритеза е опремен со функција за ресетирање. Ако поради некоја причина фритезата престане да загрева, причината може да биде дека прекинувачот за ресетирање се заплетка.

За да ја ресетирате фритезата:

1. Исклучете го уредот од штекерот.
2. Дозволете уредот и маслото во него целосно да се оладат.
3. Откако уредот целосно ќе се излади, подигнете ја контролната табла и користејќи го врвот на пенкало или молив, притиснете го копчето за ресетирање на термостатот што се наоѓа на внатрешноста на контролната табла (Сл. 5)



4. Поставете ја контролната табла на куќиштето на фритезата и потоа продолжете со пржење.

РЕШАВАЊЕ ПРОБЛЕМИ

ПРОБЛЕМ	МОЖНО	ПРИЧИНА
Фритезата не функционира	<ol style="list-style-type: none"> 1. Контролниот панел не е добро поставен. 2. Приклучокот за струја не е вклучен во штекерот. 3. Штекерот нема довод на електрична енергија. 4. Копчето за ресетирање е притиснато. 	<ol style="list-style-type: none"> 1. Повторно прикачете го контролниот панел 2. Вметнете го приклучокот во сидниот штекер. 3. Ресетирајте го прекинувачот или заменете го осигурувачот. 4. Исклучете го уредот и дозволете целосно да се олади. <p>Потоа отстранете ја контролната табла и притиснете го копчето за ресетирање на термостатот.</p>
Масло прска надвор од фритезата	<ol style="list-style-type: none"> 1. Премногу масло во резервоарот за масло. 2. Корпата за храна е преполнета. 3. Маслото е користено премногу долго и создава пена. 	<ol style="list-style-type: none"> 1. Исклучете ја фритезата. Дозволете маслото да се олади целосно и отстранете дел од маслото. 2. Отстранете дел од храната во корпата. 3. Исклучете ја фритезата. Дозволете маслото да се олади целосно и заменете го со ново.
Храната е водена или има впиено премногу масло	<ol style="list-style-type: none"> 1. Маслото не е доволно загреано. 2. Корпата за храна е преполнета. 	<ol style="list-style-type: none"> 1. Поставете ја соодветната температура за храната што ја подготвувате. 2. Отстранете дел од храната во корпата.

<p>Храната не е зготвена целосно</p>	<ol style="list-style-type: none"> 1. Парчињата храна се преголеми. 2. Времето на готвење е кратко. 3. Температурата на маслото е превисока. 	<ol style="list-style-type: none"> 1. Исечете ја храната на помали парчиња. 2. Продолжете со пржењето и активно набљудувајте го процесот. 3. Намалете ја температурата на маслото за да дозволете храната да се зготви целосно.
<p>Маслото за готвење создава пена или чад</p>	<ol style="list-style-type: none"> 1. Маслото е премногу често користено. 	<ol style="list-style-type: none"> 1. Дозволете маслото да се олади целосно и заменете го со ново.

ЕКОЛОШКО ОТСТРАНУВАЊЕ



Можете да помогнете во заштитата на животната средина!

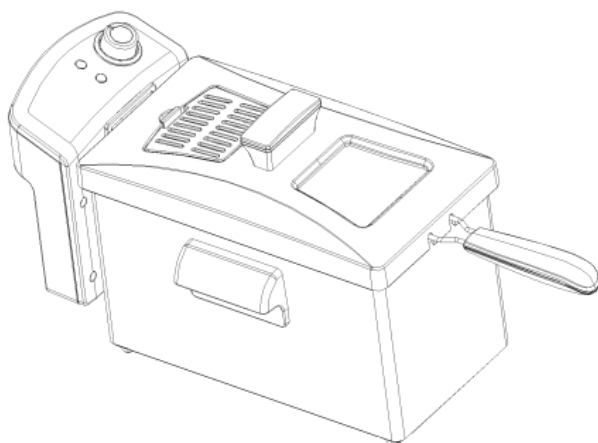
Ве молиме запомнете да ги почитувате локалните регулативи: предадете ги неисправните електрични уреди во соодветен центар за отстранување на отпадот.



VOX
ELECTRONICS

ALB

UDHËZIM PËR PËRDORIM
FT - 5410



Lexoni këtë udhëzim me kujdes para përdorimit dhe ruane për përdorim të mëtejshëm.

UDHËZIME TË RËNDËSISHME TË SIGURISË

Gjatë përdorimit të pajisjeve elektrike, është domosdoshme që të ndiqni masat themelore të sigurisë, duke përfshirë si në vazhdim:

1. Lexoni të gjitha udhëzimet.
2. Mos e prekni sipërfaqen e nxehtë. Përdorni mbajtëset.
3. Për t'u mbrojtur nga goditja elektrike, mos e futni prizën ose shtëpizën në ujë ose në ndonjë lëng tjetër.
4. Nevojitet mbikëqyrje e vazhdueshme nëse pajisjen e përdorin fëmijët ose nëse përgatitet në afërsi të fëmijëve.
5. Nëse nuk jeni duke e përdorur pajisjen, para pastrimit hiqeni kabllin nga rryma. Para çdo heqje ose montimi të pjesëve, duhet ta lini pajisjen që të ftohet.
6. Mos e lini pajisjen në sipërfaqe të butë të punës ose mbi tavolinë të mbuluar me mbulesë, bëni kujdes që pajisjen ta përdorni në sipërfaqe të fortë pune.
7. Nuk lejohet përdorimi i pajisjes nëse është dëmtuar kablli ose priza ose nëse pajisja është çrregulluar, ose është dëmtuar në çfarëdo mënyre. Pajisjen dërgone në servisën më të afërt për verifikim, riparim ose montim.
8. Përdorimi i shtojcave të cilat nuk i ka rekomanduar prodhuesi mund të shkaktojnë lëndime.
9. Kabllin për furnizim nuk guxon ta lini që të varet nga tehu i tavolinës ose sipërfaqja e punës, ose të prekë sipërfaqet e ngrohta.
10. Mos e përdorni këtë pajisje nëse i mungon rezervoari i vajit ose çfarëdo materiali tjetër, ose kur nuk ka vaj të mjaftueshëm.
11. Mos e lini pajisjen në ose afër stufës elektrike ose me gaz ose në furrë të ngrohur.
12. Nevojitet kujdes maksimal nëse e lëvizni fritezën e cila përmban vaj të ngrohur.
13. Bëni kujdes që dorezat të jenë të përforcuara në mënyrë adekuate për shportën dhe të mbyllura. Lexoni udhëzimet e detajuara për montimin e pajisjes.
14. Para përdorimit, gjithmonë bëni kujdes që rezervoari për vaj të jetë i vendosur në mënyrë të drejtë.
15. Asnjëherë mos e lidhni fritezën me burim të energjisë elektrike, para se të vendosni

vajin në rezervuarin e vajit.

16. Vaji në rezervuar është ende i ngrohtë kur të shkyqet pajisja. Asnjëherë mos e lëvizni fritezën deri sa të ftohet tërësisht, ngriteni rezervuarin për vaj duke e përdorur dorezën.
17. Edhe pse rezervuari i ndashëm për vaj mund të futet komplet në ujë dhe të pastrohet, para përdorimit të radhës duhet të jetë komplet i thatë për të parandaluar goditjen e rrymës.
18. Asnjëherë mos e stërbushni fritezën me vaj. Mbusheni vetëm nivelin maksimal dhe minimal siç është shënuar brenda rezervuarit me vaj.
19. Mos e shtoni ushqimin me kristale të akullit ose të ushqimit që është i lagur në vaj të nxehtë.
20. Kjo pajisje nuk është e dedikuar për përdorim nga personat (duke përfshirë fëmijët) me aftësi të zvogëluara fizike, shqisore ose mendore, si dhe nga ana e personave me njohuri dhe përvoja të pamjaftueshme, përveç nëse kanë mbikëqyrje ose instruksione të cilat kanë të bëjnë me përdorimin e pajisjes nga ana e personave përgjegjës për sigurinë e tyre.
21. Fëmijët duhet të jenë nën mbikëqyrje që të mos luajnë me pajisjen.
22. Pas përdorimit të fërgimit, gjithmonë hiqeni kapakun dhe pritni disa sekonda që të zvogëlohet presioni i avullit.
23. Mos e përdorni pajisjen për çarëdo lloji të përdorimit përveç për atë që është e dedikuar.
24. Mos e përdorni pajisjen në ambient të jashtëm.
25. Ruane pajisjen brenda për të parandaluar prishjen e pjesëve elektrike.
26. **VËREJTJE:** Mund të shkaktohen dëgjie serioze nga vaji kur friteza tërhiqet nga sipërfaqja e punës. Bëni kujdes që kabli për furnizim të mos lëvaret nga tehu i sipërfaqes së punës ku mund ta arrijnë fëmijët ose ku mund ta tërheqin përdoruesit.
27. Pajisja nuk është e dedikuar për përdorim nëpërmjet tajmerit nga largë ose sistemit të ndarë të përdorimit nga largë.
28. Kjo pajisje është e dedikuar për përdorim në amvisëri, respektivisht për përdorim personal siç janë:
 - Ambientet e kuzhinave në shitore, zyra dhe në ambiente të tjera të punës;
 - Amvisëri fshatare;

- Nga ana e mysafirëve në hotele, motele dhe objekte të ngjashme akomodimi;
- Në objekte për akomodim në bazë të buajtjes me mëngjes.

29. Ruane këtë udhëzim.

PËRSHRIMI I PAJISJES

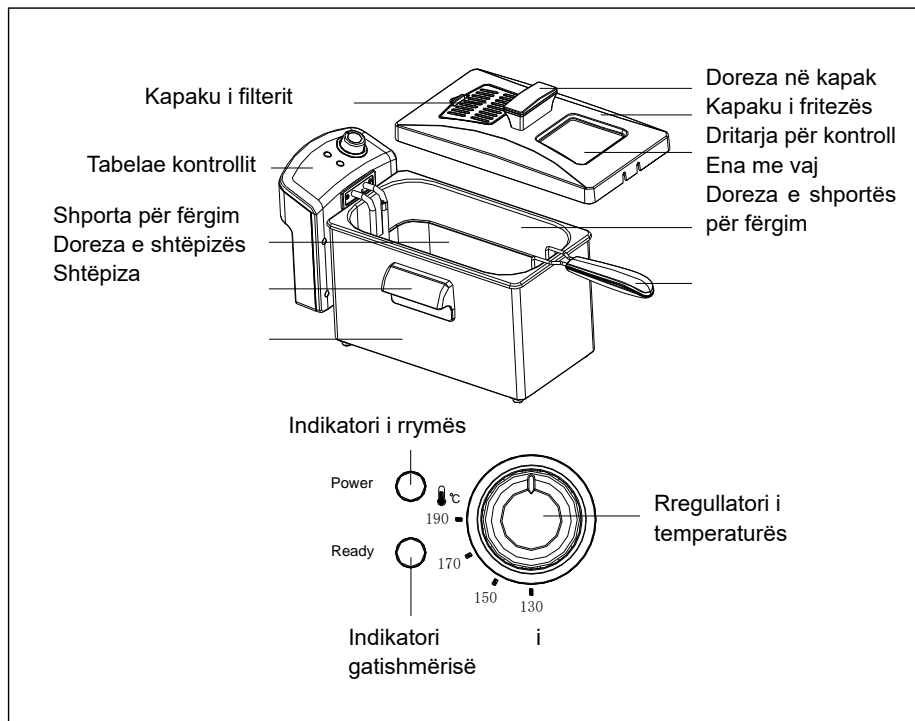


TABELA E KONTROLLIT

Rregullatori i temperaturës

Rregullatori i temperaturës përfshin fritezën dhe rregullon temperaturën e dëshiruar për fërgim.

Indikatori i furnizimit me rrymë

Llamba e indikatorit të furnizimit me rrymë ndriçon kur friteza është e kycur.

Indikatori i gatishmërisë

Llamba e indikatorit të gatishmërisë do të kycet dhe shkyqet disa herë gjatë fërgimit. Kjo

tregon se temperatura mbahet në mënyrë termostاتيke.

PËRDORIMI I PARË I PAJISJES

1. Hiqni komplet paketimin, etiketën dhe/ose ngjitëset nga friteza.

VËREJTJE: Mos e kyqni fritezën kur tabela e kontrollit nuk është e instaluar në shtëpizën e fritezës. Kyqeni fritezën vetëm kur pajisja është e montuar tërësisht, kurse elementi i ngrohjes të jetë i futur në ujë.

VËREJTJE: Mos e lagni tabelën e kontrollit, kabllin ose prizën në ujë.

VËREJTJE: Kjo pajisje nuk guxon të përdoret për ngrohjen e ujit.

2. Ngritni tabelën e kontrollit me elementin ngrohës nga shtrati duke e ngritur me një dorë deri sa me dorën tjetër e mbani shtëpizën e fritezës.

3. Hiqeni rezervuarin me vaj nga trupi i fritezës.

4. Lani rezervuarin me vaj dhe shportën për fërgim me ujë të ngrohtë, me sfungjer joabraziv dhe mjete për pastrim ose ndonjë detergjent tjetër johelmues. Thane mirë para përdorimit.

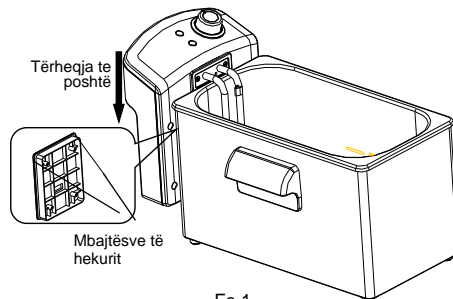
VËREJTJE: Rezervoari për vaj, shporta për fërgim, doreza e shportës për fërgim, filteri i përhershëm dhe kapaku mund të lahen me ujë të ngrohtë me sapun.

VËREJTJE: Mos e futni tabelën e kontrollit, kabllin për furnizim me rrymë ose prizat në asnjë lloj lëngu.

MONTIMI I FRITIZËS

1. Vendosni enën me vaj në shtëpizën e fritezës.

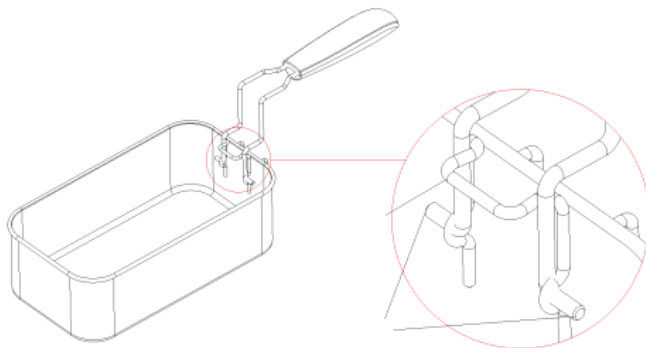
2. Vendosni tehet e mbajtëses në tabelën e kontrollit në mbajtëset e montuara në shtëpizën e metalit (Sl.1).



3. Shtyni skajet e mbajtëses deri në fund.

VËREJTJE: Friteza ka ndërprerës automatik të sigurisë për t'u siguruar që pajisja nuk do të punojë nëse pllaka e kontrollit nuk është futur fortë në mbajtëset në shtëpizën e fritezës.

4. Përforconi mbajtësen e fritezës në shportën e fritezës ashtu që do të shtypni dorezat e mbajtëses njëkohësisht dhe i vendosni në mbajtësin e metalit në shportë. Sigurohuni që fundi i shkopinjvëm të futet në vrimat për mbajtëse. Ngriteni mbajtësen lartë që të jetë në pozicion të mbyllur (Sl. 2).



Fo.2

PËRDORIMI I FRITIZËS

VËREJTJE: Asnjëherë mos e kyqni fritezën në rrymë para mbushjes së enës me vaj. Gjithmonë sigurohuni që tabela e kontrollit të jetë e përforcuar në shtëpizën e fritezës dhe që elementi ngrohës brenda vajit në rezervuarin për vaj para kyqjes.

1. Hidhni vajin për zierje në rezervuarin për vaj, duke u përkujdesur që të gjendet në mes të linjave "Min" dhe "Max" për mbushje në rezervuarin për vaj.
2. **Mos e mbushni pak ose tepër.** Niveli i vajit duhet të mbahet në mes të minimumit (2.5 litra) dhe maksimumit (3.5 litra) të shënuara brenda rezervuarit për vaj.
3. Mund të përdorni vajin e përzier të bimor, vaj misri ose vaj rrepe.
4. **Mos përdorni vaj ulliri, margarinë, dhjam ose lëng nga pjekja.** Asnjëherë mos e përzieni vajin e vjetruar dhe vajin e ri ose Vajra të tjera dhe dhjam.

3. Nëse dëshironi të përdorni dhjam të fortë, së pari duhet të shkrihet, detajet gjenden në pjesën "**KËSHILLA PËR PËRDORIMIN E YNDYRËRAVE TË FORTA**".
4. Vendosni kapakun në fritezë.
5. Vendosni kabllin në prizën elektrike në mur. Indikatorin e rrymës elektrike do të ndriçojë.
KUJDES: Asnjëherë mos e kyqni tabelën e kontrollit nëse nuk është e montuar në trupin e fritezës. Mos e futni tabelën e kontrollit, kabllin për furnizim ose prizën në ujë ose ndonjë lëng tjetër.
6. Rregulloni rregullatorin e temperaturës në temperaturën e dëshiruar.
7. Indikatorin e gatishmërisë do të ndizet kur të arrihet temperatura e dëshiruar.
8. Mos e mbushni shportën për fërgim kur të jetë e futur në vaj të nxehtë. Vendosni ushqimin në shportën për fërgim. Mos e lëshoni ushqimin në vaj të nxehtë për zierje. Mos e stërbushni. Në punite korpu za přzeníje kada je uronjena u vrelo ulje. Mos e stërbushni, ngarkesa maksimale është 250g. Për rezultate optimale dhe kohëzgjatje më të shkurtër të fërgimit, fërgoni sasi më të vogla.
VËREJTJE: Kur të fërgoni ushqimin e ngrirë, largoni shportën për fërgim nga friteza para mbushjes sepse vaji do të spërkatë në të gjitha anët dhe do të shkaktojë djegie.
VËREJTJE: Kur të fërgoni ushqimin e ngrirë sic është pomfriti, nuk duhet të tejkalohet linja "max" në shportën për fërgim. Pastroni akullin nga ushqimi i ngrirë para fërgimit. Nëse nuk e bëni këtë, mund të vijë deri tek derdhja kur të vendoset ushqimi në vaj.
9. Shportën për fërgim vendoseni me kujdes në rezervuarin me vaj në mënyrë që vaji të mos spërkatë në të gjitha anët.
10. Ndryshoni kapakun e fritezës në fritezë gjatë fërgimit.
11. Kur të përfundojë koha e përgatitjes, ktheni rregullatorin e temperaturës në pozicionin "OFF" dhe hiqeni kabllin nga priza elektrike në mur.
12. Me kujdes hiqeni kapakun e fritezës duke e ngritur sa më largë nga ju në mënyrë që ti mundësoni avullit të dalë para se të hiqni kabllin plotësisht. Mbani fytyrën sa më larg pajisja për të shmangur djegiet nga avulli i cili del nga ajo.
13. Ngritni shportën për fërgim duke e mbajtur për doreze dhe vendoseni mbi enën për vaj për t'u kulluar.
14. Kur të kullohet vaji nga shporta për fërgim, shportën mund ta ngritni dhe të shërbeni

ushqimin në të ose ta shërbeni në enë.

VËREJTJE: Gjithmonë lini që friteza të ftohet tërësisht (rreth 2 orë) para pastrimit ose deponimit. Asnjëherë mos e bartni ose mos e lëvizni pajisjen deri sa vaji i nxehtë është në të.

VËREJTJE: Sipërfaqet e metalit të fritezës bëhen të nxehta gjatë përdorimit. Mos i prekni anët e pajisjes deri sa është në përdorim.

KËSHILLA PËR PËRDORIMIN E FRITIZËS

1. Gjithmonë përdorni shportën për fërgim për të fërguar ushqimin.
2. Gjithmonë mbyllni kapakun gjatë fërgimit. Hiqeni kapakun me kujdes.
3. Kur të ngrohet vaji paraprakisht, llamba e indikatorit të gatishmërisë do të kyqet që tregon se temperatura e dëshiruar është arritur.
4. Lëshoni shportën për fërgim ngadalë në vaj të ngrohtë. Nëse e lëshoni shportën për fërgim shumë shpejtë, vaji mund të derdhet ose të spërkatë.
5. Është normale që avulli të dalë nga ana e kapakut gjatë fërgimit.
6. Mos qëndroni shumë afër fritezës deri sa është duke punuar.
7. Mos e përzieni vajrat e reja dhe të vjetra.
8. Ndërroni vajin rregullisht. Në përgjithësi, vaji do të digjet shpejtë kur fërgoni ushqim i cili përmban mjaft proteina (mish pule, gjedhi dhe peshku). Kur të përdoret vaji për fërgimin e patateve dhe filtrohet pas çdo përdorimi, mund të përdoret 8 deri 10 herë, por mos e përdorni vajin e njëjtë më gjatë se 6 muaj.
9. Gjithmonë ndërroni vajin posa të fillojë të krijohet shkurë gjatë ngrohjes, ose kur ngjyra të bëhet më e errët, ose kur ngjyra bëhet më e errët, ose kur ka erë ose shije të djegies dhe bëhet si shurup.
10. Përkujdesuni që ushqimi që e përgatitni të jetë i thatë. Largoni akullin nga ushqimi i ngrirë para fërgimit.
11. Për ti fërguar në mënyrë të barabartë, pjesët e ushqimit duhet të jenë të trashësisë dhe madhësisë së njëjtë. Për pjesët më të trasha të ushqimit nevojitet më shumë kohë.
12. Kohët e dhëna të zierjes i referohen vetëm kohës së përafërt të nevjshme për fërgimin e një shporte të mbushur deri në gjysmë. Koha e saktë mund të dallohet varësisht nga

sasia konkrete, preferencat personale të përgatitjes së ushqimit, madhësisë dhe trashësisë së copave, etj.

RREGULLIMI I TEMPERATURËS

Në përgjithësi, përdorni temperatura më të ulëta për ushqim delikat si (perime, peshk) dhe temperatura më të larta për ushqim të ngrirë, pomfrit dhe mish pule.

USHQIMI	KOHA E PËRGATITJES	TEMPERATURA
Pomfrit	6-9 minuta	190°C
File peshku	3-5 minuta	150°C
Gishtërinj pule	6-8 minuta	170°C
Copa mishi të pulës	13-20 minuta	170°C
Kungulleshka të fërguara	3 minuta	150°C
Kërpudha të fërguara	3 minuta	150°C
Rrathë qepe	3 minuta	150°C
Krafne	3-5 minuta	170°C
Mollë të pjekura	4 minuta	170°C
Karkaleca	4-6 minuta	150°C

KËSHILLA PËR PËRDORIMIN E YNDYRËS SË NGURTË

VËREJTJE: Mos e vendosni yndyrën e fortë në rezervoarin me vaj ose në shportën për fërgim.

1. Nëse përdorni yndyrë të ngurtë bimore, së pari duhet ta shkrini në enë të ndarë, pastaj me shumë kujdes hidheni yndyrën e shkrirë në rezervuarin e vajit.
2. Yndyrën e ngurtë bimore të përdorur paraprakisht, e cila është ngurtësuar dhe forcuar në rezervuarin e vajit, duhet ta hiqni nga rezervuari dhe ta shkrini në fultere ose në tenxhere para përdorimit të ri.

VËREJTJE: Nëse provoni ta shkrini yndyrën e ngurtësuar në rezervuarin e vajit,

ekziston rreziku që yndyra e shkrirë shpejtë të shpërthejë nga lartë nëpërmjet shtresës së forcuar të yndyrës.

Përdorni vetëm këtë procedurë

Kur të shkruini yndyrën e forcuar në fritezë:

1. Kontrolloni nëse yndyra është ngrohur në temperaturë dhome. Nëse yndyra është e ftohur, ekziston rrezik më i madh nga spërkatja.
2. Duke përdorur piru, me kujdes bëni vrima në yndyrë.
3. Kontrolloni nëse kapaku është **gjithmonë** i mbyllur fortë deri sa të shkrihet yndyra.
4. Vendosni rregullatorin e temperaturës në 150°C.

ME RËNDËSI: Indikatorin e energjisë elektrike do të ndriçojë kur kabli të futet në prizë. Indikatorin e gatishmërisë do të ndriçojë kur yndyra ose vaji në rezervuar të arrijë temperaturën e dhomës.

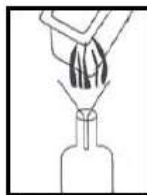
FILTRIMI & NDËRRIMI I VAJIT

VËREJTJE: Përkujdesuni që friteza të jetë e hequr nga priza e rrymës dhe që vaji të jetë i ftohur (rreth 2 orë) para ndërrimit të vajit, ose pastrimit dhe largimit të fritezës.

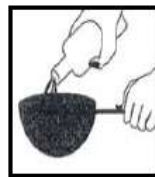
VËREJTJE: Vaji nuk duhet të ndërrohet pas çdo përdorimi. Në përgjithësi, vaji shpejtë do të bëhet i papërdorshëm kur të fërgohet ushqimi i cili përmban mjaftë proteina (mishi i pulës, gjedhit dhe peshkut). Kur të përdoret për fërgimin e patateve dhe filtrohet pas çdo përdorimi, mund të përdoret 8 deri 10 herë. Por, vajin e njëjtë mos e përdorni më gjatë se 6 muaj.

Filtrimi i vajit:

1. Përkujdesuni që vaji i ftohur (afërsisht 2 orë) dhe pastaj zbrazeni vajin nga rezervuari për vaj në enë ose shishe tjetër (fot.3).
2. Lani dhe thani rezervuarin për vaj dhe shportën për fërgim.
3. Mbushni rezervuarin për vaj ashtu që të hidhni vajin nëpërmjet kullonjësës me tela ose nëpërmjet filterit të letrës. (fot. 4)



Fo.3



Fo.4

UDHËZIMET PËR PASTRIM

Për të përdorur pajisjen tuaj për shumë vjet, pastrone fritezën pas çdo përdorimi.

VËREJTJE: Gjithmonë hiqeni kabllin nga prizja e rrymës para pastrimit. Lini që friteza dhe vaji të ftohen tërësisht (rreth 2 orë) para pastrimit.

1. Asnjëherë mos e futni tabelën e kontrollit, kabllin ose prizën në ujë ose në ndonjë lëng tjetër.
2. Mos e lini tabelën e kontrollit, kabllin ose prizën në enëlarëse.
3. Tabelën e kontrollit pastrone vetëm me leckë të lagur.
4. Rezervuari për vaj dhe shporta për fërgim mund të lahen në sirtarin e epërm të enëlarëses.
5. Kapaku i fritezës mund të lahet në ujë të ngrohtë me sapun. Mos e lini trupin e fritezës në lëng ose në enëlarëse.
6. Për të pastruar filterin e përhershëm, hiqeni nga kapaku dhe lane me ujë të nxehtë dhe me sapun. Lane dhe thane mirë para se ta përdorni përsëri në kapakun e fritezës. Ndërroni kapakun e fritezës.

KUJDES: Mos e lani filterin e përhershëm në enëlarëse.

FUNKSIONI I RIVENDOSJES

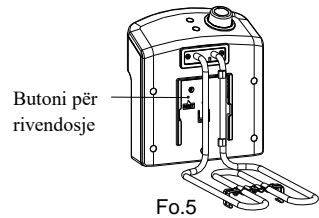
Friteza juaj ka funksionin e rivendosjes. Nëse për ndonjë arsye friteza nuk ngrohet, arsyeja e mundshme është se butoni për rivendosje ka ngecur.

Rivendosja e fritezës:

1. Shkyqni aparatën nga prizja elektrike e murit.
2. Leni pajisjen dhe vajin në rezervuar që të ftohet tërësisht.

3. Pasi që pajisja të jetë ftohur tërësisht, ngritni tabelën e kontrollit dhe duke përdorur majën e lapsit, shtyni butonin për rivendosjen e termostatit që gjendet brenda tabelës së kontrollit (fot. 5)

4. Përsëri përforconi tabelën e kontrollit në shtëpizën e fritezës dhe vazhdoni fërgimin.



ZGJIDHJA E PROBLEMEVE

PROBLEMET	SHKAKTARËT E MUNDSHËM	ZGJIDHJA
Friteza nuk punon	<ol style="list-style-type: none"> 1. Tabela e kontrollit nuk është e instaluar në mënyrë të drejtë. 2. Kablli nuk është i lidhur në prizën e murit. 3. Priza nuk ka energji elektrike. 4. Ndërprerësi për rivendosje ka ngecur. 	<ol style="list-style-type: none"> 1. Përsëri forconi tabelën e kontrollit. 2. Futni kabllin në prizën e murit. 3. Rivendosni ndërprerësin e sigurisë ose ndërroni siguresën. 4. Shkyqeni pajisjen dhe leni që të ftohet tërësisht. Largoni tabelën e kontrollit dhe shtypni butonin për rivendosjen e termostatit.
Vaji derdhet nga friteza	<ol style="list-style-type: none"> 1. Shumë vaj në fritezë. 2. Shporta për ushqim është e stërmbushur. 3. Vaji është përdorur shumë shpesh dhe shkumohet. 	<ol style="list-style-type: none"> 1. Shkyqeni fritezën. Le të ftohet vaji tërësisht. Largoni tepricën e vajt. 2. Largoni tepricën e ushqimit nga shporta për ushqim. 3. Shkyqeni fritezën. Le të ftohet vaji tërësisht. Mbusheni rezervuarin me vaj të ri.

Ushqimi është i butë ose i yndyrshëm	<ol style="list-style-type: none"> 1. Vaji nuk është ngrohur mjaftueshëm. 2. Shporta për ushqim është e stërmëshur. 	<ol style="list-style-type: none"> 1. Vendosni butonin për kontrollimin e temperaturës në temperaturën e duhur në mënyrë që ushqimi të fërgohet 2. Largoni tepicën e ushqimit nga shporta për ushqim.
Ushqimi nuk është bërë tërësisht	<ol style="list-style-type: none"> 1. Copat e ushqimit shumë të mëdha. 2. Koha e përgatitjes shumë e shkurtër. 3. Temperatura e vajit shumë e lartë. 	<ol style="list-style-type: none"> 1. Ndani ushqimin në copa më të vogla. 2. Vazhdoni fërgimin dhe në kontinuitet kontrolloni procesin e përgatitjes së ushqimit. 3. Zvogëloni temperaturën e vajit në mënyrë që ushqimi të jetë i përgatitur tërësisht.
Vaji për zierje lëshon shkumë ose tym.	<ol style="list-style-type: none"> 1. Vaji është përdorur shumë shpesh. 	<ol style="list-style-type: none"> 1. Leni vajin që të ftohet tërësisht dhe zëvendësoni me vaj të ri.

DEPONIMI EKOLOGJIK



Jepni kontributin tuaj për ruajtjen e ambientit jetësor!

Respektoni rregullat lokale: dërgoni pajisjet elektrike të cilat më nuk i përdorni në qendrën e duhur për pranimin e mbeturinave elektrike.

