



GBR

ITA

DEU

RUS

SRB

ESP

PRT

GRC

SVN

HRV

BIH

MNE

MKD

ALB

MWH M19

INSTRUCTION MANUAL MICROWAVE OVEN
MANUALE DI ISTRUZIONI FORNO A MICROONDE
BEDIENUNGSANLEITUNG MIKROWELLE
ИНСТРУКЦИЯ ПО ЭКСПЛУАТАЦИИ **МИКРОВОЛНОВАЯ ПЕЧЬ**
UPUTSTVO ZA UPOTREBU MIKROTALASNA RERNA
MANUAL DE USO HORNO DE MICROONDAS
MANUAL DE INSTRUÇÕES FORNO DE MICRO-ONDAS
ΟΔΗΓΙΕΣ ΧΡΗΣΗΣ **ΦΟΥΡΝΟΣ ΜΙΚΡΟΚΥΜΑΤΩΝ**
NAVODILA ZA UPORABO MIKROVALOVNA PEČICA
UPUTE ZA UPORABU MIKROVALNA PEĆNICA
UPUTSTVO ZA UPOTREBU MIKROTALASNA RERNA
УПАТСТВО ЗА УПОТРЕБА **МИКРОБРАНОВА ПЕЧКА**
MANUALE I PERDORUESIT FURRA MIKROVALORE



VOX
ELECTRONICS

GBR

Microwave Oven
INSTRUCTION MANUAL
MWH M19

Read these instructions carefully before using your microwave oven, and keep it carefully.

If you follow the instructions, your oven will provide you with many years of good service.

SAVE THESE INSTRUCTIONS CAREFULLY

PRECAUTIONS TO AVOID POSSIBLE EXPOSURE TO EXCESSIVE MICROWAVE ENERGY

(a) Do not attempt to operate this oven with the door open since this can result in harmful exposure to microwave energy. It is important not to break or tamper with the safety interlocks.

(b) Do not place any object between the oven front face and the door or allow soil or cleaner residue to accumulate on sealing surfaces.

(c) **WARNING:** If the door or door seals are damaged, the oven must not be operated until it has been repaired by a competent person.

ADDENDUM

If the apparatus is not maintained in a good state of cleanliness, its surface could be degraded and affect the lifespan of the apparatus and lead to a dangerous situation.

SPECIFICATIONS

Model:	MWH M19
Rated Voltage:	230-240 V~ 50 Hz
Rated Input Power(Microwave):	1020 W
Rated Output Power(Microwave):	700 W

IMPORTANT SAFETY INSTRUCTIONS

WARNING

To reduce the risk of fire, electric shock, injury to persons or exposure to excessive microwave oven energy when using your appliance, follow basic precautions, including the following:

1. Read and follow the specific: "PRECAUTIONS TO AVOID POSSIBLE EXPOSURE TO EXCESSIVE MICROWAVE ENERGY".
2. This appliance can be used by children aged from 8 years and above and persons with reduced physical, sensory or mental capabilities or lack of experience and knowledge if they have been given supervision or instruction concerning use of the appliance in a safe way and understand the hazards involved. Children shall not play with the appliance. Cleaning and user maintenance shall not be made by children unless they are older than 8 and supervised. Children less than 8 years of age shall be kept away unless continuously supervised.
3. Keep the appliance and its cord out of reach of children less than 8 years.
4. If the supply cord is damaged, it must be replaced by the manufacturer, its service agent or similarly qualified persons in order to avoid a hazard.
5. **WARNING:** Ensure that the appliance is switched off before replacing the lamp to avoid the possibility of electric shock.

6. WARNING: It is hazardous for anyone other than a competent person to carry out any service or repair operation that involves the removal of a cover which gives protection against exposure to microwave energy.
7. WARNING: Liquids and other foods must not be heated in sealed containers since they are liable to explode.
8. When heating food in plastic or paper containers, keep an eye on the oven due to the possibility of ignition.
9. Only use utensils that are suitable for use in microwave ovens.
10. If smoke is emitted, switch off or unplug the appliance and keep the door closed in order to stifle any flames.
11. Microwave heating of beverages can result in delayed eruptive boiling, therefore care must be taken when handling the container.
12. The contents of feeding bottles and baby food jars shall be stirred or shaken and the temperature checked before consumption, in order to avoid burns.
13. Eggs in their shell and whole hard-boiled eggs should not be heated in microwave ovens since they may explode, even after microwave heating has ended.
14. The oven should be cleaned regularly and any food deposits removed.
15. Failure to maintain the oven in a clean condition could lead to deterioration of the surface that could adversely affect the life of the appliance and possibly result in a hazardous situation.
16. The appliance must not be installed behind a decorative door in order to avoid overheating. (This is not applicable for appliances with decorative door.)

17. Only use the temperature probe recommended for this oven. (for ovens provided with a facility to use a temperature-sensing probe.)
18. The microwave oven shall not be placed in a cabinet unless it has been tested in a cabinet.
19. The microwave oven must be operated with the decorative door open. (for ovens with a decorative door.)
20. This appliance is intended to be used in household and similar applications such as:
 - staff kitchen areas in shops, offices and other working environments;
 - by clients in hotels, motels and other residential type environments;
 - farm houses;
 - bed and breakfast type environments.
21. The microwave oven is intended for heating food and beverages. Drying of food or clothing and heating of warming pads, slippers, sponges, damp cloth and similar may lead to risk of injury, ignition or fire.
22. Metallic containers for food and beverages are not allowed during microwave cooking.
23. The appliance shall not be cleaned with a steam cleaner.
24. The appliance is intended to be used freestanding.
25. The rear surface of appliances shall be placed against a wall.

READ CAREFULLY AND KEEP FOR FUTURE REFERENCE

TO REDUCE THE RISK OF INJURY TO PERSONS GROUNDING INSTALLATION

DANGER

Electric Shock Hazard

Touching some of the internal components can cause serious personal injury or death. Do not disassemble this appliance.

WARNING

Electric Shock Hazard

Improper use of the grounding can result in electric shock.

Do not plug into an outlet until appliance is properly installed and grounded.

This appliance must be grounded. In the event of an electrical short circuit, grounding reduces the risk of electric shock by providing an escape wire for the electric current.

This appliance is equipped with a cord having a grounding wire with a grounding plug. The plug must be plugged into an outlet that is properly installed and grounded.

Consult a qualified electrician or serviceman if the grounding instructions are not completely understood or if doubt exists as to whether the appliance is properly grounded.

If it is necessary to use an extension cord, use only a 3-wire extension cord.

1. A short power-supply cord is provided to reduce the risks resulting from becoming entangled in or tripping over a longer cord.

2. If a long cord set or extension cord is used:

1)The marked electrical rating of the cord set or extension cord should be at least as great as the electrical rating of the appliance.

2)The extension cord must be a grounding-type 3-wire cord.

3)The long cord should be arranged so that it will not drape over the counter top or tabletop where it can be pulled on by children or tripped over unintentionally.

CLEANING

Be sure to unplug the appliance from the power supply.

1. Clean the cavity of the oven after using with a slightly damp cloth.
2. Clean the accessories in the usual way in soapy water.
3. The door frame and seal and neighbouring parts must be cleaned carefully with a damp cloth when they are dirty.
4. Do not use harsh abrasive cleaners or sharp metal scrapers to clean the oven door glass since they can scratch the surface, which may result in shattering of the glass.
5. Cleaning Tip---For easier cleaning of the cavity walls that the food cooked can touch: Place half a lemon in a bowl, add 300ml (1/2 pint) water and heat on 100% microwave power for 10 minutes. Wipe the oven clean using a soft, dry cloth.

UTENSILS

CAUTION

Personal Injury Hazard

It is hazardous for anyone other than a competent person to carry out any service or repair operation that involves the removal of a cover which gives protection against exposure to microwave energy.

See the instructions on "Materials you can use in microwave oven or to be avoided in microwave oven."

There may be certain non-metallic utensils that are not safe to use for microwaving. If in doubt, you can test the utensil in question following the procedure below.

Utensil Test:

1. Fill a microwave-safe container with 1 cup of cold water (250ml) along with the utensil in question.
2. Cook on maximum power for 1 minute.
3. Carefully feel the utensil. If the empty utensil is warm, do not use it for microwave cooking.
4. Do not exceed 1 minute cooking time.

Materials you can use in microwave oven

Utensils	Remarks
Browning dish	Follow manufacturer's instructions. The bottom of browning dish must be at least 3/16 inch (5mm) above the turntable. Incorrect usage may cause the turntable to break.
Dinnerware	Microwave-safe only. Follow manufacturer's instructions. Do not use cracked or chipped dishes.
Glass jars	Always remove lid. Use only to heat food until just warm. Most glass jars are not heat resistant and may break.
Glassware	Heat-resistant oven glassware only. Make sure there is no metallic trim. Do not use cracked or chipped dishes.
Oven cooking bags	Follow manufacturer's instructions. Do not close with metal tie. Make slits to allow steam to escape.
Paper plates and cups	Use for short-term cooking/warming only. Do not leave oven unattended while cooking.
Paper towels	Use to cover food for reheating and absorbing fat. Use with supervision for a short-term cooking only.
Parchment paper	Use as a cover to prevent splattering or a wrap for steaming.
Plastic	Microwave-safe only. Follow the manufacturer's instructions. Should be labeled "Microwave Safe". Some plastic containers soften, as the food inside gets hot. "Boiling bags" and tightly closed plastic bags should be slit, pierced or vented as directed by package.
Plastic wrap	Microwave-safe only. Use to cover food during cooking to retain moisture. Do not allow plastic wrap to touch food.
Thermometers	Microwave-safe only (meat and candy thermometers).
Wax paper	Use as a cover to prevent splattering and retain moisture.

Materials to be avoided in microwave oven

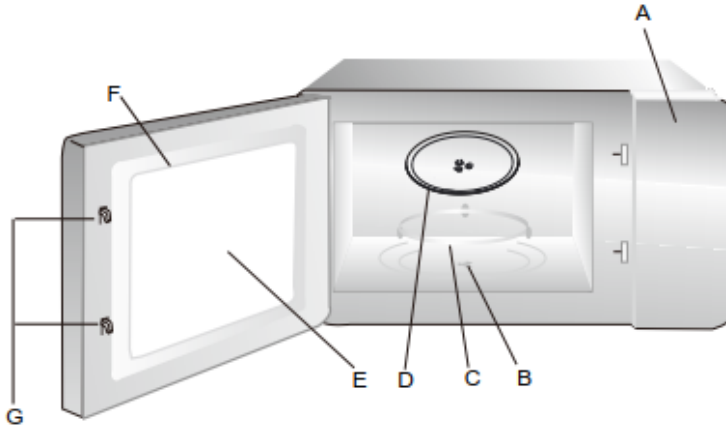
Utensils	Remarks
Aluminum tray	May cause arcing. Transfer food into microwave-safe dish.
Food carton with metal handle	May cause arcing. Transfer food into microwave-safe dish.
Metal or metal-trimmed utensils	Metal shields the food from microwave energy. Metal trim may cause arcing.
Metal twist ties	May cause arcing and could cause a fire in the oven.
Paper bags	May cause a fire in the oven.
Plastic foam	Plastic foam may melt or contaminate the liquid inside when exposed to high temperature.
Wood	Wood will dry out when used in the microwave oven and may split or crack.

Names of Oven Parts and Accessories

Remove the oven and all materials from the carton and oven cavity.

Your oven comes with the following accessories:

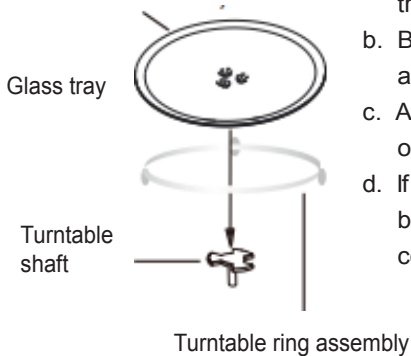
Glass tray	1
Turntable ring assembly	1
Instruction Manual	1



- A) Control panel
- B) Turntable shaft
- C) Turntable ring assembly
- D) Glass tray
- E) Observation window
- F) Door assembly
- G) Safety interlock system

Turntable Installation

Hub (underside)



- a. Never place the glass tray upside down. The glass tray should never be restricted.
- b. Both glass tray and turntable ring assembly must always be used during cooking.
- c. All food and containers of food are always placed on the glass tray for cooking.
- d. If glass tray or turntable ring assembly cracks or breaks, contact your nearest authorized service center.

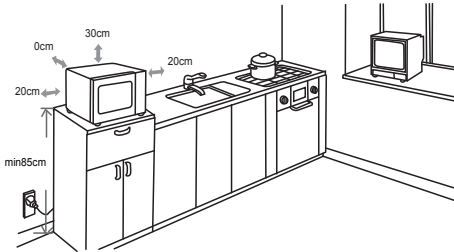
COUNTERTOP INSTALLATION

Remove all packing material and accessories. Examine the oven for any damage such as dents or broken door. Do not install if oven is damaged.

Cabinet: Remove any protective film found on the microwave oven cabinet surface. Do not remove the light brown Mica cover that is attached to the oven cavity to protect the magnetron.

INSTALLATION

1. Select a level surface that provide enough open space for the intake and/or outlet vents.



- (1) The minimum installation height is 85cm.
 - (2) The rear surface of appliance shall be placed against a wall.
Leave a minimum clearance of 30cm above the oven, a minimum clearance of 20cm is required between the oven and any adjacent walls.
 - (3) Do not remove the legs from the bottom of the oven. (4) Blocking the intake and/ or outlet openings can damage the oven.
 - (5) Place the oven as far away from radios and TV as possible. Operation of microwave oven may cause interference to your radio or TV reception.
2. Plug your oven into a standard household outlet. Be sure the voltage and the frequency is the same as the voltage and the frequency on the rating label.

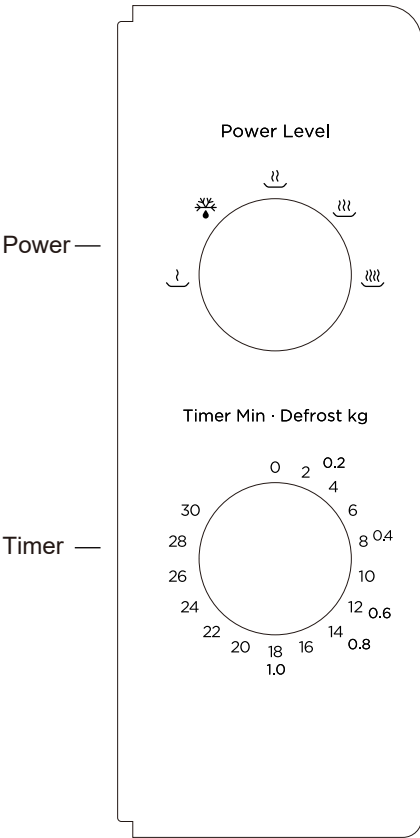
WARNING: Do not install oven over a range cooktop or other heat-producing appliance. If installed near or over a heat source, the oven could be damaged and the warranty would be void.

The accessible surface may be hot during operation.



OPERATION

Control Panel and Features Operation Instructions



1. To set cooking power by turning the power knob to desired level.
2. To set the time of cooking by turning the timer knob to desired time per your food cooking guide.
3. The microwave oven will automatically start cooking after power level and time are set.
4. When the cooking time is up, the unit will "Dong" to stop.
5. If the unit is not in use, always set time to "0".

Function/Power	Output	Application
	17% micro.	Soften ice cream
	33% micro.	Soup stew, soften butter or defrost
	55% micro.	Stew, fish
	77% micro.	Rice, fish, chicken, ground meat
	100% micro.	Reheat, milk, boil water, vegetables, beverage

Notice: When removing food from the oven, please ensure that the oven power is switched off by turning the timer switch to 0 (zero). Failure to do so, and operating the microwave oven without food in it, can result in overheating and damage to the magnetron.

Trouble shooting

Normal	
Microwave oven interfering TV reception	Radio and TV reception may be interfered when microwave oven operating. It is similar to the interference of small electrical appliances, like mixer, vacuum cleaner, and electric fan. It is normal.
Dim oven light	In low power microwave cooking, oven light may become dim. It is normal.
Steam accumulating on door, hot air out of vents	In cooking, steam may come out of food. Most will get out from vents. But some may accumulate on cool place like oven door. It is normal.
Oven started accidentally with no food in.	It is forbidden to run the unit without any food inside. It is very dangerous.

Trouble	Possible Cause	Remedy
Oven can not be started.	(1) Power cord not plugged in tightly.	Unplug. Then plug again after 10 seconds.
	(2) Fuse blowing or circuit breaker works.	Replace fuse or reset circuit breaker (repaired by professional personnel of our company)
	(3) Trouble with outlet.	Test outlet with other electrical appliances.
Oven does not heat.	(4) Door not closed well.	Close door well.



According to Waste of Electrical and Electronic Equipment (WEEE) directive, WEEE should be separately collected and treated. If at any time in future you need to dispose of this product please do NOT dispose of this product with household waste. Please send this product to WEEE collecting points where available.

PN:P0000006440727



VOX
ELECTRONICS

ITA

Forno a microonde
MANUALE DI ISTRUZIONI
MWH M19

Leggere attentamente queste istruzioni prima di utilizzare il forno a microonde e conservarlo con cura.
Se segue le istruzioni, il Suo forno Le fornirà molti anni di buon servizio.

SALVA QUESTE ISTRUZIONI

PRECAUZIONI PER EVITARE LA POSSIBILE ESPOSIZIONE A UN'ECESSIVA ENERGIA DELLE MICROONDE

- a) Non tentare di utilizzare il forno con lo sportello aperto, onde evitare una dannosa esposizione all'energia delle microonde. È importante non manomettere i dispositivi di blocco per la sicurezza.
- b) Non posizionare alcun oggetto tra la superficie anteriore del forno e lo sportello; inoltre, non consentire l'accumulo di sporcizia o residui di detersivi sulle superfici di guarnizione.
- c) AVVERTENZA: se lo sportello o le sue guarnizioni sono danneggiati, non utilizzare il forno finché non sia stato riparato da personale esperto.

AGGIUNTA

Se l'apparecchio non viene mantenuto in un buono stato di pulizia, la sua superficie potrebbe essere degradata e influire sulla durata della vita dell'apparecchio e portare a una situazione pericolosa.

SPECIFICAZIONI

Modello:	MWH M19
Tensione normale:	230-240 V~ 50 Hz
Potenza nominale di ingresso:	1020 W
Potenza nominale di uscita:	700 W

IMPORTANTI ISTRUZIONI PER LA SICUREZZA

Per ridurre il pericolo di incendi, scosse elettriche, infortuni o eccessiva esposizione all'energia del forno a microonde durante l'uso dell'elettrodomestico, attenersi alle precauzioni fondamentali riportate di seguito:

1. Leggere e seguire "PRECAUZIONI PER EVITARE LA POSSIBILE ESPOSIZIONE A UN'ECESSIVA ENERGIA DELLE MICROONDE"
2. Questo apparecchio può essere utilizzato da bambini con età dagli 8 anni in su e da persone con ridotte capacità fisiche, sensoriali o mentali o con mancanza di esperienza e conoscenza se sotto supervisione oppure se hanno ricevuto istruzioni per l'utilizzo in sicurezza dell'apparecchio e se capiscono i pericoli implicati. I bambini non devono giocare con l'apparecchio. La pulizia e la manutenzione dell'utente non devono essere eseguite da bambini a meno che non abbiano più di 8 anni e siano sorvegliati. I bambini di età inferiore a 8 anni devono essere tenuti a distanza se non sottoposti a supervisione continua.
3. Tenere il prodotto e il cavo di alimentazione lontano da bambini di età inferiore a 8 anni.
4. Se il cavo di alimentazione è danneggiato, richiederne la sostituzione al produttore, al tecnico dell'assistenza o ad altro personale qualificato, onde evitare pericoli.

5. **AVVERTENZA:** assicurarsi che l'apparecchio sia spento prima di sostituire la lampada per evitare la possibilità di scosse elettriche.
6. **AVVERTENZA:** È pericoloso per chiunque non sia una persona esperta di procedere a qualsiasi servizio o operazione di manutenzione, che implica la rimozione di qualsiasi copertura che fornisce protezione contro l'esposizione delle microonde magnetiche.
7. **AVVERTENZA:** i liquidi e i prodotti alimentari non devono essere riscaldati all'interno di contenitori sigillati, che potrebbero esplodere
8. Durante il riscaldamento di alimenti in contenitori di plastica o di carta, tenere d'occhio il forno a causa della possibilità di accensione.
9. Utilizzare solo utensili adatti all'uso nei forni a microonde.
10. Se viene emesso fumo, spegnere o scollegare l'apparecchio e tenere la porta chiusa per soffocare eventuali fiamme.
11. Il riscaldamento a microonde delle bevande può causare un ritardo dell'ebollizione eruttiva, pertanto è necessario prestare attenzione quando si maneggia il contenitore.
12. Il contenuto dei biberon e dei vasetti di alimenti per bambini deve essere mescolato o agitato e la temperatura deve essere controllata prima del consumo, al fine di evitare ustioni.
13. Le uova nel loro guscio e le uova sode intere non devono essere riscaldate nei forni a microonde poiché potrebbero esplodere, anche dopo che il riscaldamento a microonde è terminato.
14. Il forno deve essere pulito regolarmente e tutti i depositi di cibo devono essere rimossi.
15. La mancata manutenzione del forno in condizioni

pulite può comportare un deterioramento della superficie che può influire negativamente sulla vita dell'apparecchio e provocare una situazione pericolosa.

16. L'apparecchio non deve essere installato dietro una porta decorativa per evitare il surriscaldamento. (Questo non è applicabile per apparecchi con porta decorativa.)

17. Utilizzare solo la sonda di temperatura consigliata per questo forno. (per i forni dotati di una funzione per utilizzare una sonda di rilevamento della temperatura.)

18. Il forno a microonde non deve essere collocato in un armadio a meno che non sia stato testato in un armadio.

19. Il forno a microonde deve essere maneggiato con lo sportello decorativo aperto. (per forni con una porta decorativa.)

20. Questo apparecchio è destinato all'uso in applicazioni domestiche e simili, quali:

- nelle cucine per i dipendenti di un negozio, di un ufficio e altri ambienti di lavoro;
- per i clienti in hotel, motel e altri ambienti di tipo residenziale;
- in una tenuta agricola;
- nei ambienti tipo bed & breakfast.

21. Il forno a microonde è destinato al riscaldamento di cibi e bevande. L'asciugatura di alimenti o indumenti e il riscaldamento di cuscini riscaldanti, pantofole, spugne, panni umidi e simili possono causare rischi di lesioni, accensione o incendio.

22. I contenitori metallici per alimenti e bevande non sono ammessi durante la cottura a microonde.

23. L'apparecchio non deve essere pulito con un pulitore a vapore.

24. L'apparecchio è destinato all'uso indipendente.

25. La superficie posteriore degli apparecchi deve essere posizionata contro una parete.

**LEGGERE ATTENTAMENTE E CONSERVARE
PER IL FUTURO RIFERIMENTO**

PER RIDURRE IL RISCHIO DI LESIONI FISICHE COLLEGARE A TERRA L'INSTALLAZIONE

PERICOLO

Rischio di scosse elettriche

Il contatto con alcuni componenti interni può causare gravi lesioni fisiche o addirittura il decesso.

Non smontare l'apparecchio.

AVVERTENZA

Rischio di scosse elettriche Un'errata messa a terra può causare scosse elettriche. Non collegare l'apparecchio ad una presa di corrente finché non è stato correttamente installato e collegato a terra. L'apparecchio deve essere collegato a terra. In caso di cortocircuito, la messa a terra riduce il rischio di scosse elettriche grazie al cavo di collegamento a terra della corrente elettrica. L'apparecchio è dotato di un cavo di alimentazione con fili di messa a terra e di una spina di messa a terra. La spina deve essere inserita in una presa propriamente installata e collegata a terra.

Rivolgersi ad un elettricista qualificato o un manutentore esperto se le istruzioni di messa a terra non sono sufficientemente chiare o in caso di dubbi sul collegamento a terra dell'apparecchio. Se necessario, utilizzare una prolunga assicurandosi che sia a 3 fili.

1. Il cavo di alimentazione fornito con l'apparecchio è corto, in modo da ridurre il rischio di rimanere impigliati o di inciampare in un cavo più lungo.

2. Se si utilizza un kit con cavo più lungo o con prolunga:

1) I valori elettrici nominali indicati per il cavo o la prolunga dovranno essere superiori ai valori elettrici nominali dell'apparecchio.

2) La prolunga deve essere del tipo a 3 fili con messa a terra.

3) Il cavo deve essere disposto in modo da non ricadere sul piano d'appoggio o sul tavolo evitando, in questo modo, che possa essere tirato da bambini o che possa essere calpestato inavvertitamente.

PULIZIA

Assicurarsi di staccare la spina dalla presa di corrente.

1. Pulire la cavità del forno dopo l'uso con un panno leggermente umido.

2. Pulire gli accessori abitualmente in acqua saponata.

3. Il telaio della porta, il sigillo e le parti vicine devono essere puliti accuratamente con un panno umido quando sono sporchi.

4. Non utilizzare detergenti abrasivi aggressivi o raschietti metallici affilati per pulire il vetro della porta del forno poiché possono graffiare la superficie e provocare la rottura del vetro.

5. Suggerimento per la pulizia --- Per facilitare la pulizia delle pareti della cavità che il cibo cotto può toccare: mettere mezzo limone in una ciotola, aggiungere 300 ml di acqua (1/2 pinta) e scaldare con il microonde al 100% della potenza per 10 minuti. Pulire il forno con un panno morbido e asciutto.

UTENSILI ATTENZIONE

Pericolo di lesioni personali

È pericoloso per qualsiasi persona diversa da una persona competente di eseguire qualsiasi servizio o operazione di riparazione che implichi la rimozione di una copertura che protegge dall'esposizione all'energia delle microonde.

Vedere le istruzioni in "Materiali che è possibile utilizzare nel forno a microonde o evitare nel forno a microonde". Ci possono essere alcuni utensili non metallici che non sono sicuri da usare per il microonde. In caso di dubbio, è possibile testare l'utensile in questione seguendo la procedura seguente.

Prova dell'utensile:

1. Riempire un contenitore per microonde con 1 tazza di acqua fredda (250 ml) insieme all'utensile in questione.
2. Cuocere alla massima potenza per 1 minuto.
3. Toccare attentamente l'utensile. Se l'utensile vuoto è caldo, non utilizzarlo per la cottura a microonde.
4. Non superare 1 minuto di cottura.

MATERIALI CHE SI POSSONO UTILIZZARE NEL FORNO A MICROONDE

Utensili	Note
Piastra per doratura	Seguire le istruzioni del produttore. La base della piastra per doratura deve rimanere sollevata di almeno 5 mm (3/16 pollici) sul piatto girevole. Un uso improprio può provocare la rottura del piatto girevole.
Set di piatti	Solo per microonde. Seguire le istruzioni del produttore. Non utilizzare piatti crepati o scheggiati.
Vasetti in vetro	Rimuovere sempre il coperchio. Utilizzare unicamente per riscaldare gli alimenti rapì damente. La maggior parte dei vasetti non sono resistenti al calore e possono rompersi.
Set di contenitori di vetro	Solo contenitori da forno resistenti al calore. Assicurarsi che non vi siano bordi in metallo. Non utilizzare piatti crepati o scheggiati.
Sacchetti per la cottura nel forno	Seguire le istruzioni del produttore. Non chiudere con una fascetta in metallo. Praticare dei piccoli intagli per lasciare fuoriuscire il vapore.
Piatti e bicchieri di carta	Utilizzare solo per cuocere/riscaldare rapidamente. Non lasciare il forno incustodito durante la cottura.
Rotoli di carta assorbente	Utilizzare per coprire gli alimenti da riscaldare e per assorbire i grassi. Utilizzare solo per una cottura rapida, controllando sempre il forno.
Carta da forno	Utilizzare come un coperchio per evitare schizzi o per avvolgere gli alimenti per una cottura al vapore.
Plastica	Solo per microonde. Seguire le istruzioni del produttore. I prodotti in plastica devono riportare la dicitura "Indicato per microonde". Alcuni contenitori in plastica si ammorbi discono quando il cibo all'interno si riscalda. Se si utilizzano "sacchetti per la cottura al vapore" e sacchetti in plastica chiusi ermeticamente, realizzare dei piccoli tagli, dei fori o delle aperture di ventilazione, secondo quanto indicato sulla confezione.
Pellicola alimentare	Solo per microonde. Utilizzare per coprire gli alimenti durante la cottura per trattenere l'umidità. Evitare il contatto diretto con gli alimenti.
Termometri	Solo per microonde (termometri per carne e dolci).
Carta cerata	Utilizzare la carta come un coperchio per evitare schizzi e trattenere l'umidità.

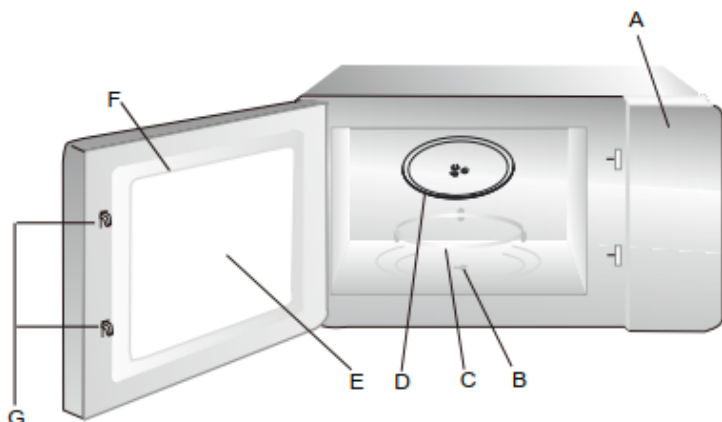
MATERIALI DA EVITARE PER LA COTTURA NEL MICROONDE

Utensili	Note
Vaschette in alluminio	Possono causare un arco voltaico. Trasferire gli alimenti in un piatto adatto al microonde.
Cartone per alimenti con maniglie in metallo	Possono causare un arco voltaico. Trasferire gli alimenti in un piatto adatto al microonde.
Utensili in metallo o con profili metallici	Il metallo schermata gli alimenti dall'energia a microonde. I profili metallici possono causare un arco voltaico.
Lacci in metallo	Possono causare un arco voltaico e generare il rischio di incendio nel forno
Sacchetti di carta	Possono generare il rischio di incendio nel forno.
Polistirolo	Il polistirolo può sciogliersi o contaminare il liquido all'interno in caso di esposizione
Legno	Il legno si essiccherà se utilizzato nel forno a microonde e potrebbe mostrare delle crepe o rompersi.

Nomi delle parti e degli accessori del forno

Rimuovere il forno e tutti i materiali dal cartone e dalla cavità del forno. Il forno viene fornito con i seguenti accessori:

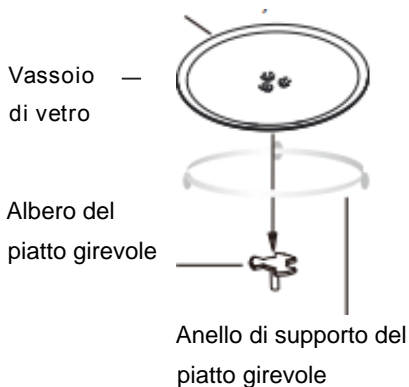
Vassoio di vetro	1
Anello di supporto del piatto girevole	1
Manuale di istruzioni	1



- A) Pannello dei comandi
- B) Albero del piatto girevole
- C) Anello di supporto del piatto girevole
- D) Vassoio di vetro
- E) Finestra di osservazione
- F) Assemblaggio della porta
- G) Sistema di blocco di sicurezza

Installazione del piatto girevole

Centro (lato inferiore)



- a) Non capovolgere il vassoio di vetro. Il vassoio di vetro non deve mai essere limitato nel movimento.
- b. Il vassoio di vetro e l'anello di supporto del piatto girevole devono entrambi essere utilizzati durante la cottura.
- c. Tutti gli alimenti e i contenitori devono sempre essere posizionati sul vassoio di vetro per la cottura.
- d. Se il vassoio di vetro o l'anello di supporto del piatto girevole crepano o si rompono, contattare il centro assistenza autorizzato più vicino.

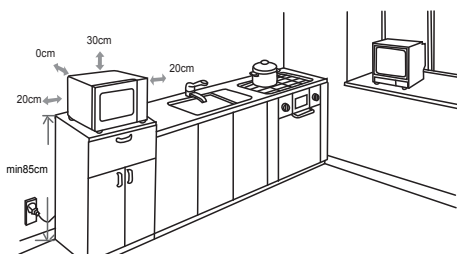
INSTALLAZIONE DA BANCO

Rimuovere tutto il materiale di imballaggio e gli accessori. Esaminare il forno per eventuali danni come ammaccature o porta rotta. Non installare se il forno è danneggiato.

Armadio: rimuovere eventuali pellicole protettive presenti sulla superficie dell'armadio del forno a microonde. Non rimuovere il coperchio in mica marrone chiaro che è attaccato alla cavità del forno per proteggere il magnetron.

INSTALLAZIONE

1. Selezionare una superficie piana che offra spazio sufficiente per le prese di aspirazione e / o di uscita.



- (1) L'altezza minima di installazione è di 85 cm.
- (2) La superficie posteriore dell'apparecchio deve essere posizionata contro una parete.
Lasciare uno spazio minimo di 30 cm sopra il forno, è necessario uno spazio minimo di 20 cm tra il forno e le pareti adiacenti.
- (3) Non rimuovere le gambe dal fondo del forno.
- (4) Blocco dell'assunzione e / o aperture di uscita possono danneggiare il forno.
- (5) Posizionare il forno il più lontano possibile da radio e TV. Il funzionamento del forno a microonde può causare interferenze alla ricezione radio o TV.

2. Collegare il forno a una presa domestica standard. Assicurarsi che la tensione e la frequenza è la stessa della tensione e della frequenza sulla targhetta.

ATTENZIONE: Non installare il forno su un piano cottura o altro apparecchio che produce calore. Se installato vicino o sopra una fonte di calore, il forno potrebbe essere danneggiato e la garanzia sarebbe annullata.

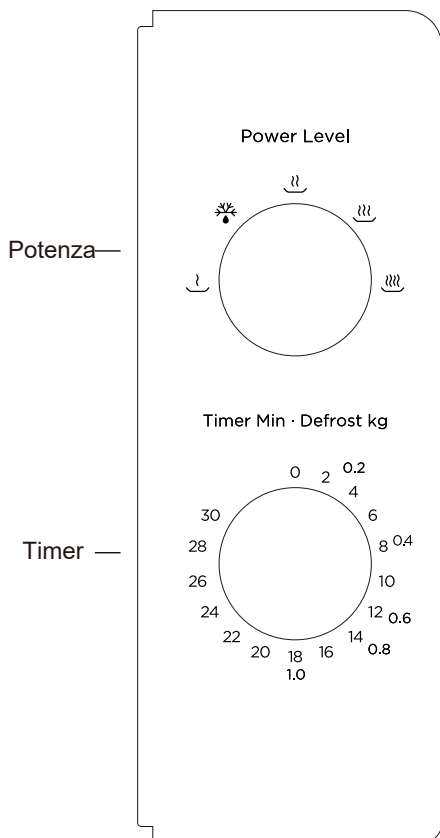
La superficie accessibile potrebbe essere calda durante il funzionamento.





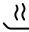
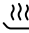
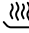
OPERAZIONE

Pannello di controllo e funzionalità

Istruzioni per l'uso



1. Per impostare la potenza di cottura ruotando la manopola della potenza sul livello desiderato.
2. Per impostare il tempo di cottura ruotando la manopola del timer sul tempo desiderato secondo la guida alla cottura degli alimenti.
3. Il forno a microonde inizierà automaticamente la cottura dopo aver impostato il livello di potenza e il tempo.
4. Quando il tempo di cottura è scaduto, l'unità farà "Dong" per fermarsi.
5. Se l'unità non è in uso, impostare sempre il tempo su "0".

Funzione/Potenza	Output	Applicazione
	17% micro.	Ammorbidire il gelato
	33% micro.	Zuppa, ammorbidire il burro o scongelare
	55% micro.	Zuppa, pesce
	77% micro.	Riso, pesce, pollo, carne macinata
	100% micro.	Riscaldare, latte, far bollire acqua, verdure, bevande

Avviso: Quando si rimuove il cibo dal forno, assicurarsi che l'alimentazione del forno sia spenta ruotando l'interruttore del timer su 0 (zero).

In caso contrario, e il funzionamento del forno a microonde senza cibo all'interno, può causare surriscaldamento e danni al magnetron.

Risoluzione dei problemi

Normale	
Forno a microonde che interferisce con la ricezione TV	La ricezione della radio e della TV può essere disturbata quando il microonde è in funzione. Questo fenomeno è simile all'interferenza delle piccole apparecchiature elettriche, quali ad esempio mixer, aspirapolvere ed elettroventilatore. È una condizione normale.
Luce variabile del forno	Impostando la cottura a microonde a bassa potenza, la luce del forno si attenua. È una condizione normale.
Il vapore si accumula sullo sportello e l'aria calda fuoriesce dalle prese di areazione.	Durante la cottura, può generarsi vapore che fuoriesce dagli alimenti. La maggior parte del vapore uscirà dalle prese di areazione, ma una parte si accumulerà in una zona fredda, come ad esempio lo sportello del forno. È una condizione normale.
Il forno si è avviato accidentalmente da vuoto.	È vietato azionare l'apparecchio se non contiene alcun alimento. È estremamente pericoloso.

Problema	Possibile causa	Soluzione
Il forno non si accende.	(1) Il cavo di alimentazione non è collegato correttamente.	Scollegare il cavo. Attendere 10 second e collegarlo nuovamente.
	(2) Il fusibile salta o l'interruttore automatico si è attivato.	Sostituire il fusibile o resettare l'interruttore automatico (queste operazioni devono essere eseguite dal personale qualificato della nostra società).
	(3) Problema della presa.	Provare la presa collegando altre apparecchiature elettriche.
Il forno non si scalda	Lo sportello non si chiude bene.	Chiudere lo sportello correttamente.



In conformità con la direttiva WEEE (rifiuti di apparecchiature elettriche ed elettroniche), tali rifiuti devono essere raccolti e trattati separatamente. Nel caso in cui, in qualunque momento in futuro, sia necessario smaltire l'apparecchio, si raccomanda di NON smaltirlo con i rifiuti domestici. Consegnare l'apparecchio nei punti di raccolta dei WEEE, ove disponibili.



VOX
ELECTRONICS

DEU

Mikrowelle
BEDIENUNGSANLEITUNG
MWH M19

Lesen Sie diese Anleitung sorgfältig durch, bevor Sie Ihre Mikrowelle benutzen, und bewahren Sie sie für die weitere Nutzung auf.

Wenn Sie die Anweisungen befolgen, wird Ihre Mikrowelle Ihnen viele Jahre lang gute Dienste leisten.

**BEWAHREN SIE DIESE ANLEITUNG
FÜR WEITERE NUTZUNG AUF.**

SICHERHEITSMARNAHMEN ZUR VERMEIDUNG EINER MÖGLICHEN AUSSETZUNG ÜBERMÄRIGER MIKROWELLENENERGIE

- a) Verwenden Sie dieses Gerät keinesfalls mit geöffneter Tür, da Sie sich dadurch schädlicher Mikrowellenstrahlung aussetzen. Die Sicherheitsverriegelung darf nicht manipuliert oder funktionsunfähig gemacht werden.
- b) Stellen Sie keine Gegenstände zwischen die Vorderseite des Geräts und der Tür und achten Sie darauf, dass sich kein Schmutz oder Reinigungsrückstände auf den Dichtungsflächen befinden.
- c) **WARNUNG:** Wenn die Tür oder die Türdichtung beschädigt ist, darf das Gerät erst dann wieder verwendet werden, wenn der Schaden durch einen Sachverständigen behoben wurde.

ERGÄNZUNG

Wenn Sie das Gerät nicht in einem sauberen Zustand halten, kann sich die Oberfläche abnutzen, was sich negativ auf die Lebensdauer des Gerätes auswirken und möglicherweise zu gefährlichen Situationen führen kann.

TECHNISCHE DATEN

Modell:	MWH M19
Nennspannung:	230-240 V~ 50 Hz
Nennausgangsleistung:	1020 W
Nennausgangsleistung:	700 W

WICHTIGE SICHERHEITSHINWEISE WARNUNG

Bei der Verwendung von Elektrogeräten sollten immer grundlegende Sicherheitsmaßnahmen befolgt werden, um die Gefahr von Feuer, Stromschlag, Verletzungen und Aussetzung übermäßiger Mikrowellenenergie zu reduzieren, einschließlich der folgenden:

1. Lesen und befolgen Sie den Abschnitt „Sicherheitsmaßnahmen zur Vermeidung einer möglichen Aussetzung übermäßiger Mikrowellenenergie“
2. Dieses Gerät kann von Kindern ab 8 Jahren und von Personen mit eingeschränkten körperlichen, sensorischen oder geistigen Fähigkeiten oder mit Mangel an Erfahrung und Kenntnissen verwendet werden, wenn sie beaufsichtigt werden oder Anweisungen zur sicheren Verwendung des Gerätes erhalten haben und die mit dem Gerät verbundenen Gefahren verstehen. Kinder dürfen nicht mit dem Gerät spielen. Reinigungs- und Wartungsarbeiten dürfen nicht von Kindern durchgeführt werden, es sei denn, sie sind älter als 8 Jahre alt und werden beaufsichtigt.
3. Halten Sie das Gerät und die Anschlussleitung von Kindern unter 8 Jahren fern.
4. Wenn das Netzstromkabel beschädigt ist, muss es vom Hersteller, dem Kundendienst oder einer in ähnlicher Weise qualifizierten Person ersetzt werden, um Sach- und/oder Personenschäden zu vermeiden.

5.WARNUNG: Vergewissern Sie sich, dass das Gerät ausgeschaltet ist, bevor Sie die Lampe im Inneren ersetzen, da ansonsten Stromschlaggefahr besteht.

6.WARNUNG: Versuchen Sie keinesfalls, das Gerät selbst zu reparieren oder die Schutzabdeckung der Mikrowelle abzuschrauben, sondern wenden Sie sich hierfür an den Kundendienst oder eine in ähnlicher Weise qualifizierte Person, um Sachund/oder Personenschäden zu vermeiden.

7. WARNUNG: Flüssigkeiten und andere Nahrungsmittel dürfen keinesfalls in verschlossenen Behältern erhitzt werden, da hierbei die Gefahr besteht, dass die Behälter explodieren.

8. Lassen Sie das Gerät nicht unbeaufsichtigt, wenn Sie Lebensmittel in Plastik- oder Pappbehältern aufwärmen, da dadurch Brandgefahr besteht.

9. Verwenden Sie ausschließlich mikrowellengeeignetes Zubehör.

10. Schalten Sie bei Rauchentwicklung das Gerät aus oder ziehen Sie den Netzstecker aus der Steckdose. Halten Sie die Tür der Mikrowelle geschlossen, um eventuell auftretende Flammen zu ersticken.

11. Das Erhitzen von Getränken in der Mikrowelle kann zu einem verzögertem aufkochen führen. Lassen Sie bei dem Umgang mit dem Behälter Vorsicht walten.

12. Wenn Sie Babyfläschchen oder Babygläser aufwärmen, sollten Sie diese nach dem Erhitzen umrühren oder schütteln und die Temperatur überprüfen, um Verbrennungen bei Ihrem Baby zu vermeiden.

13.Hartgekochte Eier und Eier mit Schale sollten keinesfalls in der Mikrowelle erhitzt werden, da diese sogar nach dem Erhitzungsvorgang der Mikrowelle noch explodieren können.

14. Das Gerät sollte regelmäßig gereinigt und Essensrückstände entfernt werden.

15. Sollten Sie versäumen, das Gerät in einem sauberen Zustand zu erhalten, kann dies zu einem Verschleiß der Geräteoberflächen führen, was die Lebensdauer des Geräts vermindern und zu gefährlichen Situationen führen kann.

16. Das Gerät darf nicht hinter einer Ziertür installiert werden, um ein Überhitzen zu vermeiden (Dies gilt nicht für Geräte mit Ziertür).

17. Verwenden Sie ausschließlich die für die Temperaturkontrolle empfohlene Messsonde (für Mikrowellen, die mit einer Möglichkeit zur Verwendung einer Messsonde ausgestattet sind).

18. Die Mikrowelle darf nicht in einem Schrank positioniert werden, es sei denn, sie wurde in einem Schrank getestet.

19. Mikrowellen, welche über eine dekorative Tür verfügen, dürfen nur verwendet werden, wenn die dekorative Tür geöffnet ist.

20. Dieses Gerät darf nur in Haushalten und ähnlichen Umgebungen verwendet werden. Hierzu zählen unter anderem:

- Mitarbeiterküchen in Läden, Büros und anderen Arbeitsumgebungen
- von Kunden in Hotels, Motels und anderen wohnähnlichen Umgebungen
- Bauernhäusern
- Bed & Breakfasts

21. Diese Mikrowelle ist dafür ausgelegt, Lebensmittel und Getränke zu erhitzen. Das Trocknen von Lebensmitteln oder Kleidung und das Erhitzen von Wärmekissen, Hausschuhen, Schwämmen, feuchter Kleidung und ähnlichem, kann zu Verletzungen und Feuer führen.

22. Metallische Behälter, welche Lebensmittel oder Getränke enthalten, dürfen nicht in der Mikrowelle erhitzt werden.

- 23. Dampfreiniger sind für die Reinigung des Geräts nicht geeignet und dürfen nicht verwendet werden.
- 24. Das Gerät ist für den freistehenden Gebrauch vorgesehen.
- 25. Die Rückseite des Gerätes sollte gegen eine Wand positioniert werden.

**LESEN SIE DIESE BEDIENUNGSANLEITUNG
SORGFÄLTIG DURCH UND BEWAHREN SIE SIE
FÜR DIE WEITERE NUTZUNG AUF**

Um die Gefahr von Körperverletzungen zu reduzieren

Erdung

GEFAHR

Gefahr eines Stromschlags! Die Berührung einiger der Innenteile kann zu schweren oder tödlichen Körperverletzungen führen.

WARNUNG

Gefahr eines Stromschlags! Eine unsachgemäße Verwendung der Erdung kann zu einem Stromschlag führen. Schließen Sie das Gerät erst an eine Steckdose an, wenn es ordnungsgemäß installiert und geerdet wurde. Dieses Gerät muss geerdet werden. Im Falle eines Kurzschlusses reduziert die Erdung die Gefahr eines Stromschlags, indem sie eine Ableitung für den Strom bereitstellt. Dieses Gerät ist mit einer Leitung mit Schutzleiter und Schutzkontakt ausgestattet. Der Netzstecker muss an eine Steckdose angeschlossen werden, die ordnungsgemäß installiert und geerdet wurde. Erkundigen Sie sich bei einem qualifizierten Elektriker oder Servicetechniker, wenn Sie die Anweisungen zur Erdung nicht vollständig verstehen oder wenn Sie Zweifel haben, ob das Gerät ordnungsgemäß geerdet ist.

Wenn die Verwendung eine Verlängerungsleitung erforderlich sein sollte, verwenden Sie ausschließlich ein 3-adriges Kabel.

1. Es ist eine kurze Anschlussleitung am Gerät angebracht, um die Risiken zu reduzieren, sich an einer längeren Leitung zu verfangen oder darüber zu stolpern.
2. Wenn eine lange Anschlussleitung oder eine Verlängerungsleitung verwendet wird:
 - 1) Die angegebene elektrische Leistung der Anschlussleitung oder der Verlängerungsleitung sollte mindestens ebenso hoch sein wie die elektrische Leistung des Gerätes.
 - 2) Die Verlängerungsleitung muss über ein 3-adriges Kabel mit Erdung verfügen.
 - 3) Die lange Anschlussleitung sollte so angebracht werden, dass sie nicht über Theken- oder Tischflächen hängt, an denen Kinder daran ziehen oder Personen darüber stolpern könnten.

REINIGUNG

Achten Sie darauf, das Gerät von der Stromversorgung zu trennen.

1. Reinigen Sie den Innenraum des Gerätes nach der Verwendung mit einem leicht angefeuchteten Tuch.
2. Reinigen Sie die Zubehörteile mit Seifenwasser.
3. Der Türrahmen und die Dichtung müssen ebenso wie die umliegenden Teile sorgfältig mit einem feuchten Tuch gereinigt werden, wenn sie verschmutzt sind.
4. Verwenden Sie keine aggressiven und scheuernden Reinigungsmittel oder scharfe Metallschaber, um die Glastür des Gerätes zu reinigen. Diese können die Oberfläche zerkratzen, was zu einem Zersplittern des Glases führen kann.
5. Tipp für die Reinigung – Zur einfacheren Reinigung der Wände im Innenraum, die mit zuzubereitenden Lebensmitteln in Kontakt gekommen sind: Legen Sie eine halbe Zitrone in eine Schale, fügen Sie 300 ml Wasser hinzu und erhitzen Sie die Schale 10 Minuten lang bei 100 % Mikrowellenleistung. Wischen Sie das Gerät mit einem weichen, trockenen Tuch ab.

KOCHWERKZEUGE VORSICHT!

Körperversetzungsgefahr.

Für nicht fachkundige Personen ist die Durchführung von Wartungs- oder Reparaturmaßnahmen gefährlich, wenn dabei eine Abdeckung entfernt wird, die vor Mikrowellenstrahlung schützt.

Beachten Sie die Anweisungen unter „Materialien, die Sie in der Mikrowelle verwenden können oder nicht verwenden sollten“. Bestimmte nicht-metallische Kochwerkzeuge sind möglicherweise nicht mikrowellengeeignet. Im Zweifelsfall können Sie das fragliche Kochwerkzeug anhand der nachfolgenden Vorgehensweise testen.

Test für Kochwerkzeuge:

1. Befüllen Sie ein mikrowellengeeignetes Gefäß mit 1 Tasse kaltem Wasser (250 ml) und legen Sie das fragliche Kochwerkzeug hinein.
2. Stellen Sie es für 1 Minute bei maximaler Leistung in die Mikrowelle.
3. Berühren Sie das Kochwerkzeug vorsichtig. Wenn sich das Kochwerkzeug warm anfühlt, verwenden Sie es nicht zur Zubereitung in der Mikrowelle.
4. Überschreiten Sie nicht 1 Minute Zubereitungszeit.

MATERIALIEN, DIE IN DER MIKROWELLE VERWENDET WERDEN KÖNNEN

Zubehör	Anmerkungen
Bräter	Befolgen Sie die Anweisungen des Herstellers. Der Boden des Bräters muss sich mindestens 5 mm oberhalb der Drehplatte befinden. Bei unsachgemäßer Verwendung kann die Drehplatte zerbrechen.
Essgeschirr	Nur mikrowellengeeignete Artikel. Befolgen Sie die Anweisungen des Herstellers. Verwenden Sie kein angeschlagenes oder zerbrochenes Geschirr.
Glasgefäße	Entfernen Sie immer den Deckel. Nur zum Erwärmen von Lebensmitteln verwenden. Die meisten Glasgefäße sind nicht hitzebeständig und könnten zerbrechen
Glasgeschirr	Nur hitzebeständiges, backofenfestes Glasgeschirr. Achten Sie darauf, dass es keine Metallteile enthält. Verwenden Sie kein angeschlagenes oder zerbrochenes Geschirr.
Backofen-Kochbeutel	Befolgen Sie die Anweisungen des Herstellers. Nicht mit metallischen Verschlussklemmen verschließen. Stechen Sie Schlitze in den Beutel, damit Dampf entweichen kann.
Pappteller und -becher	Nur zum kurzfristigen Zubereiten/Aufwärmen. Während der Zubereitung nicht unbeaufsichtigt lassen.
Papiertücher	Zum Abdecken von Lebensmitteln beim Aufwärmen und zum Absorbieren von Fett verwenden. Nur zur kurzfristigen Zubereitung und nur unter Beaufsichtigung verwenden.
Fettpapier	Als Abdeckung verwenden, um ein Abspritzen oder Austrocknen zu vermeiden oder zum Einwickeln für Dampfgaren.
Kunststoff	Nur mikrowellengeeignete Artikel. Befolgen Sie die Anweisungen des Herstellers. Muss als mikrowellengeeignet markiert sein. Einige Kunststoffgefäße werden weich, wenn die darin enthaltenen Lebensmittel warm werden. „Kochbeutel“ und fest verschlossene Kunststofftüten müssen nach Packungsanweisung eingeschnitten, angestochen oder belüftet werden.
Kunststofffolie	Nur mikrowellengeeignete Artikel. Zum Abdecken von Lebensmitteln bei der Zubereitung verwenden, um sie vor dem Austrocknen zu schützen. Die Kunststofffolie darf die Lebensmittel nicht berühren.
Thermometer	Nur mikrowellengeeignete Thermometer (Fleisch- und Zuckerthermometer).
Wachspapier	Verwenden Sie das Wachspapier als Abdeckung, um ein Spritzen zu vermeiden und die Feuchtigkeit der Lebensmittel zu bewahren.

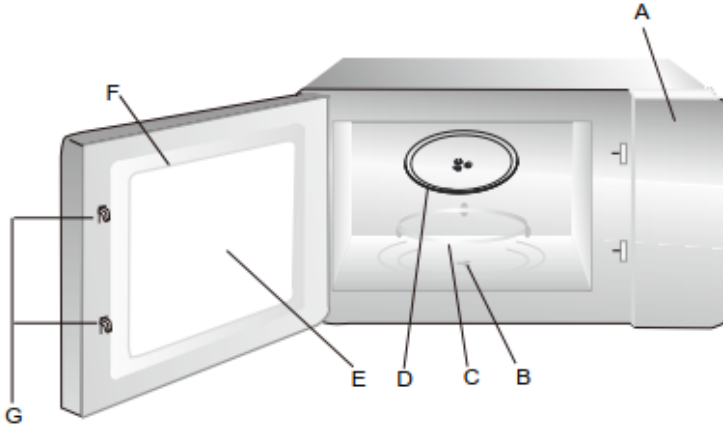
MATERIALIEN, DIE IN DER MIKROWELLE NICHT VERWENDET WERDEN SOLLTEN

Zubehör	Anmerkungen
Aluminiumblech	kann zu Funkenbildung führen. Geben Sie die Lebensmittel in einen mikrowellengeeigneten Behälter.
Nahrungsmittelbehälter mit Metallklammer	kann zu Funkenbildung führen. Geben Sie die Lebensmittel in einen mikrowellengeeigneten Behälter.
Metallzubehör oder Zubehör mit Metallbestandteilen	Metall hält die Mikrowellen-Energie von den Lebensmitteln ab. Metallrahmen können zu Funkenbildung führen.
Metallklammern	können zu Funkenbildung führen und einen Brand im Inneren der Mikrowelle verursachen.
Papiertütern	können einen Brand im Inneren der Mikrowelle verursachen.
Schaumstoff	Schaumstoff könnte schmelzen oder die Flüssigkeit im inneren des Schaumstoffbehälters kontaminieren, wenn er heißen Temperaturen ausgesetzt wird.
Holz	trocknet bei der Verwendung in der Mikrowelle aus und kann splintern oder reißen.

Inhalt

Entfernen Sie das gesamte Verpackungsmaterial und Zubehör. Die Verpackung enthält die folgenden Teile:

Glasteller	1
Drehplatten-Ringelement	1
Bedienungsanleitung	1



- A) Bedienfeld
- B) Drehplatten-Achse
- C) Drehplatten-Ringelement
- D) Glasteller
- E) Sichtfenster
- F) Türelement
- G) Sicherheits-Sperrsystem

Drehplatte einsetzen

Drehpunkt
(Unterseite)

Glasteller

Drehplatte
Achse



Drehplatten-
Ringelement

Drehplatte einsetzen

- a. Positionieren Sie den Glasteller nicht mit der Oberseite nach unten. Der Glasteller darf nicht gebremst werden
- b. Bei der Zubereitung muss stets sowohl der Glasteller als auch das Drehplatten-Ringelement verwendet werden.
- c. Sämtliche Lebensmittel und Lebensmittel-Gefäße müssen stets zur Zubereitung auf dem Glasteller positioniert werden.
- d. Wenn der Glasteller oder das Drehplatten-Ringelement Risse hat oder bricht, kontaktieren Sie eine Servicestelle in Ihrer Nähe.

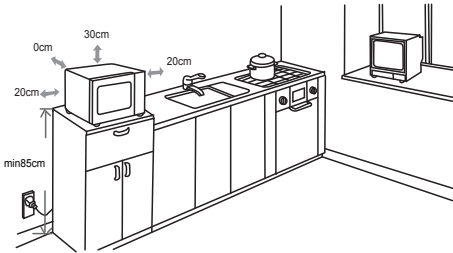
Installation auf einer Arbeitsfläche

Entfernen Sie das gesamte Verpackungsmaterial und Zubehör. Überprüfen Sie das Gerät auf Schäden wie etwa Dellen oder Beschädigungen an der Tür. Installieren Sie das Gerät nicht, wenn es beschädigt ist.

Gehäuse: Entfernen Sie die gesamte Schutzfolie von der Gehäuseoberfläche der Mikrowelle. Entfernen Sie nicht die hellbraune Wellenleiterabdeckung, die am Innenraum des Gerätes angebracht ist, um die Magnetfeldröhre zu schützen.

INSTALLATION

1. Wählen Sie eine ebene Oberfläche mit ausreichend freiem Platz für die Lufteintritts- und/oder Austrittsschlitze.



(1) Die Mindest-Installationshöhe beträgt 85 cm.

(2) Die Rückseite des Gerätes sollte gegen eine Wand positioniert werden. Halten Sie einen Mindestabstand von 30 cm oberhalb des Gerätes ein. Zwischen dem Gerät und angrenzenden Wänden ist ein Mindestabstand von 20 cm erforderlich.

(3) Entfernen Sie nicht die Beine von der Unterseite des Gerätes. (4) Eine Blockierung der Lufteintritts- und/oder Austrittsöffnungen kann das Gerät beschädigen.

(5) Positionieren Sie das Gerät so weit entfernt wie möglich von Radio- und Fernsehgeräten entfernt. Der Betrieb einer Mikrowelle kann den Radio- oder TV-Empfang stören.

2. Schließen Sie Ihr Gerät an einer Standard-Haushaltssteckdose an. Achten Sie darauf, dass die Spannung und die Frequenz mit den Werten am Typenschild übereinstimmen.

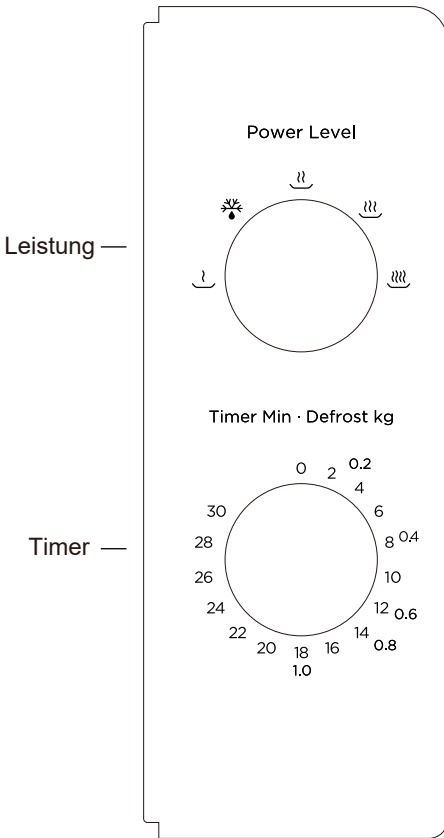
WARNUNG: Platzieren Sie das Gerät nicht oberhalb eines Herdes, Kochfeldes oder über anderen wärmeerzeugenden Geräten. Wenn das Gerät in der Nähe oder oberhalb einer Wärmequelle platziert wird, kann es beschädigt werden und die Garantie erlischt.

Die zugängliche Oberfläche kann während des Betriebs heiß sein.



BETRIEB

Bedienfeld und Funktionen Betriebsanleitung



1. Um die gewünschte Leistungsstufe einzustellen, drehen Sie die Funktionsdrehschalter.
2. Um die Garzeit einzustellen, drehen Sie den Timer-Knopf auf die gewünschte Zeit gemäß Anleitung.
3. Die Mikrowelle startet automatisch den Garvorgang, nachdem die Leistungsstufe und die Zeit eingestellt wurden.
4. Wenn die Garzeit abgelaufen ist, schaltet das Gerät mit einem "Dong" ab.
5. Wenn das Gerät nicht in Gebrauch ist, stellen Sie die Zeit immer auf "0".

Funktion/Leistung	Output	Anwendung
⌋	17% micro.	Speiseeis erweichen
☀	33% micro.	Suppeneintopf, Butter erweichen oder auftauen
⌋	55% micro.	Eintopf, Fisch
⌋	77% micro.	Reis, Fisch, Huhn, Hackfleisch
⌋	100% micro.	Aufwärmen, Milch, kochendes Wasser, Gemüse, Getränke

Hinweis: Vergewissern Sie sich vor der Entnahme von Speisen aus der Mikrowelle, dass die Mikrowelle ausgeschaltet ist, indem Sie den Zeitschalter auf 0 (Null) stellen. Wenn Sie dies nicht tun und die Mikrowelle ohne Lebensmittel in Betrieb nehmen, kann es zu Überhitzung und Schaden am Magnetron kommen.

Fehlerbehebung

<i>Normal</i>	
Die Mikrowelle stört den TVEmpfang	Der Radio- und Fernseh-Empfang kann während des Betriebs der Mikrowelle gestört werden. Dies sind ähnliche Störungen wie durch kleine Elektrogeräte, wie etwa Mixer, Staubsauger und Ventilatoren. Dies ist normal.
Schwaches Licht im Gerät	Bei der Verwendung einer geringen Mikrowellenleistung kann das Licht im Gerät schwächer werden. Dies ist normal.
Dampf sammelt sich an der Tür, heiße Luft strömt aus den Belüftungsöffnungen.	Während der Zubereitung kann es vorkommen, dass Dampf aus den Lebensmitteln heraus kommt. Der meiste Dampf strömt aus den Belüftungsöffnungen heraus. Es kann vorkommen und ist völlig normal, dass etwas Dampf sich an kalten Plätzen, wie der Tür ansammelt.
Das Gerät wurde versehentlich ohne Lebensmittel gestartet.	Es ist verboten, die Mikrowelle ohne Lebensmittel im Inneren zu verwenden, da dies sehr gefährlich ist.

<i>Problem</i>	Mögliche Ursache	Behebung
Die Mikrowelle kann nicht gestartet werden.	(1) Das Netzstromkabel wurde nicht richtig eingesteckt.	.Ziehen Sie den Netzstecker ab. Schließen Sie ihn nach 10 Sekunden erneut an.
	(2) Die Sicherung ist durchgebrannt oder der Schutzschalter wurde ausgelöst.	Ersetzen Sie die Sicherung oder schalten Sie den Schutzschalter wieder ein. (Reparaturmaßnahmen sollten von Fachkräften unseres Unternehmens durchgeführt werden.)
	(3) Problem mit der Steckdose.	Testen Sie die Steckdose mit anderen Elektrogeräten.
Die Mikrowelle erhitzt sich nicht.	(4) Die Tür ist nicht ordnungsgemäß geschlossen.	Schließen Sie die Tür ordnungsgemäß.



Dieses Elektrogerät wurde entsprechend der EU-Richtlinie über Elektro- und Elektronik-Altgeräte (WEEE) gekennzeichnet. Dieses Produkt darf nicht mit dem normalen Hausmüll entsorgt werden. Kontaktieren Sie Ihre Gemeindeabfallstelle für Informationen über die nächstgelegene autorisierte WEEE Sammelstelle.

PN:P000006440727



VOX
ELECTRONICS

RUS

Микроволновая печь

ИНСТРУКЦИЯ ПО ЭКСПЛУАТАЦИИ

MWH M19

Внимательно прочитайте настоящую инструкцию перед использованием микроволновой печи и бережно храните.

Если будете следовать инструкциям, ваша микроволновая печь обеспечит вам долгие годы хорошей работы.

**БЕРЕЖНО ХРАНИТЕ НАСТОЯЩУЮ
ИНСТРУКЦИЮ**

МЕРЫ ПРЕДОСТОРОЖНОСТИ ВО ИЗБЕЖАНИЕ ВОЗМОЖНОГО ВОЗДЕЙСТВИЯ ИЗБЫТОЧНОЙ МИКРОВОЛНОВОЙ ЭНЕРГИИ

(a) Не пытайтесь использовать данную печь с открытой дверцей, так как это может привести к вредному воздействию микроволновой энергии. Важно не ломать и не оказывать воздействие на блокировки безопасности.

(b) Не размещайте какие-либо предметы между передней части печи и дверцей, а также не допускайте скопления грязи или остатков чистящего средства на уплотнительных поверхностях.

ВНИМАНИЕ: Если дверь или уплотнительная поверхность на двери повреждены, печь нельзя использовать пока она не будет отремонтирована компетентным лицом.

ДОПОЛНЕНИЕ

Если устройство не поддерживается в чистом состоянии, то поверхность может ухудшиться и повлиять на его срок службы, а также привести к опасной ситуации.

ХАРАКТЕРИСТИКИ

Модель:	MWH M19
Номинальное напряжение:	230-240 V~ 50 Hz
Расчетная потребляемая мощность :	1020 W
Номинальная выходная мощность :	700 W

ВАЖНЫЕ ПРЕДУПРЕЖДЕНИЯ ПО ПРАВИЛАМ ТЕХНИКИ БЕЗОПАСНОСТИ

Чтобы уменьшить риск возникновения пожара, поражения электрическим током, травм персонала или воздействия чрезмерной энергии микроволновой печи при использовании устройства, необходимо соблюдать основные меры предосторожности, включая следующие:

1. Прочитайте и следуйте соответствующим: «**МЕРАМ ПРЕДОСТОРОЖНОСТИ ВО ИЗБЕЖАНИЕ ВОЗМОЖНОГО ВОЗДЕЙСТВИЯ ИЗБЫТОЧНОЙ МИКРОВОЛНОВОЙ ЭНЕРГИИ**».

2. Данное устройство может использоваться детьми в возрасте от 8 лет и старше, а также лицами с ограниченными физическими, сенсорными или умственными способностями, или недостатком опыта и знаний, если проведен надзор или инструкции относительно безопасного использования устройства, и они ознакомлены с опасностями, которые могут возникнуть. Дети не должны играть с устройством. Чистка и обслуживание не должны осуществляться детьми, которым менее 8 лет и не находятся под присмотром. Дети в возрасте до 8 лет должны оставаться в стороне от устройства, если не находятся под постоянным наблюдением.

3. Храните устройство и его шнур в недоступном месте для детей младше 8.

4. Если шнур питания поврежден, он должен, во избежание опасности, быть заменен производителем, его сервисным агентом или специалистами с аналогичной квалификацией

5. ВНИМАНИЕ: Во избежание поражения электрическим током, перед тем как заменить лампу убедитесь, что устройство выключено.
6. ВНИМАНИЕ: Для любого лица, кроме компетентных лиц, опасно выполнять какие-либо операции по обслуживанию или ремонту, которые включают снятие корпуса, который обеспечивает защиту от воздействия микроволновой энергии.
7. ВНИМАНИЕ: Жидкости и другие продукты нельзя нагревать в герметичных контейнерах, поскольку они могут взорваться.
8. При разогреве пищи в пластиковых или бумажных контейнерах нужно следить за духовкой из-за возможности возгорания.
9. Используйте только посуду, пригодную для использования в микроволновых печах.
10. При выделении дыма выключите или отключите устройство от сети и держите дверцу закрытой, чтобы подавить появляющееся пламя.
11. Микроволновый нагрев напитков может привести к закипанию и разбрызгиванию, поэтому при обращении с контейнером следует строго соблюдать осторожность.
12. Содержимое бутылочек для кормления и баночек с детским питанием следует взбалтывать или перемешивать и проверять температуру перед употреблением во избежание ожогов.
13. Яйца в скорлупе и яйца вкрутую не следует нагревать в микроволновых печах, поскольку они могут взорваться даже после того, как микроволновое нагревание заканчивается.

14. Печь следует регулярно чистить и удалять остатки пищи.
15. Невозможность поддерживать духовку в чистом состоянии может привести к ухудшению состояния поверхности, что может отрицательно повлиять на срок службы устройства и, возможно, привести к опасной ситуации.
16. Во избежание перегрева запрещается устанавливать устройство за декоративной дверцей (это не относится к устройствам с декоративной дверцей).
17. Используйте только температурный датчик, рекомендованный для данной печи (для печей, оснащенных оборудованием для использования датчика температуры).
18. Микроволновая печь не должна храниться в шкафу, если она не была проверена на пользование в шкафу.
19. Микроволновая печь должна эксплуатироваться с открытой декоративной дверцей (для печей с декоративной дверцей).
20. Данное устройство предназначено для использования в домашнем хозяйстве и аналогичных местах, таких как:
 - кухни для персонала в магазинах, офисах и других рабочих помещениях;
 - клиентами в гостиницах, мотелях и других жилых помещениях;
 - дома на ферме;
 - гостиницы типа «постель и завтрак».
21. Микроволновая печь предназначена для подогрева пищи и напитков. Сушка продуктов питания или одежды и нагревание грелок, тапочек, губок, влажной ткани и т.п. может привести к риску появления травм, возгорания или пожара.
22. Металлические контейнеры для пищи и напитков не допускаются для использования при приготовлении в микроволновой печи.
23. Устройство нельзя чистить пароочистителем.

24. Устройство предназначено для самостоятельного использования.

25. Задняя поверхность устройств должна быть помещена против стены.

**ПРОЧИТАЙТЕ ВНИМАТЕЛЬНО И СОХРАНИТЕ
ДЛЯ ПОСЛЕДУЮЩЕГО ИСПОЛЬЗОВАНИЯ**

Снижение риска получения травм от заземленных установок

ОПАСНОСТЬ

поражения электрическим током.

Прикосновение к некоторым внутренним компонентам может привести к серьезным травмам или смерти.

Не разбирайте данное устройство на части.

ОПАСНОСТЬ

поражения электрическим током.

Неправильное использование заземления может привести к поражению электрическим током. Не включайте в розетку, пока устройство не будет правильно установлено и заземлено. Данное устройство должно быть заземлено. В случае короткого замыкания заземление снижает риск поражения электрическим током, предоставляя защитный провод для электрического тока. Данное устройство оснащено шнуром с заземляющим проводом, у которого заземляющая вилка. Вилка должна быть подключена к розетке, которая правильно установлена и заземлена.

Проконсультируйтесь с квалифицированным электриком или специалистом по обслуживанию, если инструкции по заземлению не совсем понятные или если есть сомнения относительно того, правильно ли заземлено устройство.

При необходимости используйте удлинитель, используйте только удлинитель в трехпроводной системе.

1. Для сокращения рисков, связанных с запутыванием или спотыканием о шнур большей длины, предусмотрен короткий шнур питания.

2. Если используется длинный шнур или удлинитель: Номинальная мощность комплекта кабеля или удлинителя должна быть как минимум такой же, как и 1) электрическая мощность устройства.

2) Удлинитель должен быть в трехпроводной системе и заземляющего типа.

3) Длинный шнур должен быть расположен таким образом, чтобы не висеть со стойки или столешницы, откуда дети могут его потянуть на себя или случайно споткнуться.

ОЧИСТКА

Обязательно убедитесь, что отключили устройство от сети питания.

1. После использования печи слегка очистите внутреннюю часть влажной тканью.
2. Очистите аксессуары обычным способом в мыльной воде.
3. При загрязнении дверной рамы, уплотнения и соседних частей они должны быть тщательно очищены влажной тканью.
4. Не используйте жесткие абразивные чистящие средства или острые металлические скребки для чистки стекла дверцы печи, поскольку они могут поцарапать поверхность, что может привести к ломке стекла.

Насадка для чисти--- Для более простой очистки стенок внутренней части, к которой может прикоснуться приготовленная пища: Поместите половину лимона в миску, добавьте 300 мл (1/2 пинты) воды и нагревайте на 100% мощности микроволновой печи в течение 10 минут. Протрите духовку чистой сухой мягкой тряпкой.

ПОСУДА

ВНИМАНИЕ

Опасность травмы

Для любого лица, кроме компетентного опасно выполнять какие-либо операции по обслуживанию или ремонту, которые включают снятие крышки, которая обеспечивает защиту от воздействия микроволновой энергии.

Смотрите инструкции в разделе «Материалы, которые можно использовать или необходимо избегать в микроволновой печи». Могут существовать определенные неметаллические принадлежности, которые небезопасны для использования в микроволновой печи. Если вы сомневаетесь, то можете проверить соответствующую посуду, следуя процедуре ниже.

Тест посуды:

1. Заполните контейнер, который безопасен для использования в микроволновой печи с 1 чашкой холодной воды (250 мл) вместе с соответствующей посудой.
2. Готовить на максимальной мощности в течение 1 минуты.
3. Тщательно проверьте посуду на ощупь. Если пустая посуда теплая, не используйте ее для приготовления в микроволновой печи.
4. Не превышайте 1 минуту времени приготовления.

Материалы, которые можете использовать в микроволновой печи

Посуда	Примечания
Посуда для подрумянивания	Следуйте инструкциям производителя. Дно посуды для подрумянивания должно быть, как минимум на 3/16 дюйма (5 мм) выше поворотного стола. Неправильное использование может привести к поломке поворотного стола .
Столовая посуда	Только для микроволновых печей. Следуйте инструкциям производителя. Не используйте треснувшие или разломанные блюда.
Стекланные стаканы	Всегда снимайте крышку. Используйте только для разогрева пищи. Большинство стеклянных банок не являются огнеупорными и могут лопнуть.
Посуда из стекла	Только термостойкое стекло для духовки. Убедитесь, что нет металлической отделки. Не используйте треснувшие или сколотые блюда.
Пакеты для приготовления в печи	Следуйте инструкциям производителя. Не закрывайте металлическим элементом. Сделайте разрез для выхода пара.
Бумажные тарелки и чашки	Используйте только для кратковременного приготовления/разогрева. Не оставляйте печь без присмотра во время приготовления.
Бумажные полотенца	Используйте для покрытия пищи в целях разогрева и поглощения. Используйте под присмотром только для кратковременного приготовления.
Бумага для выпечки	Используйте в качестве крышки для предотвращения разбрызгивания или обертывания при приготовлении на пару.
Пластик	Только для микроволновых печей. Следуйте инструкциям производителя. Должен быть с отметкой «Предназначен для микроволновых печей». Некоторые пластиковые контейнеры размягчаются, так как пища внутри нагревается. «Пакеты для варки» и плотно закрытые пластиковые пакеты следует разрезать, прокалывать или делать в них отверстие в соответствии с указаниями упаковки
Пищевая стрейч-плёнка	Предназначена только для микроволновых печей. Использовать для покрытия пищи во время приготовления, в целях сохранения влаги. Не позволяйте полиэтиленовой пленке прикасаться к еде.
Термометры	Предназначены только для микроволновых печей (термометры для мяса и сладостей).
Парафинированная бумага	Использовать для покрытия пищи в целях предотвращения разбрызгивания и сохранения влаги.

Материалы, которые следует избегать для использования в микроволновой печи

Посуда	Примечания
Алюминиевый лоток	Может вызвать искрение. Переложить еду в микроволновую печь
Пищевая коробка с металлической ручкой	Может вызвать искрение. Переложить еду в микроволновую печь
Металл или металлическая посуда вызывают	Металл защищает пищу от микроволновой энергии. Металлическая обшивка может вызвать искрение.
Металлические упаковочные проводки	Может вызвать искрение и пожар в печи.
Бумажные пакеты	Может вызвать пожар в печи.
Пластмассовая пена	Пластмассовая пена может расплавиться или заразить жидкость при воздействии высокой температуры.
Древесина	Древесина высохнет при использовании в микроволновой печи и может расколоться или треснуть.

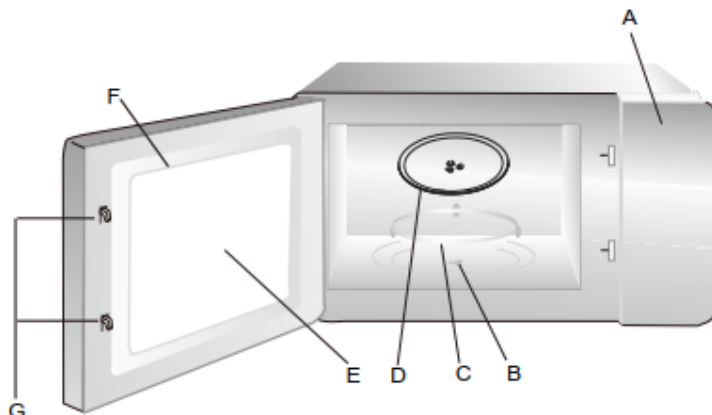
Названия печи

Части и аксессуары

Достаньте печь и все материалы из картона, а также внутреннюю часть печи.

Ваша печь поставляется со следующими аксессуарами:

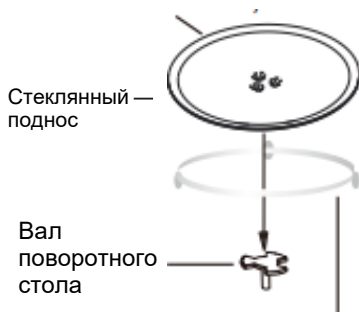
Стеклоподнос	1
Кольцо поворотного стола в комплекте	1
Инструкция по эксплуатации	1



- A) Панель управления
- B) Вал поворотного стола
- C) Кольцо поворотного стола в комплекте
- D) Стеклоподнос
- E) Окно для наблюдений
- F) Дверная конструкция
- G) Защитная блокировочная система

Установка поворотного стола

Центр (нижняя часть)



Кольцо поворотного
стола в комплекте

- a. Никогда не ставьте стеклоподнос вверх дном. Стеклоподнос никогда не должен быть ограничен.
- b. Во время приготовления всегда следует использовать как стеклоподнос, так и кольцо поворотного стола в комплекте.
- c. Все продукты питания и контейнеры с продуктами всегда размещаются на стеклоподносе для приготовления пищи.
- d. Если на стеклоподносе или кольце поворотного стола появляется трещина или оно ломается, то обратитесь в ближайший авторизованный сервисный центр.

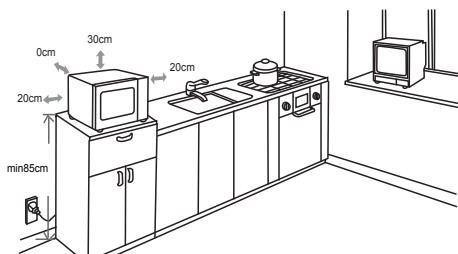
Установка на столешницу

Достаньте все упаковочные материалы и аксессуары. Проверьте печь на повреждения, такие как следы от удара или сломанная дверь. Не устанавливайте, если печь повреждена.

Корпус: удалите защитную пленку с поверхности корпуса микроволновой печи. Не снимайте светло-коричневую слюдяную пластину, которая прикреплена к внутренней части печи, в целях защиты магнетрона.

Установка

1. Выберите ровную поверхность, обеспечивающую достаточно открытого пространства для впускных и/или выпускных отверстий.



(1) Минимальная высота установки составляет 85 см. (2) Задняя поверхность устройства должна быть установлена против стены. Оставьте минимальное расстояние от 30см над печью, минимальное расстояние от 20см требуется между печью и любыми соседними стенами.

(3) Не снимайте ножки с нижней части печи.

(4) Блокировка впускных и/или выпускных отверстий может повредить печь.

(1) Поставьте печь как можно дальше от радио и телевизора. Работа микроволновой печи может мешать работе вашего радио или телевизора.

2. Подключите печь к обычной бытовой розетке. Убедитесь, что напряжение и частота совпадают с напряжением и частотой на табличке.

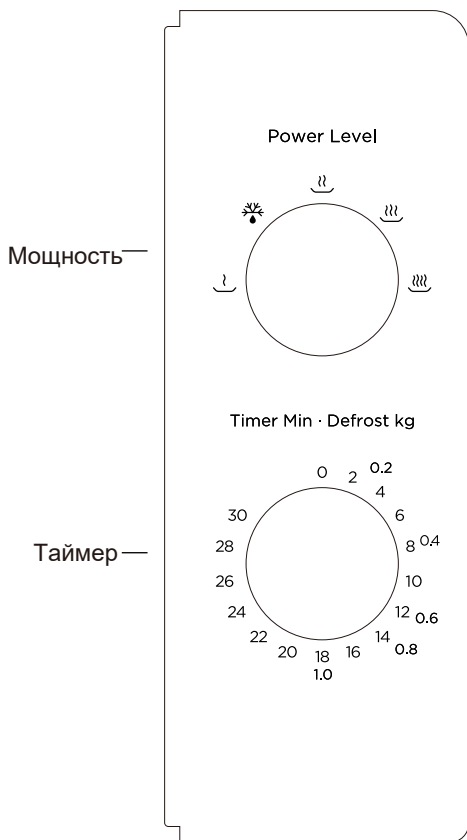
ПРЕДУПРЕЖДЕНИЕ: Не устанавливайте печь на плиту или другое устройство, выделяющее тепло. При установке рядом с источником тепла или над ним печь может быть повреждена, и гарантия будет недействительной.

Доступная поверхность может быть горячей во время работы.



ЭКСПЛУАТАЦИЯ

Панель управления и функции Инструкции по эксплуатации



1. Чтобы установить мощность приготовления, поверните ручку мощности на требуемый уровень.
2. Чтобы установить время приготовления, поверните ручку таймера на желаемое время в соответствии с руководством по приготовлению пищи.
3. Микроволновая печь автоматически начнет приготовление после установки уровня мощности и времени.
4. Когда время приготовления закончится, устройство издаст звуковой сигнал, чтобы остановить работу.
5. Если устройство не используется, всегда устанавливайте время на «0».

Функция/мощность	Выход	Применение
	17% micro.	Размягчить мороженое
	33% micro.	Тушеный суп, размягчить сливочное масло или разморозить
	55% micro.	Рагу, рыба
	77% micro.	Рис, рыба, курица, молотое мясо
	100% micro.	Подогрев, молоко, кипятить воду, овощи, напитки

Примечание: При извлечении продуктов из печи убедитесь, что питание печи выключено, переведя переключатель таймера в положение 0 (ноль). Невыполнение данного требования и работа микроволновой печи без продуктов может привести к перегреву и повреждению магнетрона.

Устранение неисправностей

Нормально	
Микроволновая печь мешает телевизионному приёму	При работе микроволновой печи могут мешать приему радио и телевизионных сигналов. Это похоже на помехи небольших электрических устройств, таких как миксер, пылесос и электрический вентилятор. Это нормально.
Тусклый свет печи	При приготовлении в микроволновой печи с низкой мощностью свет в духовке может стать тусклым. Это нормально.
Пар накапливается на двери, горячий воздух выходит из вентиляционных отверстий	При приготовлении еды может выходить пар. Большая часть выйдет из вентиляционных отверстий. Но некоторые могут накапливаться в прохладном месте, например, в дверце печи. Это нормально.
Печь случайно запустилась без еды внутри.	Запрещено запускать устройство без еды внутри. Это очень опасно.

Проблемы	Возможная причина	Средство
Печь не может быть запущена.	(1) Шнур питания не подключен плотно.	Отключите. Затем снова подключите через 10 секунд.
	(2) Предохранитель сгорел или сработал автоматический выключатель.	Замените предохранитель или перезагрузите автоматический выключатель (отремонтированный персоналом нашей компании)
	(3) Проблема с разъёмом.	Тестируйте разъём с другими электроприборами.
Печь не нагревается.	(4) Дверь плохо закрыта.	Хорошо закройте дверь.



Согласно директиве «Об отходах электрического и электронного оборудования» (Директива WEEE), отходы электрического и электронного оборудования следует собирать и обрабатывать отдельно. Если в будущем вам понадобится утилизировать данный продукт, пожалуйста, НЕ утилизируйте его вместе с бытовыми отходами. Отправьте, пожалуйста, данный продукт в пункты сбора отходов электрического и электронного оборудования, где это доступно.



VOX
ELECTRONICS

SRB

Mikrotalasna rerna
UPUTSTVO ZA UPOTREBU
MWH M19

Pročitajte pažljivo ovo uputstvo za mikrotalasnu rernu pre prvog korišćenja i čuvajte ga za buduću upotrebu.

Ukoliko pratite uputstva, moći ćete dugi niz godina da koristite vašu mikrotalasnu rernu.

PAŽLJIVO ČUVAJTE OVO UPUTSTVO

PREDOSTROŽNOSTI ZA IZBEGAVANJE MOGUĆEG PREKOMERNOG IZLAGANJA MIKROTALASNOJ ENERGIJI

- a) Ne pokušavajte koristiti ovu pećnicu sa otvorenim vratima, jer to može rezultirati štetnim izlaganjem mikrotalasnoj energiji. Važno je ne lomiti ili ne rotirati bezbednosne spojeve.
- b) Ne postavljajte nikakve predmete između prednje strane rerne i vrata, ne dopuštajte nakupljanje prljavštine ili sredstava za čišćenje na površinama za dihtovanje.
- c) **UPOZORENJE:** Ukoliko su vrata ili vratni dihtunzi oštećeni, rerna ne sme da se koristi sve dok ih ne zameni stručna osoba.

DODATAK

Ukoliko se uređaj ne održava čistim, to može da utiče na njegovu površinu i radni vek, te da dovede do opasnih situacija.

SPECIFIKACIJE

Model:	MWH M19
Radni napon:	230-240 V~ 50 Hz
Nazivna ulazna snaga:	1020 W
Nazivna izlazna snaga:	700 W

VAŽNA SIGURNOSNA UPUTSTVA UPOZORENJE

Za smanjenje rizika od požara, strujnog udara, fizičkih povreda ili prekomernog izlaganja mikrotalasnoj energiji prilikom upotrebe Vašeg uređaja, molimo da se pridržavate osnovnih mera predostrožnosti, uključujući i sledeće:

1. Pročitajte i pridržavajte se "PREDOSTROŽNOSTI ZA IZBEGAVANJE MOGUĆEG PREKOMERNOG IZLAGANJA MIKROTALASNOJ ENERGIJI".

2. Ovaj uređaj mogu koristiti deca uzrasta iznad 8 godina starosti, kao i osobe sa smanjenim fizičkim, čulnim ili mentalnim sposobnostima ili nedostatkom iskustva i znanja, ako su pod nadzorom ili poseduju instrukcije za upotrebu aparata na bezbedan način uz razumevanje opasnosti rukovanja. Deca ne treba da se igraju sa aparatom. Čišćenje i održavanje ne bi trebalo da obavljaju deca koja nisu starija od 8 godina i pod nadzorom.

3. Držite aparat i njegov kabl van domašaja dece mlađe od 8 godina.

4. Ukoliko je strujni kabl oštećen, mora ga zameniti proizvođač, njegov serviser ili slično kvalifikovana osoba kako bi se izbegle povrede.

5. UPOZORENJE: Uverite se da je uređaj isključen pre menjanja sijalice kako biste izbegli mogućnost strujnog udara.

6. UPOZORENJE: Opasno je da bilo ko osim nadležne osobe izvodi bilo kakve popravke ili popravke koje uključuju uklanjanje poklopca koji štiti od izloženosti mikrotalasnoj energiji.

7. UPOZORENJE: Tečnosti i drugu hranu ne zagrevati u zatvorenim posudama jer su podložne eksplozijama.

8. Prilikom grejanja hrane u plastičnim ili papirnim posudama pazite na rernu zbog opasnosti od vatre.
9. Koristite samo posuđe prikladno za upotrebu u mikrotalasnim rernama.
10. U slučaju pojave dima, ugascite rernu ili je isključite iz struje, te držite zatvorena vrata rerne kako bi se sprečila pojava plamena.
11. Mikrotalasno zagrevanje pića može dovesti do odloženog eruptivnog vrenja, te morate biti pažljivi pri rukovanju ambalažom.
12. Sadržaj flašica za hranjenje i teglica sa hranom za bebe treba promešati ili promućkati pre upotrebe i proveriti temperaturu samog sadržaja kako bi se izbegle opekotine.
13. Jaja u ljusci i cela tvrdo kuvana jaja ne treba grejati u mikrotalasnim rernama, jer mogu eksplodirati, čak i nakon završetka mikrotalasnog grejanja.
14. Rernu treba redovno čistiti i uklanjati sve naslage hrane.
15. Ukoliko ne održavate rernu u čistom stanju, može doći do oštećenja njene površine što negativno utiče na radni vek samog aparata, a i dovodi do potencijalnih opasnosti.
16. Uređaj se ne sme postavljati iza ukrasnih vrata kako bi se izbeglo pregrevanje. (Ovo se ne odnosi na uređaje sa ukrasnim vratima).
17. Koristite samo temperaturnu sondu koja se preporučuje za ovu rernu. (za rerne sa mogućnošću upotrebe temperaturne sonde)
18. Mikrotalasna rerna ne sme se postavljati u ormar, osim ako nije testirana u samom ormaru.
19. Mikrotalasna rerna mora da radi sa otvorenim ukrasnim vratima. (za rerne sa ukrasnim vratima)

20. Ovaj aparat je namenjen upotrebi u domaćinstvu i sličnim objektima kao što su:
- kuhinja za osoblje, kancelarije i slična radna okruženja
 - u hotelima, motelima i sličnim rezidencijalnim okruženjima
 - seoskim kućama;
 - prenoćištima.
21. Mikrotalasna rečna namenjena je za zagrevanje hrane i pića. Sušenje hrane ili odeće i zagrevanje podmetača, papuča, sunđera, vlažnih krpa i slično može dovesti do opasnosti od povreda, paljenja ili požara.
22. Metalne posude za hranu i piće ne smeju se upotrebljavati pri mikrotalasnom kivanju.
23. Uređaj se ne sme čistiti parnim čistačem.
24. Uređaj se koristi kao samostalni aparat.
25. Zadnja strana uređaja treba da bude okrenuta ka zidu.

**PROČITAJTE PAŽLJIVO I ČUVAJTE
ZA BUDUĆU UPOTREBU**

Radi smanjenja rizika od telesnih povreda Instalacija i uzemljenje

OPASNOST

Opasnost od električnog udara

Dodirivanje nekih unutrašnjih komponenti može da izazove teške telesne povrede ili smrt.

UPOZORENJE

Opasnost od strujnog udara

Nepravilna upotreba uzemljenja može da dovede do strujnog udara. Ne priključujte aparat u strujnu utičnicu dok se aparat pravilno ne postavi i uzemli. Ovaj aparat mora da ima uzemljenje. U slučaju kratkog spoja električnog kola, uzemljenje smanjuje rizik od strujnog udara jer pruža mogućnost odvođenja struje na drugo mesto.

Ovaj aparat ima kabl sa provodnikom za uzemljenje i odgovarajućim utikačem. Utikač sme da se priključi samo u utičnicu koja je pravilno postavljena i uzemljena.

Obratite se kvalifikovanom električaru ili serviseru ako ne razumete potpuno uputstva za uzemljenje ili ako niste sigurni da li je aparat pravilno uzemljen. Ako je neophodno koristiti produžni kabl, koristite isključivo onaj koji ima 3 provodnika.

1. Aparat ima kratak strujni kabl radi smanjenja rizika od zapetljavanja ili spoticanja o duži kabl.

2. Ako se koristi duži produžni kabl:

1) Podržana jačina struje naznačena na odvojivom kablu ili produžnom kablu treba da bude bar ista kao jačina struje naznačena na aparatu.

2) Produžni kabl mora da bude 3-žilni i da ima uzemljenje.

3) Ako je kabl dugačak, treba ga sprovesti tako da ne pada preko kuhinjskog elementa ili stola s prednje strane, da ne može da ga povuče dete ili da se neko o njega slučajno saplete.

ČIŠĆENJE

Obavezno isključite aparat iz strujne utičnice.

1. Nakon upotrebe, blago navlaženom krpom očistite unutrašnjost rerne.
2. Očistite dodatke na uobičajan način sapunjavom vodom
3. Okvir i zaptivka vrata i okolni delovi moraju pažljivo da se očiste navlaženom krpom kada se isprljaju.
4. Staklo na vratima rerne ne čistite abrazivnim sredstvima za čišćenje i ne grebite ih oštrim metalnim predmetima jer možete da izgrebete površinu, što može dovesti do lomljenja stakla.
5. Savet za čišćenje - Radi lakšeg čišćenja zidova unutrašnjosti sa kojom hrana može da dospe u kontakt: Stavite pola limuna u činiju, sipajte 300 ml vode i zagrevajte na 100% snage mikrotalasne rerne u trajanju od 10 minuta. Prebrišite rernu suvom, mekom krpom tako da bude potpuno čista.

Kuhinjski pribor

Oprez!

Opasnost od telesne povrede

Opasno je da bilo ko, osim kompetentnog lica, servisira ili popravlja ovaj aparat, jer to obuhvata skidanje poklopca koji štiti od izlaganja mikrotalasnoj energiji.

Pogledajte uputstva o „MATERIJALIMA KOJE MOŽETE DA KORISTITE U MIKROTALASNOJ RERNI ILI KOJE NE SMETE DA KORISTITE U MIKROTALASNOJ RERNI“.

Postoji određeni kuhinjski pribor koji nije izrađen od metala, a koji ipak nije bezbedan za upotrebu u mikrotalasnoj pećnici. Ako niste sigurni, možete da testirate sporni kuhinjski pribor na način opisan ispod.

Testiranje kuhinjskog pribora:

1. U posudu pogodnu za upotrebu u mikrotalasnoj pećnici sipajte 1 šolju hladne vode (250 ml) i stavite u nju sporni kuhinjski pribor
2. Uključite aparat na maksimalnu snagu na 1 minut.
3. Pažljivo opipajte komad pribora koji testirate. Ako je pribor mlak, ne koristite ga u mikrotalasnoj rerni.
4. Ne zagrevajte ga duže od 1 minuta.

Materijali koje možete koristiti u mikrotalasnoj rerni

Kuhinjski pribor	Napomene
Posuda za pečenje	Poštujte uputstva proizvođača. Dno posude za zapećanje mora da bude bar 5 mm iznad obrtnog tanjira. Nepravilna upotreba može da dovede do loma obrtnog tanjira
Servis za ručavanje	Samo oni pogodni za mikrotalasnu pećnicu. Poštujte uputstva proizvođača. Ne koristite naprsle ili okrnjene sudove.
Staklene tegle	Uvek skinite poklopac. Koristite ih isključivo za podgrevanje hrane. Većina staklenih tegli nije vatrostalna i može da prsne.
Stakleno posuđe	Koristite isključivo vatrostalno stakleno posuđe. Vodite računa da nema metalnog oboda. Ne koristit naprsle ili okrnjene sudove.
Kese za pripremu u rerni	Poštujte uputstva proizvođača. Ne zatvarajte ih metalnim zatvaračem. Zasecite ih da bi para mogla da izlazi.
Papirni tanjiri i čaše	Koristite ih isključivo za brzu pripremu/zagrevanje. Ne ostavljajte pećnicu bez nadzora dok radi
Papirni ubrusi	Njima pokrivate hranu koju podgrevate i ako želite da upija masnoću. Koristite ih uz nadzor i samo za brzo zagrevanje.
Papir za pečenje	Njime pokrivate hranu da ne bi prskala ili u njega umotajte namirnice ako ne želite da se isuše Samo oni pogodni za mikrotalasnu pećnicu. Poštujte uputstva proizvođača. Treba da nosi oznaku „Pogodno za mikrotalasnu“.
Plastika	Neke plastične posude omekšaju kada hrana u njima postane vruća.
Prijanjajuća folija	„Kese za kuvanje hrane“ i dobro zatvorene plastične kese treba da se zaseku, probuše ili otvore, kao što je naznačeno na ambalaži.
Termometri	Samo oni pogodni za mikrotalasne pećnice (namenjeni za meso i kolače).
Voštani papir	Koristite ga za pokrivanje da biste sprečili prskanje i isušivanje.

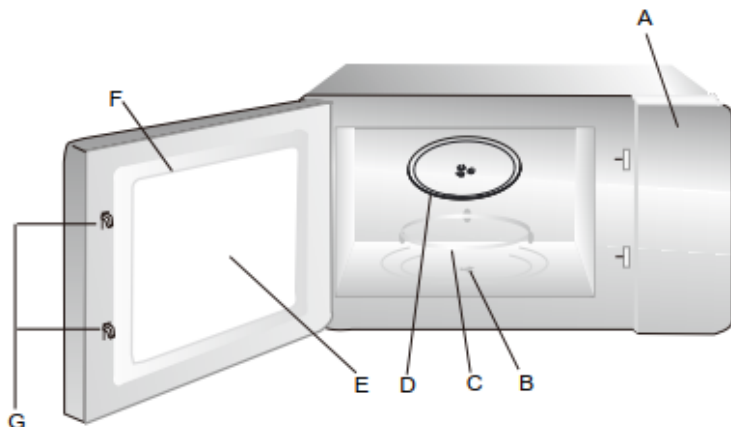
Materijali koje treba izbegavati u mikrotalasnoj rerni

Kuhinjski pribor	Napomene
Aluminijumska tacna	Može da dovede do nastanka električnog luka. Prenesite hranu u posudu pogodnu za mikrotalasnu rernu.
Kartonska ambalaža s metalnom drškom	Može da dovede do nastanka električnog luka. Prenesite hranu u posudu pogodnu za mikrotalasnu rernu.
Metal ili kuhinjski pribor s metalnom oplatom	Metal štiti hranu od mikrotalasne energije. Metalna oplata može da dovede do nastanka električnog luka.
Metalni uvijači	Mogu da dovedu do nastanka električnog luka i plamena u rerni.
Plastične kese	Mogu da izazovu plamen u rerni.
Plastična pena	Plastična pena može da se istopi ili kontaminira tečnost kada dospe u kontakt sa njom.
Drvo	Drvo se isušuje pri zagrevanju u mikrotalasnoj pećnici i može da pukne ili naprsne.

Delovi i dodaci

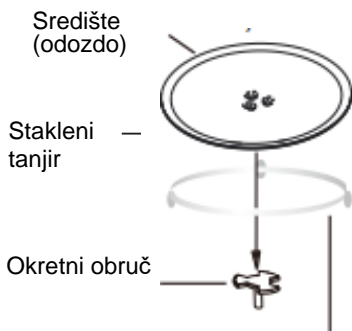
Izvadite renu i sav materijal iz kutije i unutrašnjosti rene. Rerna se isporučuje sa sledećim dodacima:

Stakleni tanjir	1
Okretni obruč	1
Uputstvo za upotrebu	1



- A) Kontrolna ploča
- B) Osovina za okretanje
- C) Okretni obruč
- D) Stakleni tanjir
- E) Prozor za posmatranje
- F) Vrata
- G) Sistem za sigurnosno zatvaranje

Postavljanje okretnog obruča



Osovina za okretanje

- a. Nikad ne postavljajte stakleni tanjir naopako. Stakleni tanjir ne sme da bude blokiran.
- b. Tokom kuvanja uvek se moraju koristiti i stakleni tanjir i okretni obruč.
- c. Sva hrana i posude moraju tokom kuvanja biti postavljeni na stakleni tanjir.
- d. Ukoliko stakleni tanjir i okretni obruč naprsnu ili se slome, kontaktirajte najbliži ovlašćeni servisni centar.

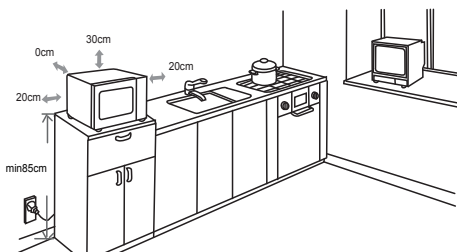
INSTALACIJA NA RADNU POVRŠINU

Uklonite sav ambalažni materijal i dodatke. Proverite ima li oštećenja na rerni, poput ogrebotina ili oštećenih vrata. Ne instalirajte rernu ukoliko je oštećena.

Kućište: Uklonite zaštitnu foliju sa površine kućišta mikrotalasne rerne. Ne uklanjajte svetlo smeđu Mica navlaku koja je pričvršćena za unutrašnjost rerne, a služi za zaštitu magnetrona.

INSTALACIJA

1. Izaberite ravnu površinu koja pruža dovoljno otvorenog prostora za ulazne i / ili izlazne otvore.



(1) Minimalna visina ugradnje je 85cm.
(2) Zadnja površina uređaja mora biti postavljena uz zid. Ostavite minimalni razmak od 30cm iznad rerne, a potreban je minimalni razmak od 20 cm između rerne i okolnih zidova.

(3) Ne uklanjajte nožice sa dna rerne.
(4) Blokiranje ulaza i/ili izlaza za (1) vazduh može da ošteti rernu.

(1) Postavite rernu što je dalje moguće od radija i tv prijemnika. Rad mikrotalasne rerne može da izazove smetnje u vašem radijskom ili televizijskom prijemu.

2. Uključite rernu u standardnu kućnu strujnu utičnicu. Napon i frekvencija treba da odgovaraju radnom naponu rerne, navedenom na pločici s tehničkim podacima.

UPOZORENJE: Ne postavljajte rernu iznad šporeta ili drugih toplinskih uređaja. Ukoliko se instalira u blizini ili iznad izvora toplote, rerna bi se mogla oštetiti, i na taj način bi se mogla poništiti garancija za ovaj uređaj.

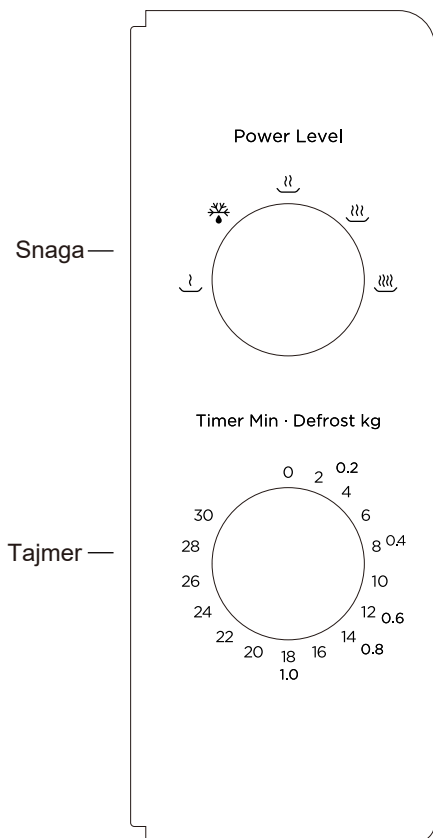
Dostupna površina može biti vruća tokom rada.



RUKOVANJE

Kontrolna tabla i karakteristike

Uputstvo za upotrebu



1. Okrenite dugme Power na željeni nivo kako biste podesili snagu kuvanja.
2. Okrenite dugme Timer na željeni nivo kako biste podesili vreme kuvanja hrane u skladu sa uputstvom za pripremu hrane.
3. Nakon podešavanja snage i vremena, mikrotalasna rena automatski započinje kuvanje.
4. Kada vreme kuvanja istekne, čuje se zvučni signal i uređaj prestaje sa radom.
5. Kada ne koristite uređaj, dugme Timer mora uvek biti postavljeno na "0".

Funkcija/Snaga	Izlazna	Primena
	17% micro.	Omekšavanje sladoleda
	33% micro.	Supe, čorbe, omekšavanje putera ili odmrzavanje
	55% micro.	Čorbe, riba
	77% micro.	Pirinač, riba, piletina, mleveno meso
	100% micro.	Zagrevanje, mleko, prokuvavanje vode, povrća, bezalkoholni napici

Napomena: Kada izvadite hranu iz rerne, obavezno stavite dugme Timer u položaj "0" (nula), kako biste isključili mikrotalasnu rernu.

Ukoliko ne isključite mikrotalasnu rernu, već je ostavite je da radi bez hrane u njoj, može doći do pregrevanja i oštećenja magnetrona.

Rešavanje problema

Normalno	
Mikrotalasna pećnica ometa prijem TV signala	Može da dođe do ometanja prijema radio i TV signala dok radi mikrotalasna pećnica. Slično ometanje se javlja i kod drugih malih električnih aparata, poput miksera, usisivača i ventilatora. To je normalna pojava.
Slabo svetlo u rerni	Pri mikrotalasnoj obradi hrane uz nisku snagu, svetlo u rerni može slabo da sija. To je normalna pojava.
Para se skuplja na vratima, vreli vazduh izlazi kroz ventilacione otvore.	Prilikom obrade hrane iz nje može da izlazi para. Većina pare izlazi kroz ventilacione otvore, ali određena količina može da se skuplja na hladnom mestu, poput vrata rerne. <i>To je normalna pojava.</i>
Rerna je slučajno pokrenuta dok u njoj nije bilo hrane.	Zabranjeno je uključivati rernu kada u njoj nema hrane. To je veoma opasno.

<i>Problem</i>	<u>Mogući uzrok</u>	Rešenje
Rerna ne može da se pokrene.	(1) Strujni kabl nije dobro priključen..	Isključite ga iz utičnice. Zatim ga ponovo priključite posle 10 sekundi.
	(2) Osigurač je pregoreo ili iskočio.	Zamenite, odnosno uključite osigurač (može da ga popravi stručno lice koje je ovlastila naša kompanija)
	(3)) Problem sa utičnicom.	Isprobajte utičnicu na nekom drugom električnom aparatu.
Rerna ne greje.	(4) Vrata nisu dobro zatvorena.	Pravilno zatvorite vrata.



Prema Direktivi za otpadnu električnu i elektronsku opremu (WEEE), otpadna električna i elektronska oprema treba zasebno da se prikuplja i prerađuje. Ako u nekom trenutku u budućnosti bude potrebno da odložite ovaj proizvod, **NEMOJTE** ga bacati zajedno sa kućnim otpadom. Pošaljite ovaj proizvod centru za prikupljanje otpadne električne i elektronske opreme, ukoliko isti postoji.



VOX
ELECTRONICS

ESP

Microondas
MANUAL DE USO
MWH M19

Por favor, lea estas instrucciones cuidadosamente antes de usar su horno de microondas, y guárdelas para futuras cuestiones.

Si sigue las instrucciones, su horno le brindará muchos años de buen servicio.

**GUARDE ESTAS INSTRUCCIONES
CUIDADOSAMENTE.**

PRECAUCIONES PARA EVITAR LA POSIBLE EXPOSICION A LA ENERGIA DE MICROONDAS EXCESIVA

(a) No intente operar este horno con la puerta abierta, ya que esto puede provocar una exposición nociva a la energía de microondas. No es importante romper o alterar los enclavamientos de seguridad.

(b) No coloque ningún objeto entre la cara frontal del horno y la puerta, ni permita que se acumule suciedad o residuos de limpiadores en las superficies de sellado.

(c) ADVERTENCIA: Si la puerta o los sellos de la puerta están dañados, el horno no debe funcionar hasta que haya sido reparado por una persona competente.

ADENDA

Si el aparato no se mantiene en buen estado de limpieza, su superficie podría degradarse y afectar la vida útil del aparato y provocar una situación peligrosa.

ESPECIFICACIONES

Modelo:	MWH M19
Voltaie clasificado	230-240 V~ 50 Hz
Potencia nominal de entrada:	1020 W
Potencia nominal de salida	700 W

INSTRUCCIONES DE SEGURIDAD

IMPORTANTES ADVERTENCIA

Para reducir el riesgo de incendio, descarga eléctrica, lesiones a personas o exposición a energía excesiva del horno microondas al usar su electrodoméstico, siga las precauciones básicas, que incluyen las siguientes:

1. Lea y siga las instrucciones específicas: "PRECAUCIONES PARA EVITAR POSIBLE EXPOSICIÓN A UNA ENERGÍA DE MICROONDAS EXCESIVA".
2. Este aparato puede ser utilizado por niños a partir de 8 años y personas con capacidades físicas, sensoriales o mentales reducidas o falta de experiencia y conocimiento si se les ha dado supervisión o instrucciones sobre el uso del aparato de una manera segura y comprensiva. Los niños no deben jugar con el aparato. La limpieza y el mantenimiento del usuario no deben ser realizados por niños a menos que sean mayores de 8 años y estén supervisados. Los niños menores de 8 años se mantendrán alejados a menos que sean supervisados continuamente.
3. Mantenga el aparato y su cable fuera del alcance de los niños menores de 8 años.
4. Si el cable de alimentación está dañado, debe ser reemplazado por el fabricante, su agente de servicio o personas calificadas de manera similar para evitar riesgos.

5. ADVERTENCIA: Asegúrese de que el aparato esté apagado antes de reemplazar la lámpara para evitar la posibilidad de descarga eléctrica.
6. ADVERTENCIA: Es peligroso para cualquier persona que no sea una persona competente llevar a cabo cualquier operación de servicio o reparación que implique la extracción de una cubierta que brinde protección contra la exposición a la energía de microondas.
7. ADVERTENCIA: Los líquidos y otros alimentos no deben calentarse en recipientes sellados, ya que pueden explotar.
8. Al calentar alimentos en recipientes de plástico o papel, vigile el horno debido a la posibilidad de ignición.
9. Utilice únicamente utensilios que sean adecuados para su uso en hornos microondas.
10. Si se emite humo, apague o desenchufe el aparato y mantenga la puerta cerrada para sofocar las llamas.
11. El calentamiento de las bebidas por microondas puede provocar una ebullición eruptiva tardía, por lo tanto, se debe tener cuidado al manipular el recipiente.
12. El contenido de los biberones y los frascos de comida para bebés se agitará o sacudirá y se comprobará la temperatura antes del consumo, para evitar quemaduras.
13. Los huevos con cáscara y los huevos duros enteros no deben calentarse en hornos de microondas, ya que pueden explotar, incluso después de que el calentamiento por microondas haya terminado.

14. El horno debe limpiarse regularmente y eliminarse cualquier depósito de comida.

15. Si no se mantiene el horno limpio, se podría deteriorar la superficie, lo que podría afectar negativamente la vida útil del aparato y posiblemente provocar una situación peligrosa.

16. El aparato no debe instalarse detrás de una puerta decorativa para evitar el sobrecalentamiento. (Esto no es aplicable para electrodomésticos con puerta decorativa).

17. Use solo la sonda de temperatura recomendada para este horno (para hornos provistos de una instalación para usar una sonda de detección de temperatura).

18. El horno microondas no debe colocarse en un gabinete a menos que haya sido probado en un gabinete.

19. El horno microondas debe funcionar con la puerta decorativa abierta. (Para hornos con puerta decorativa).

20. Este electrodoméstico está diseñado para usarse en aplicaciones domésticas y similares, como:

-Áreas de cocina personal en tiendas, oficinas y otros entornos de trabajo;

-Por clientes en hoteles, moteles y otros entornos de tipo residencial;

-Casas agrícolas;

-Ambientes tipo cama y desayuno.

21. El horno microondas está destinado a calentar alimentos y bebidas. El secado de alimentos o ropa y el calentamiento de almohadillas térmicas, pantuflas, esponjas, paños húmedos y similares pueden provocar riesgo de lesiones, ignición o incendio.

22. No se permiten recipientes metálicos para alimentos y bebidas durante la cocción en microondas.

23. El aparato no debe limpiarse con un limpiador a vapor.

24. El aparato está diseñado para ser utilizado de forma independiente.

25. La superficie posterior de los electrodomésticos se colocará contra una pared.

**LEA CUIDADOSAMENTE Y MANTENGA PARA
UNA FUTURA REFERENCIA**

Para reducir el riesgo de lesiones a las personas que hacen la instalación de puesta a tierra

PELIGRO

Peligro de descarga eléctrica

Tocar algunos de los componentes internos puede causar lesiones personales graves o la muerte. No desarme este aparato.

ADVERTENCIA

Peligro de descarga eléctrica.

El uso incorrecto de la conexión a tierra puede provocar una descarga eléctrica. No lo conecte a una toma de corriente hasta que el electrodoméstico esté correctamente instalado y conectado a tierra. Este aparato debe estar conectado a tierra.

En caso de un cortocircuito eléctrico, la conexión a tierra reduce el riesgo de descarga eléctrica al proporcionar un cable de escape para la corriente eléctrica.

Este aparato está equipado con un cable que tiene un cable de conexión a tierra con un enchufe de conexión a tierra. El enchufe debe estar enchufado a un toma corriente que esté instalado y conectado a tierra.

Consulte a un electricista o técnico calificado si las instrucciones de conexión a tierra no se entienden completamente o si existen dudas sobre si el electrodoméstico está correctamente conectado a tierra. Si es necesario usar un cable de extensión, use solo un cable de extensión de 3 hilos.

1. Se proporciona un cable de alimentación corto para reducir los riesgos derivados de enredarse o tropezarse con un cable más largo.

2. Si se utiliza un juego de cables largos o un cable de extensión:

1) La clasificación eléctrica marcada del juego de cables o del cable de extensión debe ser al menos tan grande como la clasificación eléctrica del aparato.

2) El cable de extensión debe ser un cable de 3 hilos con conexión a tierra.

3) El cable largo debe estar dispuesto de manera que no se caiga sobre el mostrador o la mesa donde se puede tirar por niños o tropezado involuntariamente.

LIMPIEZA

Asegúrese de desconectar el aparato de la fuente de alimentación.

1. Limpie la cavidad del horno después de usar con un paño ligeramente húmedo.
2. Limpie los accesorios de la forma habitual en agua jabonosa.
3. El marco y el sello de la puerta y las partes vecinas deben limpiarse cuidadosamente con un paño húmedo cuando estén sucios.
4. No use limpiadores abrasivos fuertes o raspadores metálicos afilados para limpiar el vidrio de la puerta del horno, ya que pueden rayar la superficie, lo que puede romper el vidrio.
5. Consejo de limpieza — Para facilitar la limpieza de las paredes de la cavidad que pueden tocar los alimentos cocinados: coloque la mitad de un limón en un tazón, agregue 300 ml (1/2 pinta) de agua y caliente al 100% de potencia de microondas durante 10 minutos. Limpie el horno con un paño suave y seco.

UTENSILIOS PRECAUCIÓN Peligro de lesiones personales

Es peligroso para cualquier persona que no sea una persona competente llevar a cabo cualquier operación de servicio o reparación que implique la extracción de una cubierta que brinde protección contra la exposición a la energía de microondas.

Consulte las instrucciones en "Materiales que puede usar en el horno microondas o que debe evitar en el horno microondas". Puede haber ciertos utensilios no metálicos que no son seguros para usar en el microondas. En caso de duda, puede probar el utensilio en cuestión siguiendo el procedimiento a continuación.

Prueba de utensilio:

1. Llene un recipiente apto para microondas con 1 taza de agua fría (250 ml) junto con el utensilio en cuestión.
2. Cocine a potencia máxima durante 1 minuto.
3. Sienta con cuidado el utensilio. Si el utensilio vacío está caliente, no lo use para cocinar en el microondas.
4. No exceda el tiempo de cocción de 1 minuto.

Materiales que pueden ser utilizados en horno de microondas

Utensilios	Comentarios
Plato para dorar	Siga las instrucciones del fabricante. El fondo del recipiente debe ser de un mínimo de 5 mm por encima de las placas que están girando. El uso incorrecto puede causar grietas en las placas.
Vajilla	Solo apto para microondas. Siga las instrucciones del fabricante. No use platos rotos o astillados.
Jarras de vidrio	Siempre quite la tapa. Úselas solo para calentar los alimentos hasta que esté tibio. La mayoría de los frascos de vidrio no son resistentes al calor y podrían romperse.
Cristalería	Cristalería de horno resistente al calor solamente. Asegúrese de que no haya adornos metálicos. No use platos rotos o astillados.
Bolsas para cocinar	Siga las instrucciones del fabricante. No cierre las bolsas con cordones metálicos. No haga agujeros para salida del vapor.
Platos y tazas de papel.	Úselo solo para cocinar / calentar a corto plazo. No deje el horno desatendido mientras cocina.
Toallas de papel	Úselo para cubrir los alimentos para recalentar y absorber grasas. Use con supervisión solo para cocinar a corto plazo.
Pergamino Papel	Úselo como una cubierta para evitar salpicaduras o una envoltura para cocinar al vapor
Plástica	Utilice solamente la plástica apta para hornos microondas. Siga las instrucciones del fabricante. Sobre el producto debería ser marcado: "Microwave Safe". Algunos recipientes de plástico se ablandan, ya que la comida del interior se calienta. Las "bolsas de ebullición" y las bolsas de plástico bien cerradas se deben cortar, perforar o ventilar según las instrucciones del paquete
Envoltura de plástico	Solo apto para per microondas. Úselo para cubrir los alimentos durante la cocción para retener la humedad. No permita que la envoltura de plástico toque los alimentos.
Termómetros	Solo apto para microondas (termómetros de carne y dulces).
Papel encerado	Úselo como una cubierta para evitar salpicaduras y retener la humedad.

Materiales a evitar en horno microondas

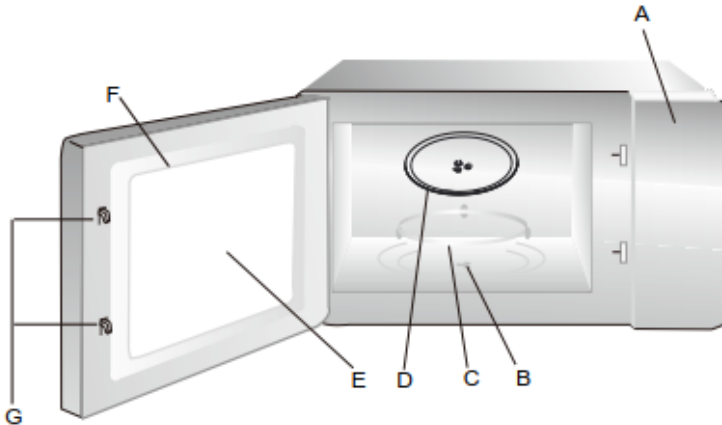
Utensilios	Comentarios
Babdeja de aluminio	Puede causar arcos. Transfiera los alimentos al mango de metal para platos apto para microondas
Cartón de alimentos al mango de metal	Puede causar arcos. Transfiera los alimentos al mango de metal para platos apto para microondas
Metal o utensilios de metal	El metal protege los alimentos de la energía de microondas. Los adornos metálicos pueden causar que los utensilios recortados se arqueen.
Lazos metálicos	Lazos metálicos pueden causar arcos y provocar un incendio en el horno.
Bolsas de papel	Puede provocar un incendio en el horno.
Espuma plástica	La espuma plástica puede derretir o contaminar el líquido en el interior cuando se expone a altas temperaturas.
Madera	La madera se secará cuando se use en el horno microondas y puede partirse o agrietarse.

Nombres del horno, partes y accesorios

Retire el horno y todo el material del cartón y la cavidad del horno.

Su horno viene con los siguientes accesorios:

Bandeja de cristal	1
Conjunto de anillo giratorio	1
Manual de instrucciones	1



- A) Panel de control
- B) Eje giratorio
- C) Conjunto de anillo giratorio
- D) Bandeja de vidrio
- E) Ventana de observación
- F) Montaje de puerta
- G) Sistema de bloqueo de seguridad

Instalación de plataforma giratoria

Eje (parte inferior)

Bandeja de vidrio

Base



Conjunto de anillo giratorio

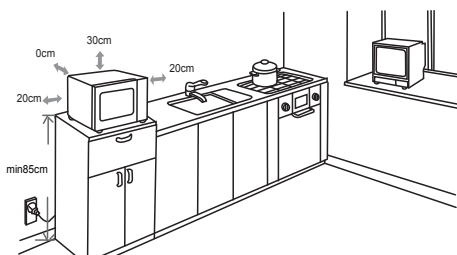
- a. Nunca coloque la bandeja de vidrio al revés. La bandeja de vidrio nunca se debe restringir.
- b. Tanto la bandeja de vidrio como el conjunto de anillo giratorio deben usarse siempre durante la cocción.
- c. Todos los alimentos y contenedores de alimentos siempre se colocan en la bandeja de vidrio para cocinar.
- d. Si el conjunto de la bandeja de vidrio o el anillo giratorio se raja o rompe, comuníquese con el centro de servicio autorizado más cercano.

Instalación de encimera

Retire todo el material de embalaje y accesorios. Examine el horno en busca de daños tales como abolladuras o puertas rotas. No lo instale si el horno está dañado. Gabinete: Retire cualquier película protectora que se encuentre en la superficie del gabinete del horno microondas. No quite la cubierta de Mica marrón que está unida a la cavidad del horno para proteger el magnetrón.

Instalación

1. Seleccione una superficie nivelada que proporcione suficiente espacio abierto para las ventilaciones de entrada y / o salida.



- (1) La altura mínima de instalación es de 85 cm.
- (2) La superficie posterior del electrodoméstico se colocará contra una pared.
Deje un espacio mínimo de 30 cm por encima del horno, se requiere un espacio mínimo de 20 cm entre el horno y las paredes adyacentes.
- (3) No quite las patas del fondo del horno.
- (4) Bloquear las aberturas de entrada y / o salida puede dañar el horno.
- (5) Coloque el horno lo más lejos de radios y TV como sea posible. El funcionamiento del horno microondas puede causar interferencia a su recepción de radio o de televisión.

2. Conecte su horno a una enchufe. Asegúrese de que el voltaje y la frecuencia son mismos como el voltaje y la frecuencia en la etiqueta con las características.

ADVERTENCIA: no instale el horno sobre una estufa u otro producto de calor. Si se instala cerca o sobre una fuente de calor, el horno podría dañarse y la garantía no sería válida.

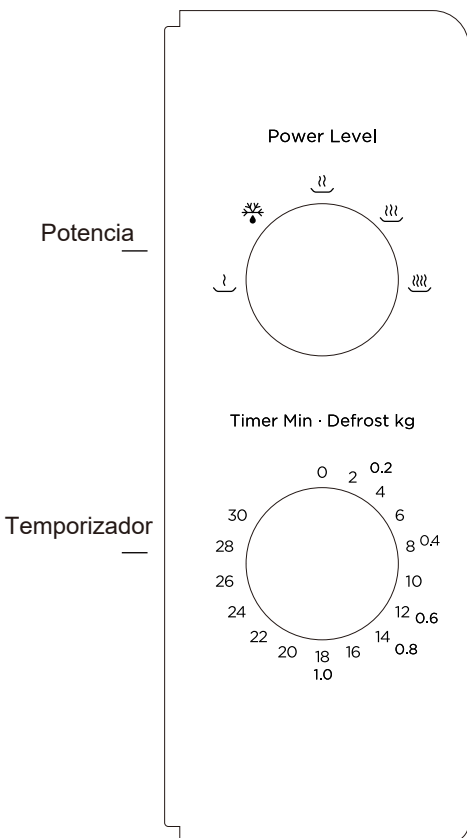
La superficie accesible puede estar caliente durante la operación.



OPERACIÓN

Panel de control y características

Instrucciones de operación



1. Para configurar la potencia de cocción girando la perilla de potencia al nivel deseado.
2. Para configurar el tiempo de cocción, gire la perilla del temporizador al tiempo deseado según su guía de cocción de alimentos.
3. El horno de microondas comenzará a cocinar automáticamente después de configurar el nivel de potencia y el tiempo.
4. Cuando termine el tiempo de cocción, la unidad hará "Dong" para detenerse.
5. Si la unidad no está en uso, siempre configure el tiempo en "0".

Función/Potencia	Producción	Aplicación
☽	17% micro.	Ablandar el helado
☀	33% micro.	Guiso de sopa, ablandar mantequilla o descongelar
☁	55% micro.	Estofado, pescado
☁☁	77% micro.	Arroz, pescado, pollo, carne picada
☁☁☁	100% micro.	Recalentar, leche, hervir agua, verduras, bebidas

Aviso: Al retirar los alimentos del horno, asegúrese de que la alimentación del horno esté apagada girando el interruptor del temporizador a 0 (cero). Si no lo hace, y si utiliza el horno de microondas sin alimentos dentro, puede provocar un sobrecalentamiento y daños en el magnetrón.

Solución de problemas

Normal	
Horno microondas interfiere con la recepción de TV	La recepción de radio y TV puede interferirse cuando el horno microondas funciona. Es similar a la interferencia de pequeños electrodomésticos, como mezcladores, aspiradoras y ventiladores eléctricos. Es normal.
Luz tenue del horno	En la cocina de microondas de baja potencia, la luz del horno puede atenuarse. Es normal.
El vapor se acumula en la puerta, el aire caliente sale de los respiraderos	Al cocinar, puede salir vapor de los alimentos. La mayoría saldrá de los respiraderos. Pero algunos pueden acumularse en lugares frescos como la puerta del horno. Es normal.
El horno comenzó accidentalmente sin comida.	Está prohibido hacer funcionar la unidad sin ningún alimento dentro. Es muy peligroso.

Problema	Posible causa	Remedio
El horno no se puede encender.	(1) El cable de alimentación no está enchufado firmemente.	Desenchufar. Luego, vuelva a enchufar después de 10 segundos.
	(2) Funcionan el fusible o disyuntor	Reemplace el fusible o reinicie el disyuntor (reparado por personal profesional de nuestra compañía)
	(3) Problemas con la salida.	Pruebe el tomacorriente con otros aparatos eléctricos.
El horno no calienta.	La puerta no está bien cerrada.	Cierra bien la puerta.



De acuerdo con la directiva Residuos de equipos eléctricos y electrónicos (RAEE), los RAEE deben recogerse y tratarse por separado. Si en algún momento en el futuro necesita deshacerse de este producto, NO lo deseche con la basura doméstica. Envíe este producto a los puntos de recogida de RAEE cuando estén disponibles.



VOX
ELECTRONICS

PRT

Forno de Micro-ondas
MANUAL DE INSTRUÇÕES
MWH M19

Antes de utilizar o microondas, deve ler atentamente as instruções presentes neste manual e guardá-lo num local seguro.

Ao seguir estas instruções estará a garantir a duração deste aparelho por vários anos e sempre com um bom serviço.

**GUARDE CUIDADOSAMENTE
ESTE MANUAL DE INSTRUÇÕES**

PRECAUÇÕES PARA EVITAR POSSÍVEIS EXPOSIÇÕES A POTÊNCIA EXCESSIVA DO MICROONDAS

(a) Não utilize o microondas com a porta aberta, pois pode resultar em exposição nociva a potência de microondas. É igualmente importante não quebrar ou alterar os dispositivos de bloqueio de segurança.

(b) Não coloque qualquer objeto entre a face frontal do microondas e a porta, nem permita que pó ou resíduos líquidos de limpeza se acumulem nas superfícies das grelhas.

(c) ADVERTÊNCIA: se a porta ou alguns componentes da porta se encontram danificados, então não utilize o microondas até ser reparado por um técnico competente.

ADENDA

Se o aparelho não for mantido em bom estado de limpeza, a sua superfície pode se degradar e afetar a vida útil do aparelho, criando mesmo uma condição potencial perigosa.

ESPECIFICAÇÕES

Modelo:	MWH M19
Tensão nominal	230-240 V~ 50 Hz
Potência de entrada nominal:	1020 W
Potência de saída nominal:	700 W

CONSELHOS DE SEGURANÇA IMPORTANTES

Para reduzir o risco de incêndio, choque elétrico, ferimentos ou exposição a potência excessiva do forno de microondas ao usar o aparelho, siga as seguintes precauções:

1. Leia e respeite o anterior capítulo:
"PRECAUÇÕES PARA EVITAR POSSÍVEIS EXPOSIÇÕES À POTÊNCIA EXCESSIVA DO MICROONDAS".
2. Este aparelho pode ser usado por crianças com idade superior a oito anos e por pessoas com capacidades físicas, sensoriais ou mentais reduzidas ou falta de experiência e conhecimento, se receberem supervisão ou instrução sobre o uso seguro do aparelho e entenderem os perigos envolvidos. As crianças não devem brincar com o aparelho. A limpeza e manutenção regulares não devem ser feitas por crianças, a menos que maiores de oito anos e supervisionadas. Crianças com menos de oito anos de idade devem ser mantidas afastadas do aparelho, a menos que sejam supervisionadas continuamente por um adulto.
3. Mantenha o aparelho e o cabo fora do alcance de crianças com menos de oito anos.
4. Se o cabo de alimentação estiver danificado, deve ser substituído pelo fabricante, agente de serviço ou pessoas devidamente qualificada a fim de evitar riscos.
5. AVISO: Certifique-se de que o aparelho está desligado antes de substituir a lâmpada, para evitar risco de choque elétrico.
6. AVISO: Existem riscos para pessoas não competentes ao executar qualquer operação de serviço ou reparo que envolva a remoção de qualquer tampa de protecção contra a exposição à potência do microondas.

7. AVISO: Líquidos e outros alimentos não devem ser aquecidos em recipientes selados, pois podem rebentar.
8. Ao aquecer alimentos em recipientes de plástico ou papel, vigie o forno devido à possibilidade de ignição de chamas.
9. Use apenas utensílios adequados para microondas.
10. Se o aparelho emitir fumo, desligue ou desconecte-o da tomada e mantenha a porta do aparelho fechada para abafar as chamas.
11. O aquecimento de bebidas no microondas pode resultar em ebulição eruptiva atrasada pelo que é necessário um cuidado extra ao manusear o recipiente.
12. O conteúdo dos biberões e dos boiões de comida para bebé deve ser agitado ou mexido e a temperatura verificada, antes do consumo dos bebés a fim de evitar queimaduras.
13. Os ovos crus ou cozidos inteiros não devem ser aquecidos em fornos de microondas, pois podem rebentar mesmo após a conclusão do aquecimento no microondas.
14. O forno deve ser limpo regularmente e os depósitos de alimentos removidos.
15. A não manutenção do forno em condições limpas pode levar à deterioração da superfície e afectar adversamente a vida útil do aparelho, podendo também criar uma condição perigosa.
16. O aparelho não deve ser instalado atrás de portas ou em espaços encerrados, para evitar sobreaquecimento. (não aplicável a aparelhos com porta decorativa.)
17. Use apenas a sonda de temperatura recomendada para este forno. (para fornos providos de instalações para usar uma sonda com sensor de temperatura.)
18. O microondas não deve ser colocado em nenhum armário, a menos que esteja certificado para o efeito.

19. O microondas deve ser operado com a porta decorativa aberta. (para fornos com porta decorativa.)

20. Este aparelho deve ser usado apenas em ambientes domésticos como por exemplos:

- zonas de cozinha em lojas, escritórios e outros locais de trabalho;

- clientes em hotéis, motéis, alojamento local e outros ambientes similares.

- quintas e fazendas;

21. O forno microondas é destinado ao aquecimento de alimentos e bebidas. A secagem de alimentos, roupas, chinelos, esponjas, panos húmidos ou produtos semelhantes podem levar a um risco de ferimentos, ignição ou incêndio.

22. Recipientes metálicos para alimentos e bebidas não são permitidos no microondas durante o cozimento.

23. O aparelho não deve ser limpo por aparelhos de limpeza a vapor.

24. O aparelho destina-se a ser utilizado de forma independente.

25. A superfície traseira do aparelho deve estar próxima da parede.

**LEIA ATENTAMENTE E MANTENHA PARA
FUTURAS NECESSIDADES**

Reduzir o Risco de Ferimentos Pessoais

Instalação ligação-terra

PERIGO

Risco de choque elétrico.

Tocar em alguns componentes internos pode causar ferimentos graves ou morte. Não desmonte este aparelho.

AVISO

Risco de choque elétrico: O uso inadequado do fio terra pode resultar em choque elétrico. Não conecte a nenhuma tomada até que o aparelho esteja correctamente instalado e com ligação terra.

Este aparelho deve ter ligação terra. No caso de um curto-circuito elétrico, o aterramento reduz o risco de choque elétrico, fornecendo um fio de escape para a corrente eléctrica.

Este aparelho está equipado com um cabo com um fio e ficha terra. A ficha deve estar ligada a uma tomada devidamente instalada e com ligação terra.

Consulte um electricista ou técnico qualificado para o caso de não entender as instruções de aterramento ou se tiver dúvidas sobre se o aparelho tem uma adequada ligação terra.

Se for necessário usar um cabo de extensão, use apenas um cabo de extensão de três tomadas.

1. O aparelho vem com um cabo de ligação curto para reduzir os riscos resultantes de se envolver ou tropeçar em cabos mais longos.

2. Se um conjunto de cabos longos ou extensão for usado:

1) A classificação eléctrica marcada do conjunto de cabos ou extensão deve ser pelo menos igual à classificação eléctrica do aparelho.

2) O cabo de extensão deve ser um cabo de 3 fios do tipo terra.

3) O cabo longo deve ser colocado de modo a que não fique pendurado sobre a bancada ou mesa onde possa ser puxado por crianças ou causar quedas e danos corporais.

LIMPEZA

Comece por desligar o aparelho da tomada.

1. Limpe a cavidade do forno com um pano levemente húmido.
2. Limpe os acessórios de forma normal em água com sabão.
3. A moldura da porta, as grelhas e peças próximas devem ser limpas cuidadosamente com um pano húmido quando estiverem sujas.
4. Não use produtos de limpeza abrasivos ou raspadores de metal afiados para limpar o vidro da porta do forno, pois podem arranhar a superfície e riscar o vidro.
5. Dica de limpeza — Para facilitar a limpeza das paredes da cavidade por vezes atingida por alimentos cozidos, coloque meio limão numa tigela, adicione 300 ml de água e aqueça na potência 100% microondas durante 10 minutos. Seque o forno com um pano suave e seco.

UTENSÍLIOS

CUIDADOS A TER

Risco de lesões pessoais

Representa uma séria possibilidade de lesões e danos pessoais para pessoas sem competências para realizar serviços técnicos que envolvam reparação e/ou remoção da cobertura que protege contra a exposição da energia emitida pelo microondas.

Consulte as instruções "Materiais que pode usar no microondas e materiais evitar no microondas". Podem haver certos utensílios não metálicos que não são seguros para uso no microondas. Em caso de dúvida, pode testar o utensílio em questão seguindo o procedimento abaixo.

Teste de Utensílios:

1. Encha um recipiente para microondas com uma chávena de água fria (250 ml) junto com o utensílio em questão.
2. Aqueça durante um minuto na temperatura máxima.
3. Encha cuidadosamente o utensílio. Se o utensílio vazio estiver quente, não o use para cozinhar no microondas.
4. Não ultrapasse o tempo de aquecimento em mais de um minuto.

Materiais que pode utilizar no microondas

Utensílios	Observações
Prato rotativo	Siga as instruções do fabricante. O fundo do prato rotativo deve estar pelo menos 5 mm acima da plataforma giratória. O uso incorrecto pode causar a quebra da plataforma giratória.
Louça	Use apenas louça compatível para microondas. Siga as instruções do fabricante. Não use pratos rachados ou lascados.
Jarros de vidro	Retire sempre a tampa. Aqueça os alimentos em períodos curtos. A maioria dos frascos de vidro não é resistente ao calor e pode quebrar.
Copos e outros artigos em vidro	Use apenas copos resistentes ao calor. Verifique se não têm acabamento metálico. Não use copos rachados ou lascados.
Sacos para cozinhar	Siga as instruções do fabricante. Não feche os sacos com laços de metal. Abra pequenos furos para permitir que o vapor escape.
Copos e pratos de papel	Utilize apenas para cozinhar/aquecer em curtos períodos. Não deixe o forno sem vigilância durante o aquecimento/cozinhar.
Toalhas de papel	Use para cobrir alimentos, para reaquecer e absorver gordura. Use com supervisão e apenas para cozinhar em prazos curtos. Use como cobertura para evitar respingos ou para envolver a comida enquanto cozinha.
Papel Pergaminho	Use apenas plástico certificado e rotulado como "Seguro para microondas" e siga as instruções do fabricante do plástico. Alguns recipientes de plástico amolecem quando a comida aquece. Os "sacos para cozer" e outros sacos plásticos fechados devem ser perfurados ou ventilados conforme indicado na embalagem.
Plástico	
Película plástica	Use apenas película certificada para microondas e para cobrir os alimentos durante o cozimento e reter a humidade. Não permita que o filme plástico toque nos alimentos.
Termómetros	Use aparelhos certificados para microondas (termómetros de carnes e doces).
Papel de cera	Use como cobertura para evitar respingos e reter a humidade.

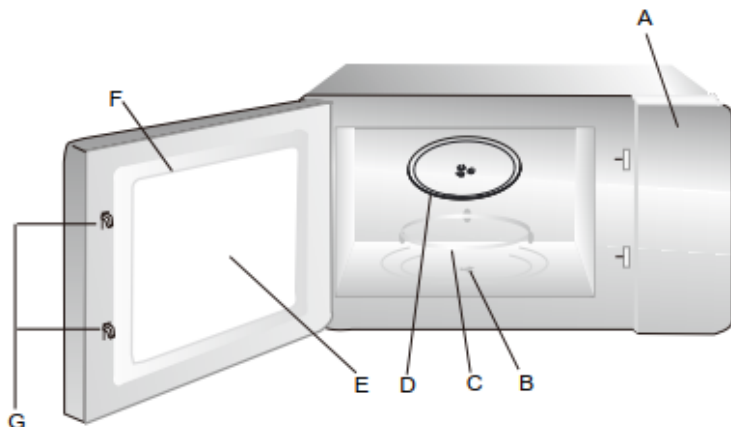
Materiais a evitar no microondas

Utensílios	Notas
Bandeja em alumínio	Pode causar faíscas. Coloque os alimentos num prato seguro para microondas.
Embalagem em cartão	Pode causar faíscas. Coloque os alimentos num prato seguro para microondas.
Embalagens metálicas	Impedem que o calor do microondas chegue aos alimentos e podem causar faíscas.
Pegas metálicas	Podem causar faíscas e incêndio.
Sacos de papel	Podem causar fogo.
Espuma sintéticas	Se sujeitas a altas temperaturas podem derreter ou contaminar alimentos e líquidos.
Madeira	A madeira irá secar dentro do microondas podendo rachar.

Nomes das partes e acessórios do forno

Retire o forno e todos os materiais da caixa e da cavidade do forno. O seu forno vem com os seguintes acessórios:

Bandeja de vidro	1
Montagem do anel	1
Manual de instruções	1



- A) Painel de controle
- B) Eixo da plataforma giratória
- C) Anel da plataforma giratória
- D) Bandeja de vidro
- E) Janela
- F) Montagem
- G) Sistema de travão de segurança

Plataforma - Instalação

Entrada
(inferior)

Bandeja
de vidro

Eixo da
plataforma



Anel da plataforma giratória

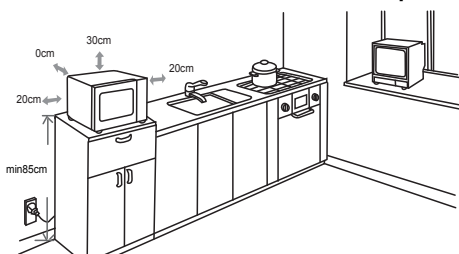
- a. Nunca coloque a bandeja de vidro virada para baixo nem de alguma forma restringida.
- b. A bandeja de vidro e o anel da plataforma giratória devem ser sempre usados durante o cozimento.
- c. Todos os alimentos e recipientes de comida devem ser sempre colocados na bandeja de vidro para cozinhar.
- d. Se o conjunto da bandeja de vidro ou do anel da plataforma giratória quebrar ou estalar, entre em contato com o centro de serviço autorizado mais próximo.

Instalação da Bancada

Remova todo o material de embalagem e acessórios. Examine o forno em relação a danos, amolgadelas ou portas quebradas. Não instale se o forno estiver danificado. Armário: Remova qualquer filme protector da superfície do microondas. Não remova a tampa Mica marrom clara que está ligada à cavidade do forno para proteger o magnetrão.

Instalação

1. Seleccione uma superfície nivelada e com folga de espaço para as entradas e saídas de ar do aparelho.



(1) A altura mínima para instalação é de 85 cm.

(2) A superfície traseira do aparelho deve ficar próxima da parede.

Deixe uma folga mínima de 30 cm acima do forno e uma de 20 cm entre o forno e qualquer parede adjacente. (3) Não retire as pernas do fundo do forno.

(4) O bloqueio das aberturas de entrada e/ou saída pode danificar o forno.

(5) Coloque o forno o mais longe possível de rádios e TVs. O microondas ligado pode causar interferência no seu rádio ou televisor.

2. Ligue o forno a uma tomada doméstica padrão. Certifique-se de que a voltagem e a tensão da tomada correspondem a da classificação no rótulo.

AVISO: Não instale sobre um fogão ou outro produtor de calor. Se instalado próximo ou sobre uma fonte de calor, o forno pode ficar danificado e a garantia não será válida.

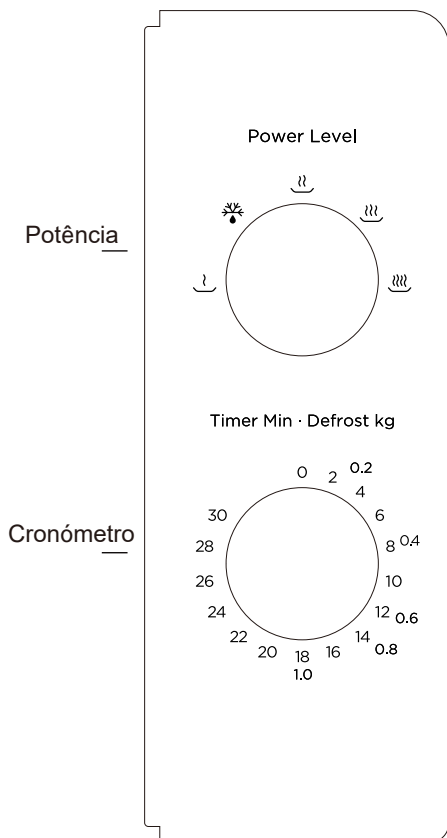
As paredes externas do microondas podem aquecer durante a operação.



UTILIZAÇÃO

Painel de Controle e Recursos

Instruções de Uso



1. Para regular a potência da cozedura rodando o botão de potência para o nível desejado.
2. Para definir o tempo de cozedura rodando o botão do cronómetro para o tempo desejado e de acordo como seu livro de receitas.
3. O micro-ondas começará a cozinhar automaticamente assim que o nível de potência e o tempo forem definidos.
4. Quando o tempo de cozedura terminar, o aparelho emite um alarme sonoro antes de parar.
5. Mantenha o cronómetro no "0" sempre que o aparelho não estiver a ser utilizado.

Função/Potência	Definição	Aplicação
	17% micro.	Derreter gelados
	33% micro.	Sopa, descongelar ou derreter manteiga
	55% micro.	Ensopados, peixes
	77% micro.	Arroz, peixes, frangos, carne picada
	100% micro.	Requeimar comida, leite, aquecer água, vegetais ou bebidas.

Aviso: Após retirar os alimentos, certifique-se que desliga a corrente eléctrica rodando o temporizador para 0 (zero). Se mantiver o micro-ondas a funcionar sem alimentos, poderá causar sobreaquecimento do aparelho e danos no magnetron.

Resolução de Problemas

Normal	
Microondas interferindo com a recepção da TV	A recepção de rádio e TV pode ter interferências quando o forno de microondas estiver a funcionar. É semelhante à interferência de pequenos electrodomésticos, como um misturador, aspirador de pó e ventilador eléctrico. É normal e não se deve preocupar.
Luz Fraca no Forno	Ao cozinhar com o microondas na baixa potência, a luz do forno pode ficar fraca. Tal é normal.
Vapor acumulado na porta, ar quente a sair das aberturas	Ao cozinhar, o vapor pode sair dos alimentos. A maioria sairá através das aberturas, mas algum vapor pode-se acumular nalgum local fresco como p.e. uma porta do forno. Não representa problema
O microondas começou acidentalmente sem comida.	É muito perigoso ligar o microondas sem alimentos dentro. Tal representa vários riscos.

Problema	Possível causa	Solução
O microondas não liga	(1) O cabo de alimentação não está bem ligado.	Desligue e volte a ligar passados 10 segundos
	(2) Fusível queimado ou disjuntor funciona.	Substitua o fusível ou reinicie o disjuntor (reparado por profissionais da nossa empresa)
	(3) Problemas com a tomada.	Teste a tomada com outros aparelhos eléctricos.
Microondas não aquece	(4) Porta mal fechada.	Feche bem a porta.



De acordo com a directiva sobre Resíduos de equipamentos eléctricos e electrónicos (WEEE), os WEEE devem ser colectados e tratados separadamente. Se no futuro precisar de descartar este produto, **NÃO** o deite junto com o lixo doméstico. Envie este produto para os pontos de colecta WEEE disponíveis. Contacte as autoridades locais ou o seu agente para pedir informações sobre reciclagem deste aparelho.

PN:P000006440727



VOX
ELECTRONICS

GRC

Φούρνος μικροκυματων
ΟΔΗΓΙΕΣ ΧΡΗΣΗΣ
MWH M19

**Διαβάστε προσεκτικά αυτές τις οδηγίες πριν
χρησιμοποιήσετε το φούρνο μικροκυμάτων σας και
φυλάξτε τις προσεκτικά.**

Εάν ακολουθήσετε τις οδηγίες, ο φούρνος σας θα σας
προσφέρει πολλά χρόνια καλής εξυπηρέτησης.

**ΑΠΟΘΗΚΕΎΣΤΕ ΠΡΟΣΕΚΤΙΚΑ ΑΥΤΕΣ
ΤΙΣ ΟΔΗΓΙΕΣ**

ΠΡΟΦΥΛΑΞΕΙΣ ΓΙΑ ΝΑ ΑΠΟΦΥΓΕΤΕ ΠΙΘΑΝΗ ΥΠΕΡΒΟΛΙΚΗ ΕΚΘΕΣΗ ΣΕ ΕΝΕΡΓΕΙΑ ΜΙΚΡΟΚΥΜΑΤΩΝ

(α) Μη δοκιμάζετε να χρησιμοποιείτε το φούρνο με ανοιχτή πόρτα διότι αυτό μπορεί να οδηγήσει σε βλαβερή έκθεση σε ενέργεια μικροκυμάτων. Είναι σημαντικό να μη σπάσετε ή γυρίσετε τις ενώσεις ασφάλειας.

(β) Μην τοποθετείτε κανένα αντικείμενο ανάμεσα στην μπροστινή πλευρά του φούρνου και την πόρτα, μην αφήσετε να συσσωρευτεί ακαθαρσία ή να μείνουν απορρυπαντικά στις επιφάνειες στεγανοποίησης.

(γ) ΠΡΟΕΙΔΟΠΟΙΗΣΗ: Εάν η πόρτα και η στεγανοποίηση της πόρτας είναι βλαμμένες, ο φούρνος δεν πρέπει να χρησιμοποιείται ώσπου να το επισκευάσει ένα εξειδικευμένο άτομο.

ΠΑΡΑΡΤΗΜΑ

Εάν η συσκευή δεν καθαρίζεται τακτικά, αυτό μπορεί να επηρεάσει την επιφάνειά της και τη διάρκεια λειτουργίας και να προκαλέσει σοβαρούς τραυματισμούς

ΠΡΟΔΙΑΓΡΑΦΕΣ

Μοντέλο:	MWH M19
Τάση λειτουργίας:	230-240 V~ 50 Hz
Ονομαστική ισχύς εισόδου:	1020 W
Ονομαστική ισχύς εξόδου:	700 W

ΣΗΜΑΝΤΙΚΕΣ ΟΔΗΓΙΕΣ ΑΣΦΑΛΕΙΑΣ ΠΡΟΕΙΔΟΠΟΙΗΣΗ

Για να μειώσετε το ρίσκο από πυρκαγιά, ηλεκτροπληξία, σωματικό τραυματισμό ή υπερβολική έκθεση σε ενέργεια μικροκυμάτων κατά τη διάρκεια της χρήσης της συσκευής, παρακαλούμε να τηρείτε τα βασικά μέτρα προφύλαξης, συμπεριλαμβανομένου και τα εξής:

1. Διαβάστε προσεκτικά τις " ΠΡΟΦΥΛΑΞΕΙΣ ΓΙΑ ΝΑ ΑΠΟΦΥΓΕΤΕ ΠΙΘΑΝΗ ΥΠΕΡΒΟΛΙΚΗ ΕΚΘΕΣΗ ΣΕ ΕΝΕΡΓΕΙΑ ΜΙΚΡΟΚΥΜΑΤΩΝ".

2. Τη συσκευή μπορούν να τη χρησιμοποιούν παιδιά 8 ετών και πάνω και άτομα με μειωμένη σωματική, αισθητηριακές ή διανοητικές ικανότητες ή έλλειψη εμπειρίας και γνώσεων μόνο εάν βρίσκονται υπό επίβλεψη ή υπεύθυνα άτομα τους έδωσαν οδηγίες που αφορούν χρήση της συσκευής με ασφάλεια και καταλαβαίνουν τους κινδύνους που υπάρχουν. Παιδιά δεν πρέπει να παίζουν με τη συσκευή. Καθαρισμός και συντήρηση δεν πρέπει να γίνεται από παιδιά κάτω των 8 ετών και χωρίς επίβλεψη.

3. Κρατήστε τη συσκευή και το καλώδιο της μακριά από τα παιδιά κάτω των 8 ετών.

4. Εάν το καλώδιο τροφοδοσίας είναι κατεστραμμένο, πρέπει να αντικατασταθεί από τον κατασκευαστή, το σέρβις του ή άλλο εξειδικευμένο άτομο για να αποφύγετε τραυματισμούς.

5. ΠΡΟΕΙΔΟΠΟΙΗΣΗ: Βεβαιωθείτε ότι η συσκευή είναι απενεργοποιημένη πριν αλλάξετε τη λυχνία, για να αποφύγετε την πιθανότητα ηλεκτροπληξίας.

6. ΠΡΟΕΙΔΟΠΟΙΗΣΗ: Είναι επικίνδυνο για οποιοδήποτε άλλο εκτός από τον υπεύθυνο να πραγματοποιήσει επισκευές ή επισκευές που περιλαμβάνουν την αφαίρεση καλύμματος που προστατεύει από την έκθεση σε ενέργεια μικροκυμάτων.
7. ΠΡΟΕΙΔΟΠΟΙΗΣΗ: Μην θερμαίνετε υγρά και άλλα τρόφιμα σε κλειστά δοχεία καθώς αυτά υπόκεινται σε έκρηξη.
8. Όταν θερμαίνετε τα τρόφιμα σε πλαστικά ή χάρτινα δοχεία, προσέχετε την επανάληψη του κινδύνου πυρκαγιάς.
9. Χρησιμοποιείτε μόνο σκεύη κατάλληλα για χρήση στο φούρνο μικροκυμάτων.
10. Σε περίπτωση καπνού, σβήστε τον φούρνο ή αποσυνδέστε τον και κρατήστε τη θύρα του φούρνου κλειστή για να αποφύγετε τις φλόγες.
11. Η θέρμανση ποτών με μικροκύματα μπορεί να οδηγήσει σε καθυστερημένη βραδυπορία, οπότε πρέπει να προσέχετε κατά το χειρισμό του δοχείου.
12. Τα περιεχόμενα των μπουκαλιών τροφοδοσίας και των βάζων παιδικής τροφής πρέπει να αναδεύονται ή να αναταράσσονται και η θερμοκρασία να ελέγχεται πριν την κατανάλωση, προκειμένου να αποφευχθούν εγκαύματα.
13. Τα αυγά στο κέλυφος τους και τα ολόκληρα σκληρά βραστά αυγά δεν θα πρέπει να θερμαίνονται σε φούρνους μικροκυμάτων, καθώς ενδέχεται να εκραγούν, ακόμη και μετά τη λήξη της θέρμανσης με μικροκύματα.
14. Ο φούρνος πρέπει να καθαρίζεται τακτικά και να απομακρύνονται τυχόν αποθέσεις τροφίμων.
15. Η μη συντήρηση του φούρνου σε καθαρή κατάσταση μπορεί να οδηγήσει σε αλλοίωση της επιφάνειας που θα μπορούσε να επηρεάσει δυσμενώς τη διάρκεια ζωής της συσκευής και ενδεχομένως να οδηγήσει σε επικίνδυνη κατάσταση.

16. Η συσκευή δεν πρέπει να εγκατασταθεί πίσω από διακοσμητική πόρτα για να αποφευχθεί η υπερθέρμανση. (Αυτό δεν ισχύει για συσκευές με διακοσμητικές πόρτες.)

17. Χρησιμοποιείτε μόνο τη δοκιμή θερμοκρασίας που συνιστάται για αυτό το φούρνο. (για τους φούρνους που διαθέτουν εγκατάσταση για τη χρήση αισθητήρα ανίχνευσης θερμοκρασίας).

18. Ο φούρνος μικροκυμάτων δεν θα εγκατασταθεί σε ένα ερμάριο εκτός αν έχει δοκιμαστεί σε ένα ερμάριο.

19. Ο φούρνος μικροκυμάτων πρέπει να λειτουργεί με ανοιχτή την διακοσμητική πόρτα. (για φούρνους με διακοσμητική πόρτα.)

20. Η συσκευή αυτή προορίζεται για οικιακή και παρόμοια χρήση, όπως:

- Κουζίνα για προσωπικό, γραφεία και παρόμοια περιβάλλοντα εργασίας

- σε ξενοδοχεία, μοτέλ και παρόμοια οικιστικά περιβάλλοντα

- εξοχικές κατοικίες.

- διαμονή.

21. Ο φούρνος μικροκυμάτων προορίζεται για τη θέρμανση τροφίμων και ποτών. Η ξήρανση τροφών ή ρουχισμού και η θέρμανση των μαξιλαριών, παντόφλες, σφουγγάρια, υγρό πανί και τα παρόμοια μπορεί να οδηγήσουν σε κίνδυνο τραυματισμού, ανάφλεξης ή πυρκαγιάς.

22. Τα μεταλλικά δοχεία και τα ποτά τροφίμων δεν επιτρέπονται κατά τη διάρκεια του μαγειρέματος στο φούρνο μικροκυμάτων.

23. Η συσκευή δεν πρέπει να καθαρίζεται με καθαριστικό ατμού.

24. Η συσκευή προορίζεται να χρησιμοποιηθεί ανεξάρτητα.

25. Η πίσω επιφάνεια των συσκευών πρέπει να τοποθετείται σε τοίχο.

ΔΙΑΒΑΣΤΕ ΠΡΟΣΕΚΤΙΚΑ ΤΙΣ ΟΔΗΓΙΕΣ ΠΡΙΝ ΑΠΟ ΤΗ ΧΡΗΣΗ ΤΟΥ ΦΟΥΡΝΟΥ ΣΑΣ ΚΑΙ ΑΠΟΘΗΚΕΥΣΤΕ ΤΙΣ ΜΕ ΠΡΟΣΟΧΗ.

Για τη μείωση του κινδύνου τραυματισμού σε άτομα

Εγκατάσταση γείωσης

ΚΙΝΔΥΝΟΣ

Κίνδυνος ηλεκτροπληξίας Το άγγιγμα ορισμένων εσωτερικών εξαρτημάτων μπορεί να προκαλέσει σοβαρό τραυματισμό ή θάνατο. Μην αποσυναρμολογήσετε τη συσκευή.

ΠΡΟΕΙΔΟΠΟΙΗΣΗ

Κίνδυνος ηλεκτροπληξίας Η ακατάλληλη χρήση της γείωσης μπορεί να προκαλέσει ηλεκτροπληξία.

Μην συνδέετε σε μια πρίζα μέχρι να εγκατασταθεί σωστά η συσκευή και να γειωθεί. Αυτή η συσκευή πρέπει να είναι γειωμένη. Σε περίπτωση ηλεκτρικού βραχυκυκλώματος, η γείωση μειώνει τον κίνδυνο ηλεκτροπληξίας παρέχοντας ένα καλώδιο διαφυγής για το ηλεκτρικό ρεύμα.

Αυτή η συσκευή είναι εξοπλισμένη με καλώδιο που έχει καλώδιο γείωσης με βύσμα γείωσης.

Το φις πρέπει να είναι συνδεδεμένο σε μια πρίζα που είναι σωστά τοποθετημένη και γειωμένη. Συμβουλευτείτε έναν εξειδικευμένο ηλεκτρολόγο ή συντηρητή εάν οι οδηγίες γείωσης δεν είναι πλήρως κατανοητές ή εάν υπάρχουν αμφιβολίες σχετικά με τη σωστή γείωση της συσκευής.

Εάν είναι απαραίτητο να χρησιμοποιήσετε ένα καλώδιο επέκτασης, χρησιμοποιήστε μόνο ένα καλώδιο προέκτασης τριών καλωδίων.

1. Παρέχεται ένα μικρό καλώδιο τροφοδοσίας για να μειωθούν οι κίνδυνοι που προκύπτουν από την εμπλοκή ή την αποκοπή σε ένα μεγαλύτερο καλώδιο.
2. Εάν χρησιμοποιείται ένα μακρύ καλώδιο ή ένα καλώδιο προέκτασης:

1) Η σήμανση του ηλεκτρικού καλωδίου ή του καλωδίου επέκτασης πρέπει να είναι τουλάχιστον ίση με την ονομαστική ηλεκτρική ισχύ της συσκευής.

2) Το καλώδιο επέκτασης πρέπει να είναι καλώδιο τριών καλωδίων γείωσης.

3) Το μακρύ καλώδιο θα πρέπει να είναι τοποθετημένο έτσι ώστε να μην κουρτίζεται πάνω από το πάνω μέρος του πάγκου ή από το τραπέζι όπου μπορεί να τραβηχτεί από τα παιδιά ή παρακωλύεται ακούσια.

ΚΑΘΑΡΙΣΜΑ

Βεβαιωθείτε ότι έχετε αποσυνδέσει τη συσκευή από την παροχή ρεύματος.

1. Καθαρίστε την κοιλότητα του φούρνου μετά από χρήση με ένα ελαφρώς υγρό πανί.

2. Καθαρίστε τα εξαρτήματα με τον συνήθη τρόπο σε σαπουνόνερο.

3. Το πλαίσιο της πόρτας και τα στεγανά και τα γειτονικά μέρη πρέπει να καθαρίζονται προσεκτικά με ένα υγρό πανί όταν είναι βρώμικα.

4. Μην χρησιμοποιείτε σκληρά λειαντικά καθαριστικά ή αιχμηρά μεταλλικά ξύστρα για να καθαρίσετε το γυαλί της πόρτας του φούρνου, επειδή μπορεί να γρατσουνίσει την επιφάνεια, γεγονός που μπορεί να προκαλέσει θρυμματισμό της υάλου.

5. Συμβουλή καθαρισμού --- Για ευκολότερο καθαρισμό των τοίχων κοιλότητων που μπορεί να αγγίξει το μαγειρεμένο φαγητό: Τοποθετήστε μισό λεμόνι σε ένα μπολ, προσθέστε 300ml (1/2 pint) νερό και θερμαίνετε σε 100% ισχύ μικροκυμάτων για 10 λεπτά. Σκουπίστε το φούρνο καθαρά χρησιμοποιώντας ένα μαλακό, στεγνό πανί.

ΣΚΕΥΗ ΠΡΟΣΟΧΗ

Προσωπικός κίνδυνος τραυματισμού

Είναι επικίνδυνο για οποιονδήποτε πλην του αρμόδιου προσώπου να εκτελεί οποιαδήποτε υπηρεσία ή επισκευή που συνεπάγεται την αφαίρεση ενός καλύμματος που παρέχει προστασία από την έκθεση σε ενέργεια μικροκυμάτων.

Δείτε τις οδηγίες σχετικά με τα "Υλικά που μπορείτε να χρησιμοποιήσετε σε φούρνο μικροκυμάτων ή για να αποφύγετε σε φούρνο μικροκυμάτων". Μπορεί να υπάρχουν ορισμένα μη μεταλλικά σκεύη που δεν είναι ασφαλή στη χρήση για φούρνο μικροκυμάτων. Αν υπάρχει αμφιβολία, μπορείτε να δοκιμάσετε το συγκεκριμένο σκεύος ακολουθώντας την παρακάτω διαδικασία.

Δοκιμή σκευών:

1. Γεμίστε ένα δοχείο με φούρνο μικροκυμάτων με 1 φλιτζάνι κρύο νερό (250ml) μαζί με το συγκεκριμένο σκεύος
2. Μαγειρέψτε στη μέγιστη ισχύ για 1 λεπτό.
3. Να αισθανθείτε προσεκτικά το σκεύος. Αν το άδειο σκεύος είναι ζεστό, μην το χρησιμοποιείτε για το μαγείρεμα στο φούρνο μικροκυμάτων.
4. Μην υπερβείτε το χρόνο μαγειρέματος 1 λεπτό.

Υλικά που μπορείτε να χρησιμοποιήσετε σε φούρνο μικροκυμάτων

Σκεύη	Παρατηρήσεις
Περιστρεφόμενος άξονας	Ακολουθήστε τις οδηγίες του κατασκευαστή. Ο πυθμένας του δίσκου ροδίσματος πρέπει να είναι τουλάχιστον 3/16 ίντσες (5mm) πάνω από το πικάπ. Η εσφαλμένη χρήση μπορεί να προκαλέσει σπάσιμο του πικάπ.
Σερβίτσια	Μόνο για μικρά παιδιά. Ακολουθήστε τις οδηγίες του κατασκευαστή. Μην χρησιμοποιείτε σχισμένα ή πελεκημένα πιάτα.
Γυάλινα βάζα	Αφαιρέστε πάντα το καπάκι. Χρησιμοποιείτε μόνο για να θερμαίνετε τα τρόφιμα μέχρι να ζεσταθούν. Τα περισσότερα γυάλινα βάζα δεν είναι ανθεκτικά στη θερμότητα και μπορεί να σπάσουν.
Υαλικά	Θερμικά ανθεκτικά γυάλινα σκεύη φούρνου. Βεβαιωθείτε ότι δεν υπάρχει μεταλλική επένδυση. Μην χρησιμοποιείτε σχισμένα ή πελεκημένα πιάτα.
Τσάντες μαγειρικής	Ακολουθήστε τις οδηγίες του κατασκευαστή. Μην κλείνετε με μεταλλική γραβάτα. Κάνετε σχισμές για να αφήσετε τον ατμό να ξεφύγει.
Χάρτινες πλάκες και κύπελλα	Χρησιμοποιείται μόνο για βραχυπρόθεσμο μαγείρεμα / θέρμανση. Μην αφήνετε το φούρνο χωρίς επιτήρηση κατά το μαγείρεμα.
Χαρτοπετσέτες	Χρησιμοποιήστε το για να καλύψετε τα τρόφιμα για την αναθέρμανση και την απορρόφηση του λίπους. Χρησιμοποιείτε με επιβλεψη μόνο για βραχυπρόθεσμο μαγείρεμα.
Περγαμηνή	Χρησιμοποιήστε το ως κάλυμμα για να αποφύγετε το ψεκασμό ή ένα περιτύλιγμα για τον ατμό.
Χαρτί	Μόνο για μικρά παιδιά. Ακολουθήστε τις οδηγίες του κατασκευαστή. Θα πρέπει να φέρει την ένδειξη "Ασφαλές με μικροκύματα". Ορισμένα πλαστικά δοχεία μαλακώνουν, καθώς τα τρόφιμα μέσα ζεσταίνονται. Οι "σάκοι βρασμού" και οι σφικτά κλειστές πλαστικές σακούλες θα πρέπει να σχιστούν, να τρυπηθούν ή να εξεραρωθούν σύμφωνα με τις οδηγίες της συσκευασίας.
Πλαστική ύλη	Μόνο για μικρά παιδιά. Χρησιμοποιήστε το για να καλύψετε τα τρόφιμα κατά τη διάρκεια του μαγειρέματος για να διατηρήσετε την υγρασία. Μην επιτρέπετε το πλαστικό περιτύλιγμα να αγγίζει τα τρόφιμα.
Θερμόμετρα	Μόνο για ασφαλή με μικροκύματα (θερμόμετρα για κρέας και καραμέλες).
Κερίνο χαρτί	Χρησιμοποιήστε το ως κάλυμμα για να αποφύγετε το ψεκασμό και να διατηρήσετε την υγρασία.

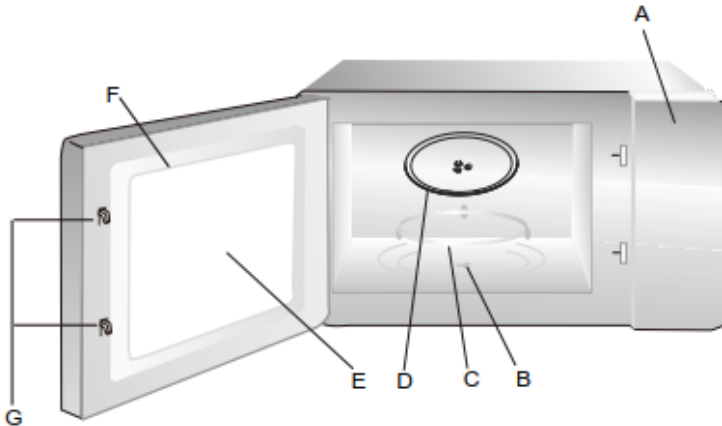
Υλικά που πρέπει να αποφεύγονται σε φούρνο μικροκυμάτων

Σκεύη	Παρατηρήσεις
Δίσκος αλουμινίου	Μπορεί να προκαλέσει ηλεκτροπληξία. Μεταφέρετε τα τρόφιμα σε πιάτο ασφαλές σε φούρνο μικροκυμάτων
Κουτί τροφίμων με μεταλλική λαβή	Μπορεί να προκαλέσει ηλεκτροπληξία. Μεταφέρετε τα τρόφιμα σε πιάτο ασφαλές σε φούρνο μικροκυμάτων
Μέταλλο ή μέταλλο-κομμένα σκεύη	Το μέταλλο προστατεύει το φαγητό από την ενέργεια μικροκυμάτων. Η μεταλλική επένδυση μπορεί να κόβει τα σκεύη, προκαλώντας τόξο.
Μεταλλικοί σύνδεσμοι συστροφής	Μπορεί να προκαλέσει πυρκαγιά και να προκαλέσει πυρκαγιά στο φούρνο .
Χάρτινες σακούλες	Μπορεί να προκαλέσει πυρκαγιά στο φούρνο.
Πλαστικό αφρό	Ο πλαστικός αφρός μπορεί να λιώσει ή να μολύνει το εσωτερικό του υγρού όταν εκτίθεται σε υψηλή θερμοκρασία.
Ξύλο	Το ξύλο θα στεγνώσει όταν χρησιμοποιηθεί στον φούρνο μικροκυμάτων και μπορεί να σπάσει.

Μέρη του φούρνου και εξαρτήματα

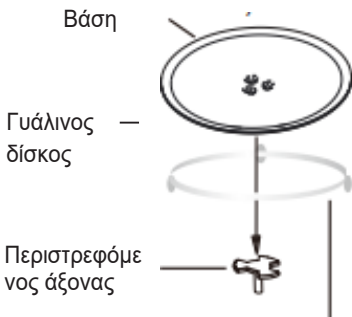
Αφαιρέστε το φούρνο και όλα τα υλικά από το κουτί και την κοιλότητα του φούρνου. Ο φούρνος σας διαθέτει τα παρακάτω εξαρτήματα:

Γυάλινος δίσκος	1
Συγκρότημα δακτυλίων γκραναζιού	1
Εγχειρίδιο οδηγιών	1



- A) Πίνακας ελέγχου
- B) Άξονας περιστρεφόμενου δίσκου
- Γ) Συγκρότημα δακτυλίων γκραναζιού
- Δ) Γυάλινο δίσκο
- Ε) Παράθυρο παρατήρησης
- Η) Συναρμολόγηση πόρτας
- Θ) Σύστημα ασφάλισης ασφαλείας

Περιστρεφόμενος άξονας



Συγκρότημα δακτυλίου
πικαπ

1. Ποτέ μην τοποθετείτε το γυάλινο δίσκο ανάποδα. Τιπότε δεν πρέπει να εμποδίζει το γυάλινο δίσκο.
2. Κατά το ψήσιμο και ο γυάλινος δίσκος και ο περιστρεφόμενος άξονας πρέπει να λειτουργούν.
3. Κατά το ψήσιμο, όλα τα τρόφιμα και δοχεία πρέπει να τοποθετηθούν επάνω στο γυάλινο δίσκο.
4. Εάν ο γυάλινος δίσκος ή ο περιστρεφόμενος άξονας ραγίσουν ή σπάσουν, επικοινωνήστε με το πιο κοντινό εξουσιοδοτημένο κέντρο επισκευών.

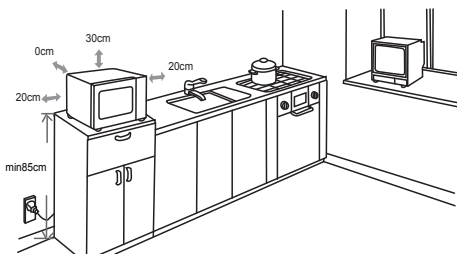
Τοποθέτηση και εγκατάσταση

Αφαιρέστε όλο το υλικό συσκευασίας και τα αξεσουάρ. Εξετάστε το φούρνο για τυχόν ζημιές όπως χτυπήματα ή σπασμένη πόρτα. Μην το εγκαταστήσετε εάν έχει φθαρεί ο φούρνος.

Φούρνος: Αφαιρέστε τυχόν προστατευτική μεμβράνη στην επιφάνεια του φούρνου μικροκυμάτων. Μην αφαιρείτε το ανοιχτό καφέ κάλυμμα Mica που είναι προσαρτημένο στην κοιλότητα του φούρνου για την προστασία του μαγνήτη.

Εγκατάσταση

1. Επιλέξτε μια επίπεδη επιφάνεια που παρέχει αρκετό ανοικτό χώρο για τα ανοίγματα εισαγωγής και / ή εξόδου.



- (1) Το ελάχιστο ύψος εγκατάστασης είναι 85εκ.
- (2) Η πίσω επιφάνεια της συσκευής τοποθετείται σε τοίχο. Αφήστε μια ελάχιστη απόσταση 30 εκ πάνω από το φούρνο, απαιτείται ελάχιστη απόσταση 20 εκ μεταξύ του φούρνου και τυχόν παρακείμενων τοίχων.
- (3) Μην αφαιρείτε τα πόδια από το κάτω μέρος του φούρνου.
- (4) Το μπλοκάρισμα των ανοιγμάτων εισαγωγής και / ή εξόδου μπορεί να προκαλέσει βλάβη στο φούρνο.
- (5) Τοποθετήστε το φούρνο όσο το δυνατόν πιο μακριά μακριά από ραδιόφωνα και τηλεόραση. Η λειτουργία του φούρνου μικροκυμάτων μπορεί να προκαλέσετε παρεμβολές στο δικό σας ραδιόφωνο ή τηλεοπτική λήψη.

2. Συνδέστε το φούρνο σας σε α τυπική οικιακή πρίζα. Βεβαιωθείτε ότι η τάση και η συχνότητα είναι η ίδια ως τάση και συχνότητα στην αξιολόγηση επιγραφή.

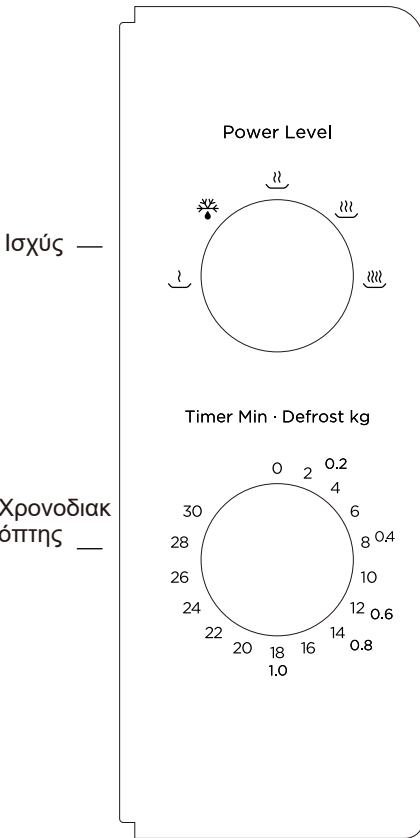
ΠΡΟΕΙΔΟΠΟΙΗΣΗ: Μην εγκαταστήσετε φούρνο σε μια επιφάνεια μαγειρικής ή άλλες θερμότητας που παράγουν συσκευή. Εάν είναι εγκατεστημένο κοντά ή πάνω από μια πηγή θερμότητας, το μπορεί να καταστραφεί ο φούρνος και η εγγύηση θα ήταν άκιρη.

Η προσβάσιμη επιφάνεια μπορεί να ζεσταθεί κατά τη λειτουργία.



ΛΕΙΤΟΥΡΓΙΑ

Πίνακας ελέγχου και δυνατότητες Οδηγίες λειτουργίας



1. Ρυθμίστε την ισχύ μαγειρέματος στρέφοντας το κουμπί τροφοδοσίας στο επιθυμητό επίπεδο.
2. Ρυθμίστε το χρόνο μαγειρέματος στρέφοντας το κουμπί του χρονοδιακόπτη στην επιθυμητή ώρα ανά τον οδηγό μαγειρέματος του φαγητού σας.
3. Ο φούρνος μικροκυμάτων θα ξεκινά αυτόματα το μαγείρεμα αφού ρυθμιστεί το επίπεδο ισχύος και η ώρα.
4. Όταν τελειώσει ο χρόνος μαγειρέματος, η μονάδα θα σταματήσει το "Dong".
5. Εάν η μονάδα δεν χρησιμοποιείται, ρυθμίστε πάντα την ώρα στο "0".

Λειτουργία/Ισχύς	Παραγωγή	Εφαρμογή
⌋	17% micro.	Μαλακώστε το παγωτό
☀	33% micro.	Σούπα σιφάδο, μαλακώστε το βούτυρο ή ξεπαγώστε
⌋⌋	55% micro.	Σιφάδο, ψάρι
⌋⌋⌋	77% micro.	Ρύζι, ψάρι, κοτόπουλο, κιμάς
⌋⌋⌋⌋	100% micro.	Ζεσταίνετε , γάλα, βράστε νερό, λαχανικά, ρόφημα

Σημείωση: Όταν αφαιρείτε τρόφιμα από το φούρνο, βεβαιωθείτε ότι η τροφοδοσία του φούρνου είναι απενεργοποιημένη γυρίζοντας το διακόπτη του χρονοδιακόπτη στο 0 (μηδέν).

Αντίθετη περίπτωση και περίπτωση λειτουργίας του φούρνου μικροκυμάτων χωρίς φαγητό, μπορεί να οδηγήσει σε υπερθέρμανση και ζημιά.

Αντιμετώπιση προβλημάτων

Κανονική λειτουργία	
Φούρνος μικροκυμάτων που παρεμποδίζει την τηλεοπτική λήψη	Η λήψη ραδιοφώνου και τηλεόρασης μπορεί να επηρεαστεί όταν ο φούρνος μικροκυμάτων λειτουργεί. Είναι παρόμοιο με την παρεμβολή μικρών ηλεκτρικών συσκευών, όπως μίξερ, ηλεκτρική σκούπα και ηλεκτρικό ανεμιστήρα. <i>Είναι φυσιολογικό</i>
Αμυδρό φως του φούρνου	Σε φούρνο μικροκυμάτων χαμηλής κατανάλωσης, ο φωτισμός του φούρνου μπορεί να μειωθεί. Είναι <i>φυσιολογικό</i>
Ο ατμός συσσωρεύεται στην πόρτα, ο ζεστός αέρας έξω από τους αεραγωγούς	Κατά το μαγείρεμα, ο ατμός μπορεί να βγει από το φαγητό. Οι περισσότεροι θα βγουν από τα ανοίγματα. Ορισμένοι μπορεί να συσσωρεύονται σε δροσερό μέρος <i>όπως η πόρτα του φούρνου. Είναι φυσιολογικό.</i>
Ο φούρνος ξεκίνησε τυχαία χωρίς φαγητό.	Απαγορεύεται η λειτουργία της μονάδας χωρίς εσωτερικό φαγητό. Είναι πολύ επικίνδυνο.

Πρόβλημα	Πιθανή αιτία	Λύση
Ο φούρνος δεν ανάβει	(1) Το καλώδιο ρεύματος δεν είναι σωστά συνδεδεμένο	Αποσυνδέστε το καλώδιο και ξανασυνδέστε το μετά από 10 δευτερόλεπτα
	(2) Ανώμαλη ηλεκτρική ασφάλεια	Αλλάξτε την ηλεκτρική ασφάλεια
	(3) Πρόβλημα με την πρίζα	Ελέγξτε την πρίζα με άλλη ηλεκτρική συσκευή
Ο φούρνος δε ζεσταίνει	(4) Η πόρτα δεν είναι καλά κλεισμένη	Κλείστε την πόρτα καλά



Σύμφωνα με τη διάταξη για τη διάθεση ηλεκτρικών και ηλεκτρονικών συσκευών, τέτοιου είδους εξοπλισμός πρέπει να μαζεύεται και να ανακυκλώνεται ξεχωριστά. Σε περίπτωση που πρέπει να πετάξετε τη συσκευή, παρακαλούμε ΜΗΝ την πετάξετε με άλλα οικιακά απόβλητα, αλλά στην προκαθορισμένη θέση για αυτό.



VOX
ELECTRONICS

SVN

Mikrovalna pečica
NAVODILA ZA UPORABO
MWH M19

Pred uporabo mikrovalovne pečice pozorno preberite navodila in jih shranite za poznejšo uporabo.
Ob upoštevanju navodil vam bo pečica dolgo in učinkovito služila.

SHRANITE TA NAVODILA NA VARNO MESTO

VARNOSTNI UKREPI ZA IZOGIBANJE PREKOMERNEMU IZPOSTAVLJANJU MIKROVALOVNEMU SEVANJU

(a) Ne poskušajte uporabljati pečico z odprtimi vrati, saj to lahko povzroči škodljivo izpostavljenost mikrovalovni energiji. Pomembno je, da ne lomite oz. posegate v varnostne spoje.

(b) Ne postavljajte nikakršnih predmetov med sprednjo stran

pečice in vrata in ne dovolite nabiranja umazanije ali ostankov čistilnega sredstva na tesnilnih površinah.

(c) **POZOR:** V kolikor so vrata ali tesnila poškodovana, pečice ne uporabljajte, dokler je ne popravi ustrezno usposobljeno osebje.

DODATEK

V kolikor se aparat ne čisti redno, to negativno vpliva na površine aparata, skrajša njegovo življenjsko dobo in povzroči nevarnost.

SPECIFIKACIJE

Model:	MWH MD20
Nazivna napetost:	230V~50Hz
Nazivna vhodna moč:	1050W
Nazivna izhodna moč:	700W

POMEMBNA VARNOSTNA NAVODILA

OPOZORILO

Za zmanjšanje tveganja požara, električnega udara, telesnih poškodb ali prekomernega izpostavljanja mikrovalovni energiji, pri uporabi Vašega aparata upoštevajte osnovne varnostne ukrepe, in sicer:

1. Pozorno preberite in sledite navodilom v delu »VARNOSTNI UKREPI ZA IZOGIBANJE PREKOMERNEMU IZPOSTAVLJANJU MIKROVALOVNEMU SEVANJU«

2. Aparat smejo uporabljati otroci nad 8 leti starosti, osebe z zmanjšanimi telesnimi, zaznavnimi in umskimi sposobnostmi ali s pomanjkljivim znanjem in izkušnjami, vendar izključno pod nadzorom osebe, ki ima navodila za varno uporabo in ob razumevanju nevarnosti, ki so prisotne ob uporabi. Otrokom ne dovolite, da se igrajo z aparatom. Otroci nad 8 leti starosti smejo vzdrževati ali čistiti aparat samo pod nadzorom odrasle osebe. Otroke mlajše od 8 let morate držati dlje od aparata, razen če so pod stalnim nadzorom.

3. Držite aparat in njegov kabel izven dosega otrok mlajših od 8 let.

4. V kolikor se električni kabel poškoduje, ga mora zamenjati proizvajalec, pooblaščen serviser ali ustrezno usposobljeno osebo, da bi se izognili tveganju.

5. POZOR: Pred menjavo žarnice, preverite ali je aparat izklopljen iz električne vtičnice, da ne bi prišlo do nevarnosti električnega udara.

6. POZOR: Pokrov za zaščito od mikrovalovne energije sme odstraniti samo ustrezno usposobljena oseba, saj lahko v nasprotnem pride do telesnih poškodb in materialne škode.

7. POZOR: Tekočine in druge hrane ne segrevajte v zaprtih posodah zaradi nevarnosti eksplozije.

8. Pri segrevanju hrane v plastičnih ali papirnatih posodah pazljivo

spremljajte delovanje pečice zaradi nevarnosti požara.

9. Uporabljajte samo posode primerne za mikrovalovne pečice.

10. V primeru uhajanja dima nemudoma ugasnite pečico ali jo izključite iz

električne vtičnice ter držite vrata zaprta, da se ogenj ugasne.

11. Segrevanje napitkov v mikrovalovni pečici lahko povzroči zakasnelo eruptivno vrenje, zato je treba biti pozoren pri rokovanju s posodami v katerih se nahaja tako segreta tekočina.

12. Da ne bi prišlo do opeklin, vsebino posod s hrano ali pijačo namenjeno otrokom pred hranjenjem premešajte ali potresite in preverite temperaturo.

13. Jajca z lupino in trdo kuhana jajca ni priporočljivo greti v mikrovalovni pečici, ker se lahko razpočijo, tudi po koncu segrevanja.

14. Pečico redno čistite od ostankov hrane.

15. Neredno čiščenje pečice lahko povzroči propadanje njenih površin in posledično skrajšanje življenjske dobe aparata ter privede do nevarnih situacij.

16. Aparat ne sme biti nameščen za okrasnimi vrati, da ne bi prišlo do pregrevanja. (To ne velja za aparate z okrasnimi vrati)

17. Uporabljajte le sondo za temperaturo, ki je priporočena za to pečico. (za pečice, pri katerih obstaja možnost uporabe sonde za temperaturo)

18. Mikrovalovno pečico ne smete nameščati v omaro oz. vgradno, razen če ni testirana za takšno namestitev.

19. Mikrovalovna pečica pri obratovanju mora imeti okrasna vrata odprta. (Pri pečicah z okrasnimi vrati.)

20. Ta aparat je namenjen uporabi v gospodinjstvu in podobnih okoljih, kot so:

- kuhinja za osebje, pisarne in podobna delovna okolja,
- v hotelih, motelih in podobnih okoljih,
- vaških hišah,
- prenočiščih.

21. Mikrovalovna pečica je namenjena segrevanju hrane in napitkov. Sušenje hrane ali oblačil, segrevanje grelnih vložkov, copat, spužv, vlažnih krp in podobnega lahko privede do požara in telesnih poškodb.

22. Ni dovoljena uporaba kovinskih posod za mikrovalovno segrevanje.

23. Ne čistite aparata s parnim čistilnikom.

24. Aparat uporabljajte v prosto stoječem stanju.

25. Hrbtno površino aparata je treba postaviti proti zidu.

**POZORNO PREUČITE NAVODILA IN JIH SHRANITE ZA
POZNEJŠO UPORABO**

Ukrepi za manjšanje tveganja telesnih poškodb - Ozemljitev

NEVARNOST

Nevarnost električnega udara

Dotikanje nekaterih notranjih delov pečice lahko povzroči resne poškodbe ali smrt. Ne razstavljajte tega aparata.

OPOZORILO

Nevarnost električnega udara

Neustrezna ozemljitev lahko povzroči električni udar. Ne vključujte aparata v električno vtičnico, dokler ga pravilno ne namestite in ozemljite. Aparat mora biti ozemljen. V primeru kratkega stika ozemljitev zmanjšuje nevarnost električnega udara prek odvodne žice za električno energijo.

Ta aparat je opremljen z ozemljenim električnim kablom in vtikačem s kontaktom za ozemljitev. Vtikač je treba vključiti v pravilno nameščeno in ozemljeno električno vtičnico.

V kolikor navodil za ozemljitev ne razumete v celoti, se posvetujte z ustrezno usposobljenim električarjem ali serviserjem.

V kolikor morate uporabljati električni podaljšek, uporabljajte izključno podaljšek s tremi žicami.

Električni kabel aparata je kratek, zato da bi se zmanjšalo tveganje zapletanja in spotikanja ob kabel.

1. V kolikor uporabljate drugi električni kabel ali podaljšek:

1) Nazivna zmogljivost električnega kabla ali podaljška mora biti enaka ali večja od nazivne moči aparata.

2) Električni podaljšek mora biti ozemljen oz. imeti tri žice.

3) Dolg električni kabel je treba postaviti tako, da ne visi prek roba delovne površine ali mize, kjer ga lahko dosežejo otroci, ali se lahko kdo spotakne ob njega.

ČIŠČENJE

Preden začnete s čiščenjem, obvezno izključite kabel iz električne vtičnice.

1. Po uporabi notranjost pečice očistite z rahlo navlaženo krpo.
2. Dodatke lahko pomijete z milom, v vodi.
3. Kadar so umazani, je potrebno okvir vrat, tesnilo in sosednje dele pozorno očistiti.
4. Ne uporabljajte agresivnih abrazivnih čistilnih sredstev ali grobih kovinskih žic za čiščenje, saj lahko poškodujejo površino in tako privedejo do razbijanja stekla.
5. Nasvet za čiščenje – za lažje čiščenje notranjosti pečice od maščobe, postavite pol limone v posodo in dodajte 300 ml vode. Obrišite pečico z mehko krpo.

POSODE

POZOR

Nevarnost telesnih poškodb

Servisiranje ali popravilo, ki zahteva odstranitev zaščitnega pokrova proti mikrovalovnem sevanju, je nevarno in ga sme opravljati le ustrezno usposobljeno osebje.

Glej navodila o "Materialih, ki so primerni za uporabo v mikrovalovni pečici" Obstajajo določene nekovinske posode, ki niso varne za uporabo v mikrovalovni pečici. Če niste prepričani, dano posodo lahko preizkusite na spodaj opisani način:

Preizkus posode:

1. Napolnite posodo za uporabo v mikrovalovni pečici s kozarcem hladne vode (250ml) in dodajte posodo/pribor, ki ga želite preizkusiti.
2. Segrevajte na maksimalni nastavitvi 1 minuto.
3. Previdno potipajte posodo. V kolikor je prazna posoda topla, je ne uporabljajte v mikrovalovni pečici.
4. Pri preizkusu ne segrevajte dlje od 1 minute.

Materiali primerni za uporabo v mikrovalovni pečici

Posoda/Pribor	Opombe
Posoda za pečenje	Upoštevajte navodila proizvajalca. Dno posode mora biti najmanj 5mm nad vrtljivim pladnjem. Nepravilna uporaba lahko povzroči, da pladenj počí.
Servis za hrano	Izključno posode, ki so primerne za uporabo v mikrovalovnih pečicah. Upoštevajte navodila proizvajalca. Ne uporabljajte počene ali drugače poškodovane posode
Stekleni kozarci	Vedno odstranite pokrov. Segrejte vendar ne pregrevajte hrane. Večina kozarcev ni odporna na toploto in lahko počí.
Steklene posode	Koristite izključno na toploto odporno steklo za peko. Posode ne smejo imeti kovinskih elementov. Ne uporabljajte počene ali drugače poškodovane posode.
Vrečke za pečenje	Upoštevajte navodila proizvajalca. Ne zapirajte s kovinsko sponko. Napravite odprtine za uhajanje pare.
Papirnati krožniki in kozarci	Uporabljajte jih izključno za kratkotrajno kuhanje / segrevanje. Ne puščajte pečice brez nadzora med segrevanjem.
Papirnaté salvete	Uporabljajte jih za prekrivanje hrane, za vpijanje maščobe. Ne puščajte pečice brez nadzora med segrevanjem in uporabljajte samo za kratko segrevanje.
Papir za pečenje	Uporabljajte kot pokrov, da bi preprečili škropljenje, ali kot ovoj za parno kopel.
Plastika	Uporabljajte izključno plastiko primerno za mikrovalovne pečice. Upoštevajte navodila proizvajalca. Morala bi imeti oznako "Microwave Safe". Nekatere plastične posode se zmeščajo med segrevanjem.
Plastična folija	Uporabljajte izključno folijo primerno za mikrovalovne pečice. Uporabljajte za prekrivanje hrane med segrevanjem, zaradi zadrževanja vlage.
Termometri	Izključno termometri primerni za uporabo v mikrovalovni pečici (za meso in kolače).
Mastni papir	Uporabljajte ga kot pokrov za preprečevanje škropljenja in za zadrževanje vlage.

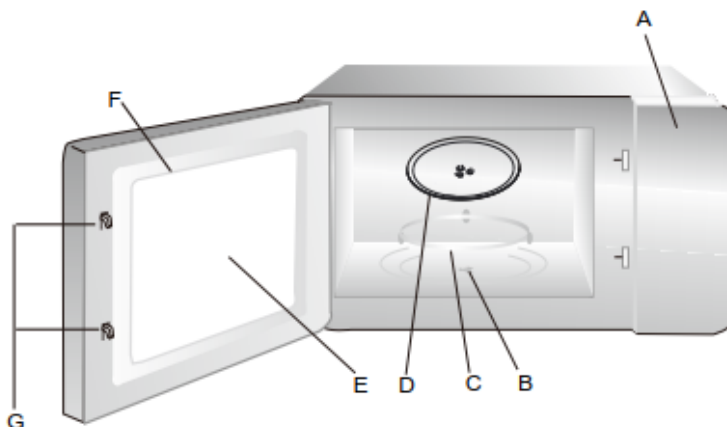
Materiali, ki niso primerni za uporabo v mikrovalovni pečici

Posoda/Pribor	Opombe
Aluminijski pladnji	Lahko povzroči iskenje. Uporabljajte posodo primerno za mikrovalovno
Posode s kovinskimi ročaji	Lahko povzroči iskenje. Uporabljajte posodo primerno za mikrovalovno
Kovinske posode ali pribor	Kovina blokira prodor mikrovalovnega sevanja v hrano. Kovina lahko povzroči iskenje.
Kovinske žice	Lahko povzročijo iskenje in požar v pečici.
Papirnaté vrečke	Lahko povzročijo požar v pečici.
Plastična pena	Plastična pena se pri visoki temperature lahko stopi in onesnaži notranjost pečice.
Les	Les se pri uporabi v mikrovalovni pečici izsuši, lahko pa se tudi razcepi ali počí.

Deli pečice in oprema

Odstranite ves embalažni material z in iz pečice. Pečici pripada naslednja oprema:

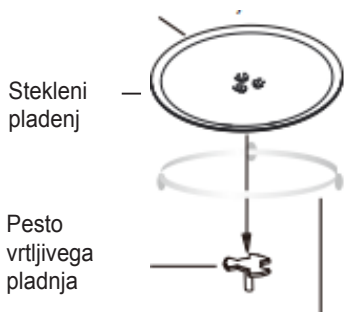
Steklen pladenj	1
Obroč vrtljivega pladnja	1
Navodila za uporabo	1



- A) Nadzorna plošča
- B) Pesto za vrtljivi pladenj
- C) Obroč vrtljivega pladnja
- D) Steklen pladenj
- E) Okno
- F) Vrata
- G) Sistem varnostnega zaklepanja

Namestite vrtljivega pladnja

Pesto (spodaj)



Obroč vrtljivega pladnja

- a. Nikoli ne postavljajte zgornje strani pladnja navzdol. Gibanje pladnja ne sme biti ovirano.
- b. Pri vsakem segrevanju je potrebno uporabljati vrtljivi pladenj in obroč pladnja.
- c. Vsa živila in posode z živila se morajo postaviti na stekleni pladenj.
- d. Če stekleni pladenj ali obroč pladnja počí ali se pojavijo razpoke, stopite v stik z najbližjim pooblaščenim servisom.

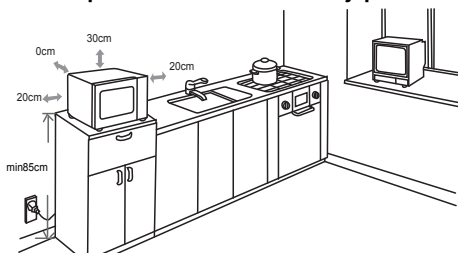
Namestitev na delovno površino

Odstranite vso embalažo in opremo. Preverite, ali so na pečici prisotne poškodbe, kot so praske ali poškodbe vrat. V kolikor je poškodovana, pečice ne nameščajte.

Ohišje: Odstranite zaščitno folijo s površine ohišja pečice. Ne odstranjujte svetlo rjavo prevleko iz Mica materiala pritrjeno v notranjosti pečice, ki služi za zaščito magnetrona.

NAMESTITEV

1. Izberite ravno površino z dovolj prostora za zračenje.



- (1) Minimalna višina za namestitev je 85 cm.
- (2) Zadnja stran pečice mora biti obrnjena proti zidu. Pustite najmanj 30 cm prostora nad pečico, ter najmanj 20 cm prostora med pečico in zidovi.
- (3) Ne odstranjujte nogic z dna pečice.
- (4) Blokiranje zračnih dovodov in/ali dovodov lahko poškoduje pečico.
- (5) Pečico postavite čim dlje od radijskih in tv sprejemnikov. Obratovanje pečice lahko povzroči motnje pri sprejemu radijskega ali tv signala.

2. Priklopite pečico v standardno hišno električno vtičnico. Preverite ali napetost in frekvenca ustrežata podatkom navedenim na napisni tablici s tehničnimi podatki pečice.

POZOR: Ne nameščajte pečice nad štedilnik ali drug grelni aparat. V kolikor pečico namestite v bližino ali nad izvor toplote, lahko pride do poškodbe pečice in prenehanja veljavnosti garancije.

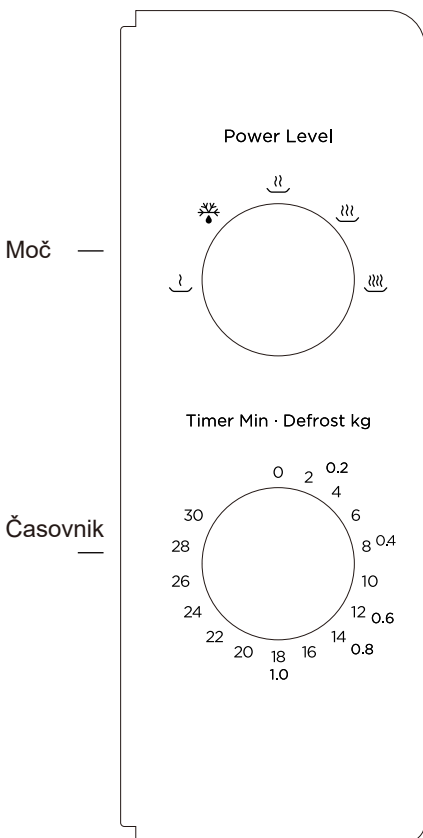
Dostopne površine se lahko med obratovanjem močno segrejejo.



DELOVANJE

Nadzorna plošča in funkcije

Navodila za uporabo



1. Za nastavitev moči kuhanja z vrtenjem gumba za moč na želeno raven.
2. Za nastavitev časa kuhanja z obračanjem gumba časovnika na želeni čas v skladu z navodili za kuhanje hrane.
3. Po nastavitvi stopnje moči in časa bo mikrovalovna pečica samodejno začela kuhati.
4. Ko se čas kuhanja izteče, se bo enota ustavila z "Dong".
5. Če enote ne uporabljate, vedno nastavite čas na "0".

Funkcija/moč	Izhod	Aplikacija
	17% micro.	Mehčanje sladoleda
	33% micro.	Juha, mehčanje masla ali odtajanje
	55% micro.	Enolončnica, ribe
	77% micro.	Riž, ribe, piščanec, mleto meso
	100% micro.	Pogrevanje, mleko, kuhana voda, zelenjava, pijača

Opozorilo: Ko jemljete hrano iz pečice, se prepričajte, da je napajanje pečice izklopljeno, tako da obrnete časovno stikalo na 0 (nič).

Če tega ne storite in če mikrovalovno pečico uporabljate brez hrane, lahko pride do pregrevanja in poškodbe magnetrona.

Odpravljanje težav

Normalne pojave	
Mikrovalovna pečica moti sprejem TV signala	Mikrovalovna pečica lahko pri delovanju ovira sprejem radijskega in TV signala. To je podobno motnjam, ki jih povzročajo majhni gospodinjski aparati, kot so mešalnik, sesalnik in sušilnik za lase. To je normalno.
Zatemnjena luč v notranjosti pečice	Pri mikrovalovnem segrevanju na nizki nastavitvi moči, se lahko luč v pečici nekoliko zatemni. To je normalno.
Na vratih se nabira kondenzat, iz odvodov izhaja vroč zrak	Med segrevanjem lahko iz živil uhaja para. Večina pare bo izšla skozi odvode. Določena količina se lahko nabere v obliki kondenzata npr. na vratih. To je normalno.
Nenamerni zagon pečice brez živil	Prepovedano je sprožiti segrevanje pečice brez živil v njej. To je zelo nevarno, tako da če po nesreči to storite, pečico takoj ugasnite.

Težave	Možen vzrok	Rešitev
Pečica se noče prižgati.	(1) Električni kabel ni pravilno priključen.	Izključite kabel iz vtičnice in ga po 10 sekundah ponovno priključite.
	(2) Sprožena električna varovalka.	Zamenjajte varovalko (popravilo opravlja ustrezno usposobljeno osebje)
	(3) Problem z električno vtičnico.	Preizkusite vtičnico z drugimi električnimi aparati.
Pečica ne segreva	(4) Vrata niso dobro zaprta.	Dobro zaprite vrata.



Po direktivi o odlaganju električne in elektronske opreme (WEEE), je za tovrstno opremo potrebno ločeno zbiranje in predelava. V kolikor želite odložiti odslužen aparat, vas prosimo, da ga ne odlagate skupaj z navadnimi gospodinjskimi odpadki, temveč na ustrezno zbiralno mesto.

PN:P000006440727



VOX
ELECTRONICS

HRV

Mikrovalna pećnica

UPUTE ZA UPORABU

MWH M19

Pažljivo pročitajte ove upute prije uporabe vaše nove mikrovalne pećnice i odložite upute na sigurno i znano mjesto za slučaj budućeg korištenja.

Ako slijedite ove upute i pridržavate se svih sigurnosnih upozorenja, vaša nova mikrovalna pećnica pouzdano će vam služiti godinama.

PAŽLJIVO ČUVAJTE OVE UPUTE

MJERE OPREZA ZA IZBJEGAVANJE POTENCIJALNOJ IZLOŽENOSTI MIKROVALNOM ZRAČENJU

- (a) Ne upotrebljavajte mikrovalnu pećnicu dok su vrata pećnice otvorena, budući da to može rezultirati štetnim izlaganjem mikrovalnoj energiji. Važno je da se sigurnosne sklopke ne prepravljaju i da se nad njima ne provode prepravke i neovlaštene radnje koje mogu ugroziti vašu sigurnost.
- (b) Ne stavljajte nikakve predmete između vrata i prostora za posudu unutar mikrovalne pećnice, te vodite računa da se ne nakupljaju nečistoće ili ostaci sredstava za čišćenje na brtvama vrata.
- (c) **UPOZORENJE:** Ako su brtve za vrata ili vrata oštećena, mikrovalna pećnica se ne smije koristiti, dok ovlaštena servisna osoba ne ukloni kvar.

DODATAK

Ako se uređaj redovito ne održava i čisti, njegova površina može se uništiti, a to će utjecati na životni vijek trajanja uređaja te dovesti do potencijalno opasne situacije.

SPECIFIKACIJE

Model:	MWH M19
Nazivni napon:	230-240 V~ 50 Hz
Nazivna ulazna snaga:	1020 W
Nazivna izlazna snaga:	700 W

VAŽNE SIGURNOSNE UPUTE UPOZORENJE

Kako bi se smanjio rizik od požara, električnog udara, tjelesnih ozljeda ili pretjeranog izlaganja mikrovalnoj energiji kada upotrebljavate uređaj, molimo da uvijek slijedite osnovne mjere predostrožnosti, uključujući sljedeće:

1. Pročitajte i pridržavajte se "MJERA OPREZA ZA IZBJEGAVANJE PRÉTJERANOM IZLAGANJU MIKROVALNOJ ENERGIJI".

2. Ovaj uređaj mogu koristiti djeca starija od 8 godina, kao i osobe sa smanjenim fizičkim, osjetilnim ili mentalnim sposobnostima ili nedostatkom iskustva i znanja, jedino ako su pod nadzorom ili su im dane upute za sigurnu uporabu uređaja, te ako su svjesni potencijalnih opasnosti. Djeca se ne smiju igrati s uređajem. Čišćenje i održavanje ne smiju provoditi djeca mlađa od 8 godina i kada nisu pod nadzorom.

3. Držite uređaj i njegov kabel izvan dohvata djece mlađe od 8 godina.

4. Ukoliko je kabel za napajanje oštećen, mora ga zamijeniti proizvođač, servisier ili druga kvalificirana osoba kako bi se izbjegle ozljede.

5. UPOZORENJE: Uvjerite se da je uređaj isključen prije mijenjanja sijalice kako biste izbjegli mogućnost strujnog udara.

6. UPOZORENJE: Opasno je, osim za odgovorne ovlaštene servisere, provoditi bilo kakvo servisiranje ili popravak uređaja koji uključuje uklanjanje poklopca koji štiti osobe od izlaganja mikrovalnoj energiji.

7. UPOZORENJE: Tekućine i druge namirnice ne smiju se zagrijavati u zatvorenim posudama jer bi to moglo izazvati eksploziju.

8. Prilikom zagrijavanja hrane u plastičnim ili papirnatim posudama pazite na mikrovalnu pećnicu zbog mogućnosti požara.
9. Koristite isključivo pribor koji je pogodan za uporabu u mikrovalnim pećnicama.
10. Ako je vidljiv dim, isključite ili odspojite uređaj sa napajanja i ostavite vrata zatvorena, kako bi se spriječila pojava plamena.
11. Mikrovalno zagrijavanje pića može rezultirati odgođenim eruptivnim ključanjem, stoga na to treba pripaziti prilikom rukovanja posudama i spremnicima.
12. Sadržaj bočica za hranjenje i staklenki za bebe treba promiješati ili protresti prije uporabe i provjeriti temperaturu samog sadržaja kako bi se izbjegle opekline.
13. Jaja u ljusci i tvrdo kuhana jaja ne smiju se zagrijavati u mikrovalnoj pećnici, jer mogu eksplodirati, čak i nakon što je mikrovalna pećnica završila s grijanjem hrane.
14. Rernu treba redovno čistiti i uklanjati sve naslage hrane.
15. Ako dugoročno ne održavate pećnicu u čistom stanju, to može dovesti do propadanja površine, što može imati negativan utjecaj na vijek trajanja uređaja i potencijalno dovesti do opasne situacije.
16. Uređaj se ne sme postavljati iza ukrasnih vrata kako bi se izbeglo pregrevanje. (Ovo se ne odnosi na uređaje sa ukrasnim vratima).
17. Koristite samo temperaturne sonde preporučene za mikrovalnu pećnicu. (za pećnice koje su opremljene mogućnošću korištenja temperaturne sonde)

18. Mikrovalna pećnica ne smije se postavljati ili ugrađivati u kuhinjske elemente, osim ako je testirana.

19. Mikrovalna pećnica mora raditi sa otvorenim ukrasnim vratima. (za pećnice sa ukrasnim vratima)

20. Ovaj uređaj namijenjen je uporabi u kućanstvu i sličnim prostorima, kao što su:

-kuhinje osoblja, ureda i drugih radnih okruženja

-od strane gostiju u hotelima, motelima i drugim stambenim prostorima

-seoskim kućama;

-u prostorima koji nude "nićenje s doručkom".

21. Mikrovalna pećnica namijenjena je za grijanje hrane i pića. Sušenje hrane ili odjeće i grijaćih jastučića, papuča, spužvi, vlažnih krpa i slično može dovesti do opasnosti od ozljeda, zapaljenja ili požara.

22. Metalne posude za hranu i piće ne smeju se upotrebljavati pri mikrotalasnom kivanju.

23. Uređaj se ne smije čistiti parnim čistačem.

24. Uređaj se koristi kao samostalni aparat.

25. Stražnja strana uređaja treba biti postavljena uz zid.

**PAŽLJIVO PROČITAJTE I
ČUVAJTE ZA BUDUĆU UPORABU**

Kako bi se smanjila opasnost od ozljeda Instalacija i uzemljenje

OPASNOST

Opasnost od strujnog udara:

Dodirivanje nekih unutarnjih dijelova može dovesti do ozbiljnih ozljeda ili smrti.

UPOZORENJE

Opasnost od strujnog udara

Nepravilno korištenje uzemljenja može dovesti do strujnog udara. Uređaj nemojte priključivati na električno napajanje dok nije pravilno instaliran i uzemljen. Ovaj uređaj mora biti uzemljen. U slučaju kratkog spoja, uzemljenje smanjuje rizik od strujnog udara jer uzemljenje odvodi struju na drugo mjesto.

Ovaj uređaj je opremljen kablom koji ima vodič uzemljenja i utikač s uzemljenjem. Utikač mora biti priključen na utičnicu koja je ispravno instalirana i uzemljena.

Obratite se kvalificiranom električaru ili serviseru ako vam upute za uzemljenje nisu u potpunosti jasne ili ako postoji sumnja da uređaj nije ispravno uzemljen.

Ako je potrebno koristiti produžni kabel, koristite samo 3-žilni kabel.

1. Kratki kabel napajanja uređaja koristi se kako bi se smanjili rizici od zaplitanja ili spoticanja o duže kablove.
2. Ako se koriste dugi kablovi ili produžni kabel:
 - 1) Podaci i karakteristike drugog kabela ili produžnog kabela trebaju biti jednaki podacima uređaja.
 - 2) Produžni kabel mora biti 3-žilni kabel sa uzemljenjem.
 - 3) Dugi kabel mora biti postavljen na način da ne visi s police ili sa stola kako bi se izbjeglo povlačenje kabela od strane djece ili nenamjerno spoticanje.

ČIŠĆENJE

Uvijek najprije isključite uređaj sa izvora napajanja.

1. Očistite unutrašnjost mikrovalne pećnice vlažnom krpom nakon uporabe.
2. Pribor pećnice čistite na uobičajeni način u sapunici i vodi.
3. Okvir vrata, brtve i drugi dijelovi pećnice moraju se pažljivo čistiti vlažnom krpom, po potrebi kada primijetite da su zaprljani.
4. Nemojte koristiti oštra abrazivna sredstva ili oštre metalne predmete za struganje kako biste očistili staklo na vratima mikrovalne pećnice, jer oni mogu nepovratno oštetiti površinu, što može dovesti do oštećenja stakla i drugih dijelova pećnice.
5. Savjet za čišćenje: Za lakše čišćenje stjenki unutrašnjosti koje dolaze u dodir s hranom: Polovicu limuna stavite u zdjelu, dodajte 300ml (veliku čašu) vode i grijte na 100% mikrovalne snage 10 minuta. Obrišite mikrovalnu pećnicu mekom, suhom krpom.

Pribor Oprez!

Opasnost od ozljede!

Provođenje bilo kakvog servisiranja ili popravka koje uključuje uklanjanje poklopca koji štiti od izlaganja mikrovalnoj energiji predstavlja opasnost izlaganju mikrovalnom zračenju.

Pogledajte upute pod „MATERIJALI KOJE MOŽETE KORISTITI U MIKROVALNOJ PEĆNICI ILI KOJE TREBA IZBJEGAVATI MIKROVALNOJ PEĆNICI“. Postoji određeni nemetalni pribor koji nije siguran za korištenje u mikrovalnoj pećnici. Ako ste u nedoumici, dotični pribor možete testirati slijedećim postupkom:

Test za pribor:

1. Napuniti posudu koja je sigurna za korištenje u mikrovalnoj pećnici jednom šalicom hladne vode (250 ml) i zajedno stavite posudu s priborom koji želite testirati.
2. Uključite pećnicu na maksimalnu snagu na 1 minutu.
3. Pažljivo opipajte testirani pribor. Ako je topao, pribor nije prikladan za uporabu u mikrovalnoj pećnici.
4. Nemojte prekoračiti predviđenu 1 minutu grijanja.

Materijali koje možete koristiti u mikrovalnoj pećnici

Pribor	Opaske
Posuda za pečenje	Slijedite upute proizvođača. Dno posude za pečenje mora se nalaziti 5 mm iznad okretnog tanjura. Neispravna uporaba može dovesti do loma obrtnog tanura.
Stolno posuđe	Samo ono koje je sigurno za korištenje u mikrovalnoj pećnici. Slijedite upute proizvođača. Nemojte koristiti napuknuto ili okrhnuo posuđe.
Staklenke	Uvijek uklonite poklopac. Koristite samo za grijanje hrane. Većina staklenki nisu otporne na toplinu i mogu puknuti.
Stakleno posuđe	Samo stakleno posuđe koje je otporno na toplinu. Uvjerite se da nema metalnih dijelova. Nemojte koristiti napuknuto ili okrhnuo posuđe.
Vrećice za pečenje	Slijedite upute proizvođača. Ne zatvarajte vrećice metalnim vrpčama za povezivanje. Ostavite vrećicu otvorenu kako biste omogućili izlazak pare.
Papirnat tanjuri i čaše	Koristite samo za kratkotrajno kuhanje/zagrijavanje. Ne ostavljajte pećnicu bez nadzora tijekom rada.
Papirnat ubrusi	Koriste se za pokrivanje hrane kod grijanja i apsorpcije masti. Koristite ih pod nadzorom i samo za kratko kuhanje.
Pergament	Koristite ga za pokrivanje kako biste spriječili prskanje ili kao omot za kuhanje na pari.
Plastika	Samo oni pogodni za mikrovalnu pećnicu. Slijedite upute proizvođača. Treba sadržavati oznaku „Microwave safe“. Neke plastične posude omekšaju za vrijeme zagrijavanja hrane.
Plastični omot	„Vrećice za kuhanje hrane“ i čvrsto zatvorene plastične vrećice treba prerezati, probosti ili otvoriti u skladu sa uputama na pakiranju.
Termometri	Samo oni pogodni za mikrovalne pećnice (za meso i kolače).
Voštani papir	Koristite za pokrivanje kako biste spriječili prskanje i isušivanje.

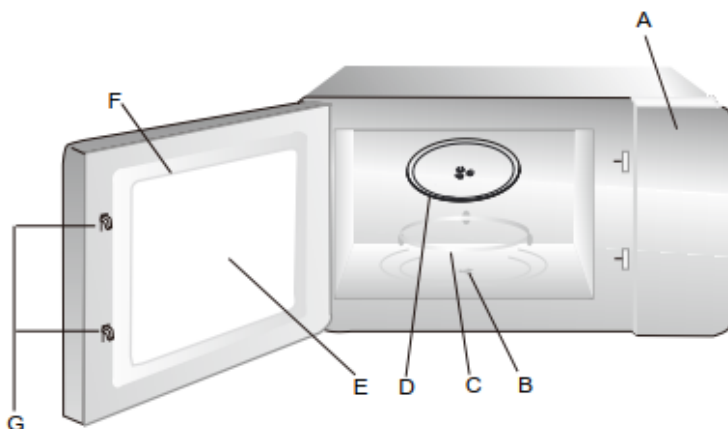
Materijali koje treba izbjegavati u mikrovalnoj pećnici

Pribor	Opaske
Aluminijski pladanj	Može izazvati iskrenje. Prebacite hranu u posudu sigurnu za korištenje u mikrovalnoj pećnici.
Karton za hranu s metalnom ručkom	Može izazvati iskrenje. Prebacite hranu u posudu sigurnu za korištenje u mikrovalnoj pećnici.
Metalni ili metalom obrubljeni pribor	Metal štiti hranu od mikrovalne energije. Metalni obrubi mogu izazvati iskrenje.
Metalne vrpce	Mogu uzrokovati iskrenje i izazvati požar u mikrovalnoj pećnici.
Plastične vrećice	Mogu izazvati požar u mikrovalnoj pećnici.
Plastična pjena	Plastična se pjena može rastopiti ili kontaminirati tekućinu kada je izložena visokim temperaturama.
Drvo	Drvo će se isušiti ako se koristi u mikrovalnoj pećnici, ali isto tako može popucati ili se deformirati.

Dijelovi i oprema

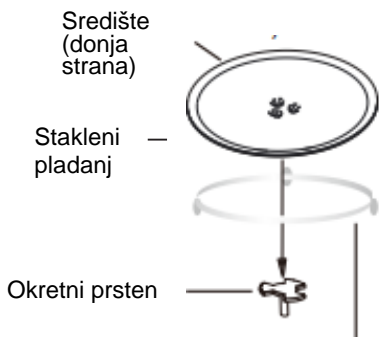
Izvadite mikrovalnu pećnicu i sve materijale iz lartona i unutrašnjosti. Mikrovalna pećnica dolazi sa sljedećom opremom:

Stakleni pladanj	1
Prsten okretne platforme	1
Upute za uporabu	1



- A) Upravljačka ploča
- B) Osovina okretne platforme
- C) Prsten okretne platforme
- D) Stakleni pladanj
- E) Prozor za promatranje
- F) Vrata
- G) Sigurnosni sustav blokade

Instalacija okretne platforme



Nastavak za osovinu
za okretanje

- A. Nikada ne postavljajte stakleni pladanj naopako. Stakleni pladanj nikada ne smije biti blokiran.
- B. Stakleni pladanj i prsten okretne platforme uvijek se moraju koristiti tijekom rada mikrovalne pećnice.
- C. Sva hrana i posude za hranu uvijek se stavljaju na stakleni pladanj.
- D. Ako stakleni pladanj ili prsten okretne platforme napuknu ili popucaju, obratite se vašem najbližem, ovlaštenom servisu.

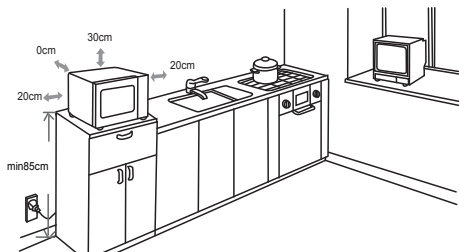
Instalacija na radnu površinu

Uklonite svu ambalažu i opremu iz uređaja. Provjerite postoji li na i unutar uređaja bilo kakvo oštećenje poput udubljenja ili neispravnih vrata. Nemojte započeti koristiti mikrovalnu pećnicu ukoliko je oštećena.

Kućište: Uklonite sve zaštitne folije i ambalažu sa kućišta i unutar mikrovalne pećnice. Nemojte skidati svijetlosmeđi karton (mica karton) koji se nalazi unutar prostora pećnice. Mica karton služi za zaštitu magnetrona!

INSTALACIJA

1. Odaberite površinu koja osigurava dovoljno slobodnog prostora za ulazne i / ili izlazne otvore.



(1) Minimalna visina instalacije je 85cm.
(2) Stražnja površina uređaja mora biti postavljena uz zid. Ostavite razmak od najmanje 30cm iznad mikrovalne pećnice. Potreban je minimalni razmak od 20 cm između pećnice i ostalih elemenata.

(3) Ne uklanjajte nožice sa dna pećnice.
(4) Blokiranje ulaznih i/ili izlaznih otvora može oštetiti mikrovalnu pećnicu.

(5) Postavite pećnicu najdalje što možete od radio i TV prijamnika. Rad mikrovalne pećnice može izazvati smetnje signala.

2. Mikrovalnu pećnicu uključite u standardnu utičnicu sa uzemljenjem u vašem kućanstvu. Osigurajte da su napon i frekvencija usklađeni s naponom i frekvencijom naznačenoj na nazivnoj pločici s tehničkim podacima.

UPOZORENJE: Mikrovalnu pećnicu nemojte instalirati iznad štednjaka ili drugog uređaja koji proizvodi toplinu. Ako ju instalirate blizu ili iznad izvora topline, mikrovalna pećnica može se oštetiti, i jamstvo ne pokriva takva oštećenja.

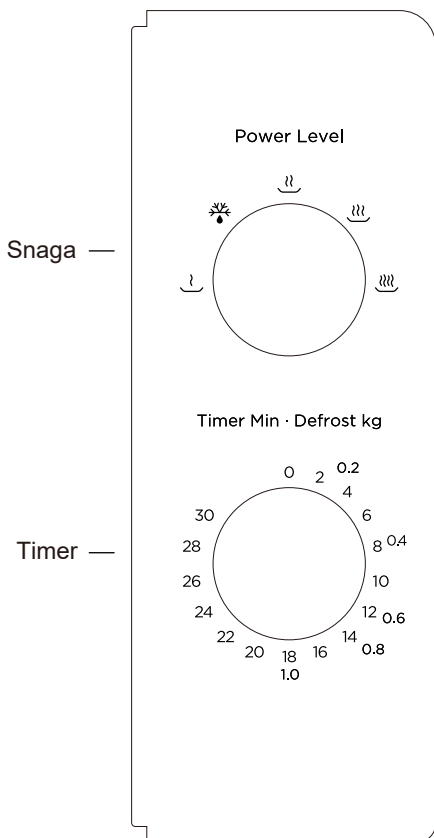
Dostupna površina može biti vruća tijekom rada.



RAD

Upravljačka ploča i značajke

Upute za rad



1. Za postavljanje snage kuhanja okretanjem gumba za snagu na željenu razinu.
2. Za postavljanje vremena kuhanja okretanjem gumba timera na željeno vrijeme prema vodiču za kuhanje hrane.
3. Mikrovalna pećnica će automatski započeti s kuhanjem nakon postavljanja razine snage i vremena.
4. Kada vrijeme kuhanja istekne, jedinica će "Dong" zaustaviti.
5. Ako se jedinica ne koristi, uvijek postavite vrijeme na "0".

Funkcija/Snaga	Izlaz	Primjena
	17% micro.	Omekšavanje sladoleda
	33% micro.	Juha, omekšavanje maslaca ili odmrzavanje
	55% micro.	Varivo, riba
	77% micro.	Riža, riba, piletina, mljeveno meso
	100% micro.	Podgrijavanje, mlijeko, kuhana voda, povrće, piće

Napomena: Kada vadite hranu iz pećnice, provjerite je li pećnica isključena okretanjem prekidača timera na 0 (nula).

Ako to ne učinite i ako koristite mikrovalnu pećnicu bez hrane u njoj, može doći do pregrijavanja i oštećenja magnetrona.

Otklanjanje problema

Normalno	
Mikrovalna pećnica ometa TV signal	Radio i TV prijam može biti ometan radom mikrovalne pećnice. To je slično ometanju malih električnih uređaja, kao što su mikser, usisivač i električni ventilator. To je normalno. Odmaknite uređaj od mikrovalne pećnice.
Prigušeno svjetlo u mikrovalnoj pećnici	Prilikom kuhanja s niskom snagom, svjetlo može postati prigušeno. To je normalno.
Para se gomila na vratima, vrući zrak izlazi iz otvora	Prilikom kuhanja para može izlaziti iz hrane. Većina će izaći kroz otvore. No, jedan će se dio akumulirati na hladnijim mjestima poput vrata mikrovalne pećnice. To je normalno.
Slučajno je uključen rad mikrovalne pećnice, bez hrane.	Zabranjeno je i opasno pokretanje uređaja bez hrane. To je vrlo opasno. Odmah isključite pećnicu!

Problem	Mogući uzrok	Rješenje
Mikrovalna pećnica se ne može pokrenuti	(1) Kabel napajanja nije ispravno priključen.	Isključite i ponovno uključite utikač nakon 10 sekundi.
	(2) Osigurač je pregorio ili "iskočio".	Zamijenite osigurač ili resetirajte sklopku (od strane profesionalnog servisera)
	(3) Poteškoće s utičnicom.	Testirajte utičnicu s drugim električnim uređajem.
Mikrovalna pećnica ne grije	(4) Vrata nisu ispravno zatvorena.	Ispravno zatvorite vrata.



Prema Direktivi za otpadnu električnu i elektroničku opremu (WEEE), otpadna električna i elektronička oprema treba zasebno da se prikuplja i prerađuje. Ako u nekom trenutku u budućnosti bude potrebno da odložite ovaj proizvod, NEMOJTE ga bacati zajedno sa kućnim otpadom. Pošaljite ovaj proizvod centru za prikupljanje otpadne električne i elektronične opreme, ukoliko isti postoji.



VOX
ELECTRONICS

BIH

MNE

Mikrotalasna rerna
UPUTSTVO ZA UPOTREBU
MWH M19

Pročitajte pažljivo ovo uputstvo za mikrotalasnu rernu prije prvog korišćenja i čuvajte ga za buduću upotrebu.

Ukoliko pratite uputstva, moći ćete dugi niz godina koristiti vašu mikrotalasnu rernu.

PAŽLJIVO ČUVAJTE OVO UPUTSTVO

PREDOSTROŽNOSTI ZA IZBJEGAVANJE MOGUĆEG PREKOMJERNOG IZLAGANJA MIKROTALASNOJ ENERGIJI

- a) Ne pokušavajte koristiti ovu rernu sa otvorenim vratima, jer to može rezultirati štetnim izlaganjem mikrotalasnoj energiji. Važno je ne lomiti ili ne rotirati sigurnosne spojeve.
- b) Ne postavljajte nikakve predmete između prednje strane rerne i vrata, ne dopuštajte nakupljanje prljavštine ili sredstava za čišćenje na površinama za dihtovanje.
- c) **UPOZORENJE:** Ukoliko su vrata ili vratni dihtunzi oštećeni, rerna ne smije da se koristi sve dok ih ne zamijeni stručna osoba.

DODATAK

Ukoliko se uređaj ne održava čistim, to može uticati na njegovu površinu i radni vijek, te dovesti do opasnih situacija.

SPECIFIKACIJE

Model:	MWH M19
Radni napon:	230-240 V~ 50 Hz
Nazivna ulazna snaga:	1020 W
Nazivna izlazna snaga:	700 W

VAŽNA SIGURNOSNA UPUTSTVA UPOZORENJE

Za smanjenje rizika od požara, strujnog udara, fizičkih povreda ili prekomjernog izlaganja mikrotalasnoj energiji prilikom upotrebe Vašeg uređaja, molimo da se pridržavate osnovnih mjera predostrožnosti, uključujući i sljedeće:

1. Pročitajte i pridržavajte se "PREDOSTROŽNOSTI ZA IZBJEGAVANJE MOGUĆEG PREKOMJERNOG IZLAGANJA MIKROTALASNOJ ENERGIJI".

2. Ovaj uređaj mogu koristiti djeca uzrasta iznad 8 godina starosti, kao i osobe sa smanjenim fizičkim, čulnim ili mentalnim sposobnostima ili nedostatkom iskustva i znanja, ako su pod nadzorom ili posjeduju instrukcije za upotrebu aparata na bezbjedan način uz razumijevanje opasnosti rukovanja. Djeca ne treba da se igraju sa aparatom. Čišćenje i održavanje ne bi trebalo da obavljaju djeca koja nisu starija od 8 godina i pod nadzorom.

3. Držite aparat i njegov kabl van domašaja djece mlađe od 8 godina.

4. Ukoliko je strujni kabl oštećen, mora ga zamijeniti proizvođač, njegov serviser ili slično kvalifikovana osoba kako bi se izbjegle povrede.

5. UPOZORENJE: Uvjerite se da je uređaj isključen prije mijenjanja sijalice kako biste izbjegli mogućnost strujnog udara.

6. UPOZORENJE: Opasno je da bilo ko osim nadležne osobe izvodi bilo kakve popravke ili popravke koje uključuju uklanjanje poklopca koji štiti od izloženosti mikrotalasnoj energiji.

7. UPOZORENJE: Tečnosti i drugu hranu ne zagrijavati u zatvorenim posudama jer su podložne eksplozijama.

8. Prilikom grijanja hrane u plastičnim ili papirnim posudama pazite na rernu zbog opasnosti od vatre.
9. Koristite samo posuđe prikladno za upotrebu u mikrotalasnim rernama.
10. U slučaju pojave dima, ugasite rernu ili je isključite iz struje, te držite zatvorena vrata rerne kako bi se spriječila pojava plamena.
11. Mikrotalasno zagrijavanje pića može dovesti do odloženog eruptivnog vrenja, te morate biti pažljivi pri rukovanju ambalažom.
12. Sadržaj flašica za hranjenje i teglica sa hranom za bebe treba promiješati ili promućkati prije upotrebe i provjeriti temperaturu samog sadržaja kako bi se izbjegle opekotine.
13. Jaja u ljusci i cela tvrdo kuvana jaja ne treba grijati u mikrotalasnim rernama, jer mogu eksplodirati, čak i nakon završetka mikrotalasnog grijanja.
14. Rernu treba redovno čistiti i uklanjati sve naslage hrane.
15. Ukoliko ne održavate rernu u čistom stanju, može doći do oštećenja njene površine što negativno utiče na radni vijek samog aparata, a i dovodi do potencijalnih opasnosti.
16. Uređaj se ne smije postavljati iza ukrasnih vrata kako bi se izbjeglo pregrijavanje. (Ovo se ne odnosi na uređaje sa ukrasnim vratima).
17. Koristite samo temperaturnu sondu koja se preporučuje za ovu rernu. (za rerne sa mogućnošću upotrebe temperaturne sonde)
18. Mikrotalasna rerna ne smije se postavljati u ormar, osim ako nije testirana u samom ormaru.
19. Mikrotalasna rerna mora da radi sa otvorenim ukrasnim vratima. (za rerne sa ukrasnim vratima)

20. Ovaj aparat je namijenjen upotrebi u domaćinstvu i sličnim objektima kao što su:

- kuhinja za osoblje, kancelarije i slična radna okruženja
- u hotelima, motelima i sličnim rezidencijalnim okruženjima
- seoskim kućama;
- prenoćištima.

21. Mikrotalasna rečna namijenjena je za zagrijavanje hrane i pića. Sušenje hrane ili odjeće i zagrijavanje podmetača, papuča, sunđera, vlažnih krpa i slično može dovesti do opasnosti od povreda, paljenja ili požara.

22. Metalne posude za hranu i piće ne smiju se upotrebljavati pri mikrotalasnom kvanju.

23. Uređaj se ne smije čistiti parnim čistačem.

24. Uređaj se koristi kao samostalni aparat.

25. Zadnja strana uređaja treba da bude okrenuta ka zidu.

**PROČITAJTE PAŽLJIVO I ČUVAJTE
ZA BUDUĆU UPOTREBU**

Radi smanjenja rizika od tjelesnih povreda Instalacija uzemljenja

OPASNOST

od električnog udara

Dodirivanje nekih unutrašnjih komponenti može da izazove teške tjelesne povrede ili smrt.

UPOZORENJE

Opasnost od strujnog udara

Nepravilna upotreba uzemljenja može da dovede do strujnog udara. Ne priključujte aparat u strujnu utičnicu dok se aparat pravilno ne postavi i uzemlji. Ovaj aparat mora imati uzemljenje. U slučaju kratkog spoja električnog kola, uzemljenje smanjuje rizik od strujnog udara jer pruža mogućnost odvođenja struje na drugo mjesto.

Ovaj aparat ima kabl sa provodnikom za uzemljenje i odgovarajućim utikačem. Utikač smije da se priključi samo u utičnicu koja je pravilno postavljena i uzemljena.

Obratite se kvalifikovanom električaru ili serviseru ako ne razumijete potpuno uputstva za uzemljenje ili ako niste sigurni da li je aparat pravilno uzemljen. Ako je neophodno koristiti produžni kabl, koristite isključivo onaj koji ima 3 provodnika.

1. Aparat ima kratak strujni kabl radi smanjenja rizika od zapetljavanja ili spoticanja o duži kabl.

2. Ako se koristi duži produžni kabl:

1) Podržana jačina struje naznačena na odvojivom kablju ili produžnom kablju treba da bude bar ista kao jačina struje naznačena na aparatu.

2) Produžni kabl mora da bude 3-žilni i da ima uzemljenje.

3) Ako je kabl dugačak, treba ga sprovesti tako da ne pada preko kuhinjskog elementa ili stola s prednje strane, da ne može da ga povuče dijete ili da se neko o njega slučajno saplete.

ČIŠĆENJE

Obavezno isključite aparat iz strujne utičnice.

1. Nakon upotrebe, blago navlaženom krpom očistite unutrašnjost rerne.

2. Očistite dodatke na uobičajen način sapunjavom vodom

3. Okvir i zaptivka vrata i okolni dijelovi moraju se pažljivo očistiti navlaženom krpom kada se isprljaju.

4. Staklo na vratima rerne ne čistite abrazivnim sredstvima za čišćenje i ne grebite ih oštrim metalnim predmetima jer možete da izgrebete površinu, što može dovesti do lomljenja stakla.

5. Savjet za čišćenje - Radi lakšeg čišćenja zidova unutrašnjosti sa kojom hrana može dospjeti u kontakt: Stavite pola limuna u posudu, sipajte 300 ml vode i zagrijavajte na 100% snage mikrotalasne rerne u trajanju od 10 minuta.

Prebrišite rernu suvom, mekom krpom tako da bude potpuno čista.

Kuhinjski pribor

Oprez!

Opasnost od tjelesne povrede

Opasno je da bilo ko, osim kompetentnog lica, servisira ili popravlja ovaj aparat, jer to obuhvata skidanje poklopca koji štiti od izlaganja mikrotalasnoj energiji.

Pogledajte uputstva o „MATERIJALIMA KOJE MOŽETE KORISTITI U MIKROTALASNOJ RERNI ILI KOJE NE SMIJETE KORISTITI U MIKROTALASNOJ RERNI“.

Postoji određeni kuhinjski pribor koji nije izrađen od metala, a koji ipak nije bezbjedan za upotrebu u mikrotalasnoj pećnici. Ako niste sigurni, možete testirati sporni kuhinjski pribor na način opisan ispod.

Testiranje kuhinjskog pribora:

1. U posudu pogodnu za upotrebu u mikrotalasnoj pećnici sipajte 1 šolju hladne vode (250 ml) i stavite u nju sporni kuhinjski pribor.
 2. Uključite aparat na maksimalnu snagu na 1 minut.
 3. Pažljivo opipajte komad pribora koji testirate.
- Ako je pribor mlak, ne koristite ga u mikrotalasnoj rerni.
4. Ne zagrijavajte ga duže od 1 minute.

Materijali koje možete koristiti u mikrotalasnoj rerni

Kuhinjski pribor	Napomene
Posuda za pečenje	Poštujte uputstva proizvođača. Dno posude za zapećanje mora da bude bar 5 mm iznad obrtnog tanjira. Nepravilna upotreba može da dovede do loma obrtnog tanjira
Servis za ručavanje	Samo oni pogodni za mikrotalasnu pećnicu. Poštujte uputstva proizvođača. Ne koristite naprsle ili okrnjene sudove.
Staklene tegle	Uvijek skinite poklopac. Koristite ih isključivo za podgrijavanje hrane. Većina staklenih tegli nije vatrostalna i može da prsne.
Stakleno posuđe	Koristite isključivo vatrostalno stakleno posuđe. Vodite računa da nema metalnog oboda. Ne koristiti naprsle ili okrnjene sudove.
Kese za pripremu u rerni	Poštujte uputstva proizvođača. Ne zatvarajte ih metalnim zatvaračem. Zasijećite ih da bi para mogla izlaziti.
Papirni tanjiri i čaše	Koristite ih isključivo za brzu pripremu/zagrijavanje. Ne ostavljajte pećnicu bez nadzora dok radi
Papirni ubrusi	Njima pokrivate hranu koju podgrijavate i ako želite da upija masnoću. Koristite ih uz nadzor i samo za brzo zagrijavanje.
Papir za pečenje	Njime pokrivate hranu da ne bi prskala ili u njega umotajte namirnice ako ne želite da se isuše
Plastika	Samo oni pogodni za mikrotalasnu pećnicu. Poštujte uputstva proizvođača. Treba da nosi oznaku „Pogodno za mikrotalasnu“. Neke plastične posude omekšaju kada hrana u njima postane vruća.
Prijanjajuća folija	„Kese za kuvanje hrane“ i dobro zatvorene plastične kese treba da se zasićuju, probuše ili otvore, kao što je naznačeno na ambalaži.
Termometri	Samo oni pogodni za mikrotalasne pećnice (namijenjeni za meso i kolače).
Voštani papir	Koristite ga za pokrivanje da biste spriječili prskanje i isušivanje.

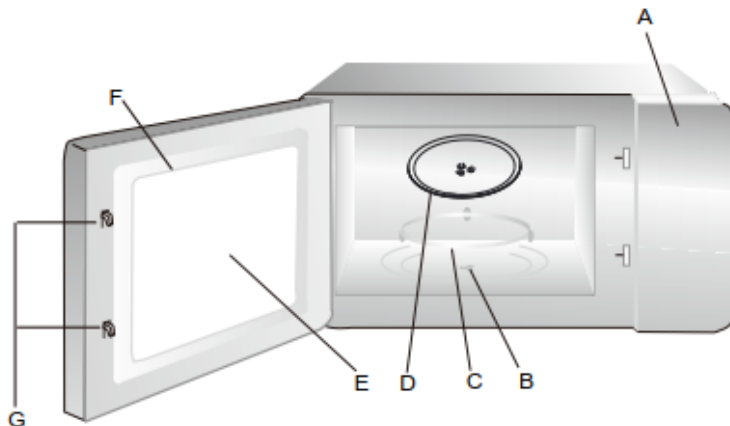
Materijali koje treba izbjegavati u mikrotalasnoj rerni

Kuhinjski pribor	Napomene
Aluminijumska tacna	Može dovesti do nastanka električnog luka. Prenesite hranu u posudu pogodnu za mikrotalasnu rernu .
Kartonska ambalaža s metalnom drškom	Može dovesti do nastanka električnog luka. Prenesite hranu u posudu pogodnu za mikrotalasnu rernu.
Metal ili kuhinjski pribor s metalnom oplatom	Metal štiti hranu od mikrotalasne energije. Metalna oplata može dovesti do nastanka električnog luka.
Metalni uvijači	Mogu da dovedu do nastanka električnog luka i plamena u rerni.
Plastične kese	Mogu da izazovu plamen u rerni.
Plastična pena	Plastična pjena može da se istopi ili kontaminira tečnost kada dospe u kontakt sa njom.
Drvo	Drvo se isušuje pri zagrijavanju u mikrotalasnoj pećnici i može da pukne ili naprsne.

Dijelovi i dodaci

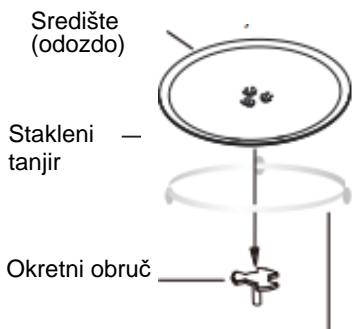
Izvadite remu i sav materijal iz kutije i unutrašnjosti rerne. Rerna se isporučuje sa sljedećim dodacima:

Stakleni tanjir	1
Okretni obruč	1
Uputstvo za upotrebu	1



- A) Kontrolna ploča
- B) Osovina za okretanje
- C) Okretni obruč
- D) Stakleni tanjir
- E) Prozor za posmatranje
- F) Vrata
- G) Sistem za sigurnosno zatvaranje

Postavljanje okretnog obruča



Osovina za okretanje

- a. Nikad ne postavljajte stakleni tanjir naopako. Stakleni tanjir ne smije da bude blokiran.
- b. Tokom kuvanja uvijek se moraju koristiti i stakleni tanjir i okretni obruč.
- c. Sva hrana i posude moraju tokom kuvanja biti postavljeni na stakleni tanjir.
- d. Ukoliko stakleni tanjir i okretni obruč naprsnu ili se slome, kontaktirajte najbliži ovlašćeni servisni centar.

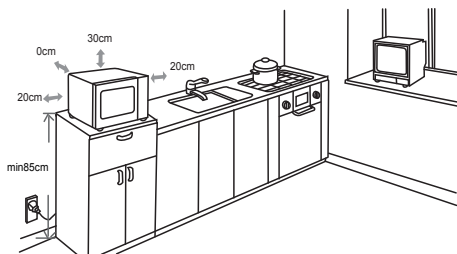
Instalacija na radnu površinu

Uklonite sav ambalažni materijal i dodatke. Provjerite ima li oštećenja na rerni, poput ogrebotina ili oštećenih vrata. Ne instalirajte rernu ukoliko je oštećena.

Kućište: Uklonite zaštitnu foliju sa površine kućišta mikrotalasne rerne. Ne uklanjajte svjetlo smeđu Mica navlaku koja je pričvršćena za unutrašnjost rerne, a služi za zaštitu magnetrona.

INSTALACIJA

1. Izaberite ravnu površinu koja pruža dovoljno otvorenog prostora za ulazne i / ili izlazne otvore.



- (1) Minimalna visina ugradnje je 85cm.
- (2) Zadnja površina uređaja mora biti postavljena uz zid. Ostavite minimalni razmak od 30cm iznad rerne, a potreban je minimalni razmak od 20 cm između rerne i okolnih zidova.
- (3) Ne uklanjajte nožice sa dna rerne.
- (4) Blokiranje ulaza i/ili izlaza za (1) vazduh može da ošteti rernu.
- (5) Postavite rernu što je dalje moguće od radija i tv prijemnika. Rad mikrotalasne rerne može izazvati smetnje u vašem radijskom ili televizijskom prijemu.

2. Uključite rernu u standardnu kućnu strujnu utičnicu. Napon i frekvencija treba da odgovaraju radnom naponu rerne, navedenom na pločici s tehničkim podacima.

UPOZORENJE: Ne postavljajte rernu iznad šporeta ili drugih toplinskih uređaja. Ukoliko se instalira u blizini ili iznad izvora toplote, rerna bi se mogla oštetiti, i na taj način bi se mogla poništiti garancija za ovaj uređaj.

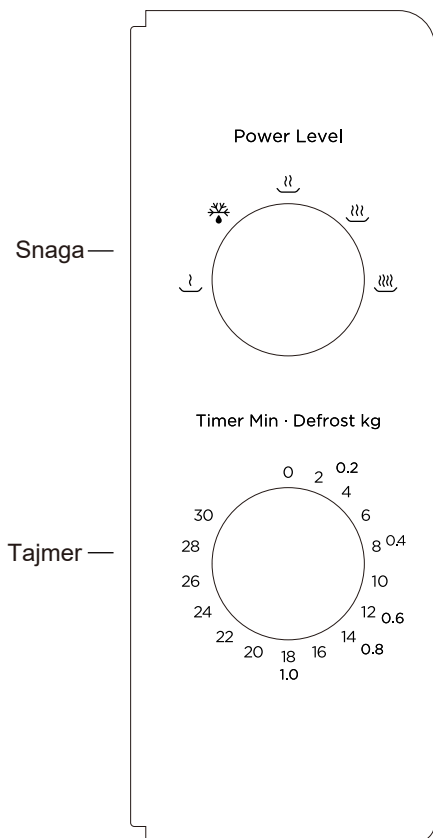
Dostupna površina može biti vruća tokom rada.



RUKOVANJE

Kontrolna tabla i karakteristike

Uputstvo za upotrebu



1. Okrenite dugme Power na željeni nivo kako biste podesili snagu kuvanja.
2. Okrenite dugme Timer na željeni nivo kako biste podesili vrijeme kuvanja hrane u skladu sa uputstvom za pripremu hrane.
3. Nakon podešavanja snage i vremena, mikrotalasna rena automatski započinje kuvanje.
4. Kada vrijeme kuvanja istekne, čuje se zvučni signal i uređaj prestaje sa radom.
5. Kada ne koristite uređaj, dugme Timer mora uvijek biti postavljeno na "0".

Funkcija/Snaga	Izlazna	Primjena
	17% micro.	Omekšavanje sladoleda
	33% micro.	Supe, čorbe, omekšavanje putera ili odmrzavanje
	55% micro.	Čorbe, riba
	77% micro.	Pirinač, riba, piletina, mljeveno meso
	100% micro.	Zagrijavanje, mlijeko, prokuvavanje vode, povrća, bezalkoholni napici

Napomena: Prilikom vađenja hrane iz rerne, proverite da li je napajanje rerne isključeno okretanjem prekidača tajmera na 0 (nula).

Ako to ne učinite i koristite mikrovalnu rernu bez hrane u njoj, može doći do pregrijavanja i oštećenja magnetrona.

Rješavanje problema

Normalno	
Mikrotalasna rerna ometa prijem TV signala	Može doći do ometanja prijema radio i TV signala dok radi mikrotalasna rerna. Slično ometanje se javlja i kod drugih malih električnih aparata, poput miksera, usisivača i ventilatora. To je normalna pojava.
Slabo svjetlo u rerni	Pri mikrotalasnoj obradi hrane uz nisku snagu, svjetlo u rerni može slabo sijati. To je normalna pojava.
Para se skuplja na vratima, vrela vazduh izlazi kroz ventilacione otvore.	Prilikom obrade hrane iz nje može izlaziti para. Većina pare izlazi kroz ventilacione otvore, ali određena količina može da se skuplja na hladnom mjestu, poput vrata rerne. To je normalna pojava.
Rerna je slučajno pokrenuta dok u njoj nije bilo hrane.	Zabranjeno je uključivati rernu kada u njoj nema hrane. To je veoma opasno.

Problem	Mogući uzrok	Rješenje
Rerna ne može da se pokrene.	(1) Strujni kabl nije dobro priključen.	Isključite ga iz utičnice. Zatim ga ponovo priključite posle 10 sekundi.
	(2) Osigurač je pregorio ili iskočio.	Zamijenite, odnosno uključite osigurač (može ga popraviti stručno lice koje je ovlastila naša kompanija)
	(3) Problem sa utičnicom.	Isprobajte utičnicu na nekom drugom električnom aparatu.
Rerna ne greje.	(4) Vrata nisu dobro zatvorena.	Pravilno zatvorite vrata.



Prema Direktivi za otpadnu električnu i elektronsku opremu (WEEE), otpadna električna i elektronska oprema treba zasebno da se prikuplja i prerađuje. Ako u nekom trenutku u budućnosti bude potrebno da odložite ovaj proizvod, **NEMOJTE** ga bacati zajedno sa kućnim otpadom. Pošaljite ovaj proizvod centru za prikupljanje otpadne električne i elektronske opreme, ukoliko isti postoji.



VOX
ELECTRONICS

MKD

Микробранова печка
УПАТСТВО ЗА УПОТРЕБА
MWH M19

Внимателно прочитајте го упатството пред користење на Вашата микробранова печка, и внимателно чувајте го.

Ако го следите ова упатството, вашата микробранова печка ќе ве служи добро многу години.

ВНИМАТЕЛНО ЧУВАЈТЕ ГО ОВА УПАТСТВО

МОЖНО ПРЕКУМЕРЕНО ИСПУШТАЊЕ НА МИКРОБРАНОВИ ЗРАЦИ

(а) Не се обидувајте да ја користите оваа микробранова печка со отворена вратничка бидејќи тоа може да резултира со испуштање на штетни микробранови зраци. Важно е да не ги кршите или ротирате безбедносните спојки

(б) Не поставувајте никакви предмети помеѓу предната страна на рерната и вратничката, не дозволувајте насобирање на нечистотија или средства за чистење на површината за затворање.

(в) Предупредување: Доколку вратничката или дихтонзите на вратничката се оштетени, микробрановата печка не смее да се користи додека не бидат сменети од стручно лице.

ДОДАТОК

Доколку уредот не се одржува чист, тоа може да влијае на неговата површина работниот век, па да доведе до опасни ситуации.

СПЕЦИФИКАЦИИ

Модел:	MWH M19
Напон за работа:	230-240 V~ 50 Hz
Номинална влезна моќност:	1020 W
Номинална излезна моќност:	700 W

ВАЖНИ ИНФОРМАЦИИ ЗА БЕЗБЕДНОСТ ПРЕДУПРЕДУВАЊЕ

За намалување на ризикот од пожар, удар од струја, физички повреди или прекумерно испуштање на микробранова енергија при употреба на Вашиот уред Ве молиме да се придржувате кон основните мерки за претпазливост, вклучувајќи го и следново.

1. Прочитајте и придржувајте се кон “ МЕРКИ ЗА ПРЕТПАЗЛИВОСТ ЗА ИЗБЕГНУВАЊЕ НА МОЖНО ПРЕКУМЕТНО ИСПУШТАЊЕ НА МИКРОБРАНОВИ ЗРАЦИ.

2. Овај уред можат да го користат деца над 8 години старост, како и лица со намалени физички, аудитивни и ментални способности или со недостаток на искуство и знаење,ако се под надзор или поседуваат инструкции за употреба на апаратот на безбеден начин или ако се запознати со опасностите од ракувањето. Чистење и одржување не би требало да обавуваат деца кои не се постари од 8 години и под надзор.

3. Не го држете апаратот и неговиот кабел на дофат од деца помлади од 8 години.

4. Доколку се оштети струјниот кабел, треба да го замени производителот, овластен сервис или слични квалификувани лица за да ги избегнете можните опасности.

5. ПРЕДУПРЕДУВАЊЕ: Уверете се дека уредот е исклучен пред да ја менувате ламбата како би ја избегнале можноста за електричен удар.

6. ПРЕДУПРЕДУВАЊЕ: Опасно е за кого било освен за квалификувано лице да спроведе сервисирање или поправка која вклучува отстранување на капакот кој нуди заштита од изложување на микробрановата енергија.
7. ПРЕДУПРЕДУВАЊЕ: Течностите и храната не смеат да се загреваат во затворени садови бидејќи можат да експлодираат.
8. При загревање на храната во пластични и хартиени садови, внимавајте на рерната поради можност од запаливост.
9. Користете само садови кои се погодни за употреба во микробранови рерни.
10. Доколку забележите чад, угасете го или исклучете го уредот од струја и држете ја затворена вратата од рерната како би се угасил огнот.
11. Греењето на напитоците во микробрановата печка може да резултира со закаснето еруптивно вриење, затоа треба да се внимава со ракувањето со садовите во кои се наога течноста.
12. За да се избегнат изгореници, содржината на детските шишиња и теглите со детска храна треба да се промешаат или протресат пред хранење, притоа и да им се провери температурата.
13. Јајца во лушпа и тврдо варени јајца не треба да се загреваат во микробранова печка, бидејќи може да експлодираат, дури и по завршување на загревањето во печката.
14. Рерната мора редовно да се чисти и да се одстрануваат талозите од храна.
15. Неодржувањето на печката чиста, може да доведе до пропагање на нејзините површини, што пак може да го скрати векот на траење на уредот и да резултира со опасни ситуации.

16. Уредот не смее да се поставува зад декоративна врата како би се избегнало прегревање (Ова не се применува за уредите со украсна врата).

17. Користете ја само сондата за температура која се препорачува за оваа печка(за печки снабдени со инсталација за користење на сонди за проверка на температура).

18. Микробрановата печка не смее да се вградува во кујнските елементи освен ако била тестирана за вградени елементи.

19. При работењето, декоративната врата мора да остане отворена (за печки со декоративни врати).

20. Овој апарат е наменет за употреба во домаќинства и слични објекти како што се:

- Кујна, канцеларија и слични работни простории
- во хотели, мотели и слични резиденции
- селски куќи,
- пренокишта.

21. Микробрановата рерна е наменета за загревање храна и пијалоци. Сушење на храна или облека или загревање на влажни ткаенини, обувки, сунгери, крпи и слични предмети може да доведе до повреди, запалување или пожар.

22. Во текот на готвењето во микробрановата рерна не е дозволена употреба на метални садови за храна и пијалоци.

23. Уредот не треба да се чисти со чистач на параа.

24. Уредот треба да стои самостојно, неприпиен до други уреди.

25. Задната страна би требало да биде завртена кон сидот.

**ВНИМАТЕЛНО ПРОЧИТАЈТЕ ГО УПАТСТВОТО
И ВНИМАТЕЛНО ЧУВАЈТЕ ГО.**

За намалување на ризикот од физички повреди при уземјување.

ОПАСНОСТ

Опаснот од струен удар.

Допирањето на некои интерни компоненти може да предизвика сериозни лични повреди или смрт. Не расклопувајте го овој апарат.

ПРЕДУПРЕДУВАЊЕ

Опасност од струен удар

Неисправното уземјување може да доведе до струен удар. Не вклучувајте го уредот во штекер за струја додека исправно не го инсталирате и уземјите. Овој уред мора да биде уземјен. Во случај на краток струен спој уземјувањето ја намалува опасноста од струен удар со излезни жици за електрична струја.

Овој уред е опремен со уземјен струен кабел и приклучок со контакт за уземјување. Приклучокот треба да се вклучи во исправно инсталиран и уземјен штекер.

Консултирајте се со квалификуван електричар или сервисер доколку целосно не ги разбирате упатствата за уземјување или доколку не сте сигурни дали уредот е исправно уземјен.

Доколку морате да користите продолжен кабел, користете само продолжен кабел со три приклучока.

1. Струјниот кабел е краток за да се намалат ризиците од сплеткување по должината на струјниот кабел.

2. Доколку се користи подолг струен кабел или продолжен кабел:

1) Номиналната мок на струјниот кабел или продолжниот кабел мора да биде еднаков или поголем од номиналната мок на уредот.

2) Продолжниот кабел мора да биде од уземјен тип.

3) Подолгиот струен кабел треба да се намести така што нема да виси преку работ на работните површини или маси каде би можело децата да го повлечат или случајно да се сопнат.

ЧИСТЕЊЕ

Задолжително исклучете ја печката од струјниот штекер.

1. После употребата, внатрешноста на печката исчистете ја лесно со влажна крпа.

2. Додатоците исчистете ги на вообичаен начин во вода со сапун.

3. Кога се валкани, рамката на вратата, отворот и соседните делови треба внимателно да се исчистат со влажна крпа.

4. Не користете јаки абразивни сретства за чистење или остри метални струготини за чистење на стаклото од вратата на печката, бидејќи може да се изгребе површината, што може да резултира со кршење на стаклото.

5. Совет за чистење - За лесно чистење на внатрешноста на печката од мрсна храна, ставите пола лимон во чинија, додадете 300мл вода. Избришете ја печката со мека, сува крпа.

САДОВИ ПРЕДПАЗЛИВОСТ

Опасност од повреда

Сервисирањето или поправањето на печката вклучувајќи го и тргањето на капакот кој штити од микробранова енергија, е опасно за секого освен за стручно лице.

Погледнете го упатството за “ Материјали кои можат да се користат во микробрановата печка или кои би требало да се избегнуваат ”. Постојат одредени неметални садови кои не се безбедни за употреба во микробрановата печка. Доколку постои сомнеж, тие садови можете да ги тестирате на подолу опишаниот начин.

Тест за садови:

1. Наполнете го садот кој го тестирате за употреба во микробранова печка со 1 шолја ладна вода(250мл).
2. Зоврете ја на максимална мок една минута.
3. Внимателно допрете го садот. Доколку празниот сад е топол, не го користите за топлење во микробрановата печка.
4. Не ја прескокнувајте минутата за зовирање на водата.

Материјали сигурни за употреба во микробранова печка

Материјал	Напомена
Садови за печење	Придржувајте се на упатствата на производителот. Дното на садот мора да биде минимум 5мм над чинијата која се врти. Неисправна употреба може да предизвика пукање на чинијата.
Сервис за јадење	Само оние кои се погодни за употреба во микробранови печки. Придржувајте се на упатствата на производителот. Не користите напукнати или оштетени садови.
Тегли	Секогаш тргајте го капакот. Не користете ги за греење се додека храната не биде претопла. Повеќето од теглите не се отпорни на топлина и можат да лукнат.
Стаклени садови	Користете само садови со огноотпорно стакло. На садовите не смее да има метални рабови. Не користите напукнати или оштетени садови.
Кеси за готвење	Придржувајте се на упатствата на производителот. Не затворајте со метална врвка. Направете отвор за да излегува пареата.
Хартиени чинии и чаши	Користете ги само за краткотрајно готвење/греење. Не оставајте без надзор во текот на процесот.
Хартиени салфетки	Користете ги за покривање на храна за подгревање и упивање на мрснотијата. Држете ги под надзор само за краткотрајно греење.
Хартија за колачи	Користете ја како капак за да спречите прскање или пак користете ја како обвивка за парење на колачите.
Пластика	Посебно погодна за употреба во микробранова печка. Придржувајте се на упатствата на производителот. Би требало да биде обележана со "Microwave Safe". Некои пластични садови омекнуваат кога во нив се загрева храната.
Кеси за готвење	Би требало да се избушат или подотворот, како што е назначено на амбалажата.
Термометри	Исклучително погодни за употреба во микробранови печки(за месо и колачи)
Мрсна хартија	Користете ја за да ја покриете храната, за да спречите прскање и за да ја зачувате влажноста.

Материјали непогодни за употреба во микробранова печка

Материјали	Напомена
Алуминијумска чинија	Може да предизвика пламен. Префрлете ја храната во сад погоден за микробранови печки.
Садови со метални рачки	Може да предизвика пламен. Префрлете ја храната во сад погоден за микробранови печки.
Метални или метално изработени садови	Металот ја заштитува храната од микробранова енергија. Металните рабови можат да предизвикаат искри.
Метални врвки	Можат да предизвикаат искра и оган во внатрешноста на печката
Хартиени кеси	Можат да предизвикаат оган во печката
Пластична пена	Пластичната пена може да се стопи или да ја контаминира внатрешноста на печката кога е изложена на висока температура.
Дрво	Дрвото при употребата во микробрановата печка ќе се исуши, а може и да се расцепи или да напукне.

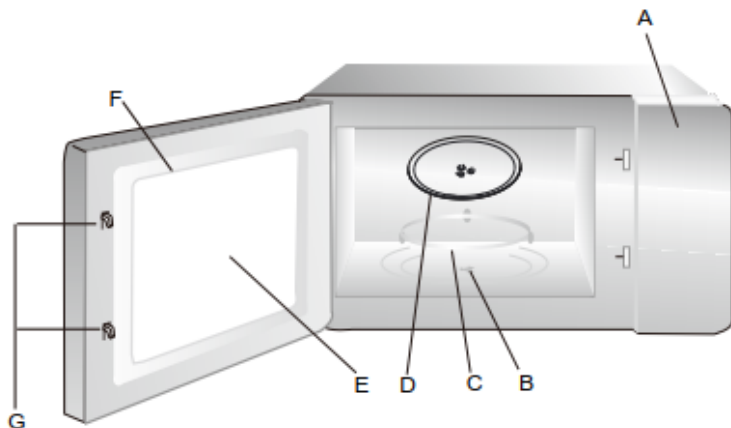
Називи на деловите на рерната и додатоките

Тргнете ги сите додатоци од амбалажата и внатрешноста на рерната : Со вашата рерна се приложени следните додатоци:

Стаклена чинија 1

Подвижна чинија 1

Упатство за користење 1



- A) контролна плоча
- B) Осовина за вртење
- C) Обрач со тркалца
- D) Стаклена чинија
- E) Прозор за надгледување
- F) Врата
- G) Систем на сигурносно затварање

Поставување на осовина за вртење

Средна (долна)
страна

Стаклена —
чинија

Осовина



Обрач со тркалца

- a. Никогаш не поставувајте ја стаклената чинија наопаку. Ништо не смее да ја блокира стаклената чинија.
- b. Стаклената чинија и обрачот со тркалца секогаш мора да се користат три готвењето.
- c. При готвењето, целата храна и садови треба да се стават на стаклената чинија.
- d. Доколку стаклената чинија или обрачот напукнат или се скршат, контактирајте го најблискиот овластен сервисен центар.

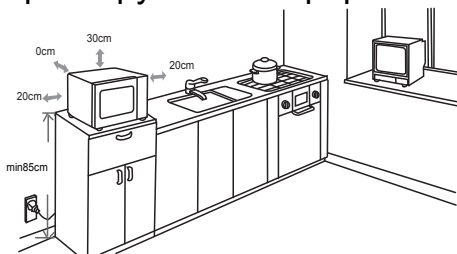
Инсталација на работната површина

Извадете го целиот амбалажен материјал и додатоци. Проверете дали има оштетувања на рерната, од типот на гребнатини или оштетена врата. Не ја инсталирајте печката доколку е оштетена.

Кукиште: Извадете ја заштитната фолија од површината на кукиштето на микробрановата рерна. Не го отстранувајте светлокафеастиот капак кој е прицврстен за внатрешноста на рерната, а кој служи за заштита на магнетронот.

ИНСТАЛАЦИЈА

1. Изберете рамна површина со доволно слободен простор за проветрување на рерната.



- (1) Минимална висина за вградување е 85cm.
- (2) Уредот се поставува со задната страна до ѕид. Над рерната оставете минимум 30cm слободен простор, а потребно е најмалку 20cm помеѓу рерната и соседните ѕидови.
- (3) Не ги тргајте ножиците од дното на рерната.
- (4) Блокирање на влезот и/ или излезот за воздух може да ја оштети рерната.
- (5) Поставете ја рерната што подалеку од радио и ТВ приемници. Работата на рерната може да предизвика пречки во радискиот и телевизискиот прием.

2. Вклучете ја рерната во стандарден куќен струен штекер. Напонот и фреквенцијата треба да одговараат на напонот и фреквенцијата на рерната, наведени на етикетата со технички податоци.

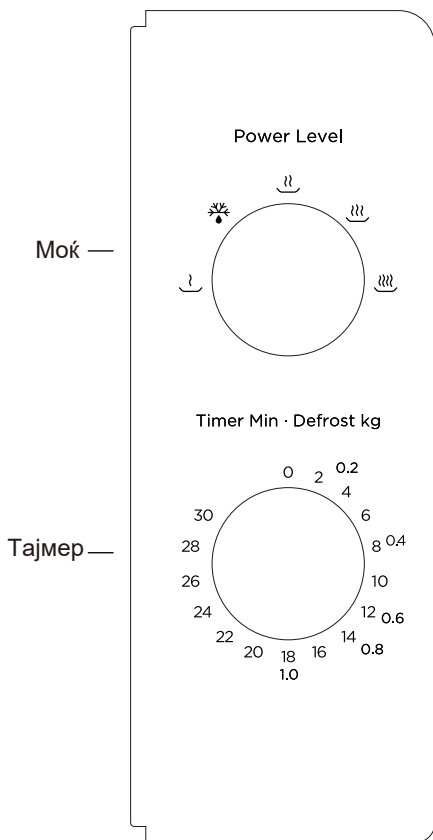
ПРЕДУПРЕДУВАЊЕ: Не ја поставувајте рерната над шпорет или други топлински уреди. Доколку се инсталира во близина или над извори на топлина, рерната може да се оштети, со што се поништува гаранцијата што след и за овој производ.

Пристапните површини на уредот можат да бидат жешки за време на работа на уредот.



РАКУВАЊЕ

Контролен панел и карактеристики Инструкции за работа



1. За да ја поставите моќта за готвење со вртење на копчето за напојување на саканото ниво.
2. За да го поставите времето на готвење со вртење на копчето на тајмерот до саканото време според вашиот водич за готвење храна.
3. Микробрановата печка автоматски ќе започне со готвење откако ќе се постават нивото на јачината и времето.
4. Кога ќе истече времето за готвење, уредот ќе „Донг“ да престане.
5. Ако уредот не се користи, секогаш поставете го времето на „0“.

Функција/Моќност	Излез	Примена
	17% micro.	Омекнување на салдолед
	33% micro.	Супа, омекнување путер или одмрзнување
	55% micro.	Чорба, риба
	77% micro.	Ориз, риба, пилешко, мелено месо
	100% micro.	Загревање, млеко, зовриена вода, зеленчук, пијалок

Забелешка: Кога ја вадите храната од рерната, проверете дали напојувањето на рерната е исклучено со вртење на прекинувачот за тајмер на 0 (нула).

Ако не го сторите тоа, и ако ја користите микробрановата печка без храна во неа, може да дојде до прегревање и оштетување на магнетронот.

Решавање проблеми

Нормално	
Микробрановата рерна го попречува ТВ пријемот.	При работата на микробрановата рерна можно е попречување на радио и ТВ приемот. Тоа е слично со интерференцијата на малите кукни апарати од типот на миксер, правосмукалка или фен за коса. Тоа е нормално.
Пригушено светло во рерната	При готвење со ниска микробранова сила, светлото на рерната може да стане пригушено. Тоа е нормално.
На вратата се кондензира влага, врел воздух излегува од отворот	Во текот на готвењето од храната може да излегува пара. Поголемиот дел ќе излезе од вентилацискиот отвор, но дел може да се кондензира на поладните места како вратата на рерната. Тоа е нормално.
Рерната е случајно вклучена без храна во неа.	Забрането е користењето на празна рерна, без храна во неа. Тоа е многу опасно.

Проблем	Можна причина	Решение
Рерната не може да се вклучи	1) Струјниот кабел не е исправно вклучен.	Исклучете го кабелот, па по 10 секунди повторно вклучете го.
	2) Неисправен осигурувач или прекинувач.	Заменете го осигурувачот или прекинувачот (услугата ја врши стручен персонал од нашата компанија)
	3) Проблем со штекерот.	Тестирајте го штекерот на друг електричен уред.
Рерната не се загрева	4) Вратата не е добро затворена.	Добро затворете ја вратата.



Според одредбите за одложување на електрична и електронска опрема, таквата опрема треба посебно да се собира и обработува. Доколку во некој момент треба да го фрлите овој уред, Ве замолуваме да не го фрлате во губре заедно со останатиот кукен отпад, туку во однапред одредено соодветно место за тоа. Доколку е можно, Ве замолуваме да го испратите овој уред во некој од центрите за собирање на електрична и електронска опрема.



VOX
ELECTRONICS

ALB

Furra mikrovalore
MANUALE I PERDORUESIT
MWH M19

Lexoni me kujdes këtë udhëzim për furrë mikrovalore para përdorimit të parë dhe ruane për përdorim në të ardhmen.

Nëse ndiqni udhëzimet, mund ta përdorni furrën tuaj mikrovalore për shumë vite.

LEXONI KËTË UDHËZIM ME KUJDES

MASAT PËR PARANDALIMIN E EKSPONIMIT TË TEPËRT NDAJ ENERGJISË MIKROVALORE

- a) Mos provoni të përdorni këtë furrë me derë të hapur sepse mund të rezultojë në ekspozim të dëmshëm të energjisë mikrovalore. Është me rëndësi që të mos thyhen ose mos të rrotullohen lidhjet e sigurisë.
- b) Mos vendosni gjësende në mes të anës së përparme të furrës dhe dyerve, mos lejoni grumbullimin e ndyrësirave ose mjeteve për pastrim në sipërfaqet mbyllëse.
- c) VËREJTJE: Nëse dera ose dihtungu i derës janë të dëmtuara, furra nuk guxon të përdoret deri sa ta ndërrojë personi i autorizuar.

SHTOJCA

Papastërtia e pajisjes mund të ndikojë në dëmtimin e sipërfaqes dhe kohëzgjatjen e punës dhe mund të shkaktojë situata të rrezikshme.

SPECIFIKACIONET

Modeli:	MWH M19
Energjia:	230-240 V~ 50 Hz
Fuqia nominale hyrëse	1020 W
Fuqia nominale dalëse:	700 W

UDHËZIME TË RËNDËSISHME TË SIGURISË

Për zvogëlimin e rrezikut nga zjarri, goditja elektrike, dëmtimet fizike ose ekspozimi i tepërt ndaj energjisë mikrovalore gjatë përdorimit të pajisjes, ju lutemi që t'i përmbaheni masave themelore të sigurisë, duke përfshirë si në vazhdim:

1. Lexoni dhe përmbajuni MASAVE TË SIGURISË PËR PARANDALIMIN E EKSPONIMIT TË TEPËRT NDAJ ENERGJISË MIKROVALORE".

2. Këtë pajisje mund ta përdorin fëmijët më të moshuar se 8 vjeç, si dhe personat me aftësi të zvogëluara fizike, shqisore ose mendore ose me mungesë të përvojës dhe njohurive, nëse janë nën mbikëqyrje ose nëse posedojnë instruksione për përdorimin e aparatit në mënyrë të sigurtë dhe nëse kuptojnë rreziqet rreth përdorimit. Fëmijët nuk duhet të luajnë me aparat. Pastrimin dhe mirëmbajtjen nuk duhet ta bëjnë fëmijët e moshës nën 8 vjeç dhe nëse nuk kanë mbikëqyrje.

3. Mbani aparatin dhe kabllin e tij largë nga fëmijët më të vegjël se 8 vjeç.

4. Nëse kabli i rrymës është i dëmtuar, atë duhet ta ndërrojë prodhuesi, servisi ose personi me kualifikim të duhur për të parandaluar lëndimet.

5. VËREJTJE: Sigurohuni që pajisja të jetë e shkyqur para ndërrimit të llambës për të parandaluar mundësinë e goditjes elektrike.

6. VËREJTJE: Është rrezik që personat e pakualifikuar të bëjnë çfarëdo riparimesh ose riparime të cilat përfshijnë heqjen e kapakut që mbron nga ekspozimi ndaj energjisë mikrovalore.

7. VËREJTJE: Lëngjet dhe ushqimi tjetër nuk duhet të ngrohet në enë të mbyllura sepse mund të eksplodojnë.

8. Gjatë ngrohjes së ushqimit në enë të plastikës ose të letrës, kujdesuni për furrën për shkak të rrezikut nga zjarri.
9. Përdorni vetëm enë të cilat janë të përshtatshme për përdorim në furra mikrovalore.
10. Në rast të paraqitjes së tymit, shkyqni furrën ose hiqeni kabllin nga rryma dhe mbani derën e mbyllur për të parandaluar paraqitjen e flakës.
11. Ngrohja mikrovalore e lëngjeve mund të shkaktojë vlim të vonuar eruptiv, prandaj duhet patur kujdes gjatë trajtimit të enës.
12. Përmbajtja e shisheve për ushqim dhe kavanozat për ushqim të bebeve duhet të përzihen ose të tunden dhe duhet të kontrollohet temperatura para konsumimit, për të parandaluar djegien.
13. Vezët me lëvozhgë dhe vezët e tëra të ziera fort nuk duhet të ngrohen në mikrovalë sepse mund të eksplodojnë, edhe pasi që të përfundojë ngrohja mikrovalore.
14. Furra duhet të pastrohet rregullisht dhe të largohen të gjitha mbeturinat e ushqimit.
15. Mospastrimi i furrës mund të shkaktojë dëmtimin e sipërfqes që ndikon në kohëzgjatjen e pajisjes dhe mund të shkaktojë rreziqe.
16. Pajisja nuk duhet të instalohet prapa ndonjë dere dekorative për të parandaluar tejngrohjen. (Kjo nuk vlen për pajisjet me dyer dekorative).
17. Përdorni vetëm sondën e temperaturës të rekomanduar për këtë furrë. (për furrat e pajisura me sondë për kontrollimin e temperaturës).

18. Furra mikrovalore nuk duhet të vendoset në kabinet përveç nëse është testuar për kabinë.
19. Furra mikrovalore duhet të përdoret me derën dekorative të hapur. (për furrat me derë dekorative).
20. Ky aparat është i dedikuar për përdorim në amvisëri dhe objekte të ngjashme si për shembull në:
-kuzhina për personel, zyra dhe ambiente të tjera afariste .
21. Furra mikrovalore përdoret për ngrohjen e ushqimit dhe pijeve. Tharja e ushqimit ose rrobave dhe ngrohja e pantoflave, sfungjerëve, leckave të lagura dhe të ngjashme mund të shkaktojë rrezik nga lëndimi, ndezja ose zjarri.
22. Kontejnerët metalike për ushqim dhe pije nuk guxojnë të përdoren për zierje mikrovalore.
23. Pajisja nuk duhet të pastrohet me pastrues avulli.
24. Pajisja duhet të përdoret si aparat i pavarur.
25. Pjesa e prapme e pajisjes duhet të jetë e kthyer nga muri.

LEXONI ME KUJDES DHE RUANI PËR PËRDORIM NË TË ARDHMEN

Për të zvogëluar rrezikun nga lëndimi Instalimi i tokëzimit

RREZIK

Rrezik nga goditja elektrike.

Prekja e disa komponentave të brendshme mund të shkaktojnë lëndime të rënda ose vdekje. Mos e çmontoni këtë pajisje.

VËREJTJE

Rrezik nga goditja elektrike. Përdorimi jo i drejtë mund të shkaktojë goditje elektrike. Mos e vendosni kabllin në rrymë deri sa të jetë bërë instalimi dhe tokëzimi i pajisjes.

Kjo pajisje duhet të jetë e tokëzuar. Në rast të qarkut të shkurt elektrik, tokëzimi zvogëlon rrezikun nga goditja elektrike duke siguruar një tel shpëtimi për rrymën elektrike. Kjo pajisje është e pajisur me një kablo që ka tel dhe prizë të tokëzuar. Kablli duhet të futet në prizë që është e instaluar dhe e tokëzuar në mënyrë të rregullt.

Konsultoni një elektrikist ose serviser të kualifikuar nëse instruksionet e kualifikimit nuk janë mjaftueshëm të kuptueshme ose nëse ekziston dyshimi se pajisja nuk është tokëzuar siç duhet. Nëse nevojitet të përdoret kablo zgjatuese, përdorni vetëm kablo zgjatuese me tre tela.

1. Është siguruar një kablo e shkurtër e furnizimit me energji për të zvogëluar rreziqet që vijnë nga ngatërrimi ose bllokimi i kabllit së gjatë.
2. Nëse përdoret kablo i gjatë ose kablo zgjatues:
 - 1) Vlerësimi elektrik i shënuar i kabllit ose kabllit zgjatues duhet të jetë të paktën aq sa vlerësimi elektrik i pajisjes.
 - 2) Kablli zgjatues duhet të ketë llojin e tokëzimit me tre tela. Kordoni i gjatë duhet të jetë i rregulluar në mënyrë që të mos bjerë mbi majën e banakut ose nga tavolina ku mund të tërhiqet nga fëmijët pa dashje.

PASTRIMI

Sigurohuni që pajisja të jetë e shkyqur nga rryma elektrike.

1. Pas përdorimit, brendinë e pajisjes pastroni me një leckë të butë të lagur.
2. Lani pjesët e pajisjes në mënyrë të zakonshme me ujë dhe sapun.
3. Korniza e derës dhe vula dhe pjesët tjera duhet të pastrohen me një leckë të butë dhe të lagur kur të jenë të ndotura.
4. Mos përdorni pastrues abraziv ose gërryes të mprehtë të metalit për të pastruar derën e qelqit të furrës pasi që mund të gërvishtet sipërfaqja dhe të pëlcasë qelqi.
5. Këshillë për pastrim---Për pastrim të lehtë të mureve të furrës të cilat mund të preken nga ushqimi: Vendosni gjysmë limoni në një enë, shtoni 300ml (1/2 pintë) ujë dhe ngrohni në fuqi mikrovalore prej 100% për 10 minuta. Fshini furrën duke përdorur një leckë të butë dhe të thatë.

ENËT E KUZHINËS

KUJDES!

Rrezik nga lëndimi trupor

Riparimi dhe servisimi i pajisjes nga personat jokompetent paraqet rrezik, nëse hiqet kapaku i cili mbron nga eksponimi ndaj energjisë së mikrovalës.

Shihni instruksionet për "Materialet të cilat mund të përdoren në mikrovalë ose të cilat nuk duhet të futen në furrën e mikrovalës." Ekzistojnë edhe disa enë jometalike të cilat nuk janë të sigurta për tu përdorur në mikrovalë. Nëse nuk jeni të sigurtë, mund të testoni enët duke ndjekur procedurën në vazhdim.

Testimi i enëve:

1. Mbushni një enë të sigurtë për përdorim në mikrovalë me një gotë ujë të ftohtë (250ml) bashkë me enën në fjalë.
2. Kyçni pajisjen në fuqinë maksimale për 1 minutë.
3. Prekni enët me kujdes. Nëse ena e zbrazët është e nxehtë, mos e përdorni për ngrohje në mikrovalë.
4. Mos e tejkaloni kohën e ngrohjes prej 1 minute.

MATERIALET TË CILAT MUND T'I PËRDORNI NË FURRËN MIKROVALORE

Enët

Vërejtjet

Ena për pjekje	Ndiqni udhëzimet e prodhuesit. Fundi i enës për pjekje duhet të jetë së paku 3/16 inç (5mm) mbi pllakën rrotulluese. Përdorimi jo i drejtë mund të shkaktojë thyerjen e pllakës rrotulluese.
Ena e porcelanit	Vetëm enët që janë të sigurta për përdorim në mikrovalë. Ndiqni instruksionet e prodhuesit. Mos përdorni enët të plasaritura ose të thyera. es.
Kavanozat e qelqit	Gjithmonë hiqeni kapakun. Përdorni vetëm sa për të ngrohur ushqimin. Shumica e kavanozave të qelqit nuk janë rezistente ndaj nxehtësisë dhe mund të thyhen.
Ena e qelqit	Vetëm për enë që janë rezistente nga nxehtësia. Sigurohuni që të mos ketë stoli nga qelqi. Mos përdorni enët të plasaritura ose të thyera.
Qeset për gatim në furrë	Ndiqni instruksionet e mikrovalës. Mos e mbyllni me lidhëse metalike. Bëni vrima që të dalë avulli.
Pjatat dhe gotat nga letra	Përdorni vetëm për zierje/ngrohje të njëhershme. Mos e lini furrën pa mbikëqyrje deri sa të përfundojë zierja.
Lecka letre	Përdorni për të mbuluar ushqimin për ringrohje dhe për absorbimin e yndyrës. Përdorni me mbikëqyrje vetëm për ngrohje të njëhershme.
Letër pergameni	Përdorni si mbulesë për të parandaluar spërkatjen ose si mbështjellje për avull.
Plastika	Vetëm për përdorim në mikrovalë. Ndiqni instruksionet e prodhuesit. Duhet të mbajë etiketën "E sigurtë për mikrovalë". Disa enë të plastikës zbuten pasi që ushqimi brenda në të ngrohet. "Qeset për zierje" dhe qeset e plastikës të mbyllura fortë duhet të çahen ose shpohen ashtu siç është dhënë në paketim.
Mbështjelljet plastike	Vetëm ato që janë të sigurta për përdorim në mikrovalë. Përdorni për të mbuluar ushqimin gjatë ngrohjes për të mbajtur lagështinë. Mos lejoni që mbështjellja e plastikës të prekë ushqimin.
Termometrat	Vetëm për përdorim të sigurtë në mikrovalë (termometrat për mish dhe ëmbëlsira).
Letër e parafinuar	Përdorni si mbështjellës për të parandaluar spërkatjen dhe për të mbajtur lagështinë.

MATERIALET TË CILAT NUK DUHET TË PËRDOREN NË MIKROVALË

Enët

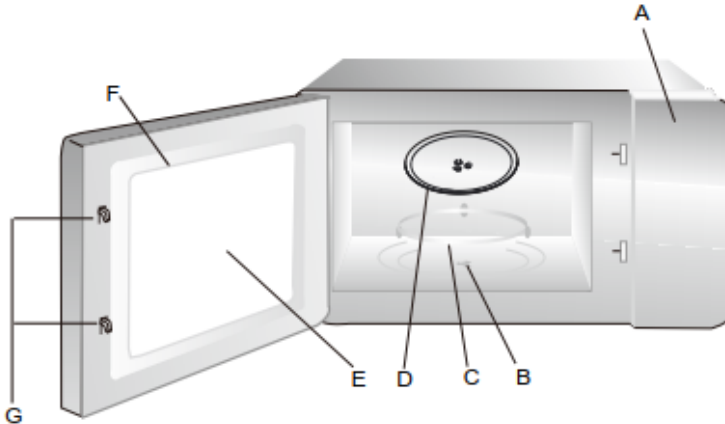
Vërejtjet

Tabaka e aluminit	Mund të shkaktojë krijimin e harkut. Hidheni ushqimin në enë të sigurtë për përdorim në mikrovalë.
Ambalazh kartoni me dorezë të sigurtë metalike	Mund të shkaktojë krijimin e harkut. Hidheni ushqimin në enë të sigurtë për përdorim në mikrovalë.
Metali ose enët me pjesë metalike.	Metali mbron ushqimin nga energjia mikrovalore. Pjesët metalike mund të shkaktojnë hark elektrik.
Lidhjet e kthesës metalike	Mund të shkaktojnë krijimin e harkut dhe mund të shkaktojnë zjarr në furrë.
Qeset nga letra	Mund të shkaktojnë zjarr në furrë.
Shkuma plastike	Shkuma plastike mund të shkrijë osë të kontaminojë lëngun që gjendet brenda kur të ekspozohet ndaj temperaturave të larta.
Druri	Druri do të thahet nëse përdoret në furrë mikrovalore dhe mund të çahet ose të pëlcasë.

Pjesët dhe shtojcat e furrës

Hiqni furrën dhe të gjitha materialet nga kartoni dhe nga brendia e furrës. Furra juaj vjen me këto aksesore:

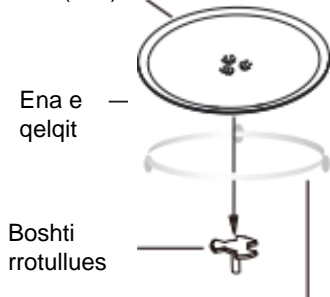
Ena e qelqit	1
Unaza rrotulluese	1
Udhëzimi për përdorim	1



- A) Paneli i kontrollit
- B) Boshti i enës rrotulluese
- C) Unaza rrotulluese
- D) Pjata e qelqit
- E) Dritarja për shikim
- F) Dera
- G) Sistemi për mbyllje të sigurtë

Vendosja e enës rrotulluese

Mesi (nën)



Ena e qelqit

Boshti rrotullues

Vendosja e enës rrotulluese

- a. Asnjëherë mos e vendosni enën e qelqit në anën e mbrapshtë. Ena e qelqit nuk duhet të kufizohet asnjëherë.
- b. Ena e qelqit dhe unaza rrotulluese duhet të përdoren gjithmonë gjatë ngrohjes.
- c. Të gjitha ushqimet dhe ambalazhet me ushqim duhet të vendosen në enën e qelqit për zierje.
- d. Nëse ena e qelqit ose unaza rrotulluese pëlçet ose thyhet, kontaktoni qendrën më të afërme të servisit.

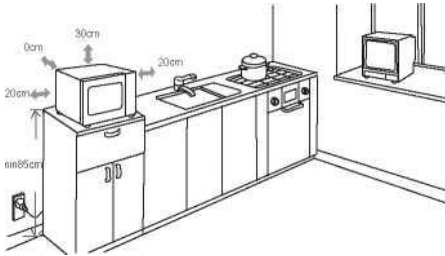
Instalimi në sipërfaqe të punës

Largoni të gjitha materialet e paketimit dhe aksesorët. Kontrolloni furrën për ndonjë dëmtim siç janë shtypjet ose dera e thyer. Mos e insaloni nëse furra është e dëmtuar.

Shtëpiza: Hiqni folinw mnbrotjëse nga sipërfaqja e shtëpizës së furrës mikrovalore. Mos e largoni Mica mbulesën me ngjyrë të kaftë të çelur që është e ngjitur në brendinë e furrës për të mbrojtur magnetronin.

INSTALIMI

1. Përzgjidhni sipërfaqe të rrafshët e cila ofron ambient mjaft të hapur për hapësirat hyrëse dhe dalës.



- (1) Lartësia minimale e instalimit duhet të jetë 85cm.
- (2) Sipërfaqja e pasme e pajisjes duhet të mbështetet në murë. Lini hapësirë minimale prej 30cm mbi furrë, kurse nevojitet hapësirë minimale prej 20 cm në mes të furrës dhe mureve anësore.
- (3) Mos i largoni këmbëzat nga fundi i furrës.
- (4) Bllokimi i hyrjes dhe/ose daljes së ajrit mund të dëmtojë furrën.
- (5) Vendosni furrën sa më largë që të mundeni nga radio dhe TV pajisjet.

Puna e furrës mikrovalore mund të shkaktojë pengesa në transmetimin e radios dhe TV-së.

2. Futni kablilin e rrymës së furrës në prizë standard shtëpiake. Energjia dhe frekuenca duhet ti përgjigjen energjisë së furrës, të shënuar në pllakë me të dhënat teknike.

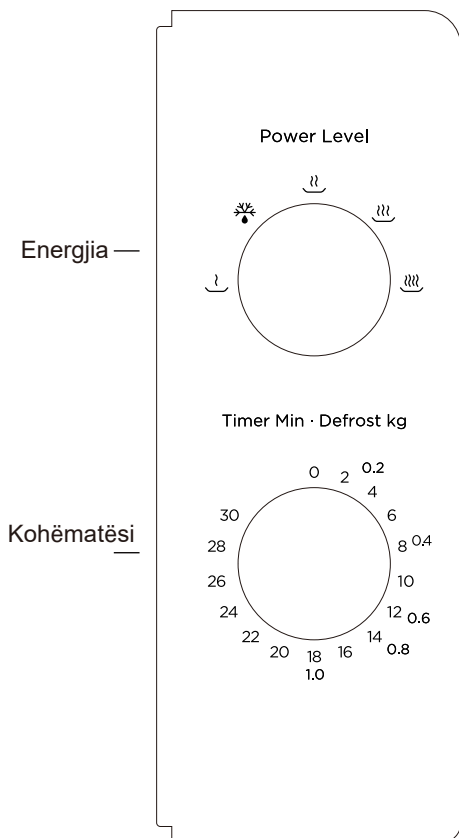
VËREJTJE: Mos e vendosni furrën mbi shporet ose mbi pajisje të tjera të ngrohta. Nëse vendoset nëse vendoset në afërsi ose mbi sipërfaqe të ngrohtë, furra mund të dëmtohet dhe garancioni nuk vlen në rast të tillë.

Sipërfaqja mund të jetë e ngrohtë gjatë punës.



FUNKSIONIMI

Udhëzime të funksionimit të panelit të kontrollit dhe veçorive



1. Për të cilësuar energjinë duke rrotulluar butonin e energjisë në nivelin e dëshiruar.
2. Për të cilësuar kohën e zierjes duke rrotulluar butonin e kohëmatësit në kohën e dëshiruar sipas udhëzimit të zierjes së ushqimit.
3. Furra mikrovalore do të fillojë zierjen e ushqimit automatikisht pasi të jenë cilësuar niveli i energjisë dhe kohës.
4. Pasi të përfundojë koha e zierjes, njësia do të bëjë një "Dong" për të ndaluar.
5. Nëse njësia nuk është në përdorim, gjithmonë cilësojeni kohën në "0".

Funksioni/Fuqia	Cilësimi	Aplikacioni
	17% micro.	Zbutja e akullores
	33% micro.	Shkrirja e supave, gjyveçeve ose gjalpit
	55% micro.	Gjyveç, peshk
	77% micro.	Oriz, peshk, pulë, mish i bluar
	100% micro.	Ringrohje, qumësht, ujë i vluar, perime, pije

Shënim: Kur hiqni ushqimin nga furra, sigurohuni që energjia e furrës të fiket duke e kthyer butonin e kohëmatësit në 0 (zero).

Dështimi për ta bërë këtë dhe funksionimi i furrës mikrovalore pa ushqim në të, mund të rezultojë në tejngrohje dhe dëmtim të magnetronit.

Zgjidhja e problemeve

Normale	
Furra mikrovalore pengon pranimin e TV sinjalit	Mund të vijë deri te pengesa e transmetimit të radio dhe TV sinjalit deri sa furra mikrovalore është duke punuar. Pengesa e tillë paraqitet edhe te elektroshtëpiaket tjera, si mikserat, thithësja dhe ventilatori. Kjo është paraqitje normale.
Drita e dobët në furrë	Gjatë përpunimit mikrovalor të ushqimit, drita në furrë mund të ndriçojë dobët. Kjo është paraqitje normale.
Avulli akumulohet në derë, ajri i ngrohtë del nga hapësirat e ventilimit	Gjatë përpunimit të ushqimit, nga ai mund të dalë avull. Shumica e avullit del nga hapësirat e ventilimit, por sasia e caktuar mund të grumbullohet në vend të ftohtë, si dera e furrës. Kjo është dukuri normale.
Furra ka filluar të punojë pa ushqim brenda.	Është rreptësisht e ndaluar që të ndizet furra pa pasur ushqim brenda. Kjo është e rrezikshme.

Problemi	Shkaktari i mundshëm	Zgjidhja
Furra nuk mund të ndizet.	(1) Kablloja e rrymës nuk është kyqur mirë.	Hiqeni kabllin nga rryma. Pastaj futeni në rrymë përsëri.
	(2) Siguresa është djegur ose ka dalur.	Ndërroni siguresën ose rikthejeni në funksion (mund të rregullohet nga personi i autorizuar i kompanisë tonë).
	(3) Problem me prizën.	Testoni prizën me ndonjë aparat tjetër elektrik.
Furra nuk nxeh	(4) Dera nuk është mbyllur siç duhet.	Mbyllni derën mirë.




 Sipas Direktivës për deponimin e pajisjes elektrike (ËEEE), pajisjet elektrike duhet të grumbullohen dhe të përpunohen në mënyrë të posaçme. Nëse në ndonjë moment në të ardhmen nevojitet që të depononi këtë produkt, MOS e hidhni bashkë me mbeturinat shtëpiake. Dërgoni këtë produkt në qendrën për grumbullimin e mbeturinave të pajisjeve elektrike dhe elektronike, nëse një qendër e tillë ekziston.

