



GBR

SRB

SVN

HRV

PRT

# BTG 620BL

OPERATING INSTRUCTIONS COOKER HOOD

UPUTSTVO ZA UPOTREBU ASPIRATOR

NAVODILA ZA UPORABO KUHINJSKA NAPA

UPUTE ZA UPORABU KUHINJSKA NAPA

MANUAL DE INSTRUÇÕES EXAUSTOR

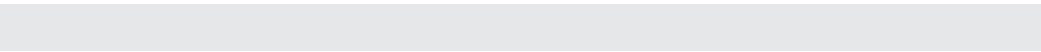


GBR

BTG 620BL

OPERATING INSTRUCTION HOOD

|       |   |    |
|-------|---|----|
| 1     | TECNICAL DRAWING                            | 4  |
| 2     | WARNINGS AND SAFETY PRECAUTIONS             | 5  |
| 2.1   | Life threatening Danger, Poisoning Danger   | 7  |
| 3     | USAGES WITH AND WITHOUT CARBON USE          | 9  |
| 3.1   | Replacement of Carbon filter                | 9  |
| 3.2   | Replacement of Carbon filter                | 9  |
| 4     | CLEANING AND PREVENTIVE MAINTENANCE         | 10 |
| 4.1   | Washing in Dishwasher                       | 10 |
| 4.2   | Hand wash                                   | 10 |
| 5     | INSTALLATION OF APPLIANCE                   | 11 |
| 5.1   | Installation scheme                         | 12 |
| 5.2   | Installation and Unpacking of the Appliance | 12 |
| 5.3   | Reccomandations for Energy Saving           | 12 |
| 6     | CONTENT OF PACKAGE                          | 13 |
| 7     | OVERVIEW OF THE APPLIANCE                   | 14 |
| 8     | ASSEMBLY OF PRODUCT                         | 15 |
| 8.1   | Installation scheme and components          | 15 |
| 9.    | FLUE OUTLET CONNECTOR ASSEMBLY              | 15 |
| 10.   | Touch button                                | 16 |
| 10.1. | 3-spped sensor switch, usage                | 17 |
| 11    | REPLACEMENT OF LAMPS                        | 18 |
| 11.1  | Replacement of Spark Plug Lamp              | 18 |
| 11.2  | Replacement of Halogen Lamp                 | 18 |
| 12    | AUTHORIZED TECHNICAL SERVICE                | 19 |
| 12.1  | Potential Failures and Solutions            | 20 |
| 12.2  | Technical Table                             | 20 |



# 1 TECHNICAL DRAWING

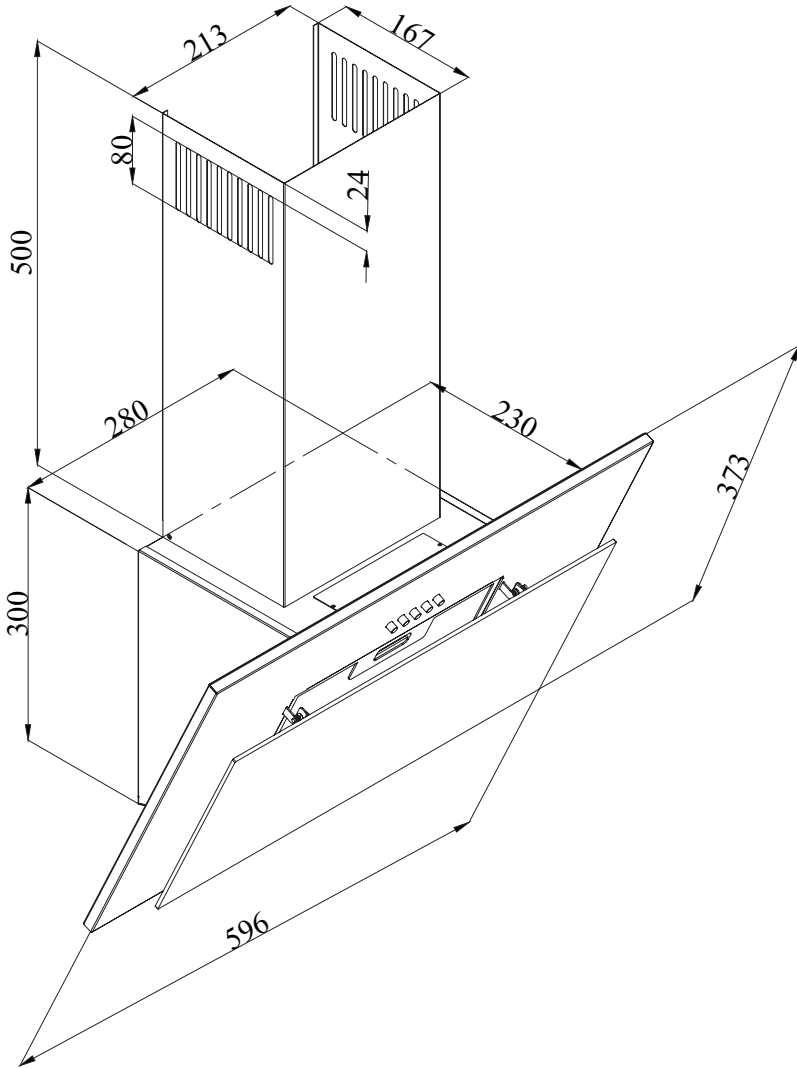


Fig. 1: TECHNICAL DRAWING

## 2 WARNINGS AND SAFETY PRECAUTIONS

- This appliance can be used by children aged from 8 years and above and persons with reduced physical, sensory or mental capabilities or lack of experience and knowledge if they have been given supervision or instruction concerning use of the appliance in a safe way and understand the hazards involved.
- This product is designed for home use.
- Usage voltage of your product is 220-240 Volt~50 Hz.
- Power cord of your product is fitted with a grounded plug. This cord must be plugged into a grounded outlet.
- The whole electrical wiring must be installed by a qualified electrician.
- Installation by unauthorized persons could lead to poor operation performance, damage to the product, and accidents.
- Feeder cable of the appliance mustn't be exposed to jamming or crashing during assembly. Feeder cable mustn't be placed near the cooker. In such cases, it might melt down and lead to fire.
- Do not plug in the appliance before the installation.
- Make sure that the installation place allows the user to easily unplug the power cable in case of any danger.
- Do not touch your product's lamps when they work for a long time. Since they would be hot, they could burn your hand.
- Kitchen cooker hoods are designed for normal cooking and home use. For uses other than specified, there is the risk of failure and the appliance becomes out of warranty.
- Comply with the rules and instructions regarding discharge of outgoing air, stipulated by the relevant authorities. (This warning does not apply to uses without flue.)
- Flammable foods must not be cooked under the appliance.
- Turn on the appliance after placing a saucepan, pan, etc. on the cooker. Otherwise, high temperature might lead to deformation on some components of your product.
- Turn off the cooker's burner before taking the saucepan, pan, etc. off the cooker.
- Do not leave hot oil on your cooker. Pots that contain hot oil might lead to inflammation.
- Since oils could catch fire when you cook fried foods in particular, be careful about your curtains and tablecloths.
- Ensure timely replacement of the filters. Filters not replaced in a timely manner pose risk of fire due to accumulated grease deposits on them.
- Do not use non-fire-resistant filtering materials instead of the filter.
- Do not operate your product without filter, and do not remove the filters when the product is in use.
- In case of any deflagration, de-energize the cooker hood and cooking appliances. (Plug off the appliance or turn off the main switch).
- If your product's periodic cleaning is not made in a timely manner, it could pose risk of fire.
- De-energize the appliance before any maintenance operations. (Plug off the appliance or turn off the main switch.)
- When electric cooker hood and devices fed with energies other than electricity operate simultaneously, the negative pressure in the room must not exceed 4 Pa ( 4 X 10 bar ).
- Gas or fuel oil burning appliances, such as room heaters, which share the same environ-

ment with your product, must be fully insulated from the exhaust of this product or they must be hermetical.

- When you make a flue connection for your product, use pipes with a diameter of 150mm or 120 mm.

- The length of the pipe connection as well as the number of elbows must be as minimum as possible.

- Children must not play with the appliance.

- For your safety, use "MAX 6 A" fuse in the cooker hood system.

- Since the packing materials could be dangerous, keep them away from children.

- If the feeder cable is damaged, it must be replaced by its manufacturer or authorized technical service or any other personnel qualified at the same level, in order to avoid any dangerous situation.

- In case of any deflagration, de-energize the cooker hood and cooking appliances, and cover the flame. Never use water to extinguish the fire.

- When cooking appliances are in operation, their accessible parts could be hot.

- This appliance is not intended to be used by people with physical, sensory and mental disabilities (including children) or those who have not adequate experience and knowledge regarding its use, unless they are under the supervision of a person responsible for the safety of the appliance.

- After the installation of the cooker hood, the minimum distance must be 65 cm between the product and any electric cooker; and 75 cm between it and any gas ranges or cookers burning other fuels.

- Output of the cooker hood must not be connected to air ducts, where there exist another smokes.

- You must be careful when using the appliance spontaneously with other appliances (e.g. gas, diesel fuels, coal or wood burning heaters, shower heaters, etc.) Attention must be paid when using them simultaneously. It is because the cooker hood could adversely affect the combustion, by discharging the ambient air.

- This warning does not apply to uses without flue.

- When electric cooker hood is used simultaneously with devices that use gas or other fuels, there must be sufficient ventilation in the room (might not apply to devices that discharges the air back into the room).

- Simultaneous operation of more than one gas cooker leads to generation of high heat. A ventilation appliance placed on the surface of cookers might therefore get damaged or burn. Do not operate two gas cookers in high heat for more than 15 minutes. One large burner with more than 5kW (Work) power generates power equal to that of two gas burners.

## 2.1 Life-Threatening Danger, Poisoning Danger

### DANGER

There are life-threatening danger and poisoning danger due to reabsorbed combustion gases. During the air discharge outlet use, unless sufficient air supply is provided, do not use the appliance simultaneously with devices that discharge toxic gases through flue such as ventilated, gas, oil, wood or coal burning heaters, shower heaters, water heaters, etc.

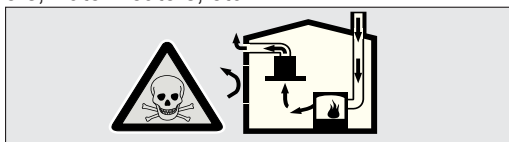


Fig. 2: Poisoning Danger

Ventilated devices (e.g. gas, oil, wood or coal burning heaters, shower heaters, water heaters) take combustion air from the installation location, and discharge the waste gas through a waste gas system (e.g. flue). When the cooker hood is active, it absorbs air from the kitchen and neighbouring rooms. If adequate air entry is not provided vacuum emerges. In such a case, the toxic gases are absorbed from the flue and waste gas channel, and are taken into to door again. Fig. 2 Therefore, adequate fresh air ingress must always be ensured. Fig. 3

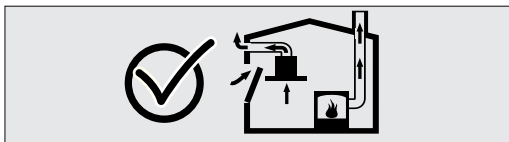


Fig. 3

### DANGER

#### Fire danger!

Due to sparkling. Installation of appliance over a heating device that is heated by using solid fuels (for ex. wood or coal) is only allowed if a non-detachable cover is present. For the installation process, attention must be paid to current applicable construction regulations and regulations of local electric and gas companies. Appliance might lead to fire unless it is produced in accordance with cleaning instructions.

### DANGER

#### Danger of electric shock!

Do not bend or jam the connection cable during installation due to danger of damaged connection cable.

### DANGER

#### Danger of physical injury!

- During the installation, there is a danger of physical injury due to the sharp edges. Use protective gloves throughout the installation process of the appliance.
- Due to risk of dropping the appliance, assembly of all safety bolts and covers must be performed as specified in the user manual.



**⚠ DANGER**

**Danger of burn, danger of electric shock!**

- Allow the appliance to cool before cleaning or maintenance process. Switch off the fuse or pull out the mains plug from the socket.
- There is risk of damage due to ingress of moisture in the electronics. Do not clean the control components with a wet cloth.
- The surface could be damaged due to a wrong cleaning process. Clean stainless steel surfaces only in their brushing direction. Do not use a stainless steel cleaner for the control elements.
- The surface could be damaged due to aggressive and abrasive cleaning agents. Never use aggressive and abrasive cleaning agents.
- There is risk of damage due to backflow of condensate. Mount the air outlet channel downwards from the appliance (slope of 1°).

**⚠ DANGER**

**Dangers of fire and physical injury!**

In case of repairing that is not performed according to the rules or as required, turn off the fuse or unplug the feeder cable of your appliance. Repairing must be performed only by the authorized technical service or authorized experts.

**NOTE**

*If the appliance is faulty or damages, turn off the fuse or unplug the feeder cable of your appliance and call the authorized service.*

**NOTE**

*If the feeder cable is damaged, it must be replaced by its manufacturer or its authorized technical service or any other personnel qualified at the same level, in order to avoid any dangerous situation.*

**NOTE**

*If the bulbs of your appliance are faulty, turn off the fuse or unplug the feeder cable of your appliance. Replace the bulbs immediately to avoid overload on other bulbs (wait for the bulbs to cool down first)*

**⚠ ATTENTION**

Accessible components might be heated when used with cooking devices.

**⚠ DANGER**

Air outlet pipe of this appliance mustn't be connected in the flue used to discharge the fume generated by devices that use gas or other fuels.

## 3 USAGES WITH AND WITHOUT CARBON FILTER

### 3.1 Replacement of Carbon Filter

In environments without flue, active carbon filter must be used for filtering the air and resending it in. Active carbon filter must be supplied from service or your dealer. De-energize the appliance before replacing the carbon filter. Since carbon filter is used in kitchens with no flue outlet, it must be replaced in every 3-5 months depending on the use.

Carbon filter must never be washed. Grease filters must be installed in the product, regardless of whether or not carbon filters are used. Do not use your product without grease filter.

### 3.2 Replacement of Carbon Filter

- 1 - Place the carbon filter in its housing. Fig. 4
- 2- Rotating the carbon filter clockwise, ensure that it is completely fit. Fig .4

*If carbon filter does not fit in completely, it might drop and damage your product.*

#### **DANGER**

Do not wash carbon filters. Keep the carbon filters away from children.

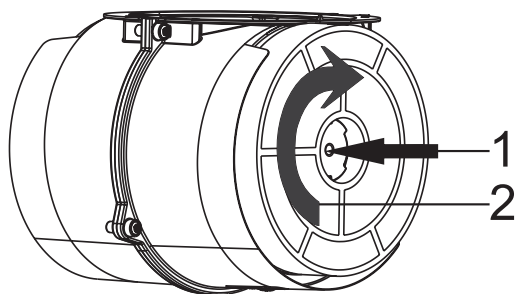


Fig. 4: CARBON FILTER

*The appliance you have purchased is appropriate for use with AF 90 carbon filters.*

## 4 CLEANING AND PREVENTIVE MAINTENANCE

### ATTENTION

- Prior to each maintenance and cleaning, cooker hood must be unplugged, and appliance must be dead
- Cleaning and user maintenance of the appliance shall not be performed by unattended children.
- The surface could be damaged due to aggressive and abrasive cleaning agents. Never use aggressive and abrasive cleaning agents. Supply your cleaning and protective substances that are appropriate for your appliance from the authorized technical service. Surface of appliance and control units are sensitive to scratching.
- Clean the surfaces with a soft and damp cloth, dish-washing liquid or mild glass cleaning agent. Soften the dry, sticky dirt with a damp cloth. Do not scrape!
- It is not appropriate to use dry cloths, sponges that may scratch, materials that require rubbing, and other aggressive cleaning agents containing sand, soda, acid or chlorine.
- Clean the stainless steel surfaces in their brushing direction only.
- Do not use stainless steel cleaning agents and wet clothes for control units. Cleaning of metal grease filters Used metal grease filters retain the greasy particles in the moisture and vapour generated in the kitchen. Clean the metal grease filters about every three months, under normal use conditions (1 to 2 hours a day).
- Do not use excessively effective, acidic or alkaline cleaning agents.
- For cleaning the metal grease filters, clean the holder parts of the metal grease filters in the

appliance, with a damp cloth as well.

- You can clean the metal grease filters in the dishwasher or by hand.

### 4.1 Washing in Dishwasher

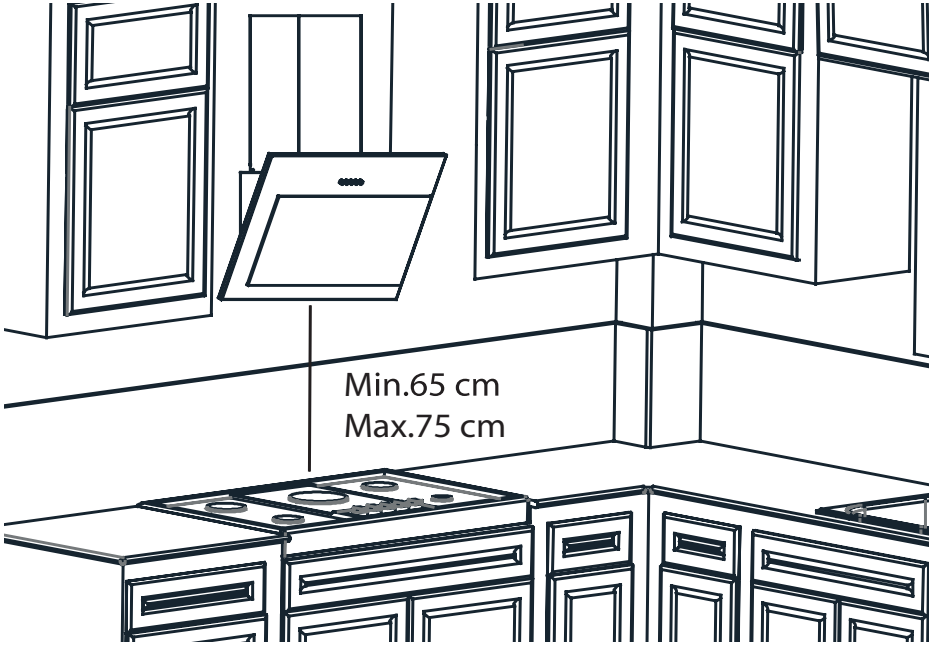
- In case of washing in dishwasher, a slight change might occur in colour. This has no effect on the function of the metal grease filter.
- Do not wash the excessively dirty metal grease filters together with dishes.
- Place the metal grease filters loosely and freely in the dishwasher. Metal grease filters must be placed in the dishwasher without jamming.

### 4.2 Hand Wash

For stubborn dirt, you can use a special grease solvent. You can buy such an agent from the authorized sales centre.

- Soften the metal grease filters in a hot water with dish-washing liquid.
- Use a brush for cleaning and wait for the liquid in metal grease filters to flow off completely.
- Rinse the filters thoroughly after cleaning.

## 5 INSTALLATION OF APPLIANCE



*Fig 5: INSTALLATION OF APPLIANCE*

After completing the installation of cooker hood, the minimum distance must be 65 cm between the product and any electric cooker; and 75 cm between it and any gas ranges or cookers burning other fuels. Fig. 5

## 5.1 Installation scheme

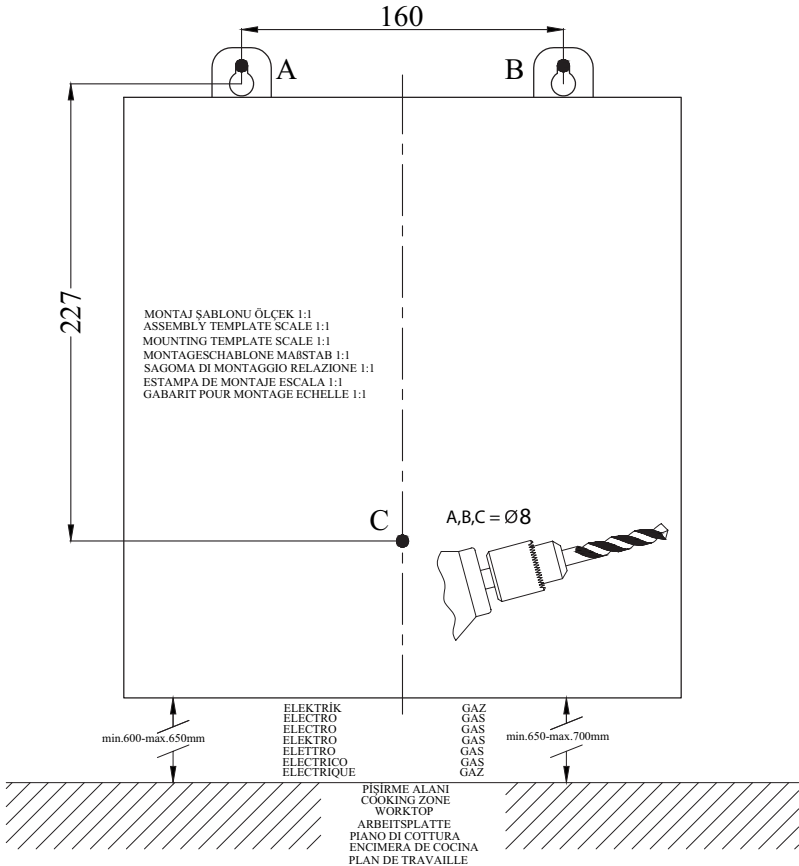


Fig. 6: INSTALLATION SCHEME

### 5.1 Installation and Unpacking of the Appliance

Check that your appliance is not deformed.

- Report the transport issues immediately to transport operator.
- Any faults encountered shall be reported to the dealer, too.
- Do not allow children to play with the packaging materials !!!

### 5.3 Recommendation for Energy Saving

- Replace the carbon filters on a regular basis.
- Regularly clean your aluminium filters. Since dirty filters would block the air passage, you might have to use the appliance at a higher speed.
- Use your product according to its normal speeds.
- Use at higher speed would cause an increase in the energy consumption.

## 6 CONTENT OF PACKAGE

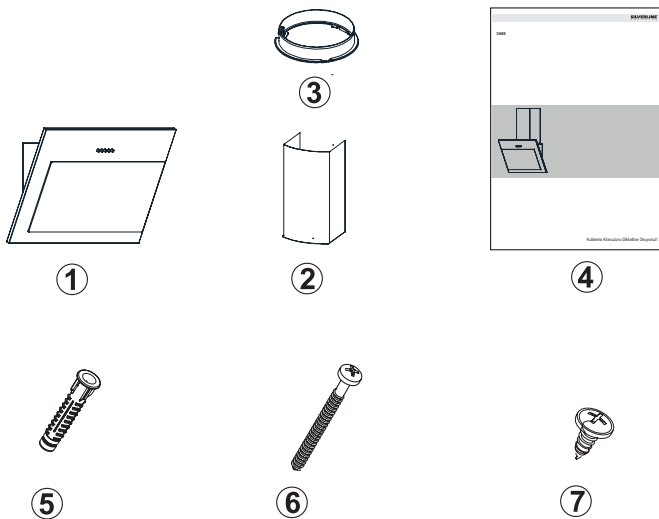
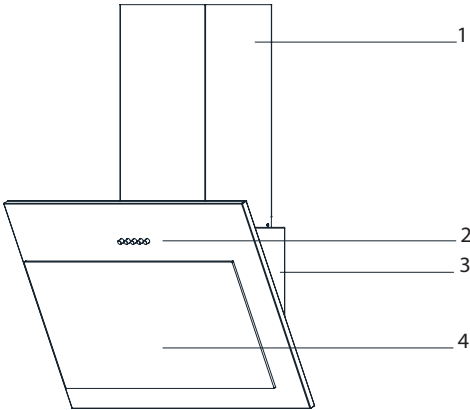


Fig. 7: CONTENT OF PACKAGE

1. Product
2. Flue Outlet Connector
3. Adapter izduvnog kanala od plastike
4. User Manual
5. Plastic dowel Ø8 mm
6. Wall Mount Screw 4,90x50 mm
7. Flue Connection Screw 3,5 x 9,5

## 7 OVERVIEW OF APPLIANCE



*Fig. 8: OVERVIEW OF APPLIANCE*

1. Flue Outlet Connector
2. Control panel layout
3. Housing
4. Side Suction Glass

## 8 ASSEMBLY OF PRODUCT

### 8.1 Assembly scheme and components

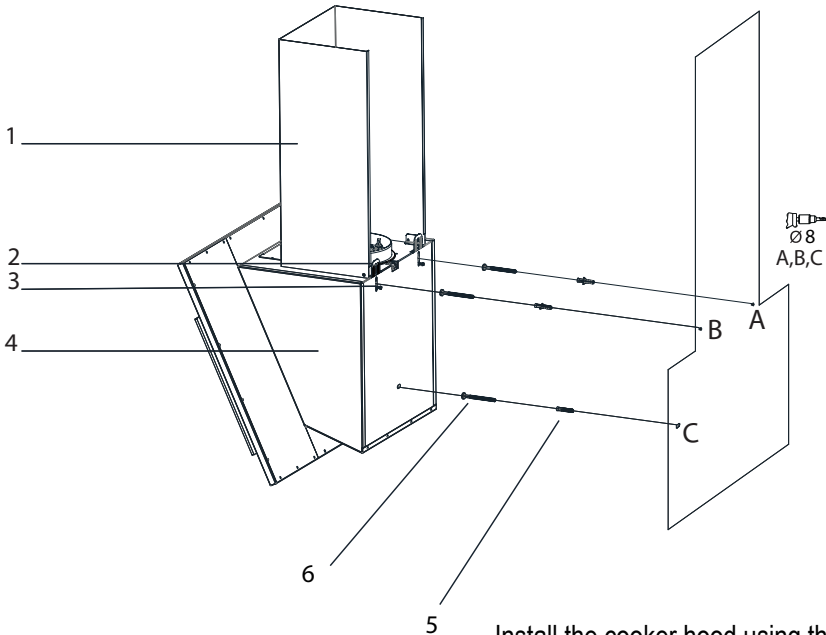


Fig. 9: INSTALLATION AND COMPONENTS

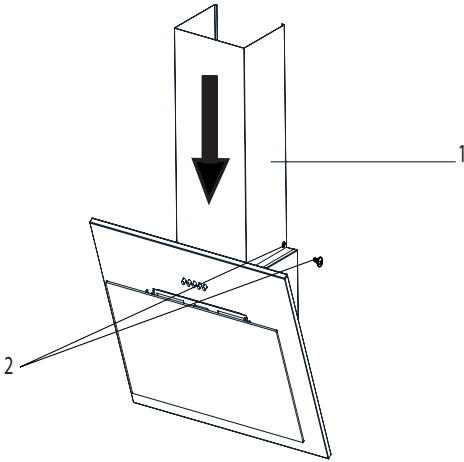
1. Flue Outlet Connector
2. Mounting Plate
3. Mounting Plate Screw
4. Housing
5. Plastic Dowel  $\varnothing 8$  mm
6. Wall Mount Screw 4.90 x 50 mm

Install the cooker hood using the mounting diagram. Attach the mounting diagram to the wall at the specified height (see the minimum and maximum distance from the ceiling in the mounting diagram). Drill Points A, B and C. (Figure 9) Insert the 8 mm dowels (5) into the drilled holes at A, B and C, and tighten the screws in Points A + B so that there is a 5 mm gap between the screw top and the wall (Figure 9). Adjust the position of the mounting plate for the cooker hood (2) by loosening the mounting plate of the cooker hood (3) and fix the hood plate for the cooker hood. Push holes A and B on the side of the cooker hood. Tighten the fixing screws A + B to the wall and fully secure the unit in point C.



## 9 FLUE OUTLET CONNECTOR ASSEMBLY

Fig. 10 FLUE OUTLET CONNECTOR ASSEMBLY



1. Flue Outlet Connector
2. Screws for fastening the flue outlet connector.
3. Place the flue outlet connector on the housing in the direction of the arrow (Figure 10).
4. Assemble the flue outlet connector to the housing of the unit using 2 screws (2) (Figure 10).

## 10.Touch button

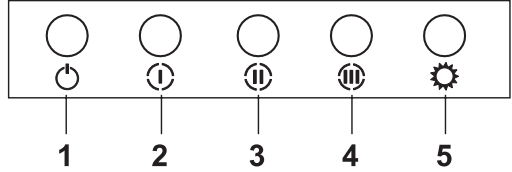


Figure 11: Touch button

1. Press this button to turn on the product.
2. When this button is pressed, product will operate at speed level 1.
3. When this button is pressed, product will operate at speed level 2.
4. When this button is pressed, product will operate at speed level 3.
5. Press this button to turn on or off the lamp.

## 10.1. 3-speed sensor switch, usage

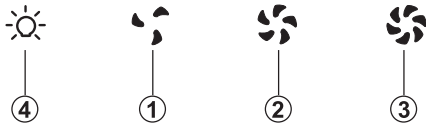



Figure 11: Touch button

1. When this button is pressed, product will operate at speed level 1.
2. When this button is pressed, product will operate at speed level 2.
3. When this button is pressed, product will operate at speed level 3.
4. Press this button to turn on or off  the lamp.



To activate the Timer function, press and hold any of the buttons 1, 2 or 3 for 3 seconds. Then the 15-minute timer function will be activated and the appliance will automatically turn off after 15 minutes.



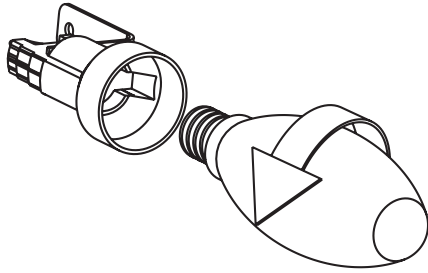
All active functions that worked before activating the timer function will be deactivated after 15 minutes. All active functions that were on after activating the timer function will re-activate after 15 minutes.

# 11 REPLACEMENT OF LAMPS

## DANGER

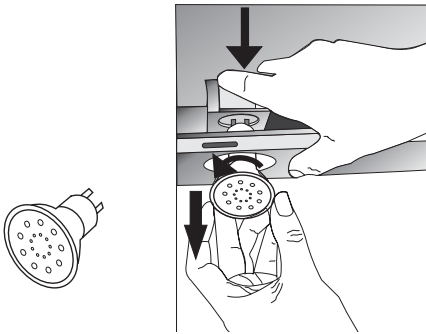
Disconnect the electrical supply of the cooker hood. Leave the lamps to cool down first because they could burn your hands when they are hot.

### 11.1 Replacement of Spark Plug Lamp



*Fig. 12: Replacement of Spark Plug Lamp*

Remove the aluminium cartridge filter. Remove the faulty bulb and replace with a new one with the same rating. Fig. 12



### 11.2 Replacement of Halogen Lamp

*Fig. 13: Replacement of Halogen Lamp*

Remove the aluminium cartridge filter. Remove the faulty bulb and replace with a new one with the same rating. Fig. 13

## **11 AUTHORIZED TECHNICAL SERVICE**

If Lighting is Not Functioning:

- Make sure that the plug is plugged in, and that the fuses are intact.
- Check the bulbs. Make sure you unplugged the device before performing this check. Tighten the bulbs if they are loose; you can replace the bulbs if they still don't work.

### **Possible Faults and What-to-Do Before Calling the Technical Service:**

#### **A) If the appliance does not work in any way:**

- Check to see if the cooker hood is plugged in or if the plug is fit properly into the socket.
- Check the fuse, to which the appliance is connected, as well as the main fuse of your house.

#### **If the performance of appliance is insufficient or it operates with too much noise:**

- Is the outlet diameter of the appliance's flue adequate? (min.120 mm).
- Are the metal filters clean? Please check.
- If you use the cooker hood without flue, make sure that the carbon filters are not older than 6 months.
- Be attentive to ventilate your kitchen adequately, in order to provide an airflow. If you are still not satisfied with the performance of the appliance, consult the authorized technical service.

## 12.1 Potential Failures and Solutions

| Description of Failure                      | Reason                      | Help  |
|---|-----------------------------|---|
| Appliance Does Not Work.                    | Check the power connection. | Mains voltage must be 220-240 V, and product must be plugged into a grounded socket.                                      |
| Lighting Lamp Does Not Operate.             | Check the power connection. | Mains voltage must be 220-240 V, and product must be plugged into a grounded socket.                                      |
| Lighting Lamp Does Not Operate.             | Check the power connection. | Lamp switch must be at "on" position.   |
| Lighting Lamp Does Not Operate.             | Check the bulbs.            | Bulbs must be operative.  |
| Product's Air Intake is Weak.               | Check the aluminium filter. | The aluminium cartridge filter should be washed once a month under normal conditions.                                     |
| Product's Air Intake is Weak.               | Check the air outlet flue.  | Air Outlet Flue Must Be Open.   |
| Product's Air Intake is Weak.               | Check the carbon filter.    | In products that work with carbon filters, carbon filter must be replaced once in every 3 months under normal conditions. |
| It Does Not Discharge Air (in flueless use) | Check the Aluminium filter. | The aluminium cartridge filter should be washed once a month under normal conditions.                                     |
| It Does Not Discharge Air (in flueless use) | Check the carbon filter.    | In products that work with carbon filters, carbon filter must be replaced once in every 3 months under normal conditions. |

## 12.2 Technical Table

|                           |                  |
|---------------------------|------------------|
| Supply Voltage            | 220 - 240 V 50Hz |
| Insulation Class of Motor | F                |
| Insulation Class          | CLASS I          |



**BTG - 620 BL**

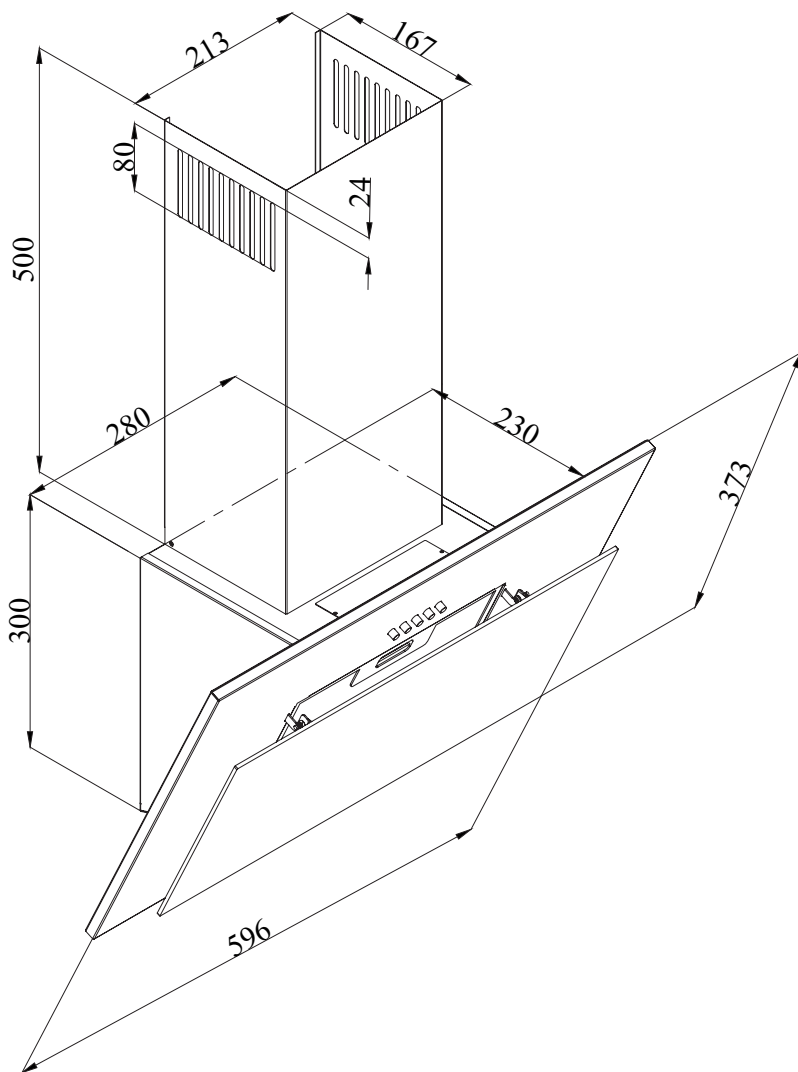
**UPUTSTVO ZA UPOTREBU ASPIRATOR**

|       |  |    |
|-------|--|----|
| 1     | TEHNIČKI CRTEŽ                                 | 4  |
| 2     | UPOZORENJA I SIGURNOSNE MERE                   | 5  |
| 2.1   | Opasnost po život, opasnost od trovanja        | 7  |
| 3     | KORIŠĆENJE SA I BEZ FILTERA SA AKTIVNIM UGLJEM | 9  |
| 3.1   | Zamena filtera sa aktivnim ugljem              | 9  |
| 3.2   | Zamena filtera sa aktivnim ugljem              | 9  |
| 4     | ČIŠĆENJE I PREVENTIVNO ODRŽAVANJE              | 10 |
| 4.1   | Pranje u mašini za pranje sudova               | 10 |
| 4.2   | Ručno pranje                                   | 10 |
| 5     | INSTALACIJA UREĐAJA                            | 11 |
| 5.1   | Šablon za montažu                              | 12 |
| 5.2   | Instalacija i raspakivanje uređaja             | 12 |
| 5.3   | Preporuke za štednju energije                  | 12 |
| 6     | SADRŽAJ PAKOVANJA                              | 13 |
| 7     | PREGLED DELOVA ASPIRATORA                      | 14 |
| 8     | MONTAŽA UREĐAJA                                | 15 |
| 8.1   | Šema montaže i komponente                      | 15 |
| 9     | MONTAŽA SPOJNOG LIMA ZA IZDUVNE KANALE         | 15 |
| 10.   | Taster   | 16 |
| 10,1. | 3-brzinski senzorski proizvod, upotreba        | 17 |
| 11    | ZAMENA SIJALICA                                | 18 |
| 11.1  | Zamena sijalice sa užarenim vlaknom            | 18 |
| 11.2  | Zamena halogene sijalice                       | 18 |
| 12    | OVLAŠĆENI TEHNIČKI SERVIS                      | 19 |
| 12.1  | Mogući kvarovi i rešenja                       | 20 |
| 12.2  | Tabela sa tehničkim podacima                   | 20 |





# 1 TEHNIČKI CRTEŽ



SI. 1: TEHNIČKI CRTEŽ

## 2 UPOZORENJA I SIGURNOSNE MERE

Ovaj uređaj smeju da koriste deca starija od 8 godina, ako je obezbeđen nadzor ili uputstva vezana za bezbednu upotrebu i uključene rizike ako su ih shvatila, kao i ljudi koji imaju fizičke, senzorne ili mentalne sposobnosti ili iskustava i informacije.

- Ovaj proizvod je namenjen za kućnu upotrebu.
- Napon napajanja vašeg uređaja je 220-240 V ~50 Hz.
- Kabl za napajanje uređaja ima uzemljenu utičnicu. Ovaj kabl se uvek mora priključiti u uzemljenu utičnicu.
- Sve električne veze mora da izvede kvalifikovani električar.
- Neovlašćena instalacija može da dovede do lošeg rada, oštećenja uređaja i nesreća.
- Kabl za napajanje uređaja ne sme da se zaglavi ili prignječi tokom instalacije. Kabl za napajanje ne sme da se postavi u blizini šporeta. To može da izazove topljenje i požar.
- Ne uključujete uređaj u struju pre završetka instalacije.
- Pobrinite se da mesto instalacije omogućava korisniku da jednostavno izvuče kabl za napajanje u slučaju opasnosti.
- Ne dodirujte sijalice uređaja kada su uključene duže vreme. Sijalice mogu da izazovu opekotine na vašim rukama jer su vruće.
- Kuhinjski aspiratori su namenjeni za kućnu upotrebu i standardne uređaje za kuvanje. Ukoliko se uređaj koristi u druge svrhe, on može da otkáže, a garancija neće važiti.
- Poštujte propise i pravila nadležnih organa o pražnjenju izduvnih gasova. (Ovo ne važi za korišćenje bez izduvnih kanala).
- Zapaljiva hrana ne sme da se kuva ispod ovog uređaja.
- Uređaj uključite nakon što šerpe, lonce, itd. stavite na šporet. U suprotnom, visoka temperatura može da izazove deformaciju nekih delova uređaja.
- Isključite uređaj pre nego što šerpe, lonce, itd. sklonite sa šporeta.
- Ne ostavljajte vruće ulje na šporetu. Šerpe sa vrućim uljem mogu da izazovu požar.
- Pošto ulje može da se zapali tokom prženja, pazite na zavese i stolnjake.
- Vodite računa da se filteri zamene na vreme. Filteri koji se ne zamene na vreme predstavljaju rizik od požara zbog ulja koje se nataložilo u njima.
- Nemojte umesto filtera da koristite materijal za filtriranje koji nije otporan na vatru.
- Nemojte uključivati uređaj bez filtera i nemojte uklanjati filtere tokom korišćenja uređaja.
- U slučaju požara, aspirator i šporet isključite iz struje. (Uređaj isključite iz struje ili isključite glavni prekidač.)
- Ukoliko se ne čisti redovno, uređaj može da predstavlja rizik od požara.
- Pre održavanja, uređaj isključite iz struje. (Uređaj isključite iz struje ili isključite glavni prekidač)
- Negativni pritisak koji se javlja u prostoriji kada se pored aspiratora istovremeno koriste uređaji koji se ne napajaju električnom energijom, ne sme da premaši 4 Pa ( 4 X 10 bara ).
- Ukoliko se uređaji koji rade na ulje ili gas, kao što su sobne grejalice, nalaze u prostoriji u kojoj se koristi vaš uređaj,

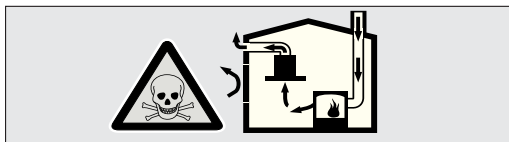
- izduvni gasovi iz ovih uređaja se moraju potpuno izolovati ili uređaj ne sme da propušta vazduh.
- Prilikom povezivanja izduvnih kanala uređaja, koristite cevi prečnika 150 mm ili 120 mm. Veza mora da bude što kraća, sa najmanjim mogućim brojem kolena. Deca ne smeju da se igraju sa uređajem.
  - Zbog vaše bezbednosti, u uređaju koristite osigurač od maksimalno 6 A.
  - Ambalažu držite dalje od dece, jer ona može biti opasna.
  - Ukoliko se kabl za napajanje ošteti, mora ga zameniti proizvođač, njegov servis ili lica odgovarajućih kvalifikacija da bi se izbegle opasnosti.
  - U slučaju požara, aspirator i šporet isključite iz struje i pokrijte plamen. Nikada ne koristite vodu za gašenje požara.
  - Pristupačni delovi mogu biti veoma topli tokom rada šporeta.
  - Ovaj uređaj ne smeju da koriste osobe sa ograničenim fizičkim, čulnim ili mentalnim sposobnostima (uključujući decu), niti osobe koje nemaju dovoljno znanja ili iskustva u korišćenju ovog uređaja, osim ako su pod nadzorom osobe koja je odgovorna za njihovu bezbednost i ako su od nje dobile uputstva o pravilnom korišćenju ovog uređaja.
  - Prilikom montaže aspiratora, između uređaja i električnih šporeta mora da se ostavi najmanje 65 cm prostora ili 75 cm prostora između uređaja i šporeta koji rade na gas ili druga goriva.
  - Odvod kuhinjskog aspiratora ne sme da se povezuje na izduvne kanale na koje su priključeni drugi proizvođači dima.
  - Vodite računa kada uređaj koristite sa drugim uređajima (npr. grejalice koje rade na gas, dizel gorivo, ugalj ili drvo, grejalice u kupatilu itd.) koji koriste isti vazduh u istom okruženju. Treba voditi računa kada se koriste istovremeno. Ovo je važno zato što aspirator može da ima negativan uticaj na sagorevanje, jer vraća vazduh u prostoriju. Ovo ne važi za korišćenje bez izduvnih kanala.
  - Prostorija mora da ima dovoljnu ventilaciju kada se šporet, aspirator i uređaji koji rade na gas i druga goriva koriste istovremeno (ovo možda neće važiti za uređaje koji dovode do cirkulacije vazduha u prostoriji).

## 2.1 Opasnost po život, opasnost od trovanja

### OPREZ

Postoji opasnost po život i opasnost od trovanja zbog ponovnog uvlačenja dimnih gasova.

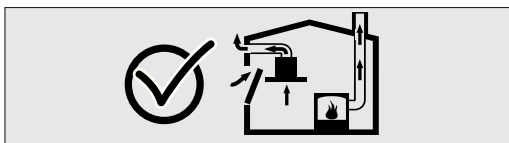
Osim ako se ne obezbedi odgovarajući dovod vazduha, izduvni kanal ovog uređaja nemojte koristiti u kombinaciji sa uređajima koji ispuštaju opasne dimne gasove, kao što su peći za grejanje na gas, lož-ulje ili ugalj, uređaji za zagrevanje vode itd.



Sl. 2: Opasnost od trovanja

Uređaji koji ispuštaju gasove (npr. pećnice, gorionici, bojleri koji rade na gas, ulje, drvo ili ugalj), uzimaju vazduh za sagorevanje iz prostorije u kojoj su instalirani, a dimove odvođe preko sistema za odvod dimova (npr. izduvnih kanala). Uključeni aspirator usisava vazduh iz kuhinje i susednih prostorija. Ukoliko se ne omogući odgovarajući dovod vazduha, stvara se vakuum. U tom slučaju, otrovni gasovi izlaze iz izduvnog kanala i ponovo ulaze u prostoriju. Sl. 2

Zbog toga, uvek treba da se obezbedi dovoljan dovod svežeg vazduha. Sl. 3



Sl. 3

### OPREZ

## Opasnost od požara!

Usled stvaranja varnica. Instalacija ovog uređaja na uređaj za grejanje na čvrsto gorivo (npr. na drvo ili ugalj) može da se dozvoli samo u slučaju da postoji nepovratna klapna. Tokom montaže treba obratiti pažnju na važeće građevinske propise i propise lokalnih preduzeća za snabdevanje električnom energijom i preduzeća za vodosnabdevanje. Ukoliko se uređaj ne čisti u skladu sa uputstvima za čišćenje, on može da izazove požar.

### OPREZ

## Opasnost od električnog udara!

Nemojte savijati niti prignječiti kabl za napajanje prilikom instalacije, jer postoji mogućnost da se on ošteti.

### OPREZ

## Opasnost od telesne povrede!

- Tokom instalacije postoji opasnost od povrede zbog oštih ivica. Prilikom instalacije uređaja, uvek nosite zaštitne rukavice.
- Zbog rizika od pada uređaja, svi sigurnosni zavrtnji i poklopci treba da se postave na način opisan u uputstvu za upotrebu.

## OPREZ

### Opasnost od opekotina, opasnost od strujnog udara!

- Pre čišćenja i održavanja, sačekajte da se uređaj ohladi. Isključite osigurač ili izvucite mrežni utikač iz utičnice.
- Postoji rizik od oštećenja usled nakupljanja vlage na električnim delovima. Kontrolne elemente nikada nemojte čistiti vlažnom krpom.
- Usled nepravilnog čišćenja može doći do oštećenja površine. Površine od nerđajućeg čelika čistite samo u smeru četkanja. Za kontrolne elemente nemojte koristiti sredstva za čišćenje nerđajućeg čelika.
- Može doći do oštećenja površine zbog agresivnih ili abrazivnih sredstava za čišćenje. Nikada ne koristite agresivna ili abrazivna sredstva za čišćenje.

## OPREZ

### Opasnost od požara i telesne povrede!

Ako je vršena nestručna ili pogrešna popravka, izvucite osigurač ili isključite uređaj iz struje. Popravke sme da vrši samo ovlašćeni servis ili ovlašćeno stručno osoblje.

#### NAPOMENA:

*U slučaju kvara ili oštećenja uređaja, izvucite osigurač ili isključite uređaj iz struje i pozovite ovlašćeni servis.*

#### NAPOMENA:

*Ukoliko se kabl za napajanje ošteti, mora ga zameniti proizvođač, njegov servis ili lica odgovarajućih kvalifikacija da bi se izbegle opasnosti.*

#### NAPOMENA:

*Kada su sijalice uređaja u kvaru, izvucite osigurač ili isključite uređaj iz struje.. Da biste sprečili preopterećenje ostalih sijalica, uvek odmah zamenite neispravne sijalice (sačekajte da se sijalice ohlade).*

## OPREZ

Kada se koristi zajedno sa šporetima, pristupačni delovi mogu da se zagreju.

## OPREZ

Izduvna cev za vazduh ovog uređaja ne sme da se poveže unutar izduvnog kanala koji se koristi za izbacivanje izduvnih gasova koje ispuštaju uređaji na gas ili druga goriva..

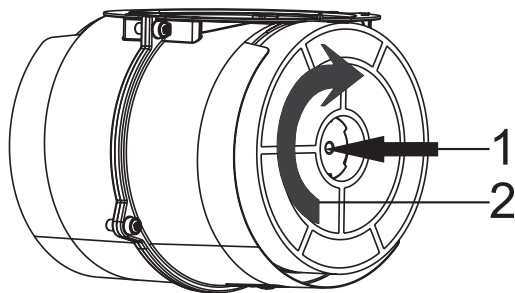
## 3 KORIŠĆENJE SA I BEZ FILTERA SA AKTIVNIM UGLJEM

### 3.1 Zamena filtera sa aktivnim ugljem

U uslovima bez izduvnog kanala, filter sa aktivnim ugljem mora da se koristi za filtriranje vazduha i njegovo vraćanje u prostoriju. Filter sa aktivnim ugljem mora da se nabavi od servisne radionice ili prodavca. Pre zamene filtera sa aktivnim ugljem, isključite uređaj iz struje. Pošto se filter sa aktivnim ugljem koristi u kuhinjama bez odvoda za izduvni kanal, on treba da se zameni novim nakon 3 do 5 meseci korišćenja.

Nikada nemojte prati filter sa aktivnim ugljem. Filteri za ulje uvek treba da se instaliraju na uređaj, bez obzira na to da li se koristi filter sa aktivnim ugljem. Nemojte koristiti uređaj bez filtera za ulje.

### 3.2 Zamena filtera sa aktivnim ugljem



Sl. 4: FILTER SA AKTIVNIM UGLJEM

Uređaj koji ste kupili je pogodan za korišćenje sa filterom sa aktivnim ugljem.

1 - Postavite filter sa aktivnim ugljem u njegovo kućište. Sl. 4

2- Zarotirajte filter sa aktivnim ugljem u smeru kazaljke na satu dok potpuno ne nalegne. Sl.

4. Zarotirajte filter sa aktivnim ugljem u smeru kazaljke na satu dok potpuno ne nalegne. Sl. 4

Ukoliko ne nalegne u potpunosti, filter sa aktivnim ugljem može da padne i oštetiti uređaj.

#### OPREZ

Nemojte prati filtere sa aktivnim ugljem. Filtere sa aktivnim ugljem držite dalje od dece.

## 4 ČIŠĆENJE I PREVENTIVNO ODRŽAVANJE

### OPREZ

Čišćenje i servisiranje koje obavlja korisnik ne treba da obavljaju deca koja nisu pod nadzorom.

- Može doći do oštećenja površine zbog agresivnih ili abrazivnih sredstava za čišćenje.

Nikada ne koristite agresivna i abrazivna sredstva za čišćenje. Potražite sredstva za čišćenje i zaštitu koja su pogodna za vaš uređaj kod ovlašćenog servisa. Površina uređaja i kontrolnih jedinica je osetljiva na ogrebotine.

- Površine čistite mekom, vlažnom krpom, sredstvom za pranje sudova ili blagim sredstvom za čišćenje stakla. Sasušenu i zalepljenu prijavštinu omekšajte vlažnom krpom. Nemojte strugati!

- Korišćenje suvih krpa, sunđera koji mogu da izazovu ogrebotine, sredstava koja zahtevaju trljanje, sredstava za čišćenje koja sadrže pesak, sodu, kiselinu, hlor ili druge jake supstance nije prikladno.

- Površine od nerđajućeg čelika čistite samo u smeru četkanja.

- Za kontrolne jedinice nemojte koristiti sredstva za čišćenje nerđajućeg čelika i vlažne krpe. Čišćenje metalnih filtera za ulje. Korišćeni filteri za ulje hvataju samo čestice ulja koje se nalaze u vlažnom vazduhu i pari u kuhinji. Čistite metalne filtere za ulje na svaka tri meseca, kod normalnog korišćenja (1 do 2 sata dnevno). - Nemojte koristiti previše jaka, kisela sredstva niti sredstva za čišćenje na bazi hlora.

- Tokom čišćenja metalnog filtera za ulje, vlažnom krpom očistite rešetke na metalnim filterima za ulje.

-

Metalne filtere za ulje možete oprati u mašini za pranje sudova ili ručno.

### 4.1 Pranje u mašini za pranje sudova

U slučaju pranja u mašini za pranje sudova, može doći do blagog gubitka boje. To nema uticaja na funkcionisanje metalnog filtera za ulje.

- Veoma zaprljane metalne filtere za ulje nemojte prati zajedno sa sudovima.

- Metalne filtere za ulje stavite u mašinu za pranje sudova tako da stoje slobodno.

- Metalni filteri za ulje treba da se stave u mašinu za pranje sudova bez ometanja.

### 4.2 Ručno pranje

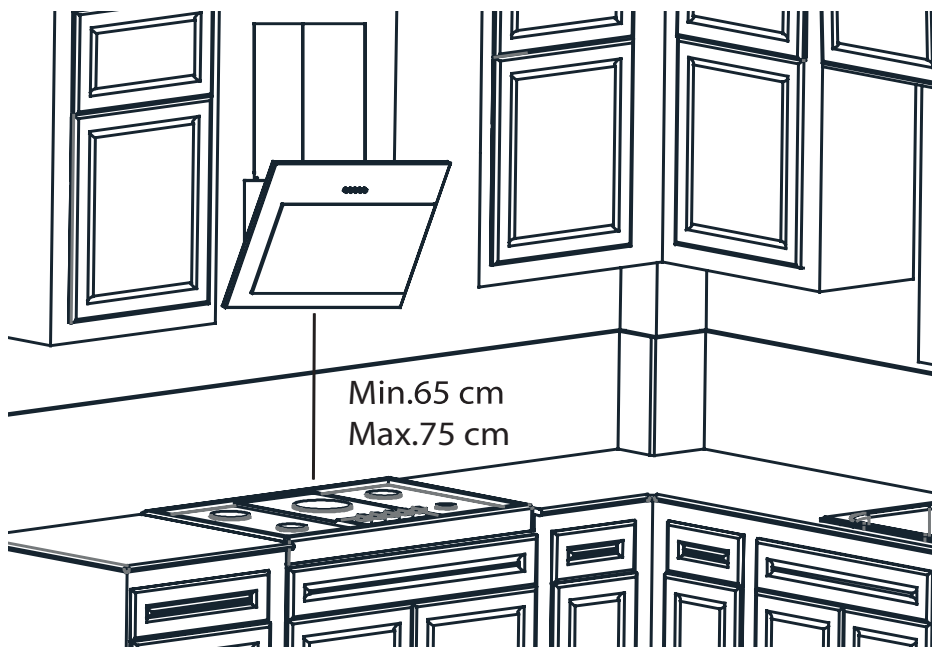
Za uklanjanje tvrdokornih mrlja, možete da koristite specijalni rastvarač ulja. Ovaj proizvod možete kupiti u ovlašćenom prodajnom centru.

■ Omekšajte mrlje na metalnom filteru za ulje tako što ćete ga staviti u toplu vodu sa deterdžentom za pranje sudova.

■ Za čišćenje koristite četku i potpuno ispusite tečnost iz metalnih filtera za ulje.

■ Nakon čišćenja, temeljno isperite filtere.

## 5 INSTALACIJA UREĐAJA

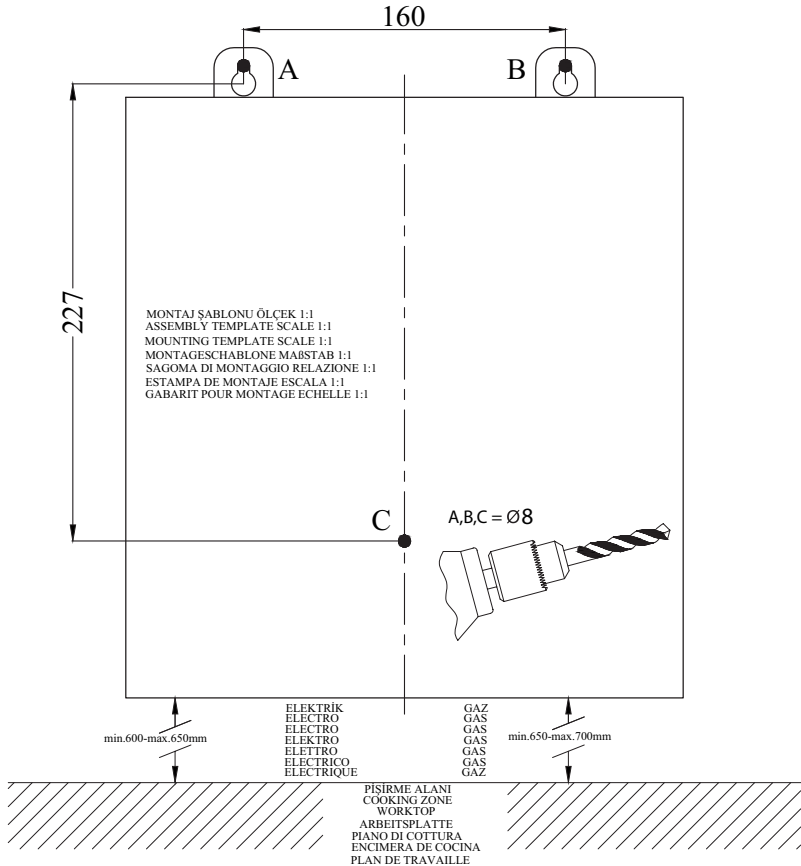


Sl. 5: INSTALACIJA UREĐAJA

Prilikom montaže aspiratora, između uređaja i električnih šporeta mora da se ostavi najmanje 65 cm prostora ili 75 cm prostora između uređaja i šporeta koji rade na gas ili druga goriva. Sl. 5



## 5.1 Šablon za montažu



### SI. 6: ŐEMA MONTAŐE

## 5.2 Instalacija i raspakivanje uređaja

Proverite da li postoje bilo kakva oštećenja na uređaju.

- Oštećenja prilikom transporta odmah moraju da se prijave osobi odgovornoj za transport.

- Vidljivi nedostaci moraju da se prijave i prodavcu.

- Ne dozvolite deci da se igraju ambalaŐom !!!

## 5.3 Preporuke za Őtednju energije

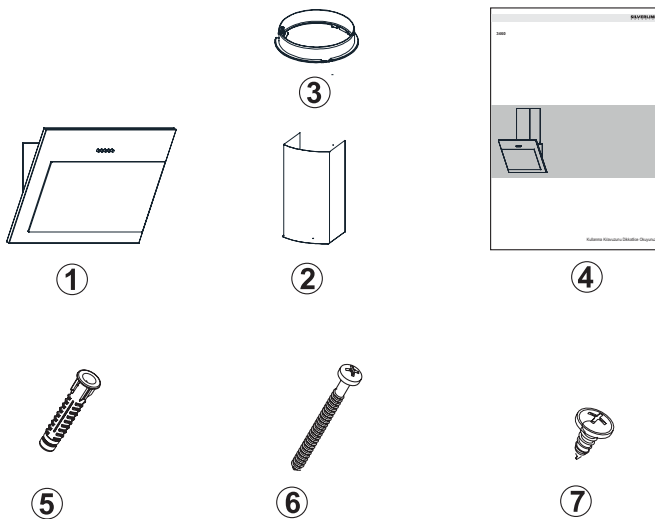
Redovno menjajte filtere sa aktivnim ugljem.

- Redovno čistite aluminijumske filtere. PoŐto prijaviti filteri blokiraju protok vazduha, moŐda ćete morati da uključite uređaj da radi na većoj brzini.

Uređaj koristite na normalnim brzinama.

- KoriŐćenje većih brzina će povećati potroŐnju električne energije.

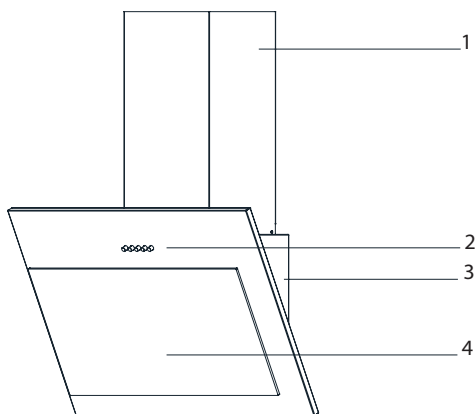
## 6 SADRŽAJ PAKOVANJA



### SI. 7: SADRŽAJ PAKOVANJA

1. Uređaj
2. Spojni lim za izduvne kanale
3. Adapter izduvnog kanala od plastike
4. Uputstvo za upotrebu
5. Plastični tipl Ø8 mm
6. Zavrtanj za zidnu montažu 4,90x50 mm
7. Zavrtanj za spajanje izduvnih kanala od 3,5 x 9,5

## 7 PREGLED DELOVA A S P I R A T O R A

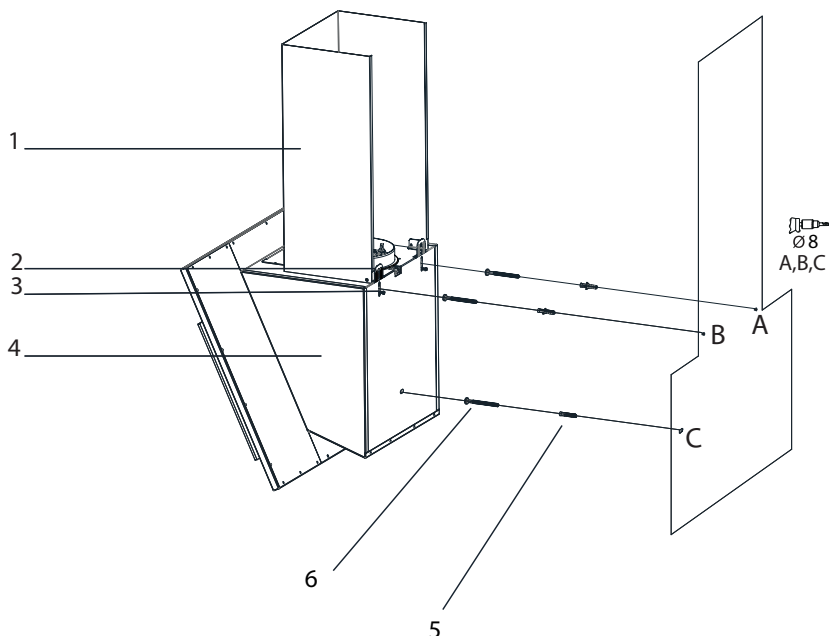


Sl. 8: PREGLED DELOVA ASPIRATORA

1. Spojni lim za izduvne kanale
2. Raspored kontrolne ploče
3. Kućište
4. Staklo za bočni usisni otvor

## 8 MONTAŽA UREĐAJA

### 8.1 Šema montaže i komponente



#### Sl. 9: INSTALACIJA I KOMPONENTE

1. Spojni lim za izduvne kanale
2. Ploča nosača
3. Zavrtnanj za ploču nosača
4. Kućište
5. Plastični tipl od 8 mm
6. Zavrtnanj za zidnu montažu 4,9x50 mm

Montirajte aspirator pomoću šeme za montažu. Zakačite šemu montaže na zid na naznačenoj visini (u šemi za montažu pogledajte minimalne i maksimalne udaljenosti od plafona). Izbušite tačke A, B i C. (Sl. 9)

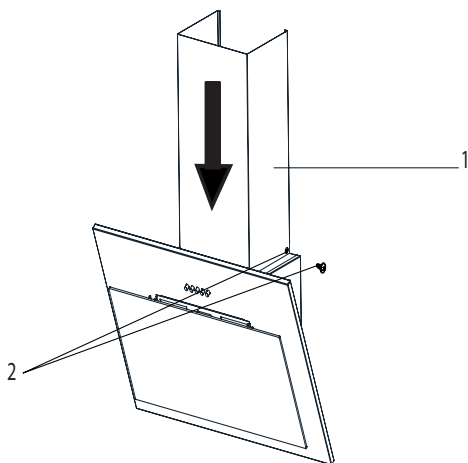
Umetnite tiplove od 8 mm (5) u izbušene rupe na mestima A, B i C i zategnite zavrtnje u tačkama A + B tako da između glave zavrtnja i zida ostane razmak od 5 mm (sl. 9).

Prilagodite položaj ploče nosača za kuhinjski aspirator (2) olabavlivanjem zavrtnja ploče nosača za kuhinjski aspirator (3) i učvrstite ploču nosača za kuhinjski aspirator. Okačite na rupe A i B na strani kuhinjskog aspiratora. Zategnite zavrtnjeve za fiksiranje A + B u zid i potpuno pričvrstite uređaj u tački C.

## 9 MONTAŽA SPOJNOG LIMA

### ZA IZDUVNE KANALE

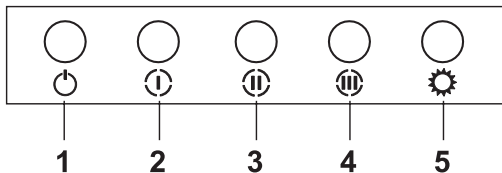
Sl. 10: MONTAŽA SPOJNOG LIMA ZA IZDUVNE KANALE



1. SPOJNI LIM ZA IZDUVNE KANALE
2. Zavrtnji za učvršćivanje spojnog lima za izduvne kanale

- Spojni lim za izduvne kanale postavite na kućište u smeru strelice. (Slika 10)
- Montirajte spojni lim za izduvne kanale na kućište proizvoda pomoću 2 zavrtnja (2). (Slika 10)

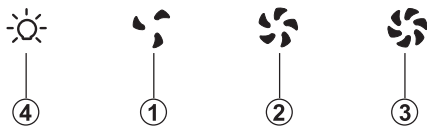
### 10. Taster



Sl. 12: Taster

1. Pritisnite ovaj taster da biste resetovali uređaj .
2. Kada se pritisne ovaj taster, uređaj će raditi na nivou 1. brzine.
3. Kada se pritisne ovaj taster, uređaj će raditi na nivou 2. brzine.
4. Kada se pritisne ovaj taster, uređaj će raditi na nivou 3. brzine.
5. Pritisnite ovaj taster za uključivanje ili isključivanje sijalice.

## 10.1. 3-brzinski senzorski proizvod, upotreba



Sl. 11: Taster

1. Kada se pritisne ovaj taster, uređaj će raditi na nivou 1. brzine.
2. Kada se pritisne ovaj taster, uređaj će raditi na nivou 2. brzine.
3. Kada se pritisne ovaj taster, uređaj će raditi na nivou 3. brzine.
4. Pritisnite ovaj taster za uključivanje ili isključivanje sijalice.



Da biste aktivirali funkciju tajmera, pritisnite i zadržite bilo koji od tastera 1, 2 i 3 na 3 sekunde. Tada će se aktivirati funkcija tajmera od 15 minuta i uređaj će se automatski isključiti nakon 15 minuta.



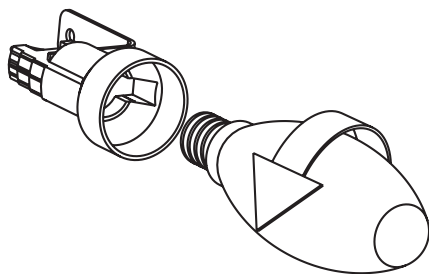
Sve aktivne funkcije koje su radile pre aktiviranja funkcije tajmera će se deaktivirati nakon 15 minuta. Sve aktivne funkcije koje su radile nakon aktiviranja funkcije tajmera će se ponovo aktivirati nakon 15 minuta.

# 11 ZAMENA SIJALICA

## OPASNOST

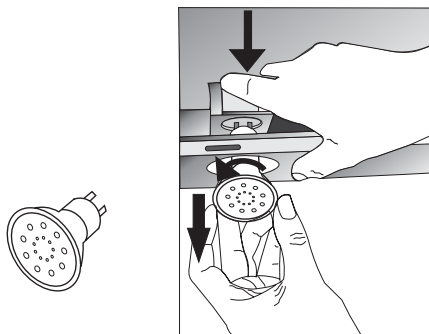
Isključite aspirator iz struje. Sačekajte da se sijalice ohlade pošto mogu da opeku vaše ruke kada su vruće.

### 11.1 Zamena sijalice sa užarenim vlaknom



Sl. 12: Zamena sijalice sa užarenim vlaknom

Skinite aluminijumski umetak filtera. Skinite neispravnu sijalicu i zamenite je novom iste jačine. Sl. 12



### 11.2 Zamena halogene sijalice

Sl. 13: Zamena sijalice sa užarenim vlaknom

Skinite aluminijumski umetak filtera. Skinite neispravnu sijalicu i zamenite je novom iste jačine. Sl. 13

## 12 OVLAŠĆENI TEHNIČKI SERVIS

*Osvetljenje ne radi.*

- Proverite da li je uređaj uključen u struju i da li su osigurači pregoreli.
- Proverite sijalice. Obavezno isključite uređaj iz struje pre obavljanja ove provere. Pritegnite sijalice ako su labave; možete da ih zamenite ako se i dalje ne pale.

*Mogući kvarovi i sve što treba da uradite pre nego što pozovete servis:*

*A) Uređaj uopšte ne radi:*

- Proverite da li je uređaj uključen u struju i da li je utikač dobro pričvršćen u utičnicu.
- Proverite osigurač na koji je proizvod priključen, kao i glavni osigurač u vašoj kući.

Ukoliko uređaj slabo radi  
ili pravi jaku buku dok radi:

- Da li uređaj ima odgovarajući prečnik izduvnog kanala? (min. 120 mm).
  - Da li su metalni filteri čisti? Proverite.
  - Ukoliko koristite aspirator bez izduvnog kanala, pobrinite se da filteri sa aktivnim ugljem ne budu stariji od 6 meseci.
  - Vodite računa da se kuhinja adekvatno provetrava da bi se osigurao protok vazduha.
- Ukoliko niste zadovoljni radom uređaja, kontaktirajte ovlašćeni servis.



## 12.1 Mogući kvarovi i rešenja

| Opis kvara  | Razlog                               | Pomoć  |
|---|--------------------------------------|--|
| Uređaj ne radi                                    | Proverite električne veze.           | Mrežni napon mora da bude 220-240 V i uređaj mora da bude povezan na uzemljenu utičnicu.                                       |
| Rasveta ne radi.                                  | Proverite električne veze.           | Mrežni napon mora da bude 220-240 V i uređaj mora da bude povezan na uzemljenu utičnicu.                                       |
| Rasveta ne radi.                                  | Proverite električne veze.           | Prekidač rasvete mora biti u položaju „on“ (uključeno).  |
| Rasveta ne radi.                                  | Proverite sijalice.                  | Sijalice moraju da budu ispravne.  |
| Usisna snaga uređaja je slaba.                    | Proverite aluminijumski filter.      | Aluminijumski umetak filtera u normalnim uslovima treba da se pere najmanje jednom mesečno.                                    |
| Usisna snaga uređaja je slaba.                    | Proverite kanal za izduvne gasove.   | Kanal za izduvne gasove mora biti otvoren.   |
| Usisna snaga uređaja je slaba.                    | Proverite filter sa aktivnim ugljem. | Kod uređaja kod kojih se koriste filteri sa aktivnim ugljem, pod normalnim uslovima oni moraju da se zamene na svaka 3 meseca. |
| Ne odvodi vazduh (korišćenje bez izduvnog kanala) | Proverite aluminijumski filter.      | Aluminijumski umetak filtera u normalnim uslovima treba da se pere najmanje jednom mesečno.                                    |
| Ne odvodi vazduh (korišćenje bez izduvnog kanala) | Proverite filter sa aktivnim ugljem. | Kod uređaja kod kojih se koriste filteri sa aktivnim ugljem, pod normalnim uslovima oni moraju da se zamene na svaka 3 meseca. |

## 12.2 Tabela sa tehničkim podacima

|                        |                  |
|------------------------|------------------|
| Napon                  | 220 - 240 V 50Hz |
| Klasa izolacije motora | F                |
| Klasa izolacije        | KLASA I          |

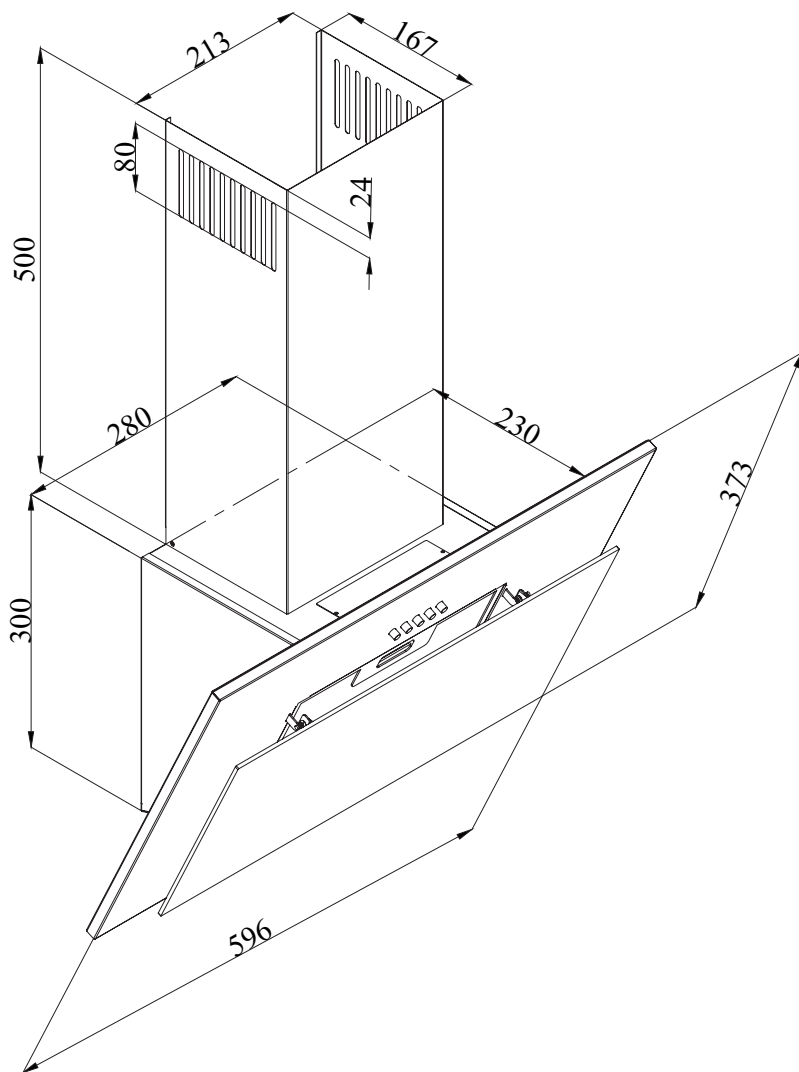


**BTG620BL**

**NAVODILA ZA UPORABO KUHINJSKA NAPA**

|      |  |    |
|------|--|----|
| 1    | TEHNIČNA RISBA                                   | 4  |
| 2    | OPOZORILA IN VARNOSTNI UKREPI                    | 5  |
| 2.1  | Nevarnost smrtnih poškodb, nevarnost zastrupitve | 7  |
| 3    | UPORABA Z ALI BREZ OGLENEGA FILTRA               | 9  |
| 3.1  | Menjava ogljenega filtra                         | 9  |
| 3.2  | Menjava ogljenega filtra                         | 9  |
| 4    | ČIŠČENJE IN PREVENTIVNO VZDRŽEVANJE              | 10 |
| 4.1  | Pranje v stroju za pomivanje posode              | 10 |
| 4.2  | Ročno pranje                                     | 10 |
| 5    | MONTAŽA APARATA                                  | 11 |
| 5.1  | Shema za montažo                                 | 12 |
| 5.2  | Montaža in razpakiranje                          | 12 |
| 5.3  | Nasveti za varčevanje z energijo                 | 12 |
| 6    | VSEBINA EMBALAŽE                                 | 13 |
| 7    | PREGLED DELOV NAPE                               | 14 |
| 8    | MONTAŽA APARATA                                  | 15 |
| 8.1  | Shema montaže in delov                           | 15 |
| 9    | MONTAŽA SPOJNICE ZA ODVODNE KANALE               | 15 |
| 10   | Taster   | 16 |
| 10,1 | 3-hitrostni senzorski izdelek, uporaba           | 17 |
| 11   | MENJAVA ŽARNICE                                  | 18 |
| 11.1 | Menjava žarnice z žarilno nitjo                  | 18 |
| 11.2 | Menjava halogenske žarnice                       | 18 |
| 12   | POOBLAŠČENI TEHNIČNI SERVIS                      | 19 |
| 12.1 | Morebitne okvare in odpravljanje težav           | 20 |
| 12.2 | Tehnična tabela                                  | 20 |

# 1 TEHNIČNA RISBA



SI. 1: TEHNIČNA RISBA

## 2 OPOZORILA IN VARNOSTNI UKREPI

Aparat smejo uporabljati otroci starejši od 8 let in posamezniki brez fizičnih, zaznavnih ali intelektualnih motenj, vendar le pod nadzorom in z navodili za varno uporabo, ter pod pogojem da razumejo nevarnosti.

Izdelek je namenjen izključno uporabi v gospodinjstvu.

Uporabna napetost aparata je 220 240 V pri 50 Hz.

Kabel za napajanje vašega aparata je opremljen z vtikačem, ki ima ozemljitev. Ta vtičnik mora biti vključen v ozemljeno vtičnico.

Vse električne povezave mora opraviti ustrezno usposobljeno osebo.

Nepooblaščen montaža lahko povzroči slabše delovanje ali poškodbe aparata in nesrečo.

Kabel aparata ne sme biti zavozlan ali poškodovan med montažo. Kabla ne smete priključiti v bližini štedilnika, saj lahko tako povzročite topljenje materiala ali požar.

Aparata ne priključujte preden je montaža končana.

Poskrbite da je el. vtičnica lahko dostopna, tako da lahko v sili izključite aparat.

Po daljšem delovanju se ne dotikajte žarnic, saj lahko zaradi visoke temperature povzročijo opekline.

Nape so načrtovane za uporabo v gospodinjstvu, pri običajnem kuhanju. Če se uporabljajo v druge namene, lahko pride do okvare ali prenehanja veljavnosti garancije. Sledite predpisom in odredbam v zvezi z odvajanjem zraka. (To ne velja v primeru uporabe brez ventilatorja.)

Hrana, ki se pri kuhanju zažge, se ne sme pripravljati pod tem aparatom.

Zaženite aparat po postavljanju posod, loncev itn. na štedilnik. V nasprotnem lahko visoka

temperatura povzroči deformacije in nekaterih delih aparata.

Ko odstranite posode in lonce s štedilnika, izklopite aparat.

Ne puščajte vročega olja na štedilniku. Kozice z vročim oljem se lahko samovnamejo in povzročijo požar.

Pri praženju lahko pride do vnetja olja. Bodite pozorni z zavesami in pokrivali.

Poskrbite za pravočasno menjavo filtrov. Filtri, ki se ne zamenjajo pravočasno, predstavljajo požarno nevarnost zaradi v njih nakopičene maščobe.

Ne uporabljajte materiala za filtriranje, ki ni odporen na ogenj, namesto filtrov.

Izdelka ne uporabljajte brez filtrov.

Ne odstranjujte filtrov med uporabo. V primeru požara, izključite aparat in štedilnik.

(Izključite aparat iz el. vtičnice ali z glavnim stikalom)

Če aparata ne čistite redno, lahko predstavlja požarno nevarnost.

Pred vzdrževalnimi dejavnostmi izklopite aparat. (Izključite aparat iz el. vtičnice ali z glavnim stikalom) Negativni tlak v prostoru med uporabo nape in aparatov, ki delujejo z drugih virov el. energije istočasno, ne sme presegati 4 PA (4 k 10 bar).

Če so prisotni aparati, ki uporabljajo gorivo ali plin, kot so sobni grelci, mora biti odvajanje teh aparatov popolnoma ločeno, ali pa morajo biti aparati hermetično zaprti.

Pri povezovanju dimnikov vašega aparata uporabljajte cevi prečnika 150 ali 120 mm.

Odvod mora biti čim krajši in s čim manj koleni. Otroci se ne smejo igrati z aparatom.

Iz varnostnih razlogov za aparat uporabljajte »MAX 6 A« varovalke.

Ne dovolite otrokom blizu embalaže, saj lahko predstavlja nevarnost zanje. Če je poškodovan napajalni kabel, ga mora zamenjati proizvajalec, pooblaščen serviser ali ustrezno usposobljena oseba, da ne bi prišlo do nevarnih situacij.

V primeru požara, izklopite napo in štedilnik ter pogasite ogenj. Nikoli ne uporabljajte vode za gašenje. Izpostavljeni deli aparata so lahko med delovanjem štedilnika vroči.

Ta aparat ne smejo uporabljati posamezniki z zmanjšanimi fizičnimi, zaznavnimi ali intelektualnimi sposobnostmi (vključno z otroci) ali osebe brez ustreznega znanja in izkušenj, razen v primeru, da jih nadzira oseba odgovorna za njihovo varnost.

Pri montaži nape, mora biti med električnim štedilnikom in napo najmanj 65 cm prostora, pri štedilnikih, ki uporabljajo plin ali drugo gorivo pa mora razdalja biti najmanj 75 cm. Izhodni deli nape ne smejo biti povezani na zračne odvode, ki vlečejo druge oblike dima.

Potrebno je biti pozoren pri uporabi z aparati, ki uporabljajo gorivo in zrak (npr. grelci, kotli na plin, dizel, oglje ali drva). To pa zato, ker odvajanje zraka prek nape lahko zmanjša izgorevanje v prostoru.

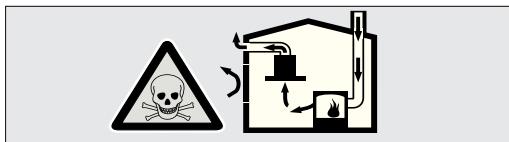
To ne velja za uporabo brez ventilatorja.

Prostor mora imeti zadostno prezračevanje v primeru istočasne uporabe štedilnika, nape in aparatov na plin ali drugo gorivo (to ne velja za aparate, ki povzročajo kroženje zraka v prostoru.)

## 2.1 Nevarnost smrtnih poškodb - nevarnost zastrupitve

### NEVARNOST

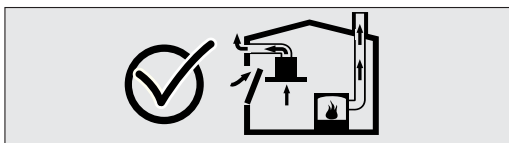
Nevarnost zastrupitve zaradi ponovne absorpcije plinov izgorevanja. Razen v primeru, da je pri odvajanju zraka z napo zagotovljen tudi ustrezen dotok svežega zraka, nape ne uporabljajte istočasno z napravami, ki odvajajo strupene pline skozi dimnik, kot so peči, gorilniki, kotli itn., ki uporabljajo zemeljski plin, nafto, oglje ali drva kot gorivo.



Sl. 2: Nevarnost zastrupitve

Naprave pri katerih kroži zrak (npr. peči, gorilniki, kotli itn., ki uporabljajo zemeljski plin, nafto, oglje ali drva kot gorivo) jemljejo zrak za izgorevanje iz prostora v katerem so nameščeni. Pri delovanju nape se zrak se odvaja iz kuhinje in sosednjih sob. Če ni poskrbljeno za ustrezen dovod zraka, pride do vakuuma. V tem primeru se strupeni plini vračajo v prostor iz dimnika oz. odvoda.

Zaradi tega je potrebno vedno zagotoviti ustrezen dotok svežega zraka. Sl. 3



Sl. 3

### NEVARNOST

#### Nevarnost požara!

Zaradi letečih isker. Namestitev aparata nad štedilniki, ki uporabljajo čvrsto gorivo, kot so drva ali oglje je dovoljena samo če imajo nepredušen pokrov. Potrebno je upoštevati veljavne gradbene, električne, in vodovodne predpise pri montaži.

Če se aparat ne čisti v skladu z navodili, lahko povzroči požar.

### NEVARNOST

#### Nevarnost električnega udara!

Pri poškodbi električnega kabla.

Ne pregibajte in ne gnetite napajalni kabel pri montaži aparata.

### NEVARNOST

#### Nevarnost telesnih poškodb!

Obstaja nevarnost telesnih poškodb pri montaži, zaradi ostrih robov. Pri vgradnji aparata, vedno uporabljajte zaščitne rokavice.

Vse varnostne vijake in pokrove je potrebno namestiti, kot je opisano v navodilih.

## NEVARNOST

### **Nevarnost opeklin, nevarnost električnega udara!**

Pred čiščenjem aparata počakajte, da se ohladi. Izvlecite varovalko ali izklopite aparat iz električnega omrežja. Obstaja nevarnost poškodb zaradi kapljanja na elektronske dele aparata. Nikoli ne čistite upravljalnih elementov z vlažno krpo.

Površina aparata se lahko ob nepravilnem čiščenju poškoduje. Površine iz nerjavečega jekla čistite izključno v smeri brušenja. Ne uporabljajte sredstva za čiščenje nerjavečega jekla na upravljalnih elementih.

Površine lahko poškodujete z grobimi čistilnimi sredstvi ali pripomočki. Nikoli ne uporabljajte pripomočkov za čiščenje, ki so ostri ali zahtevajo ribanje.

## NEVARNOST

### **Nevarnost požara, nevarnost telesnih poškodb!**

Izvlecite varovalko ali izklopite aparat iz električne vtičnice pred vsakršnim popravilom. Popravila mora opraviti pooblaščen servisier ali ustrezno usposobljena oseba.

#### OPOMBA:

*V primeru okvare ali poškodbe aparata, izvlecite varovalko ali izklopite aparat iz električne vtičnice in pokličite pooblaščen servis.*

#### OPOMBA:

*Če je poškodovan napajalni kabel, ga mora zamenjati proizvajalec, pooblaščen servisier ali ustrezno usposobljena oseba, da ne bi prišlo do nevarnih situacij.*

#### OPOMBA:

*V kolikor je poškodovana žarnica na aparatu, izvlecite varovalko ali izklopite aparat iz električne vtičnice. Da ne bi prišlo do preobremenitve ostalih žarnic, takoj zamenjajte poškodovano (počakajte da se ohladi).*

## POZOR

Kadar je uporabljate štedilnik se lahko izpostavljeni deli aparata močno segrejejo.

## NEVARNOST

*Odvodna cev aparata nikoli ne sme biti povezana na dimnik, ki služi za odvajanje dima iz peči ali drugih naprav, ki uporabljajo plin ali druga goriva.*



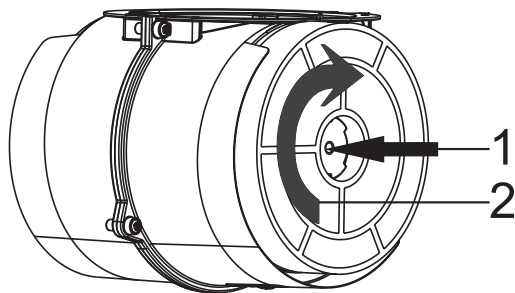
## 3 UPORABA Z ALI BREZ OGLENEGA FILTRA

### 3.1 Menjava ogljenega filtra

Kadar ne uporabljate ventilatorja oz. ne odvajate zraka iz prostora prek nape, je potrebno uporabljati filter z aktivnim ogljem, za recirkulacijo zraka v prostoru. Filter z aktivnim ogljem nabavite pri serviserju ali vašem prodajalcu. Pred menjavo ogljenega filtra izklopite aparat. Ker se ogljeni filter uporablja v kuhinjah brez ventilatorja, ga je potrebno po 3-5 mesecih uporabe zamenjati.

Oglenega filtra nikoli ne perite. V vsakem primeru morajo biti filtri nameščeni na napo tudi v primeru da oglenega filtra ne uporabljate. Ne uporabljajte nape brez filtra za maščobo.

### 3.2 Menjava oglenega filtra



Sl. 4: OGLENI FILTER

Aparat, ki ste ga kupili, je primeren za uporabo z ogljenim filtrom.

1. Namestite ogljeni filter v njegovo ohišje.

Slika 4

2. Obrnite ogljeni filter v smeri urinega kazalca in preverite ali je pravilno nameščen. Slika 4 Če ogljeni filter ni pravilno nameščen, lahko izpade in poškoduje izdelek.

### NEVARNOST

Nikoli ne perite oglenih filtrov. Držite oglene filtre dlje od otrok.

## 4 ČIŠČENJE IN PREVENTIVNO VZDRŽEVANJE

### POZOR

Otroci ne smejo čistiti oz. vzdrževati proizvoda.

- Nikoli ne uporabljajte grobih čistilnih sredstev ali pripomočkov, saj lahko poškodujejo površino izdelka. Nabavite primerna sredstva za čiščenje in zaščito za vaš izdelek od pooblaščenega servisa. Površina aparata in upravljalnih elementov je občutljiva na praske.
- Očistite površine z mehko, vlažno krpo, sredstvom za pranje posode ali blagim sredstvom za čiščenje stekel. Zmehčajte posušeno in zapečeno umazanijo z vlažno krpo. Ne drgnite po aparatu!
- Uporaba suhih krp, grobih gobic, sredstev za ribanje, sredstev ki vsebujejo trdne delce, sodo, kisline, klor ali druge agresivne sestavine, ni primerna.
- Površine iz nerjavečega jekla čistite samo v smeri brušenja.
- Ne uporabljajte sredstev za čiščenje nerjavečega jekla ali mokre krpe na upravljalnih elementih. Čiščenje kovinskih filtrov za maščobo: Kovinski filtri ujamejo delce maščobe iz pare v kuhinji. Pri normalni uporabi (1-2 uri dnevno), je filtre potrebno čistiti približno vsake tri mesece.

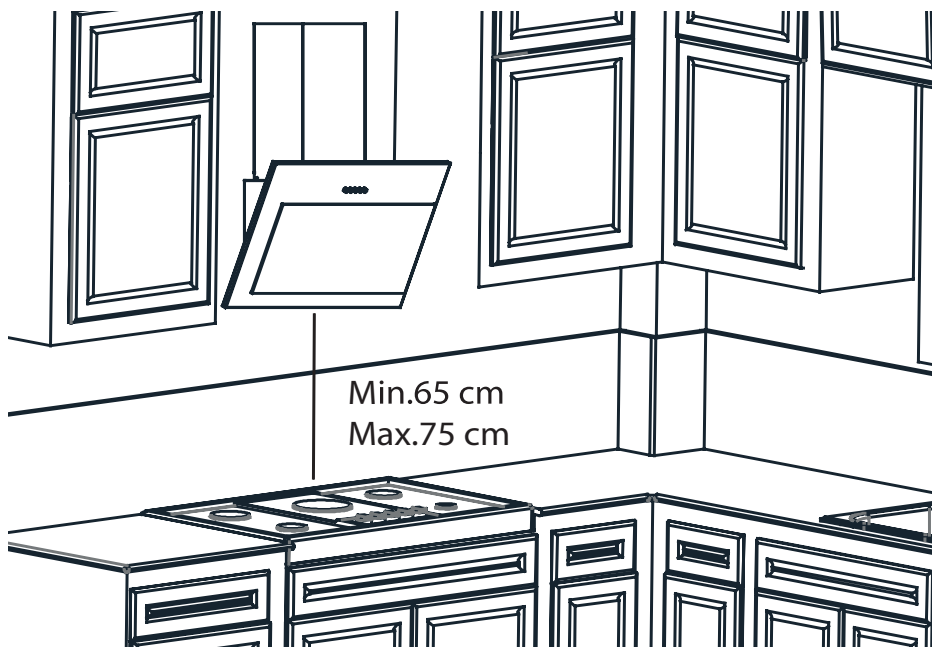
- Ne uporabljajte preveč agresivne, preveč kisle ali bazične raztopine za čiščenje.
  - Pri čiščenju kovinskega filtra za maščobo, očistite tudi naložene delce na notranji strani nape z vlažno krpo.
  - Kovinske filtre za maščobo lahko operete v stroju za pomivanje posode ali ročno.
- #### 4.1 Pranje v stroju za pomivanje posode
- V primeru, da uporabljate stroj za pomivanje posode, lahko pride do blažje izgube barve. To ne vpliva na delovanje kovinskega filtra za maščobo.
  - Ne pomivajte zelo umazanega filtra skupaj s posodo.
  - Filter za maščobo v stroj za pomivanje posode postavite tako, da je dovolj prostora okoli njega. Ne sme biti postavljen tako, da kaj pritiska nanj.

#### 4.2 Ročno pranje

Za odstranjevanje trdovratne umazanije, lahko uporabite poseben razredčilec za olje. Ta izdelek lahko kupite v pooblaščenem prodajnem centru. ■ Zmehčajte umazanijo na kovinskem filtru za olje tako, da ga potopite v toplo vodo in dodate sredstvo za pranje posode.

- Za čiščenje uporabljajte ščetko in popolnoma izpusite tekočino iz kovinskih filtrov za olje.
- Po čiščenju temeljito izperite filtre.

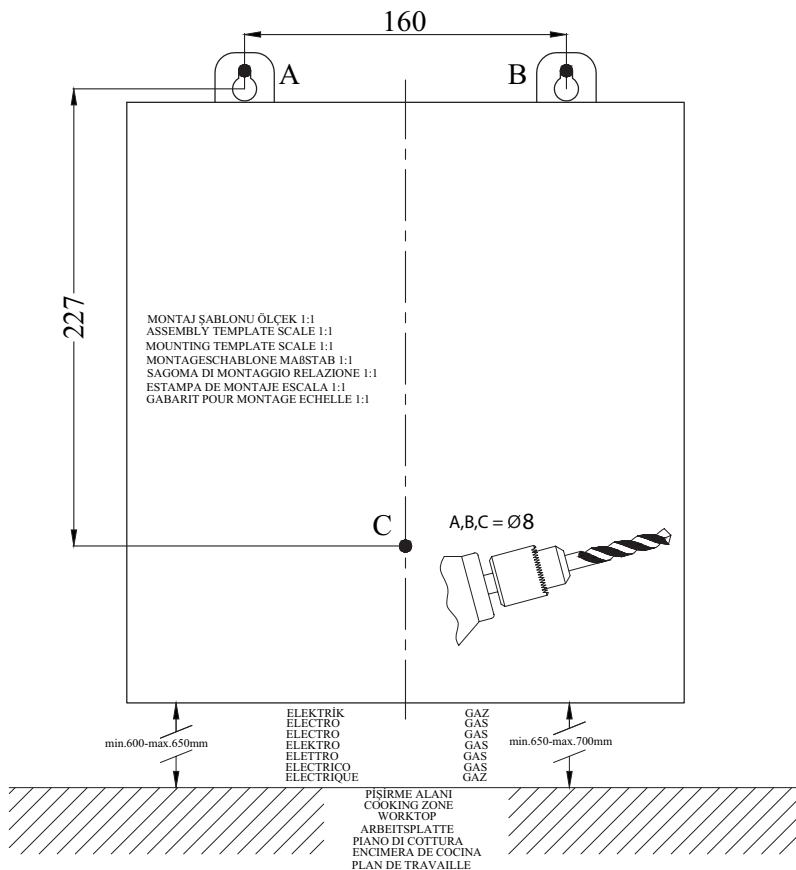
## 5 MONTAŽA APARATA



### Sl. 5: MONTAŽA APARATA

Pri montaži nape mora biti zagotovljeno najmanj 65 cm prostora med izdelkom in štedilnikom, če gre za električni štedilnik, če pa gre štedilnik na plin ali druga goriva, mora biti ta razdalja najmanj 75 cm.

## 5.1 Shema za montažo



### SI. 6: SHEMA MONTAŹE

## 5.2 MontaŹa in razpakiranje

Preverite ali so na aparatu prisotne poĹkodbe.

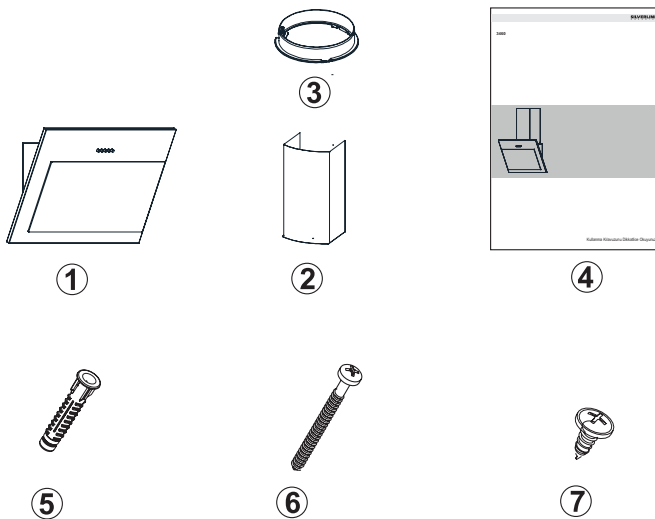
•V kolikor opazite poĹkodbe nastale pri prevozu, to takoj sporoĹite odgovornim osebam.

•Vidne pomanjkljivosti na izdelku morate prav tako nemudoma prijaviti prodajalcu. Ne dovolite otrokom, da se igrajo z embalaŹo !!!

## 5.3 Nasveti za varĹevanje z energijo

- Redno menjajte ogljeni filter.
- Redno Ĺistite aluminjske filtre. MoŹno je, da boste prisiljeni uporabljati napo pri visoki nastavitvi pretoka zraka, saj umazan filter lahko ovira odvod zraka.
- Pravilno uporabljajte nastavitve moĹi delovanja aparata.
- Uporaba viĹjih nastavitev odvajanja zraka bo poveĹala potroĹnjo elektriĹne energije.

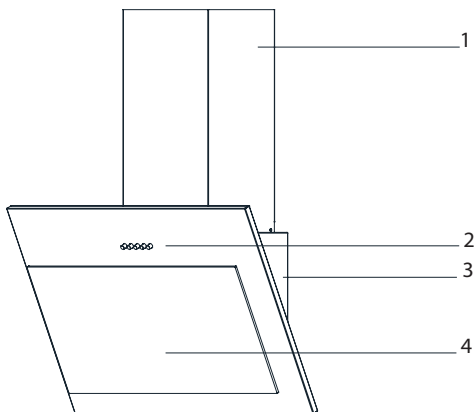
## 6 VSEBINA EMBALAŽE



### SI. 7: VSEBINA EMBALAŽE

1. Aparat
2. Spojnica za odvodne kanale
3. Plastični adapter odvodnega kanala
4. Uporabniški priročnik
5. Plastični zidni vložek  $\varnothing$  8 mm
6. Vijak za montažo na zid 4,90x50 mm
7. Vijak za pritrjevanje ventilatorja od 3,5 x 9,5

## 7 PREGLED DELOV NAPE

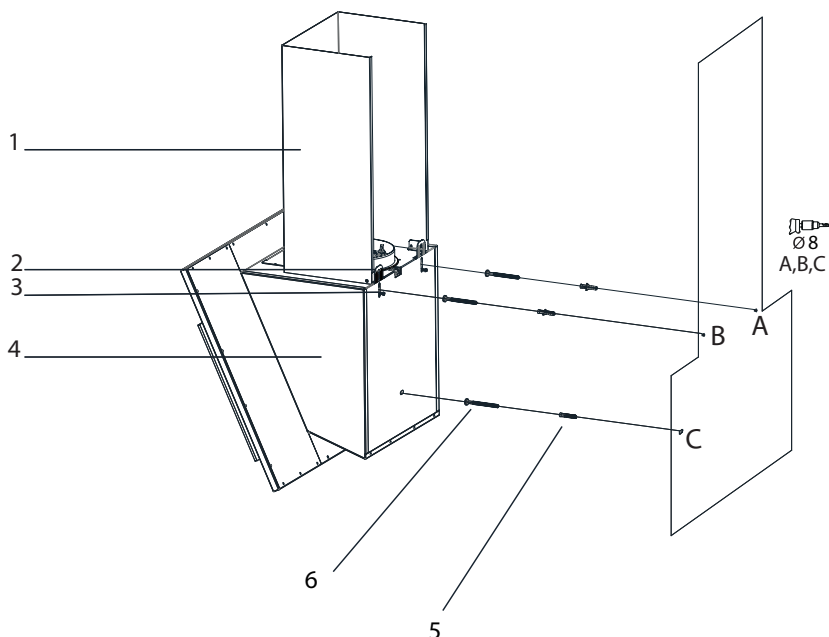


Sl. 8: PREGLED DELOV NAPE

1. Spojnica za odvodne kanale
2. Razpored nadzorne plošče
3. Ohišje
4. Steklo za bočno vsesalno odprtino

## 8 MONTAŽA APARATA

### 8.1 Shema montaže in delov



Sl. 9: Montaža in deli

1. Spojnica za odvodne kanale
2. Plošča nosilca
3. Vijak za ploščo nosilca
4. Ohišje
5. Plastični zidni vložek premera 8 mm
6. Vijak za montiranje na zid 4,9x50 mm

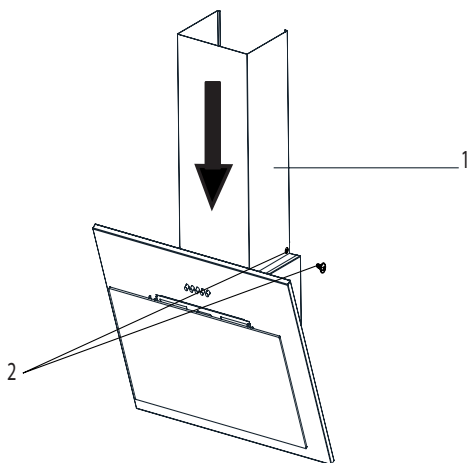
Montirajte napo sledeč shemo za montažo. Pritrdite shemo na zid označeni višini (na shemi preverite minimalne in maksimalne oddaljenosti od stropa). Izvrtajte točke A, B i C. (Sl. 9)

Vstavite zidne vložke premera 8 mm (5) v izvrtane luknje na točkah A, B i C i privijte vijake v točkah A + B, tako da med glavo vijaka in zidom ostane 5 mm prostora (sl. 9).

Prilagodite položaj plošče nosilca za kuhinjsko napo (2) tako da razrahljate vijak plošče nosilca za kuhinjsko napo (3) in pritrdite ploščo nosilca za kuhinjsko napo. Obesite na točke A in B na strani kuhinjske nape. Zategnite vijake za pritrdjevanje A + B v zid in popolnoma pričvrstite aparat v točki C.

## 9 MONTAŽA SPOJNICE ZA ODVODNE KANALE

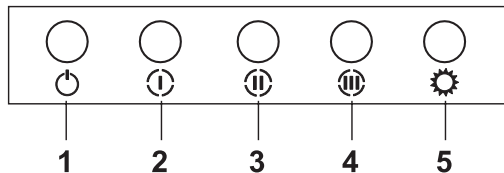
Sl. 10: MONTAŽA SPOJNICE ZA  
ODVODNE KANALE



1. SPOJNICA ZA ODVODNE KANALE
2. Vijaki za pritrjevanje spojnice za odvodne kanale

- Spojnico za odvodne kanale postavite na ohišje v smeri puščice. (Slika 10)
- Pritrdite spojnico za odvodne kanale na ohišje z dvema vijakoma. (2). (Slika 10)

## 10. Stikala

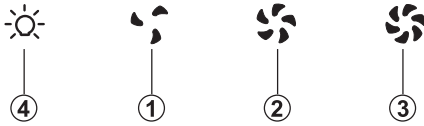


Sl. 12: Stikala

1. Pritisnite ta gumb za vklop/izklop.
2. Kadar pritisnete ta gumb, bo aparat deloval na 1. stopnji hitrosti.
3. Kadar pritisnete ta gumb, bo aparat deloval na 2. stopnji hitrosti.
4. Kadar pritisnete ta gumb, bo aparat deloval na 3. stopnji hitrosti.
5. Pritisnite ta gumb za vklop/izklop žarnice.



## 10.1. 3-hitrostni senzorski izdelek, uporaba



Sl. 11: Stikala

1. S tem gumbom se sproži delovanje na prvi stopnji hitrosti.
2. S tem gumbom se sproži delovanje na drugi stopnji hitrosti.
3. S tem gumbom se sproži delovanje na tretji stopnji hitrosti.
4. Stikalo za osvetlitev.



Za aktivacijo funkcije programske ure, pritisnite in držite katerikoli od gumbov 1,2 ali 3 pritisnjen 3 sekunde.

Tako boste sprožili funkcijo programske ure, ki bo samodejno izključila napo po 15 minutah delovanja.



Vse funkcije, ki so bile aktivne preden ste aktivirali funkcijo programske ure se bodo izključile po izteku 15-ih minut. Vse funkcije, ki so bile aktivne po aktivaciji programske ure bodo nadaljevale z delovanjem po izteku 15-ih minut.

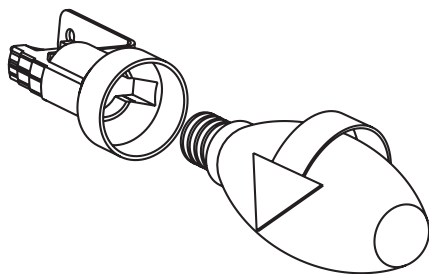
# 11 MENJAVA ŽARNIC

## NEVARNOST

Izklopite napo iz električnega omrežja.

Počakajte, da se žarnice ohladijo, da ne bi prišlo do opeklin pri rokovanju.

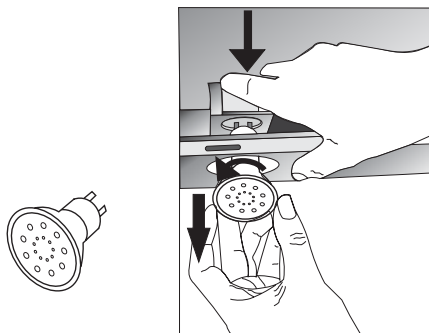
### 11.1 Menjava žarnice z žarilno nitjo



Sl. 12: Menjava žarnice z žarilno nitjo

Odstranite aluminijsko kaseto filtra.

Odstranite nedelujočo žarnico in namestite novo žarnico iste moči. Sl. 12



### 11.2: Menjava halogenske žarnice

Odstranite kaseto aluminijskega filtra.

Odstranite poškodovano žarnico in jo zamenjajte z novo iste moči. Slika 13

## 12 POOBLAŠČENI SERVIS

- Če ne deluje osvetlitev:

Preverite ali je vtikač priključen v električno vtičnico ter preverite varovalke.

- Preverite žarnice. Prepričajte se, da je aparat izključen preden preverite žarnice. Zategnite žarnice če je to potrebno. Če tudi po tem ne delujejo, jih zamenjajte.

### **Možne okvare in ukrepi preden pokličete servis:**

#### **A) Aparat ne deluje**

- Preverite ali je aparat vklopljen in ali je vtikač dobro priključen v električno vtičnico.

- Preverite varovalke aparata in glavne varovalke v vašem domu.

#### **Če aparat slabo deluje ali je pri delovanju glasen:**

- Ali je dovolj velik premer ventilatorja? (min 120 mm).

- Preverite ali so kovinski filtri čisti.

- Če aparat uporabljate brez ventilatorja, se prepričajte ali ogleni filtri niso starejši od šestih mesecev.

- Poskrbite, da je kuhinja dobro prezračena. Če še vedno niste zadovoljni z delovanjem aparata, stopite v stik s pooblaščenim servisom.

## 12.1 Morebitne težave in odpravljanje okvar

| Reševanje težave                               | Vzrok                            | Pomoč   |
|--|----------------------------------|---|
| Aparat ne deluje.                              | Preverite el. napajanje.         | Napetost el. napajanja mora biti 220-240V, proizvod mora biti povezan na vtičnico z ozemljitvijo.                                   |
| Osvetlitev ne deluje.                          | Preverite el. napajanje.         | Napetost el. napajanja mora biti 220-240V, proizvod mora biti povezan na vtičnico z ozemljitvijo.                                   |
| Osvetlitev ne deluje.                          | Preverite el. napajanje.         | Stikalo za osvetlitev mora biti na položaju »on« (vključeno)  |
| Osvetlitev ne deluje.                          | Preverite žarnice.               | Žarnice morajo biti nepoškodovane   |
| Aparat slabo vleče zrak.                       | Preverite aluminijški filter.    | Kaseta aluminijškega filtra se mora prati vsaj enkrat mesečno pri normalnih pogojih uporabe   |
| Aparat slabo vleče zrak.                       | Preverite dimnik za odvod zraka. | Vod za odvajanje zraka mora biti odprt  |
| Aparat slabo vleče zrak.                       | Preverite ogljeni filter.        | Pri izdelkih, na katerih se uporablja ogljeni filter, se ti filtri morajo menjati na vsake tri mesece pri normalnih pogojih uporabe |
| Aparat ne izpušča zraka (uporaba brez dimnika) | Preverite aluminijški filter.    | Kaseta aluminijškega filtra se mora prati vsaj enkrat mesečno pri normalnih pogojih uporabe   |
| Aparat ne izpušča zraka (uporaba brez dimnika) | Preverite ogljeni filter.        | Pri izdelkih, na katerih se uporablja ogljeni filter, se ti filtri morajo menjati na vsake tri mesece pri normalnih pogojih uporabe |

### 12.2 Tehnična tabela

|                          |                    |
|--------------------------|--------------------|
| Napetost                 | 220 – 240 V, 50 Hz |
| Razred izolacije motorja | F                  |
| Razred izolacije         | Razred I           |



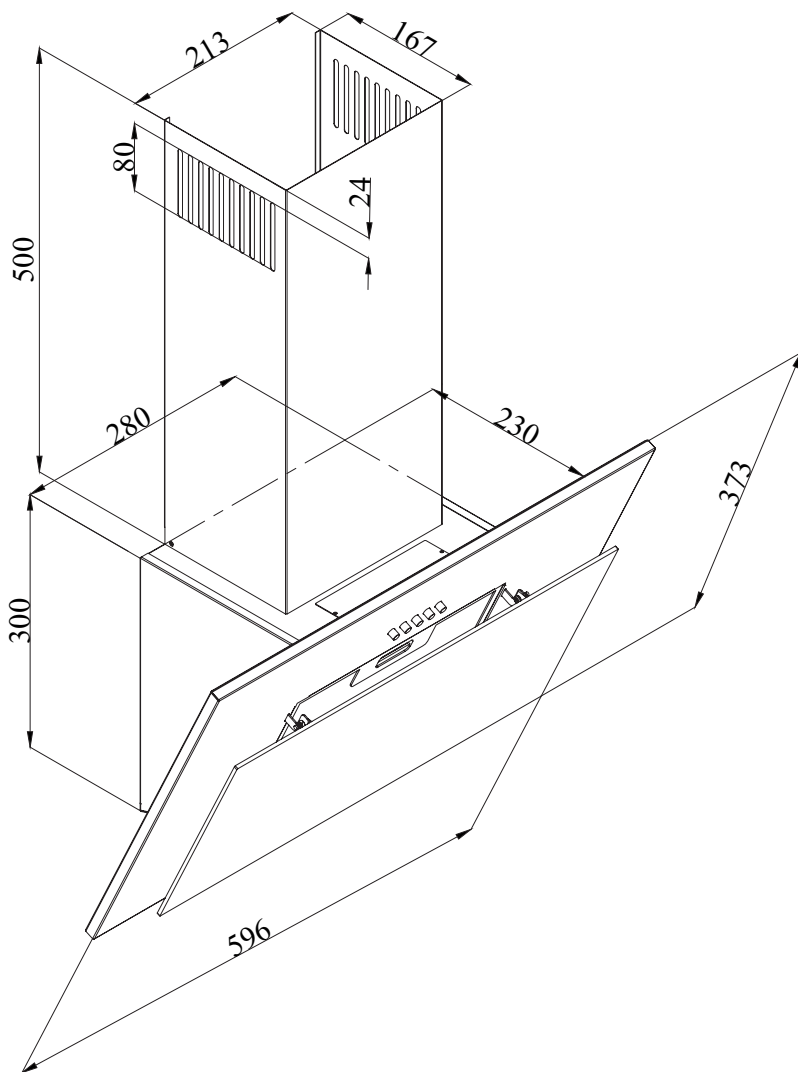
**BTG - 620 BL**

UPUTE ZA UPORABU NAPA

|       |   |    |
|-------|---|----|
| 1     | TEHNIČKI CRTEŽ                                | 4  |
| 2     | UPOZORENJA I SIGURNOSNE MJERE                 | 5  |
| 2.1   | Opasnost po život, opasnost od trovanja       | 7  |
| 3     | KORIŠTENJE SA I BEZ FILTERA SAAKTIVNIM UGLJEM | 9  |
| 3.1   | Zamjena filtera sa aktivnim ugljem            | 9  |
| 3.2   | Zamjena filtera sa aktivnim ugljem            | 9  |
| 4     | ČIŠĆENJE I PREVENTIVNO ODRŽAVANJE             | 10 |
| 4.1   | Pranje u perilici posuđa                      | 10 |
| 4.2   | Ručno pranje                                  | 10 |
| 5     | INSTALACIJA UREĐAJA                           | 11 |
| 5.1   | Šablon za montažu                             | 12 |
| 5.2   | Instalacija i raspakivanje uređaja            | 12 |
| 5.3   | Preporuke za štednju energije                 | 12 |
| 6     | SADRŽAJ PAKIRANJA                             | 13 |
| 7     | PREGLED DIJELOVA NAPE                         | 14 |
| 8     | MONTAŽA UREĐAJA                               | 15 |
| 8.1   | Šema montaže i komponente                     | 15 |
| 9     | MONTAŽA SPOJNOG LIMA ZA IZDUVNE KANALE        | 15 |
| 10.   | Taster  | 16 |
| 10,1. | 3-brzinski senzorski prekidač, uporaba        | 17 |
| 11    | ZAMJENA ŽARULJA                               | 18 |
| 11.1  | Zamjena žarulje sa užarenim vlaknom           | 18 |
| 11.2  | Zamjena halogene žarulje                      | 18 |
| 12    | OVLAŠTENI TEHNIČKI SERVIS                     | 19 |
| 12.1  | Mogući kvarovi i rješenja                     | 20 |
| 12.2  | Tabela sa tehničkim podacima                  | 20 |



# 1 TEHNIČKI CRTEŽ



SI. 1: TEHNIČKI CRTEŽ



## 2 UPOZORENJA I MJERE BEZBJEDNOSTI

- Ovaj aparat mogu koristiti samo djeca starija od 8 godina i pojedinci bez fizičkih, čulnih ili mentalnih nedostataka, sa potrebnim iskustvom i znanjem, onda kada su im dati nadzor ili upute o bezbjednom korištenju i konstatirano je da razumiju opasnosti.
- Ovaj proizvod je namijenjen za kućansku uporabu.
- Uporabni napon uređaja je 220-240 Volt~50 Hz.
- Kabel za napajanje vašeg proizvoda je opremljen priključkom za uzemljenje. Taj kabel mora definitivno biti priključen na uzemljenu utičnicu.
- Kompletna električna instalacija mora biti postavljena od strane kvalificiranog električara.
- Instalacija od strane neovlaštenih lica može da dovede do lošeg rada uređaja, oštećenja proizvoda i nesreća.
- Napojni kabel uređaja ne smije biti zapetljan ili polomljen tijekom montaže. Kabel za napajanje ne smije da se postavlja blizu štednjaka. U takvim slučajevima, može doći do požara.
- Nemojte priključivati uređaj prije nego što je montaža gotova.
- Uvjerite se da mjesto montaže omogućava korisniku da lako isključuje napojni kabel u slučaju opasnosti.
- Ne dirajte žarulje aparata kada su duže vrijeme radile. Pošto mogu biti vruće, opeći će vam ruke.
- Kuhinjske nape su projektirane za normalno kuhanje i kućansku uporabu. Ako se koriste u druge svrhe može doći do kvara ili prestanka jamstva.

- Pridržavajte se pravila i uputa relevantnih institucija u vezi ispuštanja zraka u atmosferu. (Ovo ne važi za korištenje bez ventilatora.)
- Zapaljive hrana ne smije da se kuha ispod uređaja.
- Pokrenite aparat nakon što ste stavili posude, lonce itd. na štednjak. U suprotnom, visoka temperatura može da izazove deformacije na nekim dijelovima uređaja.
- Isključite grijač štednjaka prije no što ste uklonili posude, lonce itd. sa štednjaka.
- Ne ostavljajte vruće ulje na štednjaku. Posude sa vrelim uljem mogu izazvati požar.
- Pošto ulje može da izazove požar posebno kad pržite hranu, budite pažljivi sa stolnjacima i zavjesama.
- Obezbjedite pravovremenu zamjenu filtera. Filteri koji nisu zamijenjeni na vrijeme predstavljaju rizik od požara, zbog nagomilane masti u njima.
- Nemojte koristiti materijal za filtriranje koji nije otporan na vatru umesto filtera.
- Nemojte koristiti ovaj proizvod bez filtera, i ne uklanjajte filtere kada je proizvod u uporabi.
- U slučaju deflagracije, prekinite dovod energije do nape i štednjaka. (Isključite uređaj ili isključite glavni prekidač).
- Ako ne čistite aparat redovito, on može predstavljati rizik od požara.
- Isključite aparat prije radova na održavanju. (Isključite uređaj ili isključite glavni prekidač).
- Negativan pritisak u sobi, dok su istovremeno uključeni napa električnog štednjaka i uređaji koji rade na drugim izvorima električne energije, ne smije da pređe 4 PA (4 k 10 bar).
- Ako postoje uređaji koji koriste gorivo ili plin u oblasti gde se koristi vaš uređaj, kao što su sobne grijalice na primjer, oni moraju biti potpuno izolirani od izduvnog puta ovog uređaja

ili hermetični.

- Kada pravite ventilacijski priključak na vaš uređaj, koristite cijevi prečnika 150mm ili 120 mm.
- Dužina cijevi kao i broj pregiba moraju biti što manji.
- Djeca se ne smiju igrati sa aparatom.
- Iz bezbjednosnih razloga, koristite „MAX 6 A“ osigurač u kuhinjskoj napi.
- Držite ambalažni materijal dalje od djece jer to može biti opasno.
- Ako je oštećen kabel napajanja, mora biti zamijenjen od strane proizvođača, njegovog servisnog agenta ili bilo kog osoblja ekvivalentnih kvalifikacija, da bi se izbjegla bilo kakva opasna situacija.
- U slučaju deflagracije, prekinite dovod energije do nape i štednjaka i ugasite vatru. Nikada ne koristite vodu za gašenje vatre.
- Dostupni dijelovi mogu biti vrući kada radi štednjak.
- Ovaj aparat nije predviđen za korištenje od strane osoba sa fizičkim, mentalnim ili čulnim invaliditetom (uključujući i djecu) ili sa nedostatkom potrebnog iskustva i znanja, osim ako su pod nadzorom osobe koja je odgovorna za njihovu sigurnost.
- Kada se montira napa, mora da postoji najmanje 65 cm razdaljine između proizvoda i bilo koje vrste električnih štednjaka i 75 cm za štednjake koji rade na plin ili druga goriva.
- Izlazni dijelovi nape ne smiju biti povezani na zračne kanale koji uključuju druge oblike dima.
- Mora se voditi računa kada se uređaj koristi istovremeno sa drugim uređajima (npr. grijači, bojleri koji rade na plin, dizel gorivo, ugalj ili drva) koji koriste isti zrak u istom prostoru kao i uređaj. To je zato što se sagorijevanje može umanjiti kada se u prostoriju otpušta

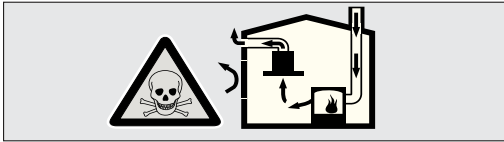
zrak iz nape.

- Ovo ne važi za korištenje bez ventilatora.
- Prostorija mora imati dovoljnu ventilaciju kada se napa i uređaji koji rade na plin i druga goriva koriste u isto vrijeme (ovo nije obavezno za uređaje koji vrše cirkulaciju zraka u prostoriji).
- Istovremeni rad više od jednog štednjaka na plin dovodi do stvaranja visokih temperatura. Ventilacioni aparat postavljen na površinu štednjaka može stoga biti oštećen ili spaljen. Nemojte koristiti dva štednjaka na plin pri visokoj temperaturi duže od 15 min. Jedan veliki grijač sa više od 5kW (radne) snage generiše snagu jednaku dva plinska grijača.

## 2.1 Opasnost po život, opasnost od trovanja

### ⚠ OPASNOST

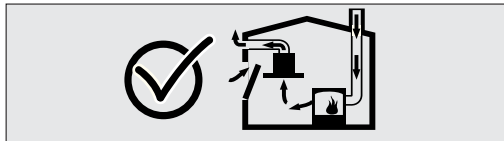
Postoji opasnost po život i opasnost od trovanja zbog ponovne apsorpcije plinova sagorijevanja. Osim ukoliko je adekvatan ulaz zraka obezbjeđen tijekom izlaska zraka, uređaj ne koristite istovremeno sa uređajima koji izduvavaju otrovne plinove kroz ventilator kao što su ventilacione grijalice, bojleri i sl. koji sagorijevaju plin, ulje, drvo ili ugalj.



Slika 2: Opasnost od trovanja

Uređaji u kojima cirkulira zrak (npr. grijalice, bojleri koji rade na plin, ulje, drvo ili ugalj) uzimaju zrak za sagorijevanje iz mjesta instalacije i izbacuju izduvne plinove kroz sustav za ispuštanje zraka (npr. ventilator). Zrak se apsorbira iz kuhinje i soba pored kroz napu u radu. Ukoliko adekvatan ulaz zraka nije predviđen javlja se vakuum. U tom slučaju, otrovni plinovi se apsorbiraju iz ventilatora i kanala za izduvavanje zraka i ponovo ulaze u kuću. Slika 2

Iz tog razloga, uvijek treba osigurati adekvatan unos svježeg zraka. Slika 3



Slika 3

### ⚠ OPASNOST

#### Opasnost od požara!

Zbog iskri, instalacija uređaja na grijnoj opremi koja se zagrijeva pomoću čvrstog goriva (npr. drvo ili ugalj) može biti dozvoljena samo ako postoji ne odvojiv poklopac. Potrebno je obratiti pažnju na postojeće građevinske propise i propise za lokalne kompanije za električnu energiju i plin prilikom montaže.

Ako uređaj nije očišćen u skladu sa uputama za čišćenje, može izazvati požar.

### ⚠ OPASNOST

#### 2.2 Opasnost od strujnog udara!

Nemojte savijati ni zapetljivati kabel za povezivanje tijekom montaže zbog opasnosti od oštećenja kabela.

### ⚠ OPASNOST

#### 2.3 Opasnost od fizičke povrede!

- Postoji opasnost od povreda tijekom montiranja zbog oštih rubova. Koristite zaštitne rukavice tijekom ugradbe uređaja.
- Sve sigurnosne zavrtnje i poklopce treba montirati kao što je opisano u uputama za rukovanje zbog rizika od padanja uređaja.

**⚠ OPASNOST****2.4 Opasnost od opekotina, opasnost od strujnog udara!**

- Sačekajte da se uređaj ohladi prije čišćenja i održavanja. Isključite osigurač ili isključite uređaj iz struje.
- Postoji opasnost od oštećenja zbog vlažnog kapanja na elektronske komponente. Nemojte čistiti kontrolne elemente vlažnom krpom.
- Površina može da se ošteti kao rezultat pogrešnog čišćenja. Čistite površine od nehrđajućeg čelika samo u pravcu brušenja. Nemojte koristiti sredstva za čišćenje nehrđajućeg čelika na kontrolnim elementima.
- Površina može da se ošteti kao rezultat sredstva za čišćenje koja su agresivna i abrazivna. Nikad ne koristite sredstva za čišćenje koja su oštra ili zahtijevaju ribanje.
- Postoji opasnost od oštećenja zbog povratnog kapanja kondenzata. Montirajte kanal za izlaz zraka prema dolje u odnosu na uređaj (nagib od 1°).

**⚠ OPASNOST****2.5 Opasnost od požara i fizičke povrede!**

U slučaju popravki koje nisu u skladu sa zahtijevanim pravilima, isključite osigurač ili naponski kabel vašeg aparata. Popravke uvijek treba da obavlja samo ovlašteni servis ili ovlašteni stručnjak.

**NAPOMENA**

*U slučaju greške ili oštećenja uređaja, isključite osigurač ili isključite uređaj iz struje kod vanrednih popravki i pozovite ovlašteni servis.*

**NAPOMENA**

*Ako je oštećen kabel napajanja, mora biti zamijenjen od strane proizvođača, njegovog servisnog agenta ili bilo kog osoblja ekvivalentnih kvalifikacija, da bi se izbjegla bilo kakva opasna situacija.*

**NAPOMENA**

*Ukoliko je žarulja uređaja oštećena, isključite osigurač ili isključite uređaj iz struje. Da biste izbjegli preopterećenje ostalih žarulja, odmah zamijeniti pokvarenu žarulju (sačekajte da se žarulja ohladi)*

**⚠ OPASNOST**

Kada se koriste sa štednjakom, dostupni dijelovi uređaja se mogu ugrijati.

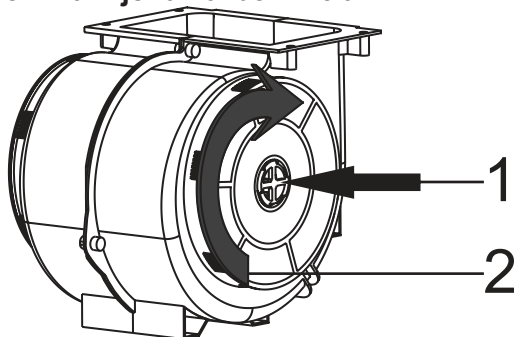
**OPASNOST**

Odvodna cijev za zrak ovog uređaja nikada ne smije da bude povezana unutar ventilatora za izbacivanje plinova koji izlaze iz uređaja koji koriste plin ili druga goriva.

### 3.1 Zamjena karbon filtra

Kada nema ventilatora, filter sa aktivnim ugljem treba koristiti da bi se ponovo poslao unutarnji zrak putem filtriranja. Filtar sa aktivnim ugljem treba biti nabavljen od servisa ili od vašeg distributera. Isključite aparat prije zamjene karbon filtra. Budući da se karbon filter koristi u kuhinjama bez ventilacije, mora se zamijeniti na svakih 3-5 mjeseci u zavisnosti od uporabe. Karbon filter nikada nemojte prati. Filteri masnoća moraju biti instalirani na proizvodu, bez obzira da li se koriste karbon filteri ili ne. Ne koristite proizvod bez filtera masnoća.

### 3.2 Zamijena karbon filtra



Slika 6: karbon filter

Uređaj koji ste kupili je pogodan za uporabu ugljen-filtera.

1. Stavite karbon filter u njegovo kućište. Slika 6
2. Okrenite karbon filter u pravcu kazaljke na satu i provjerite da li je potpuno postavljen. Slika 6

*Ako nije u potpunosti postavljen, karbon filter može da padne i oštetiti proizvod.*

#### **⚠ OPASNOST**

Nemojte prati karbon filtere. Držite karbon filter van domašaja djece.



## 4 ČIŠĆENJE I PREVENTIVNO ODRŽAVANJE

### OPREZ

Čišćenje i servisiranje koje obavlja korisnik ne treba da obavljaju djeca koja nisu pod nadzorom.

- Može doći do oštećenja površine zbog agresivnih ili abrazivnih sredstava za čišćenje. Nikada ne koristite agresivna i abrazivna sredstva za čišćenje. Potražite sredstva za čišćenje i zaštitu koja su pogodna za vaš uređaj kod ovlaštenog servisa. Površina uređaja i kontrolnih jedinica je osjetljiva na ogrebotine.
- Površine čistite mekom, vlažnom krpom, sredstvom za pranje sudova ili blagim sredstvom za čišćenje stakla. Sasušenu i zaljepljenu prljavštinu omekšajte vlažnom krpom. Nemojte strugati!
- Korištenje suhih krpa, spužvi koje mogu da izazovu ogrebotine, sredstava koja zahtijevaju trljanje, sredstava za čišćenje koja sadrže pijesak, sodu, kiselinu, klor ili druge jake supstance nije prikladno.
- Površine od nehrđajućeg čelika čistite samo u smjeru četkanja.
- Za kontrolne jedinice nemojte koristiti sredstva za čišćenje nehrđajućeg čelika i vlažne krpe. Čišćenje metalnih filtera za ulje. Korišćeni filteri za ulje hvataju samo čestice ulja koje se nalaze u vlažnom zraku i pari u kuhinji. Čistite metalne filtere za ulje na svaka tri mjeseca, kod normalnog korištenja (1 do 2 sata dnevno). - Nemojte koristiti previše jaka, kisela sredstva niti sredstva za čišćenje na bazi klora.

- Tijekom čišćenja metalnog filtera za ulje, vlažnom krpom očistite rešetke na metalnim filterima za ulje.

- Metalne filtere za ulje možete oprati u perilici posuđa.

### 4.1 Pranje u perilici posuđa

U slučaju pranja u perilici posuđa, može doći do blagog gubitka boje. To nema uticaja na funkcioniranje metalnog filtera za ulje.

- Veoma zaprljane metalne filtere za ulje nemojte prati zajedno sa sudovima.

- Metalne filtere za ulje stavite u perilicu posuđa tako da stoje slobodno.

- Metalni filteri za ulje treba da se stave u mašinu za pranje sudova bez ometanja.

### 4.2 Ručno pranje

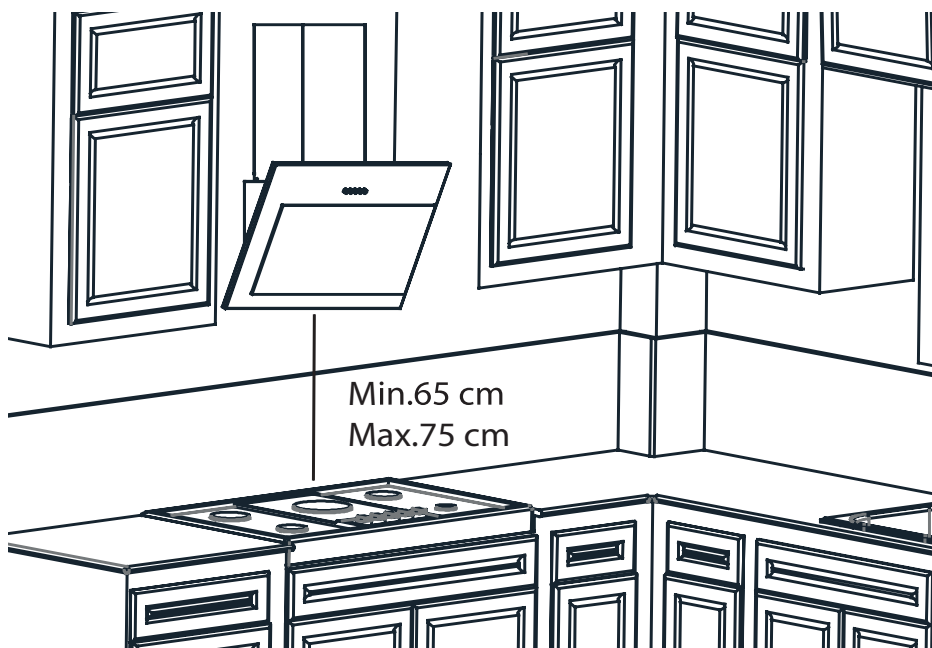
Za uklanjanje tvrdokornih mrlja, možete da koristite specijalni rastvarač ulja. Ovaj proizvod možete kupiti u ovlaštenom prodajnom centru.

■ Omekšajte mrlje na metalnom filteru za ulje tako što ćete ga staviti u toplu vodu sa deterdžentom za pranje sudova.

■ Za čišćenje koristite četku i potpuno ispuštite tekućinu iz metalnih filtera za ulje.

■ Nakon čišćenja, temeljno isperite filtere.

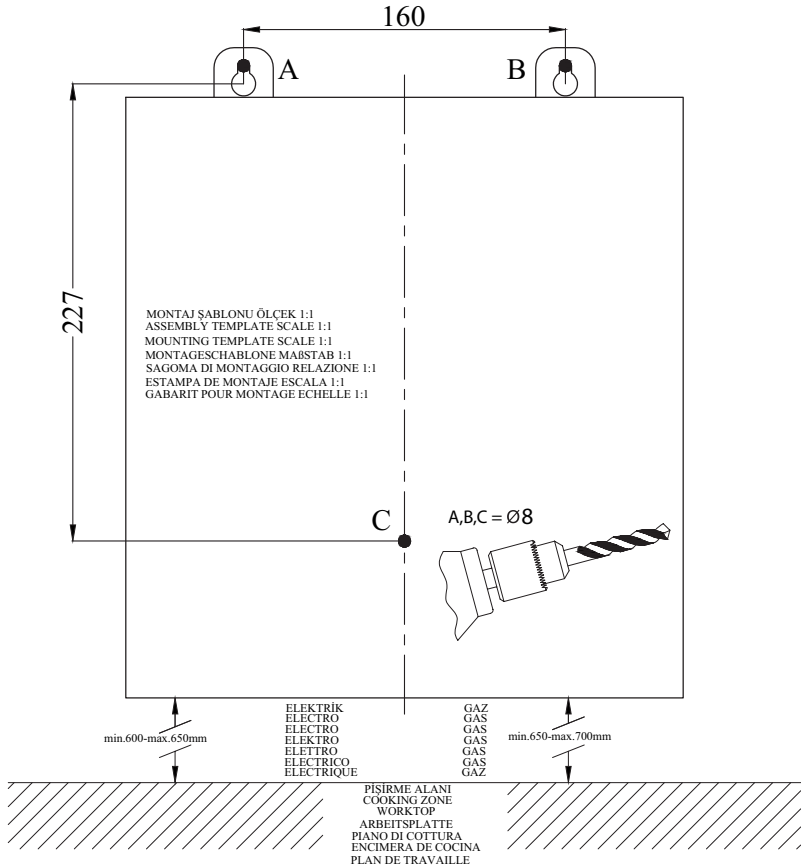
## 5 INSTALACIJA UREĐAJA



Sl. 5: INSTALACIJA UREĐAJA

Prilikom montaže nape, između uređaja i električnih štednjaka mora da se ostavi najmanje 65 cm prostora ili 75 cm prostora između uređaja i štednjaka koji rade na plin ili druga goriva. Sl. 5

## 5.1 Šablon za montažu



### SI. 6: ŠEMA MONTAŽE

## 5.2 Instalacija i raspakivanje uređaja

Provjerite da li postoje bilo kakva oštećenja na uređaju.

- Oštećenja prilikom transporta odmah moraju da se prijave osobi odgovornoj za transport.

- Vidljivi nedostaci moraju da se prijave i prodavcu.

- Ne dozvolite djeci da se igraju ambalažom !!!

## 5.3 Preporuke za štednju energije

Redovito mijenjajte filtere sa aktivnim ugljem.

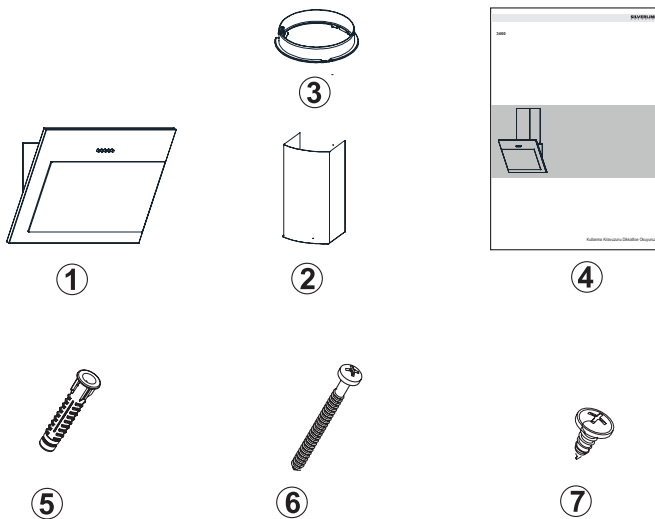
- Redovito čistite aluminijske filtere. Pošto prljavi filteri blokiraju protok zraka, možda ćete morati da uključite uređaj da radi na većoj brzini.

Uređaj koristite na normalnim brzinama.

- Korištenje većih brzina će povećati potrošnju električne energije.



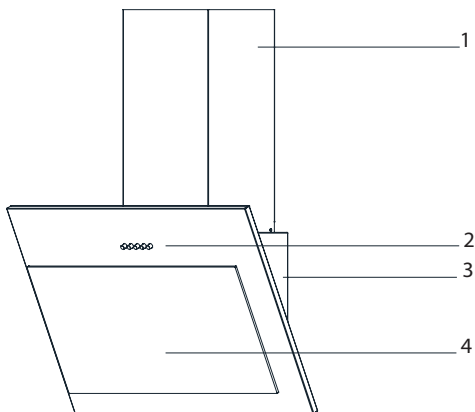
## 6 SADRŽAJ PAKOVANJA



### SI. 7: SADRŽAJ PAKOVANJA

1. Uređaj
2. Spojni lim za izduvne kanale
3. Adapter izduvnog kanala od plastike
4. Upute za uporabu
5. Plastični tipl Ø8 mm
6. Zavrtanj za zidnu montažu 4,90x50 mm
7. Zavrtanj za spajanje izduvnih kanala od 3,5 x 9,5

## 7 PREGLED DIJELOVA NAPE

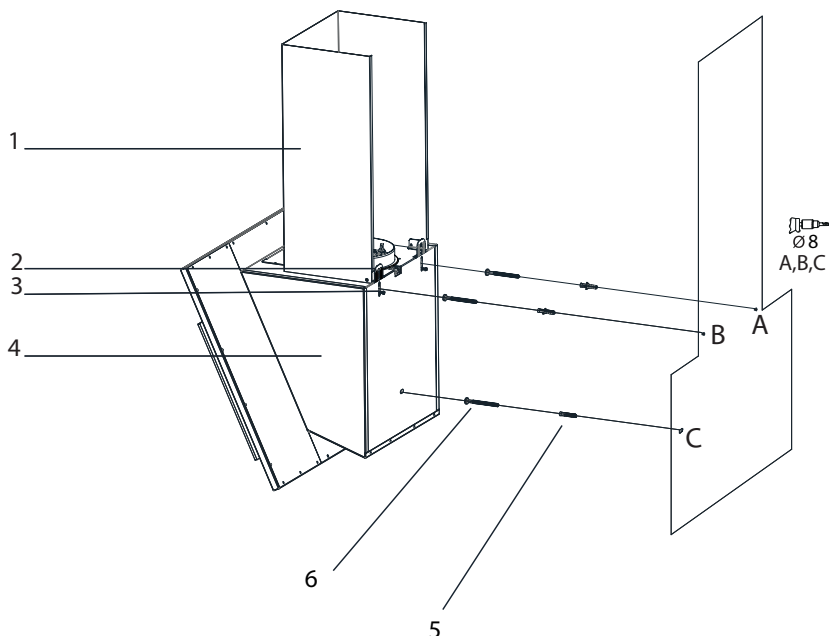


Sl. 8: PREGLED DijELOVA NAPE

1. Spojni lim za izduvne kanale
2. Raspored kontrolne ploče
3. Kućište
4. Staklo za bočni usisni otvor

## 8 MONTAŽA UREĐAJA

### 8.1 Šema montaže i komponente



#### Sl. 9: INSTALACIJA I KOMPONENTE

1. Spojni lim za izduvne kanale
2. Ploča nosača
3. Zavrtnanj za ploču nosača
4. Kućište
5. Plastični tipl od 8 mm
6. Zavrtnanj za zidnu montažu 4,9x50 mm

Montirajte napu pomoću šeme za montažu. Zakačite šemu montaže na zid na naznačenoj visini (u šemi za montažu pogledajte minimalne i maksimalne udaljenosti od plafona). Izbušite točke A, B i C. (Sl. 9)

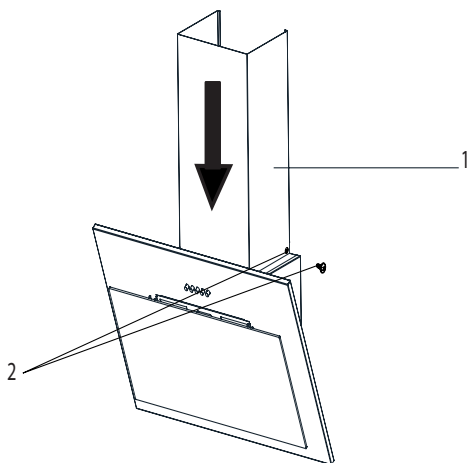
Umetnite tiplove od 8 mm (5) u izbušene rupe na mjestima A, B i C i zategnite zavrtnje u točkama A + B tako da između glave zavrtnja i zida ostane razmak od 5 mm (sl. 9).

Prilagodite položaj ploče nosača za kuhinjsku napu (2) olabavlivanjem zavrtnja ploče nosača za kuhinjsku napu (3) i učvrstite ploču nosača za napu. Okačite na rupe A i B na strani kuhinjske nape. Zategnite zavrtnjeve za fiksiranje A + B u zid i potpuno pričvrstite uređaj u točki C.

## 9 MONTAŽA SPOJNOG LIMA

### ZA IZDUVNE KANALE

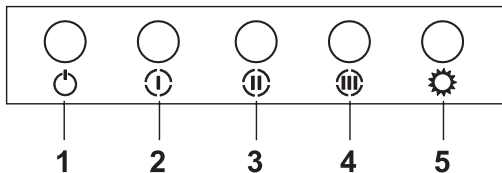
Sl. 10: MONTAŽA SPOJNOG LIMA ZA IZDUVNE KANALE



1. SPOJNI LIM ZA IZDUVNE KANALE
2. Zavrtnji za učvršćivanje spojnog lima za izduvne kanale

- Spojni lim za izduvne kanale postavite na kućište u smjeru strelice. (Slika 10)
- Montirajte spojni lim za izduvne kanale na kućište proizvoda pomoću 2 zavrtnja (2). (Slika 10)

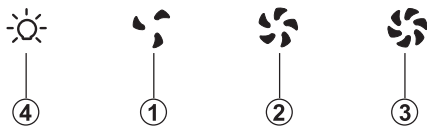
### 10. Taster




Sl. 12: Taster

1. Pritisnite ovaj taster da biste resetirali uređaj .
2. Kada se pritisne ovaj taster, uređaj će raditi na razini 1. brzine.
3. Kada se pritisne ovaj taster, uređaj će raditi na razini 2. brzine.
4. Kada se pritisne ovaj taster, uređaj će raditi na razini 3. brzine.
5. Pritisnite ovaj taster za uključivanje ili isključivanje žarulje.

## 10,1. 3-brzinski senzorski proizvod, uporaba



Sl. 11: Taster

1. Kada se pritisne ovaj taster, uređaj će raditi na razini 1. brzine.
2. Kada se pritisne ovaj taster, uređaj će raditi na razini 2. brzine.
3. Kada se pritisne ovaj taster, uređaj će raditi na razini 3. brzine.
4. Pritisnite ovaj taster za uključivanje ili isključivanje žarulje. 



Da biste aktivirali funkciju tajmera, pritisnite i zadržite bilo koji od tastera 1, 2 i 3 na 3 sekunde. Tada će se aktivirati funkcija tajmera od 15 minuta i uređaj će se automatski isključiti nakon 15 minuta.



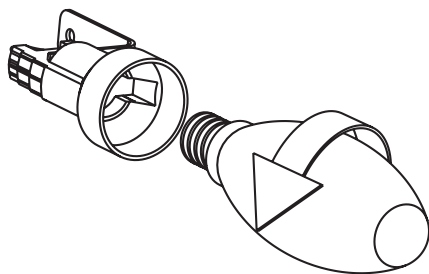
Sve aktivne funkcije koje su radile prije aktiviranja funkcije tajmera će se deaktivirati nakon 15 minuta. Sve aktivne funkcije koje su radile nakon aktiviranja funkcije tajmera će se ponovo aktivirati nakon 15 minuta.

# 11 ZAMJENA ŽARULJA

## OPASNOST

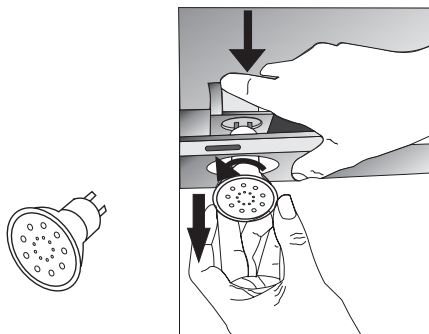
Isključite napu iz struje. Sačekajte da se žarulje ohlade pošto mogu da opeku vaše ruke kada su vruće.

### 11.1 Zamjena žarulje sa užarenim vlaknom



Sl. 12: Zamjena žarulje sa užarenim vlaknom

Skinite aluminijski umjetak filtera. Skinite neispravnu žarulju i zamijenite je novom iste jačine. Sl. 12



### 11.2 Zamjena halogene žarulje

Sl. 13: Zamjena žarulje sa užarenim vlaknom

Skinite aluminijski umjetak filtera. Skinite neispravnu žarulju i zamijenite je novom iste jačine. Sl. 13

## 12 OVLAŠTENI TEHNIČKI SERVIS

*Osvjetljenje ne radi.*

- Provjerite da li je uređaj uključen u struju i da li su osigurači pregorjeli.
- Provjerite žarulje. Obavezno isključite uređaj iz struje prije obavljanja ove provjere. Pritegnite žarulje ako su labave; možete da ih zamijenite ako se i dalje ne pale.

*Mogući kvarovi i sve što treba da uradite prije nego što pozovete servis:*

*A) Uređaj uopće ne radi:*

- Provjerite da li je uređaj uključen u struju i da li je utikač dobro pričvršćen u utičnicu.
- Provjerite osigurač na koji je proizvod priključen, kao i glavni osigurač u vašoj kući.

Ukoliko uređaj slabo radi  
ili pravi jaku buku dok radi:

- Da li uređaj ima odgovarajući prečnik izduvnog kanala? (min. 120 mm).
- Da li su metalni filteri čisti? Provjerite.
- Ukoliko koristite napu bez izduvnog kanala, pobrinite se da filteri sa aktivnim ugljem ne budu stariji od 6 mjeseci.
- Vodite računa da se kuhinja adekvatno prozračí da bi se osigurao protok zraka. Ukoliko niste zadovoljni radom uređaja, kontaktirajte ovlašteni servis.

## 12.1 Rješavanje problema

| Rješavanje problema                         | Razlog                              | Pomoć  |
|---|-------------------------------------|--|
| Uređaj uopće ne radi                        | Provjerite dovod struje.            | Napon mora biti 220-240V i proizvod mora biti povezan na utičnicu za uzemljenje.                                 |
| Žarulja ne radi.                            | Provjerite dovod struje.            | Napon mora biti 220-240V i proizvod mora biti povezan na utičnicu za uzemljenje.                                 |
| Žarulja ne radi.                            | Provjerite prekidač lampe.          | Prekidač žarulja mora biti u poziciji „on“ (uključeno).  |
| Žarulja ne radi.                            | Provjerite žarulje.                 | Žarulje proizvoda ne smiju biti falične.   |
| Usisavanje zraka na uređaju je slabo        | Provjerite aluminijske filtere      | Kertridž aluminijskog filtera mora da se pere bar jednom mjesečno u normalnim uvjetima.                          |
| Usisavanje zraka na uređaju je slabo.       | Provjerite dimnjak za odvod zraka.  | Dimnjak za odvod zraka mora biti otvoren.  |
| Usisavanje zraka na uređaju je slabo        | Provjerite karbon (ugljenik) filter | Kod proizvoda koji koriste karbon filtere, oni moraju da se mijenjaju jednom u tri mjeseca u normalnim uvjetima. |
| Ne ispušta zrak (korišćenje bez dimnjaka)   | Provjerite aluminijske filtere      | Kertridž aluminijskog filtera mora da se pere bar jednom mjesečno u normalnim uvjetima.                          |
| Ne ispušta vazduh (korišćenje bez dimnjaka) | Proverite karbon (ugljenik) filter  | Kod proizvoda koji koriste karbon filtere, oni moraju da se mijenjaju jednom u tri mjeseca u normalnim uvjetima. |

## 12.2 Tehnička tabela

|                        |                  |
|------------------------|------------------|
| Napon                  | 220 - 240 V 50Hz |
| Klasa izolacije motora | F                |
| Klasa izolacije        | KLASA I          |



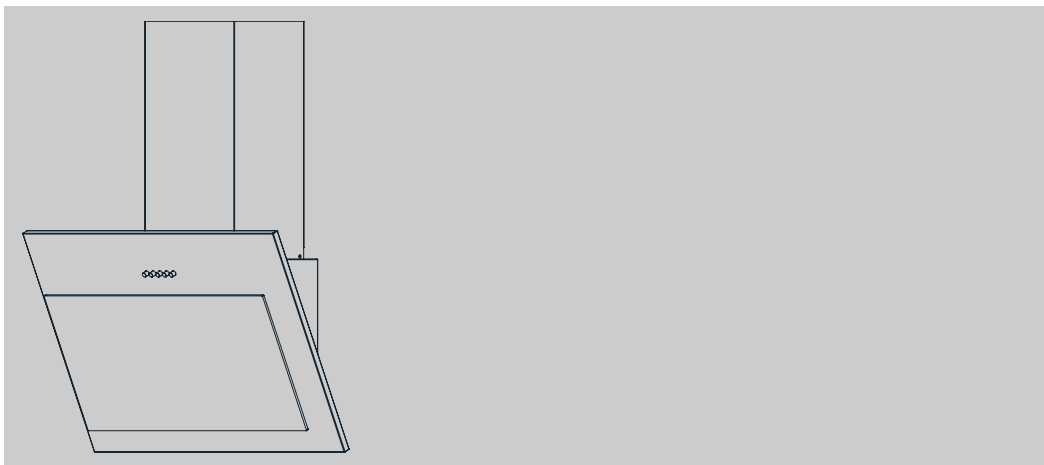


PRT

**BTG - 620 BL**

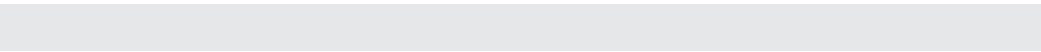
**MANUAL DO USUÁRIO EXAUSTOR**

BTG620BL



Leia atentamente as instruções !

|  |           |
|--|-----------|
| 1 DESENHO TÉCNICO                                  | 4         |
| 2 ADVERTENCIAS E PRECAUÇÕES DE SEGURANÇA           | 5         |
| 2.1 Perigo de morte, risco de envenenamento        | 7         |
| 3 UTILIZAÇÕES COM E SEM USO DE CARBONO             | 9         |
| 3.1 Substituição do Filtro de Carbono              | 9         |
| 3.2 Substituição do Filtro de Carbono              | 9         |
| 4 LIMPEZA E MANUTENÇÃO PREVENTIVA                  | 10        |
| 4.1 Lavando na Máquina de Lavar Louça              | 10        |
| 4.2 Lavagem com as mãos                            | 10        |
| 5 INSTALAÇÃO DO APARELHO                           | 11        |
| 5.1 Desenho de montagem                            | 12        |
| 5.2 Instalação e Desembalagem do Aparelho          | 12        |
| 5.3 Conselhos para poupar energia                  | 12        |
| 6 CONTEÚDO DA EMBALAGEM                            | 13        |
| 7 VISÃO GERAL DO APARELHO                          | 14        |
| 8 MONTAGEM DO PRODUTO                              | 15        |
| 8 USO DO PRODUTO                                   | 15        |
| 9 INSTALAÇÃO DO CABO METÁLICO PARA CANAIS EXTERNOS | 15        |
| 10 Tecla   | 16        |
| 10.1 Produto sensor de 3 velocidades               | 17        |
| 11 SUBSTITUIÇÃO DE LAMPADAS                        | 18        |
| 11.1 Substituição da Lâmpada de Halogénio          | 18        |
| 11.2 Substituição da Lâmpada de Ignição            | 18        |
| <b>12 SERVIÇO TÉCNICO AUTORIZADO</b>               | <b>19</b> |
| 12.1 Falhas potenciais e Soluções                  | 20        |
| 12.2 Tabela técnica                                | 20        |



# 1 DESENHO TÉCNICO

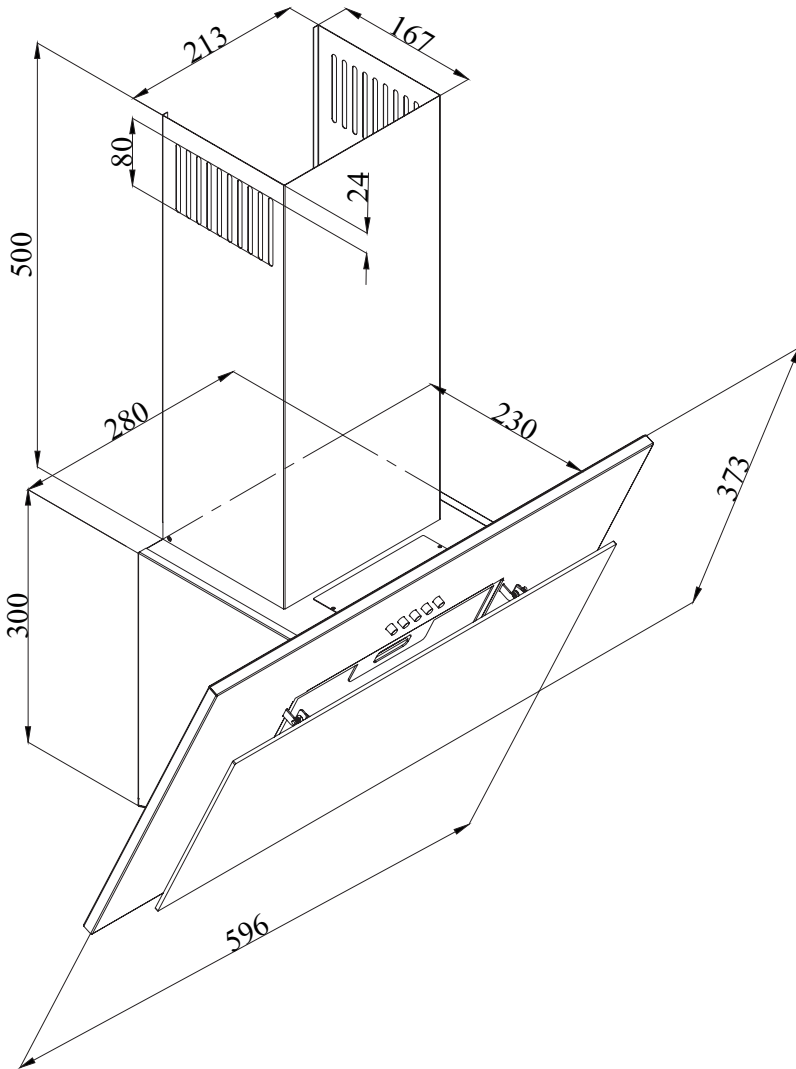


Fig. 1: DESENHO TÉCNICO

## 2 AVISOS E PRECAUÇÕES DE SEGURANÇA

- Este aparelho pode ser utilizado por crianças com idade igual ou superior a 8 anos e pessoas com capacidades físicas, sensoriais ou mentais reduzidas ou com falta de experiência e conhecimento, se tiverem recebido supervisão ou instruções relativas ao uso do aparelho de forma segura e compreenderem os perigos envolvidos.
- Este produto é projetado para uso doméstico.
- A tensão de uso do seu produto é de 220-240 Volts ~ 50 Hz.
- O cabo de alimentação do seu produto está equipado com uma ficha terra. Esta deve ser conectada a uma tomada correspondente.
- Toda a fiação elétrica deve ser instalada por um electricista qualificado.
- A instalação por pessoas não autorizadas pode resultar em mau desempenho operacional, danos no produto e acidentes.
- O cabo do alimentador do aparelho não deve ficar exposto a obstruções ou falhas durante a montagem.
- O cabo do alimentador não deve ser colocado perto do fogão. Em tais casos, este pode derreter e causar fogo.
- Não ligue o aparelho antes da instalação.
- Certifique-se de que o local de instalação permite ao utilizador desconectar facilmente o cabo de alimentação em caso de qualquer perigo.
- Não toque nas lâmpadas do seu produto quando elas funcionarem por um longo período, pois tornam-se quentes, podendo causar queimaduras.
- Os exaustores de cozinha são projetados para cozinhar e usar em casa. Para usos diferentes dos especificados, existe o risco de falha e o aparelho não será abrangido pela garantia.
- Deve cumprir as regras e instruções relativas à descarga de saída de ar, estipuladas pelas autoridades competentes. (Este aviso não se aplica a usos sem chaminé.)

- Alimentos inflamáveis não devem ser cozidos sob o aparelho.
- Ligue o aparelho depois de colocar uma panela, frigideira, etc. no fogão. Caso contrário, a alta temperatura pode causar deformação em alguns componentes do produto.
- Desligue o queimador antes de retirar a panela, frigideira ou outros do fogão.
- Não deixe óleo quente no seu fogão. Os recipientes que contêm óleo quente podem causar inflamação.
- Uma vez que os óleos podem incendiar-se quando cozinhar alimentos fritos em particular e tenha cuidado com suas cortinas e toalhas de mesa.
- Assegure a substituição oportuna dos filtros. Filtros não substituídos em tempo útil apresentam risco de incêndio devido a depósitos de resíduos neles acumulados.
- Não use materiais filtrantes e não resistentes ao fogo em vez do filtro
- Não opere o produto sem filtro e não remova os filtros quando o produto estiver em uso. Em caso de deflagração, desligue o exaustor e os aparelhos de cozimento. (Desligue o aparelho ou desligue o interruptor principal).
- Se a limpeza periódica do seu produto não for feita regularmente, tal pode representar um risco de incêndio.
- Desligue o aparelho antes de qualquer operação de manutenção. (Desligue o aparelho ou desligue o interruptor principal.)
- Quando a placa elétrica e os dispositivos alimentados com outra energia além da eletricidade operam simultaneamente, a pressão negativa na sala não deve exceder 4 Pa (4 X 10 bar).
- Aparelhos de queima de gás ou óleo combustível como aquecedores, que compartilham o mesmo ambiente com o produto, devem ser totalmente isolados deste produto ou ser herméticos.

- Quando fizer uma conexão de combustão do seu produto, use tubos com um diâmetro de 150 mm ou 120 mm.
- O comprimento da conexão do tubo, bem como o número de dobradiças, deve ser o mínimo possível.
- As crianças não devem brincar com o aparelho. Para sua segurança, use o fusível "MAX 6 A" no sistema de exaustor.
- Os materiais de embalagem podem ser perigosos, mantenha-os longe das crianças.
- Se o cabo do alimentador estiver danificado, deve ser substituído pelo fabricante ou pelo serviço técnico autorizado ou qualquer outro pessoal qualificado no mesmo nível, a fim de evitar qualquer situação perigosa.
- Em caso de deflagração, desligue o exaustor e os aparelhos de cozimento e cubra a chama. Nunca use água para extinguir o fogo.
- Quando aparelhos de cozinha estão em operação, as partes acessíveis podem estar quentes.
- Este aparelho não se destina a ser utilizado por pessoas com deficiências físicas, sensoriais e mentais (incluindo crianças) ou que não tenham experiência e conhecimentos adequados quanto à sua utilização, a menos que estejam sob a supervisão de uma pessoa responsável pela segurança do aparelho.
- Após a instalação do exaustor, a distância mínima deve ser de 65 cm entre o produto e qualquer fogão elétrico e 75 cm entre ele e quaisquer fontes de gás ou fogões queimando outros combustíveis.
- A saída do exaustor não deve ser ligada a condutas de ar, onde existam outros fumos.
- Deve ter cuidado ao usar a aplicação espontaneamente com outros aparelhos (por exemplo, gás, combustível diesel, aquecedores a carvão ou a lenha, aquecedores de chuveiro, etc.), deve-se prestar atenção ao usá-los simultaneamente, dado que o exaustor pode afectar a combustão e o ambiente da sala.
- Este aviso não se aplica ao uso sem chaminé.
- Quando o exaustor elétrico é usado simultaneamente com dispositivos que usam gás ou outros combustíveis, deve haver ventilação suficiente na sala (pode não ser aplicável a dispositivos que descarregam o ar de volta para a sala).

## 2.1 Perigo de morte e de envenenamento

### PERIGO

Existe perigo de vida e envenenamento devido a gases de combustão que podem ser reabsorvidos. Durante o fluxo das saídas de descarga de ar, a menos que haja uma suficiente circulação e renovação de ar. Não use o dispositivo em simultâneo com outros capazes de emitir gases tóxicos através de chaminés, como aquecedores ventilados (a gás, óleo, madeira ou carvão), aquecedores de água, etc.

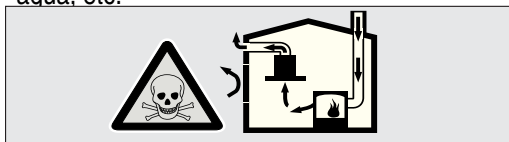
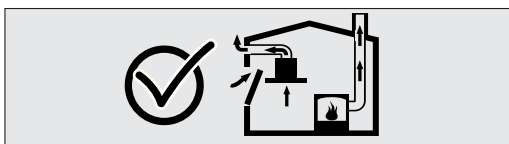


Fig. 2: Perigo de envenenamento

Dispositivos ventilados como aquecedores (gás, óleo, madeira ou carvão) ou aquecedores de água retiram usam ar para combustão no local onde se encontram instalados e descarregam gás residual através de um sistema de gás residual (p. e. combustão). Quando o exaustor está ativo ele absorve o ar da cozinha e das salas vizinhas. Assim, se uma entrada de ar adequada não for fornecida, o vácuo surge. Nesse caso, os gases tóxicos são absorvidos pelo canal de exaustão e gases de exaustão são expelidos novamente. Fig. 2 Concluindo, uma entrada adequada de ar fresco deve sempre ser garantida. Fig. 3



SI. 3

### OPREZ

## Perigo de fogo!

Devido a faíscas. A instalação do aparelho sobre um dispositivo de aquecimento aquecido com combustíveis sólidos (p.e. madeira ou carvão) só é permitida se estiver presente uma tampa não amovível. Para o processo de instalação, deve-se prestar atenção aos atuais regulamentos de construção aplicáveis das empresas elétricas e de gás locais. O aparelho pode causar incêndio, a menos que seja produzido de acordo com as instruções de limpeza.

### PERIGO

## 2.2 Risco de choque eléctrico!

Não dobre ou aperte o cabo de conexão durante a instalação, devido aos diversos riscos que representa um cabo danificado.

### PERIGO

## 2.3 Perigo de danos físicos!

- Durante a instalação, existe o perigo de ferimentos físicos devido as bordas afiadas. Use luvas de proteção durante todo o processo de instalação do aparelho.
- Devido ao risco de queda do aparelho, a montagem de todos os parafusos e tampas de segurança deve ser executada conforme especificado no manual de instruções.



## PERIGO

### 2.4. Perigo de queimadura e de choque elétrico!

- Deixe o aparelho arrefecer antes de limpeza ou manutenção. Desligue o fusível ou retire a ficha da tomada.
- Há risco de danos devido à entrada de humidade nos componentes electrónicos. Não limpe os componentes de controle com um pano húmido.
- A superfície pode ser danificada devido a um processo de limpeza incorreto. Limpe as superfícies de aço inoxidável somente na direção de escova. Não use um limpador de aço inoxidável para os elementos de controle.
- A superfície pode ser danificada devido a agentes de limpeza agressivos e abrasivos. Nunca use agentes de limpeza agressivos e abrasivos.
- Há risco de danos devido ao refluxo do ar condensado. Monte o canal de saída de ar para baixo a partir do aparelho (inclinação de 1 °).

## PERIGO

### 2.5 Perigos de fogo e ferimentos físicos!

No caso da reparação não se realizar de acordo com as regras ou conforme necessário, desligue o fusível ou desconecte o cabo do alimentador do seu eletrodoméstico. A reparação deve ser realizada apenas pelo serviço técnico autorizado ou especialistas autorizados.

## NOTA

*Se o aparelho apresentar defeitos ou danos, desligue o fusível ou desconecte o cabo de alimentação de seu aparelho e ligue para o serviço autorizado.*

## NOTA

*Se o cabo do alimentador estiver danificado, ele deve ser substituído pelo fabricante ou pelo serviço técnico autorizado ou qualquer outro pessoal qualificado com o mesmo nível, a fim de evitar qualquer situação perigosa.*

## NOTA

*Se as lâmpadas do aparelho estiverem com defeito, desligue o fusível ou desconecte o cabo do alimentador do aparelho. Substitua as lâmpadas imediatamente para evitar sobrecarga em outras lâmpadas (espere que as lâmpadas arrefeçam primeiro)*

## ATENÇÃO

Os componentes acessíveis podem sobreaquecer quando usados com dispositivos de cozinha.

## PERIGO

A tubulação de saída de ar deste aparelho não deve ser conectada na chaminé usada para descarregar o fumo gerado pelos dispositivos que usam gás ou outros combustíveis.

## 3 UTILIZAÇÕES COM E SEM USO DE CARBONO

### 3.1 Substituição do Filtro Carbono Em

ambientes sem chaminé, o filtro carbono activo deve ser usado para filtrar o ar e reencaminhá-lo. O filtro de carbono activo deve ser fornecido pelo serviço ou pelo seu revendedor. Desligue o aparelho antes de substituir o filtro de carbono. Como o filtro de carbono é usado em cozinhas sem saída de combustão, ele deve ser substituído a cada 3-5 meses, dependendo do uso. O filtro de carbono nunca deve ser lavado. Filtros de resíduos gordurosos devem ser instalados no produto, independentemente do uso dos filtros de carbono. Não use seu produto sem filtro de resíduos gordurosos.

### 3.2 Substituição do filtro de carbono AF 90

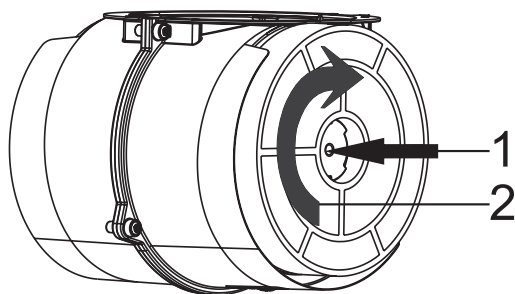


Fig. 4: AF 90 FILTRO DE CARBONO

aparelho que adquiriu é apropriado para uso com filtros de carbono AF 90.

1. Coloque o filtro de carbono no aparelho. Fig. 4
2. Rodando o filtro de carbono no sentido dos ponteiros do relógio, certifique-se de que está completamente encaixado. Fig.4
3. Coloque o filtro de carbono em seu aparelho. Fig. 4
4. Girando o filtro de carbono no sentido horário, assegure-se de que esteja completamente em forma. Fig. 4

## PERIGO

Não lave os filtros de carbono. Mantenha os filtros de carbono longe das crianças.

## 4 LIMPEZA E MANUTENÇÃO PREVENTIVA

### ATENÇÃO

- Antes de cada manutenção e limpeza, o exaustor deve ser desligado e o aparelho deve estar desconectado da ficha eléctrica.
- A limpeza e a manutenção do aparelho não devem ser realizadas por crianças.
- A superfície pode ser danificada devido a agentes de limpeza agressivos e abrasivos. Nunca use agentes de limpeza agressivos e abrasivos. Adquira as substâncias de limpeza e proteção apropriadas para o seu aparelho no serviço técnico autorizado. A superfície do aparelho e unidades de controle são sensíveis a riscos.
- Limpe as superfícies com um pano macio e húmido, detergente líquido ou detergente para limpeza de vidros suaves. Amoleça os resíduos secos e pegajosos com um pano húmido. Não raspe!
- Não é apropriado usar panos secos, esponjas que possam riscar, materiais que exijam fricção e outros agentes de limpeza agressivos que contenham areia, ácido ou cloro.
- Limpe as superfícies de aço inoxidável apenas na direção da escovagem.
- Não use agentes de limpeza de aço inoxidável e panos molhados nas unidades de controle. Faça a limpeza de partes metálicas que retêm as partículas gordurosas e humidade do vapor gerado na cozinha. Limpe os filtros de gordura metalizados a cada três meses, em condições normais de uso (1 a 2 horas por dia).

- Não use agentes de limpeza excessivamente agressivos, ácidos ou alcalinos.

- Para limpar os filtros metálicos, limpe as partes do suporte dos filtros de metal no aparelho, com um pano húmido.

- Pode limpar os filtros de metal na máquina de lavar louça ou com a mão.

#### 4.1 Lavar na Máquina de Lavar Louça

- Em caso de lavagem na máquina de lavar louça, pode ocorrer uma ligeira alteração na cor. Isso não tem efeito sobre a função do filtro de metal.

- Não lave os filtros de gordura excessivamente sujos de metal juntamente com as louças.

- Coloque os filtros metálicos soltos na máquina de lavar louça. Os filtros metálicos devem ser colocados na máquina de lavar louça sem obstrução.

#### 4.2 Lavagem a mão

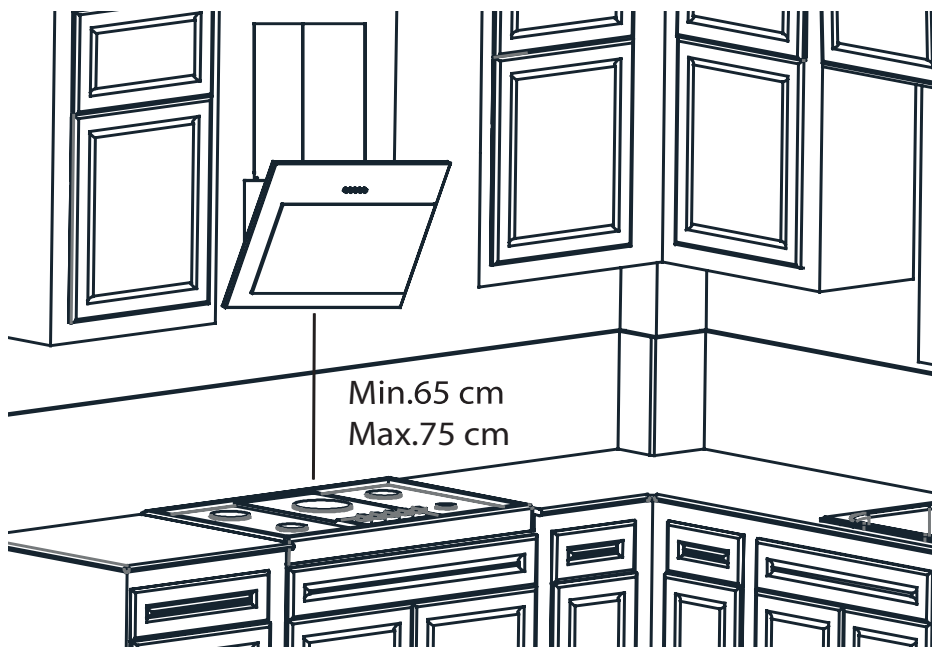
Para sujidades difíceis, pode usar um solvente especial. Você pode comprar um solvente desse tipo no centro de vendas autorizado.

- Suavize os filtros de gordura de metal em água quente com detergente para louça.

- Use um pincel para limpeza e aguarde até que o líquido nos filtros metálicos escorra completamente.

- Seque bem os filtros após a limpeza.

## 5 INSTALAÇÃO DO APARELHO



*Fig. 5: INSTALANDO O APARELHO*

Após completar a instalação do exaustor, a distância mínima deve ser de 650 mm entre o produto e qualquer fogão elétrico e 750 mm entre ele e quaisquer faixas de gás ou fogões queimando outros combustíveis. Fig. 5

## 5.1 Desenho da montagem

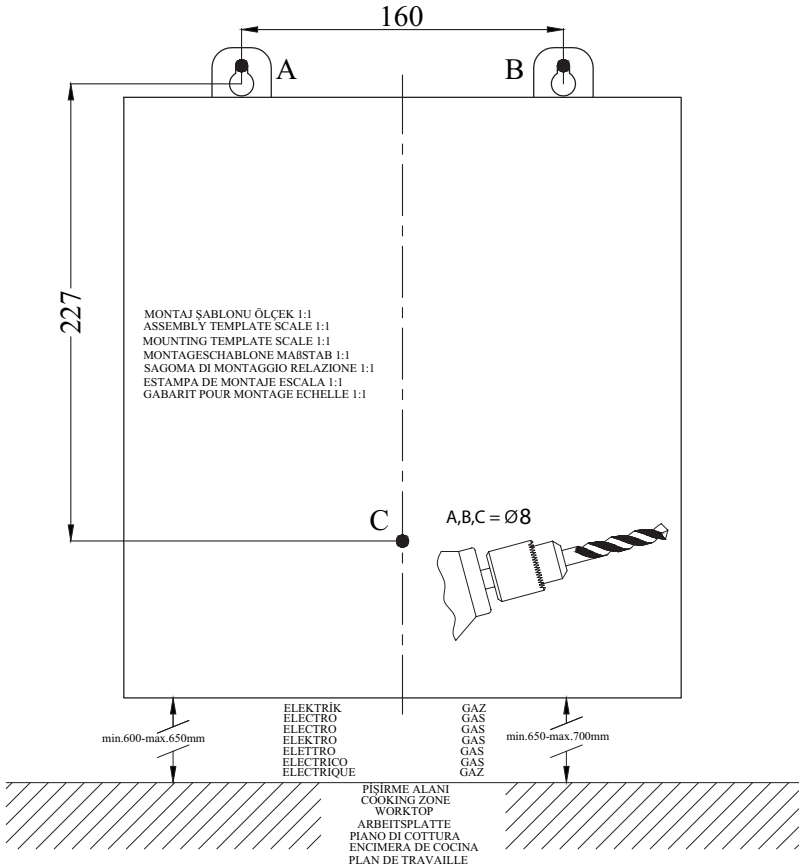


Figura 6: Desenho da montagem

## 5.2 Montagem e desembalagem

Verifique se há danos no seu aparelho.

- Se houver algum dano devido ao transporte, deve informar imediatamente as pessoas responsáveis.
- Defeitos visíveis também devem ser repassados ao vendedor.
- Evite que as crianças brinquem com as embalagens.

## 5.3 Conselhos para poupar energia

Altere os filtros de carbono regularmente.

- Limpar filtros de alumínio regularmente. Pode ser necessário usar o dispositivo em um nível alto, pois um filtro sujo pode bloquear a entrada de ar.
- Use os níveis de uso do dispositivo corretamente.
- Uso em níveis elevados aumentará o consumo de energia.

## 6 CONTEÚDO DA EMBALAGEM

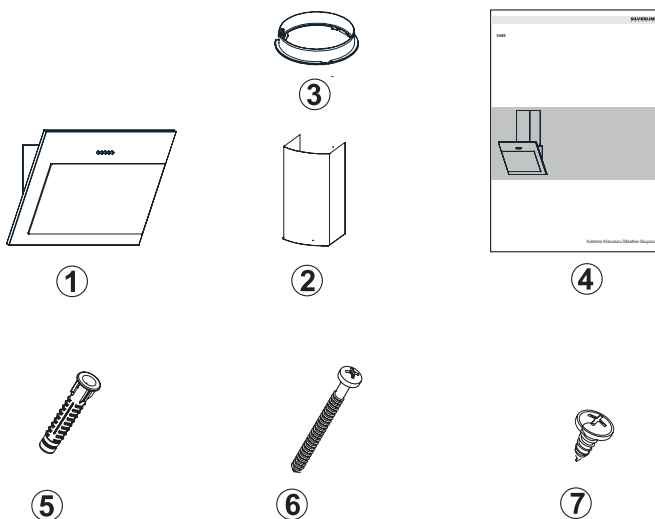


Fig. 7: CONTEÚDO DA EMBALAGEM

1. Dispositivo
2. Cabo de conexão para tubo de exaustão
3. Adaptador de tubo de exaustão plug-in
4. Instruções de uso
5. Parafuso plástico Ø8 mm
6. Parafuso para montagem na parede 4,90x50 mm
7. Parafuso para conexão de tubos de exaustão de 3,5 x 9,5mm

## 7 VISTA GERAL DAS PEÇAS

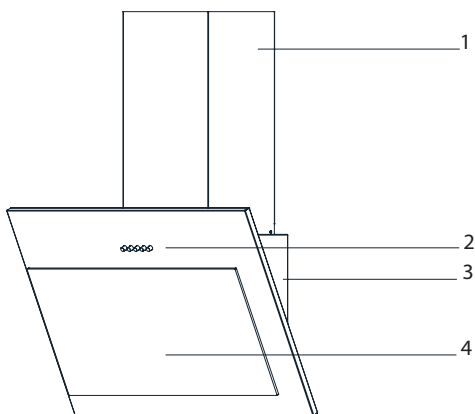


Fig. 8: VISTA GERAL DAS PEÇAS DA COBERTURA

1. Cabo de conexão para tubo de exaustão
2. Layout do painel de controle
3. Habitáculo
4. Vidro para orifício lateral de sucção

## 8 INSTALAÇÃO

### 8.1 Desenho da montagem e componentes

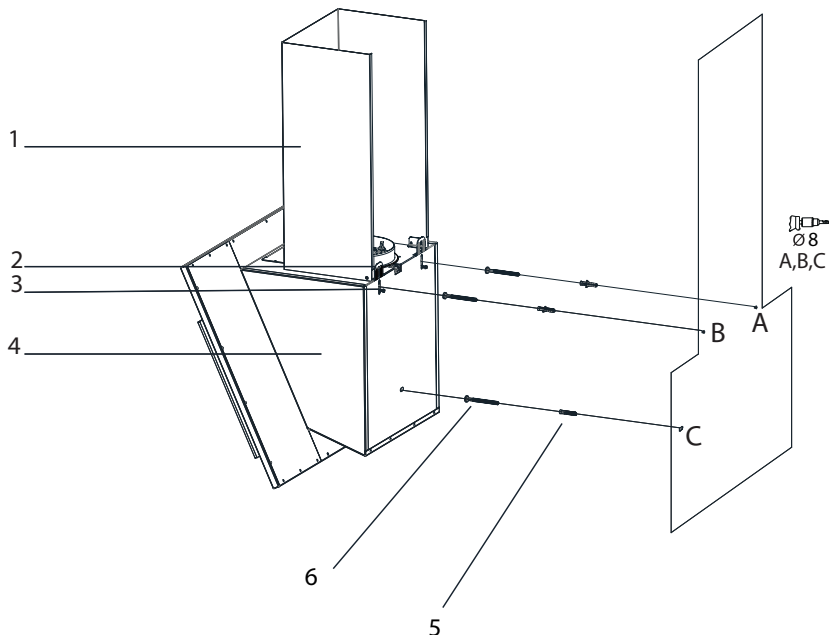


Fig. 9: COMPONENTES E INSTALAÇÃO

1. Cabo de conexão metálico para tubo de exaustão
2. Suporte de prato
3. Parafuso para o suporte de prato
4. Habitáculo
5. Parafuso plástico 8 mm
6. Parafuso para montagem na parede 4,9x50 mm

Monte a cobertura do habitáculo usando o desenho da montagem. Anexe o desenho de montagem a parede na altura especificada (veja a distância mínima e máxima do tecto no desenho da montagem). Pontos de perfuração A, B e C. (Figura 9)

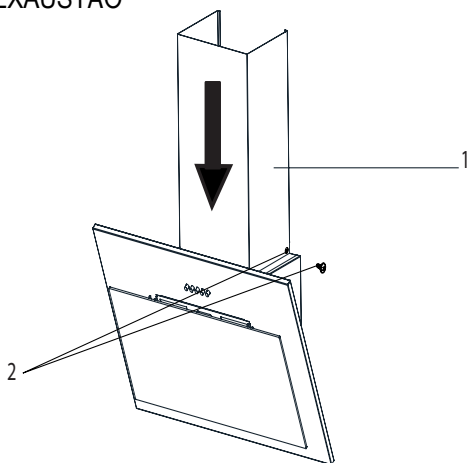
A + B para que haja uma folga de 5 mm entre a cabeça do parafuso e a parede (Figura 9).

Ajuste a posição da placa de montagem do exaustor (2), desapertando a placa de montagem do exaustor (3) e fixe o suporte da placa do exaustor. Coloque os orifícios A e B no lado do exaustor. Aperte os parafusos de fixação A + B na parede e aperte totalmente o dispositivo no ponto C.



## PARA TUBOS DE EXAUSTÃO

Fig. 10: INSTALAÇÃO DO CABO METÁLICO PARA TUBOS DE EXAUSTÃO



### 1. JUNTA DE CONEXÃO PARA TUBOS DE EXAUSTÃO

2. Parafusos para fixação de cabo de conexão nos tubos de exaustão

Coloque a placa externa nos tubos de exaustão no alojamento e na direção da seta. (Figura 10)

Instale o cabo metálico de conexão do tubo no alojamento do produto usando 2 parafusos (2). (Figura 10)

## 10.Tecla

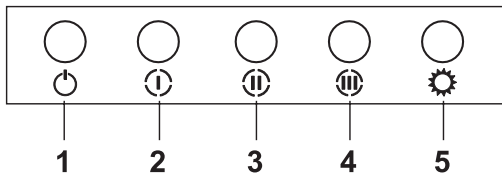


Figura 12: Pressione a tecla

1. Pressione este botão para redefinir o produto.
2. Quando este botão é pressionado, o produto irá operar no primeiro nível de velocidade.
3. Quando esta tecla é pressionada, o produto irá operar num outro nível de velocidade.
4. Quando este botão é pressionado, o produto irá operar no terceiro nível de velocidade.
5. Pressione este botão para ligar e desligar a lâmpada.

## 10,1. Produto sensor de 3 velocidades: uso

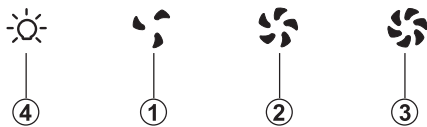


Figura 11: Pressione a tecla

1. Pressione este botão para redefinir o produto.
2. Quando este botão é pressionado, o produto irá operar no primeiro nível de velocidade.
3. Quando esta tecla é pressionada, o produto irá operar num outro nível de velocidade.
4. Quando este botão é pressionado, o produto irá operar no terceiro nível de velocidade.
5. Pressione este botão para ligar e desligar a lâmpada.



Temporizador: Quando o botão é pressionado por 1, 2 ou 3 segundos, uma função de temporização é ativada por um período de 15 minutos, e uma vez que o tempo começa a contar, o display também dá um sinal, e o motor para automaticamente após 15 minutos.



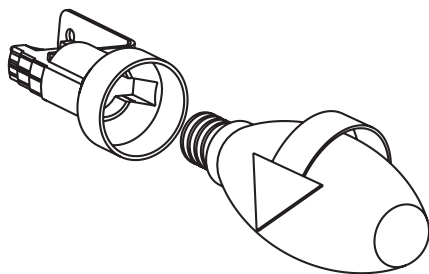
Todas as funções ativas que funcionaram antes de ativar a função "cronómetro" serão desativadas após 15 minutos. Todas as funções ativas executadas depois de ativar a função do cronómetro serão reactivadas após 15 minutos.

## 11 SUBSTITUIÇÃO DE LUZES

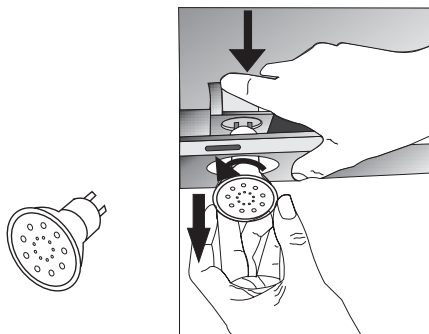
### PERIGO

Desligue a alimentação elétrica do exaustor.  
Deixe as lâmpadas esfriarem primeiro porque podem  
queimar suas mãos quando estão quentes.

### 11.1 Substituição da Lâmpada de Vela de Ignição



*Fig. 12:* Substituição da lâmpada de vela de ignição. Remova o filtro do cartucho de alumínio. Remova a lâmpada defeituosa e substitua-a por uma nova com a mesma classificação. Figura 12



### 11.2 Substituição da lâmpada de halogéneo

*Fig. 13:* Substituição da Lâmpada de halogéneo  
Remova o filtro do cartucho de alumínio. Remova a lâmpada  
defeituosa e substitua-a por uma nova com a mesma classificação. Fig.13

## 12 SERVIÇO TÉCNICO AUTORIZADO

### Se a iluminação não estiver funcionando:

- Certifique-se de que a ficha esta conectada e de que os fusíveis estão intactos.
- Verifique as lâmpadas. Certifique-se de desconectar o dispositivo antes de realizar essa verificação. Aperte as lâmpadas se estiverem soltas; você pode substituir as lâmpadas se elas ainda não funcionarem.

### Possíveis falhas e o que fazer antes de chamar o serviço técnico:

#### A) Se o aparelho não funcionar de alguma forma:

- Verifique se o exaustor está conectado ou se a ficha está encaixada corretamente.
- Verifique o fusível, ao qual o aparelho está ligado, bem como o fusível principal da sua casa.

#### Se o desempenho do aparelho for insuficiente ou se operar com muito ruído:

- O diâmetro de saída do tubo do aparelho é adequado? (min.120 mm).
- Se você usar o exaustor sem chaminé, verifique se os filtros de carbono não têm mais de 6 meses.
- Se você usar o exaustor sem chaminé, verifique se os filtros de carbono não têm mais de 6 meses.
- Esteja atento a sua cozinha adequadamente, a fim de fornecer um fluxo de ar. Se ainda estiver satisfeito com o desempenho do aparelho, consulte o serviço técnico autorizado.

## 12.1 Falhas Potenciais e Soluções

| Descrição do falha                        | Motivo                          | Ajuda   |
|---|---------------------------------|---|
| O aparelho não funciona.                  | Verifique a ligação eléctrica   | A tensão de rede deve ser de 220-240 V e o produto deve ser conectado a uma tomada terra.   |
| A lâmpada não funciona.                   | Verifique a ligação eléctrica   | A tensão de rede deve ser de 220-240 V e o produto deve ser conectado a uma tomada terra.   |
| A lâmpada não funciona.                   | Verifique a ligação eléctrica   | O interruptor deve estar na posição "on"  |
| A lâmpada não funciona.                   | Verifique o interior da lâmpada | A lâmpada não pode estar fundida  |
| A entrada de ar do produto é fraca        | Verifique o filtro de alumínio  | O filtro de cartucho de alumínio deve ser lavado uma vez por mês em condições normais.  |
| A entrada de ar do produto é fraca        | Verifique o filtro de combustão | O filtro de combustão deve estar aberto   |
| A entrada de ar do produto é fraca        | Verifique o filtro de carbono   | Em condições normais, produtos que trabalham com filtros de carbono, o filtro de carbono deve ser substituído uma vez a cada 3 meses. |
| Não faz descarga de ar (após a combustão) | Verifique o filtro de alumínio  | O filtro de cartucho de alumínio deve ser lavado uma vez por mês em condições normais.  |
| Não faz descarga de ar (após a combustão) | Verifique o filtro de carbono   | Em condições normais, produtos que trabalham com filtros de carbono, o filtro de carbono deve ser substituído uma vez a cada 3 meses. |

## 12.2 Tabela técnica

|                               |                  |
|-------------------------------|------------------|
| Tensão                        | 220 - 240 V 50Hz |
| Classe de isolamento do Motor | F                |
| Classe de isolamento          | CLASSE I         |

