



GRB

SRB

SVN

HRV

MKD

POR

BGR

GRC

SPA

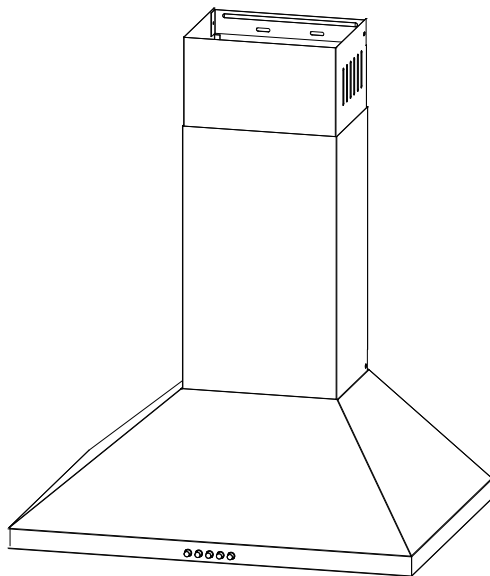
CHM6A17IX
CHM6A17W

OPERATING INSTRUCTIONS **COOKER HOOD**
UPUTSTVO ZA UPOTREBU **ASPIRATOR**
NAVODILA ZA UPORABO **KUHINJSKA NAPA**
UPUTE ZA UPORABU **KUHINJSKA NAPA**
УПАТСТВА ЗА УПОТРЕБА **АСПИРАТОР**
MANUAL DE INSTRUÇÕES **EXAUSTOR DE COZINHA**
РЪКОВОДСТВО ЗА УПОТРЕБА **АСПИРАТОР**
ΕΓΧΕΙΡΙΔΙΟ ΧΡΗΣΗΣ **ΑΠΟΡΡΟΦΗΤΗΡΑΣ**
MANUAL DE INSTRUCCIONES **CAMPANA EXTRACTORA**



GBR

CHM6A17IX
CHM6A17W




COOKER HOOD

INSTRUCTION MANUAL

Read this manual carefully before operation

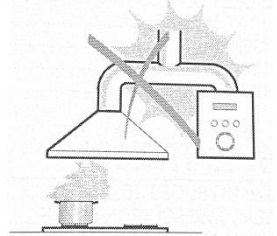
Pictures in this manual are for reference only, the product in kind prevail.

RECOMMENDATIONS AND SUGGESTIONS

 The instructions for Use apply to several versions of this appliance. Accordingly, you may find descriptions of individual features that do not apply to your specific appliance.

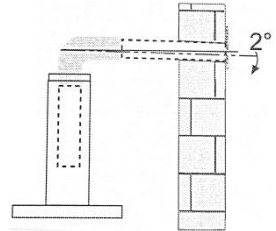
INSTALLATION

- The manufacturer will not be held liable for any damages resulting from incorrect or improper installation.
- Check that the mains voltage corresponds to that indicated on the rating plate fixed to the inside of the hood.
- For Class I appliances, check that the domestic power supply guarantees adequate earthing.
- Connect the extractor to the exhaust flue through a pipe of minimum diameter 120mm.
- The route of the flue must be as short as possible.
- Do not connect the extractor hood to exhaust ducts carrying combustion flumes (boilers, fireplaces, etc.).
- If the instructions for installation for the gas hob specify a greater distance specified above, this has to be taken into account.
- If the supply cord is damaged, it must be replaced by the manufacturer or its service agent or a similarly qualified person in order to avoid a hazard.
- The air must not be discharged into a flue that is used for exhausting fumes from appliances burning gas or other fuels (not applicable to appliances that only discharge the air back into the room).
- The minimum distance between the supporting surface for the cooking vessels on the hob and the lowest part of the range hood is 650 mm.
- Regulations concerning the discharge of air have to be fulfilled.



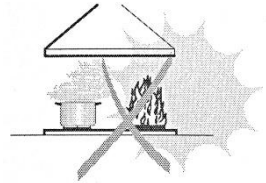
USE


- The extractor hood has been designed exclusively for domestic use to eliminate kitchen smells.
- Never use the hood for purposes other than for which it has been designed.
- Never leave high naked flames under the hood when it is in operation.
- Adjust the flame intensity to direct it onto the bottom of the pan only, making sure that it does not engulf the sides.
- Deep fat fryers must be continuously monitored during use: overheated oil can burst into flames.
- This appliance is not intended for use by persons (including children) with reduced physical, sensory or mental capabilities, or lack of experience and knowledge, unless they have been given supervision or instruction concerning use of the appliance by a person responsible for their safety.
- Children should be supervised to ensure that they do not play with the appliance.
- There shall be adequate ventilation of the room when the range hood is used at the same time as appliances burning gas or other fuels (not applicable to appliances that only discharge the air back into the room).
- There is a fire risk if cleaning is not carried out in accordance with the instructions.
- Do not flame under the range hood.
- **“CAUTION:** Accessible parts may become hot when used with cooking appliances”.



MAINTENANCE

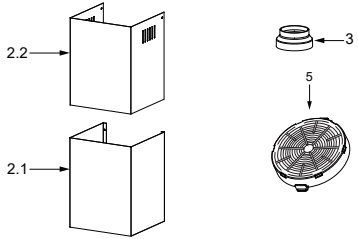
- The cooker hood and its filter should be cleaned regularly according to the instruction.
- Switch off or unplug the appliance from the mains supply before carrying out any maintenance work.
- Clean the hood using a damp cloth and a neutral liquid detergent.
- The appliance uses 4 hob elements at most.



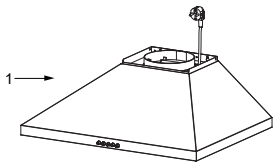
The symbol  is packaging indicates that this product may not be treated as household waste. Instead it shall be handed over to the applicable collection point for the recycling of electrical and electronic equipment. By ensuring this product is disposed of correctly, you will help prevent potential negative consequences for the environment and human health, which could otherwise be caused by inappropriate waste handling of this product. For more detailed information about recycling of this product, please contact your local city office, your household waste disposal service or the shop where you purchased the product.

COMPONENTS

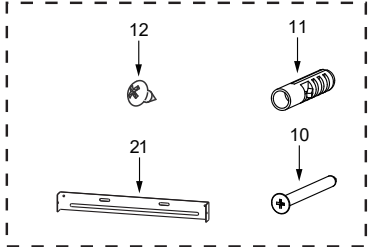
Ref.	Qty.	Product Components
1	1	Hood Body, complete with: Controls, Light, Blower, Filter.
2.1	1	Lower Decorative Chimney
2.2	1	Upper Decorative Chimney (optional)
3	1	Flange (optional)
5	2	The Activated Charcoal filter (optional)



Qty.	Documentation
1	Instruction Manual

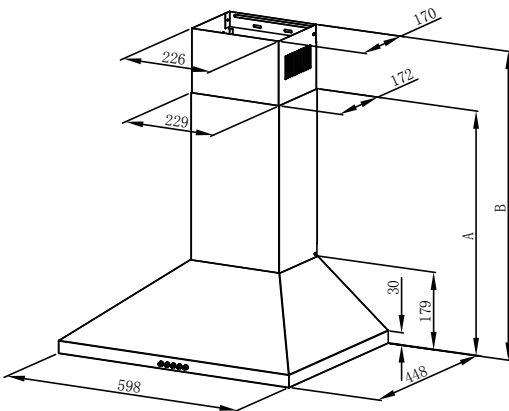
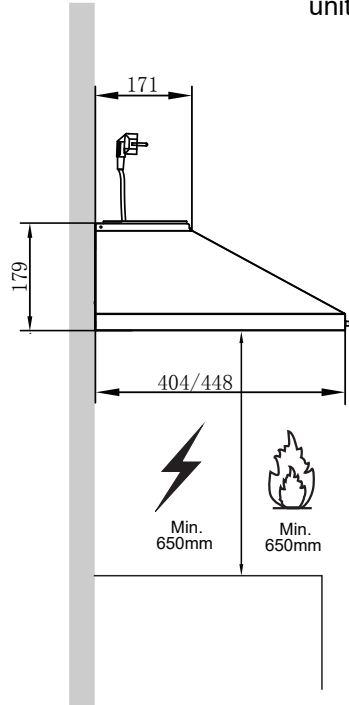
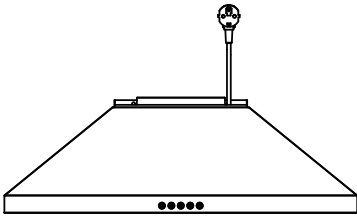
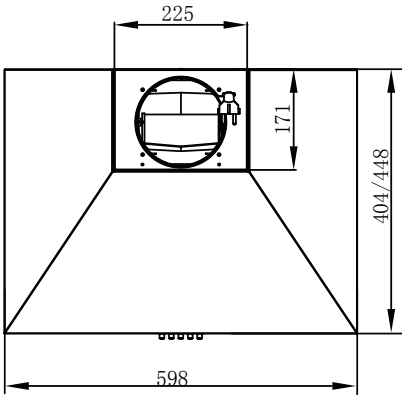


Ref.	Qty.	Installation Components
10	7	Screws 5 x 50
11	7	Wall Plugs
12	6	Screws 4,2 x 9,5 / Screws 4 x 8
21	1	Chimney fixing bracket (optional)



DIMENSIONS

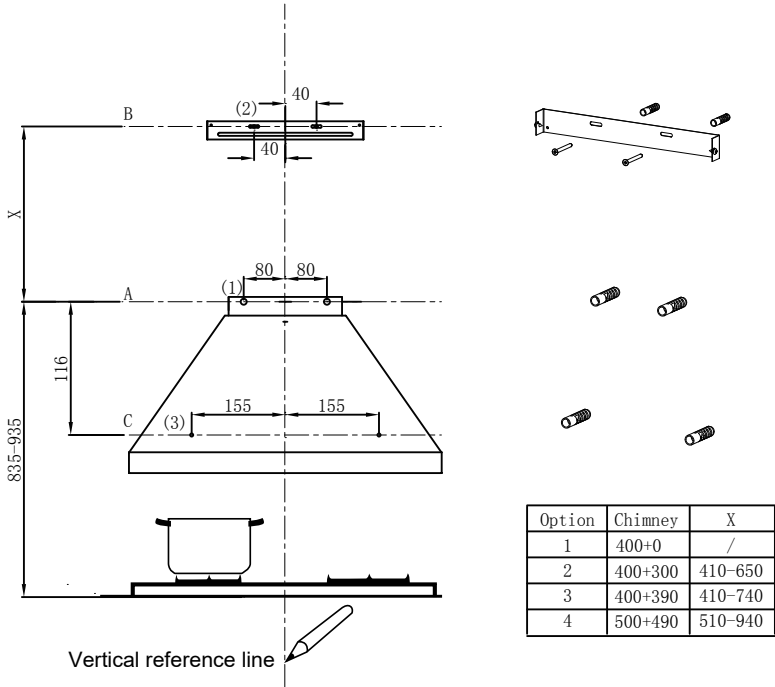
unit: mm



Option	Chimney	A	B
1	400+0	569	/
2	400+300	569	610-850
3	400+390	569	610-940
4	500+490	669	710-1140

INSTALLATION

WALL DRILLING AND BRACKET FIXING



As a first step, proceed with the following drawings:

- A vertical line up to the ceiling or up to the upper limit, at the center of the area in which the hood is to be fitted.
- A horizontal line **A** at 835-935 mm above the cooker top.
- A horizontal line **B** at a **X** mm above the horizontal line **A**.
- A horizontal line **C** at a 116mm below the horizontal line **A**.

Mark Points:

- Mark a point (1) on the horizontal line **A**, 80 mm to the vertical reference line.
- Repeat this operation on the other side, checking that the two marks are leveled.
- Mark a point (2) on the horizontal line **B**, 40 mm to the vertical reference line.
- Repeat this operation on the other side, checking that the two marks are leveled.
- Mark a point (3) on the horizontal line **C**, 155 mm to the vertical reference line.
- Repeat this operation on the other side, checking that the two marks are leveled.

Fix the brackets (Optional):

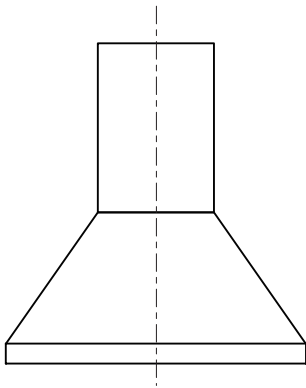
- Drill holes at the marked points with a $\phi 10$ mm drill bit.
- Insert the Wall Plugs 11 into the holes.
- Screw 2 screws **10** (5 x 50) to Wall Plugs **11** at the horizontal line **A**; approximately the four fifth length of the screws **10** (5 x 50) was screwed into the Wall Plugs **11**, used for hook the hood.
- Fix a Chimney fixing bracket **21** with 2 screws **10** (5 x 50) at the horizontal line **B**.

Hook the hood body

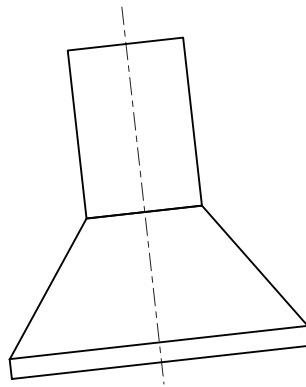
Hook the hood body to the 2 screws **10** (5 x 50) at the horizontal line **A**.

Level the hood body itself.

Remove the filter from the inside of the hood body, fix the screws **10** to Wall Plugs **11** at the points (3).



Right



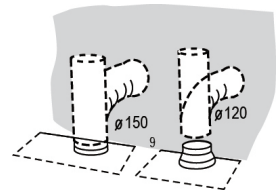
Wrong

CONNECTIONS

DUCTED VERSION AIR EXHAUST SYSTEM

When installing the ducted version, connect the hood to the chimney using either a flexible or rigid pipe $\phi 150$ or $\phi 120$ mm, the choice of which is left to the installer.

- If to install a $\phi 120$ mm air exhaust connection, insert the reducer flange **3** on the hood body outlet.
- Fix the pipe **4** in position using sufficient pipe clamps (not supplied).
- Remove possible charcoal filters.

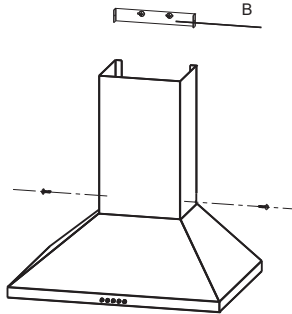


CHIMNEY ASSEMBLY

The chimney can only be installed with exhausting hood.

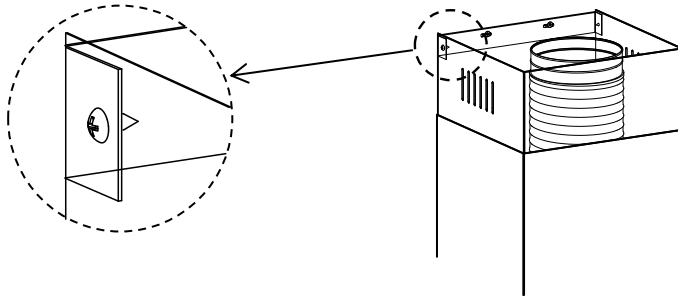
Lower Decorative Chimney

- Fix the Lower Decorative Chimney to the hood body with 2 screws **12** (4.2 x 9.5) supplied with the hood.



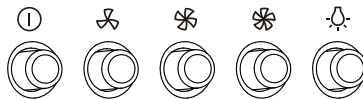
Upper Decorative Chimney

- Fix the upper chimney onto the bracket **21** with 2 screws **12** (4.2 x 9.5) supplied with the hood.



USE

Speed adjustment. (For some models)



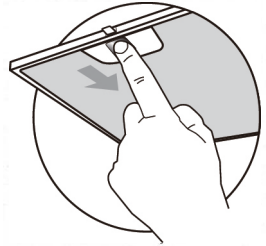
①	OFF MOTOR SWITCH: Press on this switch to stop the motor operation.
🌀	SPEED SWITCH: Press on this switch, the motor runs at LOW speed.
🌀	SPEED SWITCH: Press on this switch, the motor runs at MEDIUM speed.
🌀	SPEED SWITCH: Press on this switch, the motor runs at HIGH speed.
💡	ON/OFF LIGHTING SWITCH: Press on this switch to turn on the lights, and press again to turn them off.

MAINTENANCE

GREASE FILTERS

CLEANING METAL SELF-SUPPORTING GREASE FILTERS

- The filters must be cleaned every 2 months of operation, or more frequently for particularly heavy usage, and can be washed in a dishwasher.
- Remove the filters one by one pushing them towards the back side of the hood unit and simultaneously pulling downwards.
- Any kind of bending of the filters has to be avoided when washing them. Before fitting them again into the hood make sure that they are completely dry. (The color of the filter surface may change throughout the time but this has no influence to the filter efficiency).
- When fitting the filters into the hood pay attention that they are mounted in correct position , the handle facing outwards.

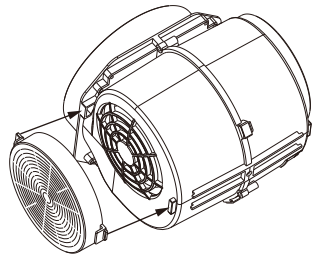


ACTIVATED CHARCOAL FILTER (RECIRCULATION VERSION)

These filters are not washable and cannot be regenerated, and must be replaced approximately every 4 months of operation, or more frequently with heavy usage.

REPLACING THE ACTIVATED CHARCOAL FILTER

- Remove the metal grease filters
- Remove the saturated activated charcoal filter.
- Fit the new filters.
- Replace the metal grease filters.



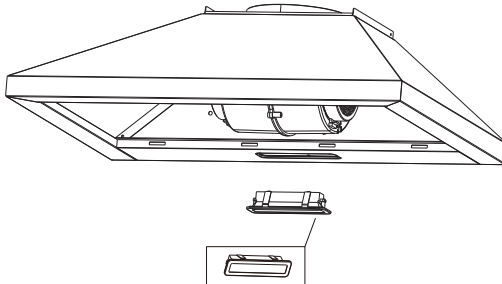
LIGHTING


LIGHT REPLACEMENT

Replacing the light modules

For rectangular LED :

- Remove the grease filter.
- Remove the light by levering its fitting from the hood body (this may require pressure or force to be applied).
- Disconnect the connector of the light.
- Replace the light with a new one of the same type, making sure that you connect the light with the light cable correctly.
- Reconnect the power by inserting the mains plug or by switching on the fuse.



Lamp type	Max power	Voltage	Picture	Lamp Cap	ILCOS D code
Self-ballasted LED modules	1.5W	220V-240V	 Square/Dimesion:33.2mmx120mm	--	DBS-1.5-H-33.2/120

TROUBLE SHOOTING

Fault	Cause	Solution
Light on, but motor does not work	The blades are blocked.	Check the blades.
	The capacitor is damaged.	Replace capacitor.
	The motor is damaged.	Replace motor.
	The internal wiring of motor is cut off/ disconnected. An unpleasant smell may be produced.	Replace motor.
Both light and motor do not work	Apart from the above mentioned, check the following:	
	Light damaged.	Replace lights.
Oil leakage	Power cord loose.	Connect the wires as the electric diagram.
	Outlet and the air ventilation entrance are not tightly sealed.	Take down the outlet and seal with glue.
Vibration	The blade, if damaged, can cause vibrating.	Replace the blade.
	The motor is not tightly fastened.	Fasten the motor tightly.
	The cooker hood is not tightly fixed.	Fixed the cooker hood tightly.
Insufficient suction	The distance between the cooker hood and the cooker top is too large.	Readjust the distance.
	Too much ventilation from open doors or windows.	Choose a new place to install the appliance or close some doors / windows.
The machine inclines	The fixing screws are not tight enough.	Tighten the fixing screw and make it horizontal.
	The hanging screws are not tight enough	Tighten the hanging screw and make it horizontal.

DISPOSAL OF OLD ELECTRICAL APPLIANCES



The European directive 2012/19/EU on Waste Electrical and Electronic Equipment (WEEE), requires that old household electrical appliances must not be disposed of in the normal unsorted municipal waste stream. Old appliances must be collected separately in order to optimize the recovery and recycling of the materials they contain, and reduce the impact on human health and the environment.

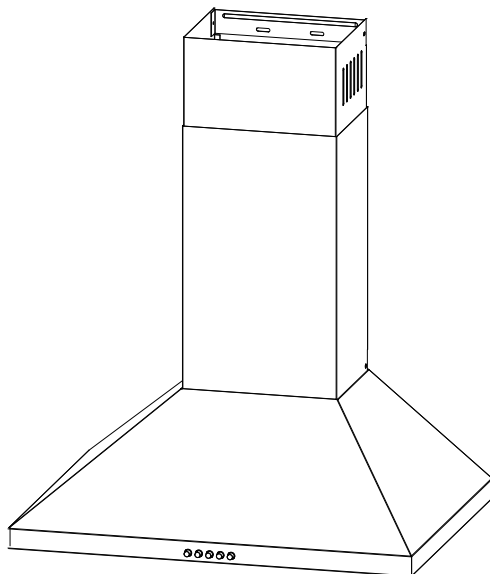
The crossed out "wheeled bin" symbol on the product reminds you of your obligation, that when you dispose of the appliance, it must be separately collected.

Consumers should contact their local authority or retailer for information concerning the correct disposal of their old appliance.



SRB

CHM6A17IX
CHM6A17W




ASPIRATOR

UPUTSTVO ZA UPOTREBU

Pre upotrebe proizvoda pažljivo pročitajte uputstvo

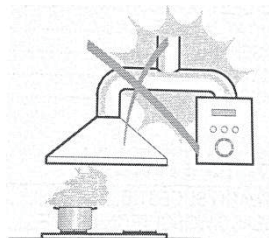
Slike u ovom uputstvu su samo za referencu, stvarni izgled proizvoda ima prednost.

PREPORUKE I SUGESTIJE

 Uputstva za upotrebu važe za više verzija ovog uređaja. Shodno tome, možete pronaći opise pojedinačnih funkcija koje se ne odnose na vaš konkretan uređaj.

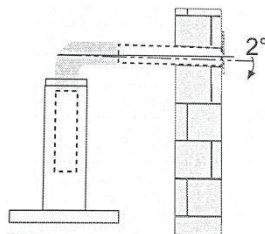
INSTALACIJA

- Proizvođač neće biti odgovoran za bilo kakvu štetu nastalu nepravilnim ili neodgovarajućim instaliranjem.
- Proverite da li mrežni napon odgovara onom naznačenom na natpisnoj pločici pričvršćenoj na unutrašnjoj strani uređaja.
- Za uređaje klase I, proverite da li napajanje u domaćinstvu poseduje adekvatno uzemljenje.
- Povežite izduvni ventilator sa izlaznom cevi minimalnog prečnika 120 mm.
- Izduvna cev treba da bude najkraća moguća.
- Ne povezujte aspirator sa sa izlaznim cevima koje prenose produktate sagorevanja (kotlevi, kamini, itd).
- Ukoliko uputstva za instalaciju za plinski šporet zahtevaju veće udaljenosti od gore navedenih, to treba uzeti u obzir.
- U slučaju da je kabl za napajanje oštećen, mora ga zameniti proizvođač ili njegov serviser ili slično kvalifikovana osoba, kako bi se izbegla opasnost.
- Vazduh se ne sme ispuštati u dimnjak koji se koristi za izduvavanje gasnih ili drugih goriva (ne primenjuje se na uređaje koji samo vraćaju vazduh u prostoriju).
- Minimalno rastojanje između ploče sa ringlama i najnižeg dela aspiratora mora biti 650 mm.
- Svi propisi koji se odnose na ispuštanje vazduha moraju biti ispunjeni.



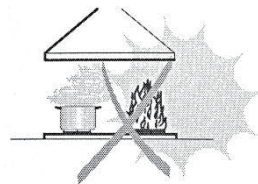
UPOTREBA


- Aspirator je namenjen isključivo za kućnu upotrebu radi uklanjanja mirisa iz kuhinje.
- Nikada ne koristite aspirator u druge svrhe osim u one za koje je namenjena.
- Nikada ne ostavljajte otvoreni plamen ispod aspiratora dok je u funkciji.
- Podesite jačinu plamena tako da direktno deluje samo na dno posude, pazeći da ne obuhvati bočne strane.
- Duboki tiganji za prženje moraju biti neprekidno nadgledani tokom upotrebe: pregrejano ulje može prouzrokovati vatru.
- Ovaj uređaj nije namenjen za upotrebu od strane osoba (uključujući decu) sa smanjenim fizičkim, senzornim ili mentalnim sposobnostima, ili nedostatkom iskustva i znanja, osim ukoliko im je pružen nadzor ili instrukcije u vezi sa upotrebom uređaja od strane osobe odgovorne za njihovu bezbednost.
- Deca treba da budu pod nadzorom kako bi se osiguralo da se ne igraju uređajem.
- Treba obezbediti adekvatnu ventilaciju prostorije kada se aspirator koristi istovremeno sa uređajima koji koriste gas ili druga goriva (ne primenjuje se na uređaje koji samo vraćaju vazduh u prostoriju).
- Postoji rizik od požara ukoliko se čišćenje ne obavlja u skladu sa uputstvima.
- Nemojte paliti hranu (flambirati) ispod aspiratora.
- **“PAZNJA:** Pristupačni delovi mogu postati vrući prilikom korišćenja kuhinjskih aparata.”



ODRŽAVANJE

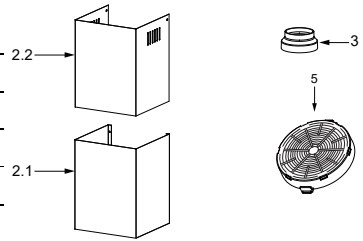
- Aspirator i filter treba redovno čistiti prema uputstvima.
- Isključite utikač uređaja iz električne utičnice pre čišćenja uređaja.
- Očistite haubu aspiratora koristeći vlažnu krpu i neutralni tečni deterdžent.
- Uređaj koristi maksimalno 4 grejne zone na šporetu.



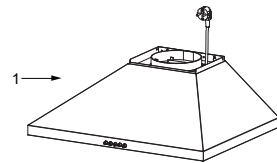
Simbol  na ambalaži ukazuje na to da se ovaj proizvod ne sme tretirati kao kućni otpad. Umesto toga, treba ga predati odgovarajućem sakupljaštu za recikliranje električne i elektronske opreme. Osiguravajući pravilno odlaganje ovog proizvoda, pomažete sprečavanju potencijalno negativnih posledica po životnu sredinu i ljudsko zdravlje, koje bi inače mogle nastati usled neadekvatnog rukovanja otpadom ovog proizvoda. Za detaljnije informacije o reciklaži ovog proizvoda, obratite se lokalnoj gradskoj upravi, službi za odlaganje kućnog otpada ili prodavnicu u kojoj ste kupili proizvod.

KOMPONENTE

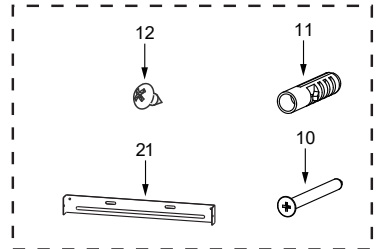
Br.	Kol.	Delovi proizvoda
1	1	Telo aspiratora, zajedno sa: kontrolama, svetlom, ventilatorom, filterom.
2.1	1	Donji dekorativni dimnjak
2.2	1	Gornji dekorativni dimnjak (opciono)
3	1	Flanša (opciono)
5	2	Aktivni ugljeni filter (opciono)



Kol.	Dokumentacija
1	Uputstvo za upotrebu

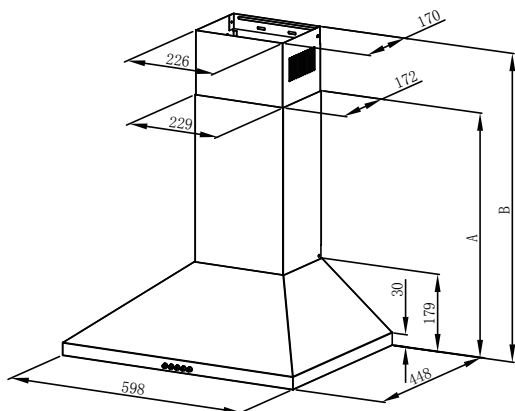
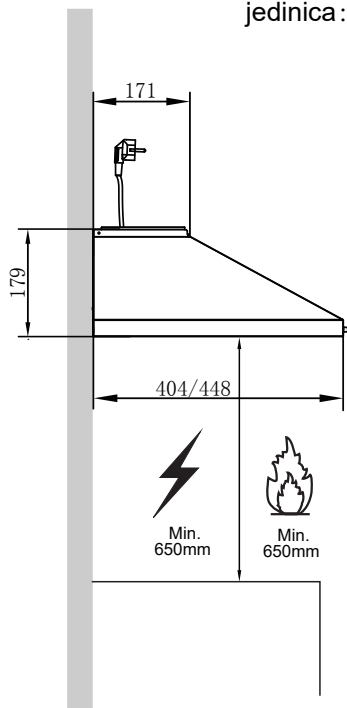
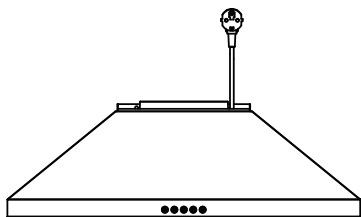
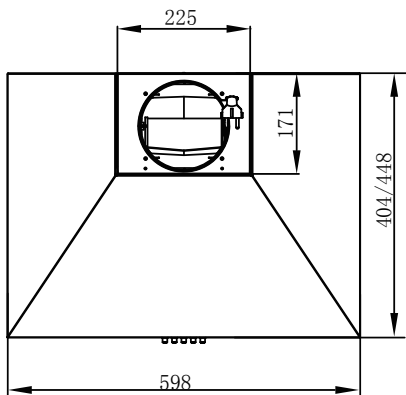


Br.	Kol.	Delovi za instalaciju
10	7	Vijci 5 x 50
11	7	Tiplovi za zid
12	6	Vijci 4,2 x 9,5 / Vijci 4 x 8
21	1	Nosač za fiksiranje dimnjaka (opciono)



DIMENZIJE

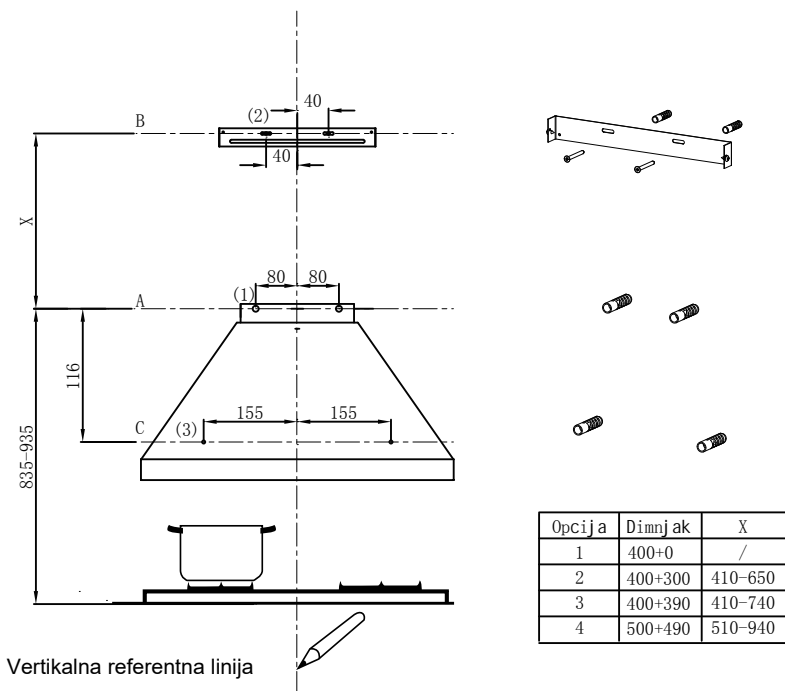
jedinica: mm



Opcija	Dimnjak	A	B
1	400+0	569	/
2	400+300	569	610-850
3	400+390	569	610-940
4	500+490	669	710-1140

INSTALACIJA

BUŠENJE ZIDA I MONTAŽA NOSAČA



Vertikalna referentna linija

Kao prvi korak, sledite sledeće crteže:

- Vertikalna linija do plafona ili gornje granice, i sredini oblasti u kojoj će aspirator biti postavljen.
- Horizontalna linija **A** na 835-935 mm iznad radne površine šporeta.
- Horizontalna linija **B** na **X** mm iznad horizontalne linije **A**.
- Horizontalna linija **C** na 116mm ispod horizontalne linije **A**.

Označavanje tačaka:

- Označite tačku (1) na horizontalnoj liniji **A**, 80 mm od vertikalne referentne linije.
- Ponovite ovu operaciju na drugoj strani, proveravajući da su obe oznake poravnate.
- Označite tačku (2) na horizontalnoj liniji **B**, 40 mm od vertikalne referentne linije.
- Ponovite ovu operaciju na drugoj strani, proveravajući da su obe oznake poravnate.
- Označite tačku (3) na horizontalnoj liniji **C**, 155 mm od vertikalne referentne linije.
- Ponovite ovu operaciju na drugoj strani, proveravajući da su obe oznake poravnate.

Fiksiranje nosača (opciono):

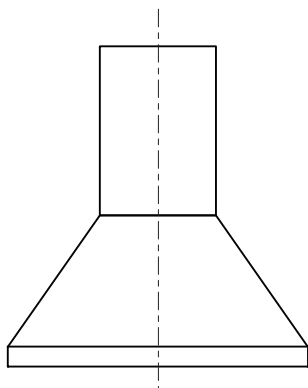
- Bušite na označenim tačkama sa burgijom prečnika $\phi 10$ mm.
- Umetnite zidne tiplove 11 u rupe.
- Zavrnite 2 vijka 10 (5 x 50) na zidne tiplove 11 na horizontalnoj liniji A; otprilike četiri petine dužine vijka 10 (5 x 50) je ušrafljeno u zidne tiplove 11, koji su korišćeni za zakačenje aspiratora.
- Pričvrstite držač za pričvršćivanje dimnjaka 21 sa 2 vijka 10 (5 x 50) na horizontalnoj liniji B.

Kačenje kućišta aspiratora

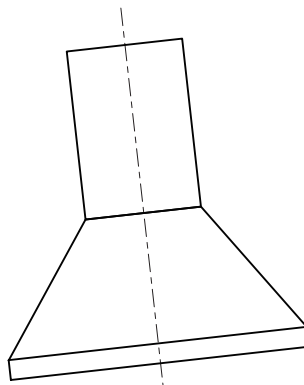
Zakačite telo aspiratora pomoću 2 vijka 10 (5 x 50) na horizontalnoj liniji A.

Podignite telo aspiratora.

Uklonite filter sa unutrašnje strane kućišta aspiratora, pričvrstite vijke 10 na zidne tiplove 11 na tačkama (3).



Ispravno



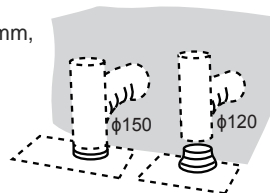
Pogrešno

POVEZIVANJE

ASPIRATOR SA IZDUVNIM SISTEMOM

Prilikom instalacije izduvnog aspiratora, povežite aspirator sa dimnjakom koristeći fleksibilnu ili krutu cev prečnika $\phi 150$ ili $\phi 120$ mm, a izbor zavisi od instalatera.

- Da biste instalirali priključak za odvod vazduha od $\phi 120$ mm, umetnite pribornicu reduktora 3 na izlaz kućišta aspiratora.
- Pričvrstite cev koristeći stezaljke za cev (nisu isporučene).
- Uklonite moguće ugljene filtere.

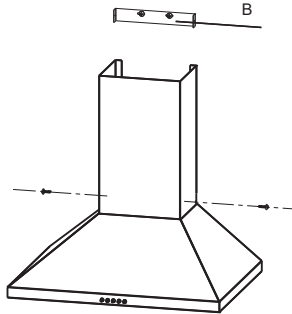


MONTAŽA DIMNJAKA

Dimnjak se može instalirati samo kod izduvnih aspiratora.

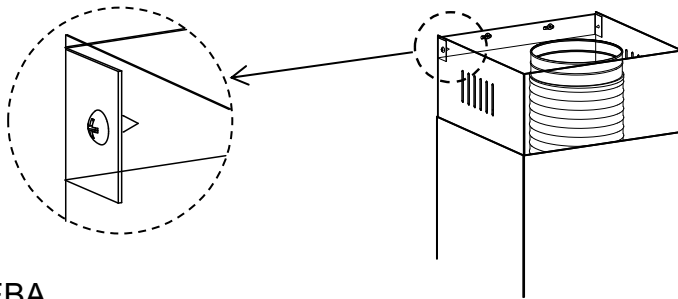
Donji dekorativni dimnjak

- Pričvrstite donji dekorativni dimnjak na telo aspiratora pomoću 2 vijka **12** (4.2 x 9.5) koji dolaze sa aspiratorom.



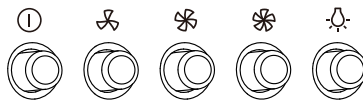
Gornji dekorativni dimnjak

- Pričvrstite gornji dimnjak na držač **21** sa 2 zavrtnja **12** (4.2 x 9.5) koji dolaze sa aspiratorom.



UPOTREBA

Podlašavanje brzine. (Za određene modele)



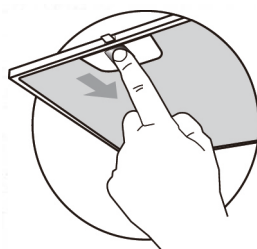
①	PREKIDAČ ZA ISKLJUČIVANJE MOTORA: Pritisnite ovaj prekidač da zaustavite rad motora.
⚙	PREKIDAČ BRZINE: Pritisnite ovaj prekidač, motor će raditi na NISKOJ brzini.
⚙	PREKIDAČ BRZINE: Pritisnite ovaj prekidač, motor će raditi na SREDNJOJ brzini.
⚙	PREKIDAČ BRZINE: Pritisnite ovaj prekidač, motor će raditi na VISOKOJ brzini.
💡	PREKIDAČ ZA UKLJUČIVANJE/ISKLJUČIVANJE SVETLA: Pritisnite ovaj prekidač da uključite svetla i ponovo pritisnite da ih isključite.

ODRŽAVANJE

FILTERI ZA MASNOĆU

ČIŠĆENJE METALNIH SAMONOSEĆIH FILTERA ZA MASNOĆU

- Filtere treba čistiti svaka 2 meseca rada, ili češće ukoliko je upotreba posebno intenzivna, i mogu se prati u mašini za pranje sudova.
- Izvucite filtere jedan po jedan gurajući ih prema zadnjem delu aspiratora i istovremeno ih povlačeći nadole.
- Prilikom pranja, izbegavajte savijanje filtera. Pre nego što ih ponovo postavite u aspirator, uverite se da su potpuno suvi. (Boja površine filtera može se promeniti tokom vremena, ali to ne utiče na efikasnost filtera).
- Prilikom postavljanja filtera u aspirator, obratite pažnju da su montirani u pravilnom položaju, sa ručkom okrenutom prema spolja.

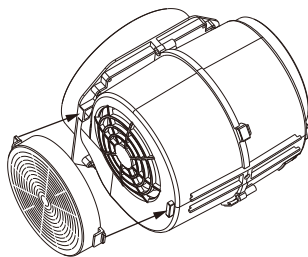


AKTIVNI UGLJENI FILTER (VERZIJA SA RECIRKULACIJOM)

Ovi filteri se ne mogu prati niti regenerisati i moraju se zameniti na otprilike svaka 4 meseca rada, ili češće ukoliko je upotreba intenzivna.

ZAMENA AKTIVNOG UGLJENOG FILTERA

- Uklonite metalne filtere za masnoću.
- Uklonite zamašćeni filter sa aktivnim ugljem.
- Postavite nove filtere.
- Vratite metalne filtere za masnoću na mesto.



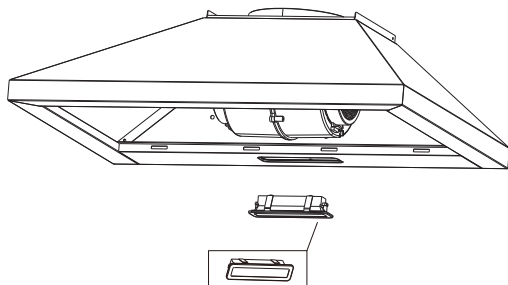
OSVETLJENJE

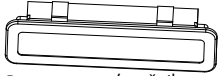
ZAMENA SIJALICE

Zamena modula svetla

Za pravougaono LED svetlo:

- Uklonite filter za masnoću.
- Uklonite sijalicu tako što ćete je izvući iz kućišta aspiratora (ovo može zahtevati pritisak ili silu) i odvojite konektor svetla.
- Isključite konektor svetla.
- Zamenite sijalicu novom istog tipa, pazeći da pravilno povežete sijalicu sa svetlosnim kablom.
- Ponovo povežite napajanje tako što ćete umetnuti glavni utikač u utičnicu ili uključiti osigurač.



Tip sijalice	Maks. snaga	Napon	Slika	Pokopac svetla	ILCOS D kod
LED moduli sa sopstvenim balastom	1.5W	220V-240V	 Pravougaona/prečnik: 33.2mmx120mm	--	DBS-1.5- H-33.2/120

REŠAVANJE PROBLEMA

Kvar	Uzrok	Rešenje
Svetlo je uključeno, ali motor ne radi	Oštrice su blokirane.	Proverite oštrice.
	Kondenzator je oštećen.	Zamenite kondenzator.
	Motor je oštećen.	Zamenite motor.
	Unutrašnje ožičenje motora je prekinuto / isključeno. Može se pojaviti neprijatan miris.	Zamenite motor.
Ne rade ni svetlo, ni motor	Osim gore navedenog, proverite sledeće:	
	Sijalica je oštećena.	Zamenite sijalicu.
	Kabl za napajanje je labav.	Povežite žice prema električnom dijagramu.
Curenje ulja	Izlaz i ulaz za ventilaciju vazduha nisu dobro zatvoreni.	Skinite izlazno crevo i zalepite lepkom.
Vibriranje	Oštrica, ako je oštećena, može izazvati vibracije.	Zamenite oštricu.
	Motor nije čvrsto pričvršćen.	Pričvrstite motor.
	Aspirator nije dobro pričvršćen.	Pričvrstite aspirator.
Slabo uvlačenje	Udaljenost između aspiratora i ploče šporeta je prevelika.	Prilagodite udaljenost.
	Previše ventilacije od otvorenih vrata ili prozore.	Izaberite novo mesto za instaliranje uređaja ili zatvorite neka vrata/prozore.
Uređaj se naginje	Vijci za pričvršćivanje nisu dovoljno zategnuti.	Zategnite zavrtanj za pričvršćivanje i postavite ga horizontalno.
	Vijci koji vise nisu zategnuti dovoljno.	Zategnite zavrtanj koji visi i postavite ga horizontalno.

ODLAGANJE ELEKTRIČNIH UREĐAJA

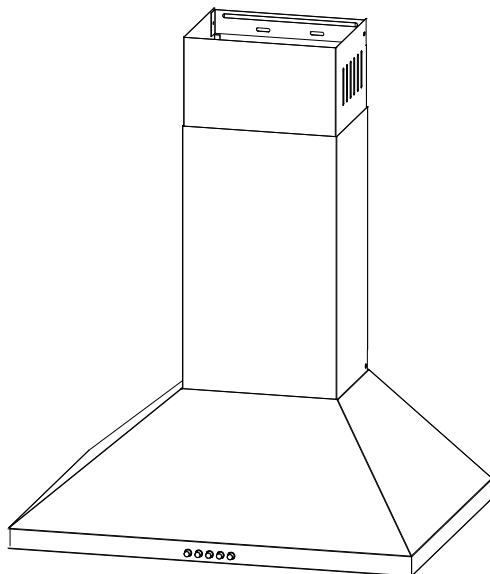


Evropska direktiva 2012/19/EU o otpadnoj električnoj i elektronskoj opremi (WEEE) zahteva da se stari električni aparati za domaćinstvo ne smeju odlagati u uobičajeni nesortirani tok komunalnog otpada. Stari uređaji se moraju sakupljati odvojeno kako bi se optimizovala obnova i reciklaža materijala koji sadrže i smanjio uticaj na zdravlje ljudi i životnu sredinu. Precrtani simbol „kante za otpatke“ na proizvodu podseća vas na vašu obavezu da kada odložite uređaj, on se mora posebno sakupljati. Potrošači treba da se obrate lokalnim vlastima ili prodavcu za informacije o pravilnom odlaganju svog starog uređaja.



SVN

CHM6A17IX
CHM6A17W




KUHINJSKA NAPA

NAVODILA ZA UPORABO

Pred uporabo natančno preberite ta priročnik

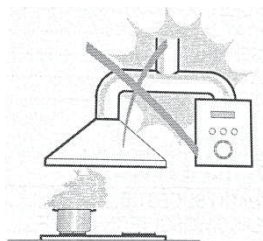
Slike v tem priročniku so samo za referenco, upoštevajte dejanski izgled.

PRIPOROČILA IN NASVETI

 Navodila za uporabo veljajo za več različic te naprave. Tako so lahko v navodilih opisi posameznih lastnosti, ki ne veljajo za vašo specifično napravo.

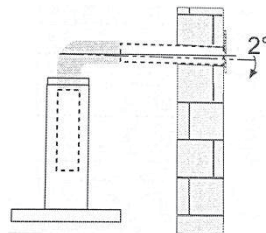
NAMESTITEV

- Proizvajalec ne prevzema odgovornosti za škodo, ki je posledica nepravilne namestitve.
- Najmanjša dovoljena razdalja med kuhhalno ploščo in nabo je 650 mm (nekatero modele lahko namestite nižje, glejte poglavja z delovnimi dimenzijami in navodili za namestitev)
- Preverite, ali omrežna napetost ustreza napetosti, navedeni na ploščici s tehničnimi podatki na kuhinjski napi.
- Pri napravah razreda I preverite, ali električno omrežje v gospodinjstvu omogoča zadovoljivo ozemljitev.
- Priključite nabo (ekstraktor) na izpušno dimno cev prek cevi z minimalnim premerom 120 mm. Pot dimne cevi mora biti čim krajša.
- Cev za odvod zraka kuhinjske nape ne sme biti nikoli napeljan v zračnik, na katerega je že priključen odvod zraka n.pr. grelnega telesa (radiatorja, grelca za vodo...).
- Če se napa uporablja skupaj z napravami, ki niso električne (na primer plinskimi napravami), mora biti zajamčeno ustrezno prezračevanje prostora, da bi preprečili povratni tok izpušnega plina. Kuhinja mora imeti odprtino, ki je povezana neposredno s svežim zrakom in omogoča dovod svežega zraka. Če kuhinjsko nabo uporabljate skupaj z napravami, ki delujejo na druge vrste energije razen električno, negativni tlak v prostoru ne sme preseči 0,04 mbar; to preprečuje vračanje dimnih plinov prek kuhinjske nape nazaj v kuhinjo.
- Če je električni kabel poškodovan, ga mora nemudoma zamenjati proizvajalec, njegov pooblaščen serviser ali ustrezno usposobljeno tehnično osebje, da preprečite nevarnost.
- Če navodila za namestitev nape določajo večjo razdaljo, kot je navedena zgoraj, morate ta navodila upoštevati. Upoštevati je treba predpise o izpustu zraka v okolico.



UPORABA


- Kuhinjska napa je namenjena uporabi v gospodinjstvih za odstranjevanje vonjav pri običajnem kuhanju.
- Nikoli ne uporabljajte nape za nobene druge namene razen za namene, za katere je zasnovana.
- Nikoli ne puščajte pod delujočo nabo visokih odprtih plamenov.
- Prilagodite intenzivnost plamenov tako, da se prilaga dnu posode in pazite, da plamen ne obližuje stranic posode.
- Posodo za pečenje in praženje je treba neprenehoma nadzorovati; pregreto olje zlahka zagori.
- Ne flambirajte hrane pod kuhinjsko nabo; nevarnost požara.
- Napravo smejo uporabljati otroci od 8 leta starosti dalje in ljudje z zmanjšanimi fizičnimi, čutnimi ali duševnimi sposobnostmi ali s pomanjkanjem izkušenj in znanja, če jo uporabljajo pod nadzorstvom ali so poučeni o varni uporabi naprave in o možnih posledičnih nevarnostih s strani osebe, ki je odgovorna za njihovo varnost.
- Otroke je treba nadzorovati in zagotoviti, da se ne igrajo z napravo.
- Otroci ne smejo opravljati postopkov čiščenja ali vzdrževanja naprav brez nadzora.
- "PREVIDNOST! Pri uporabi kuhalnikov se lahko dostopni deli kuhinjske nape močno segrejejo."

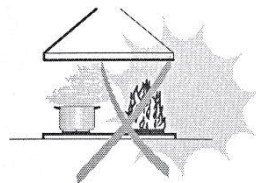


VZDRŽEVANJE

- Pred izvedbo katerega koli postopka vzdrževanja izključite napravo in izklopite električni kabel iz omrežja.
- Po določenem času očistite in/ali zamenjajte filtre (nevarnost požara).
- Napo očistite z vlažno krpo in z nevtralnimi gospodinjstvom tekočim detergentom.
- Naprava je primerna za največ 4 elemente kuhalne plošče.

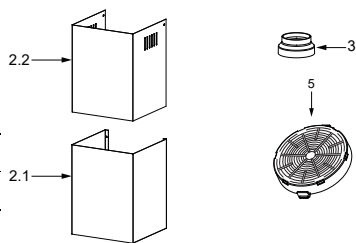


Simbol  na izdelku ali na njegovi embalaži označuje, da z izdelkom ni dovoljeno ravnati kot z običajnimi gospodinjstvom odpadki. Izdelek odpeljite na ustrezno zbirno mesto za predelavo električne in elektronske opreme. S pravilnim načinom odstranjevanja izdelka boste pomagali preprečiti morebitne negativne posledice in vplive na okolje in zdravje ljudi, ki bi se lahko pojavile v primeru nepravilnega odstranjevanja izdelka. Za podrobnejše informacije o odstranjevanju in predelavi izdelka se obrnite na pristojen mestni organ za odstranjevanje odpadkov, komunalno službo ali na trgovino, v kateri ste izdelek kupili.

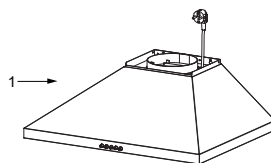


SESTAVNI DELI

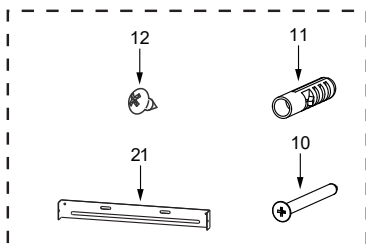
Št.	Količ.	Sestavni del
1	1	Ohišje nape, skupaj z: krmilniki, lučjo, ventilatorjem, filtrom.
2.1	1	Spodnji okrasni dimnik
2.2	1	Zgornji okrasni dimnik (možnost)
3	1	Prirobnica (možnost)
5	2	Filter z aktivnim ogljem (možnost)



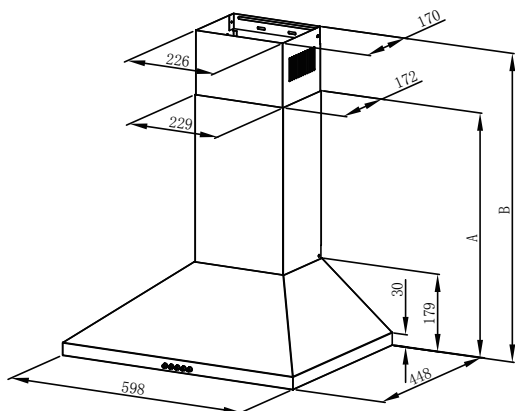
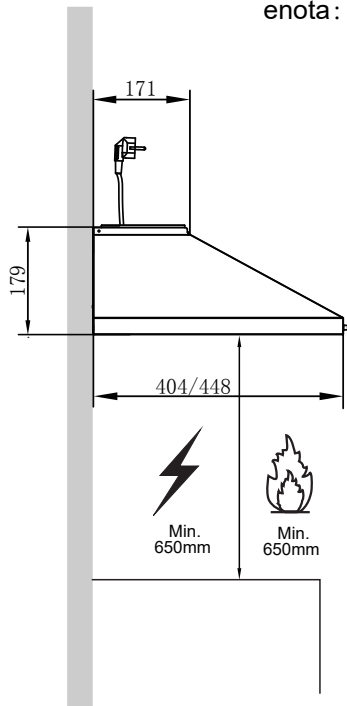
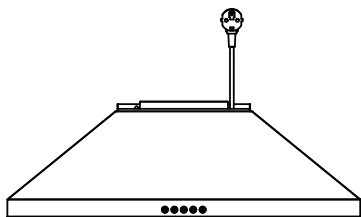
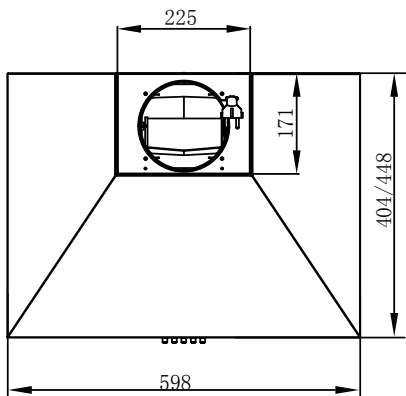
Količ.	Dokumentacija
1	Navodila za uporabo



Št.	Količ.	Deli za namestitvev
10	7	Vijaki 5 x 50
11	7	Stenski vijaki
12	6	Vijaki 4,2 x 9,5 / Vijaki 4 x 8
21	1	Nosilec za pritrditev dimnika (možnost)



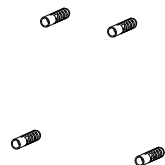
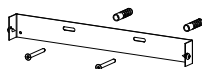
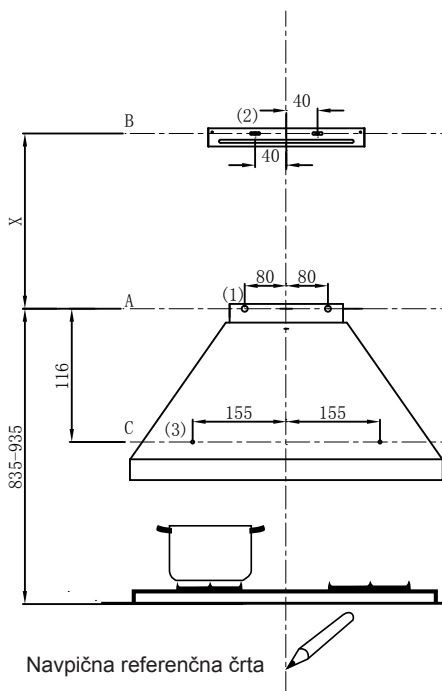
enota: mm



Možnost	Dimnik	A	B
1	400+0	569	/
2	400+300	569	610-850
3	400+390	569	610-940
4	500+490	669	710-1140

NAMESTITEV

VRTANJE V STENE IN PRITRDITEV NOSILCEV



Možnost	Dimnik	X
1	400+0	/
2	400+300	410-650
3	400+390	410-740
4	500+490	510-940

Kot prvi korak nadaljujte z naslednjimi risbami:

- Navpična referenčna črta do stropa oz. do najvišje meje, na sredini predela, kjer bo pritrjena napa.
- Vodoravna črta **A** na 835-935 mm nad zgornjo površino kuhalnika.
- Vodoravna črta **B** na **X** mm nad vodoravno črto **A**.
- Vodoravna črta **C** na 116mm pod vodoravno črto **A**.

Označbe

- Označite točko (1) na vodoravni črti **A**, 80 mm od navpične referenčne črte.
- Ponovite ta postopek na drugi strani in na navpični referenčni črti ter preverite, ali sta obe točki poravnani.
- Označite točko (2) na vodoravni črti **B**, 40 mm od navpične referenčne črte.
- Ponovite ta postopek na drugi strani in na navpični referenčni črti ter preverite, ali sta obe točki poravnani.
- Označite točko (3) na vodoravni črti **C**, 155 mm od navpične referenčne črte.
- Ponovite ta postopek na drugi strani in na navpični referenčni črti ter preverite, ali sta obe točki poravnani.

Pritrdite nosilca (Možnost):

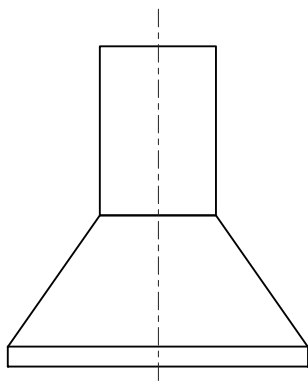
- Izvrtajte luknje v označene točke z $\phi 10$ mm svedrom.
- Vstavite zidne čepe **11** v luknje.
- Privijte 2 vijaka **10** (5 x 50) na stenske vložke **11** na vodoravni črti **A**; približno štiri petine dolžine vijakov **10** (5 x 50) smo privili v stenske vložke **11**, uporabljene za pritrnitev nape.
- Pritrdite nosilec za pritrnitev dimnika **21** z 2 vijakoma **10** (5 x 50) na vodoravno črto **B**.

Pritrdite ohišje nape:

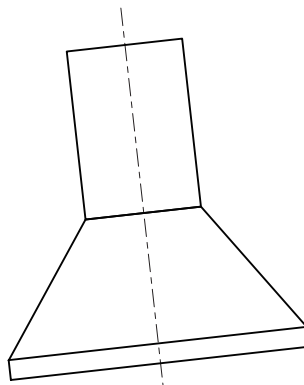
Pritrdite telo nape na 2 vijaka **10** (5 x 50) na vodoravni črti **A**.

Poravnajte ohišje nape.

Odstranite filter iz notranje strani ohišja nape, privijte vijake **10** v zidne čepe **11** na točkah (3).



Prav



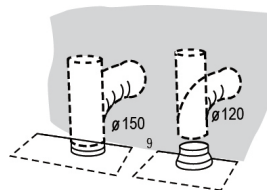
Napačno

PRIKLJUČKI

RAZLIČICA SISTEMA ZA ODVOD ZRAKA Z JAŠKOM

Pri nameščanju različice z jaškom spojite napo z dimnikom z uporabo bodisi gibke ali toge cevi s premerom $\phi 150$ ali $\phi 120$ mm, izbira je prepuščena monterju.

- Za namestitev $\phi 120$ mm priključka za odvod zraka vstavite reducirno prirobnico **3** na izpustno odprtino ohišja nape.
- Pridite cev **4** s pomočjo ustrezne objemke (ni priložena)
- Odstranite morebitne ogljene filtre.

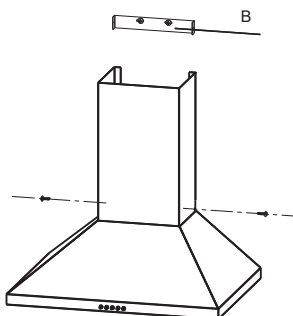


SESTAVLJANJE DIMNIKA

Dimnik je možno namestiti samo skupaj z izpušno napo..

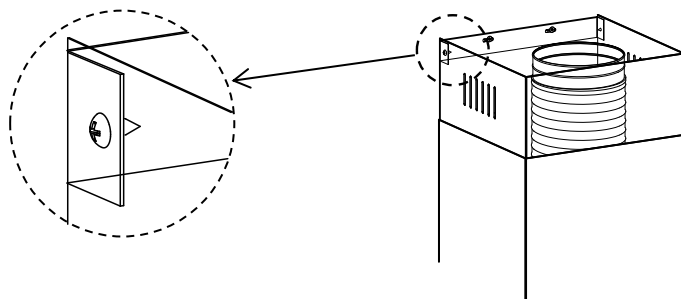
Spodnji okrasni dimnik

- Pritrdite nosilec za pritrnitev dimnika na spodnji okrasni dimnik z 2 vijakoma **12** (4.2 x 9.5), ki sta priložena napi.



Zgornji okrasni dimnik

- Pritrdite zgornji dimnik na okvir **21** s pomočjo 2 priloženih vijakov **12** (4.2 x 9.5).



UPORABA

Nastavitev hitrosti (Za nekatere modele)



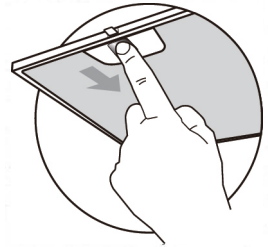
	STIKALO ZA IZKLOP MOTORJA: Pritisnite to stikalo, da zaustavite delovanje motorja.
	STIKALO ZA HITROST: Pritisnite na to stikalo, motor deluje z NIZKO hitrostjo.
	STIKALO ZA HITROST: Pritisnite na to stikalo, motor deluje pri SREDNJI hitrosti.
	STIKALO ZA HITROST: Pritisnite na to stikalo, motor deluje z VISOKO hitrostjo.
	STIKALO ZA VKLOP/IZKLOP LUČI: pritisnite na to stikalo, da vklopite luči, in ponovno pritisnite, da jih ugasnete.

VZDRŽEVANJE

MAŠČOBNI FILTRI

ČIŠČENJE KOVINSKIH MAŠČOBNIH FILTROV

- Filtre morate očistiti vsaka 2 meseca delovanja ali pogosteje pri intenzivni uporabi nape; filtre lahko operete v pomivalnem stroju.
- Odstranite filtre enega za drugim, tako da jih potisnete proti zadnji steni nape in jih obenem potiskate navzdol.
- Pri pranju filtrov pazite, da jih ne upognete. Preden jih ponovno namestite v napo, preverite, ali so popolnoma suhi. (Barva površine filtra se lahko sčasoma spremeni, vendar to nima nobenega vpliva na učinkovitost filtra).
- Ko nameščate filtre v napo, pazite, da so nameščeni v pravilni položaj z ročajem obrnjenim navzven.

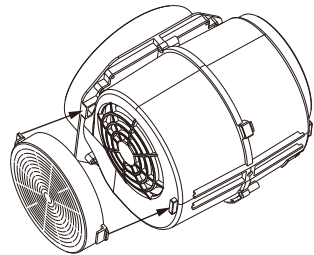


AKTIVIRANI OGLENI FILTER (RAZLIČICA S PONOVNIM KROŽENJEM)

Teh filtrov ni mogoče prati in regenerirati; zamenjati jih je potrebno pribl. vsake 4 mesece delovanja ali pogosteje pri intenzivni uporabi nape.

ZAMENJAVA FILTRA Z AKTIVNIM OGLJEM

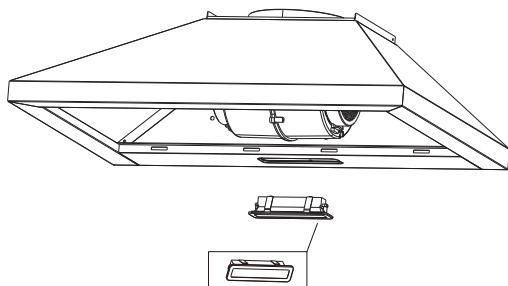
- Odstranite kovinske maščobne filtre.
- Odstranite nasičeni filter z aktivnim ogljem.
- Vstavite nove filtre.
- Ponovno namestite kovinske maščobne filtre.




Zamenjava svetlobnih modulov

Za pravokotno LED:

- Odstranite maščobni filter.
- Odstranite luč tako, da dvignete njen nastavek s telesa pokrova (to lahko zahteva pritisk ali uporabo sile).
- Odklopite konektor luči.
- Zamenjajte luč z novo istega tipa in se prepričajte, da ste luč pravilno priključili na svetlobni kabel.
- Ponovno priključite napajanje tako, da vstavite omrežni vtič ali vklopite varovalko.



	Najv. moč	Napetost	Slika	Pokrov svetilke	Koda ILCOS D
LED moduli z ločenim balastom	1.5W	220V-240V	 Kvadrat/premer:33.2mmx120mm	--	DBS-1.5-H-33.2/120

ODPRAVLJANJE NAPAK

Napaka	Vzrok	Rešitev
Lučka sveti, vendar motor ne deluje	Lopatice so blokirane.	Preverite lopatice.
	Kondenzator je poškodovan.	Zamenjajte kondenzator.
	Motor je poškodovan.	Zamenjajte motor.
	Notranja žična napeljava motorja je prerezana/odklopljena. Napa lahko oddaja neprijeten vonj.	Zamenjajte motor.
Lučka in motor ne delujeta	Poleg zgornjega preverite še naslednje:	
	Poškodovana lučka.	Zamenjajte lučko.
	Električni kabel izklopljen.	Povežite napeljavo v skladu z električno shemo.
Puščanje olja	Izstop in vstop za prezračevalni zrak nista ustrezno zatesnjena.	Snemite izstop in zatesnite z lepilom.
Vibracija	Če je lopatica poškodovana, lahko povzroča vibracije.	Zamenjajte lopatico.
	Motor ni dobro pritrjen.	Trdno pritržite motor.
	Napa ni trdno pritrjena.	Trdno pritržite napa.
Prešibko sesanje	Razdalja med napa in zgornjo stranjo kuhalnika je prevelika.	Prilagodite razdaljo.
	Premočno prezračevanje zaradi odprtih oken ali vrat.	Izberite nov prostor za namestitvev ali zaprite vrata/okna.
Napa je nagnjena	Fiksirni vijaki niso dovolj trdni.	Privijte fiksirne vijake, tako da bo napa vodoravna.
	Vijaki za obešanje nape niso dovolj trdno priviti	Privijte vijake ter poravnajte napa v horizontalni smeri

RAVNANJE Z ODSLUŽENIMI ELEKTRIČNIMI NAPRAVAMI



Evropska direktiva 2012/19/EU o odsluženi električni in elektronski opremi predpisuje, da odsluženi gospodinjstkih električnih aparatov ni dovoljeno odlagati skupaj z nerazvrščenimi gospodinjstskimi odpadki. Odslužene aparate je treba odlagati ločeno, da omogočite obnovo in recikliranje materialov, iz katerih so izdelani; tako zmanjšate negativni vpliv na okolje in na zdravje ljudi.

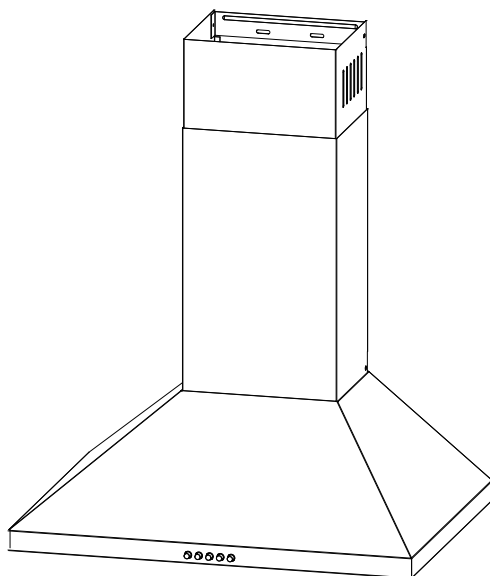
Prekrižani znak "smetnjaka" na napravi opozarja na vašo dolžnost, da morate z odsluženo napravo ravnati pravilno in jo predati v ustrezni zbirni center.

Prosimo, da se za informacije glede ravnanja z odsluženo napravo obrnete na lokalno službo za ravnanje s to vrsto odpadkov.



HRV

CHM6A17IX
CHM6A17W




KUHINJSKA NAPA

UPUTE ZA UPORABU

Pažljivo pročitajte ove upute prije uporabe.

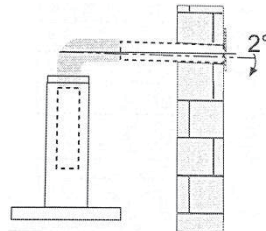
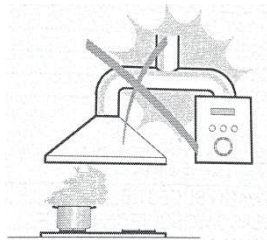
Slike u ovom priručniku služe samo kao referenca, prevladava proizvod u naravi.

PREPORUKE I SAVJETI

 Upute za uporabu odnose se na više modela. Zbog toga se može dogoditi da opisi i ilustracije ne odgovaraju u potpunosti vašem modelu uređaja.

INSTALACIJA

- Proizvođač neće snositi odgovornost za štete nastale uslijed nepravilne ili neprimjerene ugradnje.
- Minimalan sigurnosni razmak između površine ploče za kuhanje i nape je 650 mm (neke modele je moguće ugraditi i na manjoj visini - pogledajte odjeljke o dimenzijama i ugradnji).
- Provjerite odgovara li napon električne mreže podacima označenim na pločici s unutrašnje strane nape.
- Za uređaje klase I provjerite jesu li kućne električne instalacije spojene na uzemljenje.
- Napu spojite na ventilacijski sustav s cijevima promjera najmanje 120 mm. Cijev mora biti što je moguće kraća.
- Nemojte spajati napu na dimnjake kotlova, kamina i sl., koji služe za odvod dima nastalog uslijed sagorijevanja.
- Ukoliko u prostoriji koristite napu i uređaje koji se ne napajaju električnom energijom (primjerice uređaji na plin), potrebno je osigurati dovoljno prozračivanje prostora. Na ovaj način će se spriječiti vraćanje ispuštenog plina. Kuhinja mora imati otvor za direktan ulaz čistog zraka izvana. Kad se kuhinjska napa koristi zajedno s uređajima koji koriste vrstu energije različitu od električne, podtlak u prostoriji ne smije prelaziti 0,04 mbara kako bi se spriječilo uvlačenje isparina napom natrag u prostoriju.
- U slučaju oštećenja kabela napajanja, kabel treba zamijeniti ovlašteni serviser kako bi se spriječili eventualni rizici.
- Ako je u uputama za ugradnju plinske ploče za kuhanje navedena veća gore navedena udaljenost, to treba uzeti u obzir. Moraju se ispuniti propisi koji se odnose na ispuštanje zraka.




UPORABA

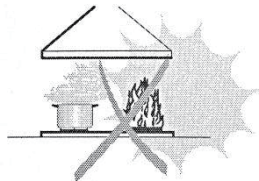
- Napa je proizvedena isključivo za uporabu u kućanstvima, za uklanjanje neugodnih mirisa iz kuhinje.
- Nikada nemojte koristiti napu u druge svrhe osim one za koju je dizajnirana.
- Nikada ne ostavljajte jak otvoreni plamen ispod nape dok je u radu.
- Podesite jačinu plamena tako da bude usmjeren samo na dno posude, pazeci da ne zahvati stranice.
- Budite oprezni tijekom prženja u ulju: pregrijano ulje može se zapaliti.
- Ne flambirajte ispod otvorene nape; opasnost od požara.
- Ovaj uređaj mogu koristiti djeca starija od 8 godina i osobe sa smanjenim fizičkim, osjetilnim ili mentalnim sposobnostima ili nedostatkom iskustva i znanja ako su pod nadzorom ili su dobili upute u vezi s korištenjem uređaja na siguran način i razumiju uključene opasnosti.
- Djecu treba nadzirati kako se ne bi igrala s uređajem.
- Djeca moraju biti pod nadzorom kako se ne bi igrala uređajem.
- "OPREZ: Dostupni dijelovi mogu se jako zagrijati pri uporabi uz kuhinjske uređaje."

ODRŽAVANJE

- Prije izvođenja postupaka održavanja isključite napu izvlačenjem utikača^a strujnog kabela iz zidne utičnice ili isključenjem glavne sklopke.
- Očistite i/ili zamijenite filtre nakon navedenog vremenskog razdoblja (opasnost od požara).
- Površine nape brišite krpom navlaženom neutralnim deterdžentom.
- Uređaj koristi najviše 4 elementa ploče za kuhanje.

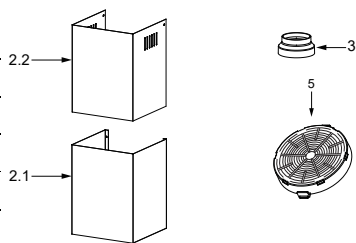


Simbol  na pakiranju označava da se ovaj proizvod ne smije tretirati kao kućni otpad. Umjesto toga treba ga predati na odgovarajuće sabirno mjesto za recikliranje električne i elektroničke opreme. Osiguravanjem pravilnog zbrinjavanja ovog proizvoda pomoći ćete u sprječavanju mogućih negativnih posljedica za okoliš i ljudsko zdravlje, koje bi inače mogle biti uzrokovane neprikladnim zbrinjavanjem ovog proizvoda. Za detaljnije informacije o recikliranju ovog proizvoda obratite se lokalnoj gradskoj upravi, službi za zbrinjavanje kućnog otpada ili trgovini u kojoj ste kupili proizvod.

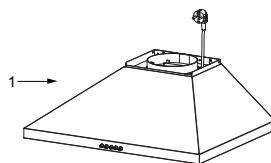


SASTAVNI DIJELOVI

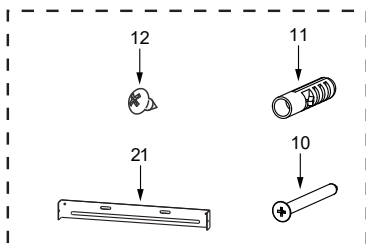
Br.	Kol.	Dijelovi proizvoda
1	1	Kućište nape, zajedno sa: kontrolama, svjetlom, ventilatorom, filterima.
2.1	1	Donji ukrasni dimnjak
2.2	1	Gornji ukrasni dimnjak (opcionalno)
3	1	Prirubnica (opcionalno)
5	2	Filter s aktivnim ugljenom (opcionalno)



Kol.	Dokumentacija
1	Upute za uporabu

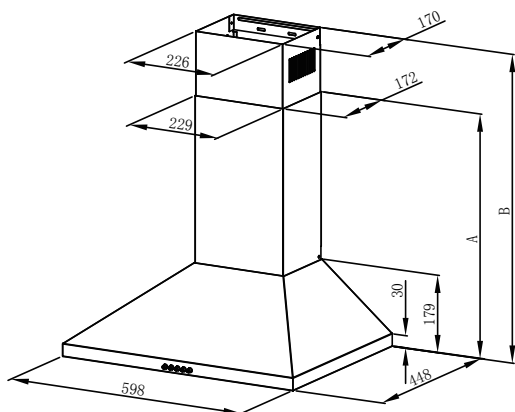
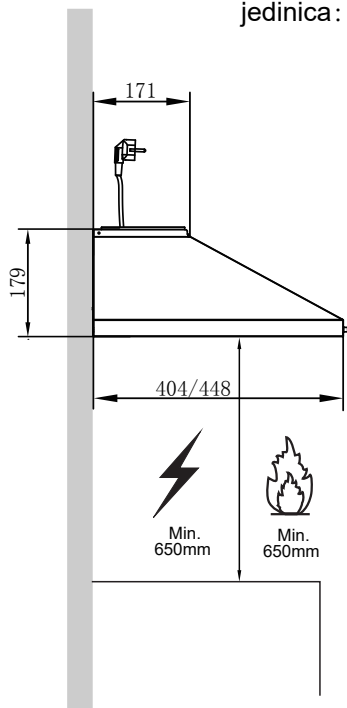
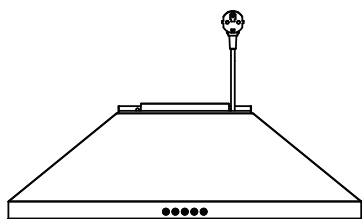
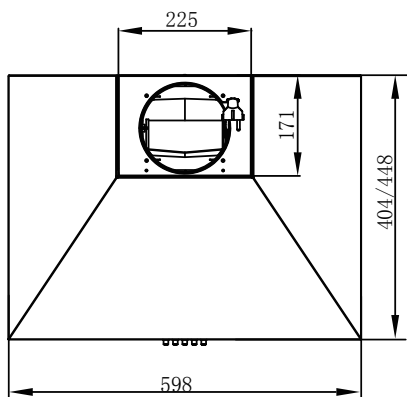


Br.	Kol.	Dijelovi proizvoda
10	7	Vijci 5 x 50
11	7	Zidne tiple
12	6	Vijci 4,2 x 9,5 / Vijci 4 x 8
21	1	Nosač za pričvršćivanje dimnjaka (opcionalno)



DIMENZIJE

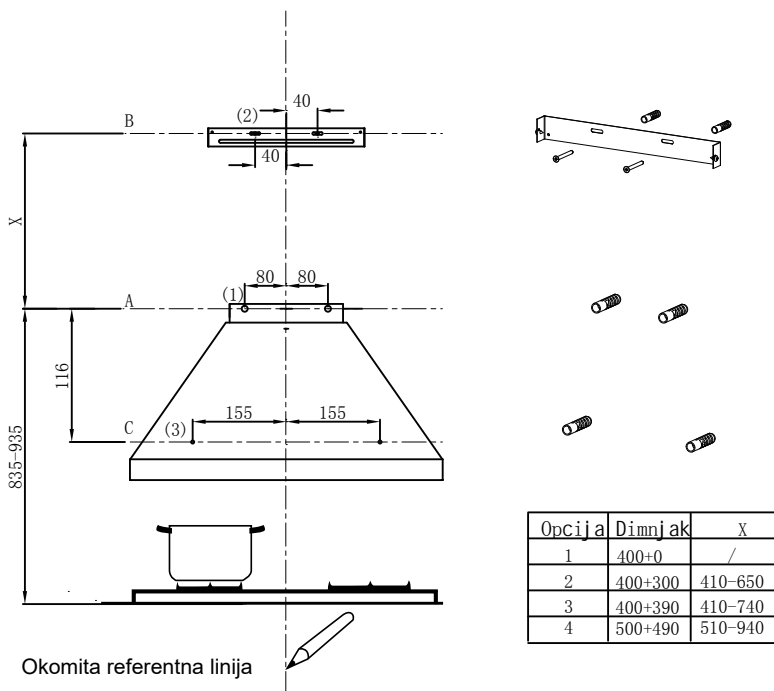
jedinica: mm



OpCija	Dimnjak	A	B
1	400+0	569	/
2	400+300	569	610-850
3	400+390	569	610-940
4	500+490	669	710-1140

UGRADNJA

BUŠENJE ZIDA I UČVRŠĆIVANJE NOSAČA



Kao prvi korak, nastavite sa sljedećim crtežima:

- Okomita linija do stropa ili do gornje granice, u središtu područja u koje se napa postavlja.
- Vodoravna linija **A** na 835-935 mm iznad ploče štednjaka.
- Vodoravna linija **B** na **X** mm iznad vodoravne linije **A**.
- Vodoravna linija **C** na 116mm ispod vodoravne linije **A**.

Označite točke:

- Označite točku (1) na vodoravnoj liniji **A**, 80 mm do okomite referentne linije.
- Ponovite ovu operaciju s druge strane, provjeravajući jesu li dvije oznake poravnate.
- Označite točku (2) na vodoravnoj liniji **B**, 40 mm do okomite referentne linije.
- Ponovite ovu operaciju s druge strane, provjeravajući jesu li dvije oznake poravnate.
- Označite točku (3) na vodoravnoj liniji **C**, 155 mm do okomite referentne linije.
- Ponovite ovu operaciju s druge strane, provjeravajući jesu li dvije oznake poravnate.

Pričvrstite nosače (opcionarno):

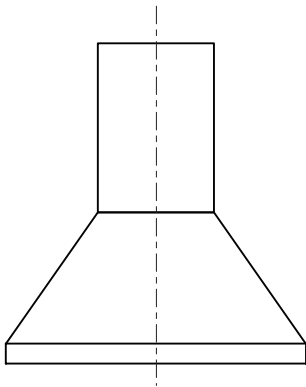
- Izbušite rupe na označenim mjestima svrdlom $\phi 10$ mm.
- Umetnite zidne tiple 11 u rupe.
- Pričvrstite 2 vijka 10 (5 x 50) na tiple 11 na vodoravnoj liniji A; otprilike četiri petine duljine vijaka 10 (5 x 50) je zavrnuto u zidne tiple 11, koje se koriste za pričvršćivanje nape.
- Pričvrstite držač za pričvršćivanje dimnjaka 21 s 2 vijka 10 (5 x 50) na vodoravnoj liniji B.

Zakačite tijelo nape

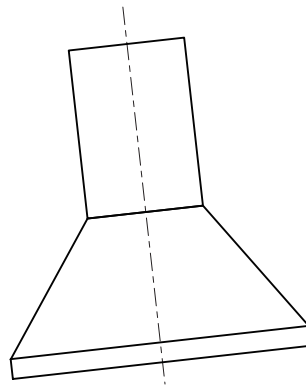
Pričvrstite tijelo nape na 2 vijka 10 (5 x 50) na vodoravnoj liniji A.

Izravnajte tijelo nape.

Uklonite filtar s unutarnje strane tijela nape, pričvrstite vijke 10 na zidne tiple 11 na mjestima (3).



Ispravno



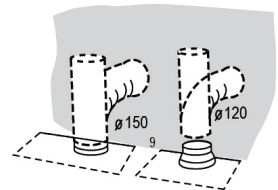
Pogrešno

PRIKLJUČCI

NAPA SA ISPUŠNIM SUSTAVOM

Kod ugradnje kanalske izvedbe spojite napu s dimnjakom pomoću savitljive ili krute cijevi $\phi 150$ ili $\phi 120$ mm, izbor je prepušten instalateru.

- Ako instalirate priključak za odvod zraka $\phi 120$ mm, umetnite priрубnicu reduktora 3 na izlaz kućišta nape.
- Pričvrstite cijev 4 na mjesto koristeći dovoljno stezaljki za cijevi (nisu isporučene).
- Uklonite moguće ugljene filtere.

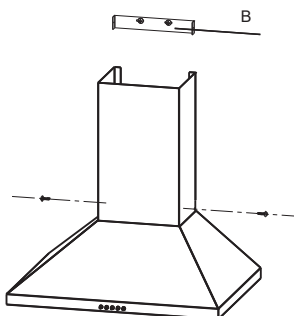


MONTAŽA DIMNJAKA

Dimnjak se može montirati samo s odsisnom napom.

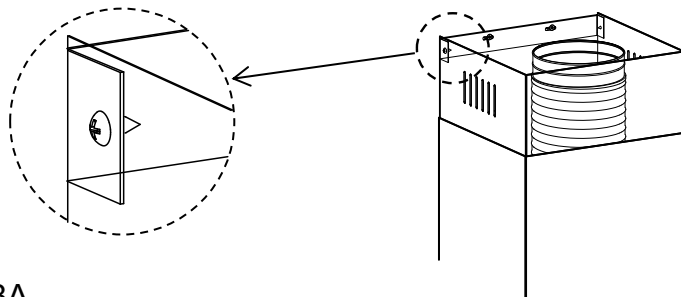
Donji ukrasni dimnjak

- Pričvrstite donji ukrasni dimnjak na tijelo nape pomoću 2 vijka **12** (4,2 x 9,5) koji se isporučuju s napom.



Gornji ukrasni dimnjak

- Pričvrstite gornji dimnjak na držač **21** s 2 vijka **12** (4,2 x 9,5) koji se isporučuju s napom.



UPORABA

Podšavanje brzine. (Za neke modele)



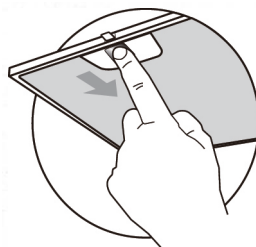
①	PREKIDAČ ZA ISKLJUČIVANJE MOTORA: Pritisnite ovaj prekidač za zaustavljanje rada motora.
🌀	PREKIDAČ BRZINE: Pritisnite ovaj prekidač, motor radi NISKOM brzinom.
🌀	PREKIDAČ BRZINE: Pritisnite ovaj prekidač, motor radi SREDNJOM brzinom.
🌀	PREKIDAČ BRZINE: Pritisnite ovaj prekidač, motor radi VELIKOM brzinom.
💡	PREKIDAČ ZA UKLJUČIVANJE/ISKLJUČIVANJE SVJETLA: Pritisnite ovaj prekidač da biste uključili svjetla, I pritisnite ga ponovo da biste ih ugasili.

ODRŽAVANJE

FILTERI ZA MASNOĆU

ČIŠĆENJE METALNIH SAMONOSEĆIH FILTERA ZA MASNOĆU

- Filtre je potrebno čistiti svaka 2 mjeseca rada, ili češće za posebno kod učestale uporabe, i mogu se prati u perilici posuđa.
- Uklonite filtre jedan po jedan gurajući ih prema stražnjoj strani nape i istovremeno povlačeći prema dolje.
- Prilikom pranja filtera treba izbjegavati bilo kakvo savijanje. Prije ponovnog postavljanja u napu provjerite jesu li potpuno suhe. (Boja površine filtera može se mijenjati tijekom vremena, ali to nema utjecaja na učinkovitost filtera).
- Prilikom postavljanja filtera u napu pazite da su postavljeni u ispravnom položaju, s ručkom okrenutom prema van.

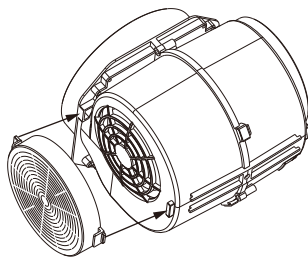


FILTAR S AKTIVNIM UGLJENOM (VERZIJA S CIRKULIRANJEM ZRAKA)

Ovi filtri se ne mogu prati i ne mogu se regenerirati, te se moraju zamijeniti otprilike svaka 4 mjeseca rada ili češće kod veće upotrebe.

ZAMJENA FILTRA S AKTIVNIM UGLJENOM

- Uklonite metalne filtere za masnoću
- Uklonite zasićeni filtar s aktivnim ugljenom.
- Postavite nove filtere.
- Vratite na mjesto metalne filtere za masnoću.



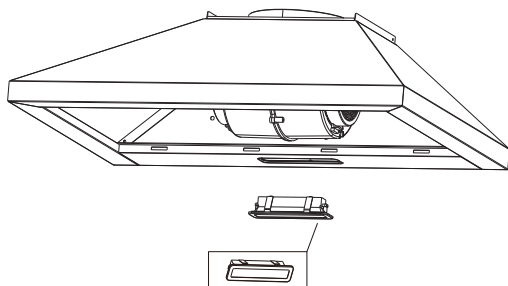
RASVJETA


ZAMJENA ŽARULJE

Zamjena svjetlosnih modula

Za pravokutni LED:

- Uklonite filtar za masnoću.
- Uklonite svjetiljku povlačenjem njezinog priključka s kućišta nape (to može zahtijevati primjenu pritiska ili sile).
- Odspojite konektor svjetla.
- Zamijenite svjetiljku novom iste vrste, pazeći da ste pravilno spojili svjetlo sa svjetlosnim kabelom.
- Ponovno priključite napajanje umetanjem mrežnog utikača ili uključivanjem osigurača.



	Maks. snaga	Napon	Slika	Pokopac svjetla	ILCOS D kod
LED moduli s vlastitim balastom	1.5W	220V-240V	 Kvadrat/promjer:33,2mmx120mm	/	DBS-1.5-H-33.2/120

RJEŠAVANJE PROBLEMA

Kvar	Uzrok	Rješenje
Svetlo je uključeno, ali motor ne radi	Oštrice su blokirane.	Provjerite oštrice.
	Kondenzator je oštećen.	Zamijenite kondenzator.
	Motor je oštećen.	Zamijenite motor.
	Unutarnje ožičenje motora je prekinuto/odspojeno. Može se pojaviti neugodan miris.	Zamijenite motor.
Ne rade ni svjetlo ni motor	Osim navedenog, provjerite sljedeće:	
	Žarulja je oštećena.	Zamijenite žarulju.
	Kabel za napajanje je labav.	Spojite žice prema električnoj shemi.
Curenje ulja	Izlaz i ulaz za ventilaciju zraka nisu pravilno zabrtvljeni.	Skinite odvodno crijevo i zalijepite ga ljepilom.
Vibriranje	Oštrica, ako je oštećena, može uzrokovati vibracije.	Zamijenite oštricu.
	Motor nije čvrsto pričvršćen.	Pričvrstite motor.
	Napa nije dobro pričvršćena.	Pričvrstite napu.
Slabo usisavanje	Udaljenost između nape i ploče za kuhanje je prevelika.	Podesite udaljenost.
	Previše ventilacije kroz otvorena vrata ili prozore.	Odaberite novo mjesto za instaliranje uređaja ili zatvorite neka vrata/prozore.
Uređaj se naginje	Vijci za pričvršćivanje nisu dovoljno zategnuti.	Zategnite pričvrсни vijak i postavite ga vodoravno.
	Viseći vijci nisu dovoljno zategnuti.	Zategnite viseći vijak i postavite ga vodoravno.

ODLAGANJE STARIH ELEKTRIČNIH UREĐAJA



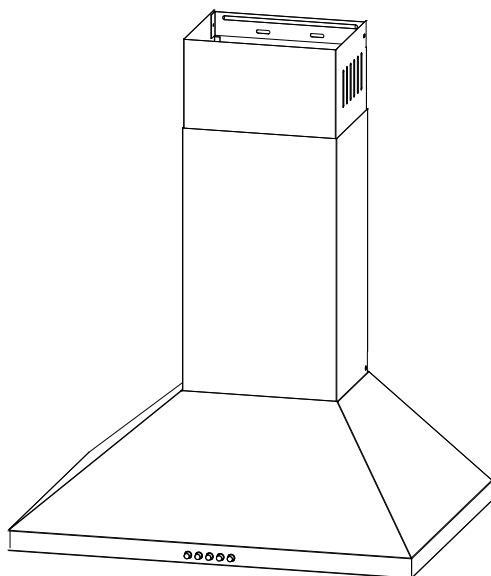
Europska Direktiva 2012/19/EU o otpadnoj električnoj i elektroničkoj opremi (WEEE) zahtijeva da se stari električni kućanski uređaji ne smiju odlagati u uobičajeni nerazvrstani gradski otpad. Stari uređaji moraju se prikupljati odvojeno kako bi se optimizirala uporaba i recikliranje materijala koje sadrže i smanjio utjecaj na ljudsko zdravlje i okoliš. Simbol prekrížene "kante za otpad" na proizvodu podsjeća vas na vašu obvezu da kada želite zbrinuti uređaj, mora se skupljati odvojeno. Potrošači bi se trebali obratiti svojim lokalnim vlastima ili trgovcu za informacije o pravilnom odlaganju svojih starih uređaja.



VOX

MKD

CHM6A17IX
CHM6A17W




АСПИРАТОР

УПАТСТВО ЗА УПОТРЕБА

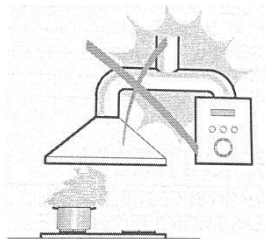
Внимателно прочитајте го ова упатство пред работа со уредот
Сликите во ова упатство се само за референца, преовладува
реалниот изглед на производот.

ПРЕПОРАКИ И ПРЕДЛОЗИ

 Упатствата за употреба се однесуваат на неколку верзии на овој апарат. Сепак може да најдете опис на посебни карактеристики кои не се однесуваат на овој апарат.

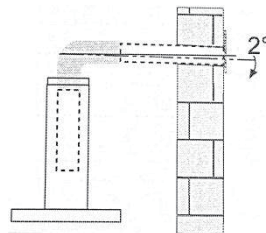
МОНТИРАЊЕ

- Произведувачот не носи одговорност за штета направена од неправилно и несоодветно монтирање.
- Минималното безбедно растојание меѓу горната површина на шпоретот и аспираторот е 650 мм. (некои модели може да се наместат на пониска висина, проверете во делот за работни димензии и монтирање).
- Проверете дали напонот на струјата одговара на оној кој е назначен на плочата која е фиксирана на внатрешната страна на аспираторот.
- За уредите од Класа I, проверете дали електричното снабдување гарантира соодветно заземјување.
- Поврзете го аспираторот со одводот преку цевка со минимум дијаметар од 120 мм. Патот на одводот мора да биде најкраток колку што е можно.
- Не поврзувајте го аспираторот со одводниот дел (цевка) кои носат гасови на согорување (бојлери, камини итн.)
- Ако аспираторот се користи со не-електрични апарати (пр. апарати на гас), мора да се обезбеди доволно проветрување во просторијата за да се спречи враќање на издувниот гас. Во кујната мора да има прозорец преку кој постојано ќе се врши проветрување. Кога аспираторот се користи со апарати кои се снабдуваат со енергија која не е електрична, негативниот притисок во просторијата не смее да надмине 0,04 мбар да се спречат гасовите да не се повратат во просторијата од аспираторот.
- Во случај на оштетување на напојниот кабел, мора да се замени од страна на производителот или овластен сервис за да не дојде до ризик од опасност
- Ако упатството за монтажа на плочата за готвење на гас одредува поголемо растојание наведено погоре, тоа треба да се земе предвид. Прописи за испуштање воздух треба да се исполнат.



УПОТРЕБА


- Аспираторот е дизајниран исклучиво за домашна употреба за да се отстранат кујнските мириси.
- Никогаш не употребувајте го за други цели освен за оние за кои е назначен.
- Никогаш не оставајте голем отворен пламен кога аспираторот работи.
- Прилагодете го интензитетот на пламенот да биде само на дното на тавата и внимавајте да не се движат по страните.
- Длабоките тави со масло мора постојано да ги набљудувате додека ги користите: загреаното масло може лесно да избувне во пламен.
- Не фламбирајте под аспираторот; опасност од пожар.
- Овој апарат може да го користат деца на возраст од 8 години и повеќе и лица со намалени физички, сетилни или ментални способности или недостаток на искуство и знаење доколку им се дадени надзор или инструкции за користење на апаратот на безбеден начин и ги разбираат вклучените опасности.
- Децата треба да се надгледуваат за да се осигура дека не си играат со апаратот.
- Чистењето и одржувањето не смеат да го вршат деца без надзор.
- **“ВНИМАНИЕ:** Достапните делови може да се загреат кога се користат со апарати за готвење”.

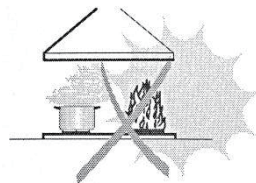


ОДРЖУВАЊЕ

- Исклучете го апаратот од струја кога ќе вршите било какво одржување.
- Исклестете и/или заменете ги филтрите по некој одреден период (опасност од пожар).
- Исклестете го аспираторот со влажна крпа и неутрален течен детергент.
- Апаратот користи најмногу 4 елементи за готвење.

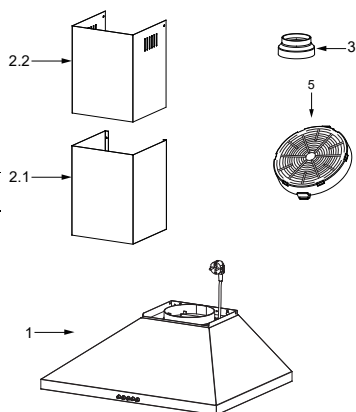


Симболот  на пакување покажува дека овој производ не може да се третира како домашен отпад. Наместо тоа, ќе се предаде на соодветното собирачко место за рециклирање на електрична и електронска опрема. Со обезбедување на правилно отстранување на овој производ, ќе помогнете да се спречат потенцијалните негативни последици по животната средина и здравјето на луѓето, кои инаку би можеле да бидат предизвикани од несоодветно постапување со отпадот на овој производ. За подетални информации за рециклирање на овој производ, ве молиме контактирајте ја локалната градска канцеларија, службата за отстранување на отпадот од домаќинството или продавницата каде што сте го купиле производот.



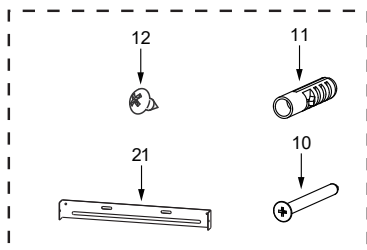
КОМПОНЕНТИ

Бр.	Кол.	Компоненти на производот
1	1	Тело на аспираторот, комплетно со: Контролни копчиња, Светло, Мотор, Филтер
2.1	1	Долен декоративен ојак
2.2	1	Горен декоративен ојак (избор)
3	1	Прирабница (избор)
5	2	Филтер со активен јаглен (избор)



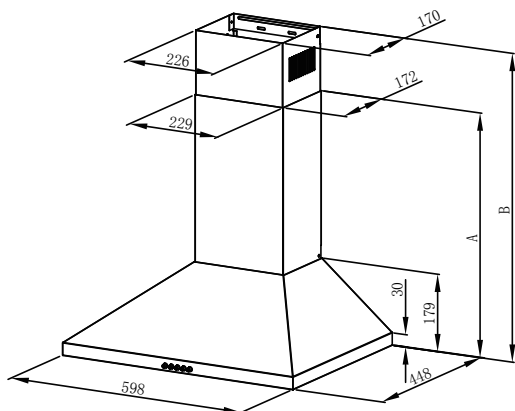
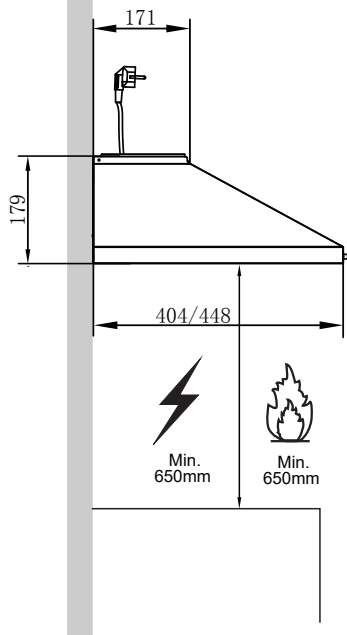
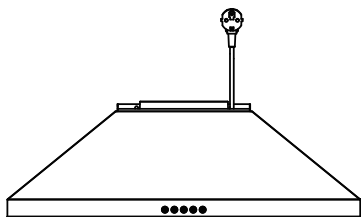
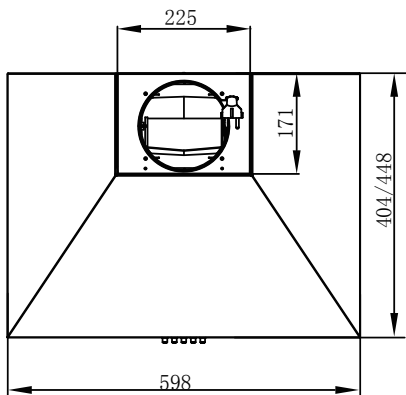
Кол.	Документација
1	Упатство за употреба

Бр.	Кол.	Компонентни за монтирањето
10	7	Навртки 5 x 50
11	7	Сидни типли
12	6	Навртки 4,2 x 9,5 / Навртки 4 x 8
21	1	Држач за прицврстување на ојакот



ДИМЕНЗИИ

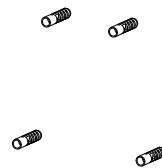
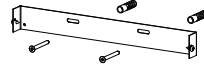
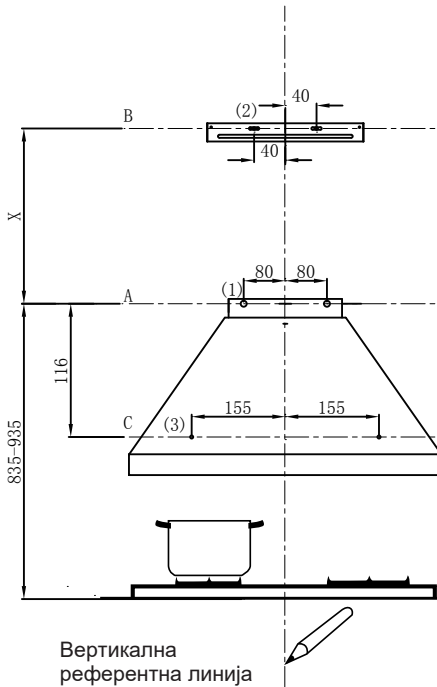
единица: mm



Опција	Оџак	A	B
1	400+0	569	/
2	400+300	569	610-850
3	400+390	569	610-940
4	500+490	669	710-1140

ИНСТАЛАЦИЈА

ДУПЧЕЊЕ ВО СИДОТ И ФИКСИРАЊЕ НА ДРЖАЧИТЕ



Опција	Оцка	X
1	400+0	/
2	400+300	410-650
3	400+390	410-740
4	500+490	510-940

Како прв чекор, продолжете со следните цртежи:

- Повлечете вертикална линија на потпорниот ѕид до таванот, или висока според потребите, во центарот на местото каде ќе биде монтиран аспираторот.
- Хоризонтална линија **A** на 835-935 mm над шпоретот.
- Хоризонтална линија **B** на X mm над хоризонталната линија **A**.
- Хоризонтална линија **C** на 116mm под хоризонталната линија **A**.

Обележете ги точки:

- Обележете точка (1) на хоризонталната линија **A**, 80 mm на вертикалната референтна линија.
- Повторете ја оваа операција на другата страна и на вертикалната референтна линија, проверувајќи дали двете ознаки се израмнети.
- Обележете точка (2) на хоризонталната линија **B**, 40 mm на вертикалната референтна линија.
- Повторете ја оваа операција на другата страна и на вертикалната референтна линија, проверувајќи дали двете ознаки се израмнети.
- Обележете точка (3) на хоризонталната линија **C**, 155 mm на вертикалната референтна линија.
- Повторете ја оваа операција на другата страна и на вертикалната референтна линија, проверувајќи дали двете ознаки се израмнети.

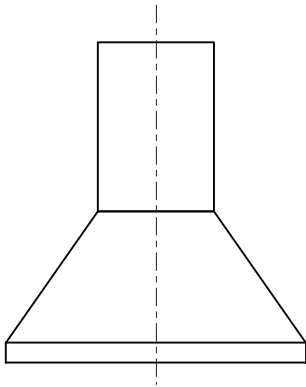
Прицврстете ги држачите (избор):

- Издупчете ги обележените точки со $\phi 10$ mm бургија
- Внесете ги сидните типли 11 во дупките..
- Зашрафете 2 навртки 10 (5 x 50) на сидните приклучоци 11 на хоризонталната линија **A**; приближно четирите петти должина на завртките 10 (5 x 50) се навртуваа во сидните приклучоци 11, кои се користат за закачување на аспираторот.
- Прицврстете го држачот за прицврстување на оџакот 21 со 2 навртки 10 (5 x 50) на хоризонталната линија **B**.

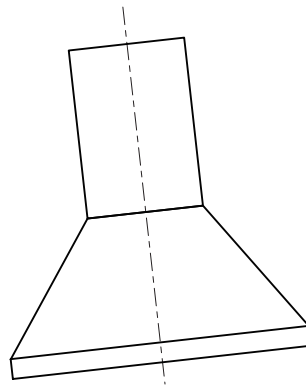
Закачете го телото на аспираторот

Закачете го телото на аспираторот за 2 навртки 10 (5 x 50) на хоризонталната линија **A**. Израмнете го телото на аспираторот.

Отстранете го филтерот од внатрешноста на телото на аспираторот, фиксирајте ги навртките 10 на сидните типли 11 на точките (3).



Точно



Погрешно

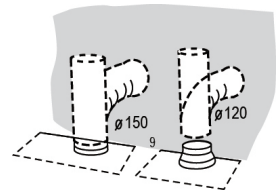
ПОВРЗУВАЊЕ

СИСТЕМ СО ОДВОД НА ЦЕВКИТЕ

СИСТЕМ СО ОДВОД НА ЦЕВКИТЕ

Кога ќе го монтирате моделот со цевки, поврзете го аспираторот со оџакот со помош на флексибилна или цврста цевка $\phi 150$ или $\phi 120$ mm, избор кој се остава на монтерот.

- За да монтирате $\phi 120$ mm поврзување со одвод на воздух, ставете ја редукционата фланша 3 на одводот на аспираторот.
- Фиксирајте ја цевката 4 во позиција со спојки за цевки (не се дадени).
- Отстранете ги филтрите со активен јаглен.

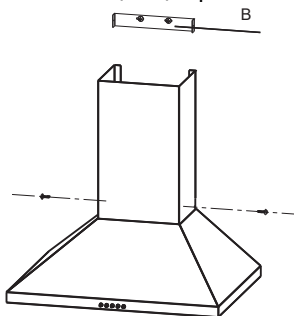


МЕСТЕЊЕ НА ОЏАКОТ

Оџакот може да се монтира само со аспиратор.

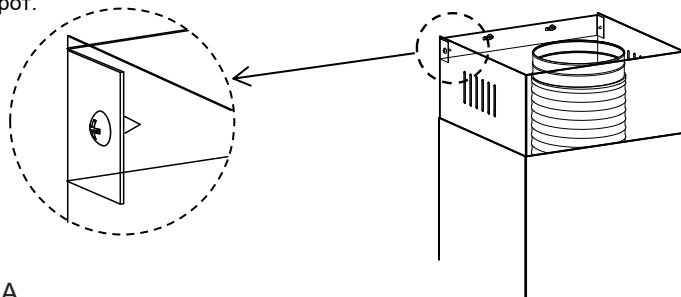
Долен декоративен оџак

- Прицврстете го долниот декоративен оџак на телото на аспираторот со 2 навртки **12** (4,2 x 9,5) испорачани со аспираторот.



Горен декоративен оџак

- Прицврстете го горниот оџак на држачот **21** со 2 навртки **12** (4,2 x 9,5) испорачани со аспираторот.



УПОТРЕБА

Прилагодување на брзината. (За некои модели)



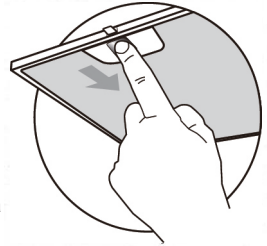
①	ИСКЛУЧУВАЊЕ НА МОТОРОТ: Притиснете го овој прекинувач за да ја прекинете работата на моторот.
🌀	ПРЕКИНУВАЧ ЗА БРЗИНА: Притиснете на овој прекинувач, моторот работи со НИСКА брзина.
🌀*	ПРЕКИНУВАЧ ЗА БРЗИНА: Притиснете на овој прекинувач, моторот работи со СРЕДНА брзина.
🌀**	ПРЕКИНУВАЧ ЗА БРЗИНА: Притиснете на овој прекинувач, моторот работи со ВИСОКА брзина.
💡	ВКЛУЧУВАЊЕ И ИСКЛУЧУВАЊЕ НА СВЕТОТО: Притиснете го овој прекинувач за да ги вклучите светлата и притиснете повторно за да ги исклучите.

ОДРЖУВАЊЕ

ФИЛТРИ ЗА МАСНОТИИ

ЧИСТЕЊЕ НА САМО-ПОТПОРНИТЕ ФИЛТРИ ЗА МАСНОТИИ

- Филтрите мора да се чистат на секои два месеца или почесто ако често се употребуваат и можат да се мијат во машина за садови.
- Отстранете ги филтрите еден по еден со туркање кон задната страна на аспираторот и повлекување во исто време надолу.
- Внимавајте да не се искриват кога ги миете. Нека се исушат целосно пред да ги ставите повторно. (Бојата на површината на филтерот може да се менува во текот на времето, но тоа нема влијание врз ефикасноста на филтерот).
- Кога ги ставате филтрите во аспираторот, внимавајте тие да бидат монтирани во правилна положба, рачката свртена нанадвор.

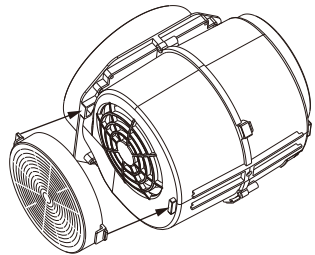


ФИЛТЕР СО АКТИВНИОТ ЈАГЛЕН (ВЕРЗИЈА СО КРУЖЕЊЕ)

Овие филтри не се мијат и не можат да се обноват, и мора да се заменат отприлика на секои 4 месеци или почесто ако се користи аспираторот интензивно.

ЗАМЕНА НА ФИЛТЕРОТ СО АКТИВНИОТ ЈАГЛЕН

- Извадете ги металните филтри за маснотии.
- Извадете ги филтрите со заситен јаглен.
- Поставете ги новите филтри.
- Вратете ги назад филтрите за маснотии.



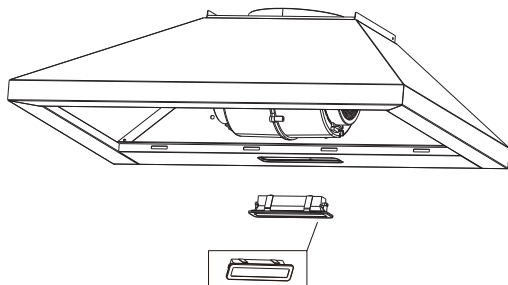
ОСВЕТЛУВАЊЕ


ЗАМЕНУВАЊЕ НА СВЕТЛОТО

Замена на светлосните модули

За правоаголни LED:

- Отстранете го филтерот за маснотии.
- Отстранете ја светилката со отстранување од телото на аспираторот (за ова може да биде потребно да се примени притисок или сила).
- Исклучете го приклучокот на светлото.
- Заменете го светлото со ново од ист тип, внимавајќи правилно да го поврзете светлото со кабелот за светло.
- Повторно приклучете го напојувањето со вметнување на приклучокот за струја или со вклучување на осигурувачот.



	Најгол. моќ	Напојување	Слика	Капак на светилка	ILCOS D код
LED модулите	1.5W	220V-240V	 Квадрат/дијаметар:33.2mmx120mm	/	DBS-1.5- H-33.2/120

РЕШАВАЊЕ ПРОБЛЕМИ

Проблем	Причина	Решение
Светло е вклучено, но моторот не работи	Сечилата се блокирани.	Заменете ги сечилата.
	Кондензаторот е оштетен.	Заменете го кондензаторот.
	Моторот е оштетен.	Заменете го моторот.
	Внатрешните жици на моторот се отсечени/исклучени. Може да се појави непријатен мирис.	Заменете го моторот.
Не работат и светлото и моторот	Освен горенаведеното, проверете го следново:	
	Оштетена светлина.	Заменете ги светлата.
Истекување на масло	Кабелот за напојување е лабав.	Поврзете ги жиците според електричниот дијаграм.
	Излезот и влезот за вентилација на воздухот не се цврсто затворени.	Извадете го штекерот и запечатете го со лепак.
Вибрации	Истекување од поврзувањето на делот и капакот во форма на буквата U.	Отстранете го делот во форма на буквата U и запечатете со сапун или боја.
	Сечилото, ако е оштетено, може да предизвика вибрации.	Заменете го сечилото.
	Моторот не е цврсто прицврстен.	Прицврстете го моторот.
Недоволно вшмукување	Аспираторот не е цврсто фиксиран.	Цврсто фиксирајте го аспираторот.
	Растојанието помеѓу аспираторот и горниот дел од шпоретот е преголемо.	Повторно прилагодете го растојанието.
Апаратот се наклонува	Премногу вентилација од отворени врати или прозорци.	Изберете ново место за инсталирање на апаратот или затворете некои врати/прозорци.
	Завртките за прицврстување не се доволно затегнати.	Затегнете ја завртката за прицврстување и направете ја хоризонтална.
	Висечките завртки не се доволно затегнати	Затегнете ја висечката завртка и направете ја хоризонтална.

ОТСТРАНУВАЊЕ НА СТАРИ ЕЛЕКТРИЧНИ АПАРАТИ



Европската директива 2012/19/EU за отпадна електрична и електронска опрема (OEEE) бара старите електрични апарати за домаќинство да не се фрлаат во нормалниот несортиран комунален отпад. Старите апарати мора да се собираат посебно за да се оптимизира обновувањето и рециклирањето на материјалите што ги содржат и да се намали влијанието врз здравјето на луѓето и животната средина.

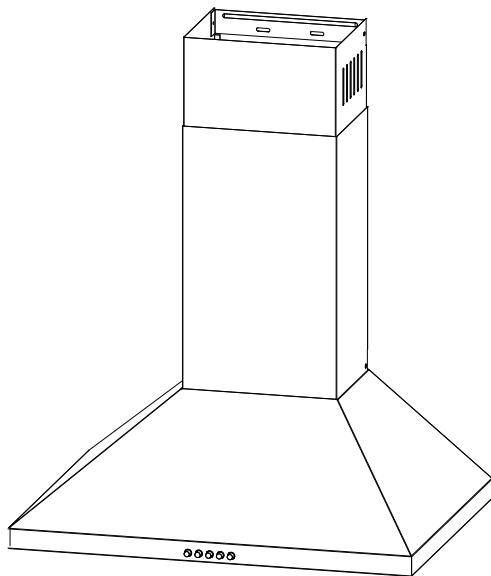
Пречкртаниот симбол „канта со тркала“ на производот ве потсетува на вашата обврска, дека кога го фрлате апаратот, тој мора да се собира посебно.

Потрошувачите треба да контактираат со нивните локални власти или продавач за информации во врска со правилното отстранување на нивниот стар апарат.



POR

CHM6A17IX
CHM6A17W




EXAUSTOR DE COZINHA

MANUAL DE INSTRUÇÕES

Leia atentamente este manual antes da primeira utilização.

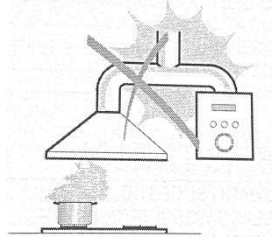
As imagens deste manual servem apenas de referência, não prevalecendo sobre o produto adquirido

RECOMENDAÇÕES E SUGESTÕES

 As instruções de utilização aplicam-se às várias versões deste aparelho. Como tal, poderá encontrar algumas descrições de características particulares que não se aplicam especificamente ao seu aparelho.

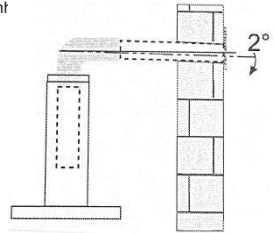
INSTALAÇÃO

- O fabricante não se responsabiliza por quaisquer danos resultantes de uma instalação incorrecta ou inadequada.
- Verifique se a tensão da sua rede doméstica corresponde à indicada na placa técnica afixada no interior do exaustor.
- Para aparelhos da classe I, deve garantir que a sua rede alimentação eléctrica doméstica garante uma adequada ligação terra.
- Ligue o exaustor ao tubo de escape através de um tubo com diâmetro mínimo de 120 mm.
- O trajecto e extensão da chaminé devem ser o mais curto possível.
- Não ligue o exaustor a condutas de exaustão que transportem outros fumos de combustão como caldeiras, lareiras ou aparelhos similares.
- Se as instruções de instalação da placa de fogão a gás indicarem uma distância superior à indicada acima, será essa (a da placa do fogão) que deverá ter em conta.
- Se o cabo de alimentação estiver danificado, deve ser substituído pelo fabricante ou pelo seu agente de assistência técnica ou por um técnico com qualificações semelhantes, de modo a evitar riscos.
- O ar não deve ser descarregado numa chaminé utilizada para a exaustão de fumos de aparelhos a gás ou outros combustíveis (não aplicável a aparelhos que apenas descarregam o ar de volta para a divisão).
- A distância mínima entre superfície de apoio dos recipientes de cozedura da placa de fogão e a parte inferior do exaustor é de 650 mm.
- Os regulamentos e legislação relativos à descarga de ar têm de ser obrigatoriamente cumpridos.



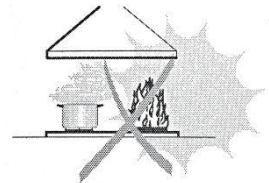
UTILIZAÇÃO


- O exaustor foi concebido exclusivamente para uso doméstico e para eliminar odores de cozinha
- Nunca utilize o exaustor para fins diferentes daqueles para o qual foi concebido.
- Nunca deixe chamas altas e descobertas sob o exaustor quando este estiver ligado.
- Regule a intensidade da chama de modo a direccioná-la apenas para o fundo da fritadeira, certificando -se de que não se espalha para fora da sua base nem para os lados.
- As fritadeiras devem ser constantemente monitorizadas durante a sua utilização dado que o óleo sobreaquecido pode incendiar-se.
- Este aparelho não se destina a ser utilizado por pessoas (incluindo crianças) com capacidades físicas, sensoriais ou mentais reduzidas nem com falta de experiência e conhecimento, a menos que tenham recebido supervisão ou instruções relativas à utilização do aparelho por uma pessoa responsável pela sua segurança.
- As crianças devem ser acompanhadas para garantir que não brincam com o aparelho.
- Deve haver uma ventilação adequada do local sempre que o exaustor for utilizado em simultâneo com outros aparelhos que queimem gás ou outros combustíveis (não aplicável a aparelhos que apenas descarregam o ar para o local).
- Se a limpeza não for efectuada de acordo com as instruções, tal representa um claro risco de incêndio.
- Não acenda nenhuma chama debaixo do exaustor.
- **"ATENÇÃO:** As partes acessíveis podem ficar quentes quando utilizadas com aparelhos de cozinha".



MANUTENÇÃO

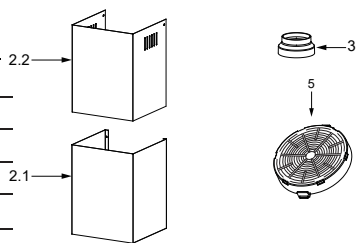
- O exaustor e respectivo filtro devem ser limpos regularmente e de acordo com as instruções.
- Desligue e retire a ficha da tomada antes de efectuar qualquer trabalho de manutenção.
- Limpe o exaustor com um pano húmido e um detergente líquido neutro.
- O aparelho utiliza no máximo 4 elementos de placa.



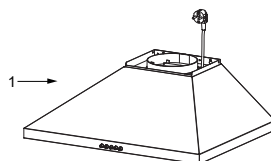
O símbolo  presente na embalagem indica que este produto não pode ser tratado como lixo doméstico e deve ser entregue num ponto de recolha válido para a reciclagem de equipamentos eléctricos e electrónicos. Ao garantir que este produto é eliminado correctamente, está a ajudar a evitar potenciais consequências negativas para o ambiente e para a saúde humana, que poderiam ser causadas por um manuseamento inadequado dos resíduos deste produto. Para obter informações mais detalhadas sobre a reciclagem deste produto, contacte os serviços do seu município, o serviço de recolha e eliminação de resíduos domésticos ou a loja onde adquiriu o produto.

COMPONENTES

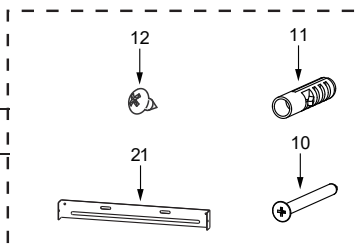
Ref.	Qtd.	Componentes do produto
1	1	Corpo do exaustor, completo com: Controlos, luz, ventilador, filtro.
2.1	1	Chaminé decorativa inferior
2.2	1	Chaminé decorativa superior (opcional)
3	1	Flange (opcional)
4	1	Tubo de escape
5	2	O filtro de carvão incluído (opcional)



Qtd.	Documentação
1	Manual de instruções

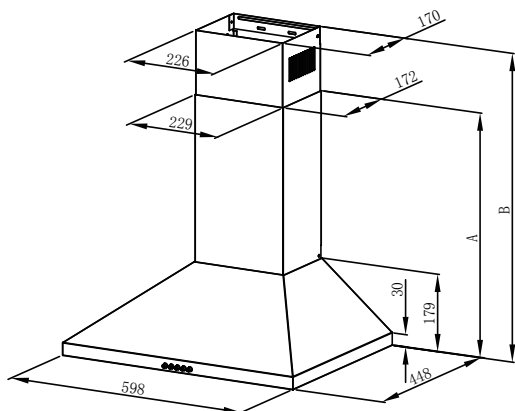
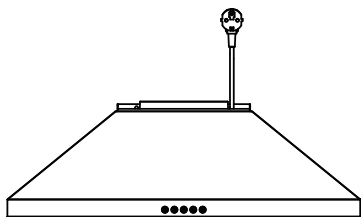
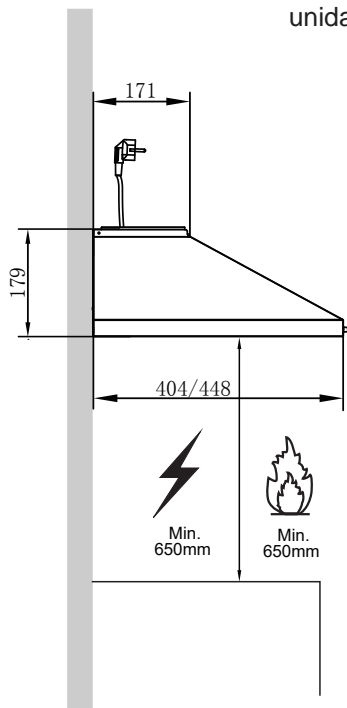
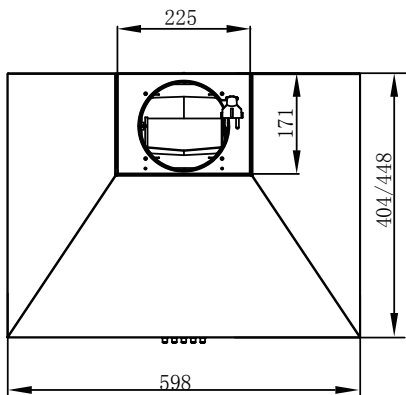


Ref.	Qtd.	Componentes de instalação
10	7	Parafusos 5 x 50
11	7	Tomadas de parede
12	6	Parafusos 4,2 x 9,5 / Parafusos 4 x 8
21	1	Suporte de fixação da chaminé (0/1 opcional)



DIMENSÕES

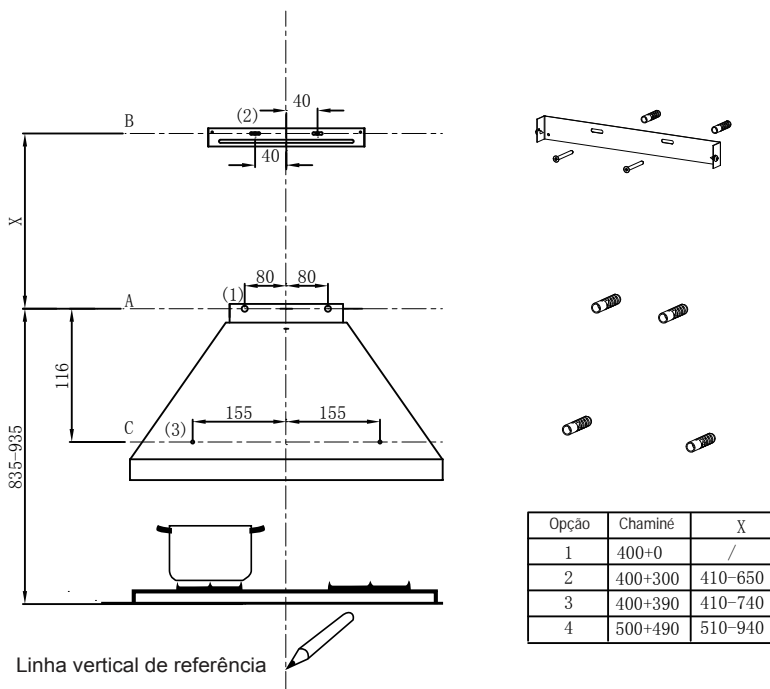
unidade: mm



Opção	Chaminé	A	B
1	400+0	569	/
2	400+300	569	610-850
3	400+390	569	610-940
4	500+490	669	710-1140

INSTALAÇÃO

PERFURAÇÃO DA PAREDE E FIXAÇÃO DO SUPORTE



Na primeira fase, proceda conforme os seguintes desenhos:

- Uma linha vertical até ao teto ou até ao limite superior, no centro da área em que o exaustor deve ser instalado.
- Uma linha horizontal **A** a 835-935 mm acima do tampo do fogão.
- Uma linha horizontal **B** a **X** mm acima da linha horizontal **A**.
- Uma linha horizontal **C** a 116mm abaixo da linha horizontal **A**.

Marcar os pontos:

- Marcar um ponto (1) na linha horizontal **A**, 80 mm da linha vertical de referência.
- Repetir esta operação do outro lado, verificando se as duas marcas estão na mesma linha horizontal.
- Marcar um ponto (2) na linha horizontal **B**, 40 mm da linha vertical de referência.
- Repetir esta operação do outro lado, verificando se as duas marcas estão na mesma linha horizontal.
- Marcar um ponto (3) na linha horizontal **C**, 155 mm da linha vertical de referência.
- Repetir esta operação do outro lado, verificando se as duas marcas estão na mesma linha horizontal.

Fixe os suportes (facultativo):

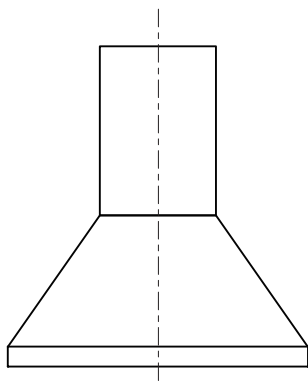
- Abra furos nos pontos marcados com uma broca de $\phi 10$ mm.
- Introduza as buchas (11) nos orifícios.
- Aparafuse 2 parafusos **10** (5x50) nas buchas **11** na linha horizontal **A**; aproximadamente quatro quintos do comprimento dos parafusos **10** (5 x 50) foram aparafusados nas buchas **11**, utilizadas para prender o exaustor.
- Fixe um suporte de fixação da chaminé **21** com 2 parafusos **10** (5 x 50) na linha horizontal **B**.

Encaixe o corpo do aparelho

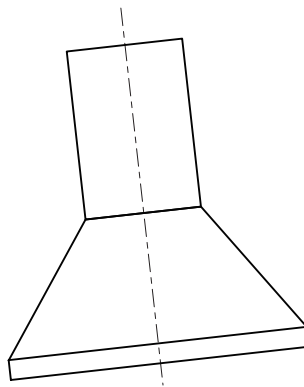
Prenda o corpo do aparelho aos 2 parafusos **10** (5 x 50) na linha horizontal **A**.

Nivele o corpo do aparelho.

Retire o filtro do interior do corpo do aparelho, fixe os parafusos **10** às buchas **11** nos pontos (3).



Correcto



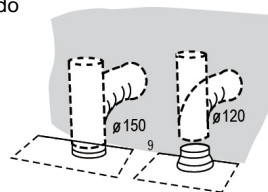
Errado

CONEXÕES

SISTEMA DE EXAUSTÃO DE AR DA VERSÃO COM CONDUTAS

Ao instalar a versão com condutas, ligue o exaustor à chaminé utilizando um tubo flexível ou rígido de $\phi 150$ ou $\phi 120$ mm, ficando a escolha a cargo do instalador.

- Se instalar uma ligação de exaustão de ar de $\phi 120$ mm, insira a flange de redução **3** na saída do corpo do exaustor.
- Fixe o tubo **4** na posição correcta utilizando braçadeiras de tubo suficientes (não incluídas na embalagem).
- Remova eventuais filtros de carvão.

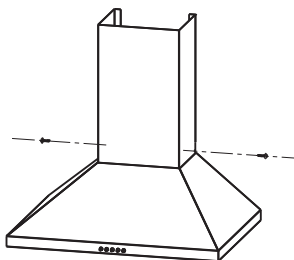


CONJUNTO DA CHAMINÉ

A chaminé só pode ser instalada com um exaustor.

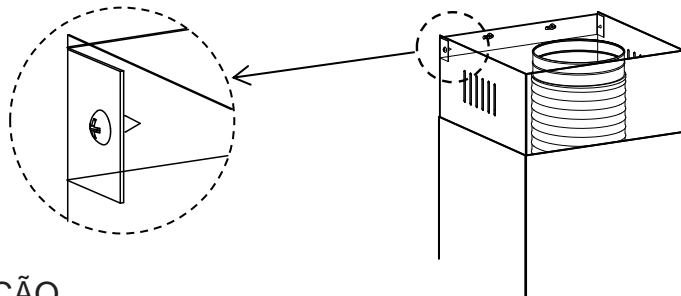
Chaminé decorativa inferior

- Fixe a Chaminé Decorativa Inferior ao corpo do exaustor com 2 parafusos 12 (4,2 x 9,5) fornecidos com o exaustor.



Chaminé decorativa superior

- Fixe a chaminé superior no suporte 21 com 2 parafusos 12 (4,2 x 9,5) fornecidos com o exaustor.



UTILIZAÇÃO

Regulação da velocidade. (Para alguns modelos)



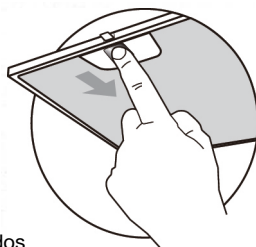
①	INTERRUPTOR DO MOTOR DESLIGADO: Prima este interruptor para parar o funcionamento do motor.
🌀	INTERRUPTOR DE VELOCIDADE: Ao premir este interruptor, o motor funciona com velocidade BAIXA.
🌀	INTERRUPTOR DE VELOCIDADE: Ao premir este interruptor, o motor funciona com uma velocidade MÉDIA.
🌀	INTERRUPTOR DE VELOCIDADE: Ao premir este interruptor, o motor funciona com velocidade ALTA.
💡	INTERRUPTOR DE ILUMINAÇÃO ON/OFF: Prima este interruptor para ligar as luzes e prima-o novamente para as desligar.

MANUTENÇÃO

FILTROS DE GORDURA

LIMPEZA DOS FILTROS DE GORDURA METÁLICOS DE AUTOSUORTE

- Os filtros devem ser limpos a cada 2 meses de funcionamento, ou mais frequentemente no caso de utilização particularmente intensa e podem ser lavados na máquina de lavar louça.
- Retire os filtros um a um, empurrando-os para a parte de trás do exaustor e puxe-os simultaneamente para baixo.
- Deve evitar qualquer tipo de dobragem dos filtros aquando da sua lavagem. Antes de os voltar a colocar no exaustor, certifique-se de que estão completamente secos. (A cor da superfície do filtro pode mudar ao longo do tempo, mas tal não resulta em qualquer má influência na eficiência do filtro).
- Ao colocar os filtros no aparelho, certifique-se de que estão montados na posição correcta e com a pega virada para fora.

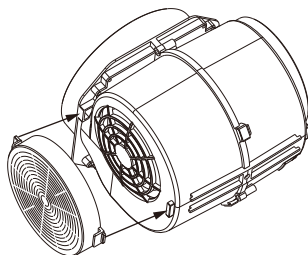


FILTRO DE CARVÃO ACTIVADO (VERSÃO DE RECIRCULAÇÃO)

Estes filtros não são laváveis nem podem ser regenerados, devendo ser substituídos aproximadamente de 4 em 4 meses de funcionamento, ou mais frequentemente em caso de utilização intensa.

SUBSTITUIÇÃO DO FILTRO DE CARVÃO ACTIVADO

- Retire os filtros metálicos de gordura
- Retire o filtro de carvão activado saturado.
- Coloque os novos filtros.
- Substitua os filtros metálicos de gordura.



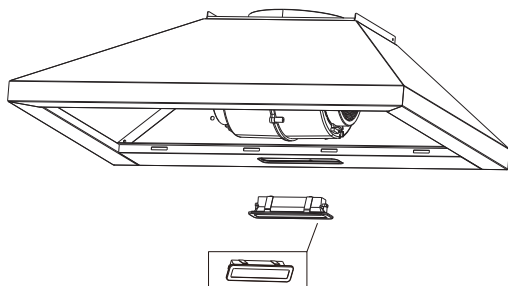
ILUMINAÇÃO


SUBSTITUIÇÃO DA LÂMPADA

Substituição dos módulos da lâmpada

Para LED rectangular :

- Retire o filtro de gordura.
- Retire a lâmpada, separando o encaixe do corpo do aparelho (pode ter que aplicar pressão ou força).
- Desligue o conector da luz.
- Substitua a lâmpada por uma nova do mesmo tipo, certificando-se que liga correctamente a lâmpada ao cabo da lâmpada.
- Volte a ligar a alimentação eléctrica, inserindo a ficha na tomada ou ligando o fusível.



	Potência máxima	Tensão	Imagem	Casquilho da lâmpada	Código ILCOS D
Módulos LED com balastro próprio	1.5W	220V-240V	 Quadrado/Diâmetro:33.2mmx120mm	/	DBS-1.5- H-33.2/120

RESOLUÇÃO DE PROBLEMAS

Falha	Causa	Solução
A luz acende-se mas o motor não funciona	As lâminas estão bloqueadas.	Verifique a lâmina.
	O condensador está danificado.	Substitua o condensador.
	O motor está danificado.	Substitua o motor.
	A cablagem interna do motor está cortada/desligada. Pode produzir-se um cheiro desagradável.	Substitua o motor.
A luz e o motor não funcionam	Para além dos aspectos acima referidos, deve verificar os seguintes:	
	Ligeiramente danificado.	Substitua as luzes.
	Cabo de alimentação solto.	Ligue os fios de acordo com o esquema eléctrico.
Fuga de óleo	Saída e entrada de ventilação de ar não estão hermeticamente fechados.	Retire a saída e sele com cola.
Vibração	Se a lâmina estiver danificada, pode provocar vibrações.	Substitua a lâmina.
	O motor não está bem apertado.	Aperte bem o motor.
	O exaustor não está bem fixo.	Fixe bem o exaustor.
Aspiração insuficiente	A distância entre o fogão e a placa de fogão é demasiado	Reajuste a distância.
	Demasiada ventilação devido a portas ou janelas abertas.	Escolha um novo local para instalar o aparelho ou feche algumas portas/janelas.
Aparelho inclinado	Os parafusos de fixação não estão suficientemente apertados.	Aperte o parafuso de fixação e torne-o horizontal.
	Os parafusos de suspensão não estão apertados com força suficiente.	Aperte o parafuso de suspensão e faça-o na horizontal.

ELIMINAÇÃO

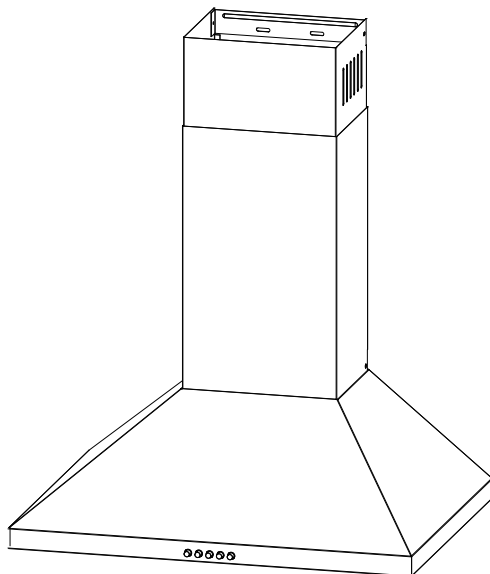


A directiva europeia 2012/19/UE relativa aos resíduos de equipamentos eléctricos e electrónicos (REEE) exige que os aparelhos eléctricos domésticos em fim de vida não sejam eliminados em conjunto com lixo normal urbano e sem triagem. Os aparelhos velhos devem ser recolhidos separadamente, a fim de otimizar a recuperação e reciclagem dos seus componentes reduzindo o seu potencial impacto na saúde humana e meio ambiente. Este símbolo do "contentor do lixo com rodas" estampado no produto recorda-lhe a sua obrigação de quando for desfazer-se deste aparelho, o deve fazer de forma separada e controlada. Deve contactar as autoridades locais ou a loja onde adquiriu o aparelho para obter informações sobre a eliminação correcta do seu aparelho em fim de vida.



BGR

CHM6A17IX
CHM6A17W



АСПИРАТОР

РЪКОВОДСТВО ЗА УПОТРЕБА

Прочетете внимателно това ръководство преди употреба.
Снимките в това ръководство са само за ориентир, изгледа на
реалният продукт е от решаващо значение.

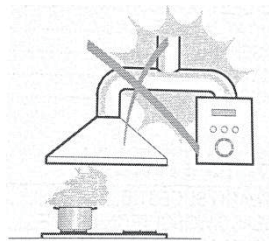
ПРЕПОРЪКИ И СЪВЕТИ



Инструкциите за експлоатация се отнасят за различните модификации на този аспиратор. Следователно, можете да намерите описания на отделни характеристики, които не се отнасят до Вашия специфичен уред.

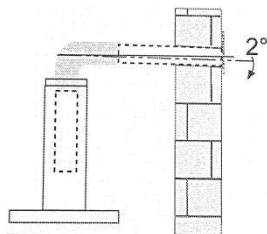
МОНТАЖ

- Производителят не носи отговорност за повреди, дължащи се на неправилен монтаж или неспазени изисквания.
- Уверете се, че напрежението на мрежата отговаря на посоченото на стикера, намиращ се във вътрешността на аспиратора.
- За уреди от клас I се уверете, че електрическата инсталация е добре заземена
- Свържете към изхода на аспиратора въздуховод с диаметър не по-малък от 120 mm.
- Разстоянието между комина и аспиратора трябва да бъде възможно по-малко.
- Не свързвайте аспиратора към комини, които обслужват и други уреди (отоплителни печки, камини и т.н.)
- Ако инструкциите за монтаж на газовия котлон посочават по-голямо разстояние, от посочено по-горе, това трябва да се вземе предвид.
- Ако захранващият кабел е повреден, трябва да бъде заменен от производителя или негов сервизен агент или лице с подобна квалификация, за да се избегне опасност.
- Въздухът не трябва да се изхвърля в димоотвод, който се използва за изпускане на изпарения от уреди, работещи с газ или други горива (неприложимо за уреди, които изхвърлят въздуха обратно в помещението).
- Минималното разстояние между опорната повърхност за съдовете на котлона и най-ниската част на аспиратора е 650 mm.
- Трябва да се спазват разпоредбите относно изпускането на въздух.



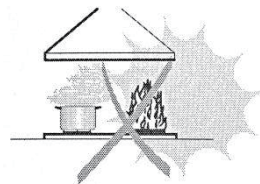
УПОТРЕБА


- Аспираторът е предназначен за употреба в домашни условия, за да поглъща миризмите в кухнята.
- Никога не използвайте аспиратора за цели, различни от тези, за които е предназначен.
- Никога не оставяйте свободен пламък с голям интензитет под работещ аспиратор.
- Регулирайте интензитета на пламъка така, че да се насочи към дъното на готварския съд без да излиза извън него
- Фритюрниците трябва постоянно да се наблюдават по време на употреба: прегрятото олио може да избухне в пламъци..
- Аспираторът не е предназначен за използване от лица с физически, психически или ментални увреждания (включително деца), които нямат необходимите познания и умения за работа с уреда, освен ако те не са нагледжани или инструктирани за използването на уреда от лице, отговорно за тяхната безопасност.
- Децата трябва да се нагледжат, за да сте сигурни, че не си играят с уреда.
- Трябва да има подходяща вентилация на помещението, когато аспираторът се използва едновременно с уреди, работещи на газ или други горива (не е приложимо за уреди, които изхвърлят въздуха обратно в помещението).
- Съществува риск от пожар, ако почистването не се извърши в съответствие с инструкциите.
- Не фламбирайте под аспиратора.
- **ПРЕДУПРЕЖДЕНИЕ:** Достъпните части могат да се нагорещат, когато аспиратора се използва съвместно с уреди за готвене.



ПОДДРЪЖКА

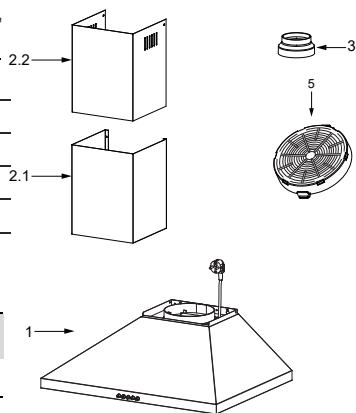
- Аспираторът и неговият филтър трябва да се почистват редовно според инструкциите.
- Изключете уреда или извадете щепсела от електрическата мрежа, преди да извършвате каквато и да е работа по поддръжката.
- Почистете аспиратора с влажна кърпа и неутрален течен препарат.
- С уредът могат да се използват максимум 4 котлона.



Символът  върху продукта или върху документа придружаващ продукта показва, че този уред не трябва да се третира като домакински отпадък. Вместо това той трябва да се предаде на подходящия сборен пункт за рециклиране на електрически и електронни уреди. Унищожаването трябва да се извърши в съответствие с местните закони за опазване на околната среда и унищожаване на отпадъци.

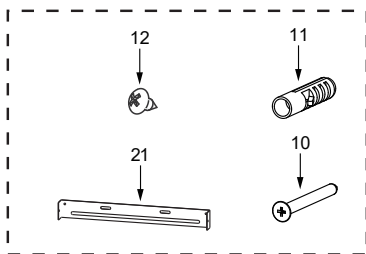
КОМПОНЕНТИ

№	Кол-во	Продуктов компонент
1	1	Корпус на капака с: контроли, светлина, вентилатор, филтър
2.1	1	Долен декоративен комин (по избор)
2.2	1	Горен декоративен комин (по избор)
3	1	Фланец (по избор)
4	1	Изпускателната тръба
5	2	Филтър с активен въглен (по избор)



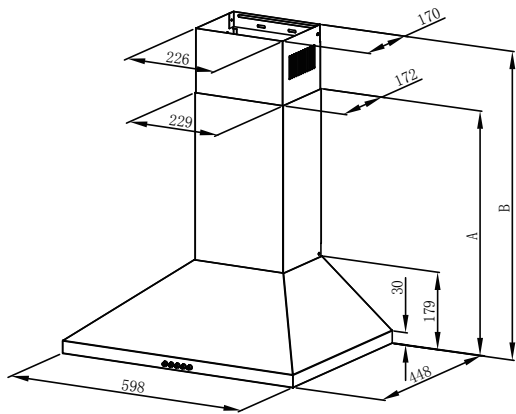
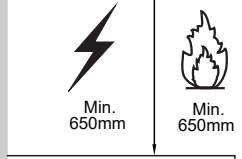
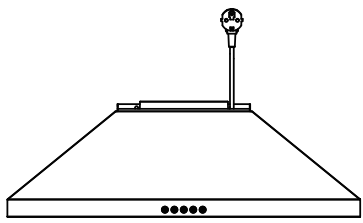
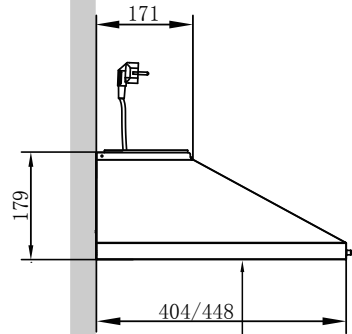
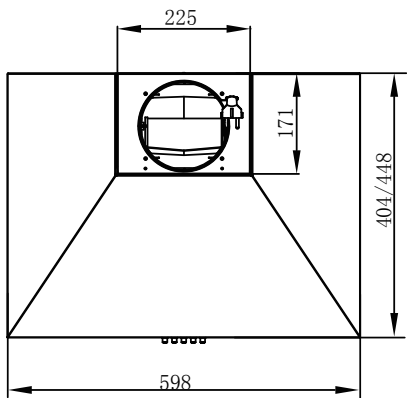
Кол-во	Документация
1	Ръководство с инструкции

№	Кол-во	Монтажни компоненти
10	7	Болтове 5 x 50
11	7	Стенни тапи
12	6	Болтове 4.2 x 9.5
20	1	Скоба за закрепване на капака (по избор)
21	2	Скоба за закрепване на комина (0/1 по избор)



РАЗМЕРИ

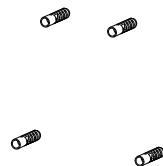
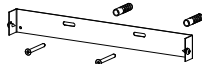
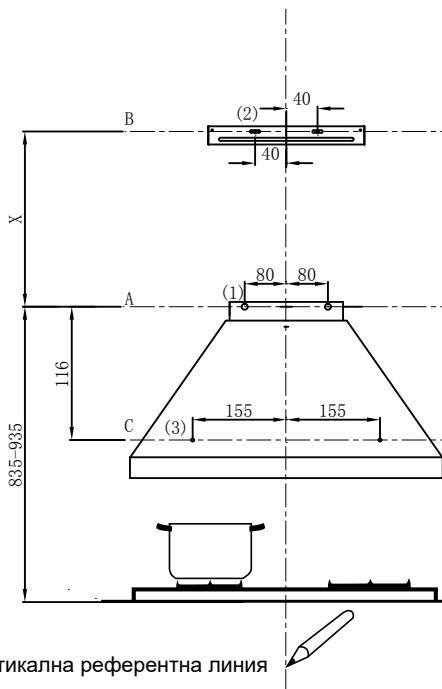
единица: mm



Опция	Комин	A	B
1	400+0	569	/
2	400+300	569	610-850
3	400+390	569	610-940
4	500+490	669	710-1140

ИНСТАЛАЦИЯ

ПРОБИВАНЕ НА СТЕНАТА И ЗАКРЕПВАНЕ НА СКОБА



ОПЦИЯ	КОМИН	X
1	400+0	/
2	400+300	410-650
3	400+390	410-740
4	500+490	510-940

Вертикална референтна линия

Като първа стъпка продължете със следните чертежи:

- Вертикална линия до тавана или до горната граница, в центъра на зоната, в която ще се монтира аспираторът.
- Горизонтална линия **A** на 835-935 mm над плота на готварската печка.
- Горизонтална линия **B** на **X** mm над горната линия **A**.
- Горизонтална линия **C** на 116 mm под горната линия **A**.

Маркирайте точките:

- Маркирайте точка (1) на горната линия **A**, 80 mm от вертикалната референтна линия.
- Повторете тази операция от другата страна, като проверите дали двете маркировки са нивелирани.
- Маркирайте точка (2) на горната линия **B**, 40 mm от вертикалната референтна линия.
- Повторете тази операция от другата страна, като проверите дали двете маркировки са нивелирани.
- Маркирайте точка (3) на горната линия **C**, 155 mm от вертикалната референтна линия
- Повторете тази операция от другата страна, като проверите дали двете маркировки са нивелирани.

Фиксирайте скобите (по избор):

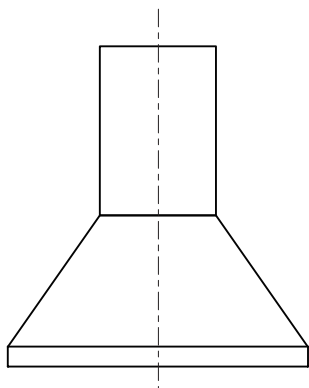
- Пробийте дупки в маркираните точки със свредло $\phi 10$ mm.
- Поставете дюбелите **11** в дупките.
- Завийте 2 винта **10** (5×50) към дюбелите **11** на хоризонталната линия **A**; приблизително четирите пети от дължината на винтовете **10** (5×50) бяха завинтени в дюбелите **11**, използвани за закачане на аспиратора.
- Фиксирайте фиксираща скоба за комин **21** с 2 винта **10** (5×50) на хоризонталната линия **B**.

Закачете корпуса на капака

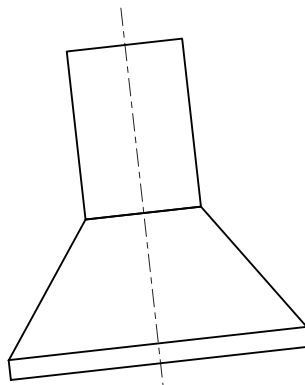
Закачете тялото на аспиратора към 2-те винта **10** (5×50) на хоризонталната линия **A**.

Нивелирайте самия корпус на аспиратора.

Отстранете филтъра от вътрешността на тялото на аспиратора, фиксирайте винтовете **10** към дюбелите **11** в точките (3).



Правилно



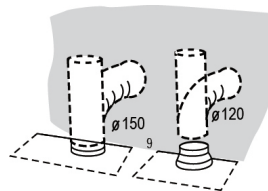
Неправилно

ВРЪЗКИ

КАНАЛНА ВЕРСИЯ НА ИЗПУСКАТЕЛНА СИСТЕМА

Когато монтирате версията с канали, свържете аспиратора към комина с помощта на гъвкава или твърда тръба $\phi 150$ или $\phi 120$ mm, чийто избор е оставен на монтажника.

- За да монтирате $\phi 120$ mm връзка за изпускане на въздух, поставете редукторния фланец 3 на изхода на тялото на аспиратора.
- Фиксирайте тръбата на място, като използвате достатъчно тръбни скоби (не са доставени).
- Отстранете възможните филтри с въглен.

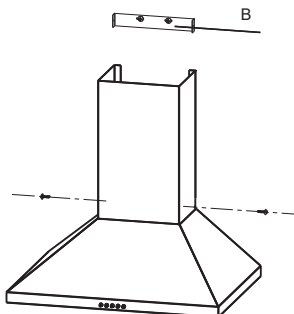


МОНТАЖ НА КОМИНА

Камината може да бъде инсталирана само с отвеждащ капак..

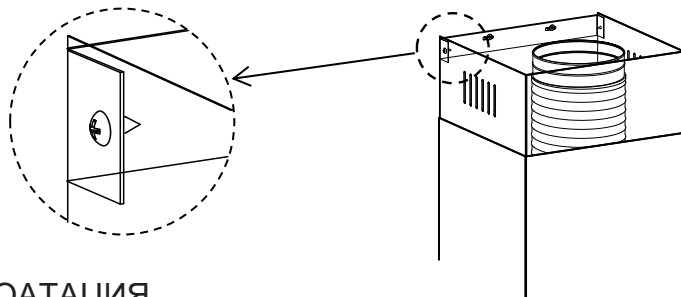
Долен декоративен комин

- Фиксирайте долния декоративен комин към тялото на аспиратора с 2 винта **12** (4,2 x 9,5), доставени с аспиратора.



Горен декоративен комин

- Фиксирайте горния комин върху скобата **21** с 2 винта **12** (4,2 x 9,5) доставени с аспиратора.



ЕКСПЛОАТАЦИЯ

Регулиране на скоростта. (За някои модели).



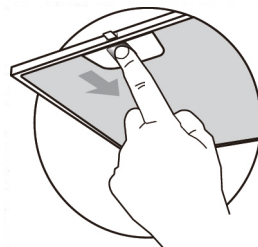
①	ИЗКЛЮЧВАТЕЛ ЗА ИЗКЛЮЧВАНЕ НА МОТОРА: Натиснете този превключвател, за да спрете работата на мотора.
☞	ПРЕВКЛЮЧВАТЕЛ ЗА СКОРОСТ: Натиснете този превключвател и моторът ще работи на НИСКИ обороти.
☞	ПРЕВКЛЮЧВАТЕЛ ЗА СКОРОСТ: Натиснете този превключвател и моторът ще работи на СРЕДНИ обороти.
☞	ПРЕВКЛЮЧВАТЕЛ ЗА СКОРОСТ: Натиснете този превключвател и моторът ще работи на ВИСОКИ обороти.
💡	КЛЮЧ ЗА ВКЛЮЧВАНЕ/ИЗКЛЮЧВАНЕ НА ОСВЕТЛЕНИЕТО: Натиснете този превключвател, за да включите светлините, и натиснете го отново, за да ги изключите.

ПОДДРЪЖКА

ФИЛТРИ ЗА МАЗНИНА

ПОЧИСТВАНЕ НА МЕТАЛНИТЕ ФИЛТРИ ЗА МАЗНИНА

- Филтрите трябва да бъдат почиствани на всеки 2 месеца работа или по-често при по-интензивна употреба на аспиратора. Филтрите могат да бъдат измивани в съдомиялна.
- Отстранете филтрите един по един, като ги натискате към задната страна на аспиратора и едновременно с това издърпвате надолу.
- Измийте филтрите, като внимавате да не ги прегъвате. Оставете ги да изсъхнат преди да ги монтирате отново. (Цвятът на повърхността на филтрите може да се промени с времето, но това не оказва влияние на ефективността на филтрите).
- Когато монтирате филтрите отново, бъдете сигурни, че ръкохватката е видима от външната страна.

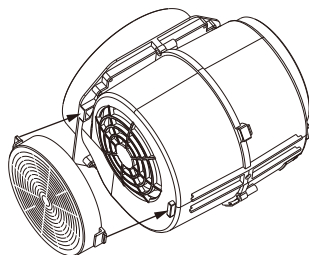


ФИЛТРИ АКТИВЕН ВЪГЛЕН (ПРИ ФИЛТРИРАЩ РЕЖИМ НА РАБОТА)

Тези филтри не могат да се мият и не могат да бъдат регенерирани, а трябва да се подменят приблизително на всеки 4 месеца работа или по-често при по-интензивна употреба.

ПОДМЯНА НА ФИЛТЪР АКТИВЕН ВЪГЛЕН

- Отстранете металните филтри за мазнина.
- Отстранете наситените филтри активен въглен.
- Фиксирайте новите филтри.
- Върнете на мястото металните филтри за мазнина.



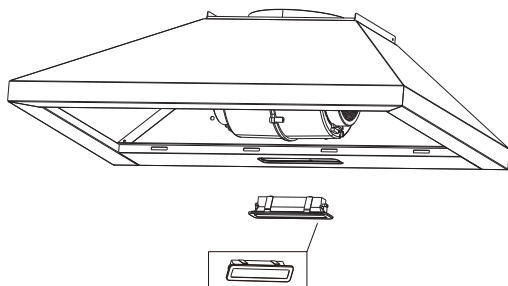
ОСВЕТЛЕНИЕ


СМЯНА НА ЛАМПАТА

Смяна на осветителните модули

За правоъгълен LED :

- Отстранете филтъра за мазнини.
- Отстранете лампата, като дръпнете нейния монтаж от тялото на аспиратора (това може да изисква прилагане на натиск или сила).
- Изключете конектора на лампата.
- Сменете лампата с нова от същия тип, като се уверите, че сте свързали лампата със светлинния кабел правилно.
- Свържете отново захранването, като поставите щепсела или като включите предпазителя.



	Макс мощност	Напрежение	Снимка	Кап. на лампата	ILCOS D код
LED модули с баласт	1.5W	220V-240V	 Квадрат / Диаметър: 33.2mmx120mm	/	DBS-1.5- H-33.2/120

ОТСТРАНЯВАНЕ НА ПРОБЛЕМИ

Грешка	Причина	Решение
Лампата свети, но моторът не работи	Лопатките са блокирани.	Проверете лопатките.
	Кондензаторът е повреден.	Сменете кондензатора.
	Моторът е повреден.	Сменете мотора.
	Вътрешното окабеляване на мотора е прекъснато/откачено. Може да се получи неприятна миризма.	Сменете мотора.
И лампата, и мотора не работят	Освен горепосоченото, проверете следното:	
	Лампата е повредена	Сменете лампата.
	Разхлабен захранващ кабел.	Свържете проводниците според електрическата схема.
Изтичане на масло	Изходът и вентилационният вход не са плътно затворени	Свалете изхода и го запечатайте с лепило.
Вибрация	Лопатките, ако са повредени, могат да причинят вибрации.	Сменете лопатките.
	Моторът не е здраво закрепен.	Затегнете мотора здраво.
	Аспираторът не е здраво закрепен.	Закрепете плътно аспиратора.
Недостатъчно засмукване	Разстоянието между аспиратора и плота е твърде голямо.	Регулирайте отново разстоянието.
	Твърде много вентилация от отворени врати или прозорци.	Изберете ново място за инсталиране на уреда или затворете някои врати/прозорци.
Машина та се накланя	Фиксиращите винтове не са достатъчно затегнати.	Затегнете фиксиращия винт и го направете хоризонтален.
	Висящите винтове не са достатъчно стегнати.	Затегнете окачващия винт и го направете хоризонтален.

ИЗХВЪРЛЯНЕ



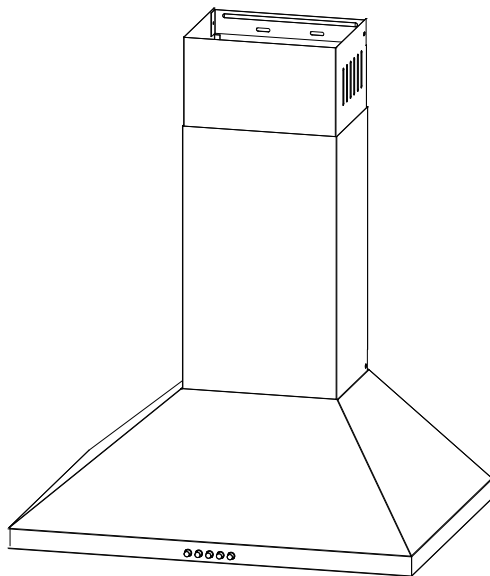
Европейската директива 2012/19/ЕС относно отпадъците от електрическо и електронно оборудване (WEEE) изисква старите домакински електрически уреди да не се изхвърлят в нормалния несортиран битов поток от отпадъци. Старите уреди трябва да се събират отделно, за да се оптимизира възстановяването и рециклирането на материалите, които съдържат, и да се намали въздействието върху човешкото здраве и околната среда.

Символът със зачеркнат „кофа за боклук“ върху продукта ви напомня за вашето задължение, че когато изхвърляте уреда, той трябва да бъде събиран отделно. Потребителите трябва да се свържат с местните власти или търговец на дребно за информация относно правилното изхвърляне на техния стар уред.



GRC

CHM6A17IX
CHM6A17W




ΑΠΟΡΡΟΦΗΤΗΡΑΣ

ΕΓΧΕΙΡΙΔΙΟ ΧΡΗΣΗΣ

Διαβάστε προσεκτικά το παρόν εγχειρίδιο πριν χρησιμοποιήσετε τη συσκευή.

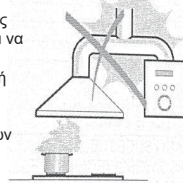
Οι εικόνες που περιλαμβάνονται στο παρόν εγχειρίδιο είναι μόνο για αναφορά. Λαμβάνεται υπόψη το προϊόν.

ΣΥΣΤΑΣΕΙΣ ΚΑΙ ΣΥΜΒΟΥΛΕΣ

 Οι οδηγίες χρήσης ισχύουν για διάφορες εκδόσεις αυτής της συσκευής. Συνεπώς, μπορεί να βρείτε περιγραφές μεμονωμένων λειτουργιών που δεν ισχύουν για τη συγκεκριμένη συσκευή σας.

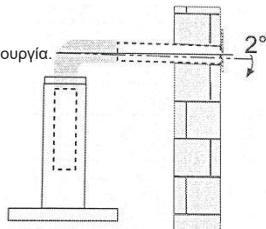
ΕΓΚΑΤΑΣΤΑΣΗ

- Ο κατασκευαστής δεν φέρει ευθύνη για τυχόν ζημιές που οφείλονται σε εσφαλμένη ή ακατάλληλη εγκατάσταση.
- Η ελάχιστη απόσταση μεταξύ της επιφάνειας στήριξης για των σκευών μαγειρέματος στην εστία και το χαμηλότερο τμήμα του απορροφητήρα. (Όταν ο απορροφητήρας τοποθετείται πάνω από συσκευή αερίου, η απόσταση αυτή πρέπει να είναι τουλάχιστον 65 cm. Εάν οι οδηγίες εγκατάστασης για την εστία αερίου καθορίζουν μεγαλύτερη απόσταση, η απόσταση αυτή πρέπει να ακολουθείται. Η απόσταση των 65 cm μπορεί να μειωθεί στις εξής περιπτώσεις: για τα μη εύφλεκτα μέρη των απορροφητήρων και τα εξαρτήματα που λειτουργούν με αφαλία σε χαμηλή τάση, υπό τον όρο ότι τα μέρη αυτά δεν έρχονται σε επαφή με μέρη υπό τάση, εάν παραμορφωθούν.
- Ελέγξτε ότι η τάση δικτύου αντιστοιχεί σε εκείνη που αναγράφεται στην πινακίδα χαρακτηριστικών που είναι τοποθετημένη στον απορροφητήρα.
- Για συσκευές Κατηγορίας I, βεβαιωθείτε ότι η οικιακή παροχή ρεύματος διαθέτει επαρκή γείωση. Συνδέστε τον απορροφητήρα στον καπναγωγό μέσω σωλήνα ελάχιστης διαμέτρου 120mm.
- Η διαδρομή του αγωγού πρέπει να είναι όσο το δυνατόν βραχύτερη.
- Ο αέρας δεν πρέπει να εκκενώνεται μέσα σε αγωγό που χρησιμοποιείται για τα αέρια απαγωγής συσκευών που καίνε φυσικό αέριο ή άλλα καύσιμα.
- Εάν ο απορροφητήρας χρησιμοποιείται σε συνδυασμό με μη ηλεκτρικές συσκευές (π.χ. συσκευές αερίου), πρέπει να εξασφαλίζεται επαρκής αερισμός στον χώρο, ώστε να αποφεύγεται η αντίστροφη διαρροή.
- Η κουζίνα πρέπει να έχει ένα άνοιγμα που να επικοινωνεί απευθείας με τον εξωτερικό αέρα, προκειμένου να διασφαλιστεί η είσοδος καθαρού αέρα.
- Όταν ο απορροφητήρας χρησιμοποιείται σε συνδυασμό με συσκευές που χρησιμοποιούν μη ηλεκτρική ενέργεια, η αρνητική πίεση στον χώρο δεν πρέπει να υπερβαίνει τα 0,04 mbar, ώστε να μην υπάρχει ενδεχόμενο να γίνει αντίστροφη ροή των αερίων στον χώρο από τον απορροφητήρα.
- Αν το καλώδιο παροχής είναι φθαρμένο, θα πρέπει να αντικατασταθεί από τον κατασκευαστή, από τον αντιπρόσωπο σέρβις ή από ανάλογο εξειδικευμένο προσωπικό, για την αποφυγή τυχόν κινδύνων.
- Πρέπει να τηρούνται οι κανονισμοί σχετικά με την εκκένωση του αέρα.



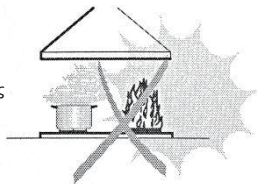
ΧΡΗΣΗ


- Ο απορροφητήρας είναι μόνο για οικιακή χρήση και δεν είναι κατάλληλος για μάρμπεκιου, ψισταριές και άλλους εμπορικούς σκοπούς.
- Μην χρησιμοποιείτε ποτέ τον απορροφητήρα για σκοπούς άλλους από εκείνους για τους οποίους έχει σχεδιαστεί.
- Μην αφήνετε ποτέ μεγάλες γυμνές φλόγες κάτω από τον απορροφητήρα όταν είναι σε λειτουργία.
- Ρυθμίστε την ένταση της φλόγας ώστε να την κατευθύνετε μόνο στο κάτω μέρος του σκεύους, φροντίζοντας να μην ξεφεύγει πέρα από την περιμέτρω του.
- Οι φωτιές πρέπει να παρακολουθούνται συνεχώς κατά τη χρήση: εάν το λάδι υπερθερμανθεί, μπορεί να πάρει φωτιά.
- Μην ανάβετε φλόγες κάτω από τον απορροφητήρα. Κίνδυνος πυρκαγιάς.
- Αυτή η συσκευή μπορεί να χρησιμοποιηθεί από παιδιά ηλικίας 8 ετών και άνω, καθώς και από άτομα με μειωμένες φυσικές, αισθητηριακές ή πνευματικές ικανότητες ή από άτομα χωρίς εμπειρία και γνώσεις, αν έχουν επίβλεψη ή αν τους έχουν δοθεί οδηγίες σχετικά με την ασφαλή χρήση της συσκευής και αν κατανοούν τους ενεχόμενους κινδύνους.
- Επιβλέψτε πάντοτε τα παιδιά και βεβαιωθείτε ότι δεν παίζουν με τη συσκευή.
- Ο καθαρισμός και η συντήρηση από τον χρήστη δεν πρέπει να διεξάγονται από παιδιά χωρίς επίβλεψη.
- «ΠΡΟΣΟΧΗ: Τα προσβάσιμα μέρη ενδέχεται να υπερθερμανθούν όταν χρησιμοποιούνται με συσκευές μαγειρέματος».



ΣΥΝΤΗΡΗΣΗ

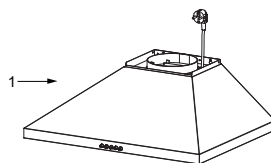
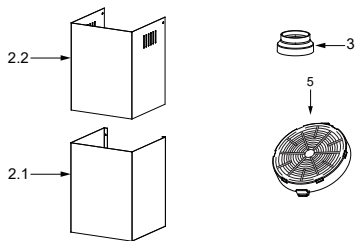
- Ο απορροφητήρας και το φίλτρο του πρέπει να καθαρίζονται τακτικά σύμφωνα με τις οδηγίες.
- Απενεργοποιήστε ή αποσυνδέστε τη συσκευή από την παροχή ρεύματος πριν εκτελέσετε οποιαδήποτε εργασία συντήρησης.
- Καθαρίστε ή/και επαναποθετήστε τα φίλτρα μετά την καθορισμένη περίοδο (Κίνδυνος πυρκαγιάς).
- Καθαρίστε τον απορροφητήρα χρησιμοποιώντας ένα υγρό πανί και ένα ουδέτερο υγρό απορρυπαντικό.
- Η συσκευή μπορεί να εξυπηρετήσει το πολύ 4 μαγειρικές εστίες.



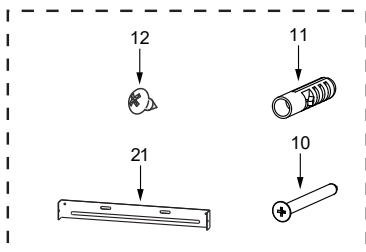
Η χρήση του συμβόλου  δηλώνει ότι αυτό το προϊόν δεν πρέπει να αντιμετωπίζεται ως οικιακό απόβλητο. Παραδώστε τα σε ένα συγκεκριμένο σημείο συλλογής για την ανακύκλωση των ηλεκτρικών απορριμμάτων και του ηλεκτρονικού εξοπλισμού. Φροντίζοντας για την ορθή απόρριψη του προϊόντος, συμβάλλετε στην αποτροπή πιθανών αρνητικών επιπτώσεων στο περιβάλλον και την υγεία, οι οποίες μπορεί να προκληθούν λόγω εσφαλμένου χειρισμού αυτού του προϊόντος. Για περισσότερες πληροφορίες σχετικά με την ανακύκλωση αυτού του προϊόντος, παρακαλούμε επικοινωνήστε με τις αρμόδιες τοπικές αρχές ή με το κατάστημα από όπου προμηθευτήκατε το προϊόν.

ΕΞΑΡΤΗΜΑΤΑ

Κωδ.	Ποσότη.	Εξαρτήματα προϊόντος
1	1	Κυρίως σώμα απορροφητήρα, με: Χειριστήρια, Φως, Φυσητήρα, Φίλτρο.
2.1	1	Κάτω διακοσμητική καμινάδα
2.2	1	Ανω διακοσμητική καμινάδα(προαιρετικό)
3	1	Φλάντζα (προαιρετική)
5	2	Φίλτρο ενεργού άνθρακα (προαιρετικό)



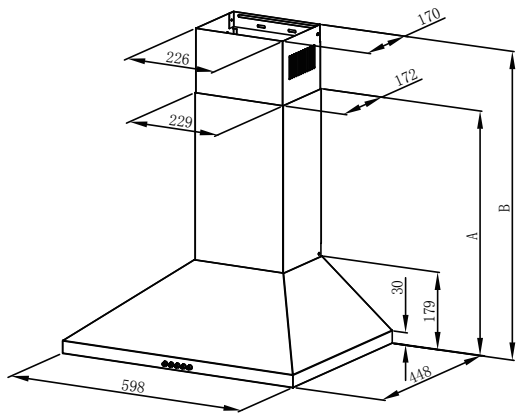
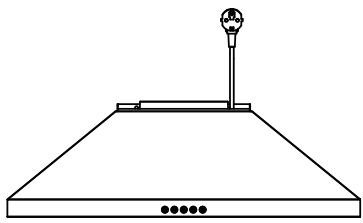
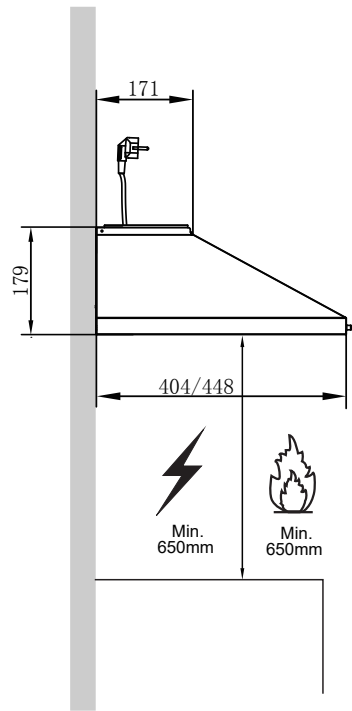
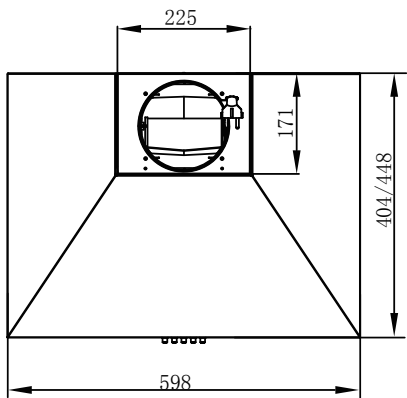
Ποσότη.	Τεκμηρίωση
1	Εγχειρίδιο οδηγιών



Κωδ.	Ποσότη.	Εξαρτήματα εγκατάστασης
10	7	Βίδες 5 x 50
11	7	Βύσματα για τοίχους
12	6	Βίδες 4.2 x 9.5 / Βίδες 4 x 8
21	1	Στήριγμα στερέωσης καμινάδας(προαιρετικό)

ΔΙΑΣΤΑΣΕΙΣ

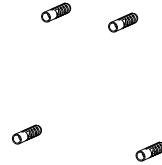
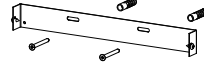
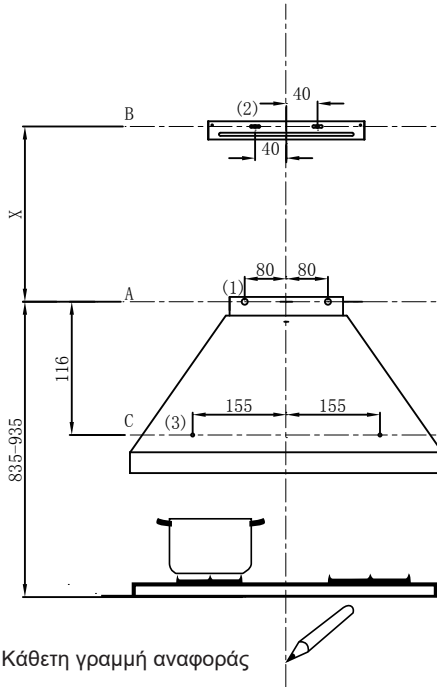
μονάδα: mm



Επιλογή	Καμινάδα	A	B
1	400+0	569	/
2	400+300	569	610-850
3	400+390	569	610-940
4	500+490	669	710-1140

ΕΓΚΑΤΑΣΤΑΣΗ

ΔΙΑΤΡΗΣΗ ΤΟΙΧΟΥ ΚΑΙ ΣΤΕΡΕΩΣΗ ΒΑΣΗΣ



Option	Chimney	X
1	400+0	/
2	400+300	410-650
3	400+390	410-740
4	500+490	510-940

Ως πρώτο βήμα, ακολουθήστε τα παρακάτω σχέδια:

- Κατακόρυφη γραμμή μέχρι την οροφή ή μέχρι το ανώτερο όριο, στο κέντρο της περιοχής στην οποία θα τοποθετηθεί ο απορροφητήρας.
- Μια οριζόντια γραμμή **A** στα 835-935 mm πάνω από την επιφάνεια της κουζίνας.
- Μια οριζόντια γραμμή **B** στα **X** mm πάνω από την οριζόντια γραμμή **A**.
- Μια οριζόντια γραμμή **C** σε 116 mm κάτω από την οριζόντια γραμμή **A**.

Σημειώστε τα εξής σημεία:

- Σημειώστε ένα σημείο (1) στην οριζόντια γραμμή **A**, 80 mm σε απόσταση από την κατακόρυφη γραμμή αναφοράς.
- Επαναλάβετε το ίδιο και στην άλλη πλευρά, ελέγχοντας ότι τα δύο σημεία βρίσκονται στο ίδιο επίπεδο.
- Σημειώστε ένα σημείο (2) στην οριζόντια γραμμή **B**, 40 mm σε απόσταση από την κατακόρυφη γραμμή αναφοράς.
- Επαναλάβετε το ίδιο και στην άλλη πλευρά, ελέγχοντας ότι τα δύο σημεία βρίσκονται στο ίδιο επίπεδο.
- Σημειώστε ένα σημείο (3) στην οριζόντια γραμμή **C**, 155 mm σε απόσταση από την κατακόρυφη γραμμή αναφοράς.
- Επαναλάβετε το ίδιο και στην άλλη πλευρά, ελέγχοντας ότι τα δύο σημεία βρίσκονται στο ίδιο επίπεδο.

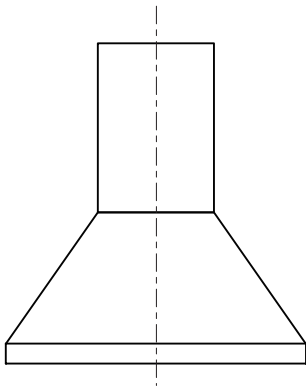
Τοποθετήστε τις βάσεις: (Optional):

- Τρυπήστε τα μαρκαρισμένα σημεία με ένα τρυπάνι ϕ 10 mm.
- Τοποθετήστε τα βύσματα **11** στις οπές.
- Εισαγάγετε **2 βίδες 10** (5 x 50) στα βύσματα τοίχου **11** στην οριζόντια γραμμή **A**; περίπου το τέσσερα πέμπτο μήκος των βιδών **10** (5 x 50) βιδώθηκε στα βύσματα τοίχου **11**, που χρησιμοποιήθηκαν για το άγκιστρο της κουκούλας.
- Στερεώστε την επάνω καμινάδα στο στήριγμα **21** με 2 βίδες **10** (5 x 50) στην οριζόντια γραμμή **B**

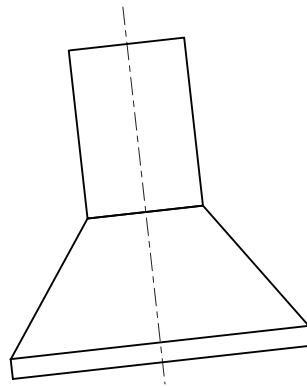
Στερεώστε το κυρίως σώμα του απορροφητήρα

Στερεώστε το σώμα της κουκούλας στις 2 βίδες **10** (5 x 50) στην οριζόντια γραμμή **A**. Οριζοντιώστε το ίδιο το σώμα της κουκούλας.

Αφαιρέστε το φίλτρο από το εσωτερικό του σώματος της κουκούλας, στερεώστε τις βίδες **10** στα βύσματα τοίχου **11** στα σημεία (3).



Σωστό



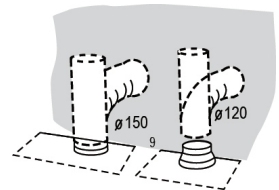
Λάθος

ΣΥΝΔΕΣΕΙΣ

ΣΥΣΤΗΜΑ ΕΞΑΓΩΓΗΣ ΓΙΑ ΤΙΣ ΕΚΔΟΣΕΙΣ ΜΕ ΑΓΩΓΟ

Κατά την εγκατάσταση μιας έκδοσης με αγωγό, συνδέστε τον απορροφητήρα στην καμινάδα χρησιμοποιώντας έναν εύκαμπτο ή άκαμπτο σωλήνα ϕ 150 ή ϕ 120 mm, κατ' επιλογή του εγκαταστάτη.

- Εάν θέλετε να εγκαταστήσετε μια σύνδεση εξαγωγής αέρα ϕ 120 mm, τοποθετήστε τη φλάντζα μειωτήρα **3** στην έξοδο του κυρίως σώματος του απορροφητήρα.
- Τοποθετήστε τον σωλήνα **4** στη θέση του χρησιμοποιώντας επαρκείς σφιγκτήρες σωλήνων (δεν παρέχονται).
- Αφαιρέστε τυχόν φίλτρα άνθρακα.

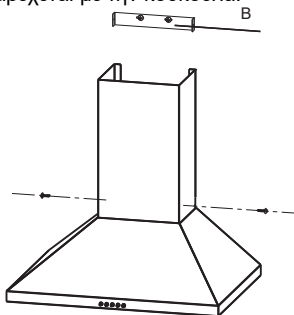


ΣΥΝΑΡΜΟΛΟΓΗΣΗ ΚΑΜΙΝΑΔΑΣ

Η καμινάδα μπορεί να εγκατασταθεί μόνο με κουκούλα εξάτμισης.

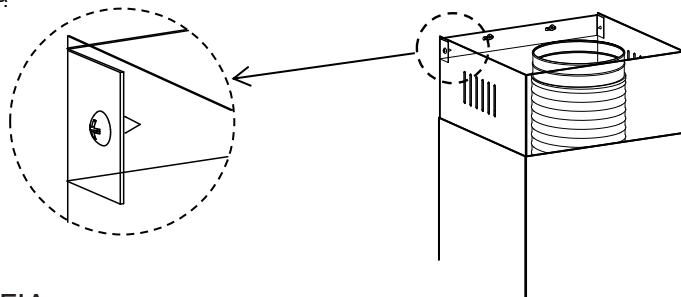
Κάτω Διακοσμητική Καμινάδα

- Στερεώστε ένα στήριγμα στερέωσης καμινάδας **21** στην κάτω διακοσμητική καμινάδα με 2 βίδες **12** (4,2 x 9,5) παρέχεται με την κουκούλα.



Επάνω Διακοσμητική Καμινάδα

- Στερεώστε την επάνω καμινάδα στο στήριγμα **21** με 2 βίδες **12** (4,2 x 9,5) που παρέχονται με την κουκούλα



ΛΕΙΤΟΥΡΓΙΑ

Ρύθμιση ταχύτητας. (Για ορισμένα μοντέλα).



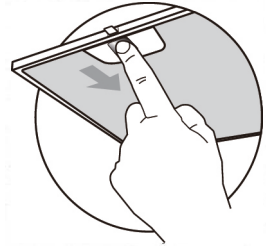
①	ΔΙΑΚΟΠΤΗΣ ΑΠΕΝΕΡΓΟΠΟΙΗΣΗΣ ΚΙΝΗΤΗΡΑ: Πιέστε αυτόν το διακόπτη για να διακόψετε τη λειτουργία του κινητήρα.
⊖	ΔΙΑΚΟΠΤΗΣ ΤΑΧΥΤΗΤΑΣ: Πιέστε αυτόν το διακόπτη, για να λειτουργεί ο κινητήρας σε χαμηλή ταχύτητα.
⊗	ΔΙΑΚΟΠΤΗΣ ΤΑΧΥΤΗΤΑΣ: Πιέστε αυτόν το διακόπτη, για να λειτουργεί ο κινητήρας σε μεσαία ταχύτητα.
⊗	ΔΙΑΚΟΠΤΗΣ ΤΑΧΥΤΗΤΑΣ: Πιέστε αυτόν το διακόπτη, για να λειτουργεί ο κινητήρας σε υψηλή ταχύτητα.
⊖	ΔΙΑΚΟΠΤΗΣ ΕΝΕΡΓΟΠΟΙΗΣΗΣ/ΑΠΕΝΕΡΓΟΠΟΙΗΣΗΣ ΦΩΤΙΣΜΟΥ: Πιέστε αυτόν το διακόπτη για να ανάψετε τα φώτα, και πιέστε τον πάλι για να τα απενεργοποιήσετε.

ΣΥΝΤΗΡΗΣΗ

ΦΙΛΤΡΑ ΛΙΠΟΥΣ

ΚΑΘΑΡΙΣΜΟΣ ΜΕΤΑΛΛΙΚΩΝ ΑΥΤΟΣΤΗΡΙΖΟΜΕΝΩΝ ΦΙΛΤΡΩΝ ΛΙΠΟΥΣ

- Τα φίλτρα πρέπει να καθαρίζονται κάθε 2 μήνες λειτουργίας ή πιο συχνά για ιδιαίτερα βαριά χρήση και μπορούν να πλυθούν σε πλυντήριο πιάτων.
- Αφαιρέστε τα φίλτρα ένα προς ένα, πιέζοντάς τα προς την πίσω πλευρά της μονάδας του απορροφητήρα και τραβώντας ταυτόχρονα προς τα κάτω.
- Πρέπει να αποφεύγεται η κάμψη των φίλτρων κατά τον καθαρισμό τους. Πριν τα τοποθετήσετε ξανά στον απορροφητήρα, βεβαιωθείτε ότι είναι εντελώς στεγνά. (Το χρώμα της επιφάνειας του φίλτρου μπορεί να αλλάξει με τον καιρό, αλλά αυτό δεν επηρεάζει την απόδοση του φίλτρου).
- Κατά την τοποθέτηση των φίλτρων στον απορροφητήρα, προσέξτε ότι είναι τοποθετημένα στη σωστή θέση, με τη λαβή στραμμένη προς τα έξω.

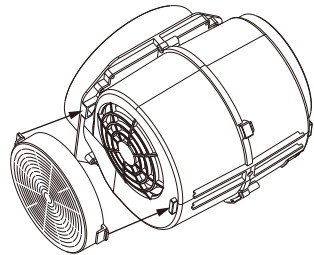


ΦΙΛΤΡΟ ΕΝΕΡΓΟΥ ΑΝΘΡΑΚΑ (ΕΚΔΟΣΗ ΑΝΑΚΥΚΛΩΣΗΣ)

Αυτά τα φίλτρα δεν πλένονται και δεν μπορούν να επιδιορθωθούν και πρέπει να αντικατασταθούν κάθε 4 περίπου μήνες λειτουργίας ή πιο συχνά με βαριά χρήση.

ΑΝΤΙΚΑΤΑΣΤΑΣΗ ΤΟΥ ΦΙΛΤΡΟΥ ΕΝΕΡΓΟΥ ΑΝΘΡΑΚΑ

- Αφαιρέστε τα μεταλλικά φίλτρα λίπους.
- Αφαιρέστε το κορεσμένο φίλτρο ενεργού άνθρακα.
- Τοποθετήστε τα καινούργια φίλτρα.
- Αντικαταστήστε τα μεταλλικά φίλτρα λίπους.



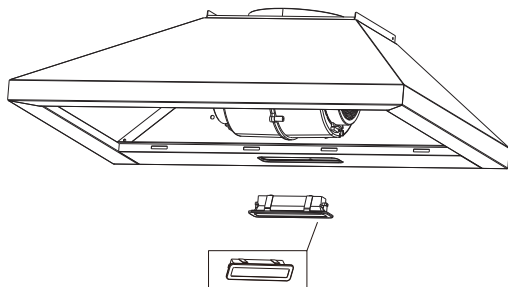
ΦΩΤΙΣΜΟΣ


ΑΝΤΙΚΑΤΑΣΤΑΣΗ ΦΩΤΟΣ

Αντικατάσταση των μονάδων φωτισμού

Για ορθογώνια LED:

- Αφαιρέστε το φίλτρο λίπους.
- Αφαιρέστε το φως με μοχλό την εφαρμογή του από το σώμα της κουκούλας (αυτό μπορεί να απαιτεί πίεση ή δύναμη για να γίνει εφαρμοσμένος).
- Αποσυνδέστε τη φίσα του φωτιστικού.
- Αντικαταστήστε το φως με ένα νέο ίδιου τύπου, φροντίζοντας να συνδέσετε σωστά το φως με το καλώδιο φωτός.
- Επανασυνδέστε το ρεύμα εισάγοντας το φως ή ενεργοποιώντας την ασφάλεια.



Τύπος λαμπτήρα	Μέγιστη ισχύς	Τάση	Εικόνα	Κάλυμμα λαμπτήρα	Κωδικός ILCOS D
Οι μονάδες LED χωρίζουν έρμα	1.5W	220V-240V	 Στρογγυλή/Διάμετρος: 33.2mmx120mm	--	DBS-1.5- H-33.2/120

ΑΝΤΙΜΕΤΩΠΙΣΗ ΠΡΟΒΛΗΜΑΤΩΝ

Βλάβη	Αίτιο	Λύση
Το φως ανάβει, αλλά το μοτέρ της εξωτερικής μονάδας δεν λειτουργεί	Οι λεπίδες είναι μπλοκαρισμένες.	Ελέγξτε τις λεπίδες.
	Ο πυκνωτής είναι κατεστραμμένος.	Αντικαταστήστε τον πυκνωτή.
	Το μοτέρ έχει υποστεί ζημιά.	Αντικαταστήστε το μοτέρ.
	Η εσωτερική καλωδίωση του μοτέρ έχει κοπεί/αποσυνδεθεί. Κάποιες φορές δημιουργείται μια δυσάρεστη οσμή.	Αντικαταστήστε το μοτέρ.
Το φως και το μοτέρ δεν λειτουργούν	Εκτός από τα παραπάνω, ελέγξτε τα εξής:	
	Το φως δεν λειτουργεί.	Αντικαταστήστε τους λαμπτήρες.
	Το καλώδιο ρεύματος είναι χαλαρό.	Συνδέστε τα καλώδια σύμφωνα με το διάγραμμα ηλεκτρολογικής σύνδεσης.
Διαρροή λαδιού	Η έξοδος και η είσοδος εξαερισμού δεν είναι σφραγισμένες.	Βγάλτε την πρίζα και σφραγίστε τις με κόλλα.
Κραδασμοί	Η λεπίδα, εάν έχει υποστεί ζημιά, μπορεί να προκαλεί κραδασμούς.	Αντικαταστήστε τη λεπίδα.
	Το μοτέρ δεν είναι καλά στερεωμένο.	Στερεώστε τον απορροφητήρα σφιχτά.
	Ο απορροφητήρας δεν είναι καλά στερεωμένος.	Στερεώστε τον απορροφητήρα με ασφάλεια.
Ανεπαρκής αναρρόφηση	Η απόσταση μεταξύ του απορροφητήρα και της εστίας είναι πολύ μεγάλη.	Ρυθμίστε ξανά την απόσταση.
	Υπερβολικός εξαερισμός από ανοιχτές πόρτες ή παράθυρα.	Επιλέξτε ένα άλλο μέρος για να εγκαταστήσετε τη συσκευή ή κλείστε μερικές πόρτες/ παράθυρα.
Η συσκευή έχει πάρει κλίση.	Οι βίδες στερέωσης δεν είναι αρκετά σφιγμένες.	Σφίξτε τη βίδα στερέωσης και φροντίστε να είναι οριζόντια.
	Οι βίδες ανάρτησης δεν είναι αρκετά σφιγμένες.	Σφίξτε τη βίδα ανάρτησης και φροντίστε να είναι οριζόντια.

ΔΙΑΘΕΣΗ ΠΑΛΑΙΩΝ ΗΛΕΚΤΡΙΚΩΝ ΣΥΣΚΕΥΩΝ



Η ευρωπαϊκή οδηγία 2012/19/ΕΚ σχετικά με τα απόβλητα ειδών ηλεκτρικού και ηλεκτρονικού εξοπλισμού (ΑΗΗΕ) απαιτεί οι παλιές οικιακές ηλεκτρικές συσκευές να μην απορρίπτονται στα κανονικά αδιαχώριστα αστικά απόβλητα. Οι παλιές συσκευές πρέπει να συλλέγονται χωριστά για να βελτιστοποιείται το ποσοστό ανάκτησης και ανακύκλωσης των υλικών που τις αποτελούν και να μειώνονται οι δυσμενείς επιδράσεις στην υγεία και το περιβάλλον.

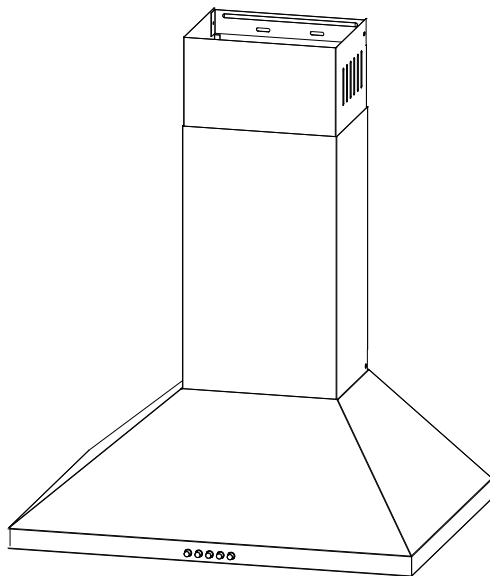
Το διαγραμμένο σύμβολο «τροχήλατος κάδος απορριμμάτων» στο προϊόν σας υπενθυμίζει την υποχρέωσή σας ότι, όταν πετάξετε τη συσκευή, πρέπει να συλλεχθεί χωριστά.

Οι καταναλωτές θα πρέπει να επικοινωνήσουν με μια τοπική αρχή ή έναν έμπορο λιανικής πώλησης για να λάβουν πληροφορίες σχετικά με την ορθή απόρριψη της συσκευής τους.



SPA

CHM6A17IX
CHM6A17W




CAMPANA EXTRACTORA

MANUAL DE INSTRUCCIONES

Lea este manual cuidadosamente antes de manipular el artefacto

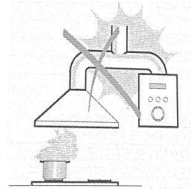
Las imágenes de este manual son referenciales, prevalece el tipo de producto.

RECOMENDACIONES Y SUGERENCIAS

 Las instrucciones de uso son aplicables en varias versiones de este artefacto. Por consiguiente, puede encontrar descripciones de características individuales que no se aplican en su artefacto en específico.

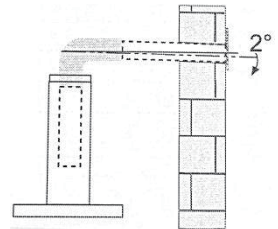
INSTALACIÓN

- El fabricante no se hace responsable por los daños resultantes de una instalación incorrecta o negligente.
- La distancia mínima entre la superficie de apoyo de los recipientes de cocción en la encimera y la parte más baja de la campana extractora. (Cuando la campana extractora esté ubicada sobre un artefacto a gas, la distancia deberá ser de al menos 65 cm. Si en las instrucciones de instalación de la encimera a gas se indica una distancia mayor, tome esas indicaciones en cuenta. La distancia de 650 mm puede acortarse en: partes no combustibles de campanas extractoras y partes que funcionan con voltaje de seguridad muy bajo, siempre y cuando estas partes no den acceso a partes electrificadas si se deforman ;)
- Verifique que el voltaje de la red corresponda con la indicada en la placa de datos de la campana.
- Para los artefactos de Clase I, verifique que el suministro eléctrico doméstico garantice una conexión a tierra correcta.
- Conecte el extractor a la salida de humos a través de un tubo de 120mm de diámetro mínimo. El recorrido de la chimenea debe ser lo más corto posible.
- El aire no debe descargarse en un ducto de humos utilizado para expulsar los humos de los artefactos a gas u otros combustibles.
- Si la campana se utiliza junto con artefactos no eléctricos (por ejemplo, artefactos a gas), debe garantizarse una buena ventilación en la cocina para evitar el reflujo de los gases de escape. La cocina debe tener una vía de salida que se comunique directamente con el ambiente exterior, de esta se garantizará la entrada de aire limpio.
- Cuando la campana extractora funcione junto a artefactos no eléctricos, la presión negativa en la cocina no debe exceder los 0,04 mbar para evitar que los humos regresen a la cocina por la campana extractora.
- Si el cable de alimentación está dañado, debe ser reemplazado por el fabricante, su agente de servicio u otra persona calificada equivalente, para evitar riesgos.
- Deben cumplirse las normativas referentes a la descarga de aire.



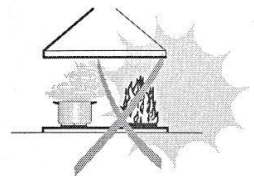
USO

- La campana extractora está diseñada solo para uso doméstico, no es apta para barbacoas, asadores y otros fines comerciales.
- Nunca utilice la campana para otros fines que no sean para los que ha sido diseñada.
- Durante el uso de la campana, nunca deje llamas altas y abiertas debajo del artefacto.
- Ajuste la intensidad de la llama para dirigirla solo hacia el fondo de la sartén, asegurándose de que no sobresalga por los lados.
- Las freidoras deben ser supervisadas continuamente durante su uso: el aceite sobrecalentado puede iniciar llamas de fuego.
- No prenda fuego debajo de la campana extractora; existe peligro de incendio.
- Este aparato puede ser manipulado por niños de 8 años o más y personas con capacidades físicas, sensoriales o mentales reducidas o sin experiencia y conocimiento si se les ha dado supervisión o instrucciones sobre el uso del aparato de manera segura y entienden los peligros involucrados
- Los niños deben ser vigilados para asegurarse de que no jueguen con el aparato.
- La limpieza y el mantenimiento no deben ser realizados por niños sin supervisión.
- "PRECAUCIÓN: Las partes accesibles pueden calentarse cuando se usan con artefactos de cocina".




MANTENIMIENTO

- La campana extractora y el filtro deben limpiarse con frecuencia de acuerdo a las instrucciones.
- Apague o desenchufe el artefacto de la red eléctrica antes de llevar a cabo cualquier trabajo de mantenimiento.
- Limpie y/o reemplace los filtros en la fecha indicada (peligro de incendio).
- Limpie la campana con un paño húmedo y un detergente líquido neutro.
- El artefacto utiliza como máximo 4 placas de cocción.





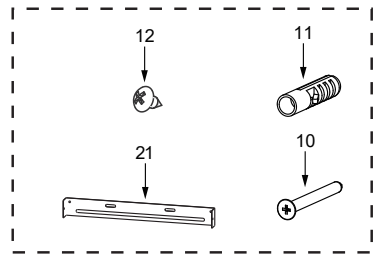
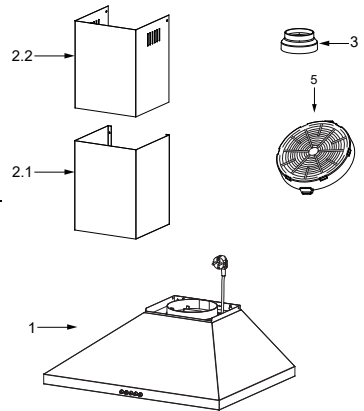
El símbolo  en el embalaje indica que este producto no puede considerarse como un residuo doméstico. Por consiguiente, será llevado al punto de recolección correspondiente para el reciclaje posterior de artefactos eléctricos y electrónicos. Al asegurarse de que este producto sea desechado correctamente, usted ayudará a evitar potenciales consecuencias negativas para el medioambiente y la salud humana, que podría ser causada por el manejo inapropiado de los residuos domésticos. Para obtener más detalles sobre el reciclaje de este producto, comuníquese con las autoridades municipales de su ciudad local, el servicio de disposición de desechos domésticos o la tienda donde compró el producto.

COMPONENTES

Ref.	Cantidad	Componentes del Producto
1	1	Cuerpo de la Campana extractora, completo con: Controles, Luz, Soplador, Filtro.
2.1	1	Chimenea decorativa inferior
2.2	1	Chimenea decorativa superior (opcional)
3	1	Brida (opcional)
5	2	El Filtro de Carbón Activado (opcional)

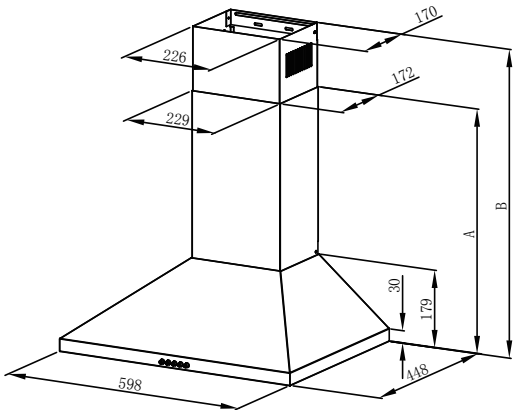
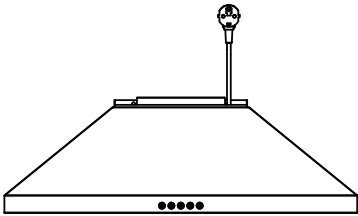
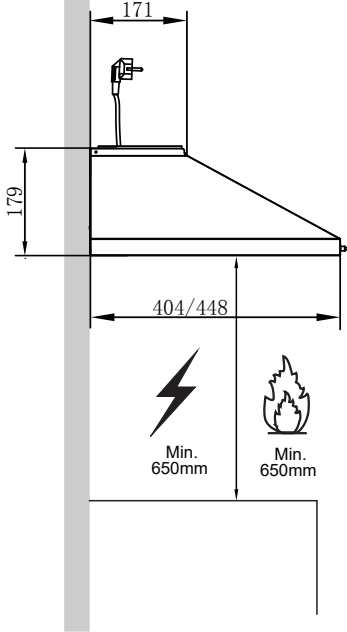
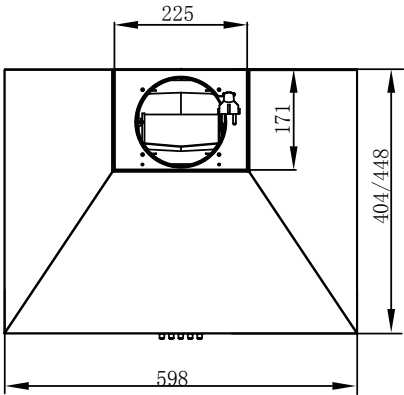
Cantidad	Documentación
1	Manual de Instrucciones

Ref.	Cantidad	Componentes de Instalación
10	7	Tornillos 5 x 50
11	7	Tacos de pared
12	6	Tornillos 4,2 x 9,5 / Tornillos 4 x 8
21	1	Soporte de fijación para chimenea (opcional)



MEDICIÓN

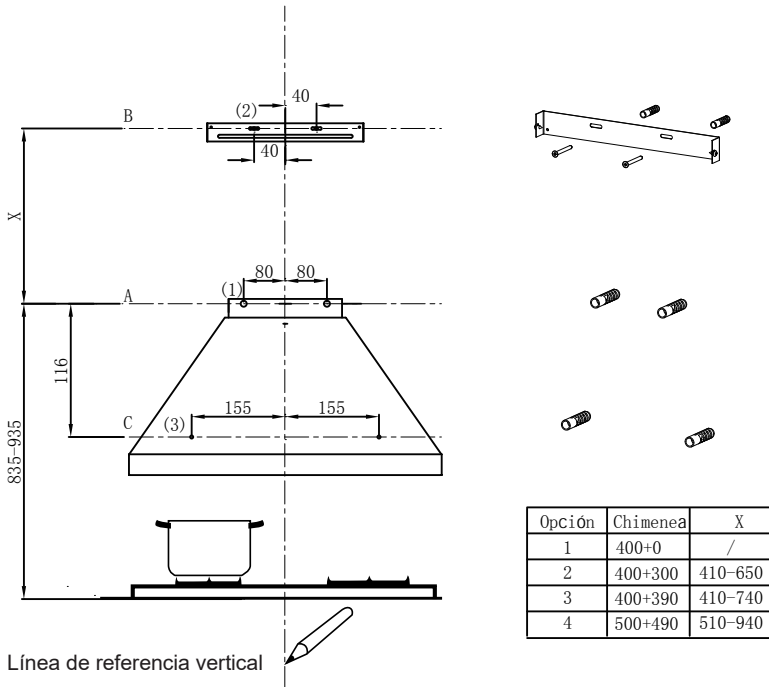
unidad: mm



Opción	Chimenea	A	B
1	400+0	569	/
2	400+300	569	610-850
3	400+390	569	610-940
4	500+490	669	710-1140

INSTALACIÓN

PERFORACIÓN DE PARED Y FIJACIÓN DE SOPORTES



Como primer paso, proceda según los siguientes dibujos:

- Una línea vertical hasta el techo o hasta el límite superior, en el centro de la zona en donde se instalará la campana.
- Una línea horizontal **A** a 835-935 mm sobre la encimera de la cocina.
- Una línea horizontal **B** a **X** mm sobre la línea horizontal **A**.
- Una línea horizontal **C** a 116mm debajo de la línea horizontal **A**.

Marcado de Puntos:

- Marque un punto **(1)** en la línea horizontal **A**, 80 mm hasta la línea de referencia vertical.
- Repita el marcado en el otro lado, verificando que las dos marcas estén al mismo nivel.
- Marque un punto **(2)** en la línea horizontal **B**, 40 mm hasta la línea de referencia vertical.
- Repita el marcado en el otro lado, verificando que las dos marcas estén al mismo nivel.
- Marque un punto **(3)** en la línea horizontal **C**, 155 mm hasta la línea de referencia vertical.
- Repita el marcado en el otro lado, verificando que las dos marcas estén al mismo nivel.

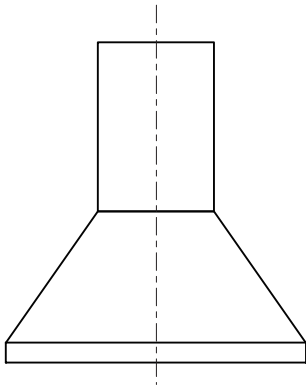
Fije los soportes (Opcional):

- Taladre agujeros en los puntos marcados con una broca de $\phi 10$ mm.
- Inserte los tacos de pared 11 en los orificios.
- Atornille 2 tornillos 10 (5 x 50) a los tacos de pared 11 en la línea horizontal A; Aproximadamente las cuatro quintas partes de los tornillos 10 (5 x 50) se atornillaron en los tacos de pared 11, utilizados para enganchar la campana.
- Fije un soporte de fijación de chimenea 21 con 2 tornillos 10 (5 x 50) en la línea horizontal B.

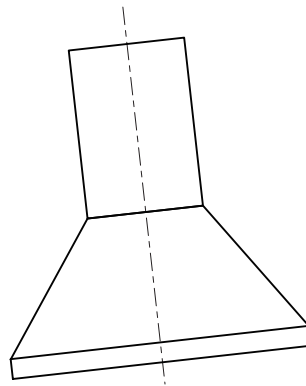
Enganchar el cuerpo de la campana

Enganche el cuerpo de la campana a los 2 tornillos 10 (5 x 50) en la línea horizontal A. Nivele el cuerpo de la campana.

Retire el filtro del interior del cuerpo de la campana, fije los tornillos 10 a los tacos 11 en los puntos (3).



Correcto



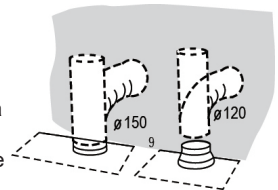
Incorrecto

CONEXIONES

SISTEMA DE ESCAPE DE AIRE EN LA VERSIÓN CONDUCTOS

Al instalar la versión conductos, conecte la campana extractora a la chimenea utilizando un tubo flexible o rígido de $\phi 150$ o $\phi 120$ mm, cuya elección se deja a criterio del técnico profesional.

- Para instalar una conexión de escape de aire de $\phi 120$ mm, inserte la brida reductora 3 en la salida del cuerpo de la campana extractora.
- Fije el tubo 4 en su posición utilizando suficientes abrazaderas de tubo (no incluidas).
- Retire los posibles filtros de carbón.

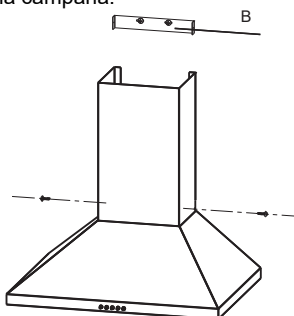


CONJUNTO DE CHIMENEA

La chimenea sólo se puede instalar con campana extractora.

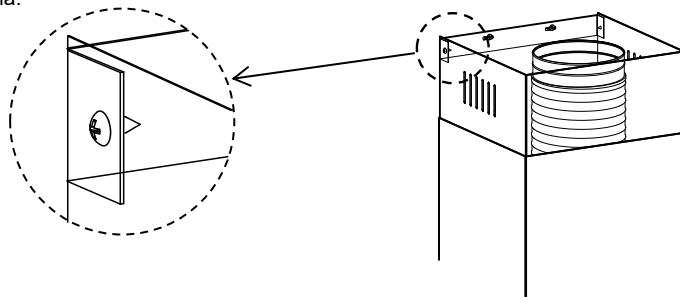
Chimenea Decorativa Inferior

- Fije la Chimenea Decorativa Inferior al cuerpo de la campana con 2 tornillos **12** (4,2 x 9,5) suministrados con la campana.



Chimenea Decorativa Superior

- Fije la chimenea superior al soporte **21** con 2 tornillos **12** (4,2 x 9,5) suministrados con la campana.



USO

Ajuste de velocidad. (En algunos Modelos)



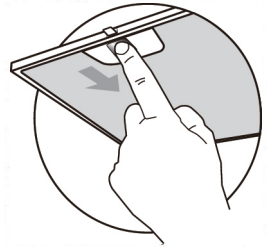
①	INTERRUPTOR DE APAGADO DEL MOTOR: Presione este interruptor para detener el funcionamiento del motor.
🌀	INTERRUPTOR DE VELOCIDAD: Presione este interruptor, el motor funciona a BAJA velocidad.
🌀*	INTERRUPTOR DE VELOCIDAD: Presione este interruptor, el motor funciona a velocidad MEDIA.
🌀*	INTERRUPTOR DE VELOCIDAD: Presione este interruptor, el motor funciona a ALTA velocidad.
💡	INTERRUPTOR DE ILUMINACIÓN ON/OFF: Presione este interruptor para encender las luces y presione nuevamente para apagarlas.

MANTENIMIENTO

FILTROS DE GRASA

LIMPIEZA DE FILTROS DE GRASA METÁLICOS AUTOSOPORTANTES.

- Los filtros deben limpiarse cada 2 meses de operación, o más seguido si el uso es particularmente intenso, y pueden lavarse en un lavavajillas.
- Retire los filtros uno a uno empujándolos hacia la parte posterior de la unidad de campana extractora y al mismo tiempo jale hacia abajo.
- Evite cualquier tipo de flexión de los filtros al lavarlos. Antes de volver a instalarlos en la campana extractora, asegúrese de que estén completamente secos. (El color de la superficie del filtro puede cambiar con el tiempo, pero esto no influye en la eficacia del filtro).
- Al colocar los filtros en la campana extractora, verifique que estén montados en la posición correcta con el asa hacia afuera.

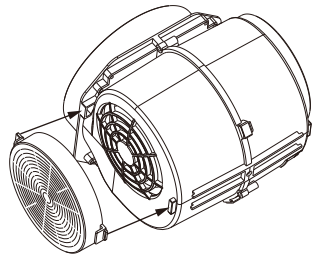


FILTRO DE CARBÓN ACTIVADO (VERSIÓN DE RECIRCULACIÓN)

Los filtros no son lavables y no se pueden regenerar, es por eso que deben reemplazarse aproximadamente cada 4 meses de funcionamiento, o con mayor frecuencia con un uso intensivo.

REEMPLAZO DEL FILTRO DE CARBÓN ACTIVADO

- Retire los filtros de grasa metálicos
- Retire el filtro de carbón activado saturado.
- Instale los filtros nuevos.
- Reemplace los filtros de grasa metálicos.



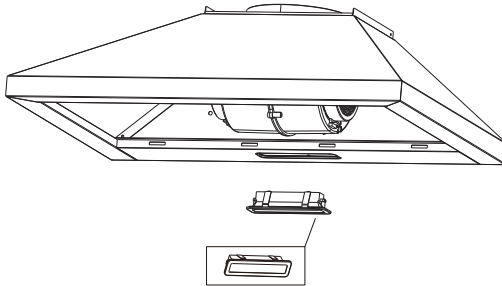
ILUMINACIÓN


REEMPLAZO DE LUZ

Reemplazo de los módulos de luz

Para LED rectangulares:

- Retire el filtro de grasa.
- Retire la luz haciendo palanca en su accesorio del cuerpo de la campana (esto puede requerir que se aplique presión o fuerza).
- Desconecte el conector de la luz.
- Reemplace la luz por una nueva del mismo tipo, asegurándose de conectar la luz con el cable de luz correctamente.
- Vuelva a conectar la alimentación insertando el enchufe de red o activando el fusible.



	Potencia máx.	Voltaje	Imagen	Tapa de Lámpara	ILCOS D código
Módulos LED con balastro propio	1.5W	220V-240V	 Cuadrado / Diámetro: 33,2mm x 120mm	/	DBS-1.5-H-33.2/120

SOLUCIÓN DE PROBLEMAS

Fallo	Causa	Solución
Luz encendida, pero el motor no funciona	Las cuchillas están bloqueadas.	Verifique las cuchillas.
	El condensador está dañado.	Reemplace el condensador.
	El motor está dañado.	Reemplace el motor.
	El cableado interno del motor está cortado/ desconectado. Puede producirse un olor desagradable.	Reemplace el motor.
Tanto la luz como el motor no funcionan	Aparte de lo indicado anteriormente, verifique lo siguiente:	
	Luz dañada.	Reemplazo de las luces.
Fuga de aceite	Cable de alimentación suelto.	Conecte los cables según el diagrama eléctrico.
	La salida y la entrada de ventilación de aire no están lo suficientemente selladas.	Quite la salida y selle con pegamento.
Vibración	La turbina, si está dañada, puede provocar vibraciones.	Reemplace la turbina
	El motor no está bien asegurado.	Asegure el motor firmemente.
	La campana extractora no está bien fijada.	Fijación de la campana extractora.
Succión insuficiente	La distancia entre la campana extractora y la placa de cocción es demasiado amplia.	Reajuste la distancia.
	Excesiva ventilación por puertas o ventanas abiertas.	Elija un nuevo lugar para instalar el artefacto o cierre algunas puertas / ventanas.
El artefacto se inclina	Los tornillos de fijación no están lo suficientemente ajustados.	Ajuste el tornillo de fijación y déjelo en posición horizontal.
	Los tornillos para colgar el artefacto no están lo suficientemente ajustados	Apriete el tornillo de suspensión y colóquelo en posición horizontal.

DISPOSICIÓN



La directiva europea 2012/19/UE sobre residuos de artefactos eléctricos y electrónicos (RAEE) exige que los artefactos eléctricos domésticos antiguos no sean desechados junto a otros residuos municipales comunes sin antes clasificarlos. Los artefactos antiguos deben recolectarse por separado para optimizar la recuperación y el reciclaje de los materiales que contienen y reducir el impacto en la salud humana y el medio ambiente.

El símbolo de "ciclo de reciclaje" tachado en el producto le recuerda su obligación, para que cuando deseche el artefacto, este sea separado según su categoría. Los consumidores deben contactar a las autoridades municipales locales o algún minorista para obtener información sobre la disposición correcta de su artefacto antiguo.

