



ENG

SRP

HRV/
BOS

SLV

SPA

POR

FD458IXE - FD458BLE

OPERATING INSTRUCTIONS COMBI FRIDGE-FREEZER NO FROST
UPUTSTVO ZA UPOTREBU FRIŽIDER SA ZAMRZIVAČEM NO FROST
UPUTE ZA UPORABU HLADNJAK SA ZAMRZIVAČEM NO FROST
NAVODILA ZA UPORABO HLADILNIK S ZAMRZOVALNIKOM NO FROST
MANUAL DE USUARIO FRIGORÍFICO CON CONGELADOR NO FROST
MANUAL DO USUÁRIO FRIGORÍFICO COM CONGELADOR NO FROST

EAC



VOX
ELECTRONICS

ENG

User manual

**Combi Fridge Freezer
No-Frost**

FD458IXE

FD458BLE

Content	
1. Safety Information	Page 1~9
2. Overview	Page 10
3. Installation	Page 11~13
4. Daily Use	Page 14~22
5. TECHNICAL DATA	Page 23
6. INFORMATION FOR TEST INSTITUTES	Page 23
7. CUSTOMER CARE AND SERVICE	Page 23

In the interest of your safety and to ensure the correct use, before installing and first using the appliance, read this user manual carefully, including its hints and warnings. To avoid unnecessary mistakes and accidents, it is important to ensure that all people using the appliance are thoroughly familiar with its operation and safety features. Save these instructions and make sure that they remain with the appliance if it is moved or sold, so that everyone using it through its life will be properly informed on appliance use and safety.






For the safety of life and property keep the precautions of these user's instructions as the manufacturer is not responsible for damages caused by omission.

Children and vulnerable people safety


- This appliance can be used by children aged from 8 years and above and persons with reduced physical, sensory or mental capabilities or lack of experience and knowledge if they have been given supervision or instruction concerning use of the appliance in a safe way and understand the hazards involved.
- Children aged from 3 to 8 years are allowed to load and unload this appliance.
- Children should be supervised to ensure that they do not play with the appliance.
- Cleaning and user maintenance shall not be made by children unless they are aged from 8 years and above and supervised.
- Keep all packaging well away from children. There is risk of suffocation.


- If you are discarding the appliance pull the plug out of the socket, cut the connection cable (as close to the appliance as you can) and remove the door to prevent playing children to suffer electric shock or to close themselves into it.
- If this appliance featuring magnetic door seals is to replace an older appliance having a spring lock (latch) on the door or lid, be sure to make that spring lock unusable before you discard the old appliance. This will prevent it from becoming a death trap for a child.

General safety


-  **WARNING!** Keep ventilation openings, in the appliance enclosure or in the built-in structure, clear of obstruction.
-  **WARNING!** Do not use mechanical devices or other means to accelerate the defrosting process, other than those recommended by the manufacturer.
-  **WARNING!** Do not damage the refrigerant circuit.
-  **WARNING!** Do not use other electrical appliances (such as ice cream makers) inside of refrigerating appliances, unless they are approved for this purpose by the manufacture.
-  **WARNING!** Do not touch the light bulb if it has been on for a long period of time because it could be very hot.¹⁾


¹⁾ If there is a light in the compartment.

 **WARNING!** When positioning the appliance, ensure the supply cord is not trapped or damaged.

 **WARNING!** Do not locate multiple portable socket-outlets or portable power suppliers at the rear of the appliance.

- Do not store explosive substances such as aerosol cans with a flammable propellant in this appliance.
- The refrigerant isobutane (R-600a) is contained within the refrigerant circuit of the appliance, a natural gas with a high level of environmental compatibility, which is nevertheless flammable.
- During transportation and installation of the appliance, be certain that none of the components of the refrigerant circuit become damaged.
 - avoid open flames and sources of ignition
 - thoroughly ventilate the room in which the appliance is situated
- It is dangerous to alter the specifications or modify this product in any way. Any damage to the cord may cause a short circuit, fire and/or electric shock.
- This appliance is intended to be used in household and similar applications such as
 - staff kitchen areas in shops, offices and other working environments;
 - farm houses and by clients in hotels, motels and other residential type environments;
 - bed and breakfast type environments;
 - catering and similar non-retail applications.

 **WARNING!** Any electrical components (plug, power cord, compressor and etc.) must be replaced by a certified service agent or qualified service personnel.

 **WARNING!** The light bulb supplied with this appliance is a “special use lamp bulb” usable only with the appliance supplied. This “special use lamp” is not usable for domestic lighting.¹⁾

- Power cord must not be lengthened.
- Make sure that the power plug is not squashed or damaged by the back of the appliance. A squashed or damaged power plug may overheat and cause a fire.
- Make sure that you can come to the mains plug of the appliance.
- Do not pull the mains cable.
- If the power plug socket is loose, do not insert the power plug. There is a risk of electric shock or fire.
- You must not operate the appliance without the lamp.
- This appliance is heavy. Care should be taken when moving it.
- Do not remove nor touch items from the freezer compartment if you hands are damp/wet, as this could cause skin abrasions or frost/freezer burns.
- Avoid prolonged exposure of the appliance to direct sunlight.

Daily use

- Do not put hot on the plastic parts in the appliance.
- Do not place food products directly against the rear wall.

¹⁾ If there is a light in the compartment.

- Frozen food must not be re-frozen once it has been thawed out.¹⁾
- Store pre-packed frozen food in accordance with the frozen food manufacturer's instructions.¹⁾
- Appliance's manufacturer's storage recommendations should be strictly adhered to. Refer to relevant instructions.
- Do not place carbonated or fizzy drinks in the freezer compartment as it creates pressure on the container, which may cause it to explode, resulting in damage to the appliance.¹⁾
- Ice lollies can cause frost burns if consumed straight from the appliance.¹⁾
- To avoid contamination of food, please respect the following instructions
- Opening the door for long periods can cause a significant increase of the temperature in the compartments of the appliance.
- Clean regularly surfaces that can come in contact with food and accessible drainage systems.
- Clean water tanks if they have not been used for 48h; flush the water system connected to a water supply if water has not been drawn for 5 days.
- Store raw meat and fish in suitable containers in the refrigerator, so that it is not in contact with or drip onto other food.
- Two-star frozen-food compartments (if they are presented in the appliance) are suitable for storing pre-frozen food, storing or making ice-cream and making ice cubes.

1) If there is a freezer compartment.

2) If there is a fresh-food storage compartment.

- One-, two- and three -star compartments (if they are presented in the appliance) are not suitable for the freezing of fresh food.
- If the appliance is left empty for long periods, switch off, defrost, clean, dry and leave the door open to prevent mould developing within the appliance.

Care and cleaning

- Before maintenance, switch off the appliance and disconnect the mains plug from the mains socket.
- Do not clean the appliance with metal objects.
- Do not use sharp objects to remove frost from the appliance. Use a plastic scraper.¹⁾
- Regularly examine the drain in the refrigerator for defrosted water. If necessary, clean the drain. If the drain is blocked, water will collect in the bottom of the appliance.²⁾

Installation

Important! For electrical connection carefully follow the instructions given in specific paragraphs.

- Unpack the appliance and check if there are damages on it. Do not connect the appliance if it is damaged. Report possible damages immediately to the place you bought it. In that case retain packing.

1) If there is a freezer compartment.

2) If there is a fresh-food storage compartment.

- It is advisable to wait at least four hours before connecting the appliance to allow the oil to flow back in the compressor.
- Adequate air circulation should be around the appliance, lacking this leads to overheating. To achieve sufficient ventilation follow the instructions relevant to installation.
- Wherever possible the spacers of the product should be against a wall to avoid touching or catching warm parts (compressor, con-denser) to prevent possible burn.
- The appliance must not be located close to radiators or cookers.
- Make sure that the mains plug is accessible after the installation of the appliance.

Service



- Any electrical work required to do the servicing of the appliance should be carried out by a qualified electrician or competent person.
- This product must be serviced by an authorized Service Center, and only genuine spare parts must be used.

Energy saving

- Don't put hot food in the appliance;
- Don't pack food close together as this prevents air circulating;
- Make sure food don't touch the back of the compartment(s);

- If electricity goes off, don't open the door(s);
- Don't open the door(s) frequently;
- Don't keep the door(s) open for too long time;
- Don't set the thermostat on exceeding cold temperatures;
- All accessories, such as drawers, shelves balconies, should be kept there for lower energy consumption.

Environment Protection

 This appliance does not contain gasses which could damage the ozone layer, in either its refrigerant circuit or insulation materials. The appliance shall not be discarded together with the urban refuse and rubbish. The insulation foam contains flammable gases: the appliance shall be disposed according to the appliance regulations to obtain from your local authorities. Avoid damaging the cooling unit, especially the heat exchanger. The materials used on this appliance marked by the symbol  are recyclable.



The symbol on the product or on its packaging indicates that this product may not be treated as household waste. Instead it should be taken to the appropriate collection point for the recycling of electrical and electronic equipment. By ensuring this product is disposed of correctly, you will help prevent potential negative consequences for the environment and human health,

which could otherwise be caused by inappropriate waste handling of this product. For more detailed information about recycling of this product, please contact your local council, your household waste disposal service or the shop where you purchased the product.

Packaging materials

The materials with the symbol are recyclable. Dispose the packaging in a suitable collection containers to recycle it.

Disposal of the appliance

1. Disconnect the mains plug from the mains socket.
2. Cut off the mains cable and discard it.

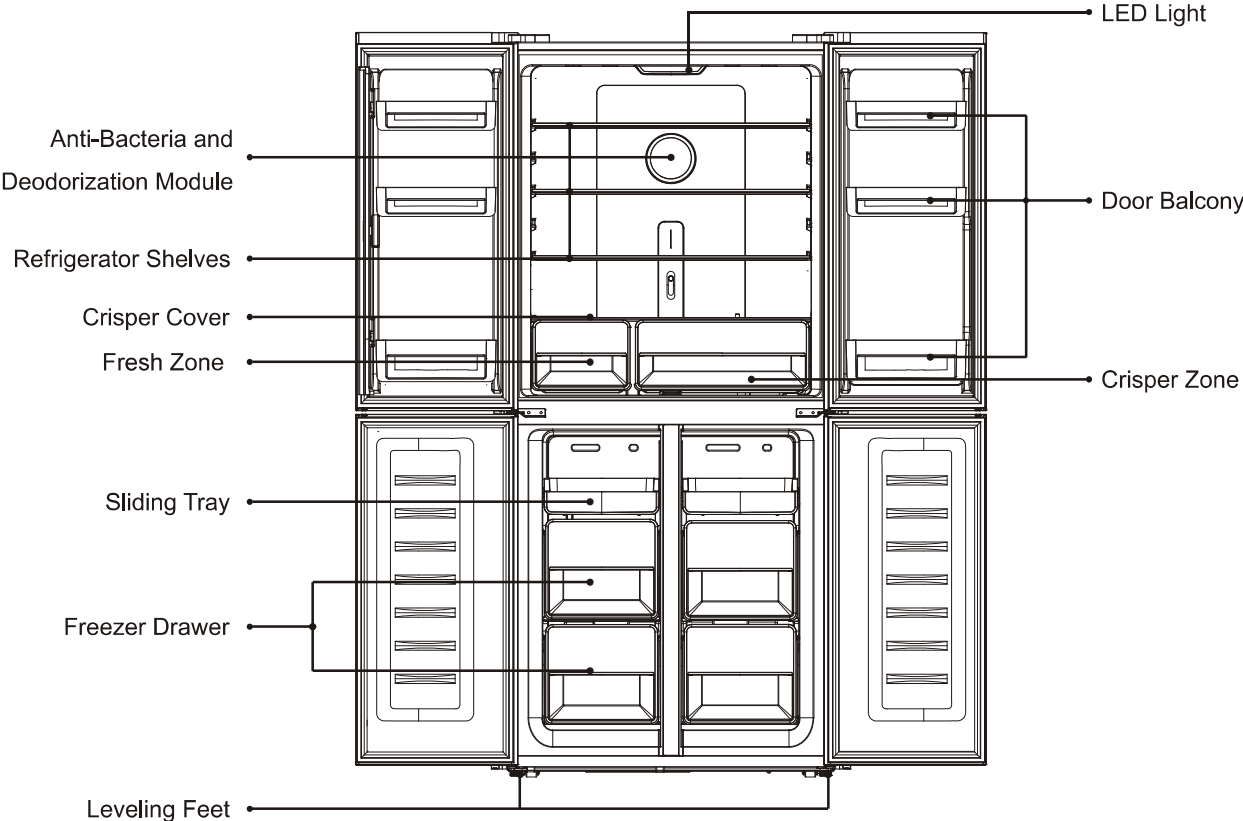


WARNING! During using, service and disposal the appliance, please pay attention to symbol similar as left side, which is located on rear of appliance (rear panel or compressor) and with yellow or orange color.

It's risk of fire warning symbol. There are flammable materials in refrigerant pipes and compressor.

Please be far away fire source during using, service and disposal.

Overview

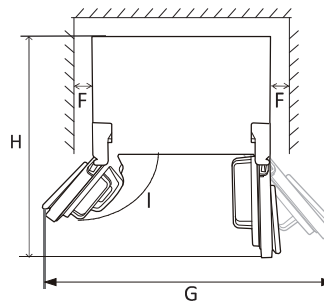
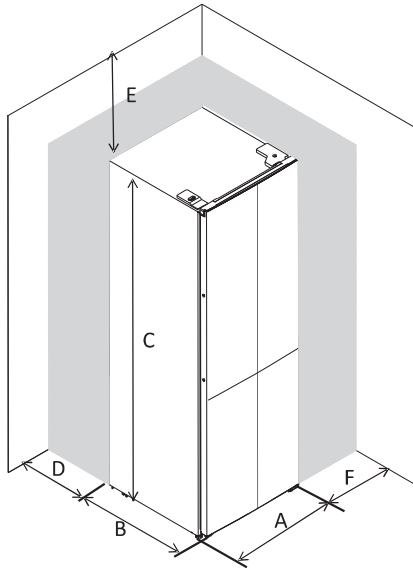


This illustration is only for hinting, the detail please check your appliance.

Installation

Space Requirement

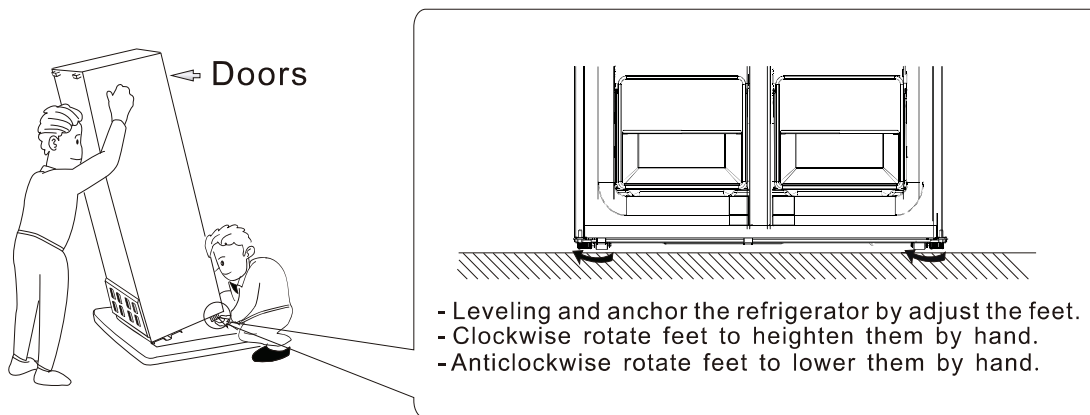
- Keep enough space of door open.



	FD458IXE	FD458BLE
A	795	795
B	700	692
C	1800	1800
D	min=50	min=50
E	min=50	min=50
F	min=50	min=50
G	1580	1580
H	1490	1490
I	135°	135°

Levelling the unit

To do this adjust the two levelling feet at front of the unit.



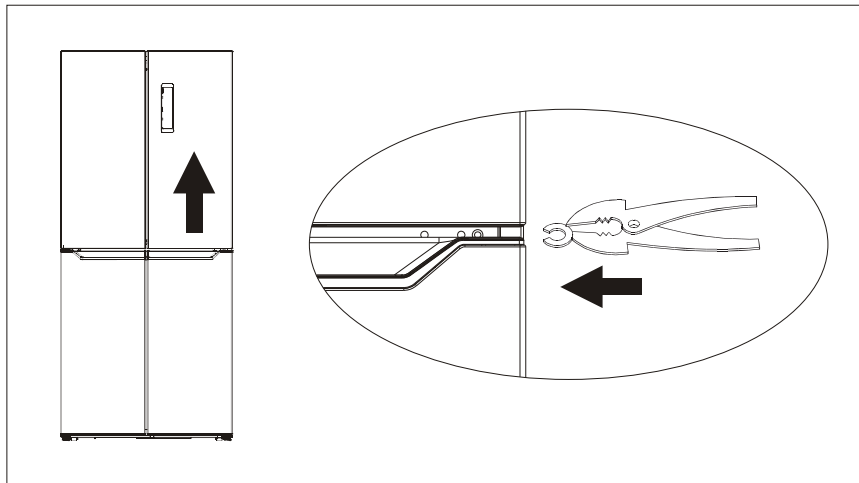
Level doors

After transportation or door balconies are loaded by food or beverage, upper two doors may not be aligned. There are 3 C type washers which are used to adjust doors. Please follow below process to level doors.




1. Before check alignment of doors, please make sure appliance stand levelly .
2. If top of upper two doors looks not in a line, please slightly lift lower door and insert a pieces of C type washer by a clip between bottom of door and middle hinge.

Installation

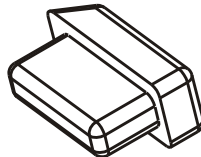


 **Warning!** Please be careful to avoid fingers are clipped by door. Please use tool.

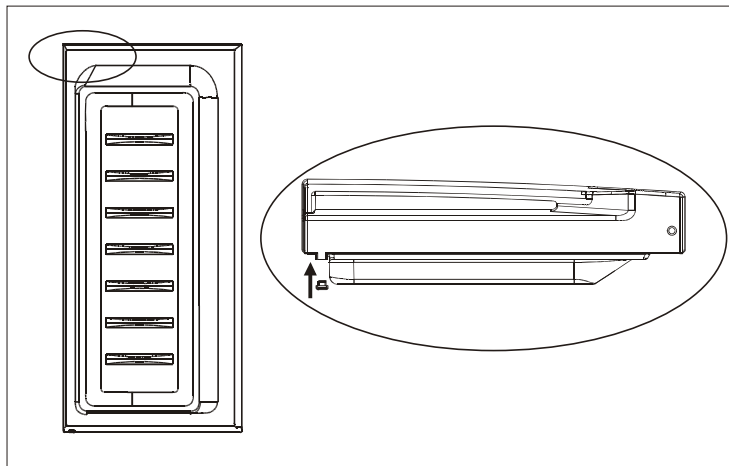
 **Warning!** Please keep C type washers far away children to avoid them are swallowed by children. They are small parts.

Rubber blocks

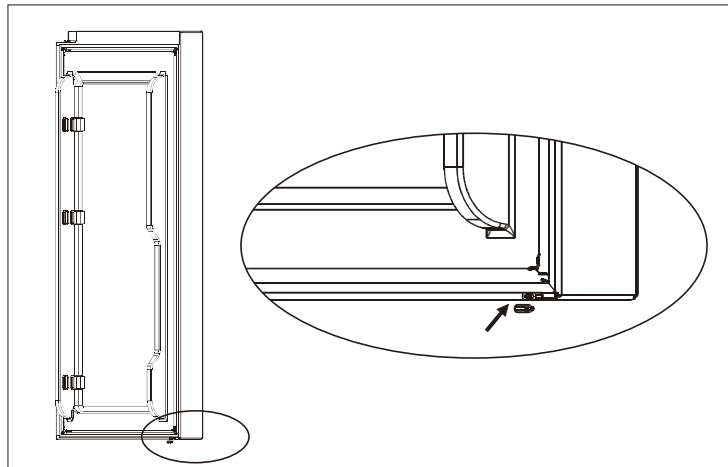
There is one rubber block on each door. They function as spring to relieve impact when door closes .



Please not pull the rubber blocks. If they absent from the doors, please take one from accessory bag and insert it to the hole of door.



Installation



Warning! Please keep rubber blocks far away children to avoid them are swallowed by children. They are small parts.

Positioning

Install this appliance at a location where the ambient temperature corresponds to the climate class indicated on the rating plate of the appliance:

for refrigerating appliances with climate class:

- extended temperature: this refrigerating appliance is intended to be used at ambient temperatures ranging from 10 °C to 32 °C; (SN)
- temperate: this refrigerating appliance is intended to be used at ambient temperatures ranging from 16 °C to 32 °C; (N)
- subtropical: this refrigerating appliance is intended to be used at ambient temperatures ranging from 16 °C to 38 °C; (ST)
- tropical: this refrigerating appliance is intended to be used at ambient temperatures ranging from 16 °C to 43 °C; (T)

Location

The appliance should be installed well away from sources of heat such as radiators, boilers, direct sunlight etc. Ensure that air can circulate freely around the back of the cabinet. To ensure best performance, if the appliance is positioned below an overhanging wall unit, the minimum distance between the top of the cabinet and the wall unit must be at least 50 mm. Ideally, however, the appliance should not be positioned below overhanging wall units. Accurate leveling is ensured by one or more adjustable feet at the base of the cabinet.

This refrigerating appliance is not intended to be used as a built-in appliance;

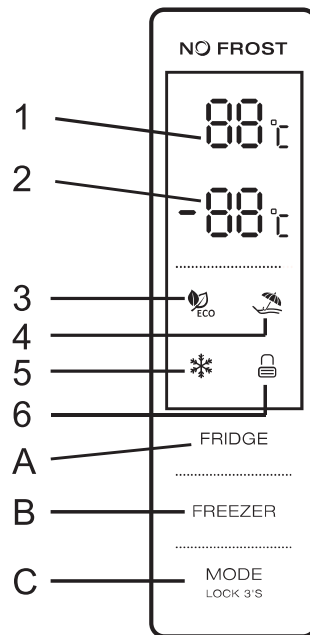
Warning! It must be possible to disconnect the appliance from the mains power supply; the plug must therefore be easily accessible after installation.

Electrical connection

Before plugging in, ensure that the voltage and frequency shown on the rating plate correspond to your domestic power supply. The appliance must be earthed. The power supply cable plug is provided with a contact for this purpose. If the domestic power supply socket is not earthed, connect the appliance to a separate earth in compliance with current regulations, consulting a qualified electrician. The manufacturer declines all responsibility if the above safety precautions are not observed. This appliance complies with the E.E.C. Directives.

Daily Use

Using the Control Panel



1.1 KEY OPERATION

- A. Temperature Control of Fridge Compartment
- B. Temperature Control of Freezer Compartment
- C. Mode/ Locking / Unlocking

1.2 LED DISPLAY

- 1. Temperature of Fridge Compartment
- 2. Temperature of Freezer Compartment
- 3. ECO Mode
- 4. Holiday Mode
- 5. Super Mode
- 6. Locking / Unlocking

2.0 OPERATING CONDITION

- a. The control panel is 100% lit up for 3 seconds, which operates exactly as per the setting (mode and temperature) before the poweroff. The system will be automatically locked 25 seconds after the last key operation. After locking, the light of the panel would be out 120 seconds after the last key operation.
- b. Both preset temperatures of fridge compartment and freezer compartment would be shown on the display.

2.1 DISPLAY

- 2.1.1 The panel will be lit up for 2 minutes once the door of fridge compartment or freezer compartment is opened. (one door signal is sensed at a time)

Daily Use

2.1.2 The panel will be lit up by any key operation whereas the light would be out 2 minutes after the last operation.

2.1.3 Display during normal operation

Temperature Display of the Fridge Compartment: Indicating the temperature of the current setting.

Temperature Display of the Freezer Compartment: Indicating the temperature of the current setting.

3.0 ILLUSTRATION OF THE KEY

3.1 Temperature Control of the Fridge Compartment

a. Temperature Control of the Fridge Compartment:

This key is workable both in User Defined Mode as well as Super Mode. After entering the temperature control of the fridge compartment, this key flashes. By touching the key consecutively, the temperature would change in a circle of "2°C, 3°C, 4°C, 5°C, 6°C, 7°C, 8°C, OFF", after which 5-second flashing means the selection of temperature is settled.

b. Shutoff of the Fridge Compartment:

Press the key of "Temperature Control of Fridge Compartment", choose "OFF", a 5-second flashing means the selection of temperature is made, namely the fridge compartment would stop refrigeration.

3.2 Temperature Control of the Freezer Compartment

Temperature Control of the Freezer Compartment: This key is workable both in User Defined Mode as well as Holiday Mode. After entering the temperature control of the freezer compartment, the key flashes. By touching the key consecutively, the temperature would change in a circle from -14°C to -22°C, after which a 5-second flashing means the selection of temperature is settled.

3.3 Mode/ Locking / Unlocking

a. By touching this key consecutively, the operation mode of the refrigerator will change in a circle of "ECO Mode-Holiday Mode-Super Mode-User Defined Mode. A 5-second flashing means the selection of temperature is settled.

b. Long Press to Enter / Exit Locking Mode

· Unlocking: Press for 3 seconds in the mode of locking, all the keys would be unlocked after the a beep.

· Locking: Press for 3 seconds in the mode of unlocking, all the keys would be locked after the a beep.

3.4 Press Button

Short beep after per press button

All buttons will only valid under unlock mode.

3.5 Lock Fnciton

N operation in 25 sec will lock the display automatically.

Daily Use

4.0 ECO mode

Press mode to choose ECO mode, ECO icon keeps bright after 5 sec flashing.
5°in fridge compartment and -18°in freezer compartment under eco mode,
“Freezer”&“Fridge“ button in vain while eco icon will flash three times in alarm.
Exit eco mode
Press mode again to exit eco mode after 5 sec, entering the selected mode.

4.1 Holiday Mode

Press mode to choose Holiday Mode, the icon keeps bright after 5 sec flashing, entering holiday mode.
Temperature fix 17°in fridge compartment, “fridge” button in vain, while holiday icon will flash three times in alarm.
Exit holiday mode: choose mode, exit holiday mode after 5 sec, entering the selected mode.

4.2 Super Freezing mode

Choose mode, icon keeps bright after 5 sec flashing, entering freezing mode.
Freezing mode:
Temperature nonadjustable in freezing compartment, “freezer” button in vain, while freezing icon will flash three times in alarm.
Exit freezing mode: meeting below conditions.
-manually exit freezing mode
-freezing period more than 50 hours

Mode remains the same before entering super freezing mode.

Daily Use

First use

Cleaning the interior

Before using the appliance for the first time, wash the interior and all internal accessories with lukewarm water and some neutral soap so as to remove the typical smell of a brand new product, then dry thoroughly.

Important! Do not use detergents or abrasive powders, as these will damage the finish.

Daily use

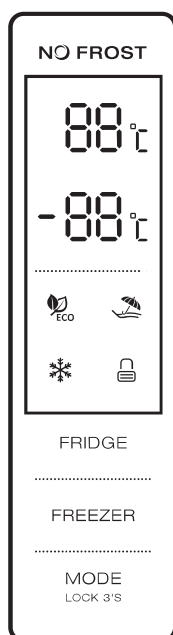
Position different food in different compartments according to be below table

Refrigerator compartments	Type of food
Door or balconies of fridge compartment	<ul style="list-style-type: none">• Foods with natural preservatives, such as jams, juices, drinks, condiments.• Do not store perishable foods.
Crisper drawer (salad drawer)	<ul style="list-style-type: none">• Fruits, herbs and vegetables should be placed separately in the crisper bin.• Do not store bananas, onions, potatoes, garlic in the refrigerator.
Fridge shelf – middle	<ul style="list-style-type: none">• Dairy products, eggs
Fridge shelf – top	<ul style="list-style-type: none">• Foods that do not need cooking, such as ready-to-eat foods, deli meats, leftovers.
Freezer drawer(s)/shelf	<ul style="list-style-type: none">• Foods for long-term storage.• Bottom drawer/shelf for raw meat, poultry, fish.• Middle drawer/shelf for frozen vegetables, chips.• Top drawer/shelf for ice cream, frozen fruit, frozen baked goods.

Daily Use

Temperature setting recommendation

Temperature Setting Recommendation	
Environment Temperature	Temperature Setting
Summer (Above 38°C)	Fridge set on 4°C
	Freezer set on -18°C
Normal	Fridge set on 4°C
	Freezer set on -18°C
Winter (Below 16°C)	Fridge set on 4°C
	Freezer set on -18°C



- Information above give users recommendation of temperature setting.

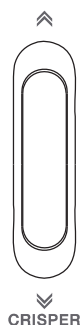
Impact on Food Storage

- Under Recommended setting, the best storage time of fridge is no more than 3 days.
- Under Recommended setting, the best storage time of freezer is no more than 1 month.
- The best storage time may reduce under other settings.

Daily Use

Fresh Zone Temperature Control

- Temperature of the fresh can be adjusted according to the type of storage food.
- Push the knob upward from the bottom, temperature in the fresh zone will be gradually decreased.
- When the knob is placed at the "CRISPER" position, the fresh zone can be functioned as a crisper zone and maintain the appropriate temperature and humidity for fruits and vegetable.
- When the knob is placed at the top position, it is suitable for short-term storage of fish or other fresh food. The food will keep fresh but not frozen which makes it the best choice for storing fresh food.
- Tips: When the knob is placed at the top position, it is recommended to set the refrigerator temperature below 4°C . and preserved lead-time no more than 3 days , in order to keep the best freshness.



Humidity Adjustment for Crisper Zone

- When the knob is placed at the "HIGH" position, the crisper humidity is high, which is suitable for vegetable.
- When the key is placed at the "LOW" position, humidity in the crisper is lower with is suitable for fruits.



Freezing fresh food

- The freezer compartment is suitable for freezing fresh food and storing frozen and deep-frozen food for a long time.
- Place the fresh food to be frozen in the freezer compartment.
- The maximum amount of food that can be frozen in 24 hours is specified on the rating plate.
- The freezing process lasts 24 hours: during this period do not add other food to be frozen.

Storing frozen food

When first starting-up or after a period out of use, before putting the product in the compartment let the appliance run at least 2 hours on the higher settings.

Important! In the event of accidental defrosting, for example the power has been off for longer than the value shown in the technical characteristics chart under "rising time", the defrosted food must be consumed quickly or cooked immediately and then re-frozen (after cooked).

Thawing

Deep-frozen or frozen food, prior to be used, can be thawed in the fridge compartment or at room temperature, depending on the time available for this operation.

Small pieces may even be cooked still frozen, directly from the freezer. In this case, cooking will take longer.

Ice-cube

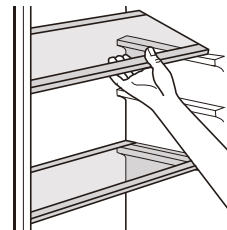
This appliance may be equipped with one or more ice-cube to produce ice.

Daily Use

Accessories

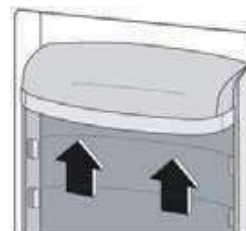
Movable shelves

The walls of the refrigerator are equipped with a series of runners so that the shelves can be positioned as desired.



Positioning the door balconies

To permit storage of food packages of various sizes, the door balconies can be placed at different heights. To make these adjustments proceed as follows: gradually pull the balcony in the direction of the arrows until it comes free, then reposition as required.



Helpful hints and tips

To help you make the most of the freezing process, here are some important hints:

- the maximum quantity of food which can be frozen in 24 hrs. is shown on the rating plate;
- the freezing process takes 24 hours. No further food to be frozen should be added during this period;
- only freeze top quality, fresh and thoroughly cleaned, foodstuffs;
- prepare food in small portions to enable it to be rapidly and completely frozen and to make it possible subsequently to thaw only the quantity required;
- wrap up the food in aluminium foil or polythene and make sure that the packages are airtight;
- do not allow fresh, unfrozen food to touch food which is already frozen, thus avoiding a rise in temperature of the latter;
- lean foods store better and longer than fatty ones; salt reduces the storage life of food;
- water ices, if consumed immediately after removal from the freezer compartment, can possibly cause the skin to be freeze burnt;
- it is advisable to show the freezing in date on each individual pack to enable you to keep tab of the storage time.

Hints for storage of frozen food

To obtain the best performance from this appliance, you should:

- make sure that the commercially frozen foodstuffs were adequately stored by the retailer;
- be sure that frozen foodstuffs are transferred from the food store to the freezer in the shortest possible time;
- not open the door frequently or leave it open longer than absolutely necessary.
- once defrosted, food deteriorates rapidly and cannot be re-frozen;
- do not exceed the storage period indicated by the food manufacture.

Hints for fresh food refrigeration

To obtain the best performance:

- Do not store warm food or evaporating liquids in the refrigerator
- Do cover or wrap the food, particularly if it has a strong flavour
- Make (all types): wrap in polythene bags and place on the glass shelves above the vegetable drawer.
- For safety, store in this way only one or two days at the most.
- Cooked foods, cold dishes, etc...: these should be covered and may be placed on any shelf.
- Fruit and vegetables: these should be thoroughly cleaned and placed in the special drawer(s) provided.
- butter and cheese: these should be placed in special airtight containers or wrapped in aluminum foil or polythene bags to exclude as much air as possible.
- Milk bottle: these should have a cap and should be stored in the balconies on the door.
- Bananas, potatoes, onions and garlic, if not packed, must not be kept in the fridge.

Daily Use

Cleaning

For hygienic reasons the appliance interior, including interior accessories, should be cleaned regularly.



Caution! The appliance may not be connected to the mains during cleaning. Danger of electrical shock! Before cleaning switch the appliance off and remove the plug from the mains, or switch off or turn out the circuit breaker or fuse. Never clean the appliance with a steam cleaner. Moisture could accumulate in electrical components, danger of electrical shock! Hot vapors can lead to the damage of plastic parts. The appliance must be dry before it is placed back into service.

Important! Ethereal oils and organic solvents can attack plastic parts, e.g. lemon juice or the juice from orange peel, butyric acid, cleanser that contain acetic acid.

- Do not allow such substances to come into contact the appliance parts.
- Do not use any abrasive cleaners
- Remove the food from the freezer. Store them in a cool place, well covered.
- Switch the appliance off and remove the plug from the mains, or switch off or turn out the circuit breaker of fuse.
- Clean the appliance and the interior accessories with a cloth and lukewarm water. After cleaning wipe with fresh water and rub dry.
- After everything is dry place appliance back into service.

Defrost Description (No Frost)

It is a total no frost refrigerator-freezer which will be defrosted automatically.

Daily Use

Troubleshooting



Caution! Before troubleshooting, disconnect the power supply. Only a qualified electrician of competent person must do the troubleshooting that is not in this manual.

Important! There are some sounds during normal use (compressor, refrigerant circulation).

Problem	Possible cause	Solution
Appliance does not work	Mains plug is not plugged in or is loose	Insert mains plug.
	Fuse has blown or is defective	Check fuse, replace if necessary.
	Socket is defective	Mains malfunctions are to be corrected by an electrician.
Appliance freezes or cools too much	Temperature is set too cold or the appliance runs at SUPER modes.	Turn the temperature regulator to a warmer setting temporarily.
The food is not frozen enough.	Temperature is not properly adjusted.	Please look in the initial Temperature Setting section.
	Door was open for an extended period.	Open the door only as long as necessary.
	A large quantity of warm food was placed in the appliance within the last 24 hours.	Turn the temperature regulation to a colder setting temporarily.
	The appliance is near a heat source.	Please look in the installation location section.
Heavy build up of frost on the door seal.	Door seal is not air tight.	Carefully warm the leaking sections of the door seal with a hair dryer (on a cool setting). At the same time shape the warmed door seal by hand such that it sits correctly.
Unusual noises	Appliance is not level.	Re-adjust the feet.
	The appliance is touching the wall or other objects.	Move the appliance slightly.
	A component, e.g. a pipe, on the rear of the appliance is touching another part of the appliance or the wall.	If necessary, carefully bend the component out of the way.
Water on the floor	Water drain hole is blocked.	See the Cleaning and Care section.

If the malfunction shows again, contact the Service Center. These data are necessary to help you quickly and correctly. Write the necessary data here, refer to the rating plate.

TECHNICAL DATA

The technical information is situated in the rating plate on the internal side of the appliance and on the energy label. The QR code on the energy label supplied with the appliance provides a web link to the information related to the performance of the appliance in the EU EPREL database.

Keep the energy label for reference together with the user manual and all other documents provided with this appliance.

It is also possible to find the same information in EPREL using the link <https://eprel.ec.europa.eu> and the model name and product number that you find on the rating plate of the appliance.

See the link www.theenergylabel.eu for detailed information about the energy label

INFORMATION FOR TEST INSTITUTES

Appliance for any EcoDesign verification shall be compliant with EN 62552. Ventilation requirements, recess dimensions and minimum rear clearances shall be as stated in this User Manual. Please contact the manufacturer for any other further information, including loading plans.

CUSTOMER CARE AND SERVICE

Always use original spare parts.

When contacting our Authorised Service Centre, ensure that you have the following data available: Model, Serial Number and Service Index.

The information can be found on the rating plate. Subject to change without notice. The original spare parts for some specific components are available for a minimum of 7 or 10 years, based on the type of component, from the placing on the market of the last unit of the model.

Visit our website to:

www.voxelectronics.com



SRP

Uputstvo za upotrebu

Frižider sa zamrzivačem No frost

FD458IXE

FD458BLE

Sadržaj	
1. Sigurnosna upozorenja	strana 1~11
2. Opšti izgled uređaja	strana 12
3. Instalacija	strana 13~15
4. Svakodnevna upotreba	strana 16 ~24
5. TEHNIČKI PODACI	strana 25
6. INFORMACIJE O TESTU PERFORMANSI (TEST INSTITUTE)	strana 25
7. SERVIS I BRIGA O KORISNIKU	strana 25



U Vašem je interesu da se obezbedi sigurna i pravilna upotreba, stoga pre instaliranja i prve upotrebe uređaja, pažljivo pročitajte ovaj korisnički priručnik, uključujući njegove savete i upozorenja. Da biste izbegli nepotrebne greške i nezgode, neophodno je da svi korisnici uređaja budu detaljno upoznati sa njegovim radom i bezbednim funkcijama. Sačuvajte ovo uputstvo i osigurajte da ostane uz uređaj ako ga premeštate ili prodajete, tako da svi koji ga koriste tokom njegovog veka trajanja budu pravilno informisani o upotrebi i bezbednosti uređaja.

Radi sigurnosti života i imovine pridržavajte se predostrožnosti u ovom korisničko priručniku, jer proizvođač nije odgovoran za štetu izazvanu nepoštovanjem mera opreza.

Bezbednost dece i osoba sa smanjenim sposobnostima

- Ovaj aparat mogu koristiti deca uzrasta 8 i više godina i osobe sa smanjenim fizičkim senzornim ili mentalnim sposobnosti ili nedostatkom iskustva i znanja ako su pod nadzorom ili su dobili instrukcije u vezi sa upotrebom aparata na siguran način i razumeju opasnosti do kojih može doći.
- Deci uzrasta od 3 do 8 godina dozvoljeno je da

⚠ Sigurnosna upozorenja



pune i prazne rashladne uređaje.

- Deca treba da budu pod nadzorom da se ne bi igrala s uređajem.
- Čišćenje i održavanje uređaja ne smeju vršiti deca osim ako imaju 8 ili više godina i ako su pod nadzorom.
- Čuvajte sav ambalažni materijal udaljen od dece. Postoji rizik od gušenja.
- Ukoliko odlažete uređaj, izvucite utikač iz utičnice, odsecite kabl za napajanje (što je moguće bliže uređaju) i uklonite vrata kako biste sprečili da se deca igraju s uređajem, strujni udar ili da se deca zatvore unutar uređaja
- Ukoliko vaš stari uređaj ima magnetnu zaptivku, razbijte ili uklonite je pre odlaganja starog uređaja. To će sprečiti da postane smrtonosna zamka za dete.

Opšta bezbednost

⚠ UPOZORENJE! Držite bez opstrukcija otvore ventilacije koji se nalaze u okruženju uređaja ili su ugrađeni u strukturu uređaja.

⚠ UPOZORENJE! Ne koristite mehaničke uređaje ili druge načine za ubrzavanje odleđivanja, osim onih preporučenih od strane proizvođača.

⚠ UPOZORENJE! Nemojte oštetiti rashladno kolo.

⚠ Sigurnosna upozorenja

⚠ UPOZORENJE! Ne koristite druge električne uređaje (kao na pr. aparate za pravljenje sladoleda) unutar odeljka ovog uređaja, osim ako su one odobrene za ovu namenu od strane proizvođača.

⚠ UPOZORENJE! Ne dodirivati sijalicu ukoliko je dugo uključena jer može biti jako vruća.¹⁾

⚠ UPOZORENJE! Kada postavljate uređaj, uverite se da kabl za napajanje nije umotan ili oštećen.

⚠ UPOZORENJE! Nemojte postavljati više prenosnih utičnica na zadnjoj strani uređaja.

- Nemojte držati eksplozivne supstance, kao što su aerosol limenke sa zapaljivim gasovima, u ovom uređaju.

- Izobutan (R600a), kojeg sadrži rashladno kolo ovog uređaja, je prirodni gas bez štetnog uticaja na životnu sredinu, ali je zapaljiv.

- Prilikom transporta i instalacije uređaja, uverite se da nijedan deo rashladnog kola ne bude oštećen.

- Izbegavajte otvorene plamenove i izvore paljenja

- Pažljivo provetrite prostoriju u kojoj je smešten uređaj

1) Ukoliko ima osvetljenja u odeljku uređaja.

⚠ Sigurnosna upozorenja



• Opasno je menjati specifikacije ili ovaj uređaj na bilo koji način. Svako oštećenje kabla za napajanje može prouzrokovati kratak spoj, vatru i/ili električni šok.

• Ovaj uređaj namenjen je upotrebi u domaćinstvu i sličnim upotrebama, kao što su

- kuhinje u radnjama, kancelarijama i drugim radnim okruženjima;

- farme i sobe dostupne gostima u hotelima, motelima i drugim okruženjima boravišnog tipa okruženjima tipa noćenje s doručkom;

- prenoćištima tipa bed&breakfast;

- ugostiteljstvu i sličnim namenama koja ne spadaju u maloprodaju.

⚠ UPOZORENJE! Svaki električni deo (utikač, kabl za napajanje, kompresor i td.) mora biti zamenjen od strane kvalifikovanog tehničara ili ovlašćenog servisnog agenta.

⚠ UPOZORENJE! Sijalica koja se koristi u uređaju je “sijalica sa posebnom namenom” koja se može koristiti samo kao pomoćni deo uređaja.

Ova “sijalica sa posebnom upotrebom” ne može se koristiti za sobno osvetljenje u domaćinstvu.¹⁾

• Nemojte koristiti produžne kablove.

• Uverite se da utikač nije prignječen ili oštećen na

⚠ Sigurnosna upozorenja



zadnjoj strani uređaja. Prignječeni ili oštećeni utikač može dovesti do pregrevanja i izazvati požar.

- Uverite se da možete doći do strujnog utikača uređaja.
- Nemojte vući kabl za napajanje.
- Ukoliko je utikač slabo povezan, ne ubacujte u utičnicu. Postoji rizik od elektrošoka ili požara.
- Ne smete rukovati uređajem bez lampe.
- Ovaj uređaj je težak. Voditi računa prilikom pomeranja.
- Ne uklanjajte i ne dodirujte stvari iz zamrzivača ukoliko su vam ruke vlažne/mokre, jer može doći do ogrebotina na koži ili promrzlina.
- Izbegavajte dugo izlaganje uređaja dnevnoj svetlosti.

Svakodnevna upotreba

- Ne stavljajte ništa vruće na plastične delove u uređaju.
- Ne stavljajte prehrambene proizvode direktno uz zadnji zid.

1)Ukoliko ima osvetljenja u odeljku uređaja.

Jednom odmrznuta hrana ne sme se ponovo zamrzavati.¹⁾

Otpremite hranu za pakovanje prema uputstvima proizvođača za otpremanje hrane za zamrzavanje.¹⁾

- Preporuke proizvođača za skladištenje hrane u uređaju moraju se strogo poštovati. Pogledajte relevantna uputstva.
- Nemojte stavljati gazirana pića u odeljak za zamrzavanje, jer dolazi do stvaranja pritiska unutar ambalaže, što može dovesti do eksplozije i oštećenja na uređaju.¹⁾
- Kocke leda mogu da dovedu do promrzlina ukoliko se koriste odmah po vađenju iz uređaja.¹⁾
- Da biste izbegli kontaminaciju hrane, obratite pažnju na sledeće instrukcije
- Otvaranje vrata na duži period može da uzrokuje značajan porast temperature u pregradama uređaja.
- Redovno čistite površine koje mogu da stupe u kontakt sa hranom i dostupnim drenažnim sistemima.

¹⁾Ukoliko ima osvetljenja u odeljku uređaja.

⚠ Sigurnosna upozorenja



- Očistite rezervoar za vodu ako ne se koristi 48 časa; isperite sistem za vodu povezan sa vodosnabdevanjem ako voda nije tekla 5 dana.
- U frižideru čuvajte sirovo meso i ribu u odgovarajućim posudama, tako da ne dođe u kontakt sa drugom hranom ili da ne kaplje na drugu hranu.
- Odeljci sa dve zvezde (ukoliko ih ima u uređaju) pogodni su za čuvanje prethodno zamrznute hrane, čuvanje ili pravljenje sladoleda ili ledenih kocki.
- Odeljci sa jednom , dve ili tri zvezde (ukoliko ih ima u uređaju) nisu pogodni za zamrzavanje sveže hrane.
- Ukoliko je aparat za hlađenje ostavljen prazan na duži period, isključite ga, odmrznite, očistite, osušite i ostavite vrata otvorena da sprečite razvoj plesni u uređaju.

Održavanje i čišćenje

- Pre održavanja, isključite uređaj i izvadite utikač iz zidne utičnice.
- Nemojte čistiti uređaj metalnim predmetima.
- Nemojte koristiti oštre predmete za uklanjanje mraza u uređaju. Koristite plastičnu grebalicu.¹

1) Ukoliko postoji odeljak zamrzivača.

⚠ Sigurnosna upozorenja



- Redovno proveravajte odvod zamrznute vode u frižideru. Po potrebi, očistite odvod.

Ukoliko je odvod blokiran, voda će se sakupljati na dnu uređaja.²⁾

Postavljanje

Važno! Kod električnog povezivanja pažljivo pratite date instrukcije u određenim odeljcima.

- Raspakujte uređaj i proverite da na njemu nema oštećenja. Nemojte povezivati uređaj ukoliko je oštećen. Prijavite moguća oštećenja odmah prodavnicu u kojoj ste kupili uređaj. U tom slučaju sačuvajte ambalažni materijal.
- Preporučuje se da sačekate najmanje 4 sata pre povezivanja uređaja kako bi se ulje u kompresoru rasporedilo pravilno.
- Obezbediti adekvatan protok vazduha oko uređaja, kako ne bi došlo do pregrevanja. Da biste obezbedili dovoljno vazduha, pratite relevantna uputstva za postavljanje.
- Izbegavati da štitnici uređaja dodiruju zid ili tople delove (kompresor, kondenzator) kako biste sprečili moguće gorenje uređaja
- Uređaj ne sme biti postavljen u blizini radiatora

2)Ukoliko postoji odeljak za čuvanje sveže hrane.

ni šporeta.

- Uverite se da je utičnica dostupna nakon postavljanja uređaja.



Servisiranje

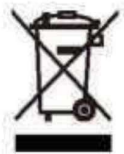
- Svaka električna intervencija koja zahteva servisiranje uređaja mora biti obavljena od strane kvalifikovanog električara ili kompetentne osobe.
- Ovaj proizvod mora biti servisiran od strane ovlašćenog servisnog centra, i mogu se koristiti samo originalni rezervni delovi.

Saveti za uštedu energije

- Nemojte stavljati toplu hranu u uređaj;
- Nemojte držati spakovanu hranu blizu jednu drugoj jer to sprečava cirkulisanje vazduha;
- Uverite se da hrana ne dodiruje zidove odeljaka;
- Ukoliko dođe do nestanka struje, nemojte otvarati vrata;
- Nemojte često otvarati vrata;
- Nemojte držati vrata dugo otvorena;
- Nemojte podešavati termostat na suviše niske temperature;
- Pojedine delove, kao što su fioke, treba držati zbog manje potrošnje električne energije.

Zaštita životne okoline

 Ovaj uređaj ne sadrži gasove koji mogu oštetiti ozonski omotač, kao ni rashladno kolo ni izolacioni materijal. Uređaj ne treba odstraniti zajedno sa gradskim smećem. Izolaciona pena sadrži zapaljive gasove: ovaj uređaj treba odložiti u skladu sa zakonskom regulativom za otklanjanje uređaja dobijenom od lokalnih vlasti. Izbegavajte oštećenja rashladnog dela, naročito toplotnog grejača. Materijali korišćeni na ovom uređaju koji su označeni simbolom  mogu se reciklirati.



Simbol na proizvodu ili njegovoj ambalaži označava da se s tim proizvodom ne sme postupati kao s kućnim otpadom. Umesto toga, proizvod treba da bude uklonjen od strane odgovarajućeg centra za reciklažu elektronske i električne opreme. Ispravnim uklanjanjem ovog proizvoda, pomažete u sprečavanju potencijalnih negativnih posledica na životnu sredinu i zdravlje ljudi, koji bi inače mogli biti ugroženi neodgovarajućim rukovanjem otpadom ovog proizvoda. Za detaljnije informacije o recikliranju ovog uređaja, molimo kontaktirajte odgovarajuću lokalnu ustanovu, službu za odlaganje kućnog otpada ili prodavnicu u kojoj ste kupili uređaj.

Materijali za ambalažu

Materijali sa simbolom mogu se reciklirati. Odložite materijal za pakovanje u adekvatne kontejnere za reciklažu.

Odlaganje uređaja

1. Isključite glavni utikač iz utičnice.
2. Isecite kabl za napajanje i odložite ga.



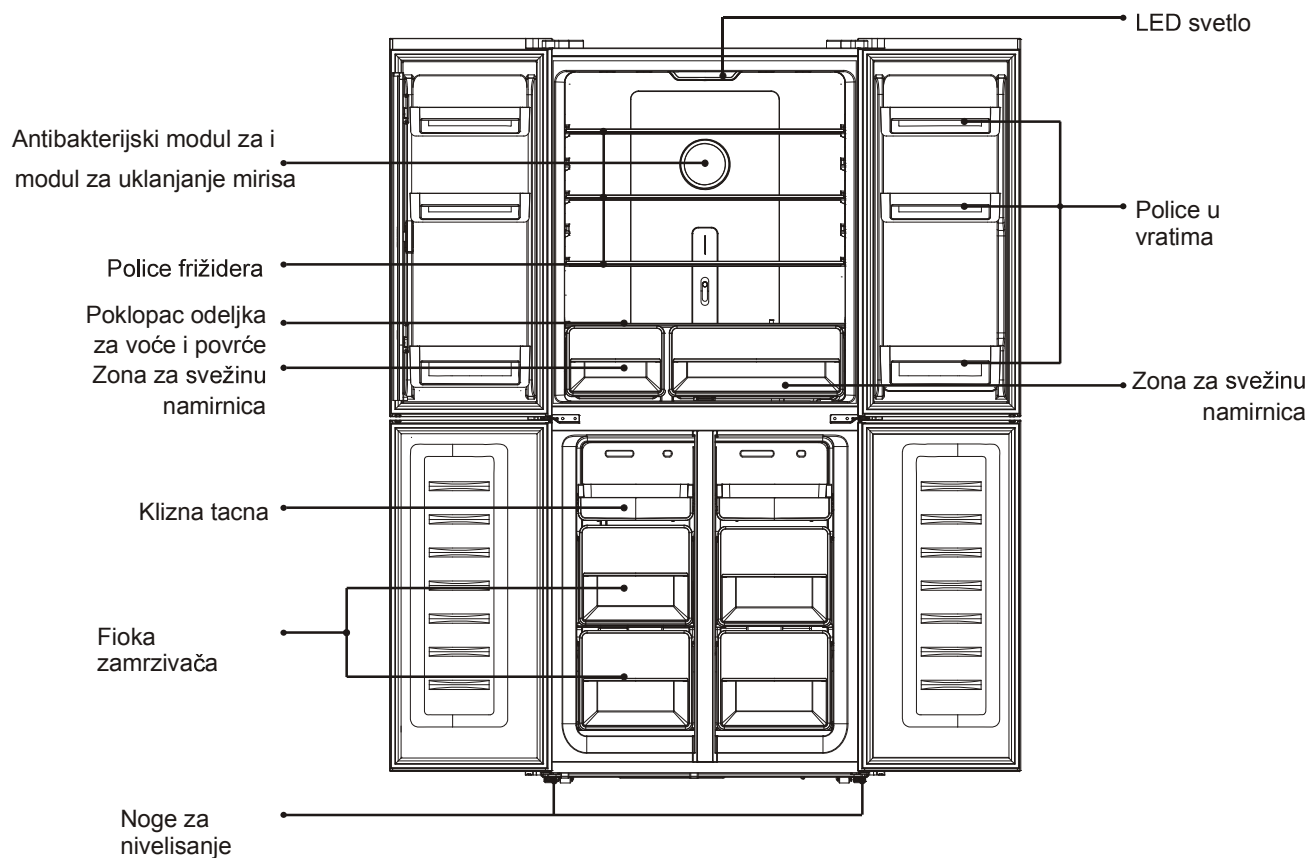
UPOZORENJE!

Tokom upotrebe, servisiranja i odlaganja uređaja, obratite pažnju na simbol sličan onome na levoj strani, koji se nalazi na zadnjoj strani uređaja (zadnja ploča ili kompresor) žute ili narandžaste boje.

To je simbol koji označava rizik od požara. U rashladnim cevima i kompresoru nalaze se zapaljivi materijali.

Molimo da uređaj udaljite od izvora vatre tokom upotrebe, servisiranja i odlaganja.

Opšti izgled uređaja

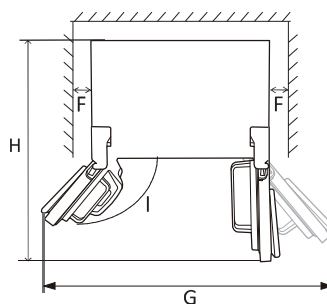
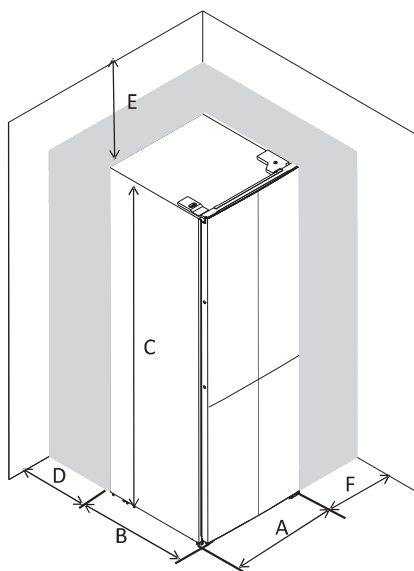


Ilustracija je samo za prikaz delova uređaja, za detalje pogledajte stvarni uređaj.

Instalacija

Prostorni zahtevi

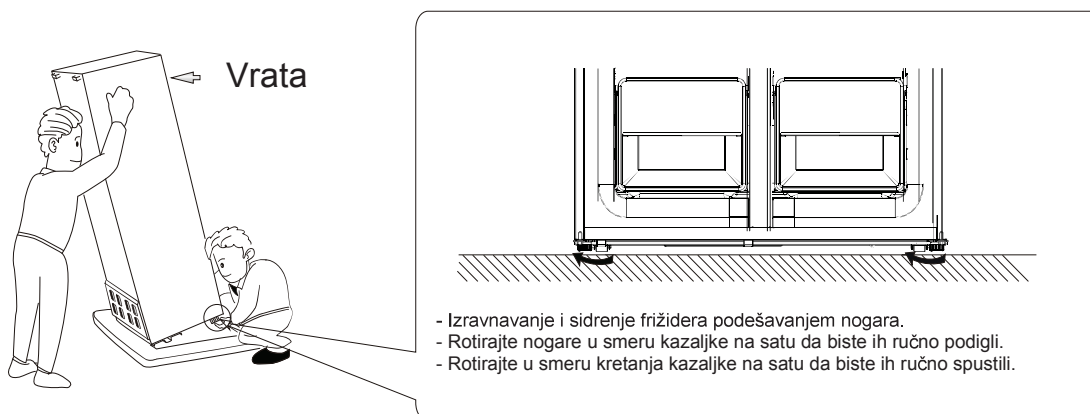
- Ostavite dovoljno prostora za otvaranje vrata.



	FD458IXE	FD458BLE
A	795	795
B	700	692
C	1800	1800
D	min=50	min=50
E	min=50	min=50
F	min=50	min=50
G	1580	1580
H	1490	1490
I	135°	135°

Nivelisanje uređaja

Da biste to učinili podesite dve nogare za nivelisanje na prednjoj strani uređaja.



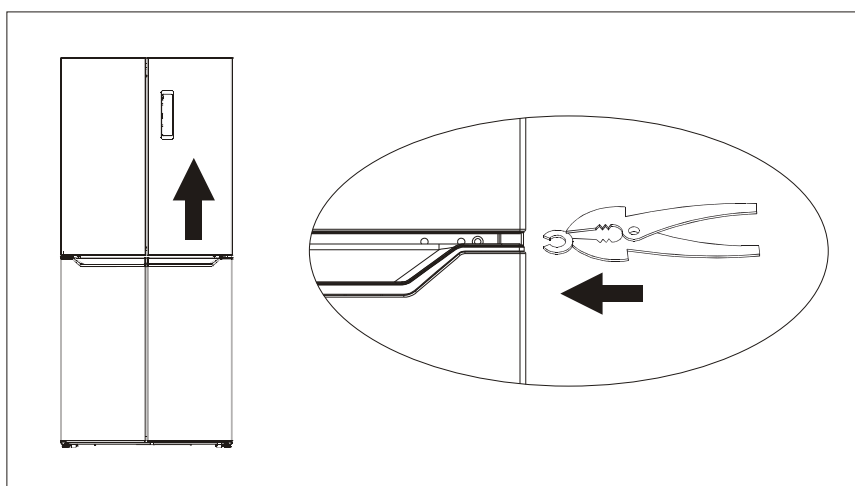
Nivelisanje vrata


Nakon transporta ili nakon što se police vrata napune hranom ili pićem, gornja dvoja vrata možda neće biti poravnana. Postoje 3 podloške tipa C koje se koriste za podešavanje vrata. Sledite donji postupak za izravnavanje vrata.



- Pre provere poravnanja vrata, pobrinite se da aparat stoji ravno.
- Ako gornja dvoja vrata ne izgledaju poravnana, lagano podignite donja vrata i umetnite komade podloške C tipa pomoću klipa između dna vrata i srednje šarke.

Instalacija

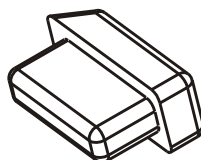


 **Upozorenje!** Pazite da prsti ne zakače vrata. Molimo koristite alat.

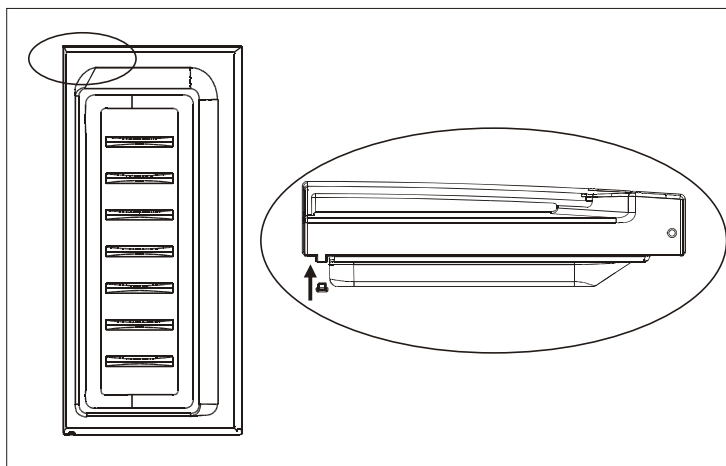
 **Upozorenje!** Molimo držite podloške tipa C daleko od dece da ih deca ne bi progutala. To su mali delovi.

Gumeni štitnici

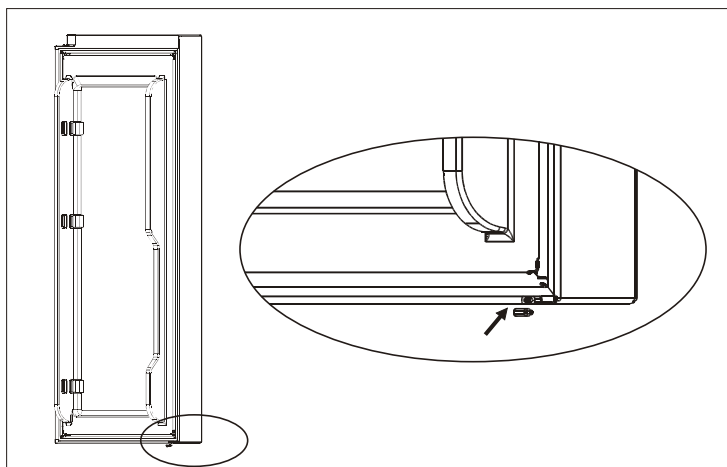
Na svakim vratima nalazi se po jedan gumeni štitić. Funkcionišu kao opruga za ublažavanje udara kada se vrata zatvore.



Molimo vas da ne izvlačite gumene štitiće. Ako ispadnu sa vrata, uzmite jednu iz kese sa dodacima i umetnite je u rupu vrata.



Instalacija



Upozorenje! Molimo držite gumene štitnike daleko od dece da ih deca ne bi progutala.
To su mali delovi.

Postavljanje

Postavite ovaj uređaj na mestu gde temperatura okoline odgovara klimatskoj klasi naznačenoj na natpisnoj pločici uređaja:

Za rashladne uređaje s klimatskom klasom:

- Povećano umerena: „ovaj rashladni uređaj predviđen je za upotrebu na sobnoj temperaturi u rasponu od 10 ° C do 32 ° C (SN);
- Umerena: „ovaj rashladni uređaj predviđen je za upotrebu na sobnoj temperaturi u rasponu od 16 ° C do 32 ° C (N);
- Subtropska: „ovaj rashladni uređaj predviđen je za upotrebu na sobnoj temperaturi u rasponu od 16 ° C do 38 ° C (ST);
- Tropska: „Ovaj rashladni uređaj predviđen je za upotrebu na sobnoj temperaturi od 16 ° C do 43 ° C (T);

Mesto postavljanja uređaja

Uređaj treba da bude postavljen udaljen od izvora toplote kao što su radijatori, bojleri, direktna sunčeva svetlost itd. Uverite se da vazduh može slobodno da cirkuliše oko zadnjeg dela zamrzivača. Da biste bili sigurni da će uređaj funkcionisati sa najboljim performansama, ukoliko je uređaj postavljen ispod visećih delova na zidu, minimalna udaljenost između poklopca uređaja i elementa montiranog na zid mora biti najmanje 100mm. Ipak, najidealnije je da se uređaj ne postavlja ispod montiranih delova na zidu. Nivelisanje uređaja moguće je pomoću jedne ili više nogara na postolju uređaja.



UPOZORENJE! Neophodno je omogućiti isključivanje uređaja iz glavnog utikača; stoga utičnica mora biti dostupna nakon instalacije.

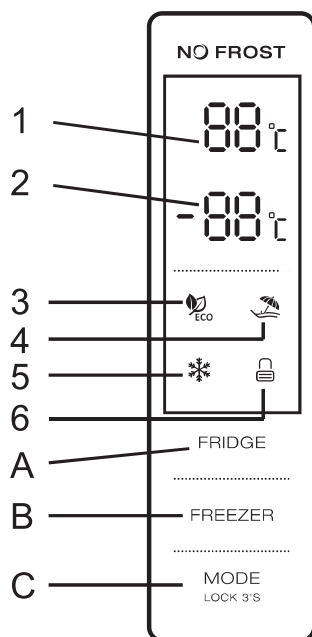
Električno povezivanje

Pre uključivanja uverite se da napon prikazan u tabeli odgovara naponu mreže vašeg domaćinstva. Utičnica u koju uključujete uređaj mora imati uzemljenje. Kabl za napajanje električnom energijom opremljen je kontaktima u tu svrhu. Ukoliko utičnica nije uzemljena, u skladu sa osnovnim propisima, konsultujte kvalifikovanog električara.

Proizvođač nije odgovoran ukoliko se ne preduzmu mere opreza.
Ovaj uređaj je u skladu sa direktivama EEC.

Svakodnevna upotreba

Upotreba kontrolne ploče



1.1 UPOTREBA TASTERA

- A. Kontrola temperature frižidera
- B. Kontrola temperature zamrzivača
- C. Način rada / zaključavanje / otključavanje

1.2 LED EKRAN

- 1. Temperatura frižidera
- 2. Temperatura zamrzivača
- 3. ECO način rada
- 4. Način rada za vreme Odmora
- 5. Super način rada
- 6. Zaključavanje / Otključavanje

2.0 USLOVI RADA

- a. Kontrolna ploča je 100% osvetljena tokom 3 sekunde i radi tačno u skladu sa podešavanjem (režim i temperatura) pre uključivanja. Sistem će se automatski zaključati 25 sekundi nakon poslednjeg pritiska tastera. Nakon zaključavanja, svetlo na ploči će se ugasi 120 sekundi nakon poslednjeg pritiska tastera.
- b. Prikazaće se obe unapred postavljene temperature i za frižider i za zamrzivač na ekranu.

2.1 EKRAN

- 2.1.1 Ploča će biti osvetljena 2 minuta nakon što se otvore vrata frižidera ili zamrzivača. (prepoznaje se po jedan signal za vrata)

Svakodnevna upotreba

2.1.2 Ploča će biti osvetljena bilo kojom operacijom tastera, dok će se svetlo isključiti 2 minuta nakon poslednjeg pritiska tastera.

2.1.3 Prikaz tokom normalnog rada

Prikaz temperature u odeljku frižidera: Prikazivanje temperature trenutne postavke.

Prikaz temperature u odeljku zamrzivača: Prikazivanje temperature trenutne postavke.

3.0 PRIKAZ TASTERA

3.1 Kontrola temperature odeljka frižidera

a. Kontrola temperature frižidera:

Ovaj taster funkcioniše kako u korisnički definisanom režimu, tako i u super režimu. Nakon ulaska u kontrolu temperature u odeljku frižidera, ovaj taster treperi. Uzastopnim dodirivanjem tastera temperatura se menja u krugu od „2 °C, 3 °C, 4 °C, 5 °C, 6 °C, 7 °C, 8 °C, OFF“, nakon čega treperenje od 5 sekundi znači da je izabrana temperatura postavljena.

b. Isključivanje frižidera:

Pritisnite taster „Kontrola temperature odeljka frižidera“, odaberite „ISKLJUČENO“, taster treperi 5 sekundi što znači da je izvršen izbor temperature, odnosno frižider će zaustaviti hlađenje.

3.2 Kontrola temperature zamrzivača

Kontrola temperature zamrzivača: Ovaj taster funkcioniše kako u korisnički definisanom režimu, tako i u režimu praznika. Nakon ulaska u kontrolu temperature zamrzivača, taster treperie. Uzastopnim dodirivanjem tastera, temperatura se menja u krugu od -1 °C do -22 °C, nakon čega treperenje od 5 sekundi označava da je izbor temperature završen.

3.3 Način rada/ Zaključavanje / Otključavanje

a. Pritiskom na ovaj taster, režim rada frižidera će se promeniti u krugu „ECO način - način Odmor - Super način - Korisnički definisani način. Treptanje od 5 sekundi znači da je izbor temperature završen.

b. Pritisnite i zadržite da biste ušli / izašli iz režima zaključavanja

· Otključavanje: Pritisnite 3 sekunde u režimu zaključavanja, svi tasteri će se otključati nakon zvučnog signala.

· Zaključavanje: Pritisnite 3 sekunde u režimu otključavanja, svi tasteri će biti zaključani nakon zvučnog signala.

3.4 Pritisak tastera

Kratak zvučni signal nakon pritiska na taster

Svi tasteri rade samo u režimu otključavanja.

3.5 Funkcija zaključavanja

Ako za 25 sekundi ne dođe do rada, ekran će se automatski zaključati.

Svakodnevna upotreba

4.0 ECO način rada

Pritisnite taster način da biste izabrali ECO način, ikona ECO ostaje da svetli nakon 5 sekundi treptanja. 5 °C u odeljku za frižider i -18 °C u odeljku za zamrzivač u eko režimu, taster „Zamrzivač i Frižider“ nije dostupan, pritisak na njega uzrokuje treperenje tastera eko tri puta kao alarm. Izađite iz ekološkog načina rada.

Ponovo pritisnite način da biste izašli iz eko načina nakon 5 sekundi, ulazeći u drugi izabrani način.

4.1 Način rada tokom Odmora

Pritisnite način da biste izabrali način za odmor, ikona ostaje da svetli nakon 5 sekundi treptanja, prelazeći u način za odmor.

Fiksna temperatura 17 °C u odeljku frižidera, taster „frižider“ nije distupan, dok će ikona Odmor trepnuti tri puta kao alarm.

Izađite iz načina odmora: odaberite drugi način, izađite iz načina odmora nakon 5 sekundi, ulazeći u drugi izabrani način.

4.2 Način Super zamrzavanja

Odaberite način rada, ikona ostaje da svetli nakon 5 sekundi treptanja, prelazeći u način zamrzavanja.

Način zamrzavanja:

Temperatura nije podesiva u odeljku za zamrzavanje, taster za zamrzavanje ne radi, dok će ikona zamrzavanja tri puta treptati kao alarm.

Izađite iz načina zamrzavanja: ispunjavanje ispod uslova.

- ručno izađite iz načina zamrzavanja
- vreme razmrzavanja duže od 50 sati

Način ostaje isti koji je bio pre ulaska u način super zamrzavanja.

Svakodnevna upotreba

Prva upotreba

Čišćenje unutrašnjosti

Pre prve upotrebe uređaja isperite unutrašnjost i unutrašnje delove mlakom vodom i neutralnim sapunom kako bi otklonili blago neprijatan miris karakterističan kod novog uređaja, zatim temeljno osušiti.

Važna napomena! Nemojte koristiti abrazivna sredstva ili deterdžente, jer će to oštetiti finu obradu uređaja.

Svakodnevna upotreba

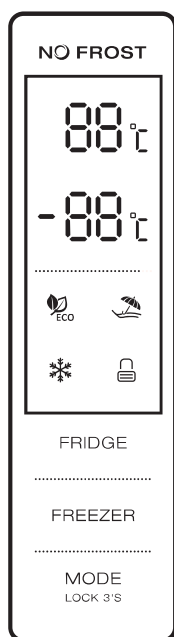
Postavite različitu vrstu hrane prema tabeli ispod:

Pregrade frižidera	Vrsta hrane
Vrata ili podesive pregrade u vratima	Hrana sa prirodnim konzervansima, kao što su džemovi, sokovi, pića i začini. Ne stavljajte kvarljivu hranu.
Fioka za salatu	Voće, bilje i povrće treba stavljati odvojeno. Nemojte stavljati banane, crni luk, krompir i beli luk u frižider.
Polica- u sredini	Mlečni proizvodi, jaja.
Polica-na vrhu	Hrana koju ne treba kuvati, kao što su gotova jela, mesni proizvodi, ostaci hrane.
Fioke/ police u zamrzivaču	Hrana za dugotrajno čuvanje. Sirovo meso, živina, riba u donjoj polici/fioci. Smrznuto povrće, pomfrit u srednjoj polici/fioci. Sladoled, smrznuto voće, smrznuta peciva u gornjoj polici/ u fioci.

Svakodnevna upotreba

Preporuke za postavljanje temperature

Preporuke za postavljanje temperature	
Temperatura prostorije	Podešavanje temperature
Leto (iznad 38°C)	Postaviti frižider na 4°C
	Postaviti zamrzivač na -18°C
Normalna	Postaviti frižider na 4°C
	Postaviti zamrzivač na -18°C
Zima (ispod 16°C)	Postaviti frižider na 4°C
	Postaviti zamrzivač na -18°C



- Gornje informacije daju korisnicima preporuke za podešavanje temperature.

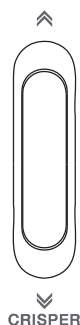
Uticaj na skladištenje hrane

- Prema preporučenim postavkama, najbolje vrijeme skladištenja frižidera nije duže od 3 dana.
- Prema preporučenim postavkama, najbolje vrijeme skladištenja zamrzivača nije duže od 1 meseca.
- Najbolje vreme čuvana može se smanjiti u drugim postavkama.

Svakodnevna upotreba

Kontrola temperature odeljka za čuvanje svežine

- Temperatura sveže zone može se prilagoditi prema vrsti skladištenja hrane.
- Gurnite prekidač prema gore odozdo, temperatura u svežoj zoni će se postepeno smanjivati.
- Kada je prekidač postavljen u položaj „CRISPER“, zona svežine može funkcionisati kao oštrija zona i održavati odgovarajuću temperaturu i vlažnost za voće i povrće.
- Kada je prekidač postavljen u gornji položaj, pogodno je za kratkotrajno skladištenje ribe ili druge sveže hrane. Hrana će biti sveža, ali ne i smrznuta, što je čini najboljim izborom za čuvanje sveže hrane.
- Saveti: Kada je prekidač postavljen u gornji položaj, preporučuje se da se temperatura frižidera postavi na ispod 4 ° C i sačuvano vreme rada ne više od 3 dana, kako bi se održala najbolja svežina.



Podešavanje vlažnosti za zonu čuvanja voća i povrća

- Kada je dugme postavljeno u položaj „HIGH“, vlažnost je veća, što je pogodno za povrće.
- Kada je dugme postavljeno u položaj „LOW“, vlažnost je niža, što je pogodno za voće.



Zamrzavanje sveže hrane

- Zamrzivač je pogodan za zamrzavanje sveže hrane i skladištenje zamrznute i duboko zamrznute hrane na duži vremenski period.
- Stavite svežu hranu u odeljak na dnu uređaja.
- Maksimalna količina hrane koja može biti zamrznuta u roku od 24 sata izložena je u tabeli.
- Proces zamrzavanja traje 24 sata: tokom ovog perioda nemojte dodavati drugu hranu da se zamrzne.

Skladištenje zamrznute hrane

Kada prvi put uključujete uređaj ili nakon perioda nekorišćenja uređaja, pre stavljanja hrane u zamrzivač pustite da uređaj radi najmanje dva sata na maksimalnoj temperaturi.

Važna napomena! U slučaju neplaniranog odmrzavanja, na primer ukoliko duže nije bilo struje od vrednosti prikazanih u tehničkim karakteristikama pod stavkom “vreme odmrzavanja”, odmrznuta hrana mora biti konzumirana u kratkom vremenskom roku ili odmah skuvana i tek nakon kuvanja ponovo zamrznuta.

Otapanje

Duboko zamrznuta ili zamrznuta hrana pre upotrebe treba da se otopi u frižideru ili na sobnoj temperaturi, u zavisnosti od raspoloživog vremena za ovaj proces. Mali delovi mogu se kuvati iako su još zamrznuti, direktno iz zamrzivača. U tom slučaju, kuvanje će trajati duže.

Kocke leda

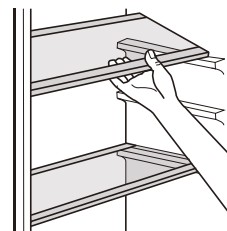
Ovaj uređaj može biti opremljen sa jednom ili dve posude za pravljenje ledenih kocki.

Svakodnevna upotreba

Dodatna oprema

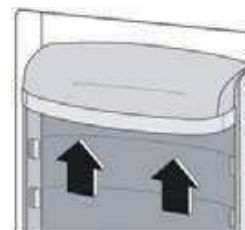
Police koje se mogu premeštati

Zidovi uređaja imaju veliki broj klizača tako da se police mogu postavljati po želji korisnika.



Postavljanje pregrada u vratima uređaja

Kako bi omogućili smeštanje pakovanja hrane raznih veličina, pregrade na vratima se mogu postavljati na različitim visinama. Da bi ih podesili postepeno povlačite pregradu u smeru označenom strelicama sve dok se ne oslobodi, a zatim je premestite na željenu visinu.



Korisni saveti

Da bismo vam pomogli u većini slučajeva zamrzavanja namirnica, evo nekoliko važnih saveta:

- maksimalna količina hrane koja može biti zamrznuta u roku od 24 sata izložena je u tabeli;
- proces zamrzavanja traje 24 sata: tokom ovog perioda nemojte dodavati drugu hranu da se zamrzne;
- zamrzavati samo vrhunski kvalitetnu, svežu i temeljno očišćenu hranu;
- otpremajte hranu u malim porcijama kako bi omogućili brzo i potpuno zamrzavanje, i tako omogućite naknadno odmrzavanje samo potrebne količine;
- uvijte hranu u aluminijumsku ili polietilensku foliju i uverite se da su pakovanja hermetički zatvorena;
- ne dozvolite da sveža nezamrznuta hrana dolazi u dodir sa već zamrznutom hranom, kako bi izbegli porast temperature ranije zamrznute hrane;
- Nemasna hrana bolje i duže se čuva od masne hrane; so smanjuje dužinu čuvanja hrane;
- Komadi leda ukoliko se konzumiraju odmah nakon vađenja iz zamrzivača, mogu izazvati oštećenja na koži;
- preporučljivo je da se na svakom pojedinačnom pakovanju označi datum zamrzavanja i omogući vam da partite vreme skladištenja.

Saveti za otpremanje zamrznute hrane

Da biste postigli najbolje performanse ovog uređaja, trebalo bi da:

- se uverite da je komercijalna zamrznuta hrana adekvatno spakovana od strane prodavca;
- budete sigurni da je zamrznuta hrana premeštena iz prodavnice do zamrzivača u što kraćem vremenskom roku;
- ne otvarate često vrata ili ih ostavljate otvorena duže nego što je neophodno.
- jednom odmrznuta, hrana se kviri i ne može se ponovo zamrzavati.
- ne dozvolite da istekne vreme dozvoljeno za držanje hrane u zamrzivaču od strane proizvođača hrane.

Saveti za otpremanje sveže hrane u frižider

Da biste postigli najbolje performanse:

- Nemojte odlagati toplu hranu ili tečnosti koje isparavaju u frižider
- Poklopite ili umotajte hranu ukoliko ima jaki miris
- Meso (sve vrste): Umotajte u kese za zamrzavanje hrane i odložite na staklene police iznad odeljka za čuvanje povrća i voća.
- Radi sigurnosti, na ovaj način odložite hranu najduže dan-dva.
- Kuvana hrana, hladna jela, i td...treba da se poklope i može se držati na bilo kojoj polici.
- Voće i povrće: pažljivo očistiti i odložiti u za to namenjenu fioku.
- Maslac i sir: čuvati u za to namenjenu kutiju ili umotati u aluminijumsku foliju ili kesu za zamrzavanje kako bi se što više sačuval .
- Flaše sa mlekom: moraju imati čep i treba ih držati u pregradama na vratima frižidera.
- Banane, krompir, crni i beli luk, ukoliko nisu upakovani, ne smeju se držati u frižideru.

Svakodnevna upotreba

Čišćenje

Iz higijenskih razloga unutrašnjost uređaja, uključujući unutrašnje sastavne delove moraju se redovno čistiti.



Oprez! Uređaj ne sme biti uključen prilikom čišćenja. Postoji opasnost od elektrošoka! Pre čišćenja isključite uređaj i uklonite utikač iz utičnice. Nikada nemojte čistiti uređaj paročistačem. Iga se može zadržati na električnim delovima, opasnost od elektrošoka! Vrela para može dovesti do oštećenja plastičnih delova. Uređaj mora biti suv pre nego što se ponovo pusti u rad.

Važno! Eterična ulja i organski rastvarači mogu reagovati sa plastičnim delovima, na primer limunov sok ili sok od pomorandže, buterna kiselina, sredstva za čišćenje koja sadrže sirćetnu kiselinu.

- Nemojte dozvoliti da takve supstance dodju u kontakt sa delovima uređaja.
- Nemojte koristiti nikakva abrazivna sredstva.
- Odstranite hranu iz zamrzivača. Čuvajte je na hladnom mestu, dobro pokrivenu.
- Isključite aparat i izvucite utikač iz električne mreže ili isključite ili isključite osigurač.
- Očistite uređaj i unutrašnje delove krpom i mlakom vodom. Nakon čišćenja obrišite čistom vodom i dobro osušite.
- Nakon što je sve osušeno ponovo pustite uređaj u rad.

Opis odmrzavanja (No Frost)

To je frižider-zamrzivač bez potpunog smrzavanja koji će se automatski odmrzavati.

Svakodnevna upotreba

Rešavanje problema



Pozor! Pre rešavanja problema, isključite mrežni kabl. Samo kvalifikovani električar može otkloniti kvar koji nije naveden u ovom uputstvu.

Važno! Prilikom normalne upotrebe prisutni su određeni zvuci (kompresor, cirkulacija rashladnog sredstva)

Problem	Mogući uzrok	Rešenje
Uređaj ne radi.	Glavni utikač nije uključen ili je oslabio.	Priključite glavni utikač.
	Osigurač je pregorio ili je u kvaru.	Proverite osigurač, zamenite ukoliko je potrebno.
	Utičnica je neispravna.	Neispravne utičnice mora zameniti električar.
Uređaj previše hladi ili zamrzava.	Temperatura je postavljena da previše hladi ili je uređaj u SUPER režimu.	Podesite regulator na toplije postavke.
Hrana nije dovoljna smrznuta.	Temperatura nije dobro postavljena.	Pogledajte odeljak Postavke temperature.
	Vrata su otvorena duže vreme.	Držite otvorena vrata samo koliko je neophodno.
	Velika količina tople hrane stavljena je u uređaj tokom prethodna 24 sata.	Postavite regulator na hladnije postavke.
	Uređaj je u blizini izvora toplote.	Pogledajte odeljak Mesto postavljanja.
Mraz na zaptivci na vratima.	Zaptivka nije čvrsto postavljena.	Pažljivo zagrejte deo na vratima koji je zaleđen pomoću fena (na hladnoj postavci). Istovremeno namestite zaptivku rukom da bude pravilno postavljena.
Netipična buka.	Uređaj nije nivelisan.	Podesite nogare.
	Uređaj dodiruje zid ili druge predmete.	Pomerite lagano uređaj.
	Sastavni deo, na pr. cev, sa zadnje strane uređaja dodiruje zid ili drugi deo uređaja.	Ukoliko je potrebno, pažljivo sklonite taj deo.
Voda na podu.	Crevo za odvod vode je blokirano.	Pogledajte odeljak Čišćenje i nega.

Ukoliko se kvar ponovo javi, kontaktirajte Servisni centar.

Ovi podaci će vam pomoći da ispravno i brzo otklonite kvar. Upišite neophodne podatke ovde, uporedite ih sa podacima na natpisnoj tablici.

TEHNIČKI PODACI

Tehničke informacije nalaze se na natpisnoj pločici na unutrašnjoj strani uređaja i na energetske nalepnici.

QR kod na energetske nalepnici isporučenoj sa uređajem daje vam web link o informacijama u vezi sa performansama uređaja u EU EPREL bazi podataka. Energetsku nalepnicu sačuvajte radi buduće reference zajedno sa uputstvom za upotrebu i svim ostalim dokumentima isporučenim uz ovaj uređaj.

Takođe je moguće pronaći iste informacije u EPREL-u putem linka <https://eprel.ec.europa.eu> i naziva modela i broja proizvoda koji se nalazi na natpisnoj pločici sa podacima o uređaju.

Za detaljne informacije o energetske nalepnici pogledajte link www.theenergylabel.eu

INFORMACIJE O TESTU PERFORMANSI (TEST INSTITUTE)

Za svaku Eko Dizajn verifikaciju, uređaj mora biti u skladu sa EN 62552 standardom. Ventilacioni zahtevi, dimenzije udubljenja i minimalni vazdušni prostor moraju biti navedeni u ovom korisničkom uputstvu. Molimo vas da kontaktirate proizvođača za sve dodatne informacije uključujući planove utovara.

SERVIS I BRIGA O KORISNIKU

Uvek koristite originalne rezervne delove.

Kada kontaktirate naš ovlašćeni servisni, potrebni su vam sledeći podaci: model, serijski broj i indeks servisa.

Informacije se mogu naći na natpisnoj pločici. Podložne su promenama bez najave. Originalni rezervni delovi za neke određene komponente dostupni su najmanje 7 ili 10 godina, u zavisnosti od vrste komponente, od stavljanja na tržište poslednjeg modela uređaja.

Posetite naš web sajt:

www.voxelectronics.com



HRV

BOS

Upute za uporabu

Hladnjak sa zamrzivačem No frost FD458IXE FD458BLE

Sadržaj	
1. Sigurnosna upozorenja	strana 1~11
2. Opći izgled uređaja	strana 12
3. Instalacija	strana 13~15
4. Svakodnevna uporaba	strana 16 ~24
5. TEHNIČKI PODACI	strana 25
6. INFORMACIJE O TESTU PERFORMANSI (TEST INSTITUTE)	strana 25
7. SERVIS I BRIGA O KORISNIKU	strana 25



Sigurnosna upozorenja



U Vašem je interesu da osigurate pravilnu i sigurnu uporabu, te prije postavljanja i prve uporabe uređaja, pažljivo pročitajte ovaj korisnički priručnik, uključujući njegove savjete i upozorenja. Da biste izbjegli nepotrebne greške i nezgode, neophodno je da svi korisnici uređaja budu detaljno upoznati sa njegovim radom i sigurnim funkcijama. Sačuvajte ove upute i osigurajte da ostanu uz uređaj ako mu mijenjate mjesto ili ga prodajete, tako da svi koji ga koriste tijekom njegovog vijeka trajanja budu pravilno informirani o uporabi i sigurnosti uređaja. Radi sigurnosti života i imovine pridržavajte se naputaka u ovom korisničkom priručniku, jer proizvođač ne snosi odgovornost za štetu izazvanu nepoštovanjem mjera opreza.

Sigurnost djece i osoba sa smanjenim sposobnostima

- Ovaj aparat mogu koristiti djeca dobi od 8 i više godina i osobe sa smanjenim fizičkim osjetilnim ili mentalnim sposobnostima ili nedostatkom iskustva i znanja ako su pod nadzorom ili su dobile upute o korištenju uređaja na siguran način i razumiju opasnosti kojoj mogu biti izložene.
- Djeci u dobi od 3 do 8 godina dopušteno je da


Sigurnosna upozorenja




pune i prazne rashladne uređaje.

- Djeca treba da budu pod nadzorom da se ne bi igrala s uređajem.
- Čišćenje i održavanje uređaja ne smiju vršiti djeca osim ako imaju 8 ili više godina i ako su pod nadzorom.
- Čuvajte sav ambalažni materijal udaljen od djece. Postoji rizik od gušenja.
- Ukoliko odlažete uređaj, izvucite utikač iz utičnice, odsijecite naponski kabel (što je moguće bliže uređaju) i uklonite vrata kako biste spriječili da se djeca igraju s uređajem, strujni udar ili da se djeca zatvore unutar uređaja
- Ukoliko vaš stari uređaj ima magnetnu brtvu, razbijte ili uklonite je prije odlaganja starog uređaja. To će spriječiti da postane smrtonosna zamka za dijete.

Opća sigurnost

 **UPOZORENJE!** Držite bez opstrukcija otvore ventilacije koji se nalaze u okruženju uređaja ili su ugrađeni u strukturu uređaja.

 **UPOZORENJE!** Ne koristite mehaničke uređaje ili druge načine za ubrzavanje odleđivanja, osim onih preporučenih od strane proizvođača.

 **UPOZORENJE!** Nemojte oštetiti rashladni krug.

⚠ Sigurnosna upozorenja



⚠ **UPOZORENJE!** Ne koristite druge električne uređaje (kao na pr. aparate za pravljenje sladoleda) unutar odjeljaka ovog uređaja, osim ako su tipa koje je preporučio proizvođač.

⚠ **UPOZORENJE!** Ne dodirivati žarulju ukoliko je dugo uključena jer može biti jako vruća.¹⁾

⚠ **UPOZORENJE!** Kada postavljate uređaj, uvjerite se da naponski kabel nije uvijen ili oštećen.

⚠ **UPOZORENJE!** Nemojte postavljati više prenosnih utičnica na stražnjoj strani uređaja.

- Nemojte držati eksplozivne tvari, kao što su aerosol posude sa zapaljivim plinovima, u ovom uređaju.
- Izobutan (R600a), kojeg sadrži rashladno kolo ovog uređaja, je prirodni plin bez štetnog utjecaja na životnu sredinu, ali je zapaljiv.
- Prilikom transporta i postavljanja uređaja, uvjerite se da nijedan dio rashladnog kola ne bude oštećen.
- Izbjegavajte otvorene plamenove i izvore paljenja
- Pažljivo prozračite prostoriju u kojoj je smješten uređaj

1) Ukoliko ima osvjetljenja u odjeljku uređaja.

⚠ Sigurnosna upozorenja

- Opasno je mijenjati specifikacije ili ovaj uređaj na bilo koji način. Svako oštećenje naponskog kabla može prouzročiti kratak spoj, vatru i/ili električni šok.
- Ovaj uređaj namijenjen je uporabi u kućanstvu i sličnim namjenama, kao što su:
 - kuhinje u trgovinama, uredima i drugim radnim okruženjima;
 - farme i sobe dostupne gostima u hotelima, motelima i drugim smještajnim prostorijama;
 - okruženjima tipa noćenje s doručkom;
 - ugostiteljstvu i sličnim namjenama koja ne spadaju u maloprodaju.

⚠ UPOZORENJE! Svaki električni dio (utikač, naponski kabel, kompresor i td.) mora biti zamijenjen od strane kvalificiranog tehničara ili ovlaštenog servisnog agenta.

⚠ UPOZORENJE! Žarulja koja se koristi u uređaju je “žarulja sa posebnom namjenom” koja se može koristiti samo kao pomoćni dio uređaja.

Ova “žarulja sa posebnom namjenom” ne može se koristiti za sobno osvjetljenje u kućanstvu.¹⁾

- Nemojte koristiti produžne kablove.
- Uvjerite se da utikač nije prignječen ili oštećen na

Sigurnosna upozorenja



stražnjoj strani uređaja. Prignječeni ili oštećeni utikač može dovesti do pregrijavanja i izazvati požar.

- Uvjerite se da možete doći do strujnog utikača uređaja.
- Nemojte vući naponski kabel.
- Ukoliko je utikač slabo povezan, ne ubacujte u utičnicu. Postoji rizik od elektrošoka ili požara.
- Ne smijete rukovati uređajem bez lampe.
- Ovaj uređaj je težak. Voditi računa prilikom pomicanja.
- Ne uklanjajte i ne dodirujte stvari iz zamrzivača ukoliko su vam ruke vlažne/mokre, jer može doći do oštećenja na koži ili ozeblina.
- Izbjegavajte dugo izlaganje uređaja dnevnoj svjetlosti.

Svakodnevna uporaba

- Ne stavljajte ništa vruće na plastične dijelove u uređaju.
- Ne stavljajte prehrambene proizvode direktno uz stražnju stijenku.

1)Ukoliko ima osvjetljenja u odjeljku uređaja.

Sigurnosna upozorenja



Jednom odmrznuta hrana ne smije se ponovo zamrzavati.¹⁾

Otpremite hranu za pakiranje prema uputama proizvođača za otpremanje hrane za zamrzavanje.¹⁾

- Preporuke proizvođača za čuvanje hrane u uređaju moraju se strogo poštovati. Pogledajte relevantne upute.
- Nemojte stavljati gazirana pića u odjeljak za zamrzavanje, jer dolazi do stvaranja potiska unutar ambalaže, što može dovesti do eksplozije i oštećenja na uređaju.¹⁾
- Kocke leda mogu da dovedu do ozeblina ukoliko se koriste odmah po vađenju iz uređaja.¹⁾
- Da biste izbegli kontaminaciju hrane, obratite pažnju na sledeće instrukcije
- Otvaranje vrata na duži period može uzročiti značajan porast temperature u pregradama uređaja.
- Redovito čistite površine koje mogu stupiti u kontakt sa hranom i dostupnim sustavima odvoda.

¹⁾ Ukoliko ima osvetljenja u odjeljku uređaja.

⚠ Sigurnosna upozorenja



- Očistite spremnik za vodu ako ne se koristi 48 sata; isperite sustav za vodu povezan sa vodosnabdijevanjem ako voda nije oticala 5 dana.
- U hladnjaku čuvajte sirovo meso i ribu u odgovarajućim posudama, tako da ne dođe u kontakt sa drugom hranom ili da ne kaplje na drugu hranu.
- Odjeljci sa dve zvijezde (ukoliko ih ima u uređaju) pogodni su za čuvanje prethodno zamrznute hrane, čuvanje ili pravljenje sladoleda ili ledenih kocki.
- Odjeljci sa jednom, dvije ili tri zvijezde (ukoliko ih ima u uređaju) nisu pogodni za zamrzavanje svježih hrane.
- Ukoliko je aparat za hlađenje ostavljen prazan na duži period, isključite ga, odmrznite, očistite, osušite i ostavite vrata otvorena da spriječite razvoj plijesni u uređaju.

Održavanje i čišćenje

- Prije održavanja, isključite uređaj i izvadite utikač iz zidne utičnice.
- Nemojte čistiti uređaj metalnim predmetima.
- Nemojte koristiti oštre predmete za uklanjanje mraza u uređaju. Koristite plastičnu grebalicu.¹⁾

1) Ukoliko postoji odjeljak zamrzivača.

⚠ Sigurnosna upozorenja



- Redovito provjeravajte odvod zamrznute vode u hladnjaku. Po potrebi, očistite odvod.

Ukoliko je odvod blokiran, voda će se sakupljati na dnu uređaja.²⁾

Postavljanje

Važno! Kod električnog povezivanja pažljivo pratite date instrukcije u određenim odjeljcima.

- Raspakirajte uređaj i provjerite da na njemu nema oštećenja. Nemojte povezivati uređaj ukoliko je oštećen. Prijavite moguća oštećenja odmah trgovini u kojoj ste kupili uređaj. U tom slučaju sačuvajte ambalažni materijal.
- Preporučuje se da sačekate najmanje 4 sata prije povezivanja uređaja kako bi se ulje u kompresoru rasporedilo pravilno.
- Obezbediti adekvatan protok zraka oko uređaja, kako ne bi došlo do pregrijavanja. Da biste obezbjedili dovoljno zraka, pratite relevantne upute za postavljanje.
- Izbjegavati da štitnici uređaja dodiruju stijenku ili tople dijelove (kompresor, kondenzator) kako biste spriječili moguće gorenje uređaja
- Uređaj ne smije biti postavljen u blizini radijatora ni štednjaka.

2)Ukoliko postoji odjeljak za čuvanje svježe hrane.

Sigurnosna upozorenja



- Uvjerite se da je utičnica dostupna nakon postavljanja uređaja.

Servisiranje

- Svaka električna intervencija koja zahtijeva servisiranje uređaja mora biti obavljena od strane kvalificiranog električara ili kompetentne osobe.
- Ovaj proizvod mora biti servisiran od strane ovlaštenog servisnog centra, i mogu se koristiti samo originalni rezervni dijelovi.



Savjeti za uštedu energije

- Nemojte stavljati toplu hranu u uređaj;
- Nemojte držati spakiranu hranu blizu jednu drugoj jer to spriječava cirkuliranje zraka;
- Uvjerite se da hrana ne dodiruje zidove odjeljaka;
- Ukoliko dođe do nestanka struje, nemojte otvarati vrata;
- Nemojte često otvarati vrata;
- Nemojte držati vrata dugo otvorena;
- Nemojte podešavati termostat na suviše niske temperature;
- Pojedine dijelove, kao što su ladice, treba držati zbog manje potrošnje električne energije.

Sigurnosna upozorenja



Zaštita životne sredine

 Ovaj uređaj ne sadrži plinove koji mogu oštetiti ozonski omotač, kao ni rashladno kolo ni izolacioni materijal. Uređaj ne treba odstraniti zajedno sa gradskim otpadom. Izolacijska pjena sadrži zapaljive plinove: ovaj uređaj treba odložiti u skladu sa zakonskom regulativom za otklanjanje uređaja dobijenom od lokalnih vlasti. Izbjegavajte oštećenja rashladnog dijela, osobito toplotnog grijača. Materijali korišteni na ovom uređaju koji su označeni simbolom  mogu se reciklirati.



Simbol na proizvodu ili njegovoj ambalaži označava da se s tim proizvodom ne smije postupati kao s kućnim otpadom. Umjesto toga, proizvod treba biti uklonjen od strane odgovarajućeg centra za reciklažu elektroničke i električne opreme. Ispravnim uklanjanjem ovog proizvoda, sprječavate potencijalne negativne posljedice na okoliš i zdravlje ljudi, koji bi inače mogli biti ugroženi neodgovarajućim rukovanjem otpadom ovog proizvoda. Za detaljnije informacije o recikliranju ovog uređaja, molimo kontaktirajte odgovarajući lokalni ured, ured za zbrinjavanje kućnog otpada ili trgovinu gdje ste kupili uređaj.

Sigurnosna upozorenja



Materijali za ambalažu

Materijali sa simbolom mogu se reciklirati. Odložite materijal za pakiranje u adekvatne kontejnere za reciklažu.

Odlaganje uređaja

1. Odspojite glavni utikač iz utičnice.
2. Isijecite naponski kabel i odložite ga.



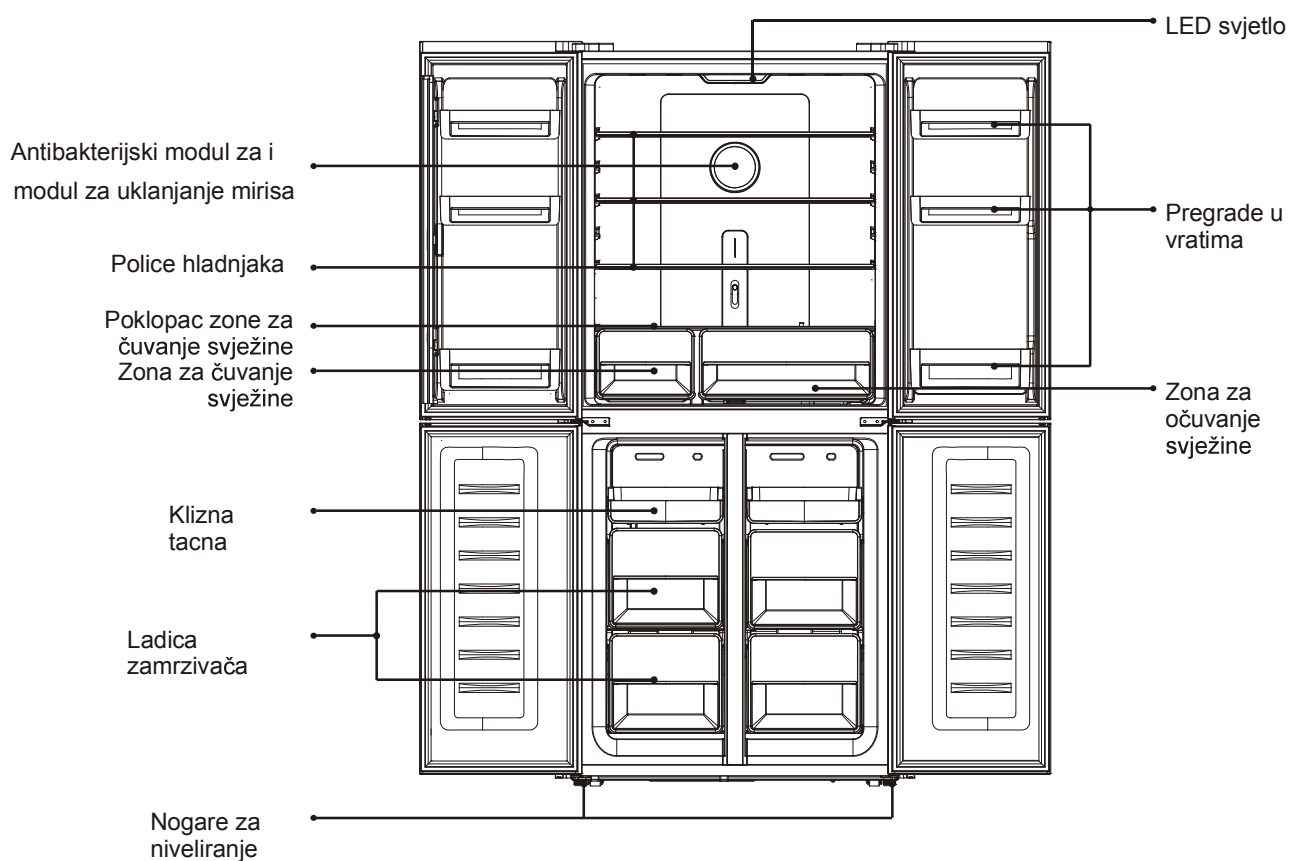
UPOZORENJE!

Tijekom uporabe, servisiranja i odlaganja uređaja, obratite pažnju na simbol sličan onome na lijevoj strani, koji se nalazi na stražnjoj strani uređaja (stražnja ploča ili kompresor) žute ili narandžaste boje.

To je simbol koji označava rizik od požara. U rashladnim cijevima i kompresoru nalaze se zapaljivi materijali.

Molimo da uređaj udaljite od izvora vatre tijekom uporabe, servisiranja i odlaganja.

Opći izgled uređaja

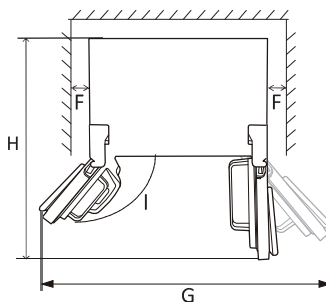
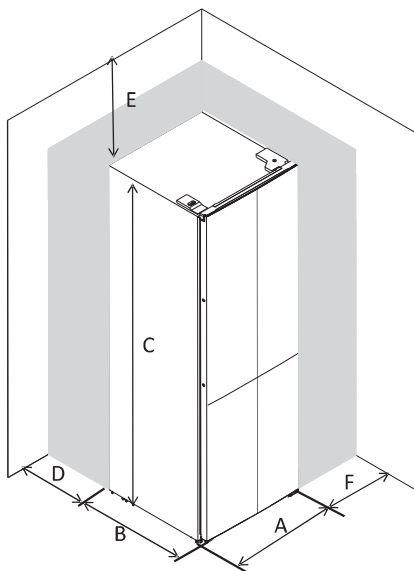


Slika iznad je samo za informaciju o dijelovima uređaja. Stvarni izgled uređaja može biti drugačiji.

Instalacija

Prostorni zahtjevi

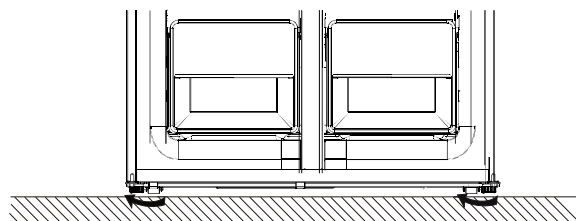
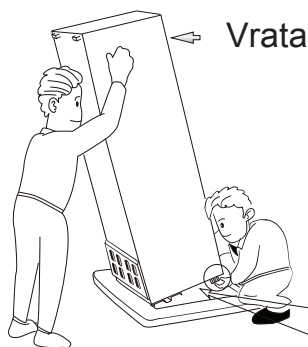
- Ostavite dovoljno prostora za otvaranje vrata.



	FD458IXE	FD458BLE
A	795	795
B	700	692
C	1800	1800
D	min=50	min=50
E	min=50	min=50
F	min=50	min=50
G	1580	1580
H	1490	1490
I	135°	135°

Niveliranje uređaja

Da biste to učinili podesite dvije nogare za niveliranje na prednjoj strani uređaja



- Izravnavanje i sidrenje hladnjaka podešavanjem nogara.
- Rotirajte nogare u smjeru kazaljke na satu da biste ih ručno podigli.
- Rotirajte u smjeru kretanja kazaljke na satu da biste ih ručno spustili.

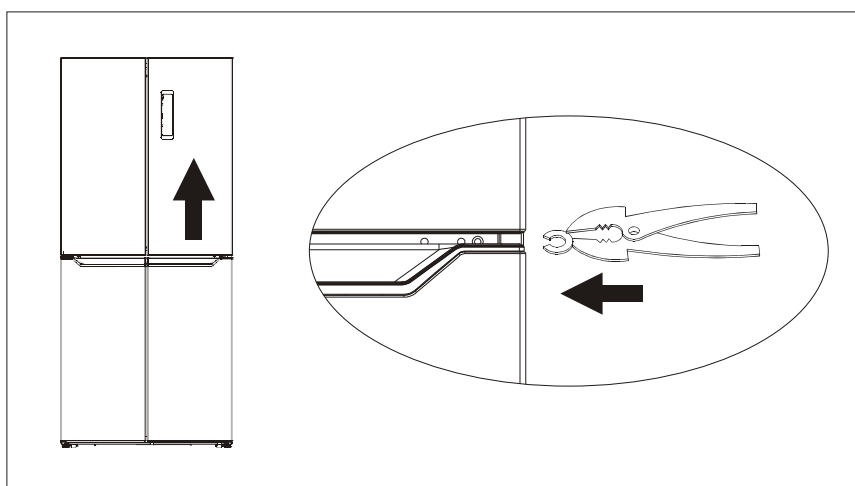
Niveliranje vrata


Nakon transporta ili nakon što se police vrata napune hranom ili pićem, gornja dvoja vrata možda neće biti poravnana. Postoje 3 podloške tipa C koje se koriste za podešavanje vrata. Slijedite donji postupak za izravnavanje vrata.




1. Prije provjere poravnavanja vrata, pobrinite se da aparat stoji ravno.
2. Ako gornja dvoja vrata ne izgledaju poravnana, lagano podignite donja vrata i umetnite komade podloške C tipa pomoću klipa između dna vrata i srednje šarke.

Instalacija

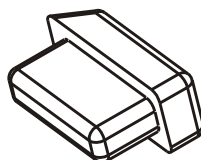


 **Upozorenje!** Pazite da prsti ne zakače vrata. Molimo koristite alat.

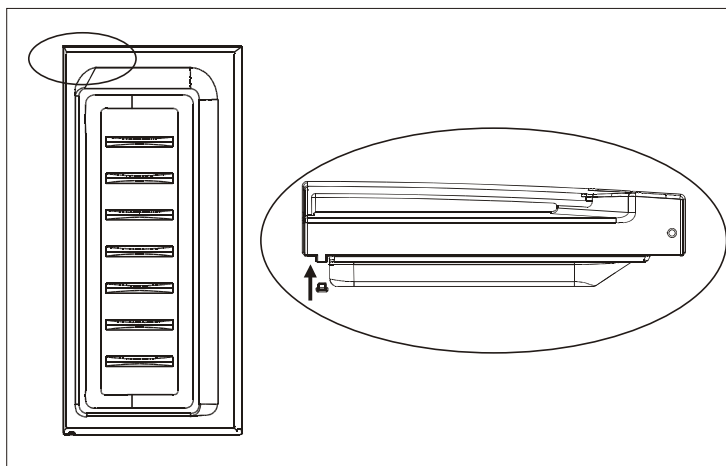
 **Upozorenje!** Molimo držite podloške tipa C daleko od djece da ih djeca ne bi progutala. To su mali dijelovi.

Gumeni štitnici

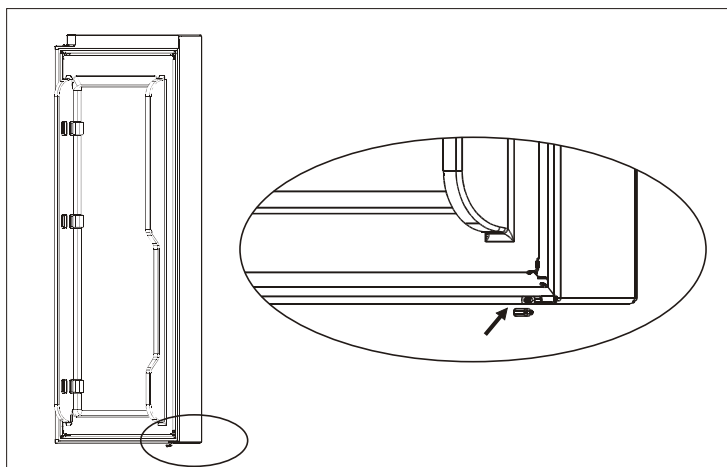
Na svakim vratima nalazi se po jedan gumeni štitić. Funkcioniraju kao opruga za ublažavanje udara kada se vrata zatvore.



Molimo vas da ne izvlačite gumene štitiće. Ako ispadnu sa vrata, uzmite jednu iz vrećice s dodacima i umetnite je u rupu vrata.



Instalacija



Upozorenje! Molimo držite gumene štitnike daleko od djece da ih djeca ne bi progutala.
To su mali dijelovi.

Postavljanje

Postavite ovaj uređaj na mjestu gdje temperatura okoline odgovara klimatskoj klasi naznačenoj na natpisnoj pločici uređaja:

Za rashladne uređaje s klimatskom klasom:

- Povećano umjerena: „ovaj rashladni uređaj predviđen je za uporabu na sobnoj temperaturi opsega od 10 ° C do 32 ° C (SN);
- Umjerena: „ovaj rashladni uređaj predviđen je za uporabu na sobnoj temperaturi opsega od 16 ° C do 32 ° C (N);
- Subtropska: „ovaj rashladni uređaj predviđen je za uporabu na sobnoj temperaturi opsega od 16 ° C do 38 ° C (ST);
- Tropska: „Ovaj rashladni uređaj predviđen je za uporabu na sobnoj temperaturi od 16 ° C do 43 ° C (T);

Mjesto postavljanja uređaja

Uređaj treba da bude postavljen udaljen od izvora toplote kao što su radijatori, bojleri, izravna sunčeva svjetlost itd. Uvjerite se da zrak može slobodno cirkulirati oko stražnjeg dijela zamrzivača. Da se osigurate da će uređaj funkcionirati sa najboljim performansama, ukoliko je uređaj postavljen ispod visećih dijelova na zidu, minimalna udaljenost između poklopca uređaja i elementa montiranog na zid mora biti najmanje 100mm. Ipak, najidealnije je da se uređaj ne postavlja ispod montiranih dijelova na zidu. Niveliranje uređaja moguće je pomoću jedne ili više nogara na postolju uređaja.



POZOR! Neophodno je omogućiti isključivanje uređaja iz glavnog utikača; stoga utičnica mora biti dostupna nakon instalacije.

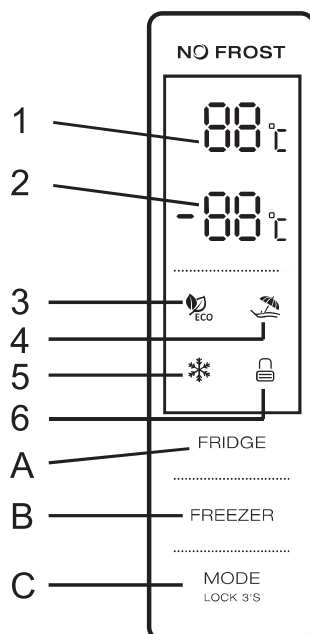
Električno povezivanje

Prije uključivanja uverite se da napon prikazan u tabeli odgovara naponu mreže vašeg kućanstva. Utičnica u koju uključujete uređaj mora imati uzemljenje. Mrežni kabel električnom energijom opremljen je kontaktima u tu svrhu. Ukoliko utičnica nije uzemljena, u skladu sa osnovnim propisima, konsultujte kvalificiranog električara.

Proizvođač nije odgovoran ukoliko se ne preduzmu mjere opreza.
Ovaj uređaj je u skladu sa direktivama EEC.

Svakodnevna uporaba

Uporaba kontrolne ploče



1.1 UPORABA TASTERA

- A. Kontrola temperature hladnjaka
- B. Kontrola temperature zamrzivača
- C. Način rada / zaključavanje / otključavanje

1.2 LED ZASLON

- 1. Temperatura hladnjaka
- 2. Temperatura zamrzivača
- 3. ECO način rada
- 4. Način rada za vrijeme Odmora
- 5. Super način rada
- 6. Zaključavanje / Otključavanje

2.0 UVJETI RADA

a. Kontrolna ploča je 100% osvijetljena tijekom 3 sekunde i radi točno u skladu sa podešavanjem (način i temperatura) prije uključivanja. Sustav će se automatski zaključati 25 sekundi nakon posljednjeg pritiska tastera. Nakon zaključavanja, svjetlo na ploči će se ugasi 120 sekundi nakon posljednjeg pritiska tastera.

b. Prikazaće se obje unaprijed postavljene temperature i za hladnjak i za zamrzivač na zaslonu.

2.1 ZASLON

- 2.1.1 Ploča će biti osvijetljena 2 minute nakon što se otvore vrata hladnjaka ili zamrzivača. (prepoznaje se po jedan signal za vrata)

Svakodnevna uporaba

2.1.2 Ploča će biti osvijetljena bilo kojom operacijom tastera, dok će se svjetlo isključiti 2 minute nakon posljednjeg pritiska tastera.

2.1.3 Prikaz tijekom normalnog rada

Prikaz temperature u odjeljku hladnjaka: Prikazivanje temperature trenutne postavke.

Prikaz temperature u odjeljku zamrzivača: Prikazivanje temperature trenutne postavke.

3.0 PRIKAZ TASTERA

3.1 Kontrola temperature odjeljka hladnjaka

a. Kontrola temperature hladnjaka:

Ovaj taster funkcionira kako u korisnički definisanom načinu, tako i u super načinu. Nakon ulaska u kontrolu temperature u odjeljku hladnjaka, ovaj taster treperi. Uzastopnim dodirivanjem tastera temperatura se mijenja u opsegu od „2 °C, 3 °C, 4 °C, 5 °C, 6 °C, 7 °C, 8 °C, OFF“, nakon čega treperenje od 5 sekundi znači da je izabrana temperatura postavljena.

b. Isključivanje hladnjaka:

Pritisnite taster „Kontrola temperature odjeljka hladnjaka“, odaberite „ISKLJUČENO“, taster treperi 5 sekundi što znači da je izvršen izbor temperature, odnosno hladnjak će zaustaviti hlađenje.

3.2 Kontrola temperature zamrzivača

Kontrola temperature zamrzivača: Ovaj taster funkcionira kako u korisnički definiranom načinu, tako i u načinu odmora. Nakon ulaska u kontrolu temperature zamrzivača, taster treperi. Uzastopnim dodirivanjem tastera, temperatura se mijenja u opsegu od -1 °C do -22 °C, nakon čega treperenje od 5 sekundi označava da je izbor temperature završen.

3.3 Način rada/ Zaključavanje / Otključavanje

a. Pritiskom na ovaj taster, način rada hladnjaka će se promijeniti u opsegu „ECO način - način Odmor - Super način - Korisnički definirani način. Treptanje od 5 sekundi znači da je izbor temperature završen.

b. Pritisnite i zadržite da biste ušli / izašli iz načina zaključavanja

· Otključavanje: Pritisnite 3 sekunde u načinu zaključavanja, svi tasteri će se otključati nakon zvučnog signala.

· Zaključavanje: Pritisnite 3 sekunde u načinu otključavanja, svi tasteri će biti zaključani nakon zvučnog signala.

3.4 Pritisak tastera

Kratak zvučni signal nakon pritiska tastera

Svi tasteri rade samo u načinu otključavanja.

3.5 Funkcija zaključavanja

Ako za 25 sekundi ne dođe do rada, zaslon će se automatski zaključati.

Svakodnevna uporaba

4.0 ECO način rada

Pritisnite taster način da biste odabrali ECO način, ikona ECO ostaje da svijetli nakon 5 sekundi treptanja. 5 °C u odjeljku hladnjaka i -18 °C u odjeljku zamrzivača u eko načinu, taster „Zamrzivač i Hladnjak“ nije dostupan, pritisak na njega uzrokuje treperenje tastera eko tri puta kao alarm. Izađite iz eko načina rada.

Ponovno pritisnite način da biste izašli iz eko načina nakon 5 sekundi, ulazeći u drugi odabrani način.

4.1 Način rada tijekom Odmora

Pritisnite način da biste odabrali način za odmor, ikona ostaje da svijetli nakon 5 sekundi treptanja, prelazeći u način za odmor.

Fiksna temperatura 17 °C u odjeljku hladnjaka, taster „hladnjak“ nije distupan, dok će ikona Odmor trepnuti tri puta kao alarm.

Izađite iz načina odmora: odaberite drugi način, izađite iz načina odmora nakon 5 sekundi, ulazeći u drugi odabrani način.

4.2 Način Super zamrzavanja

Odaberite način rada, ikona ostaje da svijetli nakon 5 sekundi treptanja, prelazeći u način zamrzavanja.

Način zamrzavanja:

Temperatura nije podesiva u odjeljku zamrzivača, taster za zamrzavanje ne radi, dok će ikona zamrzavanja tri puta treptati kao alarm.

Izađite iz načina zamrzavanja: ispunjavanje uvjeta ispod.

- ručno izađite iz načina zamrzavanja
- vrijeme razmrzavanja duže od 50 sati

Način ostaje isti koji je bio prije ulaska u način super zamrzavanja.

Svakodnevna uporaba

Prva uporaba

Čišćenje unutarnjosti

Prije prve uporabe uređaja isperite unutarnjost i unutarnje dijelove mlakom vodom i neutralnim sapunom kako bi otklonili blago neprijatan vonj karakterističan kod novog uređaja, zatim temeljno osušiti.

Važna napomena! Nemojte koristiti abrazivna sredstva ili deterđente, jer će to oštetiti finu obradu uređaja.




Svakodnevna uporaba

Postavite različitu vrstu hrane prema tabeli ispod:

Pregrade hladnjaka	Vrsta hrane
Vrata ili podesive pregrade u vratima	Hrana sa prirodnim konzervansima, kao što su džemovi, sokovi, pića i začini. Ne stavljajte kvarljivu hranu.
Ladica za salatu	Voće, bilje i povrće treba stavljati odvojeno. Nemojte stavljati banane, luk, krumpir i češnjak u hladnjak.
Polica- u sredini	Mliječni proizvodi, jaja.
Polica-na vrhu	Hrana koju ne treba kuhati, kao što su gotova jela, mesni proizvodi, ostaci hrane.
Ladice/ police u zamrzivaču	Hrana za dugotrajnu pohranu. Sirovo meso, živina, riba u donjoj polici/ladici. Smrznuto povrće, pomfrit u srednjoj polici/ladici. Sladoled, smrznuto voće, smrznuta peciva nu gornjoj polici/ladici.

Svakodnevna uporaba

Preporuke za postavljanje temperature

Preporuke za postavljanje temperature	
Temperatura prostorije	Podešavanje temperature
Ljeto (iznad 38°C)	<div style="display: flex; align-items: center;">  <div style="margin-left: 20px;"> <p>Postaviti hladnjak na 4°C</p> <p>Postaviti zamrzivač na -18°C</p> </div> </div>
Normalna	<div style="display: flex; align-items: center;">  <div style="margin-left: 20px;"> <p>Postaviti hladnjak na 4°C</p> <p>Postaviti zamrzivač na -18°C</p> </div> </div>
Zima (ispod 16°C)	<div style="display: flex; align-items: center;">  <div style="margin-left: 20px;"> <p>Postaviti hladnjak na 4°C</p> <p>Postaviti zamrzivač na -18°C</p> </div> </div>

- Informacije iznad su preporučene postavke temperature.

Utjecaj na skladištenje hrane

Prema preporučenim postavkama, najbolje vrijeme skladištenja hladnjaka nije duže od 3 dana.

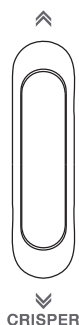
Prema preporučenim postavkama, najbolje vrijeme skladištenja zamrzivača nije duže od 1 mjeseca.

Najbolje vrijeme pohrane može se smanjiti u drugim postavkama.

Svakodnevna uporaba

Kontrola temperature odjeljka za čuvanje svježine

- Temperatura svježe zone može se prilagoditi prema vrsti skladištenja hrane.
- Gurnite prekidač prema gore odozdo, temperatura u svježoj zoni će se stupnjevito smanjivati.
- Kada je prekidač postavljen u položaj „CRISPER“, zona svježine može funkcionirati kao oštrija zona i održavati odgovarajuću temperaturu i vlažnost za voće i povrće.
- Kada je prekidač postavljen u gornji položaj, pogodno je za kratkotrajno skladištenje ribe ili druge svježe hrane. Hrana će biti svježija, ali ne i smrznuta, što je čini najboljim odabirom za čuvanje svježe hrane.
- Savjeti: Kada je prekidač postavljen u gornji položaj, preporučuje se da se temperatura hladnjaka postavi na ispod 4 ° C i sačuvano vrijeme rada ne više od 3 dana, kako bi se održala najbolja svježina.



Podešavanje vlažnosti za zonu čuvanja voća i povrća

- Kada je prekidač postavljen u položaj „HIGH“, vlažnost je veća, što je pogodno za povrće.
- Kada je prekidač postavljen u položaj „LOW“, vlažnost je niža, što je pogodno za voće.



Zamrzavanje svježe hrane

- Zamrzivač je pogodan za zamrzavanje svježe hrane i skladištenje zamrznute i duboko zamrznute hrane na duži vremenski period.
- Stavite svježnu hranu u odjeljak na dnu uređaja.
- Maksimalna količina hrane koja može biti zamrznuta u roku od 24 časa izložena je u tabeli.
- Proces zamrzavanja traje 24 časa: tijekom ovog perioda nemojte dodavati drugu hranu da se zamrzne.

Skladištenje zamrznute hrane

Kada prvi put uključujete uređaj ili nakon perioda nekorištenja uređaja, prije stavljanja hrane u zamrzivač pustite da uređaj radi najmanje dva sata na maksimalnoj temperaturi.

Važna napomena! U slučaju neplaniranog odmrzavanja, na primjer ukoliko duže nije bilo struje od vrejdnosti prikazanih u tehničkim karakteristikama pod stavkom "vrijeme odmrzavanja", odmrznuta hrana mora biti konzumirana u kratkom vremenskom roku ili odmah skuhana i tek nakon kuhanja ponovo zamrznuta.

Otanjanje

Duboko zamrznuta ili zamrznuta hrana prije uporabe treba da se otopi u hladnjaku ili na sobnoj temperaturi, ovisno od raspoloživog vremena za ovaj proces. Mali dijelovi mogu se kuhati iako su još zamrznuti, direktno iz zamrzivača. U tom slučaju, kuhanje će trajati duže.

Kocke leda

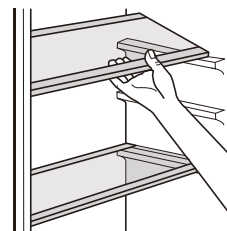
Ovaj uređaj može biti opremljen sa jednom ili više posuda za pravljenje kockica leda.

Svakodnevna uporaba

Dodatna oprema

Police koje se mogu pomicati

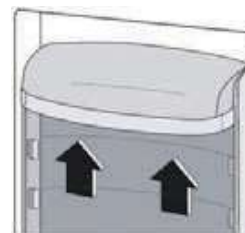
Zidovi uređaja imaju veliki broj klizača tako da se police mogu postavljati po želji korisnika.



Postavljanje pregrada u vratima uređaja

Kako bi omogućili smještanje pakovanja hrane raznih veličina, pregrade na vratima se mogu postavljati na različitim visinama.

Da bi ih podesili postepeno povlačite pregradu u smjeru označenom strelicama sve dok se ne oslobodi, a zatim je premjestite na željenu visinu.



Korisni savjeti

Da bismo vam pomogli u većini slučajeva zamrzavanja namirnica, evo nekoliko važnih savjeta:

* maksimalna količina hrane koja može biti zamrznuta u roku od 24 časa izložena je u tabeli.

- proces zamrzavanja traje 24 časa: tijekom ovog perioda nemojte dodavati drugu hranu da se zamrzne
- zamrzavati samo vrhunski kvalitetnu, svežu i temeljno očišćenu hranu;
- otpremajte hranu u malim porcijama kako bi omogućili brzo i potpuno zamrzavanje, i tako omogućite naknadno odmrzavanje samo potrebne količine;
- uvijte hranu u aluminijumsku ili polietilensku foliju i uvjerite se da su pakovanja hermetički zatvorena;
- ne dozvolite da sveža nezamrznuta hrana dolazi u dodir sa već zamrznutom hranom, kako bi izbjegli porast temperature ranije zamrznute hrane;
- Nemasna hrana bolje i dulje se čuva od masne hrane; so smanjuje dužinu čuvanja hrane;
- Komadi leda ukoliko se konzumiraju odmah nakon vađenja iz zamrzivača, mogu izazvati oštećenja na koži;
- preporučljivo je da se na svakom pojedinačnom pakovanju označi datum zamrzavanja i omogući vam da partite vrijeme skladištenja.

Savjeti za otpremanje zamrznute hrane

Da biste postigli najbolje performanse ovog uređaja, trebalo bi da:

- se uvjerite da je komercijalna zamrznuta hrana adekvatno spakirana od strane prodavca;
- budete sigurni da je zamrznuta hrana premještena iz prodavnice do zamrzivača u što kraćem vremenskom roku;
- ne otvarate često vrata ili ih ostavljate otvorena duže nego što je neophodno.
- jednom odmrznuta, hrana se kvari i ne može se ponovo zamrzavati.
- ne dozvolite da istekne vrijeme dozvoljeno za držanje hrane u zamrzivaču od strane proizvođača hrane.

Savjeti za otpremanje svježe hrane u hladnjak

Da biste postigli najbolje performanse:

- Nemojte odlagati toplu hranu ili tečnosti koje isparavaju u hladnjak
- Poklopite ili umotajte hranu ukoliko ima jaki miris
- Umotajte u kese za zamrzavanje hrane i odložite na staklene police iznad odjeljka za čuvanje povrća i voća.
- Radi sigurnosti, na ovaj način odložite hranu najduže dan-dva.
- Kuhana hrana, hladna jela, i td...treba da se poklopi i može se držati na bilo kojoj polici.
- Voće i povrće: pažljivo očistiti i odložiti u za to namijenjenu ladicu.
- Maslac i sir: čuvati u za to namenjenu kutiju ili umotati u aluminijumsku foliju ili kesu za zamrzavanje kako bi se što više sačuvali.
- Boce sa mlijekom: moraju imati zatvarač i treba ih držati u pregradama u vratima hladnjaka.
- Banane, krumpir, crni luk i češnjak, ukoliko nisu upakirani, ne smiju se držati u hladnjaku.

Svakodnevna uporaba

Čišćenje

Iz higijenskih razloga unutarnjost uređaja, uključujući unutarnje sustavne dijelove moraju se redovito čistiti.



Pozor! Uređaj ne smije biti uključen u struju prilikom čišćenja. Postoji opasnost od elektrošoka! Prije čišćenja isključite uređaj i uklonite utikač iz utičnice. Nikada nemojte čistiti uređaj paročistačem. Vлага se može zadržati na električnim dijelovima, opasnost od elektrošoka! Vrela para može dovesti do oštećenja plastičnih dijelova. Uređaj mora biti suv prije nego što se ponovo pusti u rad.

Važno! Eterična ulja i organska otapala mogu reagirati s plastičnim dijelovima, na primjer limunov sok ili sok od naranče, buterna kiselina, sredstva za čišćenje koja sadrže ocatnu kiselinu

- Nemojte dozvoliti da takve tvari dođu u kontakt sa dijelovima uređaja.
- Nemojte koristiti nikakva abrazivna sredstva.
- Odstranite hranu iz zamrzivača. Čuvajte je na hladnom mjestu, dobro pokrivenu.
- Isključite uređaj i izvadite utikač iz utičnice ili isključite uređaj ili prekidač na osiguraču.
- Očistite uređaj i unutarnje dijelove krpom i mlakom vodom. Nakon čišćenja obrišite čistom vodom i dobro osušite.
- Taloženje prašine na kondenzatoru povećava potrošnju električne energije. Iz ovog razloga pažljivo očistite kondenzator na poleđini uređaja mekom četkom ili vakuumskim čistačem jednom godišnje.¹⁾
- Nakon što je sve osušeno ponovo pustite uređaj u rad.

Opis odmrzavanja (No Frost)

To je hladnjak-zamrzivač bez potpunog smrzavanja koji će se automatski odmrzavati.

Svakodnevna uporaba

Rješavanje problema



Pozor! Prije rješavanja problema, isključite mrežni kabel. Samo kvalificirani električar može otkloniti kvar koji nije naveden u ovoj uputi.

Važno! Prilikom normalne uporabe prisutni su određeni šumovi (kompresor, cirkulacija rashladnog sredstva).

Problem	Mogući uzrok	Rješenje
Uređaj ne radi.	Glavni utikač nije uključen ili je oslabio.	Priključite glavni utikač.
	Osigurač je pregorio ili je u kvaru.	Provjerite osigurač, zamijenite ukoliko je potrebno.
	Utičnica je neispravna.	Neispravne utičnice mora zamijeniti električar.
Uređaj previše hladi ili zamrzava.	Temperatura je postavljena da previše hladi ili je uređaj u SUPER načinu.	Podesite regulator na toplije postavke.
Hrana nije dovoljna smrznuta.	Temperatura nije dobro postavljena.	Pogledajte odjeljak Postavke temperature.
	Vrata su otvorena duže vreme.	Držite otvorena vrata samo koliko je neophodno.
	Velika količina tople hrane stavljena je u uređaj tijekom prethodna 24 sata.	Postavite regulator na hladnije postavke.
	Uređaj je u blizini izvora topline.	Pogledajte odjeljak Mjesto postavljanja.
Mraz na brtvi na vratima.	Brtva nije čvrsto postavljena.	Pažljivo zagrijte dio na vratima koji je zaleđen pomoću sušila (na hladnoj postavci). Istovremeno namjestite brtvu rukom da bude pravilno postavljena.
Netipična buka.	Uređaj nije nivelisan.	Podesite nogare.
	Uređaj dodiruje zid ili druge predmete.	Pomjerite lagano uređaj.
	Sastavni dio, na pr. cijev, sa stražnje strane uređaja dodiruje zid ili drugi dio uređaja.	Ukoliko je potrebno, pažljivo sklonite taj dio.
Voda na podu.	Crijevo za odvod vode je blokirano.	Pogledajte odjeljak Čišćenje i njega.

Ukoliko se kvar ponovno javi, kontaktirajte Servisni centar.

Ovi podaci će vam pomoći da ispravno i brzo otklonite kvar. Upišite neophodne podatke ovde, uporedite ih sa podacima na natpisnoj tablici.

TEHNIČKI PODACI

Tehničke informacije nalaze se na natpisnoj pločici s unutarnje strane uređaja i na energetskej naljepnici.

QR kod na energetskej naljepnici isporučenoj s uređajem daje vam web link o informacijama u vezi sa performansama uređaja u EU EPREL bazi podataka. Energetskej naljepnicu čuvajte radi buduće reference zajedno sa uputama za uporabu i svim ostalim dokumentima isporučenim s ovim uređajem.

Također je moguće pronaći iste podatke u EPREL-u putem linka <https://eprel.ec.europa.eu> i naziva modela i broja proizvoda koji se nalazi na natpisnoj pločici uređaja.

Za detaljne informacije o energetskej naljepnici pogledajte link www.theenergylabel.eu

INFORMACIJE O TESTU PERFORMANSI (TEST INSTITUTE)

Za svaku EcoDesign verifikaciju, uređaj mora biti u skladu sa EN 62552. Zahtjevi za ventilacijom, dimenzije udubljenja i minimalni zračni prostor moraju biti onkvi kako su navedeni u ovom korisničkom priručniku.

Za sve daljnje informacije, uključujući planove utovara, obratite se proizvođaču.

SERVIS I BRIGA O KORISNIKU

Uvijek koristite originalne rezervne dijelove.

Kada kontaktirate naš ovlaštenu servisnu centar, osigurajte da imate na raspolaganju sljedeće podatke: model, serijski broj i indeks usluga.

Informacije se mogu naći na natpisnoj pločici. Podložne su promjenama bez obavjesti.

Originalni rezervni dijelovi za neke određene komponente dostupni su najmanje 7 ili 10 godina, ovisno o vrsti komponente, od stavljanja na tržište posljednjeg modela uređaja.

Posjetite našu web stranicu:

www.voxelectronics.com



SLV

Navodila za uporabo

Hladilnik s zamrzovalnikom No frost FD458IXE FD458BLE

Vsebina	
1. Varnostne informacije	stran 1~10
2. Splošni videz naprave	stran 11
3. Namestitvev	stran 12~14
4. Vsakodnevno uporabo	stran 15~23
5. TEHNIČNI PODATKI	stran 24
6. INFORMACIJA ZA INŠTITUTE ZA PREIZKUŠANJE	stran 24
7. PODPORA UPORABNI KOM IN POPRAVILO	stran 24

EAC

Da bi zagotovili varno in pravilno uporabo aparata, pred uporabo pozorno preučita ta navodila, vključno z nasveti in priporočili. Da ne bi prišlo do nesreče oz. napačne uporabe, je pomembno, da so vse osebe, ki uporabljajo aparat seznanjene s temi navodili. Shranite ta navodila, tako da bodo na voljo, v kolikor jih nov uporabnik potrebuje.

Zaradi osebne varnosti in preprečevanja nastanka materialne škode, hranite ta navodila, saj proizvajalec ne odgovarja za škodo nastalo zaradi neupoštevanja navodil.

Varnost otrok in ogroženih kategorij oseb

- Ta aparat lahko uporabljajo otroci starejši od 8 let, oz. osebe z zmanjšanimi telesnimi, zaznavnimi ali umskimi sposobnostmi oz. pomanjkanjem znanja in izkušenj, vendar le pod nadzorom in ob navodilih osebe, ki je odgovorna za njihovo varnost.
- Otroci do osmega leta starosti ne smejo uporabljati aparata.
- Otroke je potrebno nadzorovati, da se ne bi igrali z aparatom.
- Samo otroci starejši od osem let in to izključno pod nadzorom osebe odgovorne za njihovo varnost, lahko opravljajo čiščenje oz. uporabniško vzdrževanje aparata.

- Ves embalažni material držite dlje od otrok. Obstaja nevarnost zadušitve.
- Pri odlaganju odsluženega aparata, izvlecite napajalni kabel iz vtičnice, ga odrežite (na čim krajšo dolžino) ter odstranite vrata aparata, in sicer zato, da se otroci ne bi ujeli v aparat oz. da ne bi prišlo do električnega udara.
- Če ste ta aparat kupili, da bi zamenjali starejši aparat z magnetnim ali mehanskim zapahom, ta zapah oz. ključavnico onesposobite pred odlaganjem aparata. Tako boste preprečili, da aparat postane smrtna past za otroke.

Splošni varnostni napotki

⚠ POZOR: Prezračevalne reže na ohišju naprave oz. na vgrajeni strukturi, ne smejo biti ovirane.

⚠ POZOR: Ne uporabljajte mehanskih pripomočkov za pospeševanje odtajanja, razen tistih, ki jih priporoča proizvajalec.

⚠ POZOR: Pazite, da ne poškodujete tokokrog hladilnega sredstva.

⚠ POZOR: Ne uporabljajte električnih aparatov znotraj oddelkov za hranjenje živil, razen če gre za aparate katerih uporabo priporoča proizvajalec.

⚠ POZOR Žarnice se v primeru da je bila prižgana

dlje časa ne dotikajte, saj se lahko močno segreje.

⚠ POZOR: Pri nameščanju aparata, preverite da napajalni kabel ni zagozden ali poškodovan.

⚠ POZOR: Za aparatom ne nameščajte električnih podaljškov z več vtičnicami ali prenosnih električnih napajanj.

- Ne hranite vnetljivih snovi, npr. pločevink s vnetljivim pogonskim plinom v aparatu.

- Hladilno sredstvo izobutan (R-600a) v tokokrogu aparata, je okolju prijazen naravni plin, vendar je kljub temu vnetljiv.

- Pri prevozu in namestitvi aparata, se prepričajte, da nobena od komponent hladilnega tokokroga ni poškodovana.

- Držite aparat dlje od odprtega ognja in drugih virov vžiga.

- Dobro prezračite prostor v katerem je aparat nameščen.

- Prilagajanje specifikacij oz. kakršnakoli modifikacija aparata je nevarna. Kakršnakoli poškodba napajalnega kabla, lahko povzroči kratek stik, požar in/ali električni udar.

- Ta aparat je namenjen za uporabo v

- gospodinjstvu in podobnih vlogah, npr. v kuhinjah za osebje, pisarnah in drugih poslovnih okoljih,
- kmetijah in hotelih, modelih in drugih nastanitvenih objektih,
 - objektih, ki nudijo nočitev z zajtrkom, podjetjih ki se ukvarjajo z oskrbo s hrano in pijačo
 - in podobnih vlogah, ki niso vezane za maloprodajo.

⚠ POZOR: Kakršnokoli popravilo oz. zamenjavo električnih delov (vtikač, napajalni kabel, kompresor itn.) mora opraviti pooblaščen serviser ali ustrezno usposobljeno osebje.

⚠ POZOR: Žarnica, ki jo dobite skupaj z aparatom je “za posebne namene” tj. Namenjena samo uporabi s to vrsto aparata. Ta žarnica ni primerna za razsvetljavo v gospodinjstvu. ¹⁾

- Napajalnega kabla ne smete podaljševati.
- Preverite, da električni vtič za aparatom. Poškodovan vtič lahko povzroči električni udar oz. požar.
- Prepričajte se, da je vtič tudi po namestitvi zlahka dostopen.
- Ne vlecite napajalnega kabla.
- Vtiča ne priključujte na če el. vtičnica ni pravilno

nameščena. V nasprotnem lahko pride do el. udara oz. požara.

- Aparata brez žarnice ne uporabljajte.
- Aparat je težak. Pri premikanju je potrebno biti izjemno pozoren.
- Živil iz zamrzovalnega oddelka se ne dotikajte z mokrimi rokami, saj lahko pride do omrzlin oz. ran na rokah.
- Aparata ne izpostavljajte direktni sončni svetlobi za daljša časovna obdobja.

Vsakodnevna uporaba

- Ne odlagajte vročih predmetov na plastične površine aparata.
- Živil ne shranjujte tik ob zadnjo steno v notranjosti aparata.

Varnostna navodila

Zamrznjene hrane po odmrzovanju ne smete ponovno zamrzovati.¹⁾

- Vnaprej zamrznjena živila hranite v skladu z navodili proizvajalca.¹⁾
- Priporočila proizvajalca glede hranjenja aparatov je potrebno strogo upoštevati. Preučite pripadajoča navodila.
- Gaziranih pijač ne hranite v zamrzovalnem

1) Če je aparat opremljen z žarnico.

oddelku, saj lahko tlak povzroči eksplozijo, katera lahko poškoduje aparat. ¹⁾

- Sladoled, ledene lučke lahko povzročijo omrzline, če se zaužijejo takoj po jemanju iz zamrzovalnika. ¹⁾
- Da ne bi prišlo do kontaminacije hrane, prosimo upoštevate naslednja navodila:
 - Držanje vrat hladilnika odprtih za daljši čas lahko znatno poveča temperaturo v hladilniku.
 - Redno čistite površine, ki lahko pridejo v stik z živali ter dostopne drenažne kanale.
 - Posode za vodo očistite, če se ne uporabljajo dlje od 48 ur, izperite vodno napeljavo, če voda ni sipana dlje od 5 dni.
 - Surovo meso in ribo hranite v primernih posodah, tako da ne pride v stik z oz. kaplja po drugih živilih.
 - Zamrzovalni oddelki z dvema zvezdicama so primerni za hranjenje vnaprej zamrznjenih živil, za pripravo sladoleda in ledenih kock.
 - Oddelki z eno, dvema, in tremi zvezdicami niso primerni za zamrzovanje svežih živil.
 - Če aparata dlje časa ne nameravate uporabljati, ga izklopite, odtalite, očistite, posušite, in pustite

1) Če aparat ima zamrzovalni oddelek.
2) Če aparat ima hladilni oddelek.

vrata priprta, da v aparatu ne bi nastajala plesen.

Čiščenje in vzdrževanje

- Pred čiščenjem oz. vzdrževanjem, izključite aparat iz električnega napajanja.
- Aparata ne čistite s kovinskimi pripomočki.
- Ne uporabljajte ostrih pripomočkov za odstranjevanje ledenih oblog. Uporabite plastično strgalo.¹
- Redno preverjajte ali je drenažni kanal v aparatu zamašen. Če je to potrebno, ga očistite.

V kolikor je drenažni kanal zamašen, se bon a dnu aparata nabirala voda.²⁾

Namestitev

Pomembno! Pri priključitvi aparata na električno omrežje pozorno sledite navodila iz ustreznega poglavja navodil.

- Odstranite embalažo aparata in preverite ali aparat ni poškodovan. Če opazite poškodbe ne priključujte aparata. Takoj prijavite morebitne poškodbe prodajalcu, v takem primeru pa prav tako hranite embalažo.

1) Če aparat ima zamrzovalni oddelek.

2) Če aparat ima hladilni oddelek.

- Po namestitvi je priporočljivo počakati vsaj nekaj ur, da bi se olje steklo nazaj v kompresor.
- Okoli aparata morate zagotoviti ustrezen prostor za kroženje zraka, v nasprotnem bo prišlo do pregrevanja. Glede zagotovitve ustreznega prezračevanja upoštevajte navodila za namestitev.
- Kjer je le možno, naj zadnja stran aparata gleda na zid, da ne bi prišlo do dotikanja komponent (kompresor, kondenzator) tj. da ne bi prišlo do nevarnosti požara.
- Aparat ne sme biti postavljen v bližino radiatorjev ali štedilnikov.
- Prepričajte se, da električna vtičnica ostane dostopna tudi po namestitvi aparata.

Popravilo

- Kakršenkoli poseg zaradi popravila električnih komponent, sme opraviti samo pooblaščen serviser oz. ustrezno usposobljeno osebje.
- Izdelek sme popravljati samo pooblaščen serviser, z originalnimi rezervnimi deli.

Varčevanje z energijo



- V hladilnik ne vstavljajte vročih živil;
- Živila v hladilnik ne zlagajte drugo tik ob drugem, da ne bi ovirali kroženje zraka;

Varnostne informacije




- Prepričajte se, da se živila ne dotikajo zadnje strani hladilnega oz. zamrzovalnega oddelka.;
- e pride do izpada električne energije, ne odpirajte vrat;
- Ne odpirajte vrat prepogosto;
- Vrat ne držite odprtih dlje časa;
- Ne izbirajte preveč hladne nastavitve temperature na termostatu;
- Za optimalno varčevanje z energijo, vse predale, police itn. postavite na označena mesta.

Zaščita okolja

 Aparat ne vsebuje plinov škodljivih za ozonsko plast, bodisi v izolacijskih materialih, bodisi v hladilnem sredstvu. Aparata ne smete odlagati kot navaden gospodinjski odpad. Izolacijska pena vsebuje vnetljive pline: aparat je potrebno odlagati v skladu s predpisi, o katerih se lahko pozanimate pri krajevnih oblasteh. Pazite da ne poškodujete hladilnega tokokroga, posebej toplotnega izmenjevalca. Surovine v tem izdelku, ki so označene s simbolom  so primerne za recikliranje.

Ta oznaka pomeni, da tega izdelka v EU ne gre odlagati kot navaden gospodinjski odpadek. Da ne

 bi prišlo do onesnaževanja okolja in ogrožanja zdravja ljudi, vas prosimo da odgovorno odlagate to vrsto izdelka in pripomorete ponovni uporabi surovin. Pri odlaganju uporabite reciklažna zbirna mesta, ki so vam na voljo oz. se obrnite na prodajalca, kjer ste izdelek kupili.

Embalažni material


Materiali označeni z ustreznimi simbolom, so primerni za recikliranje.

Embalažo odlagajte v ustrezne kontejnerje za recikliranje.

Odlaganje odpadnega izdelka

1. Izključite napajalni kabel iz električne vtičnice.
2. Odrežite napajalni kabel in ga odvrzite v smeti.

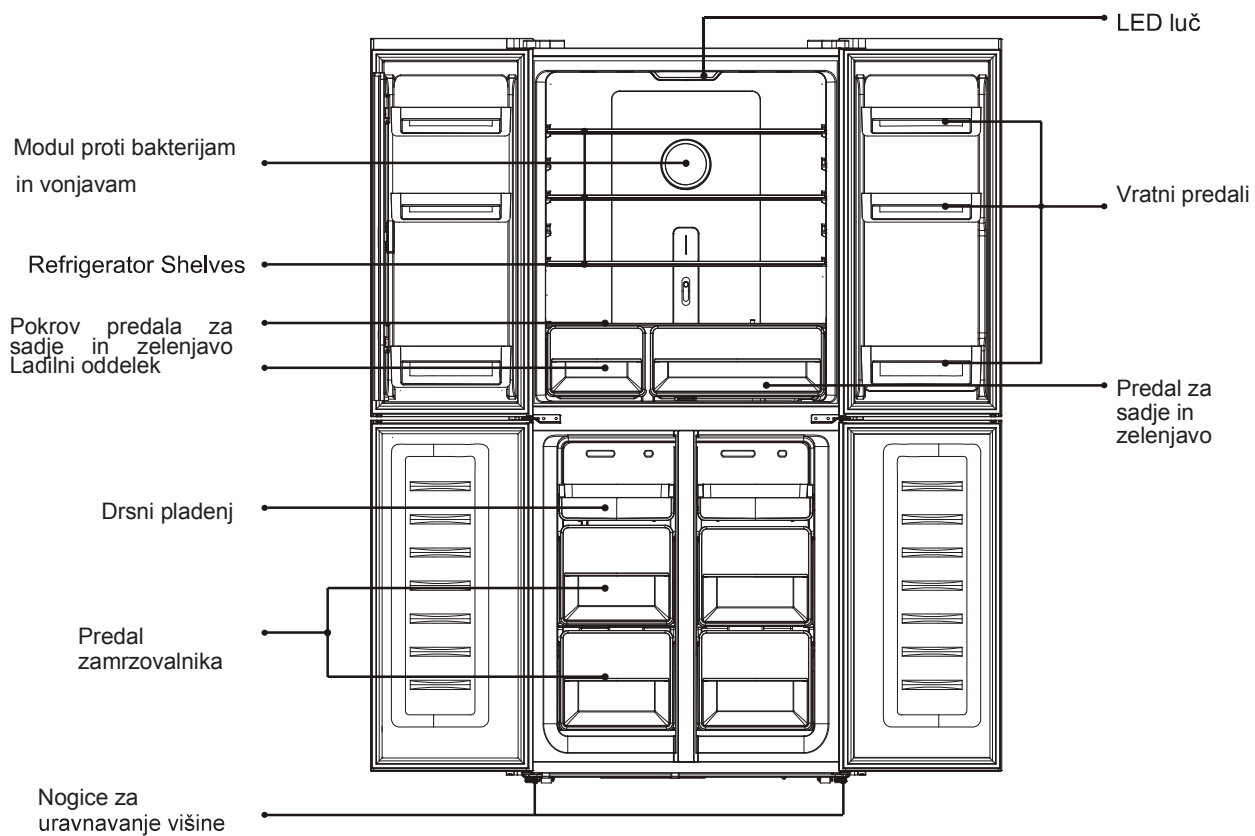


 **POZOR!** Med uporabo, pri popravilu in pri odlaganju odpadne naprave, prosimo bodite pozorni na zgornjo oznako, ki se nahaja na zadnji strani aparata (zadnja plošča oz. kompresor) in je rumene ali oranžne barve.

Gre za simbol požarne nevarnosti. V ceveh hladilnega tokokroga in v kompresorju se nahajajo vnetljive snovi.

Aparat vedno držite dlje od virov odprtega ognja in drugih potencialnih virov vžiga.

Splošni videz naprave

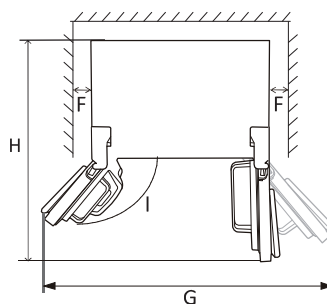
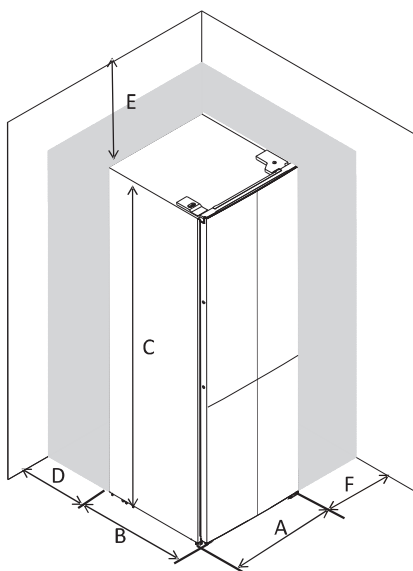


Slika je ilustrativne narave, za podrobnosti prosimo preverite dejanski videz Vašega aparata.

Namestitev

Prostorske zahteve

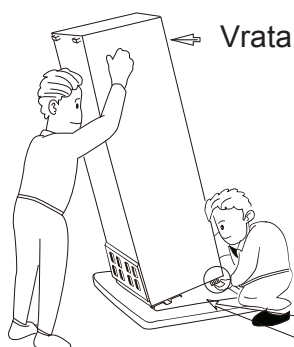
- Zagotovitev dovolj prostora za odpiranje vrat



	FD458IXE	FD458BLE
A	795	795
B	700	692
C	1800	1800
D	min=50	min=50
E	min=50	min=50
F	min=50	min=50
G	1580	1580
H	1490	1490
I	135°	135°

Uravnavanje aparata

Za uravnavanje aparata uporabite nogice s prilagodljivo višino na sprednji strani aparata.



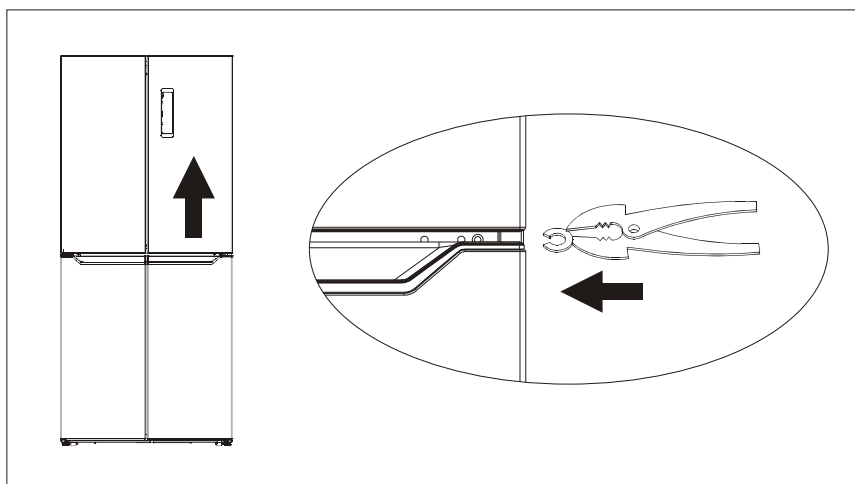
Poravnavanje vrat


Po premikanju aparata ali po nalaganju živil in pijače, se lahko zgodi, da zgornji vrata nista poravnani. Položaj vrat je mogoče uravnati s tremi podložki tipa C. Za poravnavanje vrat, prosimo sledite spodaj navedenim korakom.




1. Pred preverjanjem poravnavanja vrat, prosimo preverite ali aparat stoji vodoravno.
2. Če zgornji vrata nista poravnani, z dodajanjem ali odzemanjem podložkov tipa C med spodnjimi vrati in srednjim tečajem.

Namestitev

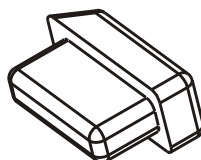


 **Opozorilo!** Prosimo, bodite pozorni, da ne uščipnete prstov med vrati, uporabite orodje.

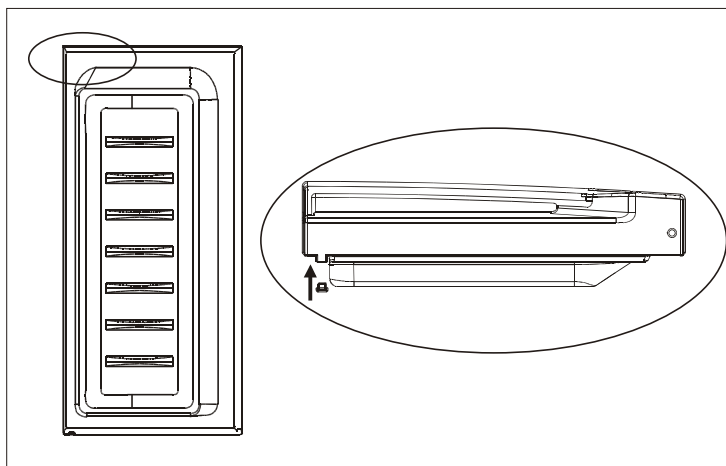
 **Opozorilo!** Prosimo, držite podložke tipa C dlje od otrok, da jih ne bi zaužili. Gre za drobne dele.

Gumijasti odbijači

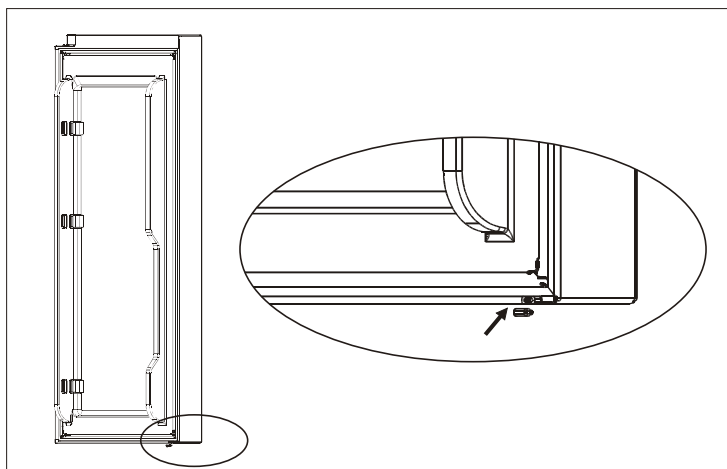
Na vsakih vratih se nahaja po en gumijasti odbijač. Njihova funkcija je ublaževanje udarca pri zapiranju vrat.



Prosimo ne vlecite gumijastih odbijačev. Če niso nameščeni na vratih, jih prosimo vzemite iz vrečke z dodatno opremo in namestite na ustrezno luknjo.



Namestitev



! **Opozorilo!** Prosimo, da držite gumijaste odbijače dlje od otrok, da jih ne bi zaužili. Gre za drobne dele.

Položaj aparata

Postavite aparat na mesto, kjer bo temperatura okolja ustrezala podnebnemu razredu navedenemu na napisni tablici:

Širše zmerno podnebje: 'aparat je namenjen uporabi v temperaturnem obsegu od 10 °C do 32 °C'; (SN)

Zmerno podnebje: 'aparat je namenjen uporabi v temperaturnem obsegu od 16 °C do 32 °C'; (N)

Subtropsko podnebje: 'aparat je namenjen uporabi v temperaturnem obsegu od 16°C do 38 °C'; (ST)

Tropsko podnebje: 'aparat je namenjen uporabi v temperaturnem obsegu od 16 °C do 43 °C'; (T)

Mesto namestitve

Aparat je potrebno postaviti dlje od virov toplote kot so radiatorji, bojlerji, direktna sončna svetloba itn. Prepričajte se, da zrak lahko prosto kroži za aparatom. Za najboljšo učinkovitost obratovanja, v primeru da je aparat postavljen pod omarico, je najmanjša razdalja med vrhom aparata in omarico 50 mm. Najbolje pa je, da nad aparatom ni ničesar. Natančno poravnavanje aparata je mogoče z uporabo ene ali več nogic za uravnavanje na dnu sprednje strani aparata.

Aparat ni namenjen za vgradnjo.

Pozor! V vsakem trenutku morate biti v stanju, da izključite aparat iz električne vtičnice. To pomeni, da vtičnica mora biti zlahka dostopna tudi po namestitvi aparata.

Priključitev na električno napajanje

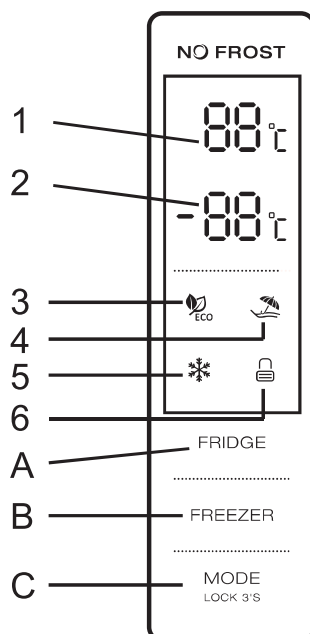
Pred priključitvijo aparata na električno napajanje, se prepričajte, da napetost in frekvenca navedene na napisni tablici aparata ustrezajo tistim na Vaši hišni električni napeljavi. Aparat mora biti ozemljen. Napajalni kabel aparat ima kontakt v ta namen. Če elektrina vtičnica ni ozemljena, pokličite ustrezno usposobljenega električarja da Vam poveže aparat na ločeno ozemljitev, v skladu z veljavnimi predpisi.

Proizvajalec zavrača kakršnokoli odgovornost v primeru neupoštevanja zgornjih varnostnih navodil.

Aparat je skladen z direktivami Evropskega Sveta (EEC).

Vsakodnevna uporaba

Uporaba nadzorne plošče



1.1 GUMBI

- A. Nadzor temperature hladilnega oddelka
- B. Nadzor temperature zamrzovalnega oddelka
- C. Nadzor Načina obratovanja/ Zaklepanje / Odklepanje

1.2 LED ZASLON

- 1. Temperatura hladilnega oddelka
- 2. Temperatura zamrzovalnega oddelka
- 3. EKO Način
- 4. Način Počitnice
- 5. Super Način
- 6. Zaklepanje / Odklepanje

2.0 NADZORNA PLOŠČA

- a. Nadzorna plošča sveti s 100 % svetlosti tri sekunde, po izbiri nastavitve (način obratovanja in temperatura), preden se ugasne. Po 25 sekundah od zadnjega ukaza se samodejno zaklene. Po zaklepanju, se svetlobni prikaz ugasne 120 sekund po zadnjem ukazu.
- b. Tako nastavljena temperatura hladilnega kot zamrzovalnega oddelka so prikazane na zaslonu

2.1 ZASLON

- 2.1.1 Nadzorna plošča bo osvetljena dve minuti od zadnjega odpiranja vrat hladilnega ali zamrzovalnega oddelka (vsaka vrata imajo svoj senzor).

Vsakodnevna uporaba

2.1.2 Panel se zasveti pri pritisku na katerokoli tipko, ugasne pa se po dveh minutah od zadnjega ukaza.

2.1.3 Prikaz na nadzorni plošči pri običajnem obratovanju

Temperatura hladilnega oddelka: Prikaz nastavljene temperature hladilnega oddelka.

Temperatura zamrzovalnega oddelka: Prikaz nastavljene temperature zamrzovalnega oddelka.

3.0 UKAZI

3.1 Nastavitev temperature hladilnega oddelka

a. Nastavitev temperature hladilnega oddelka:

Ta tipka je na voljo tako v Uporabniškem načinu kot v Super načinu. Po nastavitvi temperature hladilnega oddelka, ta tipka začne utripati. Če tipko ponovno pritisnete, lahko izbirate med nastavitvami temperature

“2°C, 3°C, 4°C, 5°C, 6°C, 7°C, 8°C, OFF”. Kadar pustite, da prikaz izbrane temperature utripa 5 sekund, se nastavitev shrani.

b. Izklop hladilnega oddelka:

S pritiskom na tipko za “Nastavitev temperature hladilnega oddelka”, izberite nastavitev “OFF”. Po petih sekundah utripanja se bo nastavitev shranila, tj. hlajenje tega oddelka se bo ustavilo.

3.2 Nastavitev temperature zamrzovalnega oddelka

Nastavitev temperature zamrzovalnega oddelka: Ta tipka je na voljo tako v Uporabniškem načinu, kot v Načinu Počitnice.

Po nastavitvi temperature zamrzovalnega oddelka, ta tipka začne utripati. Če tipko ponovno pritisnete, lahko izbirate med nastavitvami temperature -1 °C to -22°C. Kadar pustite, da prikaz izbrane temperature utripa 5 sekund, se nastavitev shrani.

3.3 Način obratovanja / Zaklepanje / Odklepanje

a. Z zaporednim pritiskanjem na to tipko, lahko izbirate način obratovanja med »EKO Način, Način Počitnice, Super Način in Uporabniški način«. Po petih sekundah utripanja izbrane nastavitve, se le-ta shrani.

b. Z dolgim pritiskom na to tipko lahko sprožite Zaklepanje / Odklepanje

·Odklepanje: Kadar je aparat zaklenjen, držite to tipko pritisnjeno tri sekunde, nakar se bo zaslišal zvočni signal in aparat se bo odklenil.

· Zaklepanje: Kadar je aparat odklenjen, držite to tipko pritisnjeno tri sekunde, nakar se bodo po zvočnem signalu vse tipke zaklenile.

3.4 Pritisk na tipko

Po pritisku na tipko se zasliši samo kratek zvočni signal

Vse tipke bodo na voljo šele, kadar jih odklenete.

3.5 Funkcija zaklepanja

Če ne izdate nobenega ukaza 25 sekund, se bo zaslon samodejno zaklenil.

Vsakodnevna uporaba

4.0 ECO način

S pritiskom na tipko Mode izberite EKO Način, nato bo 5 sekund bo utripala ustrezna ikona, po petih sekundah pa bo stalno svetila. V tem načinu je temperatura v hladilnem oddelku nastavljena na 5°, v zamrzovalnem oddelku pa -18°. Tipka »Freezer&Fridge« v tem načinu ni na voljo, pritiskanje na njo bo samo sprožilo trikratno utripanje ikone EKO Načina in zvočni signal.

Izhod iz EKO Načina

S ponovnim pritiskom na tipko Mode lahko izberete drugi način obratovanja, ki bo potrjen po petih sekundah.

4.1 Način Počitnice

S pritiskom na tipko Mode izberite Način Počitnice, nato bo 5 sekund bo utripala ustrezna ikona, po petih sekundah pa bo stalno svetila. Temperatura hladilnega oddelka je v tem načinu nastavljena na 17°. Tipka "fridge" v tem načinu ni na voljo, pritiskanje na njo bo samo sprožilo trikratno utripanje ikone Načina Počitnice in zvočni signal.

Izhod iz načina počitnice: S ponovnim pritiskom na tipko Mode lahko izberete drugi način obratovanja, ki bo potrjen po petih sekundah.

4.2 Super način

S pritiskom na tipko Mode izberite Super način, nato bo 5 sekund bo utripala ustrezna ikona, po petih sekundah pa bo stalno svetila.

V Super načinu (zamrzovanja) ni mogoče spreminjati nastavitve temperature zamrzovalnega oddelka, tipka »freezer« ni na voljo, pritiskanje na njo bo samo sprožilo trikratno utripanje ikone Načina Počitnice in zvočni signal.

Izhod iz Super načina (zamrzovanja): pod spodaj navedenimi pogoji

-Ročni izhod iz Super načina

-Super način obratuje 50 ur

Način obratovanja se bo povrnil na predhodno nastavljeni način.

Vsakodnevna uporaba

Prva uporaba

Čiščenje notranjosti

Pred prvo uporabo aparata, očistite notranjost in vso notranjo opremo z mlačno vodo in milom, da odstranite karakteristični vonj novega izdelka, nato pa temeljito posušite.

Pomembno! Ne uporabljajte čistilnih sredstev ali grobega praška, saj lahko tako poškodujete površine aparata.

Vsakodnevna uporaba

Živila v aparatu razporedite v oddelke, kot je navedeno v spodnji tabeli

Oddelek aparata	Vrsta živil
Predali v vratih	Živila z naravnimi konzervativi, npr. marmelada, sokovi, sladkarije. Tukaj ne hranite kvarljivih živil.
Predal za sadje in zelenjavo	Sadje in zelenjavo je potrebno ločeno hraniti v tem predalu. V hladilniku ne hranite banan, čebule, krompirja in česna.
Srednja polica hladilnega oddelka	Mlečni izdelki, jajca
Vrhna polica hladilnega oddelka	Hrana, ki jo ni potrebno pripravljati, npr. Vnaprej pripravljene obroki, delikatesa, ostanki obroka.
Predali zamrzovalnika	Živila, ki jih nameravate hraniti daljše časovno obdobje. Spodnji predal – meso, riba Srednji predal – zamrznjena zelenjava, pomfrit Zgodnji predal – sladoled, zamrznjeno sadje, zamrznjena peciva

Vsakodnevna uporaba

Priporočila za nastavitev temperature

Priporočila za nastavitev temperature	
Temperatura okolja	Nastavitev temperature
Poletje (Nad 38°C)	Hladilnik na 4°C
Običajna	Zamrzovalnik na -18°C
	Hladilnik na 4°C
Zima (Pod 16 °C)	Zamrzovalnik na -18°C
	Hladilnik na 4°C
	Zamrzovalnik na -18°C

- Zgoraj navedene informacije so priporočene nastavitve temperature.

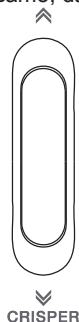
Vpliv na hranjenje živil

- Pri priporočenih nastavitvah, je priporočeno najdaljše obdobje hranjenja živil v hladilniku 3 dni.
- Pri priporočenih nastavitvah, je priporočeno najdaljše obdobje hranjenja živil v zamrzovalniku en mesec.
- Priporočeno najdaljše obdobje hranjenja živil se lahko pri drugačnih nastavitvah skrajša.

Vsakodnevna uporaba

Nastavitev temperature hladilnega oddelka

- Temperaturo hladilnega oddelka lahko nastavite glede na vrsto hranjenih živil.
- Gumb pritisnite navzgor, od dna, da postopoma zmanjšate temperaturo v hladilnem oddelku.
- Kadar je gumb na položaju »CRISPER«, hladilni oddelk lahko uporabljate za sveža živila, saj bo ohranjal primerno vlago in temperaturo za sadje in zelenjavo.
- Kadar je gumb na vrhnjem položaju, je hladilni oddelk primeren za kratkoročno hranjenje ribe ali drugih svežih živil. Takšna živila bodo ostala sveža, vendar ne bodo zamrznila, zato je to odlična opcija za sveža živila.
- Nasveti: Kadar je gumb na vrhnjem položaju, priporočamo, da nastavite temperaturo hladilnega oddelka na 4°C in ne hranite živil dlje od tri dni, za optimalne rezultate.



Nastavitev vlažnosti cone za sveža živila

- Kadar je gumb nastavljen na položaj »HIGH«, bo vlažnost v coni za sveža živila visoka, kar je primerno za zelenjavo.
- Kadar je gumb nastavljen na položaj »LOW«, bo vlažnost v coni za sveža živila nižja, kar je primerno za sadje.



Zamrzovanje sveže hrane

- Zamrzovalni oddelk je primeren za zamrzovanje svežih živil in dolgoročno hranjenje zamrznjenih in globoko zamrznjenih živil.
- Vstavite sveža živila, ki jih želite zamrzniti v zamrzovalni oddelk.
- Največja količina hrane, ki jo je mogoče zamrzniti v 24 urah je navedena na napisni tablici aparata.
- Čas, ki je potreben, da živila zamrznejo znaša 24 ur. V tem obdobju ne dodajajte drugih živil v zamrzovalnik.

Hranjenje zamrznjenih živil

Pri prvem zagonu ali po daljšem obdobju mirovanja, pred vstavljanjem živil v zamrzovalni oddelk, pustite, da aparat obratuje na najvišjih nastavitvi hlajenja vsaj dve uri.

Pomembno! V primeru da pride do slučajnega taljenja živil, npr. zaradi izpada električne energije za časovno obdobje daljše od tistega navedenega v razpredelnici tehničnih lastnosti pod »čas taljenja«, odmrznjena živila morate v kratkem zaužiti ali pa takoj skuhati/speči in ponovno zamrzniti po pripravi.

Taljenje

Globoko zamrznjena ali zamrznjena živila lahko pred uporabo odtalite v hladilnem oddelku ali na sobni temperaturi, v odvisnosti od časa, ki ga imate na voljo.

Manjše kose hrane lahko kuhate neposredno po jemanju iz zamrzovalnika. V tem primeru bo kuhanje dlje trajalo.

Kalup za ledene kocke

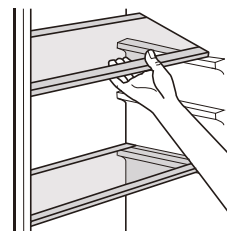
Aparat je lahko opremljen z enim ali več kalupi za pripravo ledenih kock.

Vsakodnevna uporaba

Oprema

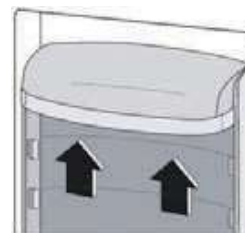
Premične police

Na bočnih stenah hladilnika je prisotnih več vodil, tako da lahko police vstavite na željeno višino.



Vstavljanje vratnih predalov

Da bi lahko hranili živila v embalažah različnih velikosti, je potrebno vratne predale postaviti na ustrezno višino. Da bi premaknili vratne predale ravnajte takole: Postopoma izvlecite predal iz ležišča, tako da vlečete v smeri puščic na sliki, dokler ga ne odstranite, nato pa jo vstavite na nov položaj.



Koristni nasveti

Da bi učinkovito uporabljali zamrzovalnik, vam nudimo nekaj pomembnih nasvetov:

- Največja količina živil, ki jo je mogoče zamrzniti v 24 urah, je navedena na napisni tablici aparata.
- Zamrzovanje traja 24 ur, v tem času ne dodajajte dodatnih živil v zamrzovalnik.
- Zamrzujte samo sveža, kakovostna živila, ki ste jih predhodno temeljito očistili.
- Pripravite manjše zavoje živil, tako da se lahko hitro in popolnoma zamrznejo in da kasneje lahko uporabite le tisto količino živil, ki jo potrebujete.
- Živila zavijte v aluminjsko ali plastično folijo, ter se prepričajte, da zavoje ne prepušča zraka.
- Ne dovolite, da se sveža živila dotikajo zamrznjenih živil, da ne bi prišlo do dviga temperature že zamrznjenih živil.
- Živila z manjšo vsebnostjo maščob zdržijo v zamrzovalniku dlje od tistih z večjo vsebnostjo maščob. Sol poslabša zdržljivost živila v zamrzovalniku.
- Voda oz. led, ki bi ga zaužili takoj po jemanju iz zamrzovalnika, lahko povzroči omrzline na koži.
- Priporočamo Vam, da na vsakem zavoju hrane vpišete datum zamrzovanja, da bi imeli pregled koliko časa so živila shranjena v zamrzovalniku.

Nasveti za hranjenje zamrznjenih živil

Za najbolj učinkovito obratovanje aparata, svetujemo naslednje:

Prepričajte se, da je vnaprej zamrznjena hrana bila pravilno hranjena pri prodajalcu.

Poskrbite da vnaprej zamrznjeno hrano po nakupu v trgovini čimprej prenesete v zamrzovalnik.

Ne odpirajte vrat aparata prepogosto oz. ne puščajte jih odprtih več časa, kot je nujno.

Po odmrznitvi se živila hitro kvarijo in ni jih mogoče ponovno zamrzniti.

Upoštevajte rok uporabe, ki ga navaja proizvajalec živila.

Nasveti za hranjenje svežih živil v hladilniku

Za najbolj učinkovito obratovanje aparata, svetujemo naslednje:

- V hladilnik ne vstavljajte toplih ali vročih živil oz. tekočin, ki še izhlapevajo.
- Zavijte ali pokrijte hrano, posebej če ima močan vonj.
- Meso vseh vrst zavijte v polivinilaste vrečke in postavite na stekleno polico nad predalom za zelenjavo.
- Zaradi varnosti, tako hranite živila najdlje dva dneva.
- Kuhane jedi, hladne narezke itd. zaprite s pokrovom in postavite na katerokoli polico.
- Sadje in zelenjavo temeljito očistite in postavite v zanje namenjen predal.
- Maslo in sir zaprite v posebne neprepustne posode ali zavijte v plastično ali aluminjsko folijo, ter iz zavoja iztisnite čim več zraka.
- Steklenice mleka bi morale imeti zamašek, postavite jih na predale v vratih.
- Banane, krompir, čebulo in česen, razen če niso v embalaži, ne hranite v hladilniku.

Vsakodnevna uporaba

Čiščenje

Zaradi higiene je potrebno notranjost aparata ter notranjo opremo redno čistiti.



Pozor! Aparat je pred čiščenjem potrebno izključiti iz električne vtičnice. Obstaja nevarnost električnega udara! Pred čiščenjem aparat izklopite ter izključite iz električnega napajanja oz. izklopite varovalko. Nikoli ne čistite aparata s parnim čistilnikom. Vlaga bi lahko v takem primeru prodrla v električne komponente aparata, obstaja nevarnost električnega udara! Vroča para lahko povzroči poškodbe plastičnih delov. Aparat se mora pred ponovno uporabo posušiti.

Pomembno! Eterična olja in organska topila lahko poškodujejo plastične dele, npr. limonada, oranžada, maslena kislina, čistilna sredstva, ki vsebujejo očetno kislino.

- Pazite, da te snovi ne pridejo v stik z deli aparata..
- Ne uporabljajte jedkih čistil.
- Odstranite vsa živila iz zamrznovalega dela in shranite na hladno ter dobro pokrijte..
- Izklopite aparat in potegnite vtikač iz vtičnice oz. Odvijte varovalko.
- Očistite vse površine in opremo s krpo in mlačno vodo. Po čiščenju izperite vse površine s čisto vodo in jih obrišite do suhega.
- Kadar se vse posuši, ponovno prižgite aparat.

Opis tehnologije proti nabiranu ledenih oblog (No Frost)

Aparat je opremljen s totalno tehnologijo proti nabiranju ledenih oblog, kar pomeni, da se odtaja samodejno.

Vsakodnevna uporaba

Odpravljanje nepravilnosti v delovanju

Pomembno! Preden pokličete pooblaščen servis, preberite spodnje nasvete; morda boste lahko sami odpravili nepravilnost.



Pomembno! Pri običajni uporabi predstavlja poseben hrup (kompresor, hladilnega obtoka).

Težava	Možen vzrok	Rešitev
Aparat ne obratuje.	Vtikač ni v vtičnici ali ni dobro vstavljen.	Preverite ali je vtičač pravilno vstavljen.
	Varovalka je pregorela ali je pokvarjena.	Preverite in po potrebi menjajte varovalko.
	Vtičnica je pokvarjena.	Zamenjati jo mora električar.
Aparat preveč hladi.	Nastavili ste prenizko temperaturo ali pa je aparat v SUPER načinu.	Začasno obrnite gumb termostata na toplejšo nastavitvev.
Živila so preveč topla.	Temperatura v aparatu ni ustrezno nastavljena.	Upoštevajte navodila v poglavju Prva uporaba.
	Vrata so bila dlje časa odprta.	Vrata naj bodo odprta le kolikor je nujno potrebno.
	V aparat ste v zadnjih 24 urah vstavili večjo količino toplih živil.	Začasno obrnite gumb termostata na hladnejšo nastavitvev.
	Aparat stoji ob viru toplote.	Upoštevajte navodila v poglavju Namestitvev.
Značajne obloge ledu na tesnilih vrat.	Tesnilo vrat ne tesni dobro.	Previdno segrejte dele tesnila, ki prepuščajo zrak s fenom za lase (na hladni nastavitvi). Istočasno oblikujte segreto tesnilo tako, da se ustrezno prilega.
Neobičajni zvoki.	Aparat ne stoji vodoravno.	Prilagodite višino nogic.
	Aparat se dotika zidu ali drugih predmetov.	Nekoliko ga odmaknite.
	Del aparata, npr. cev, na hrbtni strani, se dotika drugega dela aparata ali zidu.	Po potrebi, previdno upognite del, da se ne bo več dotikal.
Na tleh je voda.	Odprtina za drenažo vode je zamašena.	Glej poglavje Čiščenje in vzdrževanje.

Če se težave nadaljujejo, prosimo stopite v stik s pooblaščenim serviserjem. Ti podatki so potrebni, da hitro in pravilno odpravite težave. Tukaj zapišite potrebne podatke z natpisne tablice.

TEHNIČNI PODATKI

Tehnični podatki se nahajajo na napisni tablici na notranji strani aparata in na energijski nalepnici.

Prek QR koda na energijski nalepnici lahko dostopate do spletne povezave z informacijami o zmogljivosti aparata v EU EPREL bazi podatkov.

Shranite energijsko nalepnico skupaj z navodili za uporabo in drugo dokumentacijo, ki ste jo dobili z aparatom.

Iste podatke lahko najdete tudi v bazi podatkov EPREL na spletnem naslovu <https://eprel.ec.europa.eu> z nazivom modela in številko izdelka, ki sta izpisana na napisni tablici aparata.

Obiščite spletno stran www.theenergylabel.eu za podrobnejše informacije o energijski nalepnici.

INFORMACIJA ZA INŠTITUTE ZA PREIZKUŠANJE

Aparat z oznako EcoDesign ustreza zahtevam standarda EN 62552.

Zahteve v zvezi s prezračevanjem, velikosti odprtih in minimalni razdalji za aparatom ustrezajo vrednostim navedenim v teh navodilih za uporabo.

Prosimo stopite v stik s proizvajalcem, če potrebujete podrobnejše informacije, vključno z razporedi nalaganja.

PODPORA UPORABNIKOM IN POPRAVILO

Vedno uporabljajte originalne rezervne dele. Kadar pokličete pooblaščenega serviserja, imejte pri roki naslednje podatke: Model, Serijsko številko in Servisni seznam.

Te informacije najdete na napisni tablici. Lahko se spremenijo brez predhodnega obvestila.

Originalni rezervni deli za določene komponente so na voljo najmanj 7 do 10 let, v odvisnosti od vrste dela in datuma prodaje na tržišču zadnjega primerka modela.

Obiščite našo spletno stran:

www.voxelectronics.com



VOX
ELECTRONICS

SPA

Manual de uso

Frigorífico con congelador No frost

FD458IXE

FD458BLE

Indice	
1. Información de seguridad	Página 1-10
2. Las partes del dispositivo	Página 11
3. Instalación	Página 12-14
4. Uso diario	Página 15-23
5. DATOS TÉCNICOS	Página 24
6. INFORMACIÓN PARA INSTITUTOS DE PRUEBAS	Página 24
7. ATENCIÓN Y SERVICIO AL CLIENTE	Página 24

EAC

En interés de su seguridad y para garantizar el uso correcto, antes de instalar y utilizar el aparato por primera vez, lea atentamente este manual de usuario, incluidos sus consejos y advertencias. Para evitar errores y accidentes innecesarios, es importante asegurarse de que todas las personas que utilicen el aparato estén completamente familiarizadas con su funcionamiento y características de seguridad. Guarde estas instrucciones y asegúrese de que permanezcan con el electrodoméstico si se traslada o vende, de modo que todos los que lo utilicen durante su vida estén debidamente informados sobre el uso y la seguridad del electrodoméstico.

Para la seguridad de la vida y la propiedad, siga las precauciones de estas instrucciones del usuario, ya que el fabricante no es responsable de los daños causados por omisiones.

Niños y personas vulnerables

- Este aparato puede ser utilizado por niños a partir de 8 años y personas con capacidades físicas, sensoriales o mentales reducidas o con falta de experiencia y conocimiento, si han recibido supervisión o instrucción sobre el uso del aparato de forma segura y comprenden los peligros involucrados.
- Los niños de 3 a 8 años pueden cargar y descargar este aparato.
- Los niños deben ser supervisados para asegurarse de que no jueguen con el aparato.
- La limpieza y el mantenimiento por parte del usuario no deben ser realizados por niños a

menos que sean mayores de 8 años y estén supervisados.


- Mantenga todos los envases fuera del alcance de los niños ya que existe riesgo de asfixia.


Si va a desechar el aparato, desenchufe la clavija de la toma, corte el cable de conexión (lo más cerca posible del aparato) y retire la puerta para evitar que los niños que juegan sufran descargas eléctricas o se encierren en ella.


- Si este electrodoméstico con sellos de puerta magnéticos va a reemplazar un electrodoméstico antiguo que tiene un cierre de resorte (pestillo) en la puerta o tapa, asegúrese de inutilizar la falta de resorte antes de desechar el electrodoméstico viejo. Esto evitará que se convierta en una trampa mortal para un niño.

Seguridad general

 ¡**ADVERTENCIA!** Mantenga las aberturas de ventilación, en el recinto del aparato o en la estructura incorporada, libres de obstrucciones.

 ¡**ADVERTENCIA!** No use dispositivos mecánicos u otros medios para acelerar el proceso de descongelación, distintos de los recomendados por el fabricante.

 ¡**ADVERTENCIA!** No dañe el circuito refrigerante.

 ¡**ADVERTENCIA!** No utilice otros aparatos eléctricos (como máquinas de


Información de seguridad



hacer helados) dentro de aparatos de refrigeración, a menos que estén aprobados para este propósito por el fabricante.

 **¡ADVERTENCIA!** Mantenga las aberturas de ventilación, en el recinto del aparato o en la estructura incorporada, libres de obstrucciones.

 **¡ADVERTENCIA!** Al colocar el aparato, asegúrese de que el cable de alimentación no esté atrapado o dañado.

 **¡ADVERTENCIA!** No coloque múltiples tomas de corriente portátiles o proveedores de energía con puertos en la parte posterior del aparato.

- No almacene sustancias explosivas como latas de aerosol con propulsor inflamable en este aparato.

- El refrigerante metilpropano (R-600a) está contenido dentro del circuito refrigerante del aparato, un gas natural con un alto nivel de compatibilidad medioambiental, que sin embargo es inflamable.

- Durante el transporte e instalación del aparato, asegúrese de que ninguno de los componentes del circuito refrigerante resulte dañado.

- evitar llamas abiertas y fuentes de ignición

- ventilar a fondo la habitación en la que se encuentra el aparato

- Esto es peligroso alterar las especificaciones

o modificar este producto de cualquier forma. Cualquier daño al cable puede causar un cortocircuito, fuego y / o descarga eléctrica.


- Este aparato está diseñado para ser utilizado en aplicaciones domésticas y similares, como:


- áreas de cocina para el personal en tiendas, oficinas y otros entornos de trabajo;

- casas agrícolas y por clientes en hoteles, moteles y otros entornos de tipo residencial;

- entornos de tipo alojamiento y desayuno;

- catering y aplicaciones similares no jubilatorias

 **¡ADVERTENCIA!** Cualquier componente eléctrico (enchufe, cable de alimentación, compresor, etc.) debe ser reemplazado por un agente de servicio certificado o personal de servicio calificado.

 **¡ADVERTENCIA!** La bombilla suministrada con este aparato es una “bombilla de lámpara de uso especial” que se puede utilizar únicamente con el aparato suministrado. Esta “lámpara de uso especial” no se puede utilizar para iluminación doméstica.

El cable de alimentación no debe alargarse

- Asegúrese de que el enchufe no esté aplastado o dañado por la parte posterior del aparato. El enchufe de alimentación aplastado o dañado puede recalentarse y provocar un incendio.

- Asegúrese de que puede llegar al enchufe de la red del aparato

- No tire del cable de red.
- Si la toma de corriente está suelta, no inserte el enchufe. Existe riesgo de descarga eléctrica o incendio.
- No debe operar el aparato sin l lámpara.
- Este aparato es pesado. Se debe tener cuidado al moverlo.
- No retire ni toque artículos del compartimento del congelador si sus manos están húmedas / mojadas, ya que esto podría causar abrasiones en la piel o quemaduras por congelación / congelación.
- Evite la exposición prolongada del aparato a l luz solar directa.

Uso diario

No caliente las piezas de plástico del aparato.

No coloque productos alimenticios directamente contra la pared trasera

Informaciones de seguridad

- Los alimentos congelados no deben volver a congelarse una vez descongelados.1)
- Almacene los alimentos congelados preenvasados de acuerdo con las instrucciones del fabricante de alimentos congelados.1)
- Se deben seguir estrictamente las recomendaciones de almacenamiento de los fabricantes de electrodomésticos. Consulte las instrucciones pertinentes.
- No coloque bebidas carbonatadas o gaseosas en el compartimento del congelador, ya que crea presión en el recipiente, lo que puede

hacer que explote y dañar el aparato. 1)

- Los polos de hielo pueden provocar quemaduras por congelación si se consumen directamente del aparato. 1)
- Para evitar la contaminación de los alimentos, respete las siguientes instrucciones
- Abrir la puerta durante períodos prolongados puede provocar un aumento significativo de la temperatura en los compartimentos del aparato.
- Limpiar con regularidad las superficies que puedan entrar en contacto con alimentos y sistemas de drenaje accesibles.
- Limpiar los tanques de agua si no se han utilizado durante 48 horas; Enjuague el sistema de agua conectado a un suministro de agua si no se ha extraído agua durante 5 días.
- Guarde la carne y el pescado crudos en recipientes adecuados en el frigorífico, para que no entren en contacto ni goteen sobre otros alimentos
- Los compartimentos para congelados de dos estrellas (si se presentan en el aparato) son aptos para almacenar alimentos pre-congelados, almacenar o hacer helados y hacer cubitos de hielo.

1) Si hay un compartimento congelador.

2) Si hay un compartimento para guardar alimentos frescos.

- Los compartimentos de una, dos y tres estrellas (si se presentan en el aparato) no son aptos para la congelación de alimentos frescos.
- Si el aparato se deja vacío durante períodos prolongados, apáguelo, descongele, limpie, seque y deje la puerta abierta para evitar que se forme montaje dentro del aparato.

Cuidado y Limpieza

- Antes del mantenimiento, apague el aparato y desconecte el enchufe de la red; enchufe.
- No limpie el aparato con objetos metálicos.
- No utilice objetos afilados para quitar la escarcha del aparato. Utilice un raspador de plástico. 1)
- Examine regularmente el desagüe del refrigerador para ver si hay agua descongelada. Si es necesario, limpie el desagüe. Si el desagüe está bloqueado, el agua se acumulará en la parte inferior del aparato.

Instalación

 **¡Importante!** Para la conexión eléctrica con cuidado

siga las instrucciones dadas en párrafos específicos.

- Desembale el aparato y compruebe si presenta daños. No conecte el aparato si está dañado. Informe de inmediato los posibles daños al lugar donde lo compró. En este caso, conserve el embalaje.

- Es aconsejable esperar al menos cuatro horas antes de conectar el aparato para permitir que el aceite regrese al compresor.
- Debe haber una circulación de aire adecuada alrededor del aparato, de lo contrario se producirá un sobrecalentamiento. Para lograr una ventilación suficiente, siga las instrucciones correspondientes a la instalación.
- Siempre que sea posible, los espaciadores del producto deben estar contra una pared para evitar tocar o atrapar (compresor, condensador) para evitar posibles quemaduras partes calientes.
- El aparato no debe colocarse cerca de radiadores o cocinas.
- Asegúrese de que el enchufe sea accesible después de la instalación del aparato.

Servicio

- Cualquier trabajo eléctrico necesario para realizar el mantenimiento del aparato debe ser realizado por un electricista calificado o una persona competente.
- Este producto debe ser reparado por un centro de servicio autorizado, y solo deben usarse repuestos originales.

El ahorro de energía


- No ponga comida caliente; en el aparato;
- No empaque los alimentos muy juntos, ya que

esto evita que el aire circule;

- Asegúrese de que los alimentos no toquen la parte posterior de los compartimentos;
- Si se apaga la electricidad, no abra la (s) puerta (s);
- No abra la (s) puerta (s) con frecuencia
- No deje las puertas abiertas por mucho tiempo;
- No ajuste el termostato a temperaturas demasiado bajas;
- Todos los accesorios, como cajones, baldas de baldas, deben guardarse allí para un menor consumo energético.

Proteccion Ambiental



Este aparato no contiene gases que puedan dañar la capa de ozono, ni en su circuito refrigerante ni en los materiales aislantes. El aparato no debe desecharse junto con la basura y la basura urbanas. La espuma de aislamiento contiene gases inflamables: el aparato debe desecharse de acuerdo con las regulaciones del aparato que debe obtener de las autoridades locales. Evite dañar la unidad de refrigeración, especialmente el intercambiador de calor. Los materiales utilizados en este aparato están marcados con el símbolo  son reciclables.



El símbolo en el producto o en su empaque indica que este producto no puede ser tratado como basura doméstica. En su lugar, debe llevarse al punto de recolección apropiado para el reciclaje de equipos eléctricos y electrónicos. Si

se asegura de que este producto se deseche correctamente, ayudará a prevenir posibles consecuencias negativas para el medio ambiente y la salud humana que de otro modo podría ser causado por un manejo inadecuado de residuos de este producto. Para obtener información más detallada sobre el reciclaje de este producto, póngase en contacto con su ayuntamiento, su basura doméstica servicio de eliminación o la tienda donde compró el producto.

Materiales de embalaje

Los materiales con el símbolo son reciclables.

Deseche el embalaje en contenedores de recogida adecuados para reciclarlo.

Eliminación del aparato

1. Desconecte el enchufe de red del toma de corriente.
2. Corte el cable de red y deséchelo



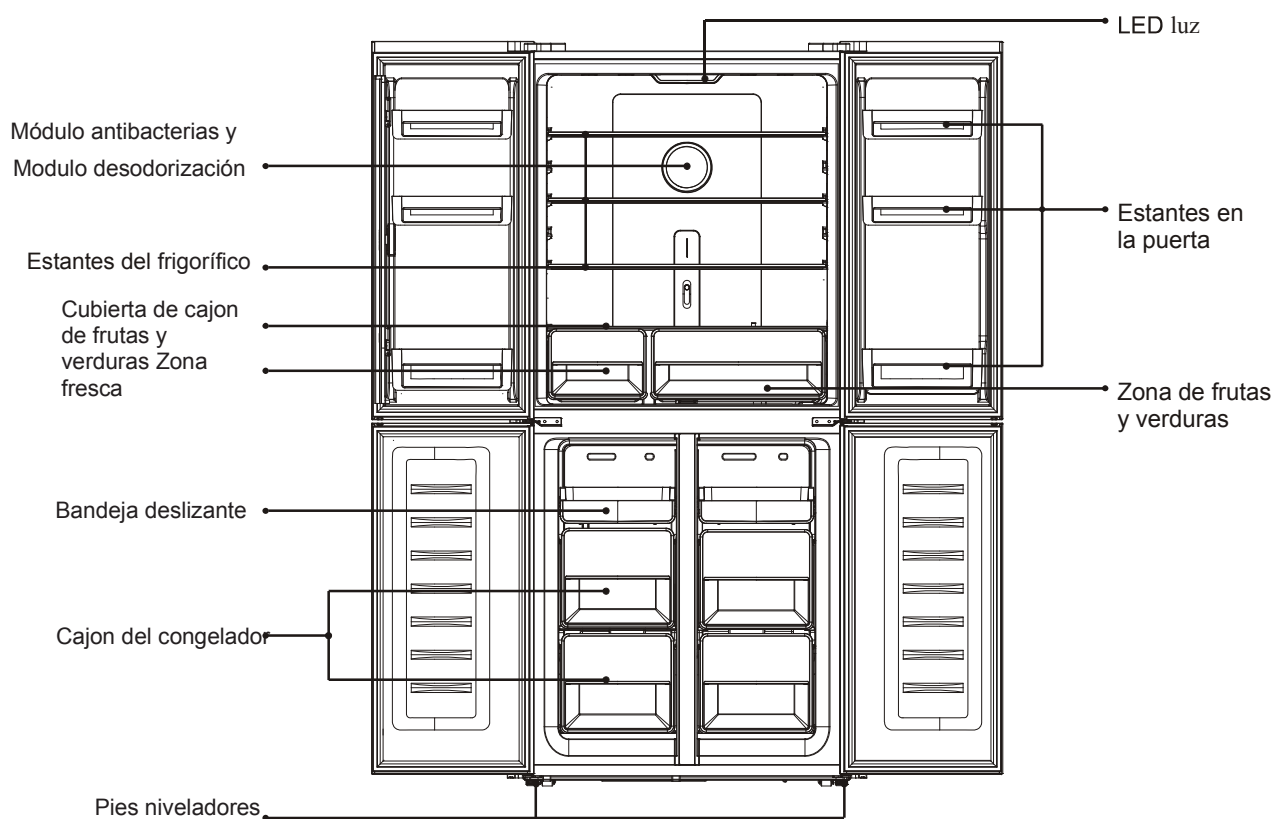
¡ADVERTENCIA!

Durante el uso, mantenimiento y eliminación del aparato, preste atención al símbolo similar al del lado izquierdo, que se encuentra en la parte trasera del aparato (panel trasero o compresor) y de color amarillo o naranja.

Es el símbolo de advertencia de riesgo de incendio. Hay materiales inflamables en las tuberías de refrigerante y el compresor.

Manténgase alejado de la fuente de fuego durante el uso, el servicio y la eliminación.

Las partes del dispositivo

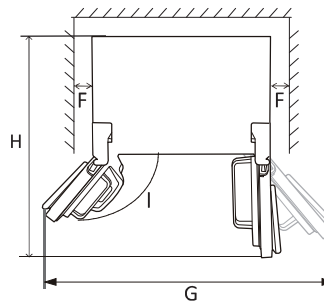
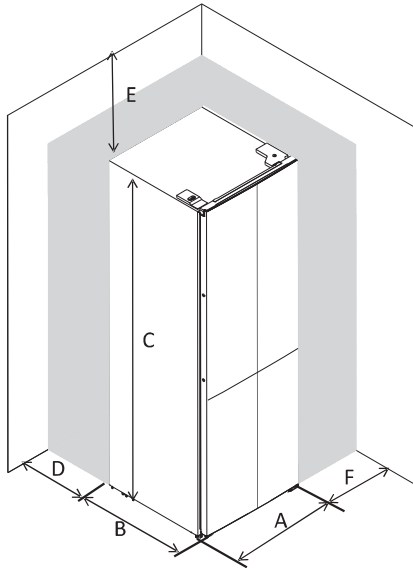


La imagen de arriba es solo para una referencia, el aparato real puede ser diferente.

Instalación

Requerimientos espaciales

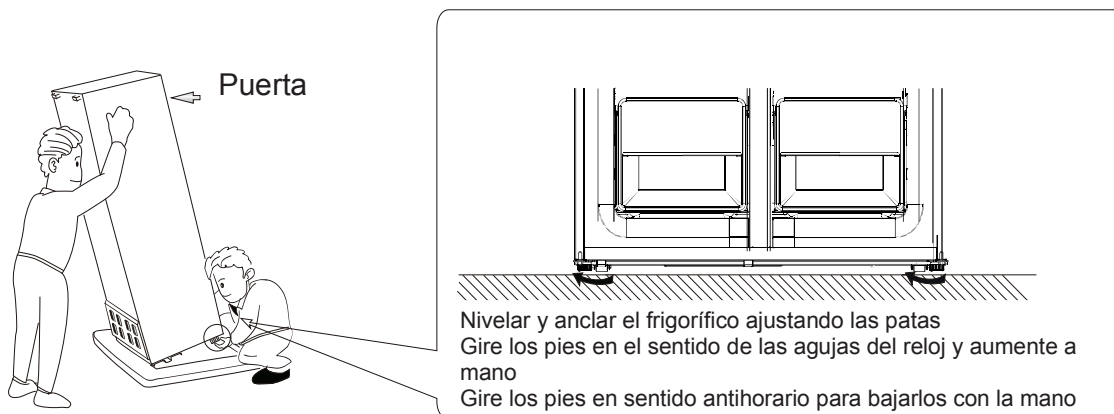
- Deje espacio suficiente para abrir la puerta.



	FD458IXE	FD458BLE
A	795	795
B	700	692
C	1800	1800
D	min=50	min=50
E	min=50	min=50
F	min=50	min=50
G	1580	1580
H	1490	1490
I	135°	135°

Nivelación del dispositivo

Para hacer esto ajuste las dos patas niveladoras en la parte delantera de la unidad



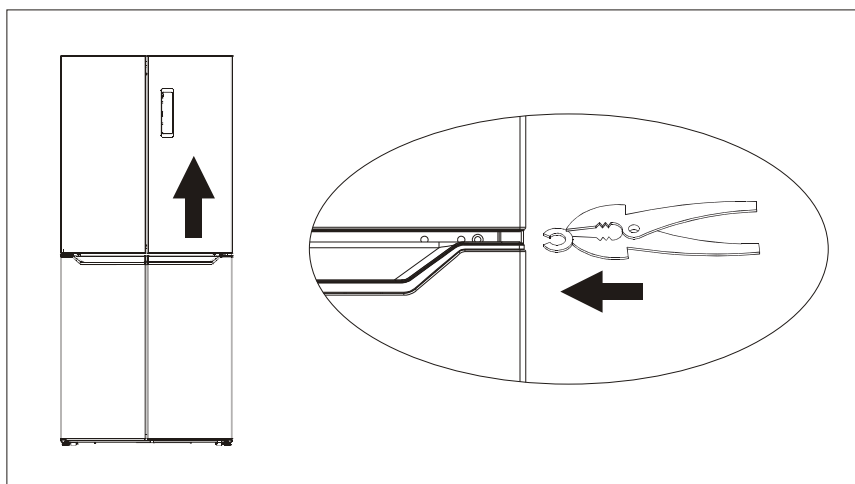
Puertas niveladas



Después de que el transporte o los balcones de las puertas se carguen con alimentos o bebidas, es posible que las dos puertas superiores no estén alineadas. Hay 3 arandelas tipo C que se utilizan para ajustar las puertas. Siga el proceso a continuación para nivelar las puertas.



1. Antes de verificar la alineación de las puertas, asegúrese de que el electrodoméstico esté nivelado.
2. Si la parte superior de las dos puertas superiores no parece estar en línea, levante ligeramente la puerta inferior e inserte un trozo de arandela tipo C con un clip entre la parte inferior de la puerta y la bisagra central.

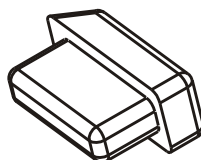
Instalación



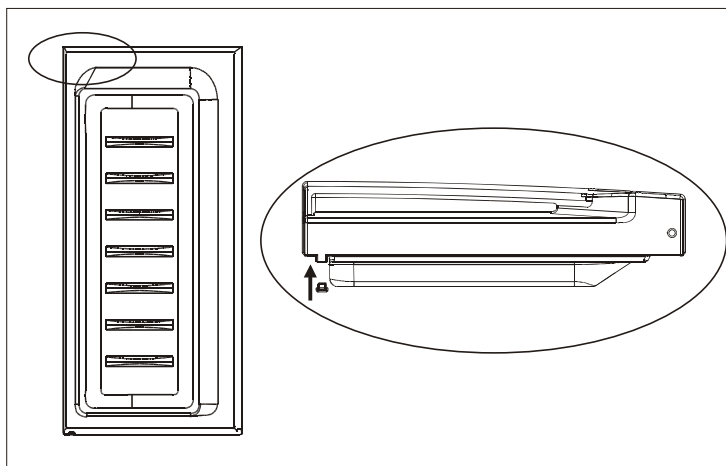
-  **Advertencia!** Tenga cuidado de evitar que la puerta le pille los dedos. Utilice la herramienta.
-  **Advertencia!** Mantenga las lavadoras tipo C lejos de los niños para evitar que se las traguen, porque son piezas pequeñas.

Bloques de caucho

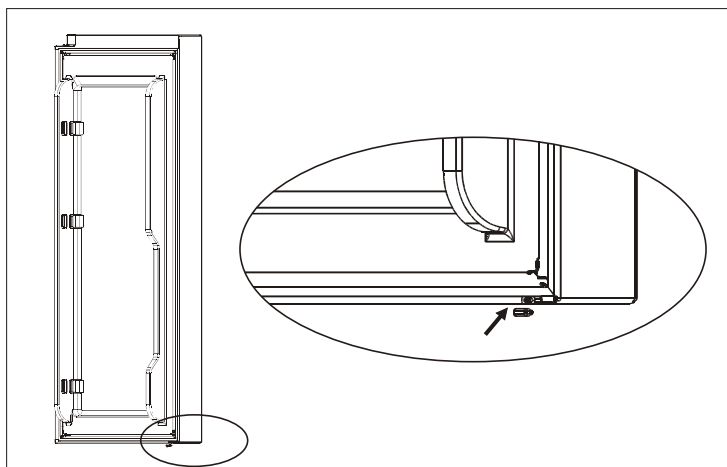
Hay un bloque de goma en cada puerta. Funcionan como resorte para aliviar el impacto cuando se cierra la puerta.



No tire de los bloques de goma. Si no están en las puertas, tome uno de la bolsa de accesorios e insértelo en el agujero de la puerta.



Instalación



Advertencia! Mantenga los bloques de goma lejos de los niños para evitar que se los traguen, son piezas pequeñas.

Instalación

Instale este aparato en un lugar donde la temperatura ambiente corresponda a la clase climática indicada en la placa de características del aparato:

Para aparatos frigoríficos con clase climática:

- Temperatura extendida: "este aparato de refrigeración está diseñado para ser utilizado a temperaturas ambiente que oscilen entre 10°C y 32°C (SN);
- Temperatura: "este aparato de refrigeración está destinado a ser utilizado a temperaturas ambiente que oscilen entre 16°C y 32°C(N);
- Subtropical: "este aparato de refrigeración está destinado a ser utilizado a temperaturas ambiente que oscilen entre 16°C y 38°C(ST);
- Tropical: "este aparato de refrigeración está diseñado para ser utilizado a temperaturas ambiente que oscilen entre 16 °C y 43°C(T);

La colocación del dispositivo

El dispositivo debe ser colocado lejos de fuentes de calor, como radiadores, estufas, luz directa del sol, etc. Asegúrese de que el aire pueda circular libremente alrededor de la parte posterior del congelador. Para asegurarse de que el dispositivo pueda funcionar con el mejor rendimiento, si el aparato se instala debajo de las partes de la pared, la distancia mínima entre el dispositivo y el elemento de cubierta montada en la pared debe ser de al menos 100 mm. Sin embargo, la más ideal es que el dispositivo no se coloque debajo de las componentes montadas en la pared. Nivelación del dispositivo es posible con el uso de una o más patas en la unidad base.



ADVERTENCIA! Es necesario evitar que se desconecte el aparato de enchufe de la red; por lo tanto, toma de corriente debe ser accesible después de la instalación.

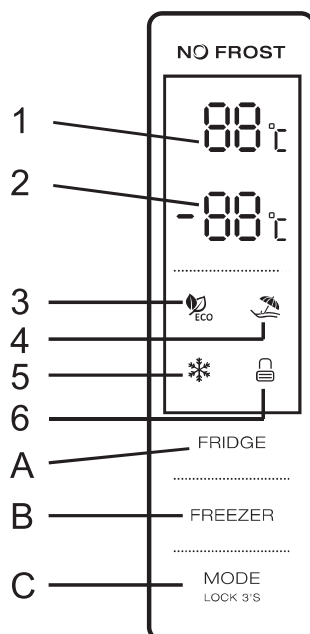
Conexiones eléctricas

Antes de asegurarse de que la tensión se muestra en la tabla corresponda a la tensión de red de su hogar. la toma de alimentación que encienda el dispositivo debe tener una conexión a tierra. El cable para la fuente de alimentación está equipada con un contacto para este propósito. Si la salida no se basa en el cumplimiento de los requisitos esenciales, consulte a un electricista calificado.

El fabricante no se hace responsable si no se toman precauciones.
Este dispositivo está con las directivas de la CE.

Uso diario

El uso de Panel de control



1.1 LOS BOTONES

- A. Control de temperatura del compartimento del frigorífico
- B. Control de temperatura del compartimento congelador
- C. Modo / Bloqueo / Desbloqueo

1.2 LED ECRAN

- 1. Comparación de temperatura del refrigerador
- 2. Comparación de temperatura del congelador
- 3. Modo ECO
- 4. Modo de vacaciones
- 5. Modo súper
- 6. Bloqueo / Desbloqueo

2.0 CONDICIÓN DE USO

El panel de control se ilumina al 100% durante 3 segundos, lo que funciona exactamente según la configuración (modo y temperatura) antes del apagado. El sistema se bloqueará automáticamente 25 segundos después de la última operación de tecla. Después del bloqueo, la luz del panel se apagará 120 segundos después de la última operación de tecla.

b) En la pantalla se mostrarían las temperaturas preestablecidas del compartimento del frigorífico y del compartimento del congelador.

2.1 PANEL

2.1.1 El panel se iluminará durante 2 minutos, una vez que se abra la puerta del compartimento del frigorífico o del congelador (se detecta una señal de puerta a la vez)

Uso diario

2.1.2 El panel se iluminará con cualquier operación de tecla, mientras que la luz se apagará 2 minutos después de la última operación.

2.1.3 Pantalla durante el funcionamiento normal

Pantalla de temperatura del compartimento frigorífico: indica la temperatura del ajuste actual.

Pantalla de temperatura del compartimento congelador: indica la temperatura del ajuste actual.

3.0 ILUSIÓN DE LOS BOTONES

3.1 Control de temperatura del compartimento frigorífico

a. Control de temperatura del compartimento frigorífico:

Esta tecla se puede utilizar tanto en el Modo definido por el usuario como en el Modo súper. Después de ingresar al control de temperatura del compartimento frigorífico, esta tecla parpadeará. Al tocar la tecla consecutivamente, la temperatura cambiaría en un círculo de "2 °C, 3 °C, 4 °C, 5 °C, 6 °C, 7 °C, 8 °C, OFF", después de lo cual el parpadeo de 5 segundos significa la selección de temperatura está establecido.

b. Apagado del compartimento frigorífico:

Pulse la tecla de "Control de temperatura del compartimento frigorífico", elija "OFF", el parpadeo de unos 5 segundos significa que se ha realizado la selección de temperatura, es decir, el compartimento frigorífico podría dejar de refrigerar.

3.2 Control de temperatura del compartimento congelador

Control de temperatura del compartimento congelador: esta tecla se puede utilizar tanto en el Modo definido por el usuario, así como Modo vacaciones. Después de ingresar al control de temperatura del compartimento congelador, la tecla parpadea. Al tocar la tecla consecutivamente, la temperatura cambiaría en un círculo de -1 °C a -22 °C, después de lo cual un parpadeo de 5 segundos significa que la selección de temperatura está establecida.

3.3 Modo / Bloqueo / Desbloqueo

a. Al tocar esta tecla consecutivamente, el modo de funcionamiento del refrigerador cambiará en un círculo de "Modo ECO-Modo vacaciones-Modo Super-Modo definido por el usuario. Un parpadeo de 5 segundos significa que la selección de temperatura está establecida.

b. Pulse prolongadamente para entrar / salir del modo de bloqueo

- Desbloqueo: presione durante 3 segundos en el Modo de bloqueo, todas las teclas se desbloquearán después de un pitido.

- Bloqueo: presione durante 3 segundos en el Modo de desbloqueo, todas las teclas se bloquearán después de un pitido.

3.4 Presione el botón

Pitido corto después de presionar el botón

Todos los botones solo serán válidos en el Modo de desbloqueo.

3.5 Función de bloqueo

Si no se realiza ninguna operación en 25 segundos, la pantalla se bloqueará automáticamente.

Uso diario

4.0 Modo ECO

Presione Mode para elegir el Modo ECO, el ícono ECO se mantiene brillante después de 5 segundos, parpadeando 5 ° en el compartimento del frigorífico, y -18 ° en el compartimento del congelador en Modo eco, el botón "Congelador" y "Frigorífico" en vano, mientras que el ícono eco parpadeará tres veces en alarma. Salga del modo eco

Presione Mode nuevamente para salir del modo eco después de 5 segundos, ingresando al modo seleccionado.

4.1 Modo vacaciones

Presione Mode para elegir el modo de vacaciones, el ícono se mantiene brillante después de 5 segundos parpadeando, ingresando al modo de vacaciones.

La temperatura fija está en 17 ° en el compartimento del frigorífico, el botón "frigorífico" está en vano, mientras que el ícono de vacaciones parpadea tres veces en alarma.

Salir del Modo de vacaciones: elija el modo, salga del Modo de vacaciones después de 5 segundos, ingresando al modo seleccionado.

4.2 Modo de súper congelación

Elija el modo, el ícono se mantiene brillante después de 5 segundos parpadeando, ingresando al modo de congelación.

Modo de congelación:

Temperatura no ajustable está en el compartimento de congelación, botón "congelador" está en vano, mientras que el ícono de congelación parpadeará tres veces en alarma.

Salir del Modo de congelación: cumple las siguientes condiciones.

-salir manualmente del Modo de congelación

-período de congelación de más de 50 horas

El modo permanece igual antes de ingresar al Modo de súper congelación.

Uso diario

Primer uso Limpieza del interior

Antes de utilizar el aparato por primera vez, lave el interior y todos los accesorios internos con agua tibia y un poco de jabón neutro para eliminar el olor típico de un producto nuevo, luego seque bien. ¡Importante! No utilice detergentes ni polvos abrasivos, ya que dañarán el acabado.


Uso diario

Coloque los distintos tipos de alimentos en los diferentes compartimentos del frigorífico, según la siguiente tabla:

Compartimientos del refrigerador	Tipo de comida
Puerta e balcones	<ul style="list-style-type: none">• Alimentos con conservantes naturales, como mermeladas, jugos, bebidas, condimentos• No almacene alimentos perecederos
Cajón de verduras y ensaladas	<ul style="list-style-type: none">• Las frutas, hierbas y verduras deben colocarse por separado en el recipiente para verduras• No almacene plátanos, papas, ajo en el refrigerador.
Estante del refrigerador-medio	<ul style="list-style-type: none">• Productos lácteos y huevos
Estante del refrigerador-parte superior	<ul style="list-style-type: none">• Alimentos que no necesitan enfriamiento, como alimentos listos para comer, carne, sobras
Cajon/estante del congelador	<ul style="list-style-type: none">• Alimentos para almacenamiento a largo plazo• Cajón inferior / estante para carne cruda, aves, pescado• Cajón / estante intermedio para verduras congeladas, patatas fritas.• Cajón/estante superior para helados, fruta congelada, productos horneados congelados.

Uso diario

Ajuste de temperatura recomendada

Ajuste de temperatura recomendada		
Temperatura ambiental	Ajuste de temperatura	
Verano (Por encima de 38 °C)		Frigorífico en 4°C
		Congelador en -18°C
Normal		Frigorífico en 4°C
		Congelador en -18°C
Invierno (Por debajo de 16 °C)		Frigorífico en 4°C
		Congelador en -18°C

· La información anterior brinda a los usuarios recomendaciones sobre el ajuste de temperatura.

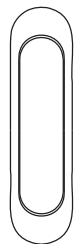
Impacto en el almacenamiento de alimentos

- Bajo la configuración recomendada, el mejor tiempo de almacenamiento del refrigerador es no más de 3 días.
- Bajo la configuración recomendada, el mejor tiempo de almacenamiento en el congelador es no más de un mes.
- El mejor tiempo de almacenamiento puede reducirse en otras configuraciones

Uso diario

Control de temperatura de zona fresca

- La temperatura de la zona fresca se puede ajustar según el tipo de alimento almacenado.
- Empuje la perilla hacia arriba desde la parte inferior, la temperatura en la zona fresca disminuirá gradualmente.
- Cuando la perilla se coloca en la posición "CRISPER", la zona fresca puede funcionar como una zona más crujiente y mantener la temperatura y humedad adecuadas para frutas y verduras.
- Cuando la perilla se coloca en la posición superior, es adecuada para el almacenamiento a corto plazo de pescado u otros alimentos frescos. La comida se mantendrá fresca pero no congelada, lo que la convierte en la mejor opción para almacenar alimentos frescos.
- Consejos: Cuando el mando se coloca en la posición superior, se recomienda ajustar la temperatura del frigorífico por debajo de 4 ° C y conservar el tiempo de espera no más de 3 días, para mantener la mejor frescura.



CRISPER

Ajuste de humedad para una zona más fresca

- Cuando la perilla se coloca en la posición "ALTA", la humedad del cajón para verduras es alta, lo que es adecuado para vegetales.
- Cuando la perilla se coloca en la posición "BAJA", la humedad en el cajón para verduras es menor, lo que es adecuado para frutas.



La congelación de alimentos frescos

- Congelador es adecuado para congelar alimentos frescos y conservar productos congelados y ultracongelados durante un largo periodo de tiempo.
- Coloque el compartimiento de alimentos frescos en la parte inferior del dispositivo.
- La cantidad máxima de alimentos que se pueden congelar en 24 horas se muestra en la tabla.
- El proceso de congelación dura 24 horas: durante este período no añada otros alimentos a congelar.

Almacenamiento de alimentos congelados

La primera vez que encienda el dispositivo o dispositivos después de un período de inactividad, antes de colocar los alimentos en el congelador permita que el dispositivo funcione durante al menos dos horas a temperatura máxima.

Importante! En el caso de la descongelación no planificada, por ejemplo, cuando no había electricidad del valor que se muestra en las especificaciones técnicas en "Tiempo del deshielo", los alimentos deben ser consumidos en un corto período de tiempo o inmediatamente cocinados .

Descongelación

Alimento ultracongelado o congelado antes de su uso debe disolverse en el refrigerador o a temperatura ambiente, dependiendo del tiempo disponible para este proceso. Las piezas pequeñas se pueden cocinar aunque todavía congeladas, directamente del congelador. En este caso, cocinar tomará más tiempo.

Cubitos de hielo

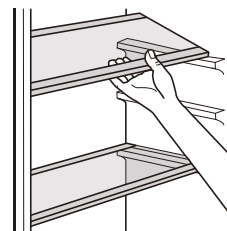
Este dispositivo puede estar equipado con uno o más contenedores para hacer cubitos de hielo.

Uso diario

Accesorios

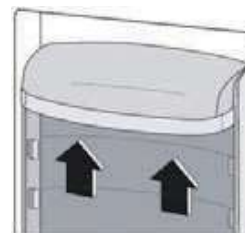
Estantes móviles

Las paredes del frigorífico están equipadas con una serie de pasillos para que los estantes se puedan colocar como se desee.



Coloque los estantes de la puerta

Para permitir el almacenamiento de paquetes de alimentos de varios tamaños, los estantes de las puertas se pueden colocar a diferentes alturas. Para ajustar la altura, proceda de la siguiente manera: tire gradualmente del estante en la dirección de las flechas hasta que se suelte, luego vuelva a colocarlo como desee.



Sugerencias útiles

Para ayudarle a obtener el máximo del proceso de congelado les presentamos algunos consejos útiles:

- la cantidad máxima de comida que puede ser congelada en 24 horas se muestra en las especificaciones;
- el proceso de congelado lleva 24 horas. Durante este período no debe agregarse comida a ser congelada;
- congele únicamente alimentos de calidad, frescos y lavados;
- prepare la comida en pequeñas porciones para permitir que se congele de forma rápida y completa y luego poder descongelar únicamente la cantidad necesaria;
- envuelva la comida en papel de aluminio o film y asegúrese que los paquetes se encuentren herméticos;
- no permita que la comida fresca, no congelada, entre en contacto con la comida que ya se encuentra congelada, para evitar que aumente la temperatura de ésta última;
- los alimentos magros se conservan mejor y por más tiempo que aquellos con grasa; la sal reduce el tiempo de almacenamiento de los alimentos;
- el hielo, si se consume inmediatamente después de retirado del compartimento del congelador, puede causar quemaduras en la piel;
- se recomienda verificar la fecha de congelamiento en cada paquete individual para así llevar registro del tiempo de almacenamiento y su vencimiento.

Consejos para conservación de alimentos congelados

Para lograr el mejor rendimiento de este dispositivo, usted debería:

- asegurarse de que la comida congelada comercial esté adecuadamente embalada por el vendedor;
- asegurarse de que la comida congelada ha sido el menos tiempo posible en el congelador del vendedor;
- no abrir la puerta con frecuencia o dejarla abierta más de lo necesario.
- una vez descongelado, descomponer los alimentos porque no se pueden volver a congelar.
- no deje que expire la fecha límite del producto, indicada por el fabricante

Consejos para la refrigeración de comida fresca

Para obtener un mejor rendimiento:

- No guarde comida tibia o líquidos que se evaporen en el refrigerador.
- Cubra o envuelva la comida, especialmente si tiene un sabor fuerte.
- Carne (todos tipos): Envuelva en bolsas plásticas y colóquelas sobre los estantes de vidrio sobre el cajón de los vegetales.
- Por su seguridad, conserve de esta forma únicamente por uno o dos días máximo.
- Comidas cocinadas, platos fríos, etc.: deben cubrirse y colocarse en cualquier estante.
- Frutas y verduras: deben limpiarse cuidadosamente y colocarse en los cajones especiales.
- Manteca y queso: deben colocarse en contenedores herméticos especiales o envueltos en papel aluminio o bolsas plásticas para eliminar el mayor aire posible.
- Botellas de leche: deben estar tapadas y deben almacenarse en los cajones de la puerta.
- No deben guardarse bananas, papas, cebollas y ajo en el refrigerador a menos que estén envasados.

Uso diario

Limpieza

Por razones de higiene dentro de la unidad, incluyendo los componentes internos debe limpiarse regularmente.

Atención! El dispositivo no debe estar encendido durante la limpieza. Existe peligro de descarga eléctrica! Antes de limpiar comprueba que el dispositivo esté apagado y retire el enchufe de la toma de corriente. Nunca deje el dispositivo húmedo después de limpiarlo. La humedad de las piezas eléctricas puede causar peligro de descarga eléctrica! También el vapor caliente puede causar daños a las piezas de plástico. El aparato debe estar seco antes de encenderlo de nuevo.

Importante! Aceites esenciales y disolventes orgánicos pueden reaccionar con las piezas de plástico, tales como jugo de limón o, jugo de aranja, ácido butírico, agentes que contienen ácido acético.

No permita que estas sustancias entren en contacto con las partes del dispositivo.

No utilice limpiadores abrasivos.

Retire los alimentos del congelador. Manténgalos en un lugar fresco, bien cubierto.

Apague la máquina y retire el enchufe de la toma.

Limpie el dispositivo y las partes internas con un paño y con agua tibia. Después de la limpieza con agua limpia, séquelo completamente.

Una vez que todo esté seco encienda el dispositivo.

Descripción de descongelación (sin escarcha)

Es un frigorífico-congelador total no frost que se descongela automáticamente.

Uso diario

Solución de problemas



Atención! Antes de la resolución de problemas, desconecte el cable de alimentación. Sólo un electricista cualificado puede resolver un problema que no aparece en el prospecto.

¡Importante! El refrigerado emite sonidos durante su uso normal (compresor, circulación de refrigerante)

Problema	Posible causa	Solución
El dispositivo no funciona.	El enchufe principal no está enchufado o está suelto.	Conecte el enchufe principal.
	El fusible se ha fundido o está defectuoso	Compruebe el fusible, cámbielo si es necesario.
	El enchufe está defectuoso.	Los enchufes defectuosos deben ser reemplazados por un electricista.
El aparato está demasiado frío	La temperatura está configurada para enfriar demasiado o el dispositivo está en modo SUPER.	Configure el controlador en una configuración más cálida.
La comida no está suficientemente congelada.	La temperatura no está bien ajustada.	Consulte Configuración de temperatura.
	La puerta ha estado abierta durante mucho tiempo.	Mantenga la puerta abierta todo el tiempo que sea necesario.
	Se colocó una gran cantidad de comida caliente en el aparato durante las 24 horas anteriores.	Configure el controlador en configuraciones más frías.
	El aparato está cerca de una fuente de calor.	Lea la parte Ubicación de instalación.
Escarcha en el sello de la puerta.	El sello no está firmemente adherido.	Caliente con cuidado la parte de la puerta que está congelada con una secadora (en un ambiente frío). Al mismo tiempo, ajuste el sello a mano para instalarlo correctamente.
Ruido atípico.	El dispositivo no está nivelado.	Ajusta las pies
	El dispositivo toca una pared u otros objetos.	Mueva el dispositivo ligeramente.
	La parte del sistema, p. Ej. tubería, la parte posterior del dispositivo toca la pared u otra parte del dispositivo.	Si es necesario, retire con cuidado esa parte.
El agua está en el piso.	Deposito de agua está obstruido.	Por favor, refierase a la sección de Limpieza.

Si el fallo persiste, pongase en contacto con el Centro de Servicio.

Estos datos son necesarios para ayudarte de forma rápida y correcta. Escriba aquí los datos necesarios, consulte la placa de características.

DATOS TÉCNICOS

La información técnica se encuentra en la placa de características del lado interno del aparato y en la etiqueta energética. El código QR en la etiqueta energética, suministrada con el aparato, proporciona un enlace web a la información relacionada con el rendimiento del aparato en la base de datos EU EPREL.

Conserve la etiqueta energética como referencia, junto con el manual del usuario, y todos los demás documentos proporcionados con este aparato.

También es posible encontrar la misma información en EPREL, utilizando el enlace <https://eprel.ec.europa.eu> y el nombre del modelo y el número de producto que encontrará en la placa de características del aparato.

Consulte el enlace www.theenergylabel.eu para obtener información detallada sobre la etiqueta energética.

INFORMACIÓN PARA INSTITUTOS DE PRUEBAS

Para cualquier verificación de EcoDesign, el aparato debería cumplir con la norma EN 62552. Los requisitos de ventilación, las dimensiones del hueco y los espacios traseros mínimos, deben ser como ha sido establecido en este Manual del usuario. Por favor, comuníquese con el fabricante para cualquier otra información adicional, incluidos los planos de carga.

ATENCIÓN Y SERVICIO AL CLIENTE

Utilice siempre repuestos originales.

Cuando se comunique con nuestro Centro de servicio autorizado, asegúrese de tener los siguientes datos disponibles: Modelo, Número de serie e Índice de servicio.

La información se puede encontrar en la placa de características. El producto está sujeto a cambios sin previo aviso. Los repuestos originales de algunos componentes específicos están disponibles durante un mínimo de 7 o 10 años, según el tipo de componente, desde la puesta en el mercado de la última unidad del modelo.

Visite nuestro sitio web en:

www.voxelectronics.com



VOX
ELECTRONICS

POR

Manual de instruções

Frigorífico com congelador No frost

FD458IXE

FD458BLE

Conteúdo	
1. Avisos de segurança	página 1~11
2. A aparência geral do aparelho	página 12
3. Instalação	página 13~15
4. Uso diário	página 16~24
5. DADOS TÉCNICOS	página 25
6. INFORMAÇÃO PARA INSTITUTOS DE TESTES	página 25
7. SERVIÇO E CUIDADO AO CLIENTE	página 25

Pela sua segurança e a fim de garantir um uso correcto do aparelho, deve ler atentamente este manual antes de instalar e começar a utilizar este aparelho. Tenha também especial atenção as dicas e aos avisos de segurança.

Para evitar erros e acidentes desnecessários, é importante garantir que todas as pessoas que usam o aparelho estejam totalmente familiarizadas com seu funcionamento e sistemas de segurança. Guarde estas instruções e certifique-se de que acompanham o aparelho em caso de sua deslocação ou venda, para que todas as pessoas que o venham a utilizar no futuro estejam devidamente informadas sobre como utilizar o aparelho e de forma segura.

Mantenha constante respeito pelos avisos de segurança deste manual para evitar lesões pessoais ou danos no aparelho.

O fabricante não se responsabiliza por danos ou acidentes causados por acções que desrespeitem as instruções presentes neste manual.

Segurança de crianças e pessoas vulneráveis

- Este aparelho pode ser utilizado por crianças com idade superior a oito anos e pessoas com capacidades físicas, sensoriais ou mentais reduzidas ou com falta de experiência e conhecimento, conquanto que tenham supervisão ou recebido instruções sobre como utilizar o aparelho de forma segura e compreendam os

perigos envolvidos.

- Crianças com idade superior a oito anos podem colocar e retirar os alimentos deste aparelho.
- As crianças devem ser supervisionadas de perto para garantir que não brincam com o aparelho.
- A limpeza e manutenção feita pelo utilizador não deve ser realizada por crianças, a menos que tenham idade superior a oito anos e sejam supervisionadas por um adulto.
- As embalagens deste aparelho representam um risco de asfixia para as crianças. Mantenha as embalagens fora do alcance das crianças. Quando decidir descartar de vez este aparelho, retire a ficha da tomada e corte o cabo, executando o corte o mais próximo possível do aparelho. Remova também a porta do aparelho. Desta forma evita que crianças ao brincar com o aparelho possam apanhar choques eléctricos ou ficarem fechadas no seu interior.
- Se o seu aparelho antigo possui um sistema de cadeado ou fecho na porta ou outro compartimento, então certifique-se que destrói o cadeado ou fecho antes de descartar o aparelho. Tal impedirá por exemplo, que crianças ao brincar se fechem dentro do aparelho. Lembre-se que frigoríficos velhos descartados com fechos ou cadeados podem ser armadilhas mortais para crianças.

Segurança Geral

⚠ AVISO! Mantenha livres e desobstruídas todas as aberturas de ventilação do corpo do aparelho ou da estrutura embutida.

⚠ AVISO! Não use nenhum dispositivo mecânico ou outra ferramenta para acelerar o processo de descongelamento, excepto aqueles recomendados pelo fabricante.

⚠ AVISO! Não danifique o circuito refrigerante.

⚠ AVISO! Não coloque outros aparelhos eléctricos (p.e. máquinas de gelados, sumos, etc) no interior do frigorífico a menos que sejam aprovados para esse fim pelo fabricante dos mesmos aparelhos.

⚠ AVISO! Não toque na lâmpada do aparelho se esta estiver ligada durante um largo período de tempo, pois pode estar quente.¹⁾

⚠ AVISO! Quando colocar ou mover o aparelho, certifique-se que o cabo de alimentação não está preso nem danificado.

⚠ AVISO! Não coloque tomadas múltiplas, triplas ou geradores de energia na parte traseira do aparelho.


- Não armazene no interior deste aparelho substâncias explosivas como p.e. latas de aerossol com propelente inflamável.

1) Caso o compartimento tenha lâmpada.

Avisos de Segurança



- O circuito de refrigeração deste aparelho contém gás refrigerante isobutano R600a, um gás natural com elevado nível de compatibilidade ambiental mas que é também altamente inflamável.
- Durante o transporte e instalação do aparelho certifique-se que nenhum dos componentes do circuito refrigerante sofre danos.
- Evite proximidade de chamas abertas e fontes de ignição.
- Mantenha totalmente ventilada a sala em que o aparelho se localiza.
- Alterar as especificações ou modificar este produto de qualquer forma representa um elevado perigo. Qualquer dano no cabo pode causar curto-circuito, incêndio e/ou choque eléctrico.
- Este aparelho destina-se a uso doméstico ou semelhante, como por exemplo:
 - áreas de cozinha de recursos humanos em lojas, escritórios e outros locais de trabalho;
 - quintas e residências rurais ou uso por clientes de hotéis, motéis, pousadas e estabelecimentos hoteleiros semelhantes;
 - catering e outras aplicações não retalhistas semelhantes

 **AVISO!** Qualquer componente eléctrico como ficha, cabo de alimentação, motor ou outro, deve ser substituído por um agente certificado ou pessoal devidamente qualificado.

⚠ AVISO!! A lâmpada fornecida com este aparelho é uma “lâmpada de uso especial”, utilizável apenas para este aparelho. Esta "lâmpada de uso especial" não é utilizável para iluminação doméstica.¹⁾

- O cabo da alimentação não pode ser emendado e alongado.
- Certifique-se de que a ficha eléctrica não é prensada ou danificada na parte traseira do aparelho. Se a ficha se danificar pode causar sobreaquecimento do aparelho e no limite, um incêndio.
- Certifique-se de que a ficha do aparelho está sempre ao seu alcance.
- Não puxe o cabo de alimentação para retirar a ficha.
- Não ligue a ficha a uma tomada solta ou mal instalada, dado o risco de incêndio ou choque eléctrico.
- Não opere o aparelho sem a lâmpada.
- O aparelho é pesado e deve ser movido com cuidado.
- Não retire nem toque produtos armazenados no congelador se tiver as mãos húmidas ou molhadas, pois pode causar lesões na pele como queimaduras por gelo.
- Evite a exposição prolongada do aparelho à luz solar directa.

Uso diário

- Não coloque produtos quentes nas partes plásticas do aparelho.
- Não permita o contacto directo de produtos alimentares com a grelha traseira.

Avisos de segurança

- Alimentos descongelados não devem ser novamente congelados.¹⁾
- Armazene alimentos congelados pré-embalados de acordo com as instruções do fabricante dos seus alimentos congelados.¹⁾
- As recomendações de armazenamento dos fabricantes de electrodomésticos devem ser estritamente cumpridas. Por favor, consulte as instruções relevantes.
- Não coloque refrigerantes e bebidas gaseificadas no congelador, dado que o gás cria pressão na garrafa ou recipiente da bebida podendo resultar na sua explosão e danos no aparelho.¹⁾
- Os chamados "pauzinhos" dos gelados podem causar queimaduras de gelo se tocarem na pele imediatamente após serem retirados do congelador. Aguarde um pouco após retirá-los.¹⁾
- Para evitar a contaminação dos alimentos, respeite por favor as seguintes instruções
- Abrir a porta por longos períodos pode causar um aumento significativo da temperatura nos compartimentos do aparelho.

1) Caso o compartimento tenha lâmpada.

- Limpe regularmente as superfícies que podem entrar em contacto com alimentos e os sistemas de drenagem acessíveis.
- Limpe os depósitos da água se estes não forem usados durante 48 horas. Se não utilizar água durante cinco dias, lave todo o sistema embutido, especialmente se este for ligado directamente a um sistema de fornecimento de água.
- Carne e o peixe crus devem ser armazenados em recipientes adequados por forma a não entrarem em contacto nem pingar sobre outros alimentos.
- Os compartimentos de duas estrelas para alimentos congelados (se incluídos neste aparelho) são adequados para armazenar alimentos pré-congelados, fazer gelados ou cubos de gelo.
- Os compartimentos de uma, duas e três estrelas (se disponíveis no aparelho) não são adequados para congelar alimentos frescos.
- Se o aparelho permanecer vazio durante longos períodos, desligue-o, descongele, limpe, seque e deixe a porta aberta para evitar o desenvolvimento de mofo e manchas dentro do aparelho.

Manutenção e limpeza

- Antes de executar qualquer manutenção, desligue o aparelho retirando a ficha da tomada.
- Não limpe o aparelho com objectos metálicos.
- Não utilize objectos pontiagudos para remover o gelo do aparelho, prefira antes um raspador de

plástico.¹⁾

- Examine regularmente o ralo do frigorífico para ver se este tem água acumulada. Caso seja necessário, limpe o ralo. Se o ralo estiver bloqueado, a água irá acumular-se na parte inferior do aparelho.

Instalação

Importante! Para uma correcta ligação a corrente eléctrica siga as instruções disponíveis nos parágrafos específicos.

- Desembale o aparelho e verifique se este apresenta danos. Não ligue o aparelho se este estiver danificado. Em caso de danos, reporte imediatamente ao local onde comprou este aparelho e guarde também a embalagem.

- Aguarde um mínimo de quatro horas antes de ligar o aparelho a corrente para permitir que o óleo circule novamente de volta para o compressor.

- Assegure uma circulação de ar adequada no redor do aparelho, caso contrário poderá levar ao seu sobreaquecimento. Para obter ventilação suficiente, siga as instruções para a instalação.

- Sempre que possível, os distanciadores do aparelho devem estar encostados a uma parede para evitar tocar ou prender as partes quentes como o compressor ou condensador e evitar possíveis queimaduras.

1) Caso o compartimento tenha lâmpada.

- O aparelho não deve ser colocado perto de radiadores ou fogões.
- Certifique-se de que a ficha que liga a tomada permanece facilmente acessível mesmo após a instalação do aparelho.

Serviço e manutenção

- Qualquer trabalho necessário para a manutenção do circuito eléctrico do aparelho deve ser executado por um electricista qualificado ou pessoa competente.
- Este produto deve ser reparado num Centro de Serviço Autorizado e utilizando apenas peças sobressalentes certificadas.

Poupança de energia

- Não coloque os alimentos ainda quentes no aparelho;
- Não armazene os alimentos demasiado próximos pois tal impede a circulação de ar;
- Certifique-se que os alimentos não tocam na parte traseira do interior do compartimentos;
- Se a eletricidade falhar, não abra a(s) porta(s);
- Não abra a(s) porta(s) com muita frequência;
- Não mantenha a(s) porta(s) aberta(s) durante muito tempo;
- Não coloque o termóstato em temperaturas demasiado frias;
- Acessórios como gavetas, prateleiras e depósitos, devem ser mantidos nos seus lugares para ajudar a

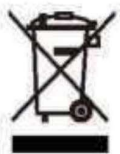
manter um baixo consumo de energia.

Protecção Ambiental

 Este aparelho não contém gases que possam danificar a camada de ozono, seja no circuito refrigerante ou nos materiais de isolamento.

O aparelho não deve ser descartado em conjunto com lixo doméstico. A espuma do isolamento contém gases inflamáveis e o aparelho deve ser eliminado de acordo com os regulamentos que pode obter junto das suas autoridades locais. Evite danificar a unidade de arrefecimento, em particular o permutador de calor.

Todos os materiais presentes neste aparelho e marcados pelo símbolo  são recicláveis.



Este símbolo no aparelho ou embalagem indica que este produto não pode ser tratado como lixo doméstico. Em alternativa, deve ser levado a um ponto de recolha apropriado para reciclagem de equipamentos eléctricos e electrónicos.

Ao assegurar que este aparelho é correctamente descartado, está a ajudar a prevenir potenciais consequências negativas para o meio ambiente e a saúde pública que poderiam ser causadas pelo manuseio inadequado dos resíduos presentes no aparelho. Para obter informações mais detalhadas sobre a reciclagem deste produto, entre em contacto com as suas autoridades locais, o centro de recolha adequado mais próximo da sua

residência ou o local onde adquiriu este produto.

Materiais de embalagem

Os materiais com o símbolo são recicláveis.

Descarte a embalagem em recipientes de colecta adequados para reciclagem.

Descarte do aparelho

1. Desligue a ficha de corrente da tomada.
2. Desligue o cabo de alimentação e descarte-o.

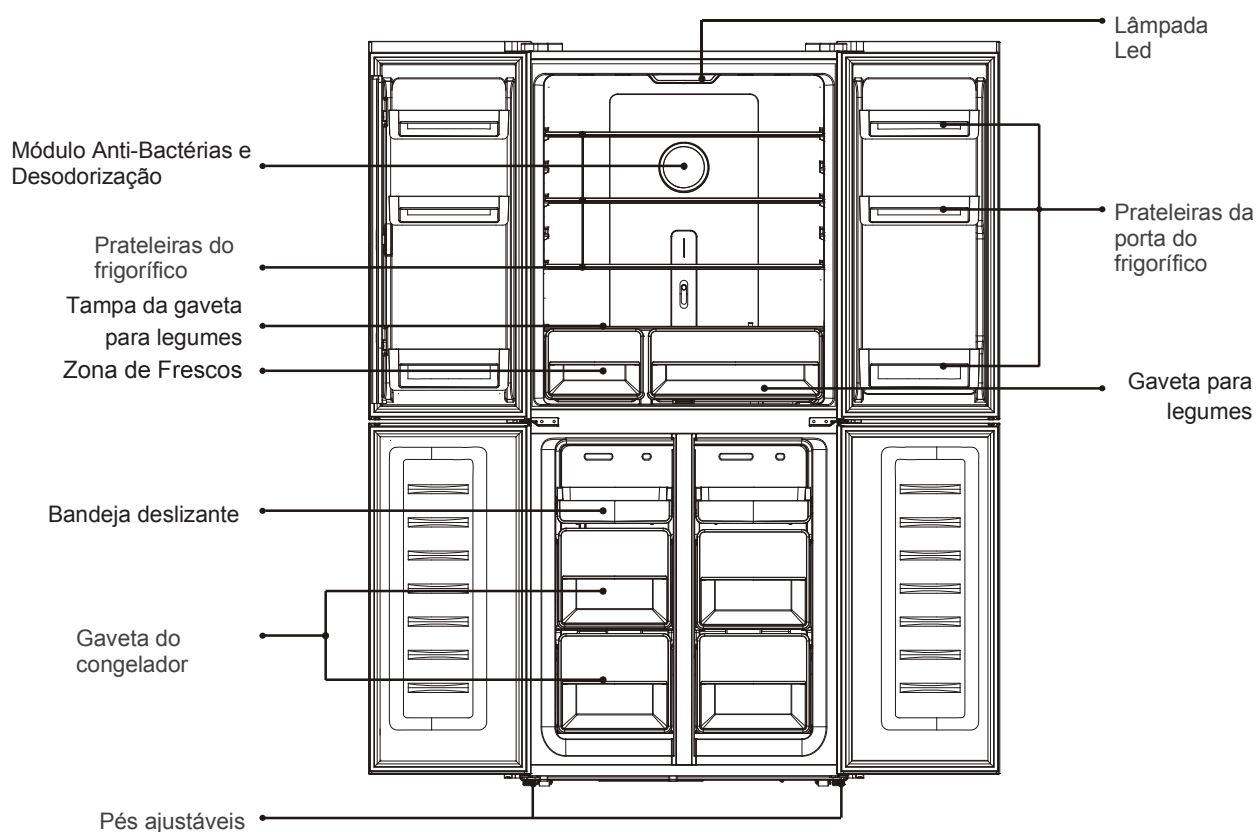
⚠ AVISO!



Durante a utilização, manutenção e eliminação do aparelho preste atenção ao símbolo semelhante ao disponível a esquerda e que se encontra na parte traseira do aparelho (painel traseiro ou compressor) com cor amarela ou laranja. Trata-se de um símbolo para alerta de risco de incêndio. Existem materiais inflamáveis nos tubos do refrigerante e do compressor.

Durante a utilização, manutenção ou descarte do aparelho, mantenha sempre uma distância segura de chamas ou fontes de ignição.

A aparência geral do aparelho

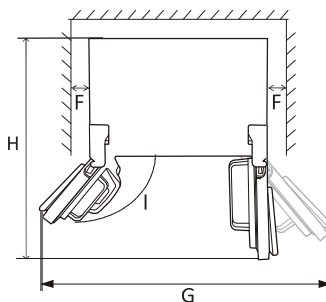
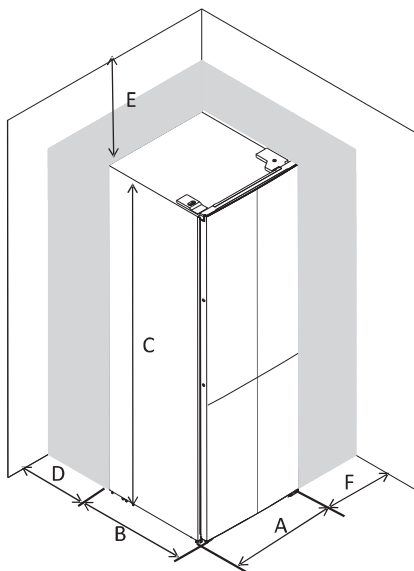


Esta é uma ilustração meramente indicativa, para mais detalhes verifique o seu aparelho.

Instalação

Espaço requisitado

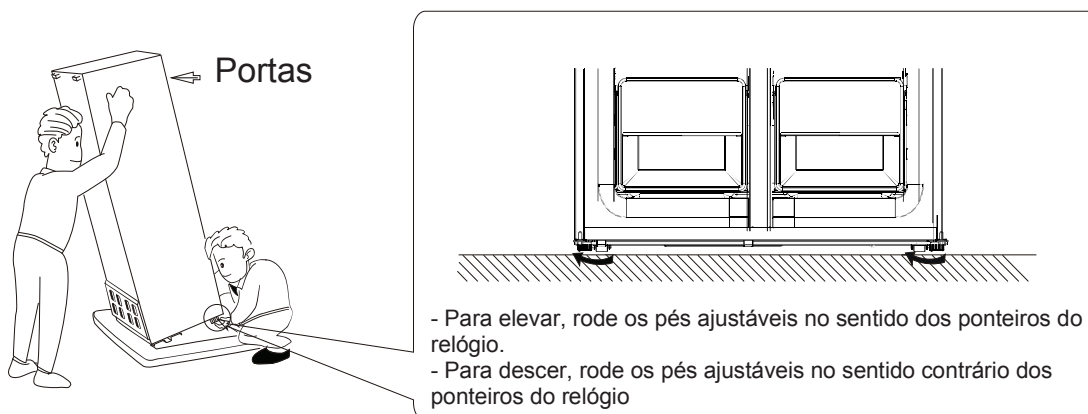
- Mantenha espaço livre que permita a abertura da porta.



	FD458IXE	FD458BLE
A	795	795
B	700	692
C	1800	1800
D	min=50	min=50
E	min=50	min=50
F	min=50	min=50
G	1580	1580
H	1490	1490
I	135°	135°

Nivelar o frigorífico

Para executar esta tarefa, ajuste os dois pés niveladores presentes na parte frontal do aparelho.



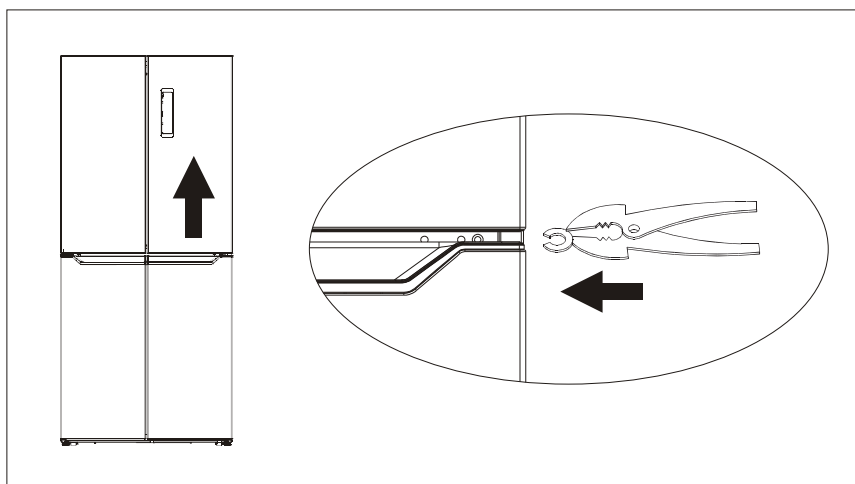
Nivelar as portas

Depois de mover o aparelho ou carregar as prateleiras das portas, as duas portas superiores podem não estar alinhadas. Estão disponíveis anilhas tipo 3C que são utilizadas para ajustar as portas. Para tal deve seguir o processo abaixo descrito para nivelar as portas.



1. Antes de verificar o alinhamento das portas, certifique-se que o aparelho está nivelado.
2. Se o topo das portas superiores não lhe parecer alinhado então levante ligeiramente a porta inferior e insira uma anilha tipo C com um clipe, entre a parte inferior da porta e a dobradiça central.

Instalação

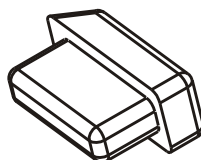


AVISO! Tenha o cuidado de evitar ferimentos nos dedos que se podem cortar na porta e utilize ferramentas adequadas.

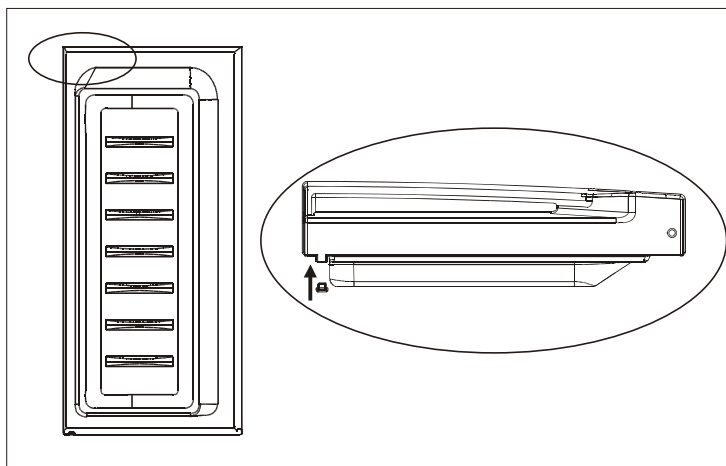
AVISO! As alinhas tipo C são peças pequenas e como tal devem ser mantidas em local seguro para evitar que sejam engolidas por crianças.

Blocos de Borracha

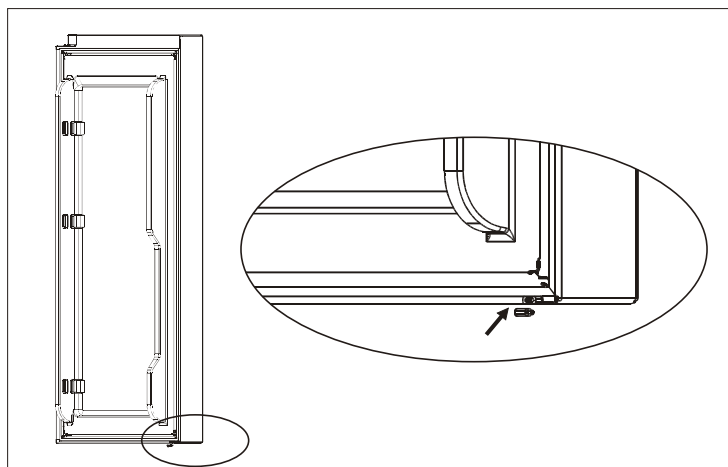
Cada porta tem um bloco de borracha e cada bloco funciona como mola para aliviar o impacto criado sempre que a porta se fecha.



Por favor, não puxe estes blocos de borracha. Se o seu aparelho não tem estes blocos, retire-os do saco de acessórios incluído na venda e coloque-os no devido orifício da porta.



Instalação



Aviso! Estes blocos são de dimensão reduzida e como tal devem ser mantidos em local seguro para evitar que sejam engolidos por crianças.

A escolha do local

Escolher o local:

Instale este aparelho num local onde a temperatura ambiente corresponde à classe climática indicada na placa de identificação disponível. Para aparelhos de refrigeração com classe climática:

- Temperado extenso: este aparelho deve ser usado em temperaturas ambientes que variam de 10°C a 32°C (SN);
- Temperado: este aparelho deve ser usado em temperaturas ambientes de 16°C a 32°C (N);
- Subtropical: este aparelho destina-se a ser utilizado em temperaturas ambiente de 16°C a 38°C (ST);
- Tropical: este aparelho destina-se a ser utilizado em temperaturas ambiente de 16°C a 43°C (T)

Localização

O aparelho não deve ser instalado próximo de fontes de calor como aquecedores de radiador, caldeiras, exposto a luz solar direta, etc. Certifique-se de que o ar circula livremente na parte traseira do frigorífico. Se posicionar este aparelho por debaixo de algum móvel suspenso garanta uma distância mínima de pelo 50 mm entre o topo do frigorífico e o móvel. Tal irá garantir melhor desempenho do aparelho. Idealmente, este frigorífico não deve ser posicionado debaixo em zonas com tecto baixo. A precisão do nivelamento é garantido por um ou mais pés ajustáveis na base do aparelho.

Este aparelho de refrigeração não se destina a ser usado como aparelho embutido.

Aviso! Certifique-se de que será sempre possível desligar rapidamente o aparelho da rede eléctrica, como tal a ficha deve estar sempre próxima e acessível, mesmo após a instalação.

Ligação eléctrica

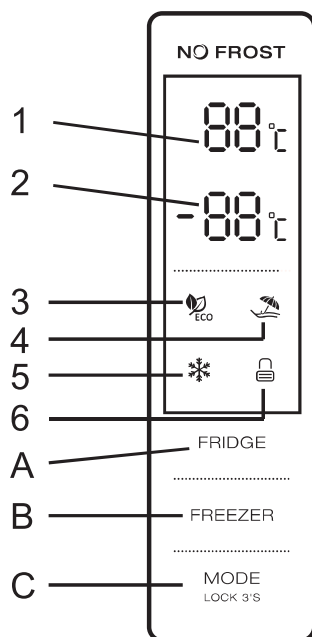
Antes de ligar o aparelho a corrente, certifique-se de que a voltagem e a frequência exibidas na placa de identificação correspondem à rede eléctrica da sua casa. O aparelho deve ser instalado com fio terra, a ficha e o cabo de alimentação são fornecidos

com uma entrada terra. Se a tomada eléctrica da sua casa não possuir uma ligação terra, então conecte o aparelho a um aterramento separado de acordo com os regulamentos atuais, consultando para o efeito um electricista qualificado.

O fabricante declina qualquer responsabilidade se as precauções de segurança acima descritas não forem respeitadas. Este aparelho está em conformidade com as directivas C.E.E.

Uso diário

Utilizar o Painel de Controle



1.1 BOTÕES

- A. Controle de Temperatura do Compartimento do Frigorífico
- B. Controle de Temperatura do Compartimento de Congelamento
- C. Modo/ Bloqueio/Desbloqueio

1.2 ECRÃ LED

- 1. Controlo de Temperatura do Frigorífico
- 2. Controlo de Temperatura do Congelador
- 3. Modo ECO
- 4. Modo Férias
- 5. Modo Super
- 6. Bloqueio / Desbloqueio

2.0 CONDIÇÃO OPERACIONAL

- a. O painel de controle ilumina-se totalmente durante 3 segundos e funciona exatamente como na configuração (modo e temperatura) existente antes do corte de energia. O sistema bloqueia automaticamente passados 25 segundos da última operação. Após o bloqueio, a luz do painel apaga-se 120 segundos depois do último toque em qualquer tecla.
- b. Ambas as temperaturas predefinidas para os compartimentos do frigorífico e do congelador são exibidas no visor.

2.1 PAINEL

- 2.1.1 O painel acende e permanece iluminado durante 2 minutos após abertura de qualquer das portas dos compartimentos frigorífico ou congelador. (um sinal por cada uso de qualquer porta é detectado de cada vez).

Uso diário

2.1.2 O painel acende e permanece iluminado em qualquer operação com a chave, com a luz a desligar-se 2 minutos após a última operação.

2.1.3 Visualização durante o funcionamento normal
Indicação da temperatura do Compartimento do Frigorífico: Indica a temperatura da configuração actual.

Indicação da temperatura do compartimento de congelação: Indica a temperatura da configuração actual.

3.0 ILUSTRAÇÃO DE BOTÕES

3.1 Controlo da Temperatura do Compartimento do Frigorífico

- a. Controlo da Temperatura do Compartimento do Frigorífico:
Esta chave funciona quer no Modo Definido pelo Utilizador quer no Modo Super. A tecla piscará após aceder ao controlo da temperatura do compartimento frigorífico. Ao pressionar esta tecla de forma consecutiva, a temperatura avançará no ciclo "2°C, 3°C, 4°C, 5°C, 6°C, 7°C, 8°C, OFF" e após 5 segundos de intermitência, a temperatura seleccionada fica memorizada.
- b. Desligar o Compartimento do Frigorífico:
Pressione a tecla "Controlo de Temperatura do Compartimento frigorífico" e escolha "OFF". Passados 5 segundos com a luz a piscar, a selecção da temperatura está feita e o compartimento frigorífico pára de refrigerar.

3.2 Controlo da Temperatura do Compartimento do Congelador

Controle de Temperatura do Compartimento do Congelador: Esta chave é funcional tanto em Modo Utilizador como no Modo de Férias. A tecla começará a piscar após aceder ao controlo de temperatura do compartimento do congelador. Ao tocar na tecla de forma consecutiva, a temperatura mudará num círculo de -1 °C até -22°C, e após piscar durante 5 segundos a selecção da temperatura estará concluída.

3.3 Modo/Bloqueio/Desbloqueio

- a. Ao pressionar esta tecla consecutivamente, o modo de operação do refrigerador mudará dentro de um círculo de "Modo ECO - Modo Firme - Modo Super - Modo Definido pelo Usuário". Um sinal de piscar durante 5 segundos significará que a selecção da temperatura está acertada.
- b. Pressione durante alguns segundos para entrar / sair do modo de bloqueio
- Desbloquear: Pressione durante 3 segundos no modo de bloqueio e todas as teclas ficam desbloqueadas após ouvir um sinal sonoro.
 - Bloquear: Pressione durante 3 segundos no modo de desbloqueio e todas as teclas ficam bloqueadas após ouvir um sinal sonoro.

3.4 Botão de pressão

Emitirá um curto bip sonoro após pressionar o botão
Todos os botões só estão disponíveis em modo de desbloqueio.

3.5 Função Bloquear

Se não realizar nenhuma operação durante 25 segundos o visor bloqueará automaticamente.

Uso diário

4.0 Modo ECO

Pressione em modo para escolher o modo ECO e o ícone ECO mantém-se aceso após 5 segundos a piscar. no modo eco serão 5° no compartimento frigorífico e -18° no compartimento do congelador. O botão "Congelador"&"Frigorífico" não estará disponível se o ícone ECO piscar três vezes em som de alarme.

Sair do modo eco

Pressione novamente em modo para sair do modo eco e aceder ao modo seleccionado passados 5 segundos.

4.1 Modo de Férias

Prima o modo para escolher o Modo de Férias, o ícone acende passados 5 segundos a piscar, entrando no modo de férias.

A temperatura fixa-se nos 17° no compartimento frigorífico e o botão "frigorífico" fica indisponível até o ícone de férias piscar três vezes em som de alarme.

Sair do modo férias: escolher o modo, sair do modo férias e entrar no modo seleccionado passados 5 segundos.

4.2 Modo Super Congelamento

Escolha o modo, o ícone acende após piscar durante 5 segundos e entra no modo de congelamento. Modo de congelamento:

Temperatura não ajustável no compartimento de congelação e o botão "congelador" fica indisponível até o ícone de de scongelação piscar três vezes em som de alarme.

Sair do modo de congelamento: cumprir com as condições descritas abaixo.

-sair manualmente do modo de congelamento

-período de congelamento superior a 50 horas

O modo permanece o mesmo antes de entrar no modo de super congelamento.

Uso diário

Primeira utilização

Limpe o interior

Antes de utilizar pela primeira vez este aparelho, lave o interior e todos os acessórios internos com água morna e um pouco de sabão neutro para remover o cheiro típico de um produto novo e posteriormente seque-o bem.

Nota importante: Não use detergentes ou químicos abrasivos pois podem danificar o acabamento.


Uso Diário

Coloque os vários tipos de alimentos nos diversos compartimentos do frigorífico, de acordo com a seguinte tabela:

Compartimentos do frigorífico	Tipo de alimentos
Porta ou prateleiras da porta	<ul style="list-style-type: none">Alimentos com conservantes naturais como geleias, sumos naturais, bebidas ou condimentos.Não coloque alimentos perecíveis.
Gaveta de legumes e saladas	<ul style="list-style-type: none">Frutas, especiarias e vegetais devem ser colocados separados nesta gaveta.Não armazene nos frigorífico bananas, cebolas, batatas ou alho.
Prateleira média	<ul style="list-style-type: none">Produtos lácteos e ovos
Prateleira superior	<ul style="list-style-type: none">Alimentos que não necessitam de ser cozinhados como refeições pré-cozinhadas, carnes fumadas ou sobras de refeições.
Gavetas do congelador	<ul style="list-style-type: none">Alimentos para armazenamento de longo prazo.A gaveta inferior é indicada para carnes cruas, aves e peixes.A gaveta central é indicada para vegetais congelados, batatas fritas.A gaveta superior é indicada para gelados, frutas congeladas, produtos de padaria congelados.

Uso diário

Configuração da temperatura recomendada

Configuração da temperatura recomendada		
Temperatura Ambiente	Temperatura a definir	
Verão (Acima de 38 °C)		Frigorífico a 4°C
		Congelador a -18°C
Normal		Frigorífico a 4°C
		Congelador a -18°C
Inverno (Abaixo de 16 °C)		Frigorífico a 4°C
		Congelador a -18°C

- A informação acima presente visa dar recomendações sobre definição de temperaturas.

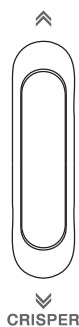
Impacto no Armazenamento de Alimentos

- Na configuração recomendada, o melhor tempo de armazenamento no frigorífico é de não mais do que 3 dias.
- Na configuração recomendada, o melhor tempo de armazenamento do congelador é de não mais do que um mês.
- O melhor tempo de armazenamento pode ser reduzido em outras configurações.

Uso diário

Controlo de temperatura de zona de Frescos

- A temperatura da zona de Frescos pode ser ajustada de acordo com o tipo de alimentos armazenados.
- Puxe o botão para cima a partir de baixo e a temperatura na zona de Frescos diminui gradualmente.
- Quando o botão for colocado na posição "Gaveta de Legumes", a zona de Frescos pode funcionar como uma zona mais fresca e manter a temperatura e humidade adequadas para frutas e legumes.
- O botão colocado na posição superior é adequado para o armazenamento a curto prazo de peixe ou outros alimentos frescos. Os alimentos manter-se-ão frescos mas não congelados, o que os torna na melhor escolha para o armazenamento de alimentos frescos.
- Dica: Quando o botão é colocado na posição superior, recomenda-se ajustar a temperatura do frigorífico abaixo dos 4°C e manter o tempo de espera para não mais de 3 dias, de modo a manter a melhor frescura.



Ajuste de humidade para zona de Frescos

- Com o botão colocado na posição "ALTA-HIGH", a humidade da zona de Frescos é alta, algo que é adequado para vegetais.
- Com o botão colocado na posição "BAIXO-LOW", a humidade da zona de Frescos é mais baixa, algo que é adequado para frutas.



Congelar alimentos frescos

- O compartimento do congelador é adequado para congelar alimentos frescos e armazenar alimentos congelados e ultracongelados durante longos períodos.
- Coloque no congelador os alimentos frescos que deseja congelar.
- A quantidade máxima de alimentos que podem ser congelados em 24 horas está especificada na placa de características.
- O processo de congelamento dura 24 horas: durante este período, não adicione outros alimentos para serem congelados.

Armazenar alimentos congelados

Ao ligar o frigorífico pela primeira vez ou após um longo período sem uso, deve ligar o aparelho e deixá-lo a funcionar vazio durante duas horas e nas configurações mais altas. Só depois é que deve colocar os alimentos.

Importante: No caso de ocorrer um descongelamento acidental, causado p.e. por um corte da energia por um período superior ao indicado na tabela de detalhes técnicos (tempo de fermentação), os alimentos descongelados devem ser consumidos rapidamente ou cozinhados imediatamente e depois novamente congelados.

Descongelar

Antes de serem utilizados, os alimentos ultracongelados ou congelados podem ser descongelados no compartimento do frigorífico ou à temperatura ambiente, dependendo do tempo disponível para esta operação.

Os pedaços pequenos podem até ser cozinhados ainda congelados, sendo que nesse caso, o tempo de cozedura será um pouco superior

Cubos de gelo

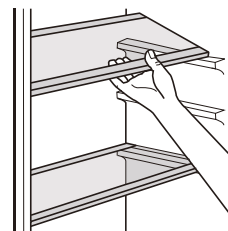
Este aparelho pode ser equipado com uma ou mais formas para produção de cubos de gelo.

Uso diário

Acessórios

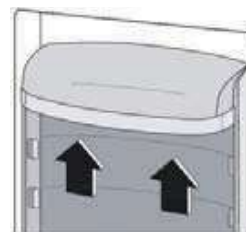
Prateleiras amovíveis

As paredes do frigorífico são equipadas com uma série de corredores para que as prateleiras possam ser posicionadas conforme desejar.



Colocar as prateleiras da porta

Para permitir o armazenamento de embalagens de alimentos de vários tamanhos, as prateleiras das portas podem ser colocadas em diferentes alturas. Para ajustar a altura, proceda da seguinte forma: puxe gradualmente a prateleira na direcção das setas até que esta se solte, de seguida, reposicione conforme desejar.



Dicas e sugestões úteis

Para aproveitar da melhor maneira do processo de congelamento, sugerimos algumas dicas importantes:

- a quantidade máxima de alimentos que podem ser congelados durante 24 horas está descrita na placa de identificação;
- o processo de congelamento leva 24 horas e nenhum outro alimento a ser congelado deve ser adicionado durante este período;
- congele apenas alimentos de alta qualidade, frescos e bem limpos;
- prepare os alimentos em pequenas porções para permitir que sejam rápida e completamente congelados e posteriormente possa descongelar apenas a quantidade que necessitar.
- embrulhe os alimentos em folha de alumínio ou sacos de polietileno e certifique-se de que as embalagens estão herméticas;
- não permita que alimentos frescos e não congelados toquem em alimentos já congelados, evitando assim o aumento da temperatura destes;
- alimentos magros armazenam melhor e por mais tempo do que os gordurosos dado que o sal reduz o tempo de armazenamento;
- Os gelados não devem ser consumidos imediatamente após serem retirados do congelador pois podem causar queimaduras na pele;
- é aconselhável apontar a data de congelamento em cada embalagem individual para permitir que a altura da retirada do congelador seja controlada e para manter um registo do tempo de armazenamento.

Dicas para armazenamento de alimentos congelados

Para obter o melhor desempenho deste aparelho:

- certifique-se que os alimentos congelados industrialmente estão armazenados de forma adequada no supermercado;
- certifique-se que os alimentos congelados são transferidos do local de compra para o congelador no menor espaço de tempo possível;
- não abra a porta com frequência nem a deixe aberta por mais tempo do que o absolutamente necessário. • após descongelados, os alimentos deterioram-se rapidamente e não podem ser novamente congelados;
- não exceda o período de armazenamento indicado pelo fabricante dos alimentos.

Dicas para refrigeração de alimentos frescos

Para obter o melhor desempenho:

- Não armazene alimentos quentes ou líquidos ainda em evaporação no frigorífico.
- Cubra ou embrulhe os alimentos, principalmente se tiverem um sabor ou odor mais forte.
- Carne (de todos os tipos): embrulhe em sacos de polietileno e coloque nas prateleiras de vidro acima da gaveta de vegetais.
- Por segurança, armazene desta forma durante apenas um ou no máximo dois dias.
- Alimentos cozinhados ou sobras devem ser tapados e podem ser colocados em qualquer prateleira.
- Frutas e vegetais: devem ser cuidadosamente limpos e colocados nas gavetas especiais fornecidas.
- Manteiga e queijo devem ser colocados em recipientes herméticos especiais ou embrulhados em papel alumínio ou sacos de polietileno para retirar o máximo de ar possível.
- Garrafas de leite: devem ter tampa e ser guardadas nas prateleiras da porta.
- Bananas, batatas, cebolas e alho não devem ser guardados no frigorífico, excepto se forem comprados embalados.

Uso diário

Limpeza

Por razões de higiene e segurança alimentar, o interior do aparelho e os acessórios interiores, devem ser limpos regularmente.



Atenção. O aparelho não pode estar ligado à corrente eléctrica durante a limpeza dado que tal representaria perigo de choque eléctrico.

Antes de limpar o aparelho, desligue-o e retire a ficha da tomada ou desligue ou remova o disjuntor ou fusível.

Nunca limpe o aparelho com um equipamento de limpeza que use vapor, pois a humidade pode-se acumular nos componentes eléctricos, o que representaria um claro perigo de choque eléctrico! Por outro lado, os vapores quentes podem causar danos às peças de plástico. O aparelho deve estar seco antes de ser colocado novamente em serviço.

Nota importante: Os óleos essenciais, solventes orgânicos, sumo de limão ou de laranja (incluindo da casa), agentes de limpeza que contenham ácido butírico ou ácido acético podem também danificar as peças de plástico.

- Não permita que tais substâncias entrem em contacto com as peças do aparelho.
- Não use produtos de limpeza abrasivos.
- Retire os alimentos do congelador. Guarde-os em local fresco e bem coberto.
- Desligue o aparelho e retire a ficha da rede ou desligue ou retire o disjuntor ou fusível.
- Limpe o aparelho e os acessórios interiores com um pano e água morna. Após a limpeza, enxague e seque.
- Após secar, ligue novamente o aparelho.

Descrição do degelo (Sem gelo - No frost)

Este é um aparelho que impede a formação de gelo no seu interior e que descongela automaticamente.

Uso diário

Resolução de problema

Atenção! Antes de procurar resolver algum problema, desligue a ficha da tomada. Somente um electricista ou técnico qualificado deverá prestar os serviços necessários para resolver problemas que não constem deste manual.

Importante! Por vezes o aparelho emite alguns sons durante o seu uso normal provenientes do compressor ou da circulação do líquido refrigerante.

Problema	Causa provável	Solução
O aparelho não funciona	A ficha não está ligada ou está mal ligada.	Ligue bem a ficha.
	O fusível fundiu ou está defeituoso	Verifique o fusível e substitua-o se necessário.
	A tomada tem algum problema.	A tomada deve ser arranjada por um electricista.
O aparelho congela ou arrefece demasiado.	A temperatura está definida num valor demasiado frio ou o aparelho encontra-se no modo SUPER.	Altere temporariamente a temperatura para um valor um pouco mais quente.
Os alimentos estão demasiado quentes	A temperatura não está devidamente ajustada	Consulte a secção "Definição de temperatura".
	A porta esteve aberta durante demasiado tempo.	Abra a porta apenas durante o tempo necessário e não a deixe aberta.
	Nas últimas 24 horas colocou uma quantidade elevada de alimentos ainda quentes dentro do frigorífico.	Altere temporariamente a temperatura para um valor um pouco mais frio.
	O aparelho está colocado próximo de uma fonte de calor.	Consulte a secção "Instalação" e tenha atenção a localização do aparelho.
Muito gelo acumulado na borracha da porta	A borracha não está hermética	Cuidadosamente, aqueça as partes da borracha que não estão a isolar bem. Faça-o com um aquecedor (com ar frio) e em simultâneo molde as partes da borracha com a mão, até selarem bem.
Ruídos estranhos	O aparelho não está bem nivelado.	Ajuste novamente os pés ajustáveis.
	O aparelho está em contacto com a parede ou com outros objectos.	Afaste ligeiramente o aparelho.
	Um componente, p.e. um tubo, pode estar a tocar noutra peça do aparelho ou na parede.	Se necessário, afaste cuidadosamente esse componente.
Água no chão	O furo de drenagem da água está bloqueado.	Verifique a secção sobre Limpeza.

Caso os problemas se tornem recorrentes, deve contactar um agente autorizado.

Estes dados são úteis para lhe prestar um serviço técnico mais célere e correcto. Escreva aqui os dados técnicos disponíveis na placa técnica presente neste aparelho.

DADOS TÉCNICOS

A informação técnica encontra-se na placa de classificação localizada no lado interno do aparelho e na etiqueta energética. O código QR na etiqueta energética fornecida com o aparelho fornece uma ligação web para a informação relacionada com o desempenho do aparelho, informação que se encontra disponível na base de dados EPREL da UE. Guarde a etiqueta energética para referência futura, juntamente com o manual do utilizador e todos os outros documentos fornecidos com este aparelho. Pode também encontrar a mesma informação na EPREL através do link <https://eprel.ec.europa.eu> bem como o nome do modelo e número do produto que se encontra na placa de classificação do aparelho. Ver o link www.theenergylabel.eu para mais informações detalhadas sobre a etiqueta energética.

INFORMAÇÃO PARA INSTITUTOS DE TESTES

O aparelho destinado a qualquer verificação do seu EcoDesign deve estar em conformidade com a norma EN 62552. Os requisitos de ventilação, dimensões do suporte para enbutir e folgas mínimas da retaguarda devem ser conforme as indicações presentes deste Manual do Utilizador. Por favor, contacte o fabricante caso necessite de mais alguma informação, incluindo planos de carga.

SERVIÇO E CUIDADO AO CLIENTE

Ao contactar com o nosso Centro de Serviço Autorizado, certifique-se de que tem consigo os seguintes dados disponíveis: Modelo, Número de Série e Índice de Serviço. A informação pode ser encontrada na placa de classificação do aparelho. Sujeito a alterações sem aviso prévio. As peças sobressalentes originais para alguns componentes específicos estão disponíveis por um mínimo de 7 ou 10 anos, com base no tipo de componente e contando a partir da data da colocação no mercado da última unidade do modelo.

Visite o nosso site em:
www.voxelectronics.com

