



ENG

SRP

SLV

HRV/  
BOS

SPA

POR

## NF-3870F

OPERATING INSTRUCTIONS **COMBI FRIDGE FREEZER NO FROST**  
UPUTSTVO ZA UPOTREBU **NO FROST FRIŽIDER SA ZAMRZIVAČEM**  
NAVODILA ZA UPORABO **NO FROST HLADILNIK S ZAMRZOVALNIKOM**  
UPUTE ZA UPORABU **NO FROST HLADNJAK SA ZAMRZIVAČEM**  
**MANUAL DO USUÁRIO FRIGORÃ FICO CON CONGELADOR**  
**MANUAL DO USUÁRIO FRIGORÍFICO COM CONGELADOR NO FROST**

**EAC**



ENG

# **User Instruction**

**Combi Fridge Freezer  
No-Frost**

**NF-3870F**

**EAC**

# Content

1. Safety Information	Page 1~9
2. Over view	Page 10
3. Installation	Page 11~15
4. User interface	Page 16~17
5. Daily Use	Page 18~21
6. TECHNICAL DATA	Page 22
7. INFORMATION FOR TEST INSTITUTES	Page 22
8. CUSTOMER CARE AND SERVICE	Page 22

In the interest of your safety and to ensure the correct use, before installing and first using the appliance, read this user manual carefully, including its hints and warnings. To avoid unnecessary mistakes and accidents, it is important to ensure that all people using the appliance are thoroughly familiar with its operation and safety features. Save these instructions and make sure that they remain with the appliance if it is moved or sold, so that everyone using it through its life will be properly informed on appliance use and safety.

For the safety of life and property keep the precautions of these user's instructions as the manufacturer is not responsible for damages caused by omission.






### **Children and vulnerable people safety**

- This appliance can be used by children aged from 8 years and above and persons with reduced physical, sensory or mental capabilities or lack of experience and knowledge if they have been given supervision or instruction concerning use of the appliance in a safe way and understand the hazards involved.
- Children aged from 3 to 8 years are allowed to load and unload this appliance.
- Children should be supervised to ensure that they do not play with the appliance.
- Cleaning and user maintenance shall not be made by children unless they are aged from 8 years and above and supervised.
- Keep all packaging well away from children. There is risk of suffocation.




- If you are discarding the appliance pull the plug out of the socket, cut the connection cable (as close to the appliance as you can) and remove the door to prevent playing children to suffer electric shock or to close themselves into it.
- If this appliance featuring magnetic door seals is to replace an older appliance having a spring lock (latch) on the door or lid, be sure to make that spring lock unusable before you discard the old appliance. This will prevent it from becoming a death trap for a child.

### General safety


-  **WARNING!** Keep ventilation openings, in the appliance enclosure or in the built-in structure, clear of obstruction.
-  **WARNING!** Do not use mechanical devices or other means to accelerate the defrosting process, other than those recommended by the manufacturer.
-  **WARNING!** Do not damage the refrigerant circuit.
-  **WARNING!** Do not use other electrical appliances (such as ice cream makers) inside of refrigerating appliances, unless they are approved for this purpose by the manufacture.
-  **WARNING!** Do not touch the light bulb if it has been on for a long period of time because it could be very hot.<sup>1)</sup>


1) If there is a light in the compartment.

 **WARNING!** When positioning the appliance, ensure the supply cord is not trapped or damaged.

 **WARNING!** Do not locate multiple portable socket-outlets or portable power suppliers at the rear of the appliance.

- Do not store explosive substances such as aerosol cans with a flammable propellant in this appliance.
- The refrigerant isobutane (R-600a) is contained within the refrigerant circuit of the appliance, a natural gas with a high level of environmental compatibility, which is nevertheless flammable.
- During transportation and installation of the appliance, be certain that none of the components of the refrigerant circuit become damaged.
  - avoid open flames and sources of ignition
  - thoroughly ventilate the room in which the appliance is situated
- It is dangerous to alter the specifications or modify this product in any way. Any damage to the cord may cause a short circuit, fire and/or electric shock.
- This appliance is intended to be used in household and similar applications such as
  - staff kitchen areas in shops, offices and other working environments;
  - farm houses and by clients in hotels, motels and other residential type environments;
  - bed and breakfast type environments;
  - catering and similar non-retail applications.

 **WARNING!** Any electrical components (plug, power cord, compressor and etc.) must be replaced by a certified service agent or qualified service personnel.

 **WARNING!** The light bulb supplied with this appliance is a “special use lamp bulb” usable only with the appliance supplied. This “special use lamp” is not usable for domestic lighting.<sup>1)</sup>

- Power cord must not be lengthened.
- Make sure that the power plug is not squashed or damaged by the back of the appliance. A squashed or damaged power plug may overheat and cause a fire.
- Make sure that you can come to the mains plug of the appliance.
- Do not pull the mains cable.
- If the power plug socket is loose, do not insert the power plug. There is a risk of electric shock or fire.
- You must not operate the appliance without the lamp.
- This appliance is heavy. Care should be taken when moving it.
- Do not remove nor touch items from the freezer compartment if you hands are damp/wet, as this could cause skin abrasions or frost/freezer burns.
- Avoid prolonged exposure of the appliance to direct sunlight.

### Daily use

- Do not put hot on the plastic parts in the appliance.
- Do not place food products directly against the rear wall.

1) If there is a light in the compartment.

- Frozen food must not be re-frozen once it has been thawed out.<sup>1)</sup>
- Store pre-packed frozen food in accordance with the frozen food manufacturer's instructions.<sup>1)</sup>
- Appliance's manufacturer's storage recommendations should be strictly adhered to. Refer to relevant instructions.
- Do not place carbonated or fizzy drinks in the freezer compartment as it creates pressure on the container, which may cause it to explode, resulting in damage to the appliance.<sup>1)</sup>
- Ice lollies can cause frost burns if consumed straight from the appliance.<sup>1)</sup>
- To avoid contamination of food, please respect the following instructions
- Opening the door for long periods can cause a significant increase of the temperature in the compartments of the appliance.
- Clean regularly surfaces that can come in contact with food and accessible drainage systems.
- Clean water tanks if they have not been used for 48h; flush the water system connected to a water supply if water has not been drawn for 5 days.
- Store raw meat and fish in suitable containers in the refrigerator, so that it is not in contact with or drip onto other food.
- Two-star frozen-food compartments (if they are presented in the appliance) are suitable for storing pre-frozen food, storing or making ice-cream and making ice cubes.

<sup>1)</sup> If there is a freezer compartment.

<sup>2)</sup> If there is a fresh-food storage compartment.

- One-, two- and three -star compartments (if they are presented in the appliance) are not suitable for the freezing of fresh food.
- If the appliance is left empty for long periods, switch off, defrost, clean, dry and leave the door open to prevent mould developing within the appliance.

### Care and cleaning

- Before maintenance, switch off the appliance and disconnect the mains plug from the mains socket.
- Do not clean the appliance with metal objects.
- Do not use sharp objects to remove frost from the appliance. Use a plastic scraper.<sup>1)</sup>
- Regularly examine the drain in the refrigerator for defrosted water. If necessary, clean the drain. If the drain is blocked, water will collect in the bottom of the appliance.<sup>2)</sup>

### Installation

**Important!** For electrical connection carefully follow the instructions given in specific paragraphs.

- Unpack the appliance and check if there are damages on it. Do not connect the appliance if it is damaged. Report possible damages immediately to the place you bought it. In that case retain packing.

1) If there is a freezer compartment.

2) If there is a fresh-food storage compartment.

- It is advisable to wait at least four hours before connecting the appliance to allow the oil to flow back in the compressor.
- Adequate air circulation should be around the appliance, lacking this leads to overheating. To achieve sufficient ventilation follow the instructions relevant to installation.
- Wherever possible the spacers of the product should be against a wall to avoid touching or catching warm parts (compressor, con-denser) to prevent possible burn.
- The appliance must not be located close to radiators or cookers.
- Make sure that the mains plug is accessible after the installation of the appliance.

## **Service**

- Any electrical work required to do the servicing of the appliance should be carried out by a qualified electrician or competent person.
- This product must be serviced by an authorized Service Center, and only genuine spare parts must be used.



## **Energy saving**


- Don't put hot food in the appliance;
- Don't pack food close together as this prevents air circulating;
- Make sure food don't touch the back of the compartment(s);



- If electricity goes off, don't open the door(s);
- Don't open the door(s) frequently;
- Don't keep the door(s) open for too long time;
- Don't set the thermostat on exceeding cold temperatures;
- All accessories, such as drawers, shelves balconies, should be kept there for lower energy consumption.

## Environment Protection

 This appliance does not contain gasses which could damage the ozone layer, in either its refrigerant circuit or insulation materials. The appliance shall not be discarded together with the urban refuse and rubbish. The insulation foam contains flammable gases: the appliance shall be disposed according to the appliance regulations to obtain from your local authorities. Avoid damaging the cooling unit, especially the heat exchanger. The materials used on this appliance marked by the symbol  are recyclable.

 The symbol on the product or on its packaging indicates that this product may not be treated as household waste. Instead it should be taken to the appropriate collection point for the recycling of electrical and electronic equipment. By ensuring this product is disposed of correctly, you will help prevent potential negative consequences for the environment and human health,

which could otherwise be caused by inappropriate waste handling of this product. For more detailed information about recycling of this product, please contact your local council, your household waste disposal service or the shop where you purchased the product.


### Packaging materials

The materials with the symbol are recyclable. Dispose the packaging in a suitable collection containers to recycle it.

### Disposal of the appliance

1. Disconnect the mains plug from the mains socket.
2. Cut off the mains cable and discard it.



 **WARNING!** During using, service and disposal the appliance, please pay attention to symbol similar as left side, which is located on rear of appliance (rear panel or compressor) and with yellow or orange color.

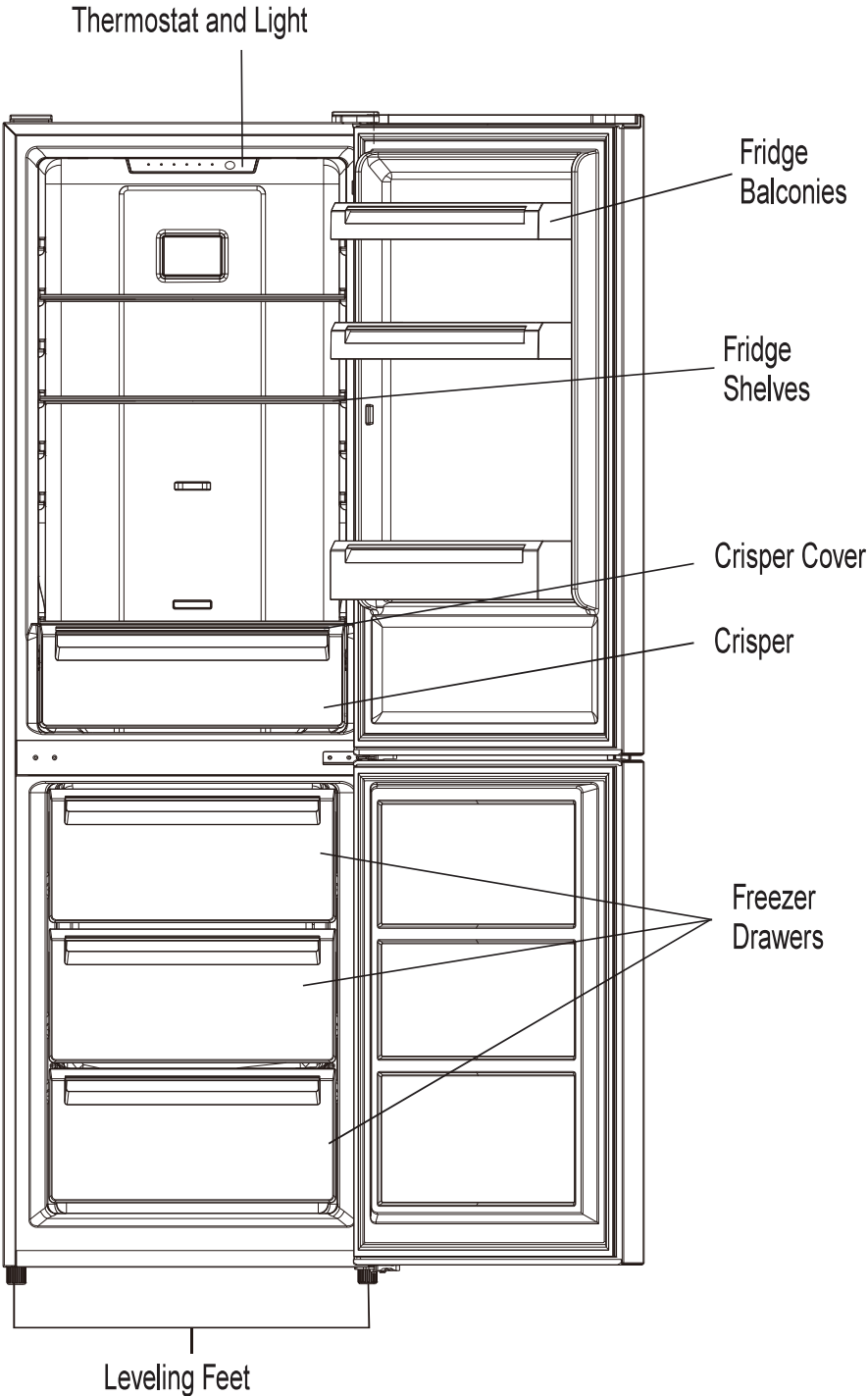
It's risk of fire warning symbol. There are flammable materials in refrigerant pipes and compressor.

Please be far away fire source during using, service and disposal.



# Overview

---



Note: Above picture is for reference only. Real appliance probably is different.

# Installation

---

## Space Requirement

- Select a location without direct exposure to sunlight;
- Select a location with enough space for the refrigerator doors to open easily;
- Select a location with level (or nearly level) flooring;
- Allow sufficient space to install the refrigerator on a flat surface;
- Allow clearance to the right, left, back and top when installing. This will help reduce power consumption and keep your energy bills lower.
- Keep at least 50mm gap at two sides and back.

## Positioning

Install this appliance at a location where the ambient temperature corresponds to the climate class indicated on the rating plate of the appliance:


for refrigerating appliances with climate class:

- extended temperate: this refrigerating appliance is intended to be used at ambient temperatures ranging from 10 °C to 32 °C;(SN)
- temperate: this refrigerating appliance is intended to be used at ambient temperatures ranging from 16 °C to 32 °C;(N)
- subtropical: this refrigerating appliance is intended to be used at ambient temperatures ranging from 16 °C to 38 °C;(ST)
- tropical: this refrigerating appliance is intended to be used at ambient temperatures ranging from 16 °C to 43 °C;(T)

## Location

The appliance should be installed well away from sources of heat such as radiators, boilers, direct sunlight etc. Ensure that air can circulate freely around the back of the cabinet. To ensure best performance, if the appliance is positioned below an overhanging wall unit, the minimum distance between the top of the cabinet and the wall unit must be at least 50 mm. Ideally, however, the appliance should not be positioned below overhanging wall units. Accurate leveling is ensured by one or more adjustable feet at the base of the cabinet.

This refrigerating appliance is not intended to be used as a built-in appliance.

 **Warning!** It must be possible to disconnect the appliance from the mains power supply; the plug must therefore be easily accessible after installation.

## Electrical connection

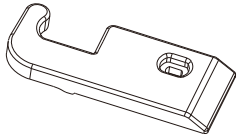
Before plugging in, ensure that the voltage and frequency shown on the rating plate correspond to your domestic power supply. The appliance must be earthed. The power supply cable plug is provided with a contact for this purpose. If the domestic power supply socket is not earthed, connect the appliance to a separate earth in compliance with current regulations, consulting a qualified electrician. The manufacturer declines all responsibility if the above safety precautions are not observed. This appliance complies with the E.E.C. Directives.

# Installation

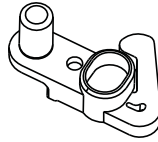
## Door Reversibility

Before reversing the door, please be prepared below tools and material: straight screwdriver, cross screwdriver, spanner and the components included in the poly bag:

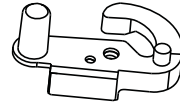
Left Door Hinge Cover x 1



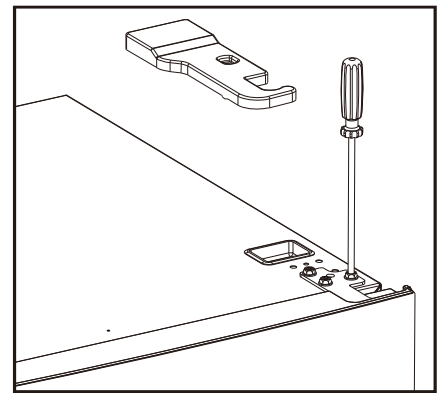
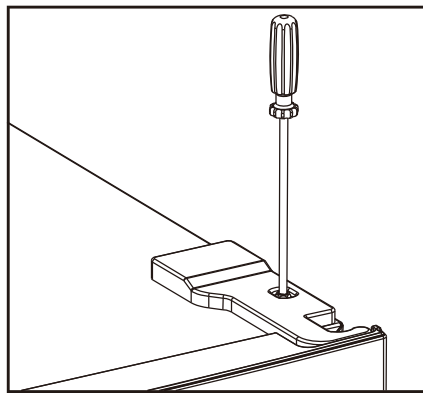
Left Aid-Closer on Upper Door x 1



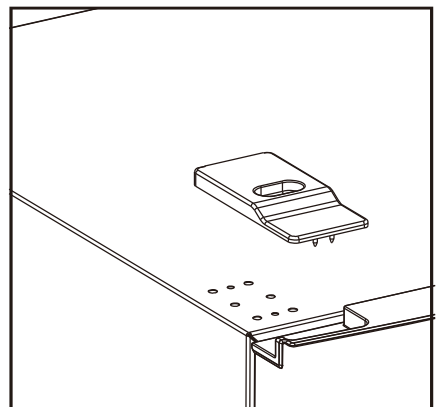
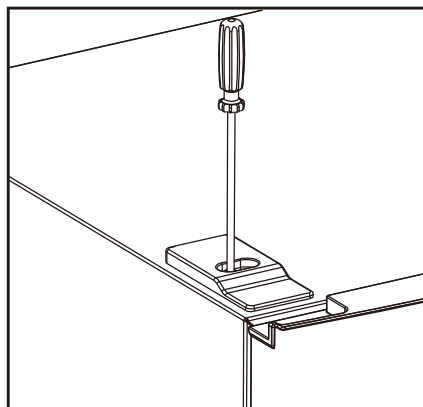
Left Aid-Closer on Lower Door x 1



1. Unscrew top hinge cover and then unscrew the top hinge .  
Then lift upper door and place it on a soft pad to avoid scratch and damage.



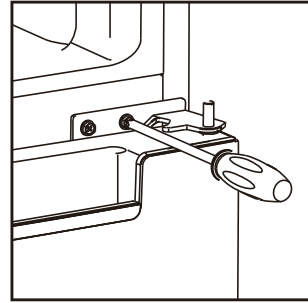
2. Remove the top left screw cover.



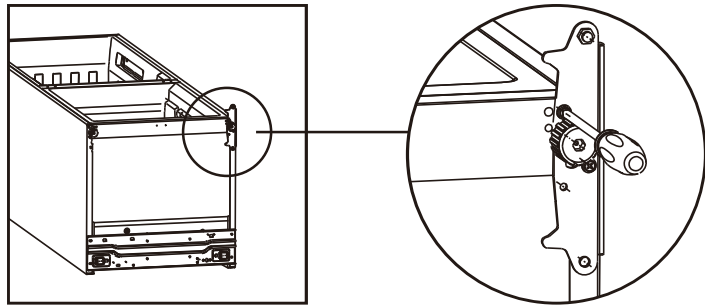
# Installation

---

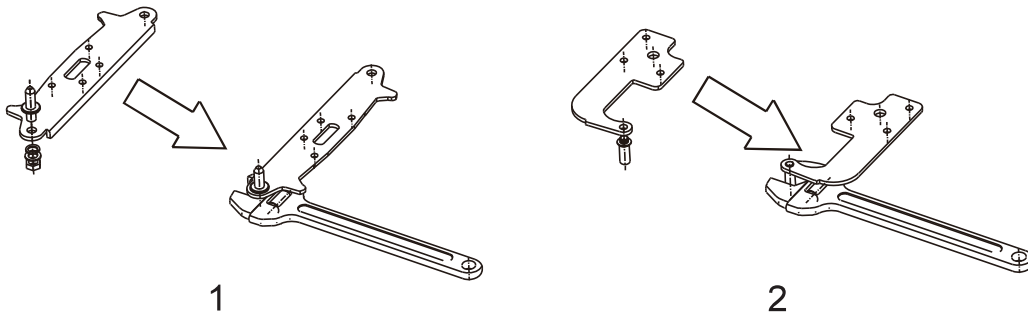
3. Take off the upper door, take out the screw from the middle hinge by cross screwdriver, then take off the lower door.



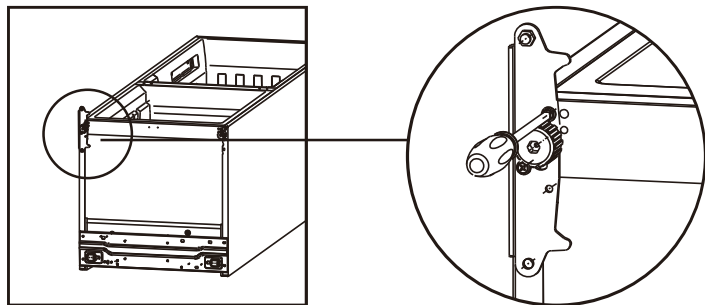
4. Laying down the refrigerator, take out the adjusting feet as below, then take off the lower hinge by cross screwdriver.



5. Adjusting the hinge core position of the lower hinge and upper hinge to opposite position



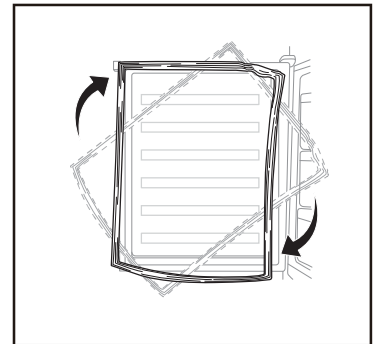
6. Install the lower hinge under to the refrigerator like below, screwing in the adjusting feet, make sure the position in horizon.



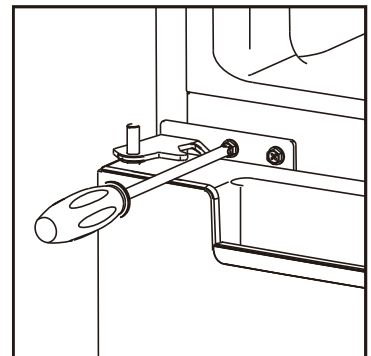
# Installation

---

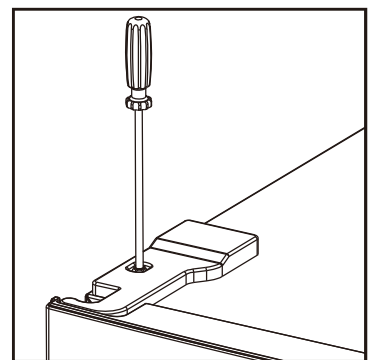
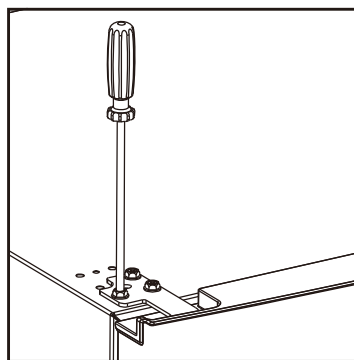
7. Detach the Fridge and the Freezer door gaskets and then attach them after rotating.



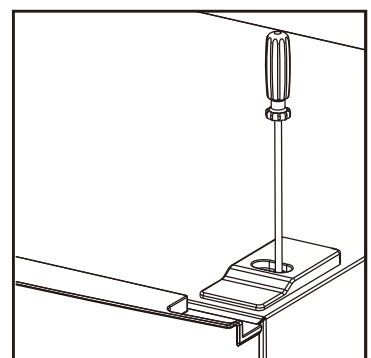
8. Install the lower door, adjust and fix the middle hinge onto the cabinet.



9. Place the upper door back on. Ensure the door is aligned horizontally and vertically so that the seal are closed on all sides before finally tightening the top hinge. Then insert the top hinge and screw it to the top of unit and then fix hinge cover (in accessory bag) by screw.

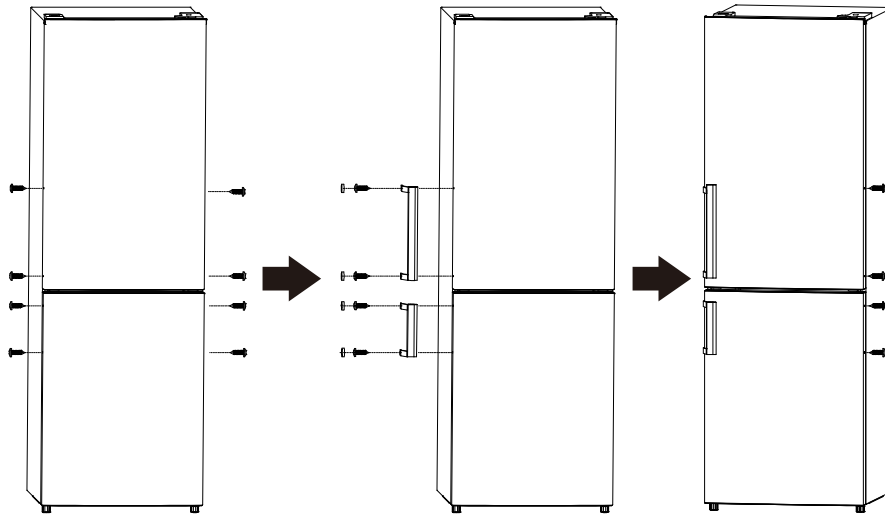


10. Fix the screw cover.



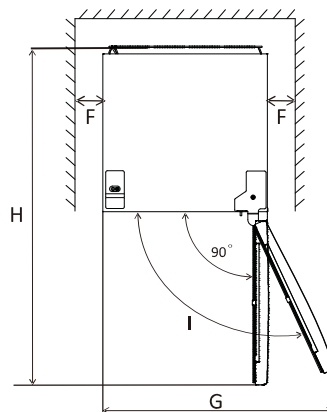
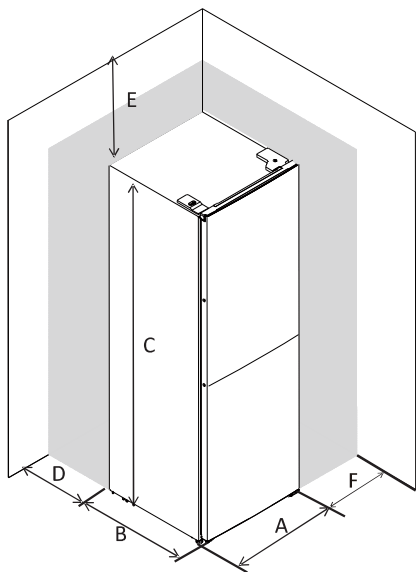
# Installation

## Install door external handle (if external handle is present)



## Space Requirement

- Keep enough space of door open.
- Keep at least 50mm gap at two sides and back.

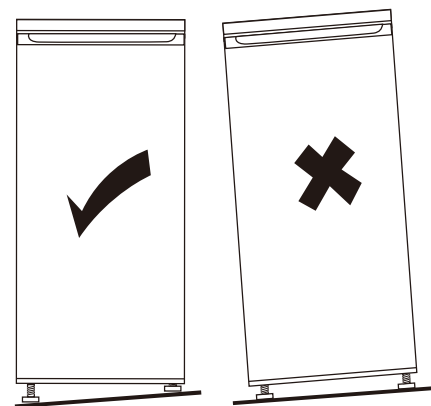
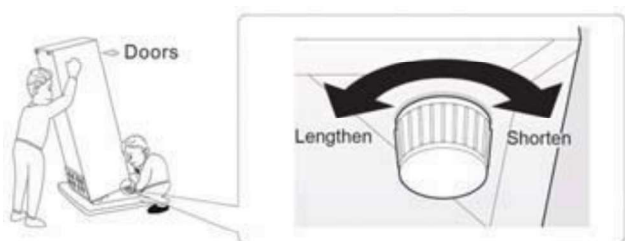


A	600
B	672
C	1855
D	min=50
E	min=50
F	min=50
G	1200
H	1285
I	135°

## Levelling the unit

To do this adjust the two levelling feet at front of the unit.

If the unit is not level, the doors and magnetic seal alignments will not be covered properly.




# User interface

## 1. Temperature setting of fridge compartment

Fridge temperature setting Panel



### 1.1 Operation button

 Set button

Short press this button to select running temperature.

Keep pressing this button for 3s to select "Super" mode.


### 1.2 Indicators


1) Super mode indicator: the light is on when Super mode is selected.

2) Setting Temperature indicators of fridge compartment. The lighted indicator means related temperature is selected.

### 1.3 Super mode

Activate super mode:

Keep pressing  button for 3s, super mode will be activated, indicator **Super** will be lighted.

When super mode is activated, fridge temperature will remain previous setting and can not be changed by pressing  button.

Quit from Super mode

- Press Set button ( A ) for over 3 seconds
- Or the appliance will automatically restore to original setting when Super mode has running for more than 50 hours.

## 2. Temperature setting of freezer compartment

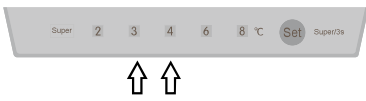


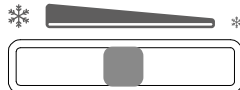


Freezer temperature setting slider:



- This slider in fridge compartment is used to adjust temperature of freezer compartment.
- Slider is positioned toward ❄️, the temperature in freezer compartment will be higher. Contrarily the temperature in freezer compartment will be lower if the slider is moved toward ❄️.
- Middle position of slider is advised position for normal using.

# User interface

## 3. Temperature setting recommendation

Temperature setting recommendation		
Environment Temperature	Fridge Compartment	Freezer Compartment
Warm >27°C		
Normal 17°C~27°C		
Cold <17°C		

**WARNING!** Please never position the slider at left as below.





# Daily Use

---

## First use

### Cleaning the interior

Before using the appliance for the first time, wash the interior and all internal accessories with lukewarm water and some neutral soap so as to remove the typical smell of a brand new product, then dry thoroughly.

**Important!** Do not use detergents or abrasive powders, as these will damage the finish.

## Daily use

Position different food in different compartments according to be below table

Refrigerator compartments	Type of food
Door or balconies of fridge compartment	<ul style="list-style-type: none"><li>• Foods with natural preservatives, such as jams, juices, drinks, condiments.</li><li>• Do not store perishable foods.</li></ul>
Crisper drawer (salad drawer)	<ul style="list-style-type: none"><li>• Fruits, herbs and vegetables should be placed separately in the crisper bin.</li><li>• Do not store bananas, onions, potatoes, garlic in the refrigerator.</li></ul>
Fridge shelf – middle	<ul style="list-style-type: none"><li>• Dairy products, eggs</li></ul>
Fridge shelf – top	<ul style="list-style-type: none"><li>• Foods that do not need cooking, such as ready-to-eat foods, deli meats, leftovers.</li></ul>
Freezer drawer(s)/shelf	<ul style="list-style-type: none"><li>• Foods for long-term storage.</li><li>• Bottom drawer/shelf for raw meat, poultry, fish.</li><li>• Middle drawer/shelf for frozen vegetables, chips.</li><li>• Top drawer/shelf for ice cream, frozen fruit, frozen baked goods.</li></ul>

## Freezing fresh food

- The freezer compartment is suitable for freezing fresh food and storing frozen and deep-frozen food for a long time.
- Place the fresh food to be frozen in the bottom compartment.
- The maximum amount of food that can be frozen in 24 hours is specified on the rating plate.
- The freezing process lasts 24 hours: during this period do not add other food to be frozen.
- In order to get bigger freezing capacity, please put unfrozen food into freezer compartment after you have started super mode for 26 hours.

## Storing frozen food

When first starting-up or after a period out of use. Before putting the product in the compartment let the appliance run at least 2 hours on the higher settings.

**Important!** In the event of accidental defrosting, for example the power has been off for longer than the value shown in the technical characteristics chart under “rising time”, the defrosted food must be consumed quickly or cooked immediately and then re-frozen (after cooked).

## Thawing

Deep-frozen or frozen food, prior to be used, can be thawed in the freezer compartment or at room temperature, depending on the time available for this operation.

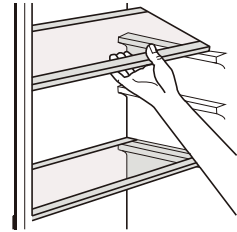
Small pieces may even be cooked still frozen, directly from the freezer. In this case, cooking will take longer.

## Daily Use

---

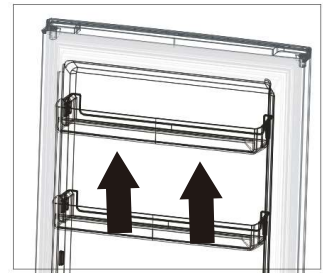
### Accessories Movable shelves

The walls of the refrigerator are equipped with a series of runners so that the shelves can be positioned as desired.



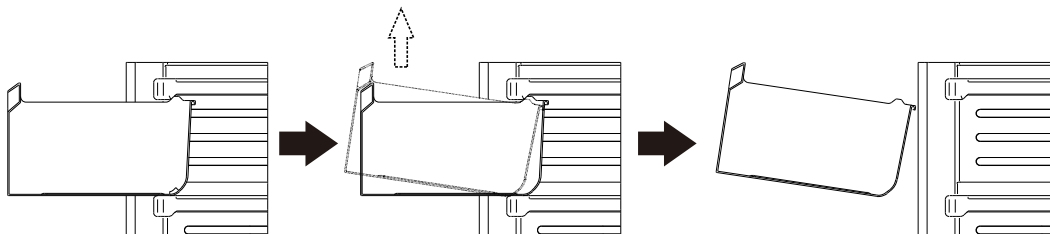
### Positioning the door balconies

Door balconies can be disassembled for cleaning. To make the disassembling as follows: gradually pull the balcony in the direction of the arrows until it comes free, after cleaning, reposition it.



### Disassemble the bottom drawer

1. Pull out the bottom drawer to stopper position.
2. Lift up the front of drawer.
3. Pull out the bottom drawer.



## Helpful hints and tips

### Hints for freezing

To help you make the most of the freezing process, here are some important hints:

- the maximum quantity of food which can be frozen in 24 hrs. is shown on the rating plate;
- the freezing process takes 24 hours. No further food to be frozen should be added during this period;
- only freeze top quality, fresh and thoroughly cleaned, foodstuffs;
- prepare food in small portions to enable it to be rapidly and completely frozen and to make it possible subsequently to thaw only the quantity required;
- wrap up the food in aluminium foil or polythene and make sure that the packages are airtight;
- do not allow fresh, unfrozen food to touch food which is already frozen, thus avoiding a rise in temperature of the latter;
- lean foods store better and longer than fatty ones; salt reduces the storage life of food;
- water ices, if consumed immediately after removal from the freezer compartment, can possibly cause the skin to be freeze burnt;
- it is advisable to show the freezing in date on each individual pack to enable you removal from the freezer compartment, can possibly cause the skin to be freeze burnt;
- it is advisable to show the freezing in date on each individual pack to enable you to keep tab of the storage time.

## Daily Use

---

### Hints for storage of frozen food

To obtain the best performance from this appliance, you should:  
make sure that the commercially frozen foodstuffs were adequately stored by the retailer;  
be sure that frozen foodstuffs are transferred from the food store to the freezer in the shortest possible time;  
not open the door frequently or leave it open longer than absolutely necessary.  
Once defrosted, food deteriorates rapidly and cannot be refrozen.  
Do not exceed the storage period indicated by the food manufacture.

### Hints for fresh food refrigeration

To obtain the best performance:

- Do not store warm food or evaporating liquids in the refrigerator
- Do cover or wrap the food, particularly if it has a strong flavour

### Hints for refrigeration

Useful hints:

- Make (all types): wrap in polythene bags and place on the glass shelves above the vegetable drawer.
- For safety, store in this way only one or two days at the most.
- Cooked foods, cold dishes, etc...: these should be covered and may be placed on any shelf.
- Fruit and vegetables: these should be thoroughly cleaned and placed in the special drawer(s) provided.
- butter and cheese: these should be placed in special airtight containers or wrapped in aluminum foil or polythene bags to exclude as much air as possible.
- Milk bottle: these should have a cap and should be stored in the balconies on the door.
- Bananas, potatoes, onions and garlic, if not packed, must not be kept in the fridge.

## Cleaning

For hygienic reasons the appliance interior, including interior accessories, should be cleaned regularly.



**Caution!** The appliance may not be connected to the mains during cleaning. Danger of electrical shock! Before cleaning switch the appliance off and remove the plug from the mains, or switch off or turn out the circuit breaker or fuse. Never clean the appliance with a steam cleaner. Moisture could accumulate in electrical components, danger of electrical shock! Hot vapors can lead to the damage of plastic parts. The appliance must be dry before it is placed back into service.

**Important!** Ethereal oils and organic solvents can attack plastic parts, e.g. lemon juice or the juice from orange peel, butyric acid, cleanser that contain acetic acid.

- Do not allow such substances to come into contact the appliance parts.
- Do not use any abrasive cleaners
- Remove the food from the freezer. Store them in a cool place, well covered.
- Switch the appliance off and remove the plug from the mains, or switch off or turn out the circuit breaker of fuse.
- Clean the appliance and the interior accessories with a cloth and lukewarm water. After cleaning wipe with fresh water and rub dry.
- After everything is dry place appliance back into service.

## Daily Use

### Replace the lamp

The internal light is a LED type. To replace the lamp, please contact qualified technician.

### Troubleshooting

 **Caution!** Before troubleshooting, disconnect the power supply. Only a qualified electrician of competent person must do the troubleshooting that is not in this manual.

**Important!** There are some sounds during normal use (compressor, refrigerant circulation).

Problem	Possible cause	Solution
Appliance does not work	Temperature regulation knob is set at coldest	Set the knob at other switch on the appliance.
	Mains plug is not plugged in or is loose	Insert mains plug.
	Fuse has blown or is defective	Check fuse, replace if necessary.
	Socket is defective	Mains malfunctions are to be corrected by an electrician.
Appliance freezes or cools too much	Temperature is set too cold or the appliance runs at coldest.	Turn the temperature regulator to a warmer setting temporarily.
The food is not frozen enough.	Temperature is not properly adjusted.	Please look in the initial Temperature Setting section.
	Door was open for an extended period.	Open the door only as long as necessary.
	A large quantity of warm food was placed in the appliance within the last 24 hours.	Turn the temperature regulation to a colder setting temporarily.
	The appliance is near a heat source.	Please look in the installation location section.
Heavy build up of frost on the door seal.	Door seal is not air tight.	Carefully warm the leaking sections of the door seal with a hair dryer (on a cool setting). At the same time shape the warmed door seal by hand such that it sits correctly.
Unusual noises	Appliance is not level.	Re-adjust the feet.
	The appliance is touching the wall or other objects.	Move the appliance slightly.
	A component, e.g. a pipe, on the rear of the appliance is touching another part of the appliance or the wall.	If necessary, carefully bend the component out of the way.
Water on the floor	Water drain hole is blocked.	See the Cleaning and Care section.
Side panels are hot.	It's normal. Heat exchange parts are in the sides.	Take gloves to touch sides if needed.

If the malfunction shows again, contact the Service Center. These data are necessary to help you quickly and correctly. Write the necessary data here, refer to the rating plate.

1.

## **TECHNICAL DATA**

The technical information is situated in the rating plate on the internal side of the appliance and on the energy label. The QR code on the energy label supplied with the appliance provides a web link to the information related to the performance of the appliance in the EU EPREL database.

Keep the energy label for reference together with the user manual and all other documents provided with this appliance.

It is also possible to find the same information in EPREL using the link <https://eprel.ec.europa.eu> and the model name and product number that you find on the rating plate of the appliance.

See the link [www.theenergylabel.eu](http://www.theenergylabel.eu) for detailed information about the energy label.

2.

## **INFORMATION FOR TEST INSTITUTES**

Appliance for any EcoDesign verification shall be compliant with EN 62552.

Ventilation requirements, recess dimensions and minimum rear clearances shall be as stated in this User Manual at Chapter 2. Please contact the manufacturer for any other further information, including loading plans.

3.

## **CUSTOMER CARE AND SERVICE**

Always use original spare parts.

When contacting our Authorised Service Centre, ensure that you have the following data available: Model, Serial Number and Service Index.

The information can be found on the rating plate. Subject to change without notice.

The original spare parts for some specific components are available for a minimum of 7 or 10 years, based on the type of component, from the placing on the market of the last unit of the model.

Visit our website to:

[www.voxelectronics.com](http://www.voxelectronics.com)



SRP

# Uputstvo za upotrebu

**Frižider sa zamrzivačem**  
NO FROST tehnologija

**NF-3870F**

**EAC**

## Sadržaj

1. Bezbednosne informacije	strana 1-11
2. Opšti izgled uređaja	strana 12
3. Instalacija	strana 13-17
4. Svakodnevna upotreba	strana 18 -22
5. Rešavanje problema	strana 23
6. Tehnički podaci	strana 24
7. INFORMACIJE O TESTU PERFORMANSI (TEST INSTITUTE)	strana 24
8. SERVIS I BRIGA O KORISNIKU	strana 24

U Vašem je interesu da se obezbedi sigurna i pravilna upotreba, stoga pre instaliranja i prve upotrebe uređaja, pažljivo pročitajte ovaj korisnički priručnik, uključujući njegove savete i upozorenja. Da biste izbegli nepotrebne greške i nezgode, neophodno je da svi korisnici uređaja budu detaljno upoznati sa njegovim radom i bezbednim funkcijama. Sačuvajte ovo uputstvo i osigurajte da ostane uz uređaj ako ga premeštate ili prodajete, tako da svi koji ga koriste tokom njegovog veka trajanja budu pravilno informisani o upotrebi i bezbednosti uređaja.

Radi sigurnosti života i imovine pridržavajte se predostrožnosti u ovom korisničko priručniku, jer proizvođač nije odgovoran za štetu izazvanu nepoštovanjem mera opreza.

### **Bezbednost dece i osoba sa smanjenim sposobnostima**

- Ovaj aparat mogu koristiti deca uzrasta 8 i više godina i osobe sa smanjenim fizičkim senzornim ili mentalnim sposobnosti ili nedostatkom iskustva i znanja ako su pod nadzorom ili su dobili instrukcije u vezi sa upotrebom aparata na siguran način i razumeju opasnosti do kojih može doći.
- Deci uzrasta od 3 do 8 godina dozvoljeno je da



## **⚠ Sigurnosna upozorenja**



- pune i prazne rashladne uređaje.
- Deca treba da budu pod nadzorom da se ne bi igrala s uređajem.
  - Čišćenje i održavanje uređaja ne smeju vršiti deca osim ako imaju 8 ili više godina i ako su pod nadzorom.
  - Čuvajte sav ambalažni materijal udaljen od dece. Postoji rizik od gušenja.
  - Ukoliko odlažete uređaj, izvucite utikač iz utičnice, odsecite kabl za napajanje (što je moguće bliže uređaju) i uklonite vrata kako biste sprečili da se deca igraju s uređajem, strujni udar ili da se deca zatvore unutar uređaja
  - Ukoliko vaš stari uređaj ima magnetnu zaptivku, razbijte ili uklonite je pre odlaganja starog uređaja. To će sprečiti da postane smrtonosna zamka za dete.

### **Opšta bezbednost**

**⚠ UPOZORENJE!** Držite bez opstrukcija otvore ventilacije koji se nalaze u okruženju uređaja ili su ugrađeni u strukturu uređaja.

**⚠ UPOZORENJE!** Ne koristite mehaničke uređaje ili druge načine za ubrzavanje odleđivanja, osim onih preporučenih od strane proizvođača.

**⚠ UPOZORENJE!** Nemojte oštetiti rashladno kolo.

## **⚠ Sigurnosna upozorenja**



**⚠ UPOZORENJE!** Ne koristite druge električne uređaje (kao na pr. aparate za pravljenje sladoleda) unutar odeljka ovog uređaja, osim ako su one odobrene za ovu namenu od strane proizvođača.

**⚠ UPOZORENJE!** Ne dodirivati sijalicu ukoliko je dugo uključena jer može biti jako vruća.<sup>1)</sup>

**⚠ UPOZORENJE!** Kada postavljate uređaj, uverite se da kabl za napajanje nije umotan ili oštećen.

**⚠ UPOZORENJE!** Nemojte postavljati više prenosnih utičnica na zadnjoj strani uređaja.

- Nemojte držati eksplozivne supstance, kao što su aerosol limenke sa zapaljivim gasovima, u ovom uređaju.

- Izobutan (R600a), kojeg sadrži rashladno kolo ovog uređaja, je prirodni gas bez štetnog uticaja na životnu sredinu, ali je zapaljiv.

- Prilikom transporta i instalacije uređaja, uverite se da nijedan deo rashladnog kola ne bude oštećen.

- Izbegavajte otvorene plamenove i izvore paljenja

- Pažljivo provetrite prostoriju u kojoj je smešten uređaj

1) Ukoliko ima osvetljenja u odeljku uređaja.

## **⚠ Sigurnosna upozorenja**



- Opasno je menjati specifikacije ili ovaj uređaj na bilo koji način. Svako oštećenje kabla za napajanje može prouzrokovati kratak spoj, vatru i/ili električni šok.
- Ovaj uređaj namenjen je upotrebi u domaćinstvu i sličnim upotrebama, kao što su
  - kuhinje u radnjama, kancelarijama i drugim radnim okruženjima;
  - farme i sobe dostupne gostima u hotelima, motelima i drugim okruženjima boravišnog tipa okruženjima tipa noćenje s doručkom;
  - ugostiteljstvu i sličnim namenama koja ne spadaju u maloprodaju.

**⚠ UPOZORENJE!** Svaki električni deo (utikač, kabl za napajanje, kompresor i td.) mora biti zamenjen od strane kvalifikovanog tehničara ili ovlašćenog servisnog agenta.

**⚠ UPOZORENJE!** Sijalica koja se koristi u uređaju je “sijalica sa posebnom namenom” koja se može koristiti samo kao pomoćni deo uređaja.

Ova “sijalica sa posebnom upotrebom” ne može se koristiti za sobno osvetljenje u domaćinstvu.<sup>1)</sup>

- Nemojte koristiti produžne kablove.
- Uverite se da utikač nije prignječen ili oštećen na

## **⚠ Sigurnosna upozorenja**



zadnjoj strani uređaja. Prignječeni ili oštećeni utikač može dovesti do pregrevanja i izazvati požar.

- Uverite se da možete doći do strujnog utikača uređaja.
- Nemojte vući kabl za napajanje.
- Ukoliko je utikač slabo povezan, ne ubacujte u utičnicu. Postoji rizik od elektrošoka ili požara.
- Ne smete rukovati uređajem bez lampe.
- Ovaj uređaj je težak. Voditi računa prilikom pomeranja.
- Ne uklanjajte i ne dodirujte stvari iz zamrzivača ukoliko su vam ruke vlažne/mokre, jer može doći do ogrebotina na koži ili promrzlina.
- Izbegavajte dugo izlaganje uređaja dnevnoj svetlosti.

## **Svakodnevna upotreba**

- Ne stavljajte ništa vruće na plastične delove u uređaju.
- Ne stavljajte prehrambene proizvode direktno uz zadnji zid.

1)Ukoliko ima osvetljenja u odeljku uređaja.

Jednom odmrznuta hrana ne sme se ponovo zamrzavati.<sup>1)</sup>

Otpremite hranu za pakovanje prema uputstvima proizvođača za otpremanje hrane za zamrzavanje.<sup>1)</sup>

- Preporuke proizvođača za skladištenje hrane u uređaju moraju se strogo poštovati. Pogledajte relevantna uputstva.

- Nemojte stavljati gazirana pića u odeljak za zamrzavanje, jer dolazi do stvaranja pritiska unutar ambalaže, što može dovesti do eksplozije i oštećenja na uređaju.<sup>1)</sup>

- Kocke leda mogu da dovedu do promrzlina ukoliko se koriste odmah po vađenju iz uređaja.<sup>1)</sup>

- Da biste izbegli kontaminaciju hrane, obratite pažnju na sledeće instrukcije

- Otvaranje vrata na duži period može da uzrokuje značajan porast temperature u pregradama uređaja.

- Redovno čistite površine koje mogu da stupe u kontakt sa hranom i dostupnim drenažnim sistemima.

<sup>1)</sup>Ukoliko ima osvetljenja u odeljku uređaja.

## **⚠ Sigurnosna upozorenja**



- Očistite rezervoar za vodu ako ne se koristi 48 časa; isperite sistem za vodu povezan sa vodosnab-devanjem ako voda nije tekla 5 dana.
- U frižideru čuvajte sirovo meso i ribu u odgovaraju-ćim posudama, tako da ne dođe u kontakt sa drugom hranom ili da ne kaplje na drugu hranu.
- Odeljci sa dve zvezde (ukoliko ih ima u uređaju) pogodni su za čuvanje prethodno zamrznute hrane, čuvanje ili pravljenje sladoleda ili ledenih kocki.
- Odeljci sa jednom , dve ili tri zvezde (ukoliko ih ima u uređaju) nisu pogodni za zamrzavanje sveže hrane.
- Ukoliko je aparat za hlađenje ostavljen prazan na duži period, isključite ga, odmrznite, očistite, osušite i ostavite vrata otvorena da sprečite razvoj plesni u uređaju.

## **Održavanje i čišćenje**

- Pre održavanja, isključite uređaj i izvadite utikač iz zidne utičnice.
- Nemojte čistiti uređaj metalnim predmetima.
- Nemojte koristiti oštre predmete za uklanjanje mraza u uređaju. Koristite plastičnu grebalicu.<sup>1</sup>

1) Ukoliko postoji odeljak zamrzivača.

## **⚠ Sigurnosna upozorenja**



- Redovno proveravajte odvod zamrznute vode u frižideru. Po potrebi, očistite odvod.

Ukoliko je odvod blokiran, voda će se sakupljati na dnu uređaja.<sup>2)</sup>

## **Postavljanje**

**Važno!** Kod električnog povezivanja pažljivo pratite date instrukcije u određenim odeljcima.

- Raspakujte uređaj i proverite da na njemu nema oštećenja. Nemojte povezivati uređaj ukoliko je oštećen. Prijavite moguća oštećenja odmah prodavnici u kojoj ste kupili uređaj. U tom slučaju sačuvajte ambalažni materijal.
- Preporučuje se da sačekate najmanje 4 sata pre povezivanja uređaja kako bi se ulje u kompresoru rasporedilo pravilno.
- Obezbediti adekvatan protok vazduha oko uređaja, kako ne bi došlo do pregrevanja. Da biste obezbedili dovoljno vazduha, pratite relevantna uputstva za postavljanje.
- Izbegavati da štitnici uređaja dodiruju zid ili tople delove (kompresor, kondenzator) kako biste sprečili moguće gorenje uređaja
- Uređaj ne sme biti postavljen u blizini radijatora

2)Ukoliko postoji odeljak za čuvanje sveže hrane.

ni šporeta.

- Uverite se da je utičnica dostupna nakon postavljanja uređaja.

### **Servisiranje**


- Svaka električna intervencija koja zahteva servisiranje uređaja mora biti obavljena od strane kvalifikovanog električara ili kompetentne osobe.
- Ovaj proizvod mora biti servisiran od strane ovlašćenog servisnog centra, i mogu se koristiti samo originalni rezervni delovi.


### **Saveti za uštedu energije**

- Nemojte stavljati toplu hranu u uređaj;
- Nemojte držati spakovanu hranu blizu jednu drugoj jer to sprečava cirkulisanje vazduha;
- Uverite se da hrana ne dodiruje zidove odeljaka;
- Ukoliko dođe do nestanka struje, nemojte otvarati vrata;
- Nemojte često otvarati vrata;
- Nemojte držati vrata dugo otvorena;
- Nemojte podešavati termostat na suviše niske temperature;
- Pojedine delove, kao što su fioke, treba držati zbog manje potrošnje električne energije.



**Zaštita životne okoline**

 Ovaj uređaj ne sadrži gasove koji mogu oštetiti ozonski omotač, kao ni rashladno kolo ni izolacioni materijal. Uređaj ne treba odstraniti zajedno sa gradskim smećem. Izolaciona pena sadrži zapaljive gasove: ovaj uređaj treba odložiti u skladu sa zakonskom regulativom za otklanjanje uređaja dobijenom od lokalnih vlasti. Izbegavajte oštećenja rashladnog dela, naročito toplotnog grejača. Materijali korišćeni na ovom uređaju koji su označeni simbolom mogu se reciklirati.

 Simbol na proizvodu ili njegovoj ambalaži označava da se s tim proizvodom ne sme postupati kao s kućnim otpadom. Umesto toga, proizvod treba da bude uklonjen od strane odgovarajućeg centra za reciklažu elektronske i električne opreme. Ispravnim uklanjanjem ovog proizvoda, pomažete u sprečavanju potencijalnih negativnih posledica na životnu sredinu i zdravlje ljudi, koji bi inače mogli biti ugroženi neodgovarajućim rukovanjem otpadom ovog proizvoda. Za detaljnije informacije o recikliranju ovog uređaja, molimo kontaktirajte odgovarajuću lokalnu ustanovu, službu za odlaganje kućnog otpada ili prodavnicu u kojoj ste kupili uređaj.

## Materijali za ambalažu

Materijali sa simbolom mogu se reciklirati. Odložite materijal za pakovanje u adekvatne kontejnere za reciklažu.

## Odlaganje uređaja

1. Isključite glavni utikač iz utičnice.

2. Isecite kabl za napajanje i odložite ga.



### **UPOZORENJE!**

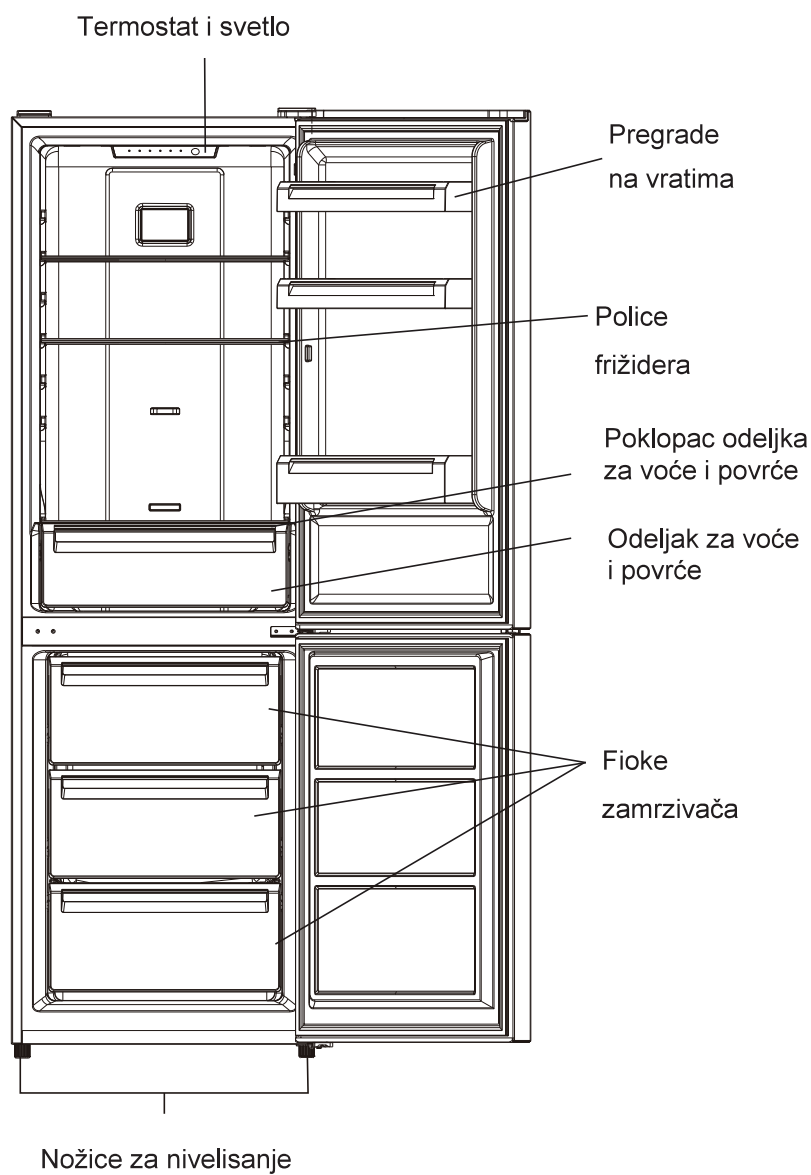
Tokom upotrebe, servisiranja i odlaganja uređaja, obratite pažnju na simbol sličan onome na levoj strani, koji se nalazi na zadnjoj strani uređaja (zadnja ploča ili kompresor) žute ili narandžaste boje.

To je simbol koji označava rizik od požara. U rashladnim cevima i kompresoru nalaze se zapaljivi materijali.

Molimo da uređaj udaljite od izvora vatre tokom upotrebe, servisiranja i odlaganja.

# Izgled uređaja

---



Beleška: Slika iznad je samo za informaciju o delovima. Stvarni izgled uređaja može biti drugačiji.

# Instalacija

---

## Prostorni zahtevi

- Izaberite mesto gde nema direktnog izlaganja sunčevoj svetlosti;
- Izaberite mesto sa dovoljno prostora kako bi se vrata frižidera lako otvarala;
- Izaberite mesto sa nivelisanim podom;
- Obezbedite dovoljno prostora za postavljanje uređaja na ravnu površinu;
- Obezbedite cirkulaciju vazduha sa svih strana prilikom postavljanja uređaja.

Ovo će omogućiti manju potrošnju električne energije i smanjice troškove.

- Obezbedite minimum 50mm praznog prostora sa zadnje, leve i desne strane uređaja.

## Postavljanje

Postavite ovaj uređaj na mestu na kojem temperatura prostora odgovara klimatskoj klasifikaciji uređaja navedenoj u sledećoj tabeli:

Postavite ovaj uređaj na mestu gde temperatura okoline odgovara klimatskoj klasi naznačenoj na natpisnoj pločici uređaja:

Za rashladne uređaje s klimatskom klasom:

- Povećano umerena: „ovaj rashladni uređaj predviđen je za upotrebu na sobnoj temperaturi u rasponu od 10 ° C do 32 ° C (SN);
- Umerena: „ovaj rashladni uređaj predviđen je za upotrebu na sobnoj temperaturi u rasponu od 16 ° C do 32 ° C (N);
- Subtropska: „ovaj rashladni uređaj predviđen je za upotrebu na sobnoj temperaturi u rasponu od 16 ° C do 38 ° C (ST);
- Tropska: „Ovaj rashladni uređaj predviđen je za upotrebu na sobnoj temperaturi od 16 ° C do 43 ° C (T);

## Mesto postavljanja uređaja

Uređaj treba da bude postavljen udaljen od izvora toplote kao što su radijatori, bojleri, direktna sunčeva svetlost itd. Uverite se da vazduh može slobodno da cirkuliše oko zadnjeg dela zamrzivača. Da biste bili sigurni da će uređaj funkcionisati sa najboljim performansama, ukoliko je uređaj postavljen ispod visećih delova na zidu, minimalna udaljenost između poklopca uređaja i elementa montiranog na zid mora biti najmanje 100mm. Ipak, najidealnije je da se uređaj ne postavlja ispod montiranih delova na zidu. Nivelisanje uređaja moguće je pomoću jedne ili više nogara na postolju uređaja.



**UPOZORENJE!** Neophodno je omogućiti isključivanje uređaja iz glavnog utikača; stoga utičnica mora biti dostupna nakon instalacije.

## Električno povezivanje

Pre uključivanja uverite se da napon prikazan u tabeli odgovara naponu mreže vašeg domaćinstva. Utičnica u koju uključujete uređaj mora imati uzemljenje. Kabl za napajanje električnom energijom opremljen je kontaktima u tu svrhu. Ukoliko utičnica nije uzemljena, u skladu sa osnovnim propisima, konsultujte kvalifikovanog električara.

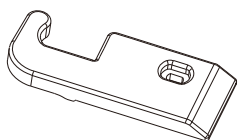
Proizvođač nije odgovoran ukoliko se ne preduzmu mere opreza.  
Ovaj uređaj je u skladu sa direktivama EEC.

# Instalacija

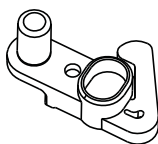
## Promena smer otvaranja vrata

Pre nego što promenite smer otvaranja vrata, pripremite alat i materijal koji je naveden ispod: ravni odvijač, krstasti odvijač, ključ i delovi koji su uključeni u kesicu sa dodatnim priborom:

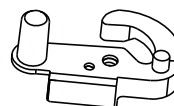
Poklopac šarke s leve strane vrata x 1



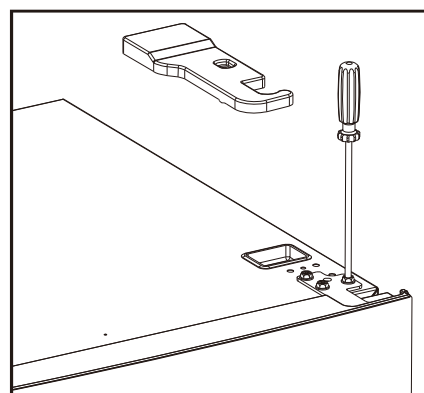
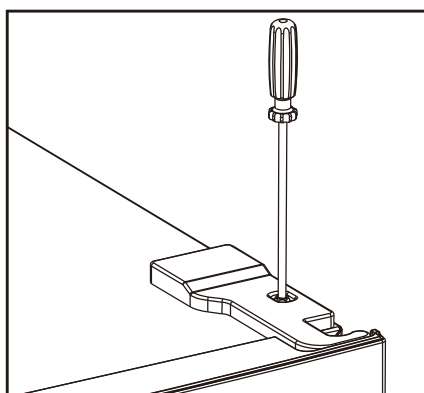
Levi pomoćni deo na gornjim vratima x 1



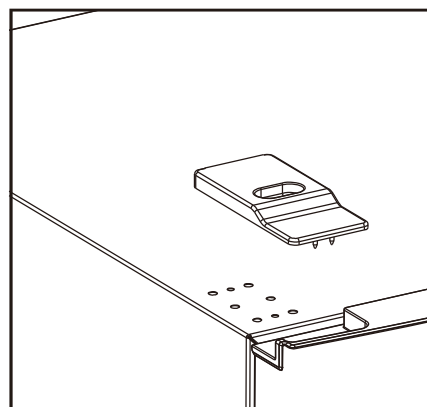
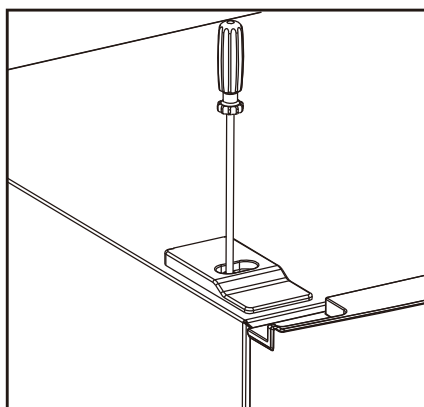
Levi pomoćni deo na donjim vratima x 1



1. Odvijte gornji poklopac šarke, a zatim odvrnite gornju šarku. Zatim podignite gornja vrata i postavite ih na mekanu podlogu kako biste izbegli ogrebotine i oštećenja.

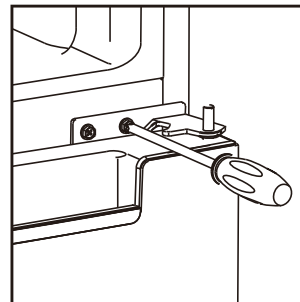


2. Uklonite gornji levi poklopac zavrtnja.

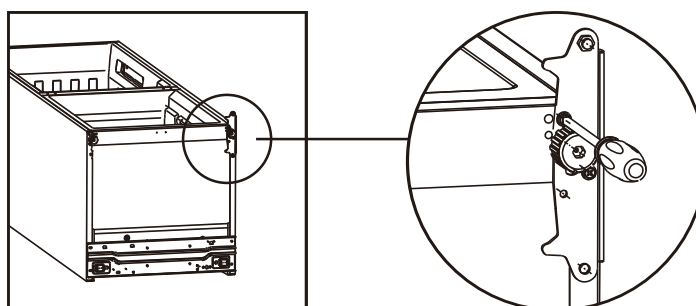


# Instalacija

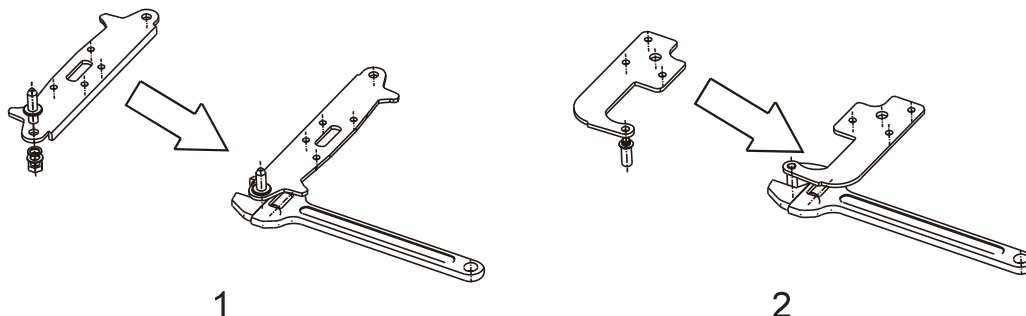
3. Skinite gornja vrata, izvucite vijak iz srednje šarke krstastim odvijačem, a zatim skinite donja vrata.



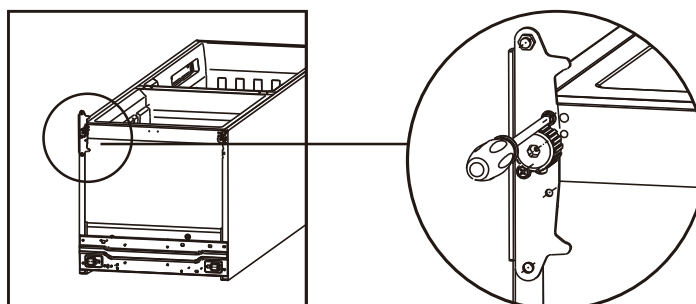
4. Položite frižider, izvadite nožice za podešavanje kao što je prikazano ispod, a zatim skinite donju šarku krstastim odvijačem.



5. Prilagodite položaj jezgra donje i gornje šarke na suprotnoj poziciji.

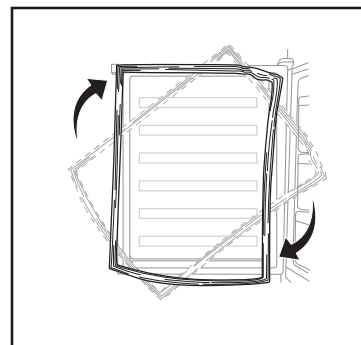


6. Postavite donju šarku na donjem delu frižidera kao što je prikazano ispod, pričvršćujući nožice za podešavanje, i pazite da je u horizontalnom položaju.

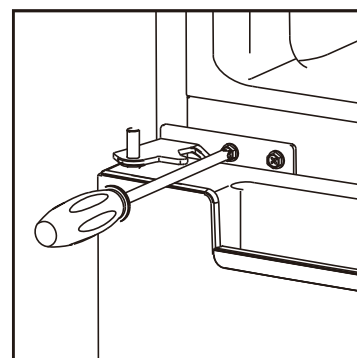


# Instalacija

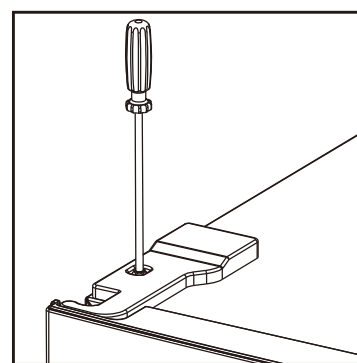
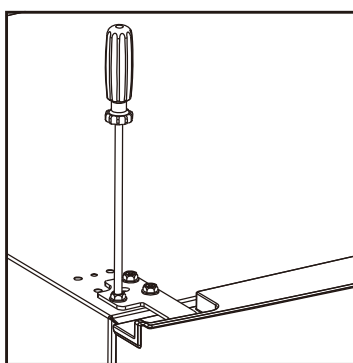
7. Odvojite zaptivke na vratima frižidera i zamrzivača, a zatim ih pričvrstite nakon promene položaja.



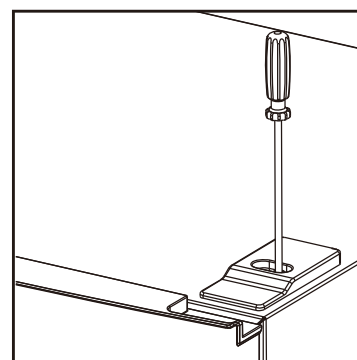
8. Postavite donja vrata, podesite i pričvrstite srednju šarku na uređaj.



9. Vratite gornja vrata. Uverite se da su vrata poravnana vodoravno i vertikalno tako da zaptivka bude zatvorena sa svih strana pre konačnog zatezanja gornje šarke. Zatim umetnite gornju šarku i zavrtnite je na vrh uređaja, a zatim zavrtnjem pričvrstite poklopac šarke (kesa sa dodacima).

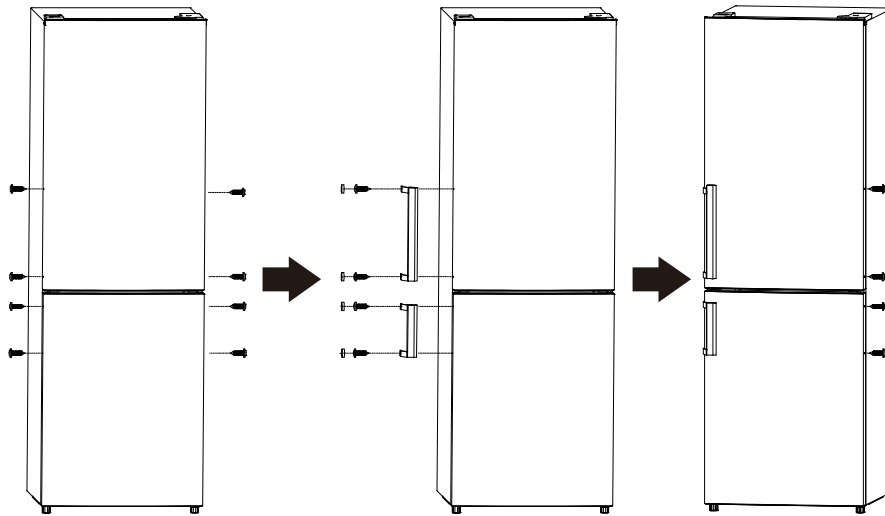


10. Pričvrstite poklopac zavrtnja.



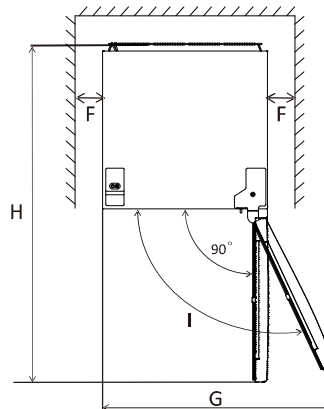
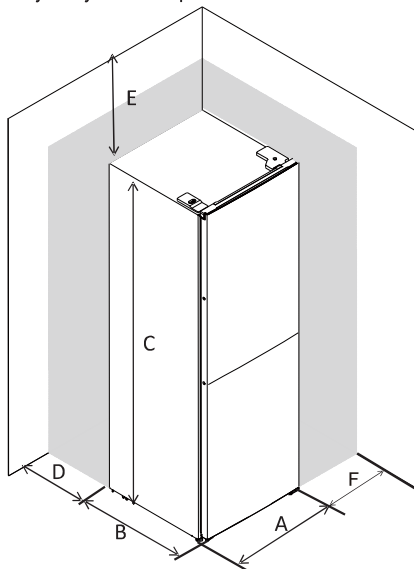
# Instalacija

## Postavljanje ručke za vrata (ukoliko je ručka prisutna kod modela)



### Prostorni zahtevi

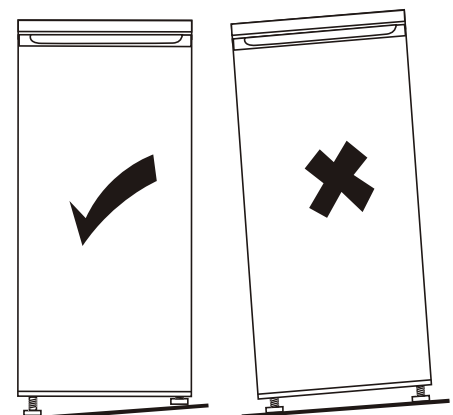
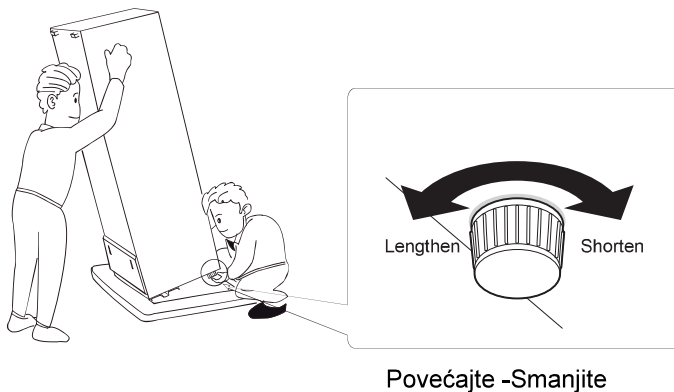
- Napravite dovoljno prostora za otvaranje vrata.
- Ostavite najmanje 50mm prostora sa obe strane uređaja.



A	600
B	672
C	1855
D	min=50
E	min=50
F	min=50
G	1200
H	1285
I	135°

### Nivelisanje uređaja

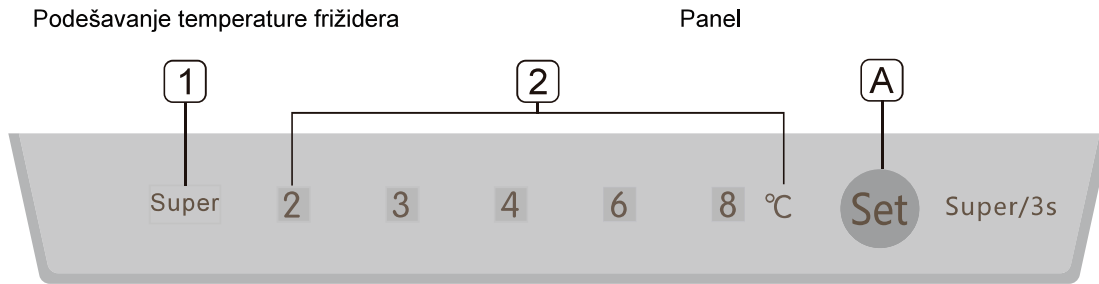
Da biste to učinili podesite dve nogare za nivelisanje na prednjoj strani uređaja. Ako uređaj nije u ravni, poravnavanje vrata i magnetne zaptivke neće biti pravilno urađeno.






# Korisnički interfejs

## 1. Podešavanje temperature frižidera



### 1.1 Tasteri za podešavanje

 Taster za podešavanje

Kratkim pritiskom na ovaj taster birate temperaturu rada.

Držite pritisnutim ovaj taster 3 sekunde da izaberete "Super" režim rada.



### 1.2 Indikatori


1) Indikator Super režima rada: svetli kada je izabran Super režim rada.

2) Indikatori za postavljanje temperature odeljka frižidera. Indikator koji svetli znači da je dostignuta izabrana temperatura.

### 1.3 Super režim rada

Aktiviranje super režima:

Pritiskanjem  tastere 3 sekunde, aktivira se režim rada super,  indikator svetli.

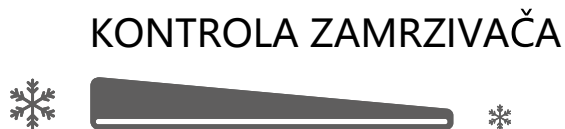
Kada je aktiviran super režim, temperatura frižidera ostaje na prethodnim podešavanjima i ne može se promeniti pritiskom na  taster.

Izlazak iz Super režima

- Pritisnite taster Set ( A ) više od 3 sekunde
- Ili će se uređaj automatski vratiti na originalna podešavanja kada je režim Super rada bio aktivan više od 50 sati.

## 2. Podešavanje temperature odeljka zamrzivača

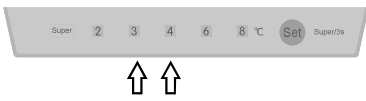





Klizač za podešavanje temperature zamrzivača:



- Ovaj klizač u frižideru koristi se za podešavanje temperature zamrzivača.
- Klizač je postavljen ka simbolu ❄️, temperatura u zamrzivaču će biti viša. Suprotno tome, temperatura zamrzivača će biti viša kada se klizač postavi ka simbolu ❄️.
- Srednja pozicija klizača se preporučuje za normalnu upotrebu.

# Korisnički interfejs

## 3. Preporuke za postavljanje temperature

Preporuke za postavljanje temperature		
Temperatura okoline	Odeljak frižidera	Odeljak zamrzivača
Toplo >27°C		
Normalno 17°C~27°C		
Hladno <17°C		

**UPOZORENJE!** Nikada nemojte da postavljate klizač na levoj strani kao što je prikazano na slici.



## Svakodnevna upotreba

### Prva upotreba

#### Čišćenje unutrašnjosti

Pre prve upotrebe uređaja, očistite unutrašnjost i svu unutrašnju opremu mlakom vodom i neutralnim sapunom, kako biste otklonili blago neprijatan miris karakterističan kod novog uređaja, zatim temeljno osušite.

**Važna napomena!** Nemojte koristiti abrazivna sredstva za čišćenje ili deterdžente, jer će to oštetiti finu obradu uređaja.

### Svakodnevna upotreba

Rasporedite hranu po odeljcima, kao što je navedeno u tabeli ispod

Odeljak frižidera	Vrsta namirnica
Vrata ili pregrade na vratima frižidera	<ul style="list-style-type: none"><li>Hrana sa prirodnim konzervansima, kao što su džemovi, sokovi, pića, začini.</li><li>Ne skladišiti kvarljivu hranu.</li></ul>
Odeljak za voće i povrće	<ul style="list-style-type: none"><li>Voće, bilje i povrće treba skladištiti u zasebnim pakovanjima.</li><li>Banane, crni luk, krompir, beli luk ne skladištiti u frižideru.</li></ul>
Srednja polica frižidera	<ul style="list-style-type: none"><li>Mlečni proizvodi, jaja</li></ul>
Gornja polica frižidera	<ul style="list-style-type: none"><li>Hrana koja ne zahteva pripremu, kao što su gotova jela, predjela, ostaci od jela.</li></ul>
Police zamrzivača	<ul style="list-style-type: none"><li>Hrana za dugotrajno čuvanje.</li><li>Sirovo meso, živina, riba u donjoj polici/fioci.</li><li>Smrznuto povrće, pomfrit u srednjoj polici/fioci.</li><li>Sladoled, smrznuto voće, smrznuta peciva nu gornjoj polici/ u fioci.</li></ul>

#### Zamrzavanje sveže hrane

- Zamrzivač je pogodan za zamrzavanje svežih namirnica i dugoročno čuvanje zamrznutih i duboko zamrznutih namirnica.
- Stavite sveže namirnice koje želite zamrznuti u zamrzivač.
- Maksimalna količina hrane koju je moguće zamrznuti tokom 24 sata navedena na napisnoj tablici uređaja.
- Proces zamrzavanja traje 24 sata. Tokom ovog perioda nemojte dodavati drugu hranu da se zamrzne.
- Da biste dobili bolje rezultate zamrzavanja, dan pre dodavanja namirnica pokrenite super režim rada na 26 sati.

#### Čuvanje zamrznutih namirnica

Kada prvi put uključujete uređaj i nakon perioda nekorišćenja uređaja, pre stavljanja hrane u zamrzivač pustite da uređaj radi najmanje dva sata na maksimalnoj temperaturi.

**Važno!** U slučaju neplaniranog odmrzavanja, na primer ukoliko duže nije bilo struje od vrednosti prikazanih u tehničkim karakteristikama pod stavkom "vreme odmrzavanja", odmrznuta hrana mora biti konzumirana u kratkom vremenskom roku ili odmah skuvana i tek nakon kuvanja ponovo zamrznuta.

#### Otapanje

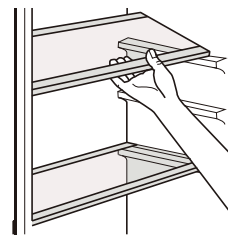
Duboko zamrznuta ili zamrznuta hrana pre upotrebe treba da se otopi u frižideru ili na sobnoj temperaturi, u zavisnosti od raspoloživog vremena za ovaj proces. Mali delovi mogu se kuvati iako su još zamrznuti, direktno iz zamrzivača. U tom slučaju, kuvanje će trajati duže.

# Svakodnevna upotreba

## Oprema

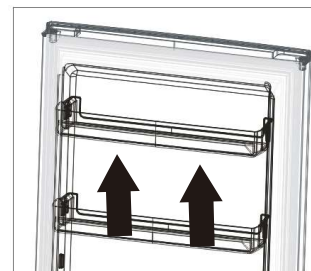
### Police koje se mogu premeštati

Na bočnim stranama uređaja nalaze se vodilice, tako da police lako možete postaviti na željenu visinu.



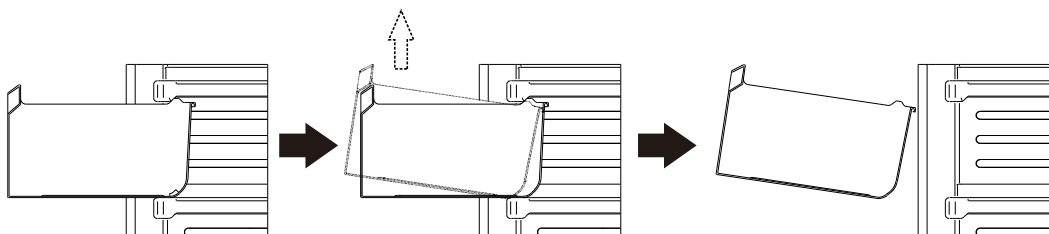
### Postavljanje pregrada na vratima uređaja

Police na vratima se mogu skinuti radi lakšeg čišćenja. To možete uraditi na sledeći način: Postepeno izvucite pregrade u smeru strelica na slici, dok se ne oslobode, zatim ih posle čišćenja, vratite na željeno mesto.



### Odvajanje donje fiok

1. Izvucite donju fioku do položaja stopera.
2. Podignite prednju stranu fiok.
3. Izvucite donju fioku.



## Korisni saveti

### Saveti za zamrzavanje

Evo nekoliko važnih saveta kako bismo vam pomogli da maksimalno iskoristite postupak zamrzavanja:

- Maksimalna količina hrane koja može biti zamrznuta u roku od 24 sata izložena je u tabeli.;
- Proces zamrzavanja traje 24 sata: tokom ovog perioda nemojte dodavati drugu hranu da se zamrzne
- Zamrzavati samo vrhunski kvalitetnu, svežu i temeljno očišćenu hranu;
- Otpremajte hranu u malim porcijama kako bi omogućili brzo i potpuno zamrzavanje, i tako omogućite naknadno odmrzavanje samo potrebne količine;
- Uvijte hranu u aluminijumsku ili polietilensku foliju i uverite se da su pakovanja hermetički zatvorena;
- Ne dozvolite da sveža nezamrznuta hrana dolazi u dodir sa već zamrznutom hranom, kako bi izbegli porast temperature ranije zamrznute hrane;
- Nemasna hrana bolje i duže se čuva od masne hrane; so smanjuje dužinu čuvanja hrane;
- Komadi leda ukoliko se konzumiraju odmah nakon vađenja iz zamrzivača, mogu izazvati oštećenja na koži;
- Preporučljivo je da se na svakom pojedinačnom pakovanju označi datum zamrzavanja i omogući vam da pratite vreme skladištenja

# Svakodnevna upotreba

---

## Saveti za otpremanje zamrznute hrane

Da biste postigli najbolje performanse ovog uređaja, trebalo bi da:

- se uverite da je komercijalna zamrznuta hrana adekvatno spakovana od strane prodavca;
- budete sigurni da je zamrznuta hrana premeštena iz prodavnice do zamrzivača u što kraćem vremenskom roku;
- ne otvarate često vrata ili ih ostavljate otvorena duže nego što je neophodno.
- jednom odmrznuta, hrana se kvari i ne može se ponovo zamrzavati.
- ne dozvolite da istekne vreme dozvoljeno za držanje hrane u zamrzivaču od strane proizvođača hrane.

## Saveti za otpremanje sveže hrane u frižideru

Da biste postigli najbolje performanse:

- Nemojte odlagati toplu hranu ili tečnosti koje isparavaju u frižider
- Poklopite ili umotajte hranu ukoliko ima jaki miris

## Saveti za čuvanje sveže hrane u frižideru

Korisni saveti

- Meso (sve vrste) umotajte u kese za zamrzavanje hrane i odložite na staklene police iznad odeljka za čuvanje povrća i voća.
- Radi sigurnosti, na ovaj način odložite hranu najduže dan-dva.
- Kuvana hrana, hladna jela, i td...treba da se poklopi i može se držati na bilo kojoj polici.
- Voće i povrće: pažljivo očistiti i odložiti u za to namenjenu fioku.
- Maslac i sir: čuvati u za to namenjenu kutiju ili umotati u aluminijumsku foliju ili kesu za zamrzavanje kako bi se što više sačuvali.
- Flaše sa mlekom: moraju imati čep i treba ih držati u pregradama na vratima frižidera.
- Banane, krompir, crni i beli luk, ukoliko nisu upakovani, ne smeju se držati u frižideru.

## Čišćenje

Iz higijenskih razloga unutrašnjost uređaja, uključujući unutrašnje sastavne delove moraju se redovno čistiti.



**Oprez!** Uređaj ne sme biti uključen u struju prilikom čišćenja. Postoji opasnost od elektrošoka! Pre čišćenja isključite uređaj i izvadite utikač iz utičnice. Nikada nemojte čistiti uređaj paročistačem. Vlaga se može zadržati na električnim delovima, opasnost od elektrošoka! Vrela para može dovesti do oštećenja plastičnih delova. Uređaj mora biti suv pre nego što se ponovo pusti u rad.

**Važno!** Eterična ulja i organski rastvarači mogu reagovati sa plastičnim delovima, na primer limunov sok ili sok od pomorandže, buterna kiselina, sredstva za čišćenje koja sadrže sirćetnu kiselinu.

- Nemojte dozvoliti da takve supstance dodju u kontakt sa delovima uređaja.
- Nemojte koristiti nikakva abrazivna sredstva.
- Odstranite hranu iz zamrzivača. Čuvajte je na hladnom mestu, dobro pokrivenu.
- Isključite uređaj i uklonite utikač iz utičnice.
- Očistite uređaj i unutrašnje delove krpom i mlakom vodom. Nakon čišćenja obrišite čistom vodom i dobro osušite.
- Nakon što je sve osušeno ponovo pustite uređaj u rad.

# Svakodnevna upotreba

## Zamena sijalice

Sijalica unutrašnjeg osvetljenja je tipa LED. Za zamenu sijalice molimo da se obratite kvalifikovanom tehničkom osoblju.

## Rešavanje problema



**Oprez!** Pre rešavanja problema, isključite kabl za napajanje. Samo kvalifikovani električar može otkloniti kvar koji nije naveden u ovom uputstvu.

**Važno!** Prilikom normalne upotrebe prisutni su određeni zvuci (kompresor, cirkulacija rashladnog sredstva).

Problem	Mogući uzrok	Rešenje
Uređaj ne radi.	Regulator temperature je podešen na najhladnije.	Podesite regulator na drugo podešavanje i uključite uređaj.
	Utikač nije u utičnici ili nije dobro postavljen.	Priključite dobro utikač.
	Osigurač je pregoreo ili je u kvaru.	Proverite da li je osigurač pravilno postavljen.
	Utičnica je neispravna.	Utičnicu mora zameniti električar.
Uređaj previše hladi.	Postavili ste prenisku temperaturu.	Privremeno postavite termostat na toplije postavke.
Hrana nije dovoljno zamrznuta.	Temperatura u uređaju nije dobro postavljena.	Pridržavajte se uputstava u poglavlju Prva upotreba.
	Vrata su otvorena duže vreme.	Držite vrata otvorena samo koliko je neophodno.
	Velika količina tople hrane stavljena je u uređaj tokom prethodna 24 sata.	Privremeno postavite termostat na hladnije postavke.
	Uređaj je u blizini izvora toplote.	Pridržavajte se uputstava u poglavlju Instalacija.
Stalno gomilanje mraza na vratima.	Zaptivka nije čvrsto postavljena.	Pažljivo zagrejte delove zaptivke gde ima curenja na vratima fenom (na hladnom mestu). Istovremeno ugrejanu zaptivku vrata oblikujte rukom tako da bude pravilno postavljena.
Netipična buka.	Uređaj ne stoji ravno.	Prilagodite visinu nogara.
	Uređaj dodiruje zid ili druge predmete.	Pomerite lagano uređaj.
	Sastavni deo, na pr. cev, sa zadnje strane uređaja dodiruje zid ili drugi deo uređaja.	Ukoliko je potrebno, pažljivo sklonite taj deo.
Na podu je voda.	Otvor za ceđenje vode je zapušten.	Vidite poglavlje Održavanje i čišćenje.
Delovi sa strane su vrelí.	To je normalno. Kondenzacija na stranama uređaja.	Ukoliko je potrebno, uzmite rukavice.

Ukoliko se kvar ponovo javi, kontaktirajte Servisni centar.

Ovi podaci neophodni su da vam brzo i ispravno pomognu. Napišite neophodne podatke ovde, uporedite sa najčešćim problemima iz tabele.

# 1.

## TEHNIČKI PODACI

Tehničke informacije nalaze se na natpisnoj pločici na unutrašnjoj strani uređaja i na energetske nalepnici.

QR kod na energetske nalepnici isporučenoj sa uređajem daje vam web link o informacijama u vezi sa performansama uređaja u EU EPREL bazi podataka. Energetske nalepnicu sačuvajte radi buduće reference zajedno sa uputstvom za upotrebu i svim ostalim dokumentima isporučenim uz ovaj uređaj.

Takođe je moguće pronaći iste informacije u EPREL-u putem linka <https://eprel.ec.europa.eu> i naziva modela i broja proizvoda koji se nalazi na natpisnoj pločici sa podacima o uređaju.

Za detaljne informacije o energetske nalepnici pogledajte link [www.theenergylabel.eu](http://www.theenergylabel.eu)

# 2.

## INFORMACIJE O TESTU PERFORMANSI (TEST INSTITUTE)

Za svaku Eko Dizajn verifikaciju, uređaj mora biti u skladu sa EN 62552 standardom. Ventilacioni zahtevi, dimenzije udubljenja i minimalni vazdušni prostor moraju biti navedeni ovom korisničkom uputstvu u Poglavlju 2. Molimo vas da kontaktirate proizvođača za sve dodatne informacije, uključujući planove utovara.

# 3.

## SERVIS I BRIGA O KORISNIKU

Uvek koristite originalne rezervne delove.

Kada kontaktirate naš ovlašćeni servisni, potrebni su vam sledeći podaci: model, serijski broj i indeks servisa.

Informacije se mogu naći na natpisnoj pločici. Podložne su promenama bez najave. Originalni rezervni delovi za neke određene komponente dostupni su najmanje 7 ili 10 godina, u zavisnosti od vrste komponente, od stavljanja na tržište poslednjeg modela uređaja.

Posetite naš web sajt:

[www.voxelectronics.com](http://www.voxelectronics.com)



SLV

# **Navodila za uporabo**

**Hladilnik z zamrzovalnikom**

**NO FROST**

**NF-3870F**

**EAC**



## Vsebina

1. Varnostna navodila	1-10
2. Splošni videz naprave	11
3. Sprememba smeri odpiranja vrat	12-16
4. Namestitev	17 -21
5. Odpravljanje težav	22
6. Tehnicki podatki	stran 23
7. INFORMACIJA ZA INŠTITUTE ZA PREIZKUŠANJE	stran 23
8. PODPORA UPORABNIKOM IN POPRAVILO	stran 23

Da bi zagotovili varno in pravilno uporabo aparata, pred uporabo pozorno preučita ta navodila, vključno z nasveti in priporočili. Da ne bi prišlo do nesreče oz. napačne uporabe, je pomembno, da so vse osebe, ki uporabljajo aparat seznanjene s temi navodili. Shranite ta navodila, tako da bodo na voljo, v kolikor jih nov uporabnik potrebuje.

Zaradi osebne varnosti in preprečevanja nastanka materialne škode, hranite ta navodila, saj proizvajalec ne odgovarja za škodo nastalo zaradi neupoštevanja navodil.

### **Varnost otrok in ogroženih kategorij oseb**

- Ta aparat lahko uporabljajo otroci starejši od 8 let, oz. osebe z zmanjšanimi telesnimi, zaznavnimi ali umskimi sposobnostmi oz. pomanjkanjem znanja in izkušenj, vendar le pod nadzorom in ob navodilih osebe, ki je odgovorna za njihovo varnost.
- Otroci do osmega leta starosti ne smejo uporabljati aparata.
- Otroke je potrebno nadzorovati, da se ne bi igrali z aparatom.
- Samo otroci starejši od osem let in to izključno pod nadzorom osebe odgovorne za njihovo varnost, lahko opravljajo čiščenje oz. uporabniško vzdrževanje aparata.

• Ves embalažni material držite dlje od otrok. Obstaja

• nevarnost zadušitve. Pri odlaganju odsluženega aparata, izvlecite napajalni kabel iz vtičnice, ga odrežite (na čim krajšo dolžino) ter odstranite vrata aparata, in sicer zato, da se otroci ne bi ujeli v aparat oz. da ne bi prišlo do električnega udara.

• Če ste ta aparat kupili, da bi zamenjali starejši aparat z magnetnim ali mehanskih zapahom, ta zapah oz. ključavnico onesposobite pred odlaganjem aparata. Tako boste preprečili, da aparat postane smrtna past za otroke.

### **Splošni varnostni napotki**

**⚠ POZOR:** Prezračevalne reže na ohišju naprave oz. na vgrajeni strukturi, ne smejo biti ovirane.

**⚠ POZOR:** Ne uporabljajte mehanskih pripomočkov za pospeševanje odtajanja, razen tistih, ki jih priporoča proizvajalec.

**⚠ POZOR:** Pazite, da ne poškodujete tokokrog hladilnega sredstva.

**⚠ POZOR:** Ne uporabljajte električnih aparatov znotraj oddelkov za hranjenje živil, razen če gre za aparate katerih uporabo priporoča proizvajalec.

**⚠ POZOR** Žarnice se v primeru da je bila prižgana

dlje časa ne dotikajte, saj se lahko močno segreje.

**⚠ POZOR:** Pri nameščanju aparata, preverite da napajalni kabel ni zagozden ali poškodovan.

**⚠ POZOR:** Za aparatom ne nameščajte električnih podaljškov z več vtičnicami ali prenosnih električnih napajanj.

- Ne hranite vnetljivih snovi, npr. pločevink s vnetljivim pogonskim plinom v aparatu.

- Hladilno sredstvo izobutan (R-600a) v tokokrogu aparata, je okolju prijazen naravni plin, vendar je kljub temu vnetljiv.

- Pri prevozu in namestitvi aparata, se prepričajte, da nobena od komponent hladilnega tokokroga ni poškodovana.

- Držite aparat dlje od odprtega ognja in drugih virov vžiga.

- Dobro prezračite prostor v katerem je aparat nameščen.

- Prilagajanje specifikacij oz. kakršnakoli modifikacija aparata je nevarna. Kakršnakoli poškodba napajalnega kabla, lahko povzroči kratek stik, požar in/ali električni udar.

- Ta aparat je namenjen za uporabo v

gospodinjstvu in podobnih vlogah, npr. v kuhinjah za

osebje, pisarnah in drugih poslovnih okoljih, kmetijah in hotelih, modelih in drugih

nastanitvenih objektih, objektih, ki nudijo nočitev z zajtrkom, podjetjih, ki se ukvarjajo z oskrbo s hrano in pijačo in podobnih vlogah, ki niso vezane za maloprodajo.

**⚠ POZOR:** Kakršnokoli popravilo oz. zamenjavo električnih delov (vtikač, napajalni kabel, kompresor itn.) mora opraviti pooblaščen serviser ali ustrezno usposobljeno osebje.

**⚠ POZOR:** Žarnica, ki jo dobite skupaj z aparatom je “za posebne namene” tj. Namenjena samo uporabi s to vrsto aparata. Ta žarnica ni primerna za razsvetljavo v gospodinjstvu. <sup>1)</sup>

- Napajalnega kabla ne smete podaljševati.
- Preverite, da električni vtič za aparatom. Poškodovan vtič lahko povzroči električni udar oz. požar.
- Prepričajte se, da je vtič tudi po namestitvi zlahka dostopen.
- Ne vlecite napajalnega kabla.
- Vtiča ne priključujte na če el. vtičnica ni pravilno

nameščena. V nasprotnem lahko pride do el. udara oz. požara.

- Aparata brez žarnice ne uporabljajte.
- Aparat je težak. Pri premikanju je potrebno biti izjemno pozoren.
- Živil iz zamrzovalnega oddelka se ne dotikajte z mokrimi rokami, saj lahko pride do omrzlin oz. ran na rokah.
- Aparata ne izpostavljajte direktni sončni svetlobi za daljša časovna obdobja.

### **Vsakodnevna uporaba**

- Ne odlagajte vročih predmetov na plastične površine aparata.
- Živil ne shranjujte tik ob zadnjo steno v notranjosti aparata.

### **Varnostna navodila**

Zamrznjene hrane po odmrzovanju ne smete ponovno zamrzovati.<sup>1)</sup>

- Vnaprej zamrznjena živila hranite v skladu z navodili proizvajalca.<sup>1)</sup>
- Priporočila proizvajalca glede hranjenja aparatov je potrebno strogo upoštevati. Preučite pripadajoča navodila.
- Gaziranih pijač ne hranite v zamrzovalnem

1) Če je aparat opremljen z žarnico.

oddelku, saj lahko tlak povzroči eksplozijo, katera lahko poškoduje aparat.<sup>1)</sup>

- Sladoled, ledene lučke lahko povzročijo omrzline, če se zaužijejo takoj po jemanju iz zamrzovalnika.<sup>1)</sup>
- Da ne bi prišlo do kontaminacije hrane, prosimo upoštevate naslednja navodila:
- Držanje vrat hladilnika odprtih za daljši čas lahko znatno poveča temperaturo v hladilniku.
- Redno čistite površine, ki lahko pridejo v stik z živali ter dostopne drenažne kanale.
- Posode za vodo očistite, če se ne uporabljajo dlje od 48 ur, izperite vodno napeljavo, če voda ni sipana dlje od 5 dni.
- Surovo meso in ribo hranite v primernih posodah, tako da ne pride v stik z oz. kaplja po drugih živilih.
- Zamrzovalni oddelki z dvema zvezdicama so primerni za hranjenje vnaprej zamrznjenih živil, za pripravo sladoleda in ledenih kock.
- Oddelki z eno, dvema, in tremi zvezdicami niso primerni za zamrzovanje svežih živil.
- Če aparata dlje časa ne nameravate uporabljati, ga izklopite, odtalite, očistite, posušite, in pustite

1) Če aparat ima zamrzovalni oddelek.

2) Če aparat ima hladilni oddelek.

vrata priprta, da v aparatu ne bi nastajala plesen.

### Čiščenje in vzdrževanje

- Pred čiščenjem oz. vzdrževanjem, izključite aparat iz električnega napajanja.
- Aparata ne čistite s kovinskimi pripomočki.
- Ne uporabljajte ostrih pripomočkov za odstranjevanje ledenih oblog. Uporabite plastično strgalo.<sup>1</sup>
- Redno preverjajte ali je drenažni kanal v aparatu zamašen. Če je to potrebno, ga očistite.

V kolikor je drenažni kanal zamašen, se bon a dnu aparata nabirala voda.<sup>2)</sup>

### Namestitev

**Pomembno!** Pri priključitvi aparata na električno omrežje pozorno sledite navodila iz ustreznega poglavja navodil.

- Odstranite embalažo aparata in preverite ali aparat ni poškodovan. Če opazite poškodbe ne priključujte aparata. Takoj prijavite morebitne poškodbe prodajalcu, v takem primeru pa prav tako hranite embalažo.

1) Če aparat ima zamrzovalni oddelek.  
2) Če aparat ima hladilni oddelek.



- Po namestitvi je priporočljivo počakati vsaj nekaj ur, da bi se olje steklo nazaj v kompresor.
- Okoli aparata morate zagotoviti ustrezen prostor za kroženje zraka, v nasprotnem bo prišlo do pregrevanja. Glede zagotovitve ustreznega prezračevanja upoštevajte navodila za namestitev.
- Kjer je le možno, naj zadnja stran aparata gleda na zid, da ne bi prišlo do dotikanja komponent (kompresor, kondenzator) tj. da ne bi prišlo do nevarnosti požara.
- Aparat ne sme biti postavljen v bližino radiatorjev ali štedilnikov.
- Prepričajte se, da električna vtičnica ostane dostopna tudi po namestitvi aparata.

### **Popravilo**



- Kakršenkoli poseg zaradi popravila električnih komponent, sme opraviti samo pooblaščen serviser oz. ustrezno usposobljeno osebje.
- Izdelek sme popravljati samo pooblaščen serviser, z originalnimi rezervnimi deli.

### **Varčevanje z energijo**


- V hladilnik ne vstavljajte vročih živil;
- Živila v hladilnik ne zlagajte drugo tik ob drugega, da ne bi ovirali kroženje zraka;

- Prepričajte se, da se živila ne dotikajo zadnje strani hladilnega oz. zamrzovalnega oddelka.;
- e pride do izpada električne energije, ne odpirajte vrat;
- Ne odpirajte vrat prepogosto;
- Vrat ne držite odprtih dlje časa;
- Ne izbirajte preveč hladne nastavitve temperature na termostatu;
- Za optimalno varčevanje z energijo, vse predale, police itn. postavite na označena mesta.

### **Zaščita okolja**

 Aparat ne vsebuje plinov škodljivih za ozonsko plast, bodisi v izolacijskih materialih, bodisi v hladilnem sredstvu. Aparata ne smete odlagati kot navaden gospodinjski odpad. Izolacijska pena vsebuje vnetljive pline: aparat je potrebno odlagati v skladu s predpisi, o katerih se lahko pozanimate pri krajevnih oblasteh. Pazite da ne poškodujete hladilnega tokokroga, posebej toplotnega izmenjevalca. Surovine v tem izdelku, ki so označene s simbolom  so primerne za recikliranje.

Ta oznaka pomeni, da tega izdelka v EU ne gre odlagati kot navaden gospodinjski odpadek. Da ne

 bi prišlo do onesnaževanja okolja in ogrožanja zdravja ljudi, vas prosimo da odgovorno odlagate to vrsto izdelka in pripomorete ponovni uporabi surovin. Pri odlaganju uporabite reciklažna zbirna mesta, ki so vam na voljo oz. se obrnite na prodajalca, kjer ste izdelek kupili.

## **Embalažni material**


Materiali označeni z ustreznimi simbolom, so primerni za recikliranje.

Embalažo odlagajte v ustrezne kontejnerje za recikliranje.

## **Odlaganje odpadnega izdelka**

1. Izključite napajalni kabel iz električne vtičnice.
2. Odrežite napajalni kabel in ga odvrzite v smeti.



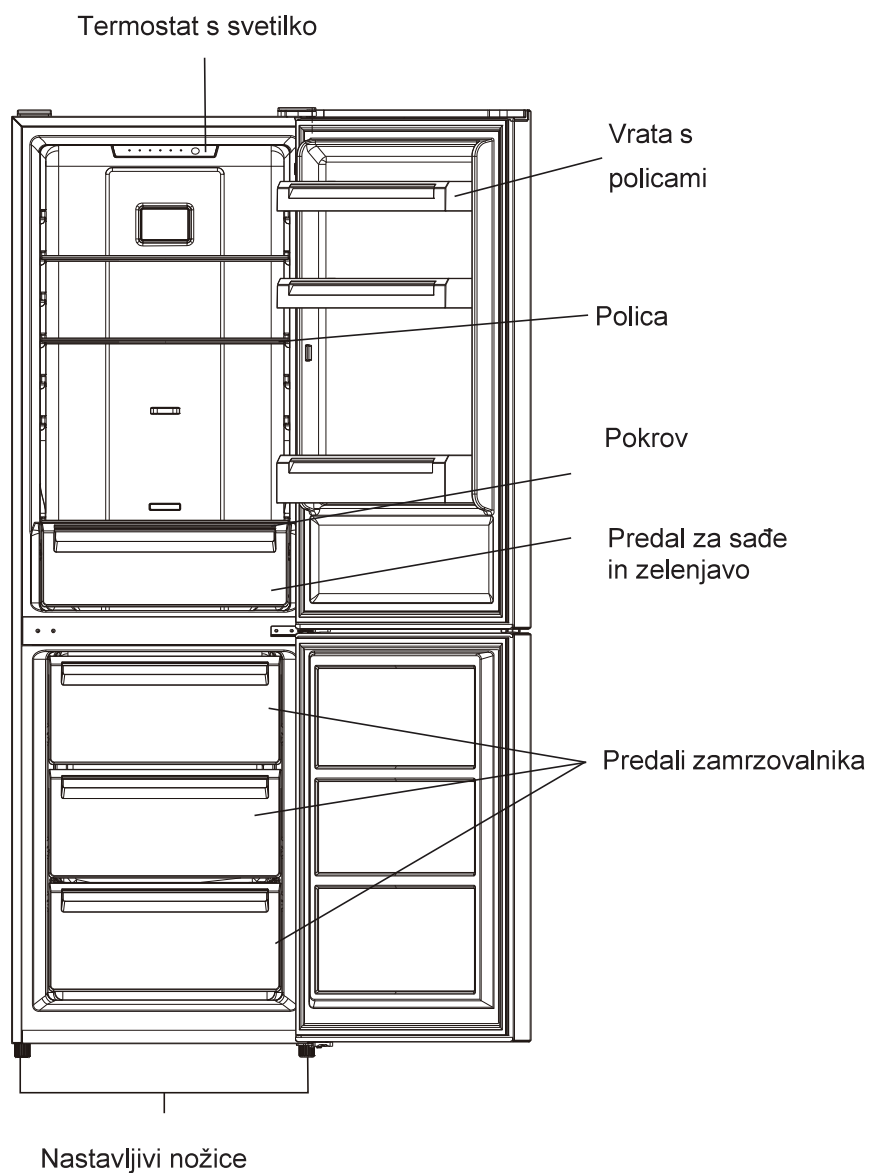
 **POZOR!** Med uporabo, pri popravilu in pri odlaganju odpadne naprave, prosimo bodite pozorni na zgornjo oznako, ki se nahaja na zadnji strani aparata (zadnja plošča oz. kompresor) in je rumene ali oranžne barve.

Gre za simbol požarne nevarnosti. V ceveh hladilnega tokokroga in v kompresorju se nahajajo vnetljive snovi.

Aparat vedno držite dlje od virov odprtega ognja in drugih potencialnih virov vžiga.

## Opis aparata

---



Opomba: Ta slika delov naprave je ilustrativne narave.

# Vgradnja

---

## Zahteve glede prostora

- Izberite prostor, kjer aparat ne bo izpostavljen direktni sončni svetlobi;
- Izberite prostor, kjer bo dovolj prostora za odpiranje vrat hladilnika;
- Izberite prostor, kjer so tla vodoravna;
- Zagotovite dovolj prostora za postavitve aparata na ravno površino;
- Pri postavitvi aparata zagotovite kroženje zraka z vseh strani. To bo omogočilo nižjo porabo električne energije.
- Zagotovite najmanj 50 mm praznega prostora z zadnje, leve in desne strani aparata.

## Namestitev

Aparat postavite v suh in zračen prostor. Pravilno deluje pri temperaturah okolice, ki so podane v tabeli. Razred je naveden na etiketi z osnovnimi podatki o aparatu:

Postavite aparat na mesto, kjer temperatura okolja ustreza klimatskemu razredu navedenemu na napisni tablici aparata:

- Širše zmerno podnebje: 'aparat je namenjen uporabi v temperaturnem obsegu od 10 °C do 32 °C' (SN);
- Zmerno podnebje: 'aparat je namenjen uporabi v temperaturnem obsegu od 16 °C do 32 °C' (N);
- Subtropsko podnebje: 'aparat je namenjen uporabi v temperaturnem obsegu od 16 °C do 38 °C' (ST);
- Tropsko podnebje: 'aparat je namenjen uporabi v temperaturnem obsegu od 16 °C do 43 °C' (T);

## Ustrezen prostor

Hladilni aparat postavite čim dlje od virov toplote, npr. radiatorjev, grelnikov, neposredne sončne svetlobe itd. Prepričajte se, da lahko zrak neovirano kroži tudi na hrbtne strani aparata. Če postavite aparat pod visečo kuhinjsko omarico, bo pravilno delovanje možno le, če bo med hladilnikom in kuhinjsko omarico vsaj 100 mm prostora. Najbolje pa je, če aparat ne stoji pod visečo kuhinjsko omarico. Za pravilno uravnanost aparata poskrbite s pomočjo nastavljenih nog.



**POZOR!** Aparat priključite na električno omrežje skladno z navodili, podanimi v tej knjižici.

## Priključitev aparata

- Aparat priključite na električno omrežje z napajalnim kablom. Zidna vtičnica mora imeti ozemljitveni kontakt (varnostna vtičnica). Predpisana nazivna napetost in frekvenca sta navedeni na etiketi z osnovnimi podatki o aparatu.
- Priključitev na električno omrežje in ozemljitev aparata morata biti izvedeni po veljavnih standardih in predpisih.
- Če vtičnica ni ozemljena, posebej priključite ozemljitveni vod skladno z veljavnimi predpisi; posvetujte se z ustrezno usposobljenim osebjem. Proizvajalec ne prevzema odgovornosti za morebitno škodo ali poškodbe, če ta navodila niso bila upoštevana. Aparat je skladen z evropskimi predpisi.

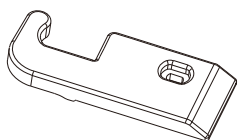
# Namestitev

## Sprememba orientacije vrat

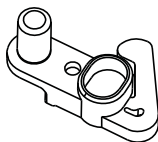
Pred spremembo orientacije vrat, prosimo pripravite spodaj navedeno orodje in material: izvijač z ravno konico, križni izvijač, vijadni ključ in komponente priložene napravi v plastični vrečki.

**rk**

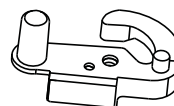
Levi tečaj vrat x 1



Levo pomagalo za zapiranje zgornjih vrat x1**k**

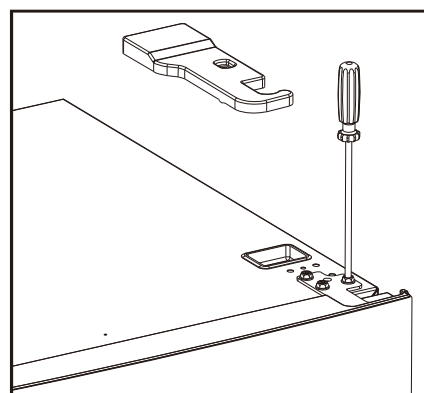
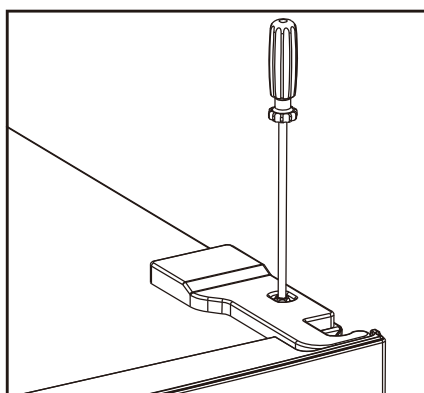


Levo pomagalo za zapiranje spodnjih vrat x1**k**

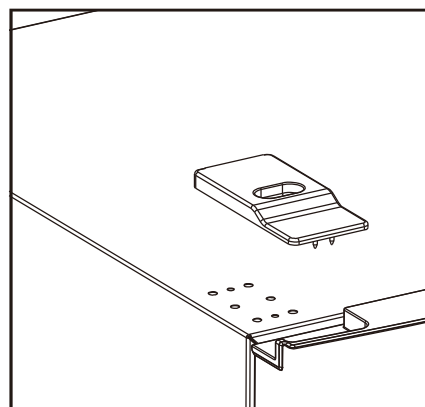
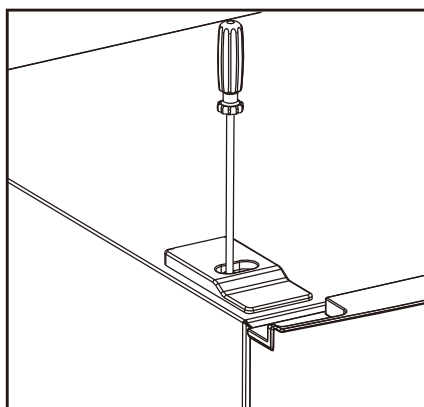


1. Odvijte pokrov zgornjega tečaja, nato pa odvijte zgornji tečaj .

Nato dvignite in odstranite zgornja vrata, ter jih položite na mehko podlago, da ne bi prišlo do poškodb.

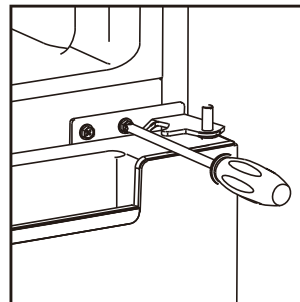


2. Odstranite pokrov vijaka zgoraj levo.

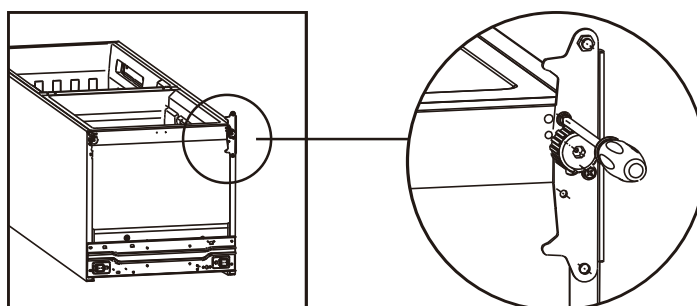


# Namestitev

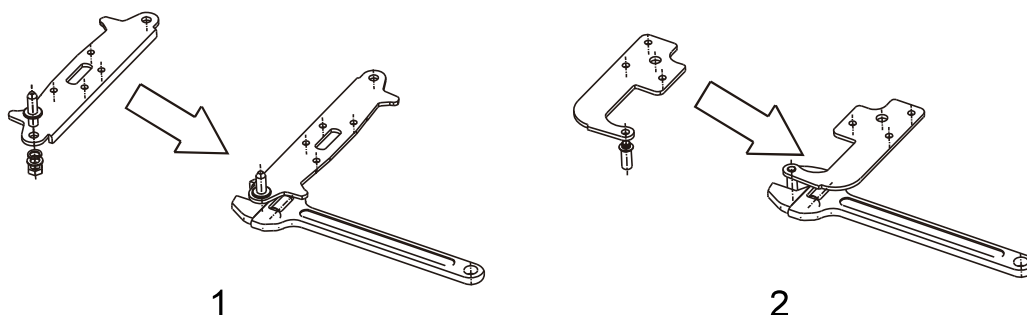
3. Snemite zgornja vrata, odvijte vijake srednjega tečaja s križnim izvijačem, ter snemite spodnja vrata.



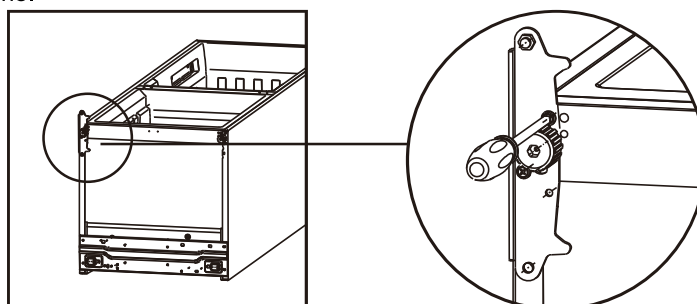
4. Položite aparata na hrbet, in odstranite nastavljive nogice, kot je prikazano, nato odvijte spodnji tečaj s križnim izvijačem.



5. Premaknite sornike zgornjega in srednjega tečaja na nasprotno stran, kot je prikazano.



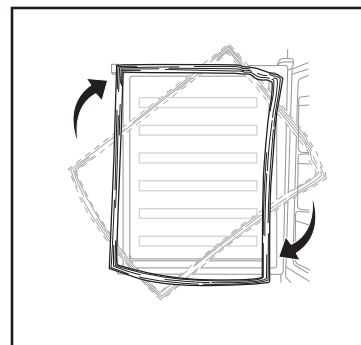
6. Namestite spodnji tečaj pod aparatom, kot je prikazano, privijte prilagodljive nogice ter preverite, da so vodoravno poravnane.



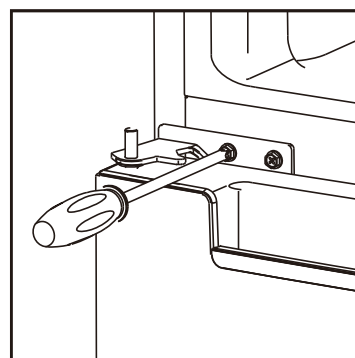
# Namestitev

---

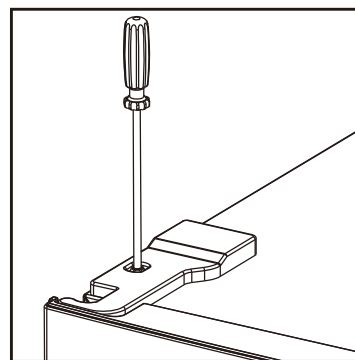
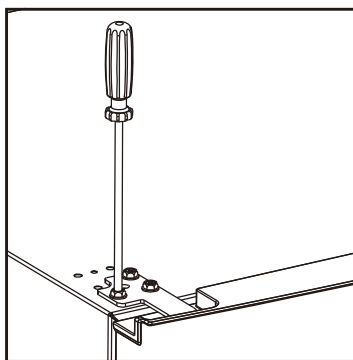
7. Odstranite tesnila vrat hladilnika in zamrzovalnika, jih obrnite in ponovno namestite.



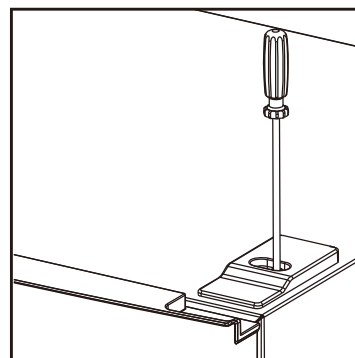
8. Namestite spodnja vrata, poravnajte in pritrdite srednji tečaj na ohišje.



9. Ponovno namestite zgornja vrata. Prepričajte se, da so vrata navpično in vodoravno poravnana, tako da se tesnila z vseh strani ustrezno prilegaje, preden privijete zgornji tečaj. Nato postavite zgornji tečaj in ga privijte na vrh aparata, ter privijte pokrov tečaja (iz vrečke z deli).



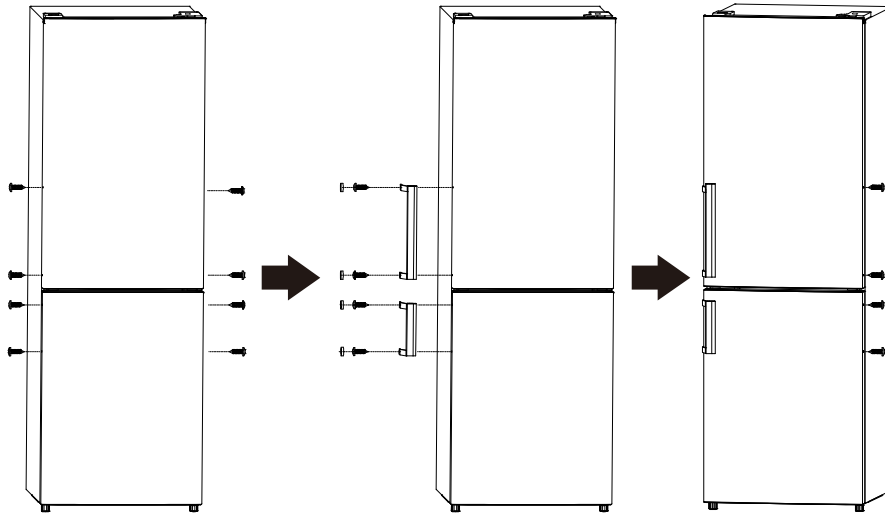
10. Namestite pokrov vijaka.





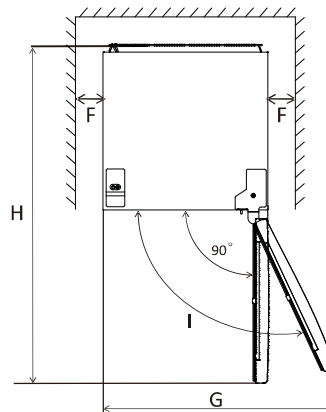
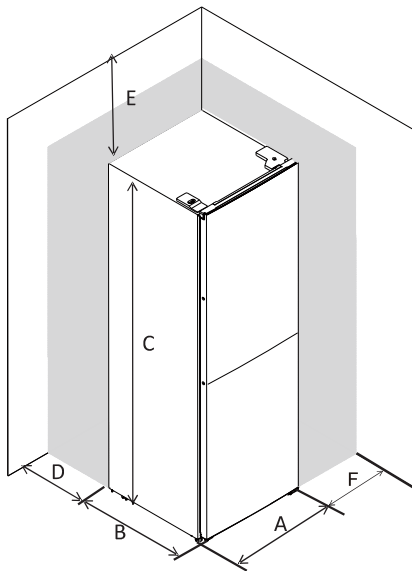
# Namestitev

## Namestitev zunanjega ročaja vrat (če je prisoten)



## Prostorske zahteve

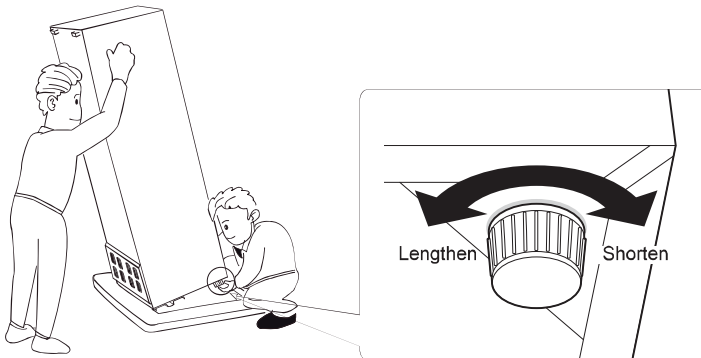
- Pustite dovolj prostora za odpiranje vrat.
- Dovolite vsaj 50 mm prostora na obeh straneh.



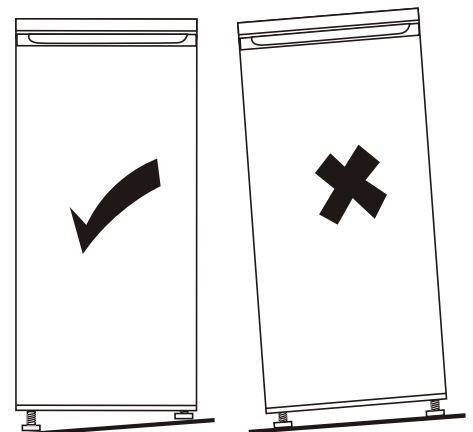
A	600
B	672
C	1855
D	min=50
E	min=50
F	min=50
G	1200
H	1285
I	135°

## Uravnavanje aparata

Za uravnavanje aparata uporabite nogice s prilagodljivo višino na sprednji strani aparata. Če aparat ni vodoraven, lahko pride do neustreznega naleganja vrat na magnetna tesnila.



Daljšanje - Krajšanje

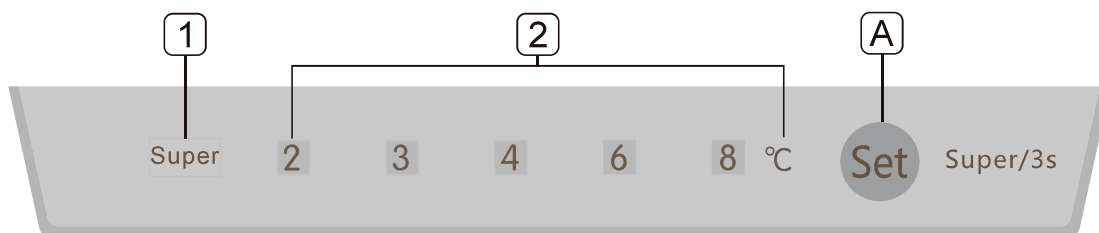


# Uporabniški vmesnik

## 1. Nastavitve temperature hladilnega oddelka

Nastavitve temperature hladilnika

Plošča



### 1.1 Tipka za nastavitvev

 Tipka za nastavitvev


S kratkim pritiskom na to tipko nastavite temperaturo. Če pritisnete in držite to tipko 3 sekunde, aktivirate "Super" način.

### 1.2 Indikatorji


- 1) Indikator Super načina: indikator se bo prižgal, kadar izberete Super način.
- 2) Indikatorji nastavitve temperature hladilnega oddelka. Prižgani indikator označuje izbrano temperaturo.

### 1.3 Super način

Nastavitvev super načina:

Držite tipko  pritisnjeno 3 sekunde, da se prižge indikator



Kadar nastavite Super način, bo temperatura hladilnega oddelka ostala na predhodni nastavitvi in jo ni mogoče spreminjati s tipko .

Izhod iz Super načina

- Držite tipko ( A ) pritisnjeno 3 sekunde
- Aparat se bo samodejno povrnil v privzeti način obratovanja po 50 urah obratovanja v Super načinu.

## 2. Nastavitvev temperature zamrzovalnega oddelka

Drnsnik nastavitve temperature zamrzovalnega oddelka:


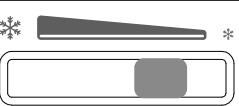
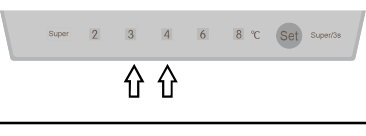
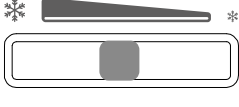

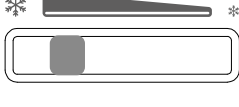
### NASTAVITEV ZAMRZOVALNIKA



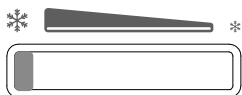
- Ta drsnik se uporablja za nastavitvev temperature zamrzovalnika.
- S premikanjem drsnika proti ❄️, bo temperatura zamrzovalnika višja
- In obratno, s premikanjem drsnika proti ❄️, bo temperatura zamrzovalnika nižja.
- Za običajno uporabo priporočamo nastavitvev drsnika na sredino.

# Uporabniški vmesnik

## 3. Priporočila za nastavitve temperature

Priporočila za nastavitve temperature		
Temperatura okolja	Hladilni oddelek	Zamrzovalni oddelek
Toplo >27°C		
Običajno 17°C~27°C		
Hladno <17°C		

**POZOR!** Prosimo, da drsnik nikoli ne nastavite povsem levo, kot je spodaj prikazano.



## Vsakodnevna uporaba

### Prva uporaba

#### Čiščenje notranjosti

Pred prvo uporabo aparata, očistite notranjost in vso notranjo opremo z mlačno vodo in milom, da odstranite karakteristični vonj novega izdelka, nato pa temeljito posušite.

**Pomembno!** Ne uporabljajte čistilnih sredstev ali grobega praška, saj lahko tako poškodujete površine aparata.

### Vsakodnevna uporaba

Živila v aparatu razporedite v oddelke, kot je navedeno v spodnji tabeli

Oddelek hladilnika	Vrsta živil
Vrata ali vratni predali hladilnega oddelka	<ul style="list-style-type: none"><li>• Živila z naravnimi konzervativi, npr. marmelada, sokovi, sladkarije.</li><li>• Tukaj ne hranite kvarljivih živil.</li></ul>
Predal za sadje in zelenjavo	<ul style="list-style-type: none"><li>• Sadje in zelenjavo je potrebno ločeno hraniti v tem predalu.</li><li>• V hladilniku ne hranite banan, čebule, krompirja in česna.</li></ul>
Srednja polica hladilnega oddelka	<ul style="list-style-type: none"><li>• Mlečni izdelki, jajca</li></ul>
Vrhna polica hladilnega oddelka	<ul style="list-style-type: none"><li>• Hrana, ki jo ni potrebno pripravljati, npr. Vnaprej pripravljene obroki, delikatesa, ostanki obroka.</li></ul>
Predali zamrzovalnika	<ul style="list-style-type: none"><li>• Živila, ki jih nameravate hraniti daljše časovno obdobje.</li><li>• Spodnji predal – meso, riba</li><li>• Srednji predal – zamrznjena zelenjava, pomfrit</li><li>• Zgodnji predal – sladoled, zamrznjeno sadje, zamrznjena peciva</li></ul>

#### Zamrzovanje sveže hrane

- Zamrzovalni oddelek je primeren za zamrzovanje svežih živil in dolgoročno hranjenje zamrznjenih in globoko zamrznjenih živil.
- Vstavite sveža živila, ki jih želite zamrzniti v zamrzovalni oddelek.
- Največja količina hrane, ki jo je mogoče zamrzniti v 24 urah je navedena na napisni tablici aparata.
- Čas, ki je potreben, da živila zamrznejo znaša 24 ur. V tem obdobju ne dodajajte drugih živil v zamrzovalnik.
- Za boljšo učinkovitost zamrzovanja, dan pred dodajanjem živil za zamrzovanje nastavite SUPER način obratovanja.

#### Hranjenje zamrznjenih živil

Pri prvem zagonu ali po daljšem obdobju mirovanja, pred vstavljanjem živil v zamrzovalni oddelek, pustite, da aparat obratuje na najvišjih nastavitvi hlajenja vsaj dve uri.

**Pomembno!** V primeru da pride do slučajnega taljenja živil, npr. zaradi izpada električne energije za časovno obdobje daljše od tistega navedenega v razpredelnici tehničnih lastnosti pod »čas taljenja«, odmrznjena živila morate v kratkem zaužiti ali pa takoj skuhati/speči in ponovno zamrzniti po pripravi.

#### Odtajanje

Zamrznjena oz. globoko zamrznjena živila lahko odtajate v hladilnem oddelku ali pri sobni temperaturi, v odvisnosti od časa, ki ga imate na voljo.

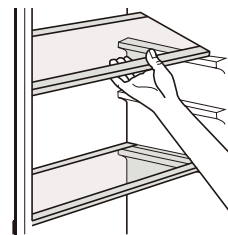
Manjše kose živil lahko kuhate tudi neposredno vzete iz zamrzovalnika. V tem primeru, bo kuhanje trajalo dlje časa.

# Vsakodnevna uporaba

## Oprema

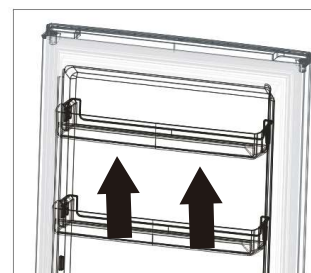
### Premične police

Na bočnih zidovih aparata se nahaja niz vodil, tako da police lahko postavite na poljubno višino.



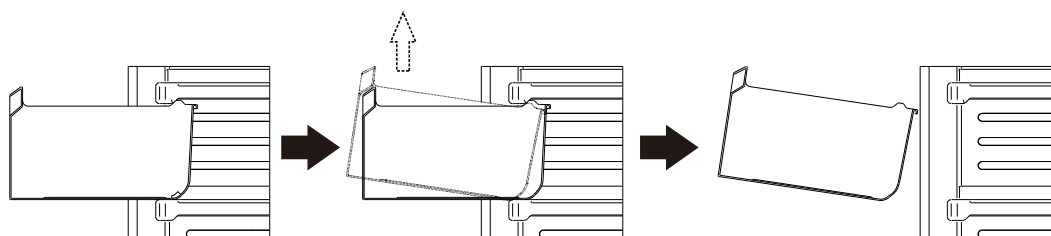
### Nameščanje vratnih predalov

Vratne predale lahko pri čiščenju odstranite. To lahko storite na naslednji način: Postopoma izvlecite vrtni predal v smeri puščic na sliki, dokler se ne osvobodi, nato pa ga vstavite v zeleno ležišče.



### Odstranjevanje spodnjega predala

1. Povlecite predal navzven do ovire.
2. Dvignite sprednji del predala.
3. Izvlecite spodnji del predala.



## Koristni nasveti

### Nasveti za zamrzovanje

Da bi učinkovito uporabljali zamrzovalnik, Vam nudimo nekaj pomembnih nasvetov:

- Največja količina živil, ki jo je mogoče zamrzniti v 24 urah, je navedena na napisni tablici aparata.
- Zamrzovanje traja 24 ur, v tem času ne dodajajte dodatnih živil v zamrzovalnik.
- Zamrzujte samo sveža, kakovostna živila, ki ste jih predhodno temeljito očistili.
- Pripravite manjše zavoje živil, tako da se lahko hitro in popolnoma zamrznejo in da kasneje lahko uporabite le tisto količino živil, ki jo potrebujete.
- Živila zavijte v aluminijsko ali plastično folijo, ter se prepričajte, da zavoj ne prepušča zraka.
- Ne dovolite, da se sveža živila dotikajo zamrznjenih živil, da ne bi prišlo do dviga temperature že zamrznjenih živil.
- Živila z manjšo vsebnostjo maščob zdržijo v zamrzovalniku dlje od tistih z večjo vsebnostjo maščob. Sol poslabša zdržljivost živila v zamrzovalniku.
- Voda oz. led, ki bi ga zaužili takoj po jemanju iz zamrzovalnika, lahko povzroči omrzline na koži.
- Priporočamo Vam, da na vsakem zavoju hrane vpišete datum zamrzovanja, da bi imeli pregled koliko časa so živila shranjena v zamrzovalniku.

# Vsakodnevna uporaba

---

## Nasveti za hranjenje zamrznjenih živil

Za najbolj učinkovito obratovanje aparata, svetujemo naslednje:

- Prepričajte se, da je vnaprej zamrznjena hrana bila pravilno hranjena pri prodajalcu.
- Poskrbite da vnaprej zamrznjeno hrano po nakupu v trgovini čimprej prenesete v zamrzovalnik.
- Ne odpirajte vrat aparata prepogosto oz. ne puščajte jih odprtih več časa, kot je nujno.
- Po odmrznitvi se živila hitro kvarijo in ni jih mogoče ponovno zamrzniti.
- Upoštevajte rok uporabe, ki ga navaja proizvajalec živila.

## Nasveti za hranjenje svežih živil v hladilniku

Za najbolj učinkovito obratovanje aparata, svetujemo naslednje:

- V hladilnik ne vstavljajte toplih ali vročih živil oz. tekočin, ki še izhlapevajo.
- Zavijte ali pokrijte hrano, posebej če ima močan vonj.

## Nasveti za hranjenje svežih živil v hladilniku

Koristni nasveti

- Meso (vseh vrst) zavijte v polivinilaste vrečke in postavite na stekleno polico nad predalom za zelenjavo.
- Zaradi varnosti, tako hranite živila najdlje 2 dni.
- Kuhane jedi, hladne narezke itd. zaprite s pokrovom in postavite na katerokoli polico.
- Sadje in zelenjavo temeljito očistite in postavite v zanje namenjen predal.
- Maslo in sir zaprite v posebne neprepustne posode ali zavijte v plastično ali aluminijško folijo, ter iz zavoja iztisnite čim več zraka.
- Steklenice mleka bi morale imeti zamašek, postavite jih na predale v vratih.
- Banane, krompir, čebulo in česen, razen če niso v embalaži, ne hranite v hladilniku.

## Čiščenje

Zaradi higiene je potrebno notranjost aparata ter notranjo opremo redno čistiti.



**Pozor!** Aparat je pred čiščenjem potrebno izključiti iz električne vtičnice. Obstaja nevarnost električnega udara! Pred čiščenjem aparat izklopote ter izključite iz električnega napajanja oz. izklopote varovalko. Nikoli ne čistite aparata s parnim čistilnikom. Vlaga bi lahko v takem primeru prodrla v električne komponente aparata, obstaja nevarnost električnega udara! Vroča para lahko povzroči poškodbe plastičnih delov. Aparat se mora pred ponovno uporabo posušiti.

**Pomembno!** Eterična olja in organska topila lahko poškodujejo plastične dele, npr. limonada, oranžada, maslena kislina, čistilna sredstva, ki vsebujejo očetno kislino.

- Ne dovolite, da bi takšne snovi prišle v stik z deli aparata.
- Ne uporabljajte grobih oz. abrazivnih čistilnih sredstev.
- Odstranite živila iz zamrzovalnika. Shranite jih na sveže mesto, dobro zavite oz. zapakirane.
- Ugasnite aparat in ga izključite iz električne vtičnice, ali pa ga ugasnite oz. odstranite varovalko.
- Očistite aparat in notranjo opremo s krpo in toplo vodo. Po čiščenju pobrišite s čisto vodo in pobrišite na suho.
- Kadar se aparat povsem posuši, ga lahko ponovno zaženete.

# Vsakodnevna uporaba

## Manjava žarnice

Žarnica notranje svetilke je tipa LED. Za menjavo žarnice se prosimo obrnite na ustrezno usposobljeno tehnično osebje.

## Odpravljanje težav



**Pozor!** Pred odpravljanjem težav, izključite aparat iz električne vtičnice. Popravila oz. odpravljanje težav, ki ni opisano v tem priročniku, sme opravljati samo ustrezno usposobljen električar.

**Pomembno!** Pri normalnem obratovanju aparat proizvaja določen hrup (kompresor, kroženje hladilnega sredstva)

Težava	Možen vzrok	Rešitev
Aparat ne obratuje.	Gumb za nastavitve temperature je na najnižji nastavitvi	Spremenite nastavitve z gumbom
	Vtikač ni v vtičnici ali ni dobro vstavljen.	Preverite ali je vtikač pravilno vstavljen.
	Varovalka je pregorela ali je pokvarjena.	Preverite varovalke.
	Vtičnica je pokvarjena.	Vtičnico mora zamenjati električar.
Aparat preveč hladi.	Nastavili ste prenizko temperaturo.	Začasno obrnite gumb termostata na toplejšo nastavitvev.
Živila so preveč topla.	Temperatura v aparatu ni ustrezno nastavljena.	Upoštevajte navodila v poglavju Prva uporaba.
	Vrata so bila dlje časa odprta.	Vrata naj bodo odprta le kolikor je nujno potrebno.
	V aparat ste v zadnjih 24 urah vstavili večjo količino toplih živil.	Začasno obrnite gumb termostata na hladnejšo nastavitvev.
	Aparat stoji ob viru toplote.	Upoštevajte navodila v poglavju Namestitvev.
Obilno nabiranje ledu na tesnilu vrat	Tesnilo slabo tesni	Pozorno segrevajte dele tesnila, ki ne tesnijo dobro s sušilnikom za lase (na najnižji nastavitvi). Hkrati z roko oblikujte tesnilo tako, da se dobro prilega podlagi.
Neobičajni zvoki.	Aparat ne stoji ravno.	Prilagodite višino nožic.
	Aparat se dotika zidu ali poleg stoječega pohištva.	Nekoliko ga odmaknite.
	Kakšen od delov, nor. cev na hrbtni strani, se dotika drugega dela ali zidu.	Po potrebi previdno premaknite del, da se ne prihaja več do stika.
Na tleh je voda.	Odprtina za odcejanje vode je zamašena.	Gl. poglavje Vzdrževanje in čiščenje.
Stranska plošča je topla.	To je normalno. Kondenzacija na notrani strani plošče	Če je to potrebno, uporabite rokavice pri preverjanju stranskih plošč.

Če se težave nadaljujejo, prosimo stopite v stik s pooblaščenim servisom.

Ti podatki so potrebni, da hitro in pravilno odpravite težave. Tukaj zapišite potrebne podatke z napisne tablice.

1.

## TEHNIČNI PODATKI

Tehnični podatki se nahajajo na napisni tablici na notranji strani aparata in na energijski nalepnici.

Prek QR koda na energijski nalepnici lahko dostopate do spletne povezave z informacijami o zmogljivosti aparata v EU EPREL bazi podatkov.

Shranite energijsko nalepnico skupaj z navodili za uporabo in drugo dokumentacijo, ki ste jo dobili z aparatom.

Iste podatke lahko najdete tudi v bazi podatkov EPREL na spletnem naslovu <https://eprel.ec.europa.eu> z nazivom modela in številko izdelka, ki sta izpisana na napisni tablici aparata.

Obiščite spletno stran [www.theenergylabel.eu](http://www.theenergylabel.eu) za podrobnejše informacije o energijski nalepnici.

2.

## INFORMACIJA ZA INŠTITUTE ZA PREIZKUŠANJE

Aparat z oznako EcoDesign ustreza zahtevam standarda EN 62552.

Zahteve v zvezi s prezračevanjem, velikosti odprtih in minimalni razdalji za aparatom ustrezajo vrednostim navedenim v teh navodilih za uporabo v Poglavju 2.

Prosimo stopite v stik s proizvajalcem, če potrebujete podrobnejše informacije, vključno z razporedi nalaganja.

3.

## PODPORA UPORABNIKOM IN POPRAVILO

Vedno uporabljajte originalne rezervne dele. Kadar pokličete pooblaščenega serviserja, imejte pri roki naslednje podatke: Model, Serijsko številko in Servisni seznam.

Te informacije najdete na napisni tablici. Lahko se spremenijo brez predhodnega obvestila.

Originalni rezervni deli za določene komponente so na voljo najmanj 7 do 10 let, v odvisnosti od vrste dela in datuma prodaje na tržišču zadnjega primerka modela.

Obiščite našo spletno stran:

[www.voxelectronics.com](http://www.voxelectronics.com)





HRV/  
BOS

# Upute za uporabu

**Hladnjak sa zamrzivačem**

NO FROST tehnologija

**NF-3870F**

**EAC**

## Sadržaj

1. Sigurnosne informacije	strana 1-10
2. Opći izgled uređaja	strana 11
3. Instalacija	strana 12-16
4. Svakodnevna uporaba	strana 17 -21
5. Rješavanje problema	strana 22
6. Tehnički podaci	strana 23
7. INFORMACIJE O TESTU PERFORMANSI (TEST INSTITUTE)	strana 23
8. SERVIS I BRIGA O KORISNIKU	strana 23

U Vašem je interesu da osigurate pravilnu i sigurnu uporabu, te prije postavljanja i prve uporabe uređaja, pažljivo pročitajte ovaj korisnički priručnik, uključujući i nje o ve savjete i upozorenja. Da biste izbjegli nepotrebne reške i neode, neophodno je da svi korisnici uređaja budu detaljno upoznati sa njegovim radom i sigurnim funkcijama. Sačuvajte ove upute i osigurajte da ostanu u uređaju ako mu mijenjate mjesto ili ga prodajete, tako da svi koji ga koriste tijekom njegovog vijeka trajanja budu pravilno informirani o uporabi i sigurnosti uređaja. Radi sigurnosti života i imovine pridržavajte se naputaka u ovom korisničkom priručniku, jer proizvođač ne snosi odgovornost za štetu nastalu nepoštovanjem mjera opreza.

### **Sigurnost djece i osoba sa smanjenim sposobnostima**

- Ovaj aparat mogu koristiti djeca dobi od 8 i više godina i osobe sa smanjenim fizičkim, osjetilnim ili mentalnim sposobnostima ili nedostatkom iskustva i znanja, ako su pod nadzorom ili ako su dobile upute o korištenju uređaja na siguran način i razumiju opasnosti kojima mogu biti izložene.
- Djeci u dobi od 3 do 8 godina dopušteno je puniti i pražniti rashladne uređaje.
- Djeca moraju biti pod nadzorom te treba voditi računa da se ne igraju s uređajem. Čišćenje i

održavanje su pod nadzorom

- Čuvajte sav ambalažni materijal udaljen od djece uređaja ne smiju vršiti djeca osim ako imaju 8 ili više godina i ako

Postoji rizik od udarca

- Ukoliko odlažete uređaj, i vucite utikač i utičnice, odsecite naponski kabel (što je moguće bliže uređaju) i uklonite vrata kako biste spriječili da se deca i raju s uređajem, strujni udar ili da se djeca otvore unutar uređaja

- Ukoliko vaš stari uređaj ima mehaničku brtvu, razbijte je ili uklonite je prije odlaganja staro uređaja. To će spriječiti da postane smrtonosna zamka za dijete.

### Opća sigurnost

⚠ **UPOZORENJE!** Držite ventilacijske otvore, na kućištu ili na ugradbenoj strukturi uređaja, bez prepreka.

⚠ **UPOZORENJE!** Ne koristiti mehaničke uređaje ili druga sredstva za ubrzavanje postupka odmrzavanja, osim onih koje je preporučio proizvođač

⚠ **UPOZORENJE!** Nemojte oštetiti rashladni krug

⚠ **UPOZORENJE!** Ne koristiti druge električne uređaje (kao na primjer aparate za pravljenje sladoleda) unutar odjeljaka ovog uređaja, osim ako nisu onog tipa koje je preporučio proizvođač.

⚠ **UPOZORENJE!** Ne dodirivati žarulju ukoliko je uključena jer može biti jako topla <sup>1)</sup>

⚠ **UPOZORENJE!** Kada postavljate uređaj, uvjerite se da naponski kabel nije uvijen ili oštećen

⚠ **UPOZORENJE!** Nemojte postavljati više prenosnih utičnica na stražnjoj strani uređaja

- Ne držite eksplozivne tvari, kao što su posude sa aerosolom sa zapaljivim plinovima, u ovom uređaju

- I obutan (R600a), koje sadrži rashladni krug ovog uređaja, je prirodni plin bez štetnog uticaja na okoliš, ali je zapaljiv

- Prilikom transporta i instaliranja uređaja, uvjerite se da ne dođe do oštećenja niti jednog dijela rashladnog kruga.

- Izbjegavajte otvorene plamenove i izvore paljenja

- Pažljivo pročitate prostoriju u kojoj je uređaj smješten

- Opasno je mijenjati specifikacije ili ovaj uređaj na bilo koji način. Svako oštećenje naponskog kabela može uzrokovati kratak spoj, vatru i/ili električni šok

- Ovaj uređaj namijenjen je za uporabu u kućanstvu i slične namjene kao što su

- kuhinje u trgovinama, uredima i drugim radnim prostorima;

1) Ukoliko ima osvjetljenja u odjeljku uređaja

## ⚠ Sigurnosna upozorenja



- farme i sobe dostupne gostima u hotelima, motelima i drugim smještajnim prostorijama;
- smještajima tipa noćenje s doručkom;
- osjeteljstvu i sličnim namjenama koje ne spadaju u maloprodaju.

⚠ **UPOZORENJE!** Svaki električni dio (utikač, naponski kabel, kompresor i td.) mora zamijeniti kvalificirani tehničar ili druga ovlaštena osoba

⚠ **UPOZORENJE!** Žarulja koja se koristi u uređaju je “žarulja s posebnom namjenom” koja se može koristiti samo kao pomoćni dio uređaja. Ova “žarulja s posebnom uporabom” ne može se koristiti za sobno osvjetljenje u kućanstvu <sup>1)</sup>

- Nemojte koristiti produžne kabele
- Uvjerite se da utikač nije pri nječen ili oštećen na stražnjoj strani uređaja. Pri nječeni ili oštećeni utikač može dovesti do prerijavanja i izazvati požar
- Uvjerite se da možete doći do strujno utikača uređaja
- Nemojte vući naponski kabel
- Ukoliko je utikač slabopovean, ne ubacujte utičnicu. Postoji rizik od strujnog udara ili požara
- Ne smijete rukovati uređajem bez lampe
- Ovaj uređaj je težak. Voditi računa prilikom pomicanja.

1) Ukoliko ima osvjetljenja u odjeljku uređaja

- Ne uklanjajte i ne dodirujte stvari i amr ivača ukoliko su vam ruke vlažne/mokre, jer može do i do o reb otina na koži ili ozeblina.
- I bje av ajte du o i la anj e uređaja dnevnoj svjetlosti.

### **Svakodnevna uporaba**

- Ne stavljajte ništa vru e na plastične dijelove u uređaju
- Ne stavljajte prehrambene proizvode direktno uz stražnju stijenku

### **Jednom odmrznuta hrana ne smije se ponovno zamrzavati.<sup>1)</sup>**

- Otpremite hranu za pakiranje prema uputama proi vođača a otpremanje hrane a zamrzavanje.<sup>1)</sup>
- Preporuke proi vođača a čuvanje hrane u uređaju moraju se stro o poštovati Po l edajte relevantne upute.
- Nemojte stavljati a irana pi a u odjeljak za zamrzavanje, jer dolazi do stvaranja pritiska unutar ambalaže, što može dovesti do eksplo ije i ošte enja na uređaju <sup>1)</sup>
- Kocke leda mogu dovesti do ozeblina ukoliko se koriste odmah nakon vađenja i uređaja <sup>1)</sup>
- Da biste izbjegli kontaminaciju hrane, obratite pažnju na sljede e instrukcije

<sup>1)</sup> Ukoliko ima osvjetljenja u odjeljku uređaja

- Otvaranje vrata na duži period može u rokovati načajan porast temperature u pre radama uređaja
- Redovito čistite površine koje mogu stupiti u kontakt s hranom i dostupnim sustavima odvoda.
- Očistite spremnik za vodu ako ne se koristi 48 sata; isperite sustav za vodu povezan sa vodosnab-dijevanjem ako voda nije oticala 5 dana.
- U hladnjaku čuvajte sirovo meso i ribu u odgovarajućim posudama, da ne dođe u kontakt s drugom hranom ili da ne kaplje na drugu hranu.
- Odjelci sa dvije zvijezde (ukoliko ih ima u uređaju) po odni su za čuvanje prethodno smrznute hrane, čuvanje ili pravljenje sladoleda ili ledenih kocki
- Odjelci sa jednom , dvije ili tri zvijezde (ukoliko ih ima u uređaju) nisu po odni za smravanje svježe hrane
- Ukoliko je aparat za hlađenje ostavljen prazan na duži period, isključite ga, odmrznite, očistite, osušite i ostavite vrata otvorena da spriječite razvoj plijesni u uređaju

### **Održavanje i čišćenje**

- Prije održavanja, isključite uređaj i vadite utikač iz idne utičnice
- Nemojte čistiti uređaj metalnim predmetima



- Nemojte koristiti oštre predmete a uklanjanje mra a u uređaju Koristite plastičnu rebal icu <sup>1)</sup>
- Redovito pro račujte odvod amr nute vode u hladnjaku. Po potrebi, očistite odvod Ukoliko je odvod blokiran, voda e se sakupljati na dnu uređaja <sup>2)</sup>

## Postavljanje

**Važno!** Kod električno pove ivanja pažljivo pratite relevantne instrukcije u određenim odjeljcima.

- Raspakirajte uređaj i provjerite da na njemu nema ošte enja Nemojte pove ivati uređaj ukoliko je ošte en Prijavite mo u a ošte enja odmah tr ovi ni u kojoj ste kupili uređaj U tom slučaju sačuvajte ambalažni materijal
- Preporučuje se da sačekate najmanje 4 sata prije pove ivanja uređaja kako bi se ulje u kompresoru rasporedilo pravilno.
- Obe bjediti adekvatan protok raka oko uređaja, kako ne bi došlo do pre rijavanja Da biste obezbjedili dovoljno zraka, pratite relevantne upute za postavljanje.
- I bje av ati da štitnici uređaja dodiruju stijenke ili tople dijelove (kompresor, kondenzator) kako biste

1) Ukoliko postoji odjeljak a mr ivača

2)Ukoliko postoji odjeljak a čuvanje svježe hrane

spriječili mo u e orenj e uređaja

- Uređaj ne smije biti postavljen u bli ini radiatora ni štednjaka
- Uvjerite se da je utičnica dostupna nakon postavljanja uređaja

### **Servisiranje**

- Svaka električa intervencija koja ahtijeva servisiranje uređaja mora biti obavljena od strane
- kvalificirano el ektričara ili kompetentne osobe
- Ovaj proizvod mora biti servisiran od strane ovlašteno servisno centra, i mo u se koristiti samo originalni rezervni dijelovi.

### **Savjeti za uštedu energije**

- Nemojte stavljati toplu hranu u uređaj;
- Nemojte čuvati spakiranu hranu bli u jednu drugoj jer to sprečava cirkuliranje raka;
- Uvjerite se da hrana ne dodiruje stijenke odjeljaka;
- Ukoliko dođe do nestanka struje, nemojte otvarati vrata;
- Nemojte često otvarati vrata;
- Nemojte držati vrata du o o tvorena;
- Nemojte podešavati termostat na suviše niske temperature;
- Pojedine dijelove, kao što su ladice, treba držati bo ma nje potrošnje električne ener i je

## Zaštita okoliša

Ovaj uređaj ne sadrži plinove koji mogu oštetiti obojinski omotač, kao ni rashladni kružni i olacijski materijal. Uređaj ne treba odstraniti zajedno sa gradskim otpadom. Izolacijska pjena sadrži zapaljive plinove: ovaj uređaj treba odložiti u skladu sa zakonskom regulativom za otklanjanje uređaja dobijenom od lokalnih vlasti. Izbjegavajte oštećenja rashladno dijela, naročito toplotnog izolacijskog materijala. Materijali korišteni na ovom uređaju koji su

## Označeni

Simbolom mogu se reciklirati.

Simbol na proizvodu ili na ovoj ambalaži označava da se s tim proizvodom ne smije postupati kao sa



općim otpadom. Umjesto toga, proizvod treba odmah ukloniti od prodavača i predati u centar za reciklažu elektroničke i električne opreme. Ispravnim uklanjanjem ovog proizvoda, sprječavate potencijalne

negativne posljedice na okoliš i zdravlje ljudi, koji bi inače mogli biti uzrokovani neadekvatnim brinjanjem ovog proizvoda. Za detaljnije informacije o recikliranju ovog uređaja, molimo kontaktirati prodavača i lokalni ured, ured za brinjanje kućnog otpada ili trgovinu gdje ste kupili uređaj.

## Materijali za ambalažu

Materijali sa simbolom mogu se reciklirati. Odložite

materijal za pakiranje u adekvatne kontejnere za reciklažu

### Odlaganje uređaja

1. Odspojite glavni utikač i utičnice
2. Isecite naponski kabel i odložite ga

#### **UPOZORENJE!**



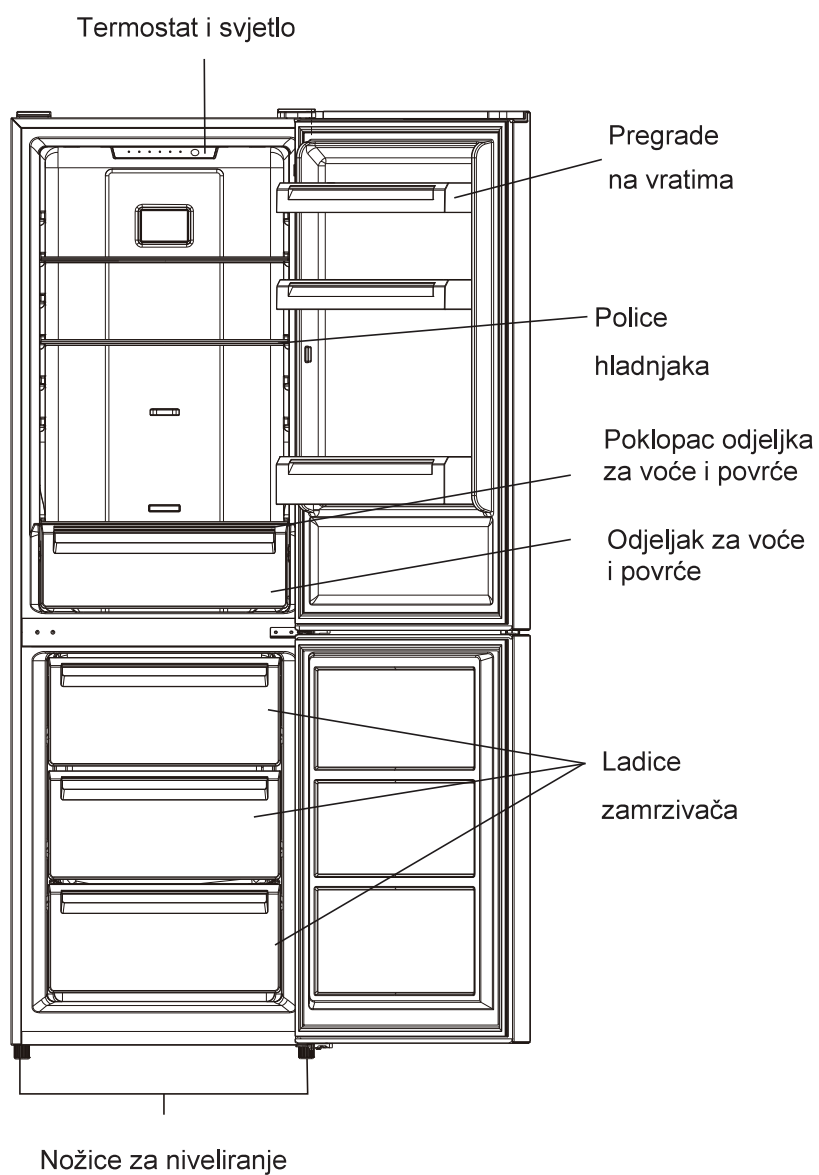
Tijekom uporabe, servisiranja i odlaganja uređaja, obratite pažnju na simbol sličan onome na lijevoj strani, koji se nalazi i na stražnjoj strani uređaja (stražnja ploča ili kompresor) žute ili narančaste boje

To je simbol koji označava rizik od požara. U rashladnim cijevima i kompresoru nalaze se zapaljivi materijali.

Molimo da uređaj udaljite od izvora vatre tijekom uporabe, servisiranja i odlaganja.

## Izgled uređaja

---



Bilješka: Slika iznad je samo za informaciju o dijelovima. Stvarni izgled uređaja može biti drugačiji.

# Instalacija

---

## Prostorni zahtjevi

- Izaberite mjesto gdje nema direktnog izlaganja sunčevoj svjetlosti;
- Izaberite mjesto sa dovoljno prostora kako bi se vrata hladnjaka lako otvarala;
- Izaberite mjesto sa niveliranim tlom;
- Obezbjedite dovoljno prostora za postavljanje uređaja na ravnu površinu;
- Obezbjedite cirkuliranje zraka sa svih strana prilikom postavljanja uređaja.

Ovo će omogućiti manju potrošnju električne energije i smanjit troškove.

- Obezbjedite minimum 50mm praznog prostora sa stražnje, lijeve i desne strane uređaja.

## Postavljanje

Postavite ovaj uređaj na mjestu na kojem temperatura prostora odgovara klimatskoj klasifikaciji uređaja navedenoj u sljedećoj tabeli:

- Povećano umjerena: „ovaj rashladni uređaj predviđen je za uporabu na sobnoj temperaturi opsega od 10 ° C do 32 ° C (SN);
- Umjerena: „ovaj rashladni uređaj predviđen je za uporabu na sobnoj temperaturi opsega od 16 ° C do 32 ° C (N);
- Subtropska: „ovaj rashladni uređaj predviđen je za uporabu na sobnoj temperaturi opsega od 16 ° C do 38 ° C (ST);
- Tropska: „Ovaj rashladni uređaj predviđen je za uporabu na sobnoj temperaturi od 16 ° C do 43 ° C (T);

## Mjesto postavljanja uređaja

Uređaj treba da bude postavljen udaljen od izora toplote kao što su radijatori, bojleri, direktna sunčeva svjetlost itd. Uvjerite se da zrak može slobodno da cirkulira oko stražnjeg dijela zamrzivača. Da biste bili sigurni da će uređaj funkcionirati sa najboljim performansama, ukoliko je uređaj postavljen ispod visećih dijelova na zidu, minimalna udaljenost između poklopca uređaja i elementa montiranog na zid mora biti najmanje 100mm. Ipak, najidealnije je da se uređaj ne postavlja ispod montiranih dijelova na zidu. Niveliranje uređaja moguće je pomoću jedne ili više nogara na postolju uređaja.



**POZOR!** Neophodno je omogućiti isključivanje uređaja iz glavnog utikača; stoga utičnica mora biti dostupna nakon instalacije.

## Električno povezivanje

Prije uključivanja uvjerite se da napon prikazan u tabeli odgovara naponu mreže vašeg kućanstva. Utičnica u koju uključujete uređaj mora imati uzemljenje. Kabel za napajanje električnom energijom opremljen je kontaktima u tu svrhu. Ukoliko utičnica nije uzemljena, u skladu sa osnovnim propisima, konsultujte kvalificiranog električara.

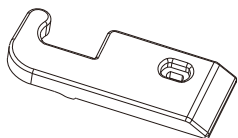
Proizvođač nije odgovoran ukoliko se ne preduzmu mjere opreza.  
Ovaj uređaj je u skladu sa direktivama EEC.

# Instalacija

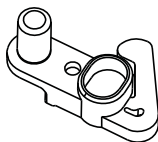
## Promena smer otvaranja vrata

Pre nego što promenite smer otvaranja vrata, pripremite alat i materijal koji je naveden ispod: ravni odvijač, krstasti odvijač, ključ i delovi koji su uključeni u kesicu za dodatnim priborom:

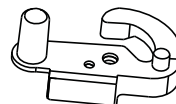
Poklopac šarke za  
lijevu stranu vrata x 1



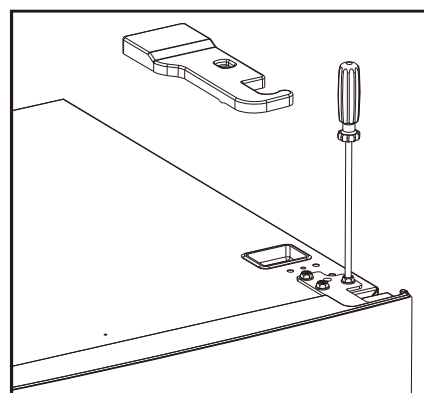
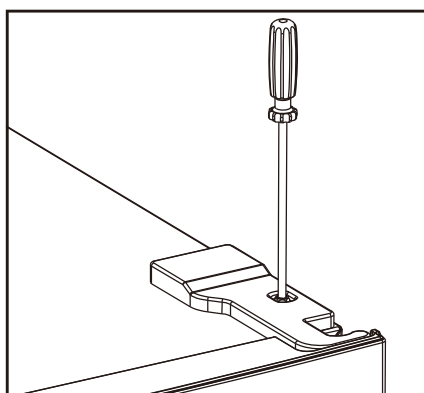
Lijevi pomoćni dio na gornjim  
vratima x 1



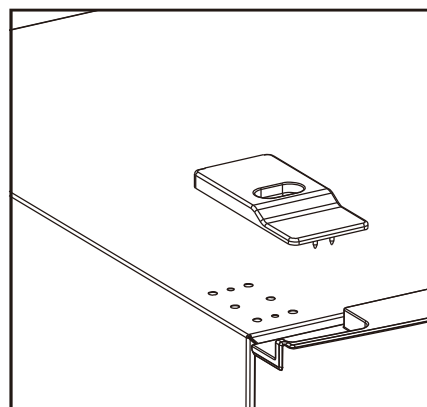
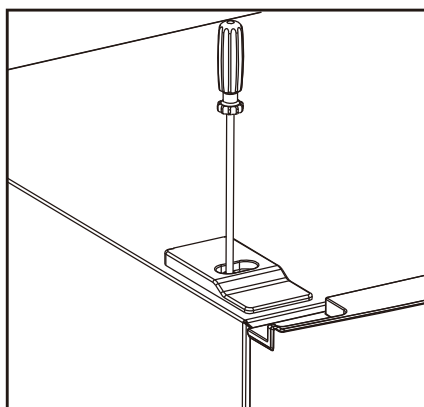
kk  
Lijevi pomoćni dio na donjim vratima x 1



1. Odvijte gornji poklopac šarke, a zatim odvrnite gornju šarku.  
Zatim podignite gornja vrata i postavite ih na mekanu podlogu kako biste izbjegli ogrebotine i oštećenja.

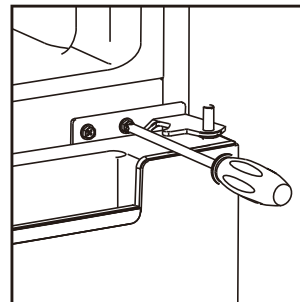


2. Uklonite gornji lijevi poklopac zavrtnja.

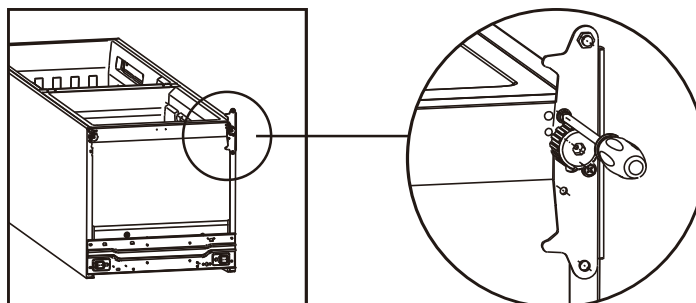


# Instalacija

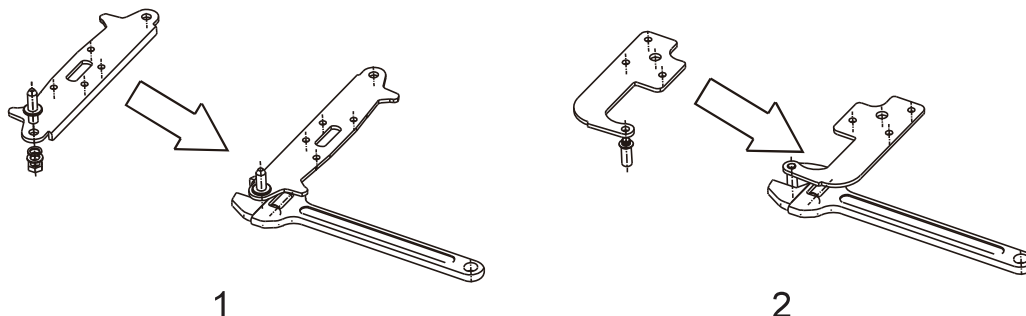
3. Skinite gornja vrata, izvucite vijak iz srednje šarke križastim odvijačem, a zatim skinite donja vrata.



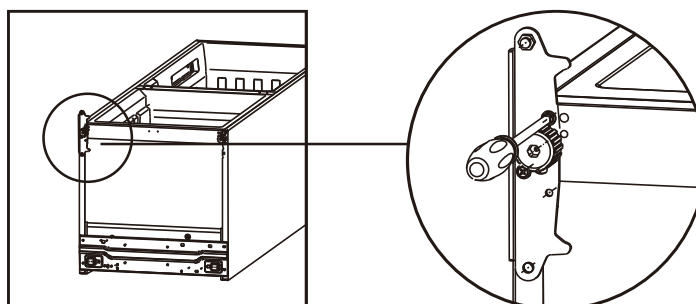
4. Položite hladnjak, izvadite nogare za niveliranje kao što je prikazano ispod, zatim skinite donju šarku križastim odvijačem.



5. Prilagodite položaj jezgra donje i gornje šarke na suprotnoj poziciji.



6. Postavite donju šarku na donjem dijelu hladnjaka kao što je prikazano ispod, pričvršćujući nogare za niveliranje, i pazite da je u horizontalnom položaju.

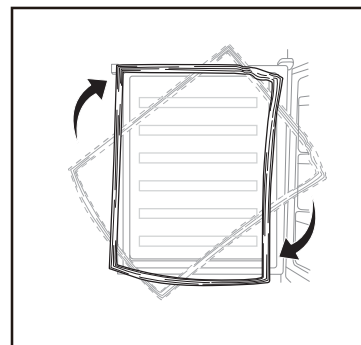




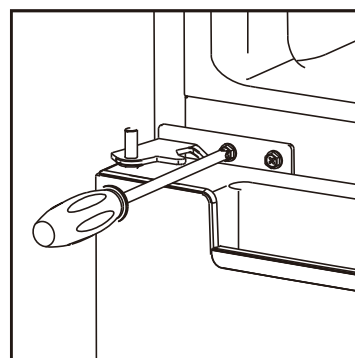
# Instalacija

---

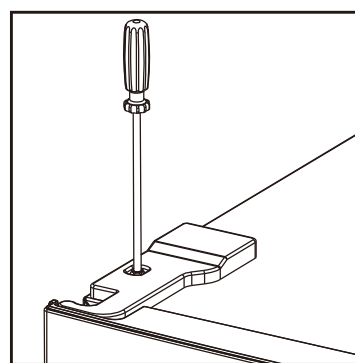
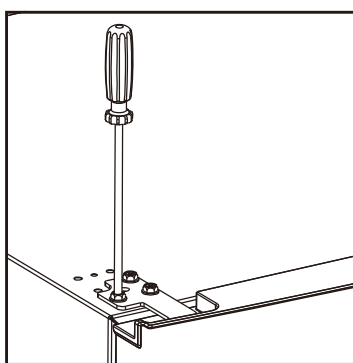
7. Odvojite brtve na vratima hladnjaka i zamrzivača, a zatim ih pričvrstite nakon promjene položaja.



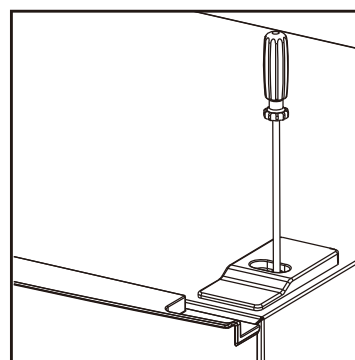
8. Postavite donja vrata, podesite i pričvrstite srednju šarku na uređaj.



9. Vratite gornja vrata. Uvjerite se da su vrata poravnana vodoravno i okomito tako da brtva bude zatvorena sa sviju strana prije konačnog zatezanja gornje šarke. Zatim postavite gornju šarku i zavijte je na vrh uređaja, a zatim zavrtnjem pričvrstite poklopac šarke (vrećica sa dodacima).

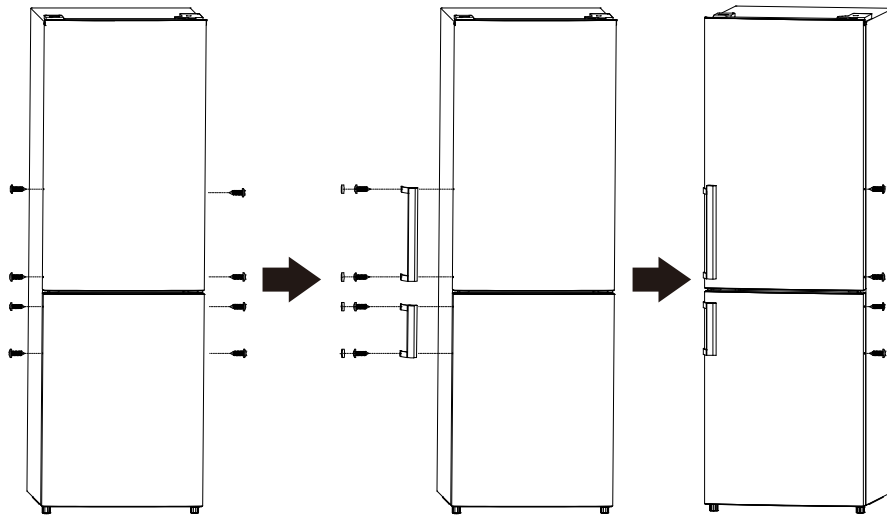


10. Pričvrstite poklopac zavrtnja.



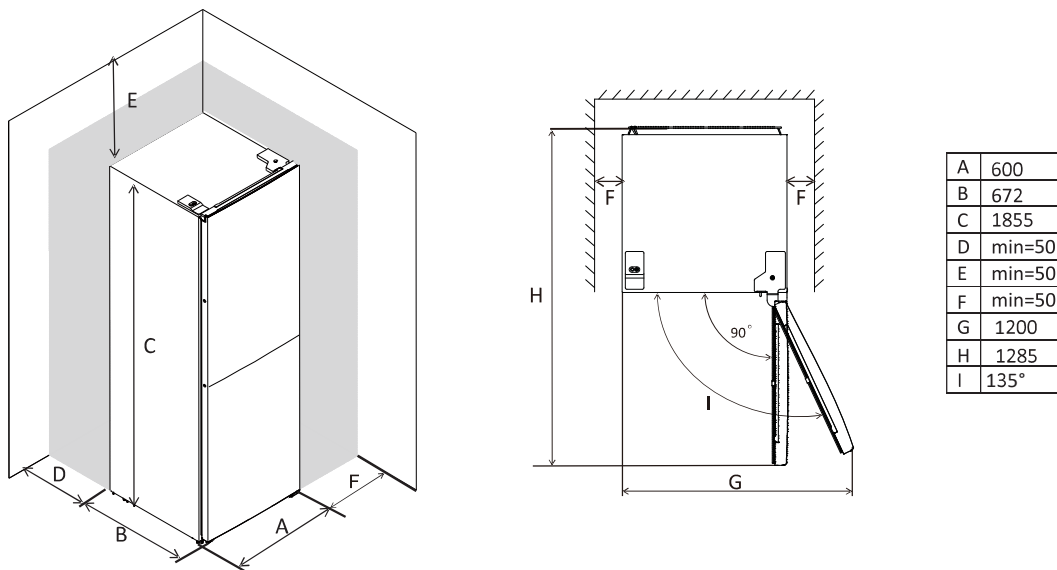
# Instalacija

## Postavljanje ručke za vrata (ukoliko je ručka prisutna kod modela)



## Prostorni zahtjevi

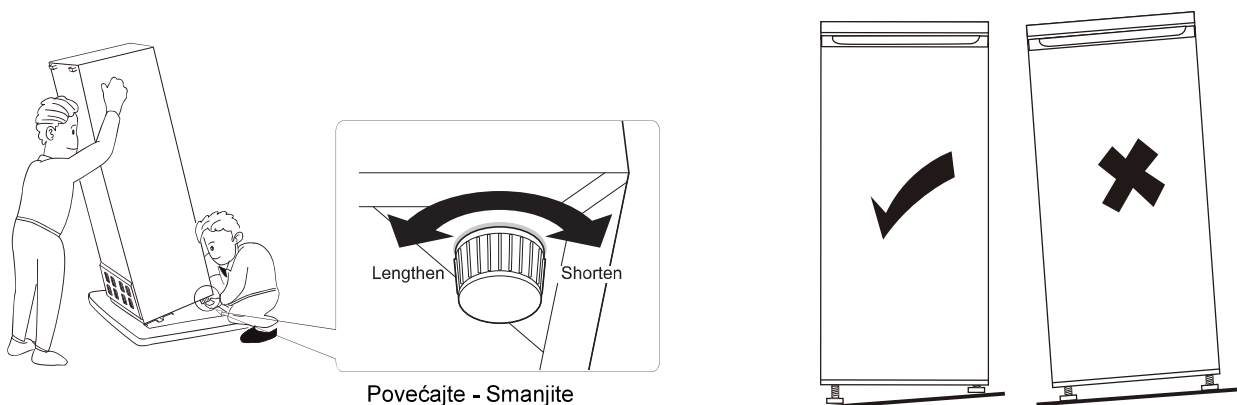
- Napravite dovoljno prostora za otvaranje vrata.
- Ostavite najmanje 50mm prostora sa obje strane uređaja.



## Niveliranje uređaja

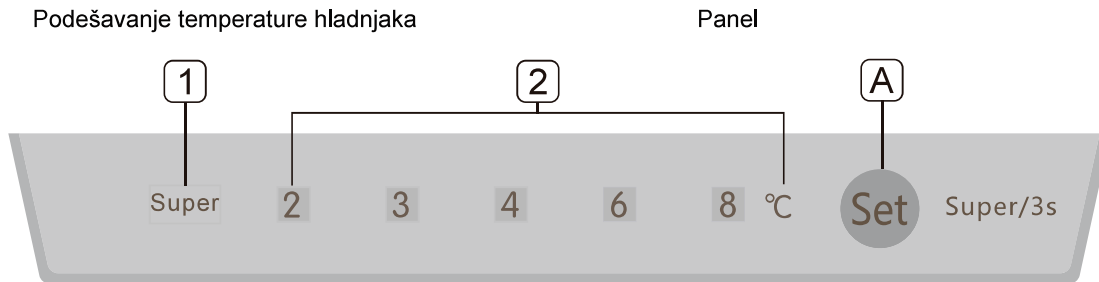
Da biste to učinili podesite dvije nogare za niveliranje na prednjoj strani uređaja.

Ako uređaj nije u ravni, poravnavanje vrata i magnetne brtve neće biti pravilno urađen



# Korisničko sučelje

## 1. Podešavanje temperature hladnjaka



### 1.1 Tasteri za podešavanje

**Set** Taster za podešavanje

Kratkim pritiskom na ovaj taster birate temperaturu rada.

Držite pritisnutim ovaj taster 3 sekunde da izaberete "Super" režim rada.

### 1.2 Indikatori

1) Indikator Super režima rada: svetli kada je izabran Super režim rada.

2) Indikatori za postavljanje temperature odeljka frižidera. Indikator koji svetli znači da je dostignuta izabrana temperatura.

### 1.3 Super režim rada

Aktiviranje super režima:

Pritiskanjem **Set** tastere 3 sekunde, aktivira se režim rada super, **Super** indikator svetli.

Kada je aktiviran super režim, temperatura frižidera ostaje na prethodnim podešavanjima i ne može se promeniti pritiskom na **Set** taster.

Izlazak iz Super režima

- Pritisnite taster Set ( A ) više od 3 sekunde
- Ili će se uređaj automatski vratiti na originalna podešavanja kada je režim Super rada bio aktivan više od 50 sati.

## 2. Podešavanje temperature odeljka zamrzivača

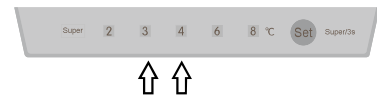





Klizač za podešavanje temperature zamrzivača:



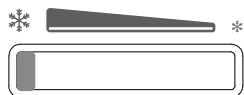
- Ovaj klizač u frižideru koristi se za podešavanje temperature zamrzivača.
- Klizač je postavljen ka simbolu ❄️, temperatura u zamrzivaču će biti viša. Suprotno tome, temperatura zamrzivača će biti viša kada se klizač postavi ka simbolu ❄️.
- Srednja pozicija klizača se preporučuje za normalnu upotrebu.

# Korisničko sučelje

## 3. Preporuke za postavljanje temperature

Preporuke za postavljanje temperature		
Temperatura okoliša	Odjeljak hladnjaka	Odjeljak zamrzivača
Toplo >27°C	 ↑ ↑	
Normalno 17°C~27°C	 ↑ ↑	
Hladno <17°C	 ↑	

**UPOZORENJE!** Nikada nemojte da postavljate klizač na lijevoj strani kao što je prikazano na slici.



## Svakodnevna uporaba

### Prva uporaba

#### Čišćenje unutrašnjosti

Prije prve uporabe uređaja, očistite unutrašnjost i svu unutarnju opremu mlakom vodom i neutralnim sapunom, kako biste otklonili blago neprijatan miris karakterističan kod novog uređaja, zatim temeljito osušite.

**Važna napomena!** Nemojte koristiti abrazivna sredstva za čišćenje ili deterdžente, jer će to oštetiti finu obradu uređaja.

### Svakodnevna uporaba

Rasporedite hranu po odjeljcima, kao što je navedeno u tabeli ispod

Odjeljak hladnjaka	Vrsta namirnica
Vrata ili pregrade na vratima hladnjaka	<ul style="list-style-type: none"><li>• Hrana sa prirodnim konzervansima, kao što su džemovi, sokovi, pića, začini.</li><li>• Nemojte pohranjivati kvarljivu hranu.</li></ul>
Odjeljak za voće i povrće	<ul style="list-style-type: none"><li>• Voće, bilje i povrće treba čuvati u zasebnim pakovanjima.</li><li>• Banane, luk, krumpir, češnjak ne čuvati u hladnjaku.</li></ul>
Srednja polica hladnjaka	<ul style="list-style-type: none"><li>• Mliječni proizvodi, jaja</li></ul>
Gornja polica hladnjaka	<ul style="list-style-type: none"><li>• Hrana koja ne zahtijeva pripremu, kao što su gotova jela, predjela, ostaci od jela.</li></ul>
Police zamrzivača	<ul style="list-style-type: none"><li>• Hrana za dugotrajno čuvanje.</li><li>• Surovo meso, živina, riba u donjoj polici/ladici.</li><li>• Smrznuto povrće, pomfrit u srednjoj polici/ladici.</li><li>• Sladoled, smrznuto voće, smrznuta peciva u gornjoj polici/ u ladici.</li></ul>

#### Zamrzavanje svježe hrane

- Zamrzivač je pogodan za zamrzavanje svježih namirnica i dugoročno čuvanje zamrznutih i duboko zamrznutih namirnica.
- Stavite svježe namirnice koje želite zamrznuti u zamrzivač.
- Maksimalna količina hrane koju je moguće zamrznuti tijekom 24 sata navedena je na napisnoj tablici uređaja.
- Proces zamrzavanja traje 24 sata. Tijekom ovog razdoblja nemojte dodavati drugu hranu da se zamrzne.
- Da biste dobili bolje rezultate zamrzavanja, dan prije dodavanja namirnica pokrenite super način rada na 26 sati.

#### Čuvanje zamrznutih namirnica

Kada prvi put uključujete uređaj i nakon razdoblja nekorištenja uređaja, prije stavljanja hrane u zamrzivač pustite da uređaj radi najmanje dva sata na maksimalnoj temperaturi.

**Važno!** U slučaju neplaniranog odmrzavanja, na primjer ukoliko duže nije bilo struje od vrijednosti prikazanih u tehničkim karakteristikama pod stavkom "vrijeme odmrzavanja", odmrznuta hrana mora biti konzumirana u kratkom vremenskom roku ili odmah skuhana i tek nakon kuhanja ponovno zamrznuta.

#### Otapanje

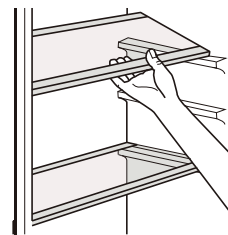
Duboko zamrznuta ili zamrznuta hrana prije uporabe treba se otopiti u hladnjaku ili na sobnoj temperaturi, ovisno o raspoloživom vremenu za ovaj proces. Mali dijelovi mogu se kuhati iako su još zamrznuti, direktno iz zamrzivača. U tom slučaju, kuhanje će trajati duže.

# Svakodnevna uporaba

## Oprema

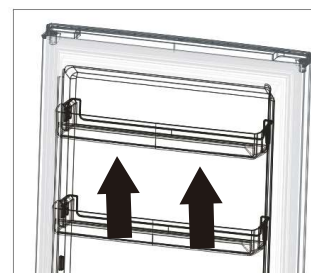
### Police koje se mogu premiještati

Na bočnim stranama uređaja nalaze se vodilice, tako da police lako možete postaviti na željenu visinu.



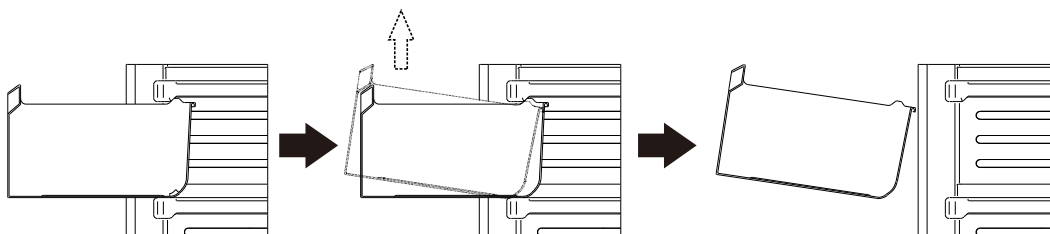
### Postavljanje pregrada na vratima uređaja

Police na vratima se mogu skinuti radi lakšeg čišćenja. To možete uraditi na sljedeći način: Pažljivo izvucite pregrade u smjeru strelica na slici, dok se ne oslobode, zatim ih posle čišćenja, vratite na željeno mjesto.



### Odvajanje donje ladice

1. Izvucite donju ladicu do položaja stopera.
2. Podignite prednju stranu ladice.
3. Izvucite donju ladicu.



## Korisni savjeti

### Savjeti za zamrzavanje

Evo nekoliko važnih savjeta kako bismo vam pomogli da maksimalno iskoristite postupak zamrzavanja:

- Maksimalna količina hrane koja može biti zamrznuta u roku od 24 sata izložena je u tabeli.;
- Proces zamrzavanja traje 24 sata: tijekom ovog razdoblja nemojte dodavati drugu hranu da se zamrzne
- Zamrzavati samo vrhunski kvalitetnu, svježiju i temeljito očišćenu hranu;
- Otpremajte hranu u malim porcijama kako bi omogućili brzo i potpuno zamrzavanje, i tako omogućite naknadno odmrzavanje samo potrebne količine;
- Uvijte hranu u aluminijsku ili polietilensku foliju i uvjerite se da su pakiranja hermetički zatvorena;
- Ne dozvolite da svježa nezamrznuta hrana dolazi u dodir sa već zamrznutom hranom, kako bi izbjegli porast temperature ranije zamrznute hrane;
- Nemasna hrana bolje i duže se čuva od masne hrane; sol smanjuje dužinu čuvanja hrane;
- Komadi leda ukoliko se konzumiraju odmah nakon vađenja iz zamrzivača, mogu izazvati oštećenja na koži;
- Preporučljivo je da se na svakom pojedinačnom pakiranju označi datum zamrzavanja i omogući vam da pratite vrijeme čuvanja.

# Svakodnevna uporaba

---

## Savjeti za otpremanje zamrznute hrane

Da biste postigli najbolje performanse ovog uređaja, trebalo bi se:

- uvjeriti da je komercijalna zamrznuta hrana adekvatno spakirana od strane prodavca;
- osigurati da je zamrznuta hrana premještena iz prodavnice do zamrzivača u što kraćem vremenskom roku;
- postarati da ne otvarate često vrata ili ih ostavljate otvorena duže nego što je neophodno.
- jednom odmrznuta, hrana se kvari i ne može se ponovo zamrzavati.
- ne dozvolite da istekne vrijeme dozvoljeno za držanje hrane u zamrzivaču od strane proizvođača hrane.

## Savjeti za otpremanje svježe hrane u hladnjaku

Da biste postigli najbolje performanse:

- Nemojte odlagati toplu hranu ili tekućine koje isparavaju u hladnjak
- Poklopite ili umotajte hranu ukoliko imaju jaki miris

## Savjeti za čuvanje svježe hrane u hladnjaku

Korisni savjeti

- Meso (sve vrste) umotajte u kese za zamrzavanje hrane i odložite na staklene police iznad odjeljka za čuvanje povrća i voća.
- Radi sigurnosti, na ovaj način odložite hranu najduže dan-dva.
- Kuhana hrana, hladna jela, i td...trebaju se poklopiti i mogu se držati na bilo kojoj polici.
- Voće i povrće: pažljivo očistiti i odložiti u za to namijenjenu ladicu.
- Maslac i sir: čuvati u za to namijenjenu kutiju ili umotati u alumijску foliju ili kesu za zamrzavanje kako bi se što više sačuvali.
- Boce s mlijekom: moraju imati čep i treba ih držati u pregradama na vratima hladnjaka.
- Banane, krumpir, luk i češnjak, ukoliko nisu upakirani, ne smiju se držati u hladnjaku.

## Čišćenje

Iz higijenskih razloga unutrašnjost uređaja, uključujući unutrašnje sastavne dijelove moraju se redovito čistiti.



**Oprez!** Uređaj ne smije biti uključen u struju prilikom čišćenja. Postoji opasnost od elektrošoka! Prije čišćenja isključite uređaj i izvadite utikač iz utičnice. Nikada nemojte čistiti uređaj paročistačem. Vlaga se može zadržati na električnim dijelovima, opasnost od elektrošoka! Vrela para može dovesti do oštećenja plastičnih dijelova. Uređaj mora biti suh prije nego što se ponovno pusti u rad.

**Važno!** Eterična ulja i organska otapala mogu reagirati sa plastičnim dijelovima, na primjer limunov sok ili sok od naranče, maslačna kiselina, sredstva za čišćenje koja sadrže octenu kiselinu.

- Nemojte dozvoliti da takve tvari dodju u kontakt sa dijelovima uređaja.
- Nemojte koristiti nikakva abrazivna sredstva.
- Odstranite hranu iz zamrzivača. Čuvajte je na hladnom mjestu, dobro pokrivenu.
- Isključite uređaj i uklonite utikač iz utičnice.
- Očistite uređaj i unutrašnje dijelove krpom i mlakom vodom. Nakon čišćenja obrišite čistom vodom i dobro osušite.
- Nakon što je sve osušeno ponovno uključite uređaj.

# Svakodnevna uporaba

## Zamjena žaruljice

Žaruljica unutrašnjeg osvjetljenja je tipa LED. Za zamjenu žaruljice molimo obratite se kvalificiranom tehničkom osoblju.

## Rješavanje problema



**Oprez!** Prije rješavanja problema, isključite kabel za napajanje. Samo kvalificirani električar može otkloniti kvar koji nije naveden u ovim uputama.

**Važno!** Tijekom normalne uporabe prisutni su određeni zvuci (kompresor, cirkuliranje rashladnog sredstva).

Problem	Mogući uzrok	Rješenje
Uređaj ne radi.	Regulator temperature je podešen na najhladnije.	Podesite regulator na drugo podešavanje i uključite uređaj.
	Utikač nije u utičnici ili nije dobro postavljen.	Priključite dobro utikač.
	Osigurač je pregorio ili je u kvaru.	Provjerite da li je osigurač pravilno postavljen.
	Utičnica je neispravna.	Utičnicu mora zamijeniti električar.
Uređaj previše hladi.	Postavili ste prenisu temperaturu.	Privremeno postavite termostat na toplije postavke.
Hrana nije dovoljno zamrznuta.	Temperatura u uređaju nije dobro postavljena.	Pridržavajte se uputa u poglavlju Prva uporaba.
	Vrata su otvorena duže vrijeme.	Držite vrata otvorena samo koliko je neophodno.
	Velika količina tople hrane stavljena je u uređaj tijekom prethodna 24 sata.	Privremeno postavite termostat na hladnije postavke.
	Uređaj je u blizini izvora topline.	Pridržavajte se uputa u poglavlju Instalacija.
Stalno gomilanje mraza na vratima.	Brtva nije čvrsto postavljena.	Pažljivo zagrijte dijelove brtve gdje ima curenja na vratima sušilom (na hladnom mjestu). Istodobno, ručno oblikujte grijanu brtvu vrata tako da je pravilno postavljena.
Netipična buka.	Uređaj ne stoji ravno.	Prilagodite visinu nogara.
	Uređaj dodiruje zid ili druge predmete.	Pomjerite lagano uređaj.
	Sastavni dio, na pr. cijev, sa stražnje strane uređaja dodiruje zid ili drugi dio uređaja.	Ukoliko je potrebno, pažljivo sklonite taj dio.
Na podu je voda.	Otvor za cijeđenje vode je zapušten.	Vidite poglavje Održavanje i čišćenje.
Dijelovi sa strane su vrelj.	To je normalno. Kondenzacija na stranama uređaja.	Ukoliko je potrebno, uzmite rukavice.

Ako se kvar ponovno dogodi, obratite se servisnom centru.

Ovi su podaci neophodni kako bi vam pomogli brzo i ispravno. Ovdje napišite potrebne podatke, usporedite s najčešćim problemima u tabeli.



1.

## TEHNIČKI PODACI

Tehničke informacije nalaze se na natpisnoj pločici s unutarnje strane uređaja i na energetske naljepnici.

QR kod na energetske naljepnici isporučenoj s uređajem daje vam web link o informacijama u vezi sa performansama uređaja u EU EPREL bazi podataka. Energetske naljepnicu čuvajte radi buduće reference zajedno sa uputama za uporabu i svim ostalim dokumentima isporučenim s ovim uređajem.

Također je moguće pronaći iste podatke u EPREL-u putem linka <https://eprel.ec.europa.eu> i naziva modela i broja proizvoda koji se nalazi na natpisnoj pločici uređaja.

Za detaljne informacije o energetske naljepnici pogledajte link [www.theenergylabel.eu](http://www.theenergylabel.eu)

2.

## INFORMACIJE O TESTU PERFORMANSI (TEST INSTITUTE)

Za svaku EcoDesign verifikaciju, uređaj mora biti u skladu sa EN 62552. Zahtjevi za ventilacijom, dimenzije udubljenja i minimalni zračni prostor moraju biti onkvi kako su navedeni u ovom korisničkom priručniku u Poglavlju 2.

Za sve daljnje informacije, uključujući planove utovara, obratite se proizvođaču.

3.

## SERVIS I BRIGA O KORISNIKU

Uvijek koristite originalne rezervne dijelove.

Kada kontaktirate naš ovlaštenu servisni centar, osigurajte da imate na raspolaganju sljedeće podatke: model, serijski broj i indeks usluga.

Informacije se mogu naći na natpisnoj pločici. Podložne su promjenama bez obavjesti.

Originalni rezervni dijelovi za neke određene komponente dostupni su najmanje 7 ili 10 godina, ovisno o vrsti komponente, od stavljanja na tržište posljednjeg modela uređaja.

Posjetite našu web stranicu:

[www.voxelectronics.com](http://www.voxelectronics.com)



SPA

# **Manual de uso**

**Frigorífico con congelador  
No-Frost**

**NF-3870F**

**EAC**

## Indice

1. Información de seguridad	1~9
2. Las partes del dispositivo	10
3. Instalación	11~15
4. Interfaz de usuario	16~17
5. Uso diario	18~21
6. DATOS TECNICOS	página 22
7. INFORMACIÓN PARA INSTITUTOS DE PRUEBAS	página 22
8. ATENCIÓN Y SERVICIO AL CLIENTE	página 22

En interés de su seguridad y para garantizar el uso correcto, antes de instalar y utilizar el aparato por primera vez, lea atentamente este manual de usuario, incluidos sus consejos y advertencias. Para evitar errores y accidentes innecesarios, es importante asegurarse de que todas las personas que utilicen el aparato estén completamente familiarizadas con su funcionamiento y características de seguridad. Guarde estas instrucciones y asegúrese de que permanezcan con el electrodoméstico si se traslada o vende, de modo que todos los que lo utilicen durante su vida estén debidamente informados sobre el uso y la seguridad del electrodoméstico.






Para la seguridad de la vida y la propiedad, siga las precauciones de estas instrucciones del usuario, ya que el fabricante no es responsable de los daños causados por omisiones.

### **Niños y personas vulnerables**



- Este aparato puede ser utilizado por niños a partir de 8 años y personas con capacidades físicas, sensoriales o mentales reducidas o con falta de experiencia y conocimiento, si han recibido supervisión o instrucción sobre el uso del aparato de forma segura y comprenden los peligros involucrados.
- Los niños de 3 a 8 años pueden cargar y descargar este aparato.
- Los niños deben ser supervisados para asegurarse de que no jueguen con el aparato.
- La limpieza y el mantenimiento por parte del usuario no deben ser realizados por niños a menos que sean mayores de 8 años y estén supervisados.
- Mantenga todos los envases fuera del alcance de los niños ya que existe riesgo de asfixia.


- Si va a desechar el aparato, desenchufe la clavija de la toma, corte el cable de conexión (lo más cerca posible del aparato) y retire la puerta para evitar que los niños que juegan sufran descargas eléctricas o se encierren en ella.
- Si este electrodoméstico con sellos de puerta magnéticos va a reemplazar un electrodoméstico antiguo que tiene un cierre de resorte (pestillo) en la puerta o tapa, asegúrese de inutilizar la falta de resorte antes de desechar el electrodoméstico viejo. Esto evitará que se convierta en una trampa mortal para un niño.


### Seguridad general

-  **¡ADVERTENCIA!** Mantenga las aberturas de ventilación, en el recinto del aparato o en la estructura incorporada, libres de obstrucciones.
-  **¡ADVERTENCIA!** No use dispositivos mecánicos u otros medios para acelerar el proceso de descongelación, distintos de los recomendados por el fabricante.
-  **¡ADVERTENCIA!** No dañe el circuito refrigerante.
-  **¡ADVERTENCIA!** No utilice otros aparatos eléctricos (como máquinas de hacer helados) dentro de aparatos de refrigeración, a menos que estén aprobados para este propósito por el fabricante.
-  **¡ADVERTENCIA!** No toque la bombilla si ha estado encendida durante un período prolongado porque podría estar muy caliente.<sup>1)</sup>

<sup>1)</sup> Si hay luz en el compartimento.

-  **¡ADVERTENCIA!** Al colocar el aparato, asegúrese de que el cable de alimentación no esté atrapado o dañado.
-  **¡ADVERTENCIA!** No coloque múltiples tomas de corriente portátiles o proveedores de energía con puertos en la parte posterior del aparato.
- No almacene sustancias explosivas como latas de aerosol con propulsor inflamable en este aparato.
- El refrigerante metilpropano (R-600a) está contenido dentro del circuito refrigerante del aparato, un gas natural con un alto nivel de compatibilidad medioambiental, que sin embargo es inflamable.
- Durante el transporte e instalación del aparato, asegúrese de que ninguno de los componentes del circuito refrigerante resulte dañado.
  - evitar llamas abiertas y fuentes de ignición
  - ventilar a fondo la habitación en la que se encuentra el aparato
- Esto es peligroso alterar las especificaciones o modificar este producto de cualquier forma. Cualquier daño al cable puede causar un cortocircuito, fuego y / o descarga eléctrica.
- Este aparato está diseñado para ser utilizado en aplicaciones domésticas y similares, como:
  - áreas de cocina para el personal en tiendas, oficinas y otros entornos de trabajo;
  - casas agrícolas y por clientes en hoteles, moteles y otros entornos de tipo residencial;
  - entornos de tipo alojamiento y desayuno;
  - catering y aplicaciones similares no jubilatorias

 **ADVERTENCIA!** Cualquier componente eléctrico (enchufe, cable de alimentación, compresor, etc.) debe ser reemplazado por un agente de servicio certificado o personal de servicio calificado.

 **¡ADVERTENCIA!** La bombilla suministrada con este aparato es una "bombilla de lámpara de uso especial" que se puede utilizar únicamente con el aparato suministrado. Esta "lámpara de uso especial" no se puede utilizar para iluminación doméstica.

- El cable de alimentación no debe alargarse.
- Asegúrese de que el enchufe no esté aplastado o dañado por la parte posterior del aparato. El enchufe de alimentación aplastado o dañado puede recalentarse y provocar un incendio.

- Asegúrese de que puede llegar al enchufe de la red del aparato.

No tire del cable de red.

- Si la toma de corriente está suelta, no inserte el enchufe. Existe riesgo de descarga eléctrica o incendio.
- No debe operar el aparato sin la lámpara.
- Este aparato es pesado. Se debe tener cuidado al moverlo.
- No retire ni toque artículos del compartimento del congelador si sus manos están húmedas / mojadas, ya que esto podría causar abrasiones en la piel o quemaduras por congelación / congelación.
- Evite la exposición prolongada del aparato a la luz solar directa.

## Uso diario

- No caliente las piezas de plástico del aparato.
- No coloque productos alimenticios directamente contra la pared trasera.

<sup>1)</sup> Si hay luz en el compartimento.

Los alimentos congelados no deben volver a congelarse una vez descongelados.<sup>1)</sup>

- Almacene los alimentos congelados preenvasados de acuerdo con las instrucciones del fabricante de alimentos congelados.<sup>1)</sup>
- Se deben seguir estrictamente las recomendaciones de almacenamiento de los fabricantes de electrodomésticos. Consulte las instrucciones pertinentes.
- No coloque bebidas carbonatadas o gaseosas en el compartimento del congelador, ya que crea presión en el recipiente, lo que puede hacer que explote y dañar el aparato.<sup>1)</sup>
- Los polos de hielo pueden provocar quemaduras por congelación si se consumen directamente del aparato.<sup>1)</sup>
- Para evitar la contaminación de los alimentos, respete las siguientes instrucciones
- Abrir la puerta durante períodos prolongados puede provocar un aumento significativo de la temperatura en los compartimentos del aparato.
- Limpiar con regularidad las superficies que puedan entrar en contacto con alimentos y sistemas de drenaje accesibles.
- Limpiar los tanques de agua si no se han utilizado durante 48 horas; Enjuague el sistema de agua conectado a un suministro de agua si no se ha extraído agua durante 5 días.
- Guarde la carne y el pescado crudos en recipientes adecuados en el frigorífico, para que no entren en contacto ni goteen sobre otros alimentos
- Los compartimentos para congelados de dos estrellas (si se presentan en el aparato) son aptos para almacenar alimentos pre-congelados, almacenar o hacer helados y hacer cubitos de hielo.

1) Si hay un compartimento congelador.

2) Si hay un compartimento para guardar alimentos frescos.



- Los compartimentos de una, dos y tres estrellas (si se presentan en el aparato) no son aptos para la congelación de alimentos frescos.
- Si el aparato se deja vacío durante períodos prolongados, apáguelo, descongele, limpie, seque y deje la puerta abierta para evitar que se forme montaje dentro del aparato.

## Cuidado y limpieza

- Antes del mantenimiento, apague el aparato y desconecte el enchufe de la red; enchufe.
- No limpie el aparato con objetos metálicos.
- No utilice objetos afilados para quitar la escarcha del aparato. Utilice un raspador de plástico. <sup>1)</sup>
- Examine regularmente el desagüe del refrigerador para ver si hay agua descongelada. Si es necesario, limpie el desagüe. <sup>2)</sup>
- Si el desagüe está bloqueado, el agua se acumulará en la parte inferior del aparato. <sup>2)</sup>

## Instalación

**¡Importante!** Para la conexión eléctrica con cuidado siga las instrucciones dadas en párrafos específicos.

- Desembale el aparato y compruebe si presenta daños. No conecte el aparato si está dañado. Informe de inmediato los posibles daños al lugar donde lo compró. En este caso, conserve el embalaje.

1) Si hay un compartimento congelador.

2) Si hay un compartimento para guardar alimentos frescos.

- Es aconsejable esperar al menos cuatro horas antes de conectar el aparato para permitir que el aceite regrese al compresor.
- Debe haber una circulación de aire adecuada alrededor del aparato, de lo contrario se producirá un sobrecalentamiento. Para lograr una ventilación suficiente, siga las instrucciones correspondientes a la instalación.
- Siempre que sea posible, los espaciadores del producto deben estar contra una pared para evitar tocar o atrapar (compresor, condensador) para evitar posibles quemaduras partes calientes.
- El aparato no debe colocarse cerca de radiadores o cocinas.
- Asegúrese de que el enchufe sea accesible después de la instalación del aparato.

### **Servicio**



- Cualquier trabajo eléctrico necesario para realizar el mantenimiento del aparato debe ser realizado por un electricista calificado o una persona competente.
- Este producto debe ser reparado por un centro de servicio autorizado, y solo deben usarse repuestos originales.

### **El ahorro de energía**

- No ponga comida caliente; en el aparato;
- No empaque los alimentos muy juntos, ya que esto evita que el aire circule;
- Asegúrese de que los alimentos no toquen la parte posterior de los compartimentos;

- ⚠** Si se apaga la electricidad, no abra la (s) puerta (s);
- No abra la (s) puerta (s) con frecuencia
  - No deje las puertas abiertas por mucho tiempo;
  - No ajuste el termostato a temperaturas demasiado bajas;
  - Todos los accesorios, como cajones, baldas de baldas, deben guardarse allí para un menor consumo energético.

## Proteccion ambiental

 **!!!** Este aparato no contiene gases que puedan dañar la capa de ozono, ni en su circuito refrigerante ni en los materiales aislantes. El aparato no debe desecharse junto con la basura y la basura urbanas. La espuma de aislamiento contiene gases inflamables: el aparato debe desecharse de acuerdo con las regulaciones del aparato que debe obtener de las autoridades locales. Evite dañar la unidad de refrigeración, especialmente el intercambiador de calor. Los materiales utilizados en este aparato están marcados con el símbolo  son reciclables.



El símbolo en el producto o en su empaque indica que este producto no puede ser tratado como basura doméstica. En su lugar, debe llevarse al punto de recolección apropiado para el reciclaje de equipos eléctricos y electrónicos. Si se asegura de que este producto se deseché correctamente, ayudará a prevenir posibles consecuencias negativas para el medio ambiente y la salud humana que otro modo

podría ser causado por un manejo inadecuado de residuos de este producto. Para obtener información más detallada sobre el reciclaje de este producto, póngase en contacto con su ayuntamiento, su basura doméstica servicio de eliminación o la tienda donde compró el producto.

### **Materiales de embalaje**

Los materiales con el símbolo son reciclables.

Deseche el embalaje en contenedores de recogida adecuados para reciclarlo.

### **Eliminación del aparato**

1. Desconecte el enchufe de red del toma de corriente.
2. Corte el cable de red y deséchelo



### ¡ADVERTENCIA!

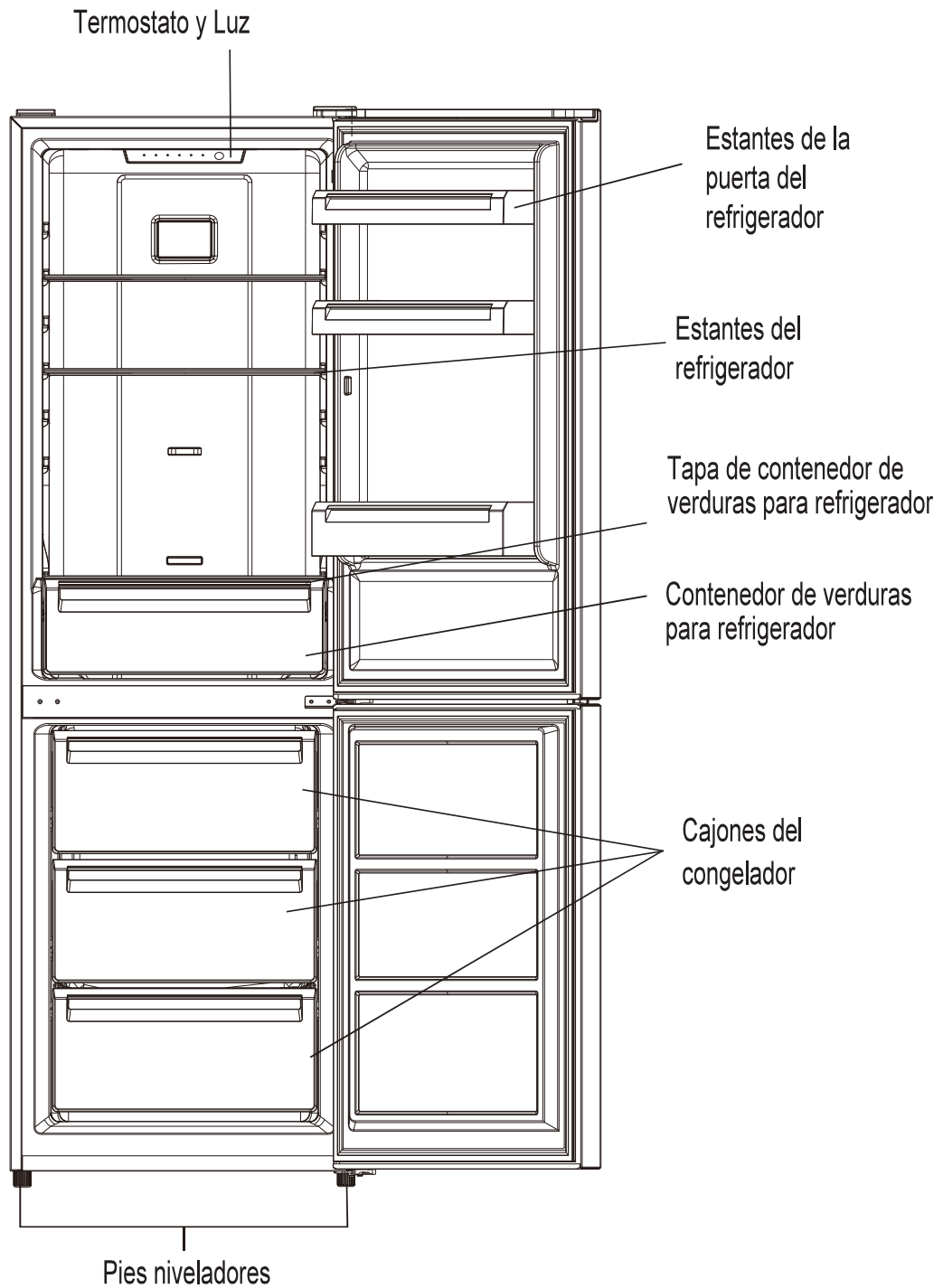
Durante el uso, mantenimiento y eliminación del aparato, preste atención al símbolo similar al del lado izquierdo, que se encuentra en la parte trasera del aparato (panel trasero o compresor) y de color amarillo o naranja.

Es el símbolo de advertencia de riesgo de incendio. Hay materiales inflamables en las tuberías de refrigerante y el compresor.

Manténgase alejado de la fuente de fuego durante el uso, el servicio y la eliminación.

## Las partes del dispositivo

---



Nota: Esta ilustración es solo para la referencia. Por favor verifique su aparato para ver todos los detalles.

# Instalación

## Requerimiento de espacio

Seleccione un lugar sin exposición directa a la luz solar;

Seleccione una ubicación con suficiente espacio para que las puertas del refrigerador se abran fácilmente;

Seleccione una ubicación con piso nivelado (o casi nivelado);

Deje suficiente espacio para instalar el frigorífico sobre una superficie plana;

Deje espacio libre a la derecha, izquierda, parte trasera y superior durante la instalación.

Esto ayudará a reducir consumo de energía y mantenga sus facturas de energía más bajas.

Mantenga un espacio mínimo de 50 mm en los dos lados y la parte posterior.

## Instalación

Instale este aparato en un lugar donde la temperatura ambiente corresponda a la clase climática indicada en la placa de características del aparato:

Para aparatos frigoríficos con clase climática:

—Temperatura extendida: “este aparato de refrigeración está diseñado para ser utilizado a temperaturas ambiente que oscilen entre 10 ° C y 32 ° C (SN);

—Temperatura: “este aparato de refrigeración está destinado a ser utilizado a temperaturas ambiente que oscilen entre 16 ° C y 32 ° C (N);

—Subtropical: “este aparato de refrigeración está destinado a ser utilizado a temperaturas ambiente que oscilen entre 16 ° C y 38 ° C (ST);

—Tropical: “este aparato de refrigeración está diseñado para ser utilizado a temperaturas ambiente que oscilen entre 16 ° C y 43 ° C (T);

## Colocación

El dispositivo debe ser colocado lejos de fuentes de calor, como radiadores, estufas, luz directa del sol, etc. Asegúrese de que el aire pueda circular libremente alrededor de la parte posterior del congelador. Para asegurarse de que el dispositivo pueda funcionar con el mejor rendimiento, si el aparato se instala debajo de las partes de la pared, la distancia mínima entre el dispositivo y el elemento de cubierta montada en la pared debe ser de al menos 50 mm. Sin embargo, la más ideal es que el dispositivo no se coloque debajo de las componentes montadas en la pared. Nivelación del dispositivo es posible con el uso de una o más patas en la unidad base.

Este aparato de refrigeración no está diseñado para ser utilizado como aparato empotrado.



**¡Advertencia!** Es necesario evitar que se desconecte el aparato de enchufe de la red; por lo tanto, toma de corriente debe ser accesible después de la instalación.

## Conexiones eléctricas

Antes de asegurarse de que la tensión se muestra en la tabla corresponda a la tensión de red de su hogar, la toma de alimentación que encienda el dispositivo debe tener una conexión a tierra. El cable para la fuente de alimentación está equipado con un contacto para este propósito. Si la salida no se basa en el cumplimiento de los requisitos esenciales, consulte a un electricista calificado.

El fabricante no se hace responsable si no se toman precauciones.

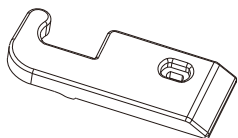
Este dispositivo está con las directivas de la CE.

# Instalación

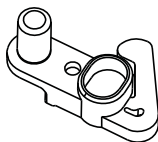
## Cambiar el sentido de la abertura de la puerta

Antes de invertir la puerta, esté preparado a continuación con las herramientas y el material: destornillador recto, destornillador de cruz, llave y los componentes incluidos en la bolsa de polietileno:

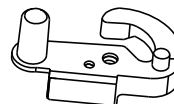
Cubierta de la bisagra de la puerta izquierda x1



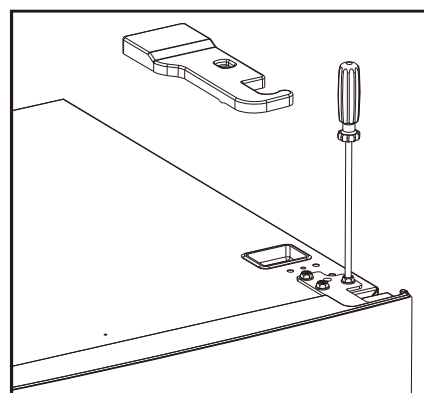
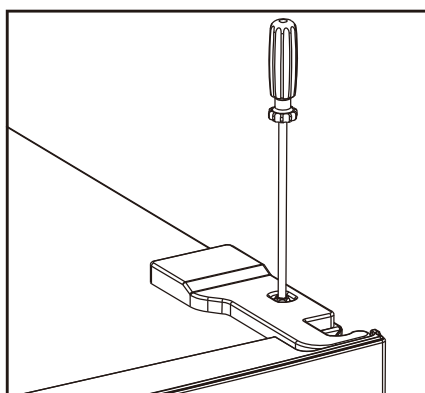
Ayuda izquierda más cerca en la puerta superior x1



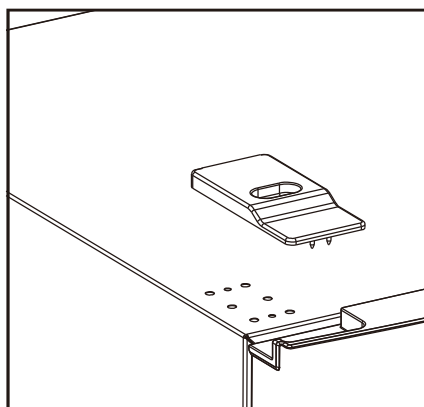
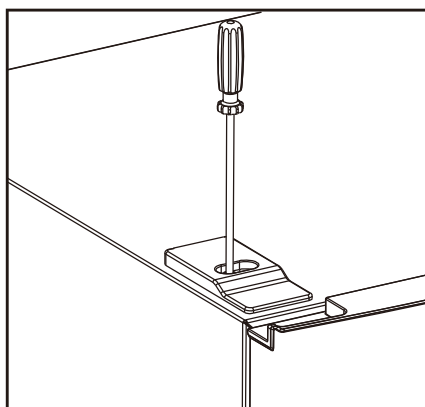
Ayuda izquierda más cerca en la puerta inferior x1



1. Desatornille la cubierta de la bisagra superior y luego desatornille la bisagra superior. Luego levante la puerta superior y colóquela sobre una almohadilla suave para evitar rayones y daños.

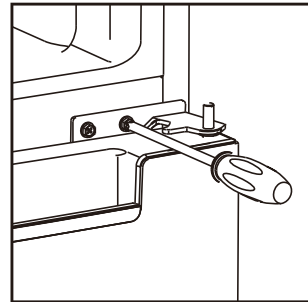


2. Retire la tapa del tornillo superior izquierdo.

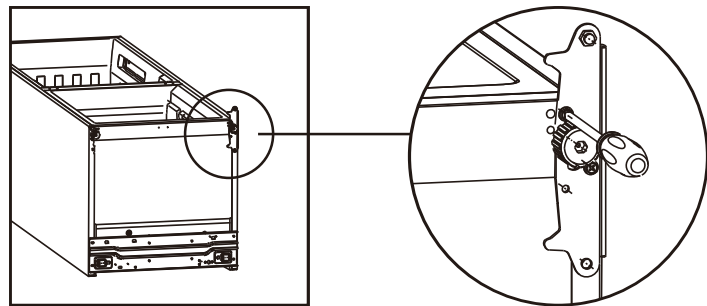


# Instalación

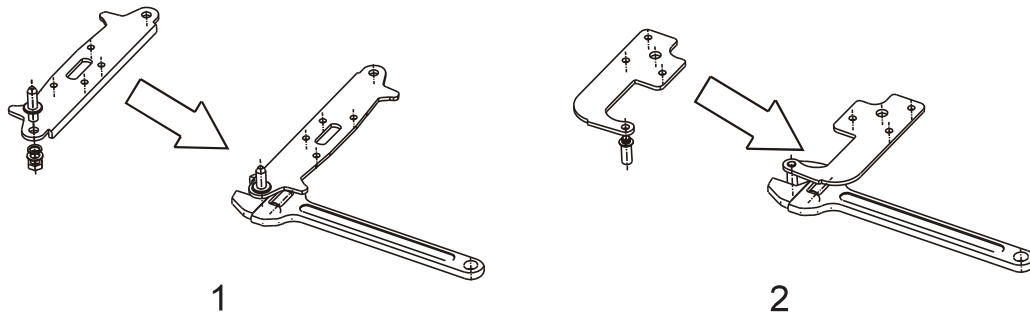
3. Quite la puerta superior, saque el tornillo de la bisagra del medio con un destornillador en cruz y luego retire la puerta inferior.



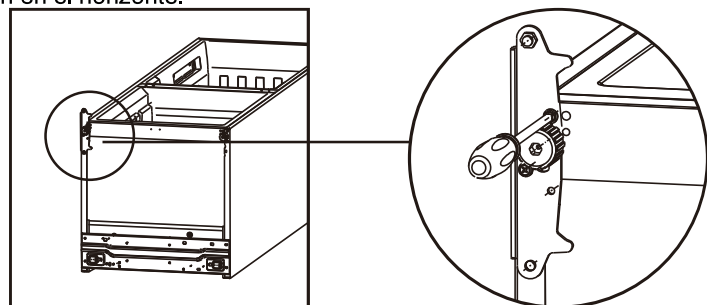
4. Al colocar el frigorífico, saque las patas de ajuste como se muestra a continuación, luego retire la bisagra inferior con un destornillador de cruz.



5. Ajuste de la posición del núcleo de la bisagra de la bisagra inferior y la bisagra superior a la posición opuesta



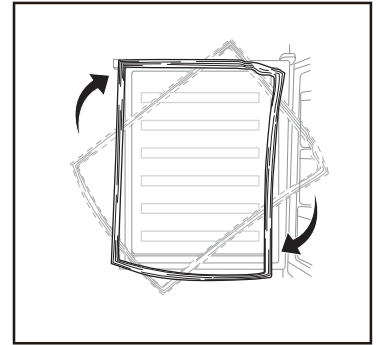
6. Instale la bisagra inferior debajo del refrigerador, como se muestra a continuación, atornillando las patas de ajuste, asegúrese de que la posición en el horizonte.



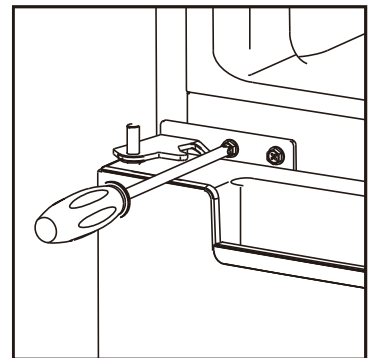


# Instalación

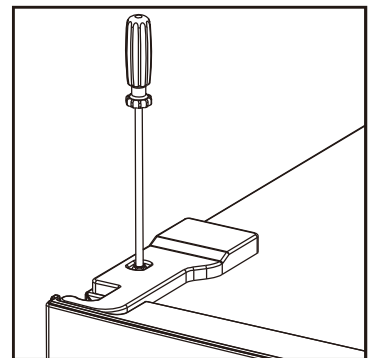
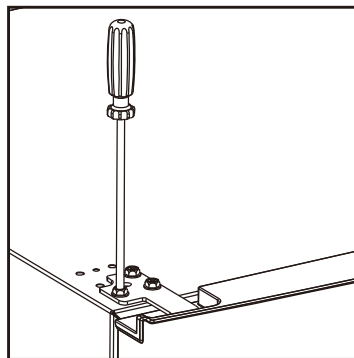
7. Separe el frigorífico y las juntas de la puerta del congelador y luego fijelas después de girar.



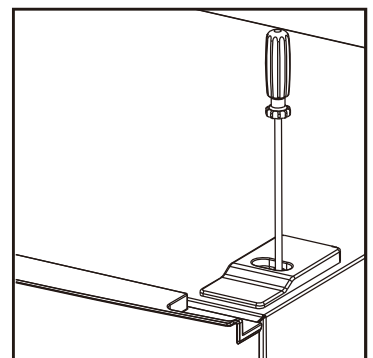
8. Instale la puerta inferior, ajuste y fije la bisagra central en el aparato.



9. Vuelva a colocar la puerta superior. Asegúrese de que la puerta esté alineada horizontalmente y verticalmente para que los sellos estén cerrados por todos lados, antes de apretar finalmente la bisagra superior. A continuación, inserte la bisagra superior y atorníllela a la parte superior de la unidad y luego fije la cubierta de las bisagras (en la bolsa de accesorios) con un tornillo.

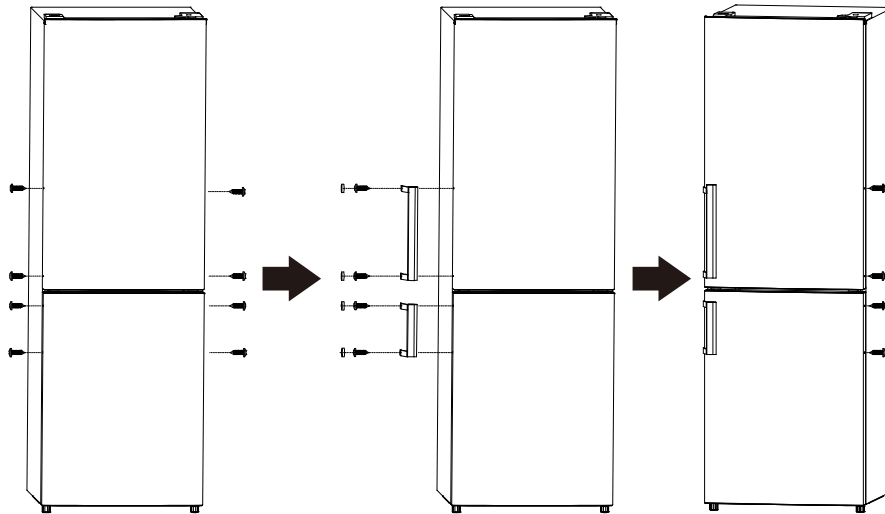


10. Fije la tapa del tornillo.



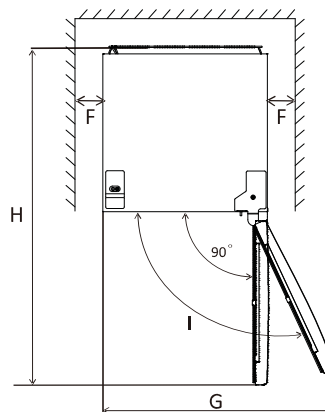
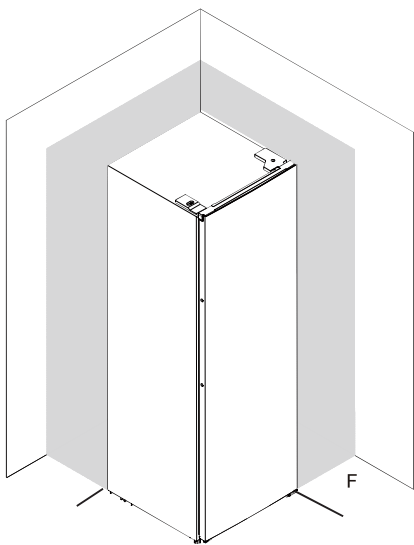
# Instalación

## Configuración de la manija de la puerta (si la manija está presente en el modelo)



### Requerimiento de espacio

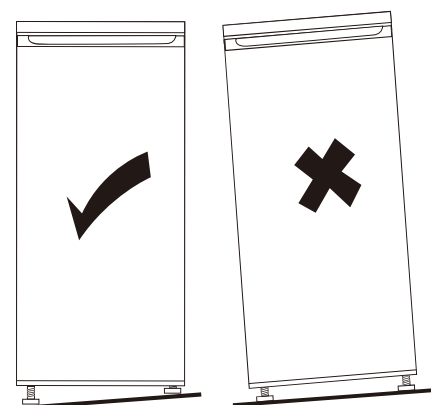
- Deje espacio suficiente para abrir la puerta.
- Deje por lo menos 50 mm en cada lado.



A	600
B	672
C	1855
D	min=50
E	min=50
F	min=50
G	1200
H	1285
I	135°

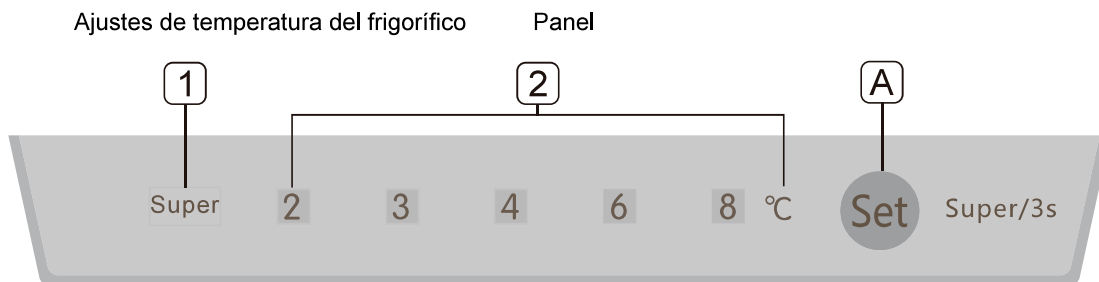
### Nivelación de la unidad

Para hacer esto, ajuste las dos nivelaciones de la unidad.  
Si la unidad no está nivelada, las puertas y las alineaciones del sello magnético no se cubrirán adecuadamente.



# Interfaz de usuario

## 1. Ajustes de temperatura del compartimento frigorífico



### 1.1 Botón de operación

: Botón de ajuste

Presione brevemente este botón para seleccionar la temperatura de funcionamiento.  
Siga presionando este botón durante 3 segundos para seleccionar el modo "Super".

### 1.2 Indicadores

- 1) Indicador de modo Super: la luz se enciende cuando se selecciona el modo Super.
- 2) Ajuste de los indicadores de temperatura del compartimento frigorífico. El indicador de luz significa que se selecciona la temperatura relacionada.

### 1.3 Modo Super

#### Activar Modo Super

Mantenga pulsado el botón durante 3 segundos, se activará el modo super, y se iluminará el indicador.

Cuando se activa el modo súper, La temperatura del frigorífico permanecerá en el ajuste anterior y no podrá ser cambiada presionando el botón .

#### Salir del modo Super

Pulse el botón Set (A) durante más de 3 segundos

O el aparato se restaurará automáticamente a la configuración original cuando el modo Super se haya funcionando durante más de 50 horas.

## 2. Ajuste de temperatura del compartimento congelador

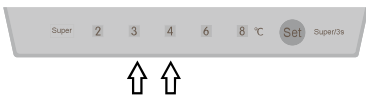





Control deslizante de ajuste de temperatura del congelador:



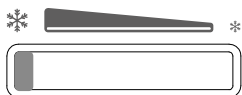
- Este control deslizante en el compartimento del frigorífico se utiliza para ajustar la temperatura del compartimento del congelador.
- El control deslizante está posicionado hacia , la temperatura en el compartimento del congelador será más alta. Al contrario la temperatura en el compartimento del congelador será más baja si se mueve el control deslizante hacia .
- La posición media del control deslizante es la posición recomendada para un uso normal.

# Interfaz de usuario

## 3. Ajuste de temperatura recomendada

Ajuste de temperatura recomendada		
Temperatura ambiental	Compartimento frigorífico	Compartimento congelador
Cálido >27°C	 ↑ ↑	
Normal 17°C~27°C	 ↑ ↑	
Frío <17°C	 ↑	

**¡ADVERTENCIA!** Nunca coloque el control deslizante a la izquierda, como se muestra a continuación.



## Uso diario

### El primer uso

#### Limpiar el interior

Antes de usar el dispositivo, enjuague el interior de las partes internas con agua tibia y con jabón neutro para eliminar el olor característico del nuevo dispositivo, y luego seque a fondo. **¡Importante!** No utilice limpiadores abrasivos o detergentes, ya que podría dañar los dispositivos de procesamiento de finos.

#### Uso diario

Coloque diferentes alimentos en diferentes compartimentos de acuerdo con la siguiente tabla.

Compartimientos del refrigerador	Tipo de comida
Puerta o balcones del compartimento frigorífico	<ul style="list-style-type: none"><li>• Alimentos con conservantes naturales, como mermeladas, jugos, bebidas, condimentos</li><li>• No almacene alimentos perecederos</li></ul>
Cajón para verduras (cajón para ensaladas)	<ul style="list-style-type: none"><li>• Las frutas, hierbas y verduras deben colocarse por separado en el recipiente para verduras</li><li>• No almacene platanos, papas, ajo en el refrigerador.</li></ul>
Estante del refrigerador- medio	<ul style="list-style-type: none"><li>• Productos lácteos, huevos</li></ul>
Estante del refrigerador- parte superior	<ul style="list-style-type: none"><li>• Alimentos que no necesitan enfriamiento, como alimentos listos para comer, carne, sobras</li></ul>
Cajones/estante del congelador	<ul style="list-style-type: none"><li>• Alimentos para almacenamiento a largo plazo</li><li>• Cajón inferior / estante para carne cruda, aves, pescado</li><li>• Cajón / estante intermedio para verduras congeladas, patatas fritas.</li><li>• Cajón/estante superior para helados, fruta congelada, productos horneados congelados.</li></ul>

#### La congelación de alimentos frescos

- Congelador es adecuado para congelar alimentos frescos y conservar productos congelados y ultracongelados durante un largo periodo de tiempo.
- Coloque el compartimento de alimentos frescos en la parte inferior del dispositivo.
- La cantidad máxima de alimentos que se pueden congelar en 24 horas se muestra en la tabla.
- El proceso de congelación dura 24 horas: durante este periodo no añada otros alimentos a congelar.
- Para obtener una mayor capacidad de congelación, coloque los alimentos no congelados en el compartimento del congelador después de haber iniciado el modo súper durante 26 horas.

#### Almacenamiento de alimentos congelados

La primera vez que encienda el dispositivo o dispositivos después de un periodo de inactividad, antes de colocar los alimentos en el congelador permita que el dispositivo funcione durante al menos dos horas a temperatura máxima.

**¡Importante!** En el caso de la descongelación no planificada, por ejemplo, cuando no había electricidad del valor que se muestra en las especificaciones técnicas en "Tiempo del deshielo", los alimentos deben ser consumidos en un corto periodo de tiempo o inmediatamente cocinados.

#### Descongelación

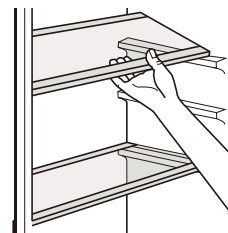
Alimento ultracongelado o congelado antes de su uso debe disolverse en el refrigerador o a temperatura ambiente, dependiendo del tiempo disponible para este proceso. Las piezas pequeñas se pueden cocinar aunque todavía congeladas, directamente del congelador. En este caso, cocinar tomará más tiempo.

# Uso diario

## Accesorios

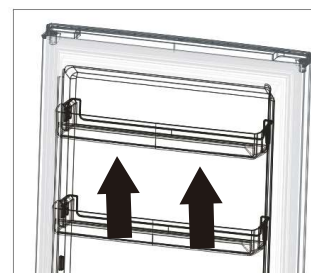
### Estantes movibles

Las paredes del frigorífico están equipadas con una serie de pasillos para que los estantes se puedan colocar como se desee.



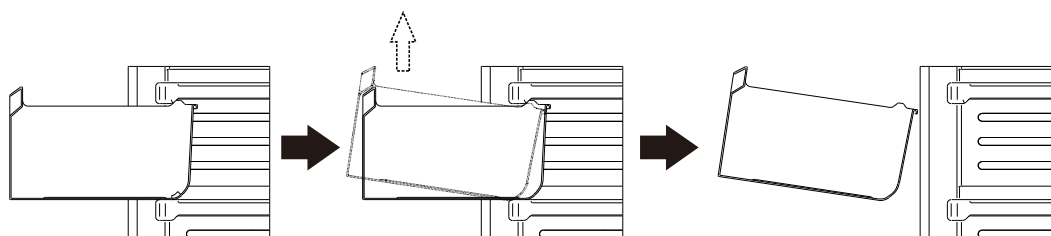
### Coloque los estantes de la puerta

Los balcones de las puertas se pueden desmontar para su limpieza. Para ajustar la altura, proceda de la siguiente manera: tire gradualmente del estante en la dirección de las flechas hasta que se suelte, luego vuelva a colocarlo como desee.



### Desmontar el cajón inferior

1. Saque el cajón inferior hasta la posición de tope.
2. Levante la parte delantera del cajón.
3. Saque el cajón inferior.



## Consejos útiles

### Consejos para la congelación

Para ayudarle a obtener el máximo del proceso de congelado les presentamos algunos consejos útiles:

- la cantidad máxima de comida que puede ser congelada en 24 horas se muestra en las especificaciones;
- el proceso de congelado lleva 24 horas. Durante este periodo no debe agregarse comida a ser congelada;
- congele únicamente alimentos de calidad, frescos y lavados;
- prepare la comida en pequeñas porciones para permitir que se congele de forma rápida y completa y luego poder descongelar únicamente la cantidad necesaria;
- envuelva la comida en papel de aluminio o film y asegúrese que los paquetes se encuentren herméticos;
- no permita que la comida fresca, no congelada, entre en contacto con la comida que ya se encuentra congelada, para evitar que aumente la temperatura de esta última;
- los alimentos magros se conservan mejor y por más tiempo que aquellos con grasa; la sal reduce el tiempo de almacenamiento de los alimentos;
- el hielo, si se consume inmediatamente después de retirado del compartimento del congelador, puede causar quemaduras en la piel;
- se recomienda verificar la fecha de congelamiento en cada paquete individual para así llevar registro del tiempo de almacenamiento y su vencimiento.

## Uso diario

---

### Consejos para conservacion de alimentos congelados

Para lograr el mejor rendimiento de este dispositivo, usted deberia:

- asegurarse de que la comida congelada comercial este adecuadamente embalada por el vendedor;
- asegurarse de que la comida congelada ha sido el menos tiempo posible en el congelador del vendedor;
- no abrir la puerta con frecuencia o dejarla abierta mas de lo necesario.
- una vez descongelado, descomponer los alimentos porque no se puede volver a congelar.
- no deje que expire la fecha limite del producto, indicada por el fabricante

### Consejos para la refrigeracion de comida fresca

Para obtener un mejor rendimiento:

- No guarde comida tibia o lfquidos que se evaporen en el refrigerador.
- Cubra o envuelva la comida, especialmente si tiene un sabor fuerte.

### Consejos para la refrigeración

Consejos utiles:

- Carne (todos tipos): Envuelva en bolsas plasticas y coloquelas sobre los estantes de vidrio sobre el cajon de los vegetales.
- Por su seguridad, conserve de esta forma unicamente por uno o dos dias maximo.
- Comidas cocinadas, platos frios, etc.: deben cubrirse y colocarse en cualquier estante.
- Frutas y verduras: deben limpiarse cuidadosamente y colocarse en los cajones especiales.
- Manteca y queso: deben colocarse en contenedores hermeticos especiales o envueltos en papel luminio o bolsas plasticas para eliminar el taylor aire posibl .
- Botellas de leche: deben estar tapadas y deben almacenarse en los cajones de la puerta.
- No deben guardarse bananas, papas, cebollas y ajo en el refrigerador a menos que esten envasados.

### Limpieza

Por razones de higiene dentro de la unidad, incluyendo los componentes internos debe limpiarse regularmente.



**Atención!** El dispositivo no debe estar encendido durante la limpieza. Existe peligro de descarga electrica! Antes de limpiar comprueba que el dispositivo este apagado y retire el enchufe de la toma de corriente. Nunca deje el dispositivo humedo despues de limpiaiio. La humedad de las piezas electricas puede causar peligro de descarga electrica! Tambien el vapor caliente puede causar danos a las piezas de plastico. El aparato debe estar seco antes de encenderlo de nuevo.

**Importante!** Aceites esenciales y disolventes organicos pueden reaccionar con las piezas de plastico, tales como jugo de limon o, jugo de aranja, acido butirico, agentes que contienen acido acetico.

- No permita que tales sustancias entren en contacto con las partes del aparato.
- No utilice limpiadores abrasivos
- Saque los alimentos del congelador, guardelos en un lugar fresco, bien tapado
- Apague la unidad y retire el enchufe de la toma, o apague o apague el disyuntor del fusible
- Limpie el aparato y los accesorios interiores con un pano y agua tibia. Despues de limpiar, limpie con agua dulce y seque.
- Despues de que todo el aparato este seco, vuelva a ponerlo en servicio.

## Uso diario

### Reemplazo de la lampara

La lampara interna es de tipo LED. Para reemplazarlo, comunguese con un tecnico calificado.

### Solucion de problemas



**Atención!** Antes de la resolucion de problemas, desconecte el cable de alimentacion. Solo un electricista cualificado puede resolver un problema que no aparece en el prospecto.

**Importante!** Durante el uso normal estan presentes ciertos sonidos (compresor, la circulacion de refrigerante).

Problema	Posible causa	Solucion
El dispositivo no funciona	La perilla de regulaci3n de temperatura est3 configurada en el punto m3s frio	Coloque la perilla en otro interruptor del aparato.
	El enchufe principal no se enciende o se debilita	Conectar el cable principal.
	Fusible se ha fundido o es defectuoso	Compruebe el fusible, reemplace si es necesario.
	El zocalo es defectuoso.	Enchufes defectuosos deben ser reemplazados por un electricista.
El dispositivo est3 demasiado frio.	La temperatura esta seleccionada en nivel frio.	Ajuste la temperatura temporalmente a las temperaturas m3s altas.
La comida est3 demasiado caliente.	La temperatura no est3 ajustada correctamente.	Por favor, refierase a la seccion Ajuste de la temperatura inicial.
	La puerta est3 abierta por un periodo demasiado largo.	Mantenga la puerta abierta s3lo cuando sea necesario.
	Una grande cantidad de comida caliente esta dentro del dispositivo durante de las iltimas 24 horas.	Ajuste la temperatura temporalmente a una temperatura m3s baja.
	El dispositivo se encuentra cerca de una fuente de calor.	Por favor refierase a la seccion Instalacion del dispositivo y su entorno.
Gran acumulaci3n de escarcha en la junta de la puerta.	El sello de la puerta no es herm3tico.	Caliente con cuidado las secciones con fugas del sello de la puerta con un secador de pelo (en un lugar frio). Al mismo tiempo d3 forma a la junta de la puerta calentada a mano de modo que quede correctamente asentada.
Ruido atipico	El dispositivo no est3 nivelado	Ajuste las patas niveladoras.
	El dispositivo est3 en contacto con la pared o otros objetos.	Mueva el dispositivo con cuidado.
	Una parte integral, por ejemplo, la tuberia, la parte posterior del aparato, est3 en contacto con la pared u otra parte del dispositivo.	Si es necesario, mueva con cuidado esa parte.
El agua esta en el piso	Deposito de agua esta obstruido.	Vea la seccion de limpieza.
Las partes de los lados estan calientes	Esto es normal. El condensador se encuentra en el interior del panel.	Lleve guantes para tocar los lados si es necesario.

Si el mal funcionamiento persiste, ponga se en contacto con el Centro del Servicio Estos datos son necesarios para ayudarte de forma r3pida y correcta. Escriba aqu3 los datos necesarios, consulte la placa de caracter3sticas.



1.

## DATOS TÉCNICOS

La información técnica se encuentra en la placa de características del lado interno del aparato y en la etiqueta energética. El código QR en la etiqueta energética, suministrada con el aparato, proporciona un enlace web a la información relacionada con el rendimiento del aparato en la base de datos EU EPREL.

Conserve la etiqueta energética como referencia, junto con el manual del usuario, y todos los demás documentos proporcionados con este aparato.

También es posible encontrar la misma información en EPREL, utilizando el enlace <https://eprel.ec.europa.eu> y el nombre del modelo y el número de producto que encontrará en la placa de características del aparato.

Consulte el enlace [www.theenergylabel.eu](http://www.theenergylabel.eu) para obtener información detallada sobre la etiqueta energética.

2.

## INFORMACIÓN PARA INSTITUTOS DE PRUEBAS

Para cualquier verificación de EcoDesign, el aparato debería cumplir con la norma EN 62552. Los requisitos de ventilación, las dimensiones del hueco y los espacios traseros mínimos, deben ser como ha sido establecido en este Manual del usuario en el Capítulo 2. Por favor, comuníquese con el fabricante para cualquier otra información adicional, incluidos los planos de carga.

3.

## ATENCIÓN Y SERVICIO AL CLIENTE

Utilice siempre repuestos originales.

Cuando se comunique con nuestro Centro de servicio autorizado, asegúrese de tener los siguientes datos disponibles: Modelo, Número de serie e Índice de servicio.

La información se puede encontrar en la placa de características. El producto está sujeto a cambios sin previo aviso. Los repuestos originales de algunos componentes específicos están disponibles durante un mínimo de 7 o 10 años, según el tipo de componente, desde la puesta en el mercado de la última unidad del modelo.

Visite nuestro sitio web en:

[www.voxelectronics.com](http://www.voxelectronics.com)



POR

# **Manual de instruções**

## **Frigorífico com congelador**

**NO FROST**

**NF-3870F**

**EAC**

## Conteúdo

1. Informações de segurança	página 1-11
2. Aparência geral do aparelho	página 12
3. A instalação	página 13-16
4. O uso diário	página 17 -21
5. Resolução de problema	página 22
6. DADOS TÉCNICOS	página 23
7. INFORMAÇÃO PARA INSTITUTOS DE TESTES	página 23
8. SERVIÇO E CUIDADO AO CLIENTE	página 23

Pela sua segurança e a fim de garantir um uso correcto do aparelho, deve ler atentamente este manual antes de instalar e começar a utilizar este aparelho. Tenha também especial atenção as dicas e aos avisos de segurança.

Para evitar erros e acidentes desnecessários, é importante garantir que todas as pessoas que usam o aparelho estejam totalmente familiarizadas com seu funcionamento e sistemas de segurança. Guarde estas instruções e certifique-se de que acompanham o aparelho em caso de sua deslocação ou venda, para que todas as pessoas que o venham a utilizar no futuro estejam devidamente informadas sobre como utilizar o aparelho e de forma segura.

Mantenha constante respeito pelos avisos de segurança deste manual para evitar lesões pessoais ou danos no aparelho.

O fabricante não se responsabiliza por danos ou acidentes causados por acções que desrespeitem as instruções presentes neste manual.

### **Segurança de crianças e pessoas vulneráveis**

- Este aparelho pode ser utilizado por crianças com idade superior a oito anos e pessoas com capacidades físicas, sensoriais ou mentais reduzidas ou com falta de experiência e conhecimento, conquanto que tenham supervisão ou recebido instruções sobre como utilizar o aparelho de forma segura e compreendam os

perigos envolvidos.

- Crianças com idade superior a oito anos podem colocar e retirar os alimentos deste aparelho.
- As crianças devem ser supervisionadas de perto para garantir que não brincam com o aparelho.
- A limpeza e manutenção feita pelo utilizador não deve ser realizada por crianças, a menos que tenham idade superior a oito anos e sejam supervisionadas por um adulto.
- As embalagens deste aparelho representam um risco de asfixia para as crianças. Mantenha as embalagens fora do alcance das crianças. Quando decidir descartar de vez este aparelho, retire a ficha da tomada e corte o cabo, executando o corte o mais próximo possível do aparelho. Remova também a porta do aparelho. Desta forma evita que crianças ao brincar com o aparelho possam apanhar choques eléctricos ou ficarem fechadas no seu interior.
- Se o seu aparelho antigo possui um sistema de cadeado ou fecho na porta ou outro compartimento, então certifique-se que destrói o cadeado ou fecho antes de descartar o aparelho. Tal impedirá por exemplo, que crianças ao brincar se fechem dentro do aparelho. Lembre-se que frigoríficos velhos descartados com fechos ou cadeados podem ser armadilhas mortais para crianças.

## **Segurança Geral**

**⚠ AVISO!** Mantenha livres e desobstruídas todas as aberturas de ventilação do corpo do aparelho ou da estrutura embutida.

**⚠ AVISO!** Não use nenhum dispositivo mecânico ou outra ferramenta para acelerar o processo de descongelamento, excepto aqueles recomendados pelo fabricante.

**⚠ AVISO!** Não danifique o circuito refrigerante.

**⚠ AVISO!** Não coloque outros aparelhos eléctricos (p.e. máquinas de gelados, sumos, etc) no interior do frigorífico a menos que sejam aprovados para esse fim pelo fabricante dos mesmos aparelhos.

**⚠ AVISO!** Não toque na lâmpada do aparelho se esta estiver ligada durante um longo período de tempo, pois pode estar quente.<sup>1)</sup>


**⚠ AVISO!** Quando colocar ou mover o aparelho, certifique-se que o cabo de alimentação não está preso nem danificado.

**⚠ AVISO!** Não coloque tomadas múltiplas, triplas ou geradores de energia na parte traseira do aparelho.

- Não armazene no interior deste aparelho substâncias explosivas como p.e. latas de aerossol com propelente inflamável.

1) Caso o compartimento tenha lâmpada.

- O circuito de refrigeração deste aparelho contém gás refrigerante isobutano R600a, um gás natural com elevado nível de compatibilidade ambiental mas que é também altamente inflamável.
- Durante o transporte e instalação do aparelho certifique-se que nenhum dos componentes do circuito refrigerante sofre danos.
- Evite proximidade de chamas abertas e fontes de ignição.
- Mantenha totalmente ventilada a sala em que o aparelho se localiza.
- Alterar as especificações ou modificar este produto de qualquer forma representa um elevado perigo. Qualquer dano no cabo pode causar curto-circuito, incêndio e/ou choque eléctrico.
- Este aparelho destina-se a uso doméstico ou semelhante, como por exemplo:
  - áreas de cozinha de recursos humanos em lojas, escritórios e outros locais de trabalho;
  - quintas e residências rurais ou uso por clientes de hotéis, motéis, pousadas e estabelecimentos hoteleiros semelhantes;
  - catering e outras aplicações não retalhistas semelhantes

 **AVISO!** Qualquer componente eléctrico como ficha, cabo de alimentação, motor ou outro, deve ser substituído por um agente certificado ou pessoal devidamente qualificado.

**⚠ AVISO!!** A lâmpada fornecida com este aparelho é uma “lâmpada de uso especial”, utilizável apenas para este aparelho. Esta "lâmpada de uso especial" não é utilizável para iluminação doméstica.<sup>1)</sup>

- O cabo da alimentação não pode ser emendado e alongado.
- Certifique-se de que a ficha eléctrica não é prensada ou danificada na parte traseira do aparelho. Se a ficha se danificar pode causar sobreaquecimento do aparelho e no limite, um incêndio.
- Certifique-se de que a ficha do aparelho está sempre ao seu alcance.
- Não puxe o cabo de alimentação para retirar a ficha.
- Não ligue a ficha a uma tomada solta ou mal instalada, dado o risco de incêndio ou choque eléctrico.
- Não opere o aparelho sem a lâmpada.
- O aparelho é pesado e deve ser movido com cuidado.
- Não retire nem toque produtos armazenados no congelador se tiver as mãos húmidas ou molhadas, pois pode causar lesões na pele como queimaduras por gelo.
- Evite a exposição prolongada do aparelho à luz solar directa.



## **Uso diário**

- Não coloque produtos quentes nas partes plásticas do aparelho.
- Não permita o contacto directo de produtos alimentares com a grelha traseira.

## **Avisos de segurança**

- Alimentos descongelados não devem ser novamente congelados.<sup>1)</sup>
- Armazene alimentos congelados pré-embalados de acordo com as instruções do fabricante dos seus alimentos congelados.<sup>1)</sup>
- As recomendações de armazenamento dos fabricantes de electrodomésticos devem ser estritamente cumpridas. Por favor, consulte as instruções relevantes.
- Não coloque refrigerantes e bebidas gaseificadas no congelador, dado que o gás cria pressão na garrafa ou recipiente da bebida podendo resultar na sua explosão e danos no aparelho.<sup>1)</sup>
- Os chamados "pauzinhos" dos gelados podem causar queimaduras de gelo se tocarem na pele imediatamente após serem retirados do congelador. Aguarde um pouco após retirá-los.<sup>1)</sup>
- Para evitar a contaminação dos alimentos, respeite por favor as seguintes instruções
- Abrir a porta por longos períodos pode causar um aumento significativo da temperatura nos compartimentos do aparelho.

1) Caso o compartimento tenha lâmpada.

- Limpe regularmente as superfícies que podem entrar em contacto com alimentos e os sistemas de drenagem acessíveis.
- Limpe os depósitos da água se estes não forem usados durante 48 horas. Se não utilizar água durante cinco dias, lave todo o sistema embutido, especialmente se este for ligado directamente a um sistema de fornecimento de água.
- Carne e o peixe crus devem ser armazenados em recipientes adequados por forma a não entrarem em contacto nem pingar sobre outros alimentos.
- Os compartimentos de duas estrelas para alimentos congelados (se incluídos neste aparelho) são adequados para armazenar alimentos pré-congelados, fazer gelados ou cubos de gelo.
- Os compartimentos de uma, duas e três estrelas (se disponíveis no aparelho) não são adequados para congelar alimentos frescos.
- Se o aparelho permanecer vazio durante longos períodos, desligue-o, descongele, limpe, seque e deixe a porta aberta para evitar o desenvolvimento de mofo e manchas dentro do aparelho.

### **Manutenção e limpeza**

- Antes de executar qualquer manutenção, desligue o aparelho retirando a ficha da tomada.
- Não limpe o aparelho com objectos metálicos.
- Não utilize objectos pontiagudos para remover o gelo do aparelho, prefira antes um raspador de

plástico.<sup>1)</sup>

- Examine regularmente o ralo do frigorífico para ver se este tem água acumulada. Caso seja necessário, limpe o ralo. Se o ralo estiver bloqueado, a água irá acumular-se na parte inferior do aparelho.

## **Instalação**

**Importante!** Para uma correcta ligação a corrente eléctrica siga as instruções disponíveis nos parágrafos específicos.

- Desembale o aparelho e verifique se este apresenta danos. Não ligue o aparelho se este estiver danificado. Em caso de danos, reporte imediatamente ao local onde comprou este aparelho e guarde também a embalagem.

- Aguarde um mínimo de quatro horas antes de ligar o aparelho a corrente para permitir que o óleo circule novamente de volta para o compressor.

- Assegure uma circulação de ar adequada no redor do aparelho, caso contrário poderá levar ao seu sobreaquecimento. Para obter ventilação suficiente, siga as instruções para a instalação.

- Sempre que possível, os distanciadores do aparelho devem estar encostados a uma parede para evitar tocar ou prender as partes quentes como o compressor ou condensador e evitar possíveis queimaduras.

<sup>1)</sup>Caso o compartimento tenha lâmpada.

- O aparelho não deve ser colocado perto de radiadores ou fogões.
- Certifique-se de que a ficha que liga a tomada permanece facilmente acessível mesmo após a instalação do aparelho.

### **Serviço e manutenção**

- Qualquer trabalho necessário para a manutenção do circuito eléctrico do aparelho deve ser executado por um electricista qualificado ou pessoa competente.
- Este produto deve ser reparado num Centro de Serviço Autorizado e utilizando apenas peças sobressalentes certificadas.

### **Poupança de energia**

- Não coloque os alimentos ainda quentes no aparelho;
- Não armazene os alimentos demasiado próximos pois tal impede a circulação de ar;
- Certifique-se que os alimentos não tocam na parte traseira do interior do compartimentos;
- Se a eletricidade falhar, não abra a(s) porta(s);
- Não abra a(s) porta(s) com muita frequência;
- Não mantenha a(s) porta(s) aberta(s) durante muito tempo;
- Não coloque o termóstato em temperaturas demasiado frias;
- Acessórios como gavetas, prateleiras e depósitos, devem ser mantidos nos seus lugares para ajudar a

manter um baixo consumo de energia.

## **Protecção Ambiental**

Este aparelho não contém gases que possam danificar a camada de ozono, seja no circuito refrigerante ou nos materiais de isolamento.

O aparelho não deve ser descartado em conjunto com lixo doméstico. A espuma do isolamento contém gases inflamáveis e o aparelho deve ser eliminado de acordo com os regulamentos que pode obter junto das suas autoridades locais. Evite danificar a unidade de arrefecimento, em particular o permutador de calor.

Todos os materiais presentes neste aparelho e marcados pelo símbolo  são recicláveis.



Este símbolo no aparelho ou embalagem indica que este produto não pode ser tratado como lixo doméstico. Em alternativa, deve ser levado a um ponto de recolha apropriado para reciclagem de equipamentos eléctricos e electrónicos.

Ao assegurar que este aparelho é correctamente descartado, está a ajudar a prevenir potenciais consequências negativas para o meio ambiente e a saúde pública que poderiam ser causadas pelo manuseio inadequado dos resíduos presentes no aparelho. Para obter informações mais detalhadas sobre a reciclagem deste produto, entre em contacto com as suas autoridades locais, o centro de recolha adequado mais próximo da sua

residência ou o local onde adquiriu este produto.

## **Materiais de embalagem**

Os materiais com o símbolo são recicláveis.

Descarte a embalagem em recipientes de colecta adequados para reciclagem.

## **Descarte do aparelho**

1. Desligue a ficha de corrente da tomada.
2. Desligue o cabo de alimentação e descarte-o.

### **⚠ AVISO!**

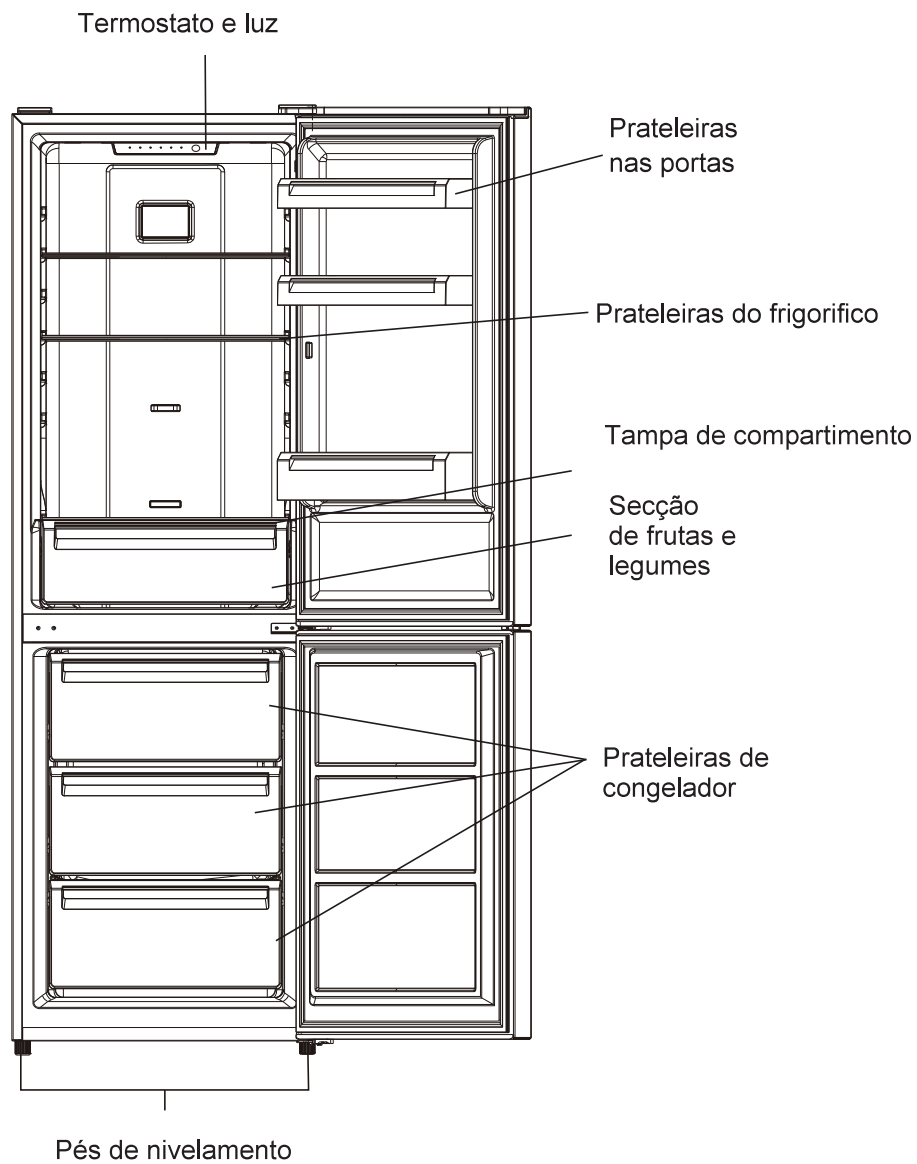


Durante a utilização, manutenção e eliminação do aparelho preste atenção ao símbolo semelhante ao disponível a esquerda e que se encontra na parte traseira do aparelho (painel traseiro ou compressor) com cor amarela ou laranja. Trata-se de um símbolo para alerta de risco de incêndio. Existem materiais inflamáveis nos tubos do refrigerante e do compressor.

Durante a utilização, manutenção ou descarte do aparelho, mantenha sempre uma distância segura de chamas ou fontes de ignição.

## Aspecto do aparelho

---



Nota: Esta imagem é apenas para informação sobre as partes do aparelho.



## Instalação

---

### Requisito de Espaço

- Selecione um local sem exposição direta à luz solar;
- Selecione um local com espaço suficiente para as portas do frigorífico se abrirem facilmente;
- Selecione um local com piso bem nivelado;
- Deixe espaço suficiente para instalar o frigorífico sobre uma superfície plana;
- Ao instalar, deixe folga para a direita e esquerda, para trás e para cima. Tal ajudará a reduzir o consumo de energia e manterá a sua conta de electricidade mais baixa.
- Mantenha pelo menos 50mm de espaço nas folgas dos lados e parte traseira.

### Instalação

Posicione este aparelho num ambiente onde a temperatura corresponda a classificação climática do aparelho, listada na tabela:

- Temperado extenso: este aparelho deve ser usado em temperaturas ambientes que variam de 10°C a 32°C (SN);
- Temperado: este aparelho deve ser usado em temperaturas ambientes de 16°C a 32°C (N);
- Subtropical: este aparelho destina-se a ser utilizado em temperaturas ambiente de 16°C a 38°C (ST);
- Tropical: este aparelho destina-se a ser utilizado em temperaturas ambiente de 16°C a 43°C (T);

### Posicionamento

O aparelho deve ser instalado longe de fontes de calor (tais como luz de sol direta, aquecedor de água, radiador etc). **Certifique-se** de que o **ar pode** circular em **torno** do aparelho. Para melhor funcionamento, deixe uma distância de pelo menos 100mm entre a parte superior do aparelho e os móveis que houverem acima. Não instale o aparelho em cima de móveis. Se o pavimento não for perfeitamente horizontal, para compensar, desatarraxe ou atarraxe os pés dianteiros.



**ATENÇÃO!** Com o aparelho instalado, deve garantir um fácil acesso ao cabo eléctrico e a tomada eléctrica.

### Ligação eléctrica

Antes de ligar, certifique-se que a tensão de alimentação indicada na tabela corresponde a tensão da rede do seu domicílio. A tomada deve ter uma ligação terra. Se a tomada não tem a ligação terra, por favor, consulte um electricista. O fabricante rejeitará qualquer responsabilidade se estas regras não forem seguidas.

Este dispositivo está em conformidade com as directivas CEE.

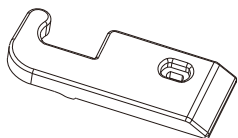


# Instalação

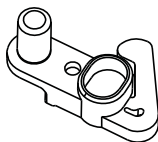
## Inverter a abertura da porta

Antes de inverter a porta, prepare por favor a seguinte lista de ferramentas e material: chave de fendas, chave de fendas cruzada, chave inglesa e os componentes incluídos no saco de polietileno:

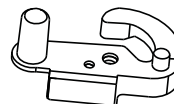
Tampa esquerda da dobradiça da porta x 1



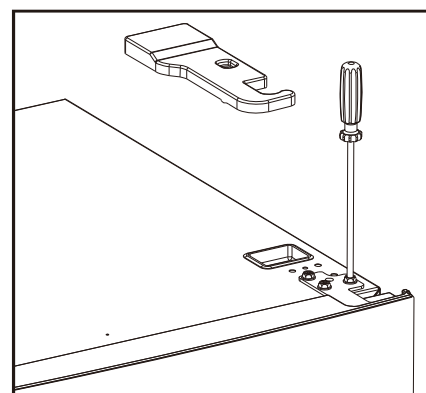
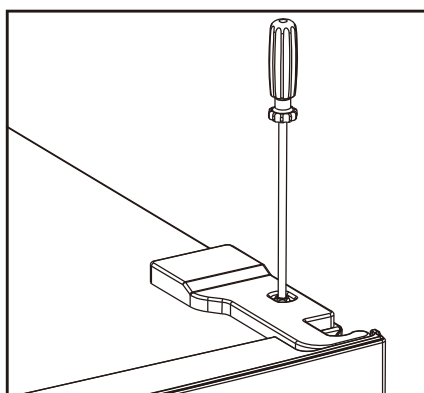
⌘ Fecho auxiliar esquerdo da porta superior x 1



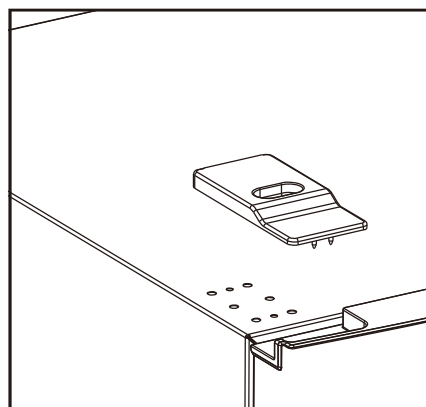
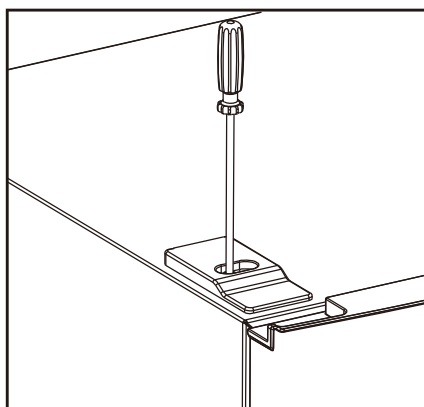
Fecho auxiliar esquerdo na porta inferior x 1



1. Desparafuse a tampa da dobradiça superior e de seguida desparafuse a dobradiça. Após retirar a porta superior, pouse-a numa superfície macia para evitar riscos e danos.

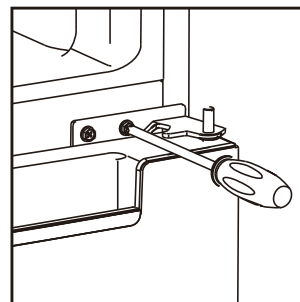


2. Retire a cobertura do parafuso esquerdo superior.

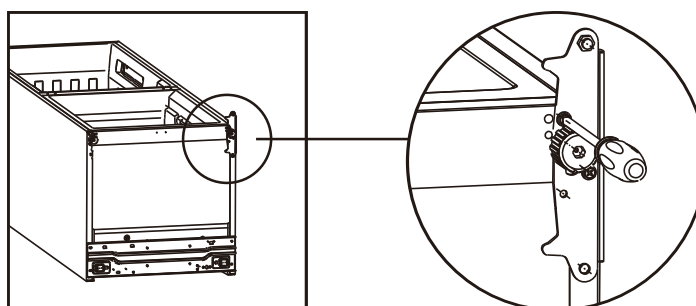


# Instalação

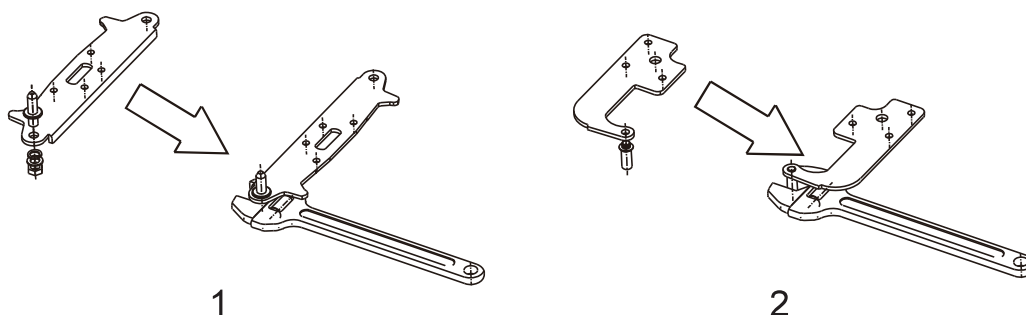
3. Remova a porta superior, retire o parafuso da dobradiça do meio com uma chave de fenda cruzada e de seguida, remova a porta inferior.



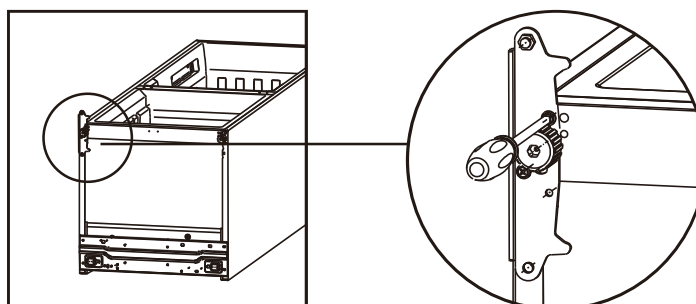
4. Deite o frigorífico, remova os pés ajustáveis (conforme indicado abaixo), de seguida retire a dobradiça inferior com uma chave de fendas cruzada.



5. Ajuste a posição central das dobradiças inferior e superior em posições opostas.

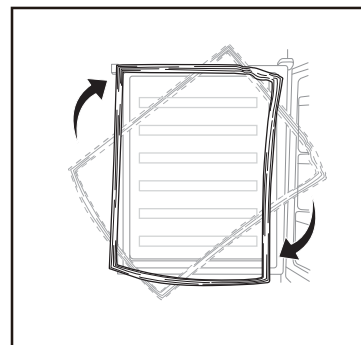


6. Instale a dobradiça inferior debaixo do frigorífico (conforme indicado abaixo), aparafuse os pés ajustáveis e certifique-se da sua posição na horizontal.

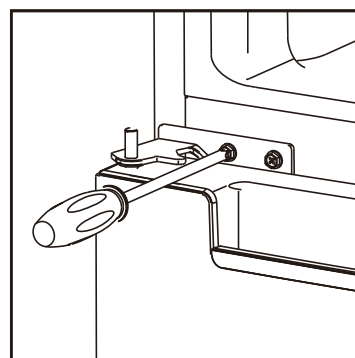


# Instalação

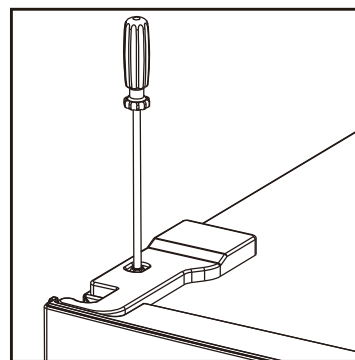
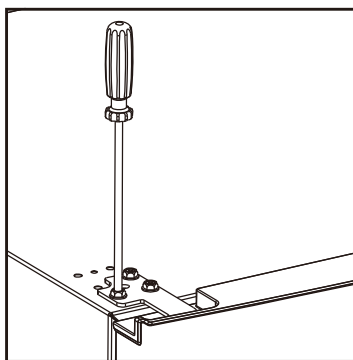
7. Desmonte as juntas da porta do frigorífico e da porta do congelador e fixe-as após rodar.



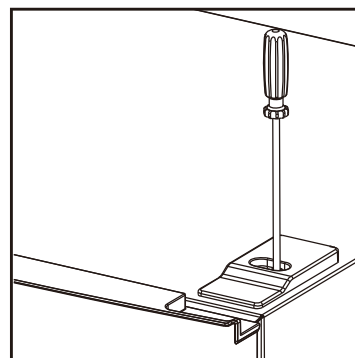
8. Instale a porta inferior, ajuste e fixe a dobradiça do meio no armário.



9. Coloque novamente a porta superior. Certifique-se de que a porta está alinhada na horizontal e vertical para que a vedação fique bem fechada em todos os lados antes de finalmente apertar a dobradiça superior. De seguida, insira a dobradiça superior e aparafuse-a na parte superior do aparelho e fixe a tampa da dobradiça (disponível na bolsa de acessórios) com o parafuso.

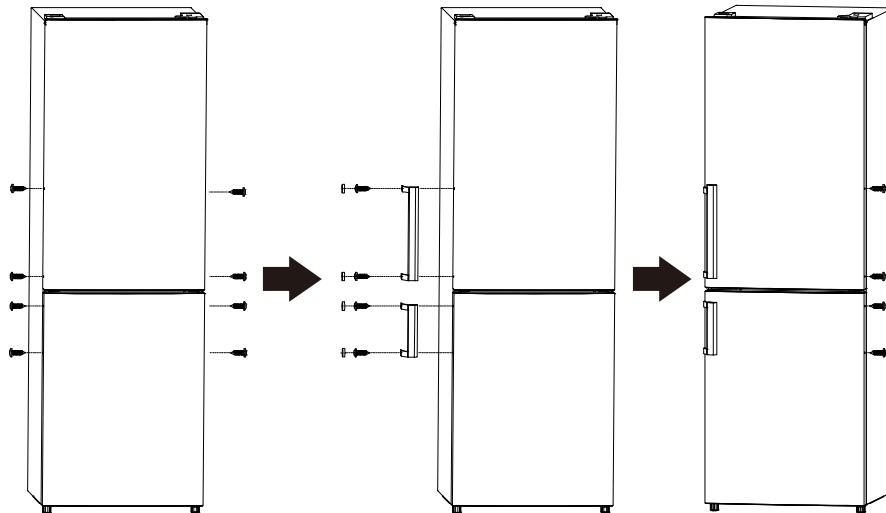


10. Fixe a tampa do parafuso



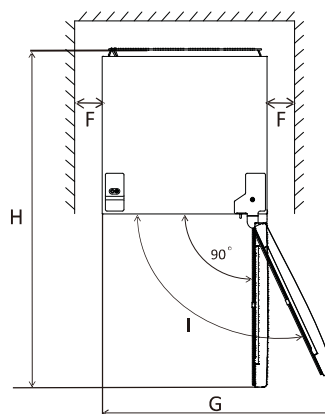
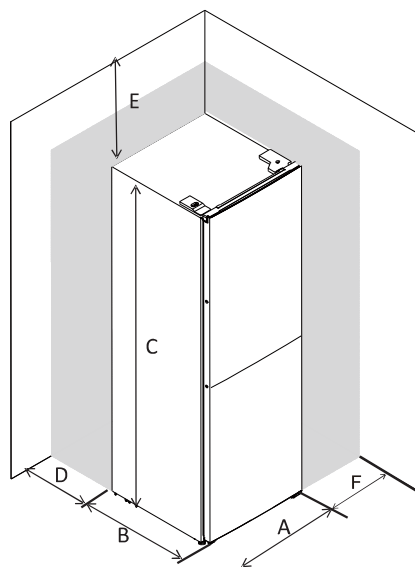
# Instalação

Instalar a maçaneta externa da porta (se a maçaneta tiver disponível neste modelo)



## Requisitos especiais

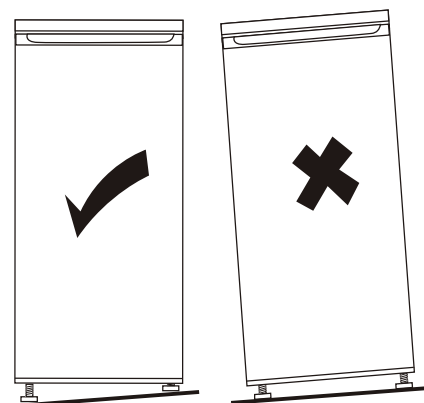
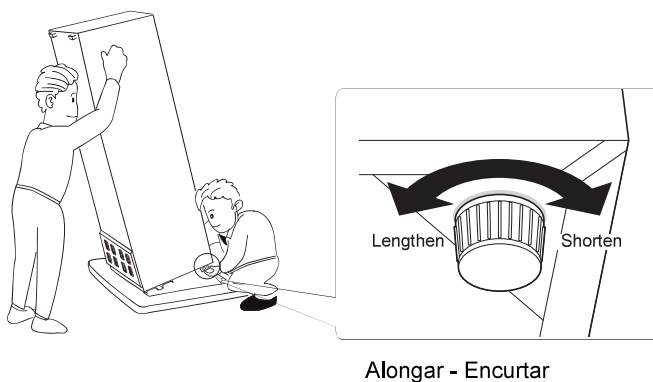
- Deixe espaço suficiente para abrir a porta.
- Deixe pelo menos 50 milímetros de cada lado



A	600
B	672
C	1855
D	min=50
E	min=50
F	min=50
G	1200
H	1285
I	135°

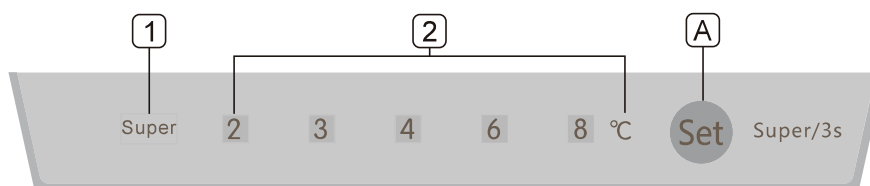
## Nivelar o aparelho

Para executar esta tarefa, ajuste os dois pés niveladores presentes na parte frontal do aparelho. Se o aparelho não estiver bem nivelado, as portas e a borracha vedante da porta poderão não funcionar correctamente.



# Uso diário

## 1. Painel de definições:



## 2. Botão

### A. Botão de definição

Pressione este botão para seleccionar a temperatura no modo "Super" .

## 3. Indicador

- 1) Indicador de modo Super: a luz acende quando o modo Super está seleccionado.
- 2) Definir os indicadores do compartimento do frigorífico. O indicador aceso indica a temperatura seleccionada.

## 4. Modo Super

Activar modo Super

Quando planeia congelar de forma rápida, pode seleccionar o modo Super.

Mantenha o botão (A) pressionado por mais de 3 segundos, O modo Super será activado. O Indicador debaixo do Super será ligado.

Em simultâneo, o indicador da temperatura do compartimento não mudará. Desligue o modo Super.

- Mantenha o botão (A) pressionado por mais de 3 segundos Ou o aparelho irá automaticamente regressar a definição original, quando o modo Super operar por mais de 50 horas.
- No modo Super, a definição de temperatura do compartimento do frigorífico não pode ser alterada.

## 5. Definição da temperatura do compartimento do frigorífico

No modo normal ( e não Super), pressione o botão de definição ( A ) para ajustar a definição da temperatura do compartimento em ciclos de 2°C, 3°C, 4°C, 6°C, 8°C .

### Dicas úteis:

Por favor, siga a tabela abaixo, para escolher a temperatura do frigorífico.

Temperatura ambiente	Temperatura recomendada
Verão (>32°C)	4°C, 6°C, 8°C
Normal	4°C
Inverno (<13°C)	2°C, 3°C, 4°C

## Uso diário

---

### 6. Função de memória após desligar

Este aparelho irá reiniciar automaticamente no modo prévio a falha eléctrica.

### 7. Controle de temperatura do compartimento do frigorífico

A definição temperatura do congelador do deslizante:

## CONTROLE DO CONGELADOR



- Este deslizante no compartimento é usado para ajustar a temperatura do compartimento.
- O deslizante está posicionado na direcção do ❄️, a temperatura no congelador será maior. Contrariamente a temperatura no congelador será menor se o deslizante se mover ❄️.

Uma posição intermédia do deslizante é recomendável durante uso corrente e normal.

- Para obter baixas temperaturas no congelador, deve seleccionar a temperatura “2” e posicionar o deslizante no ❄️.

Compartimentos do frigorífico	Tipo de alimentos
1. Porta ou gavetas do frigorífico	Alimentos com conservantes naturais como compotas, sumos, bebidas, condimentos. Não armazenar alimentos perecíveis.
2. Gaveta frutos e vegetais	Frutas, ervas e vegetais devem ser armazenados separadamente nesta gaveta. Bananas, cebolas, batatas e alhos não devem ser guardados no frigorífico.
3. Prateleira inferior	Carnes cruas, aves e peixe (para curtos períodos) Câmara frigorífica (caixa/gaveta)
4. Prateleira média	Produtos lácteos, ovos.
5. Prateleira superior	Alimentos que não precisam de ser confeccionados como refeições prontas, carnes frias e fumados ou sobras de refeições anteriores
6. Gaveta/prateleira congelador	Alimentos para armazenamento a longo prazo. Gaveta/prateleira inferior para carne crua, frango, peixe. Gaveta/prateleira média para legumes congelados, batatas fritas. Gaveta/prateleira superior para gelados, frutas congeladas, pão produtos de confeitaria.
7. Arca frigorífica	Alimentos para armazenamento de longo prazo. Carne crua, carne de aves, peixes, legumes congelados, batatas fritas, gelados, frutas congeladas, pão e produtos de confeitaria.

## Uso diário

---

### Primeira utilização

#### Limpeza da parte interna

Antes da primeira utilização lave o interior e as partes internas com água morna e sabão neutro para remover o odor característico de aparelhos novos. Em seguida, seque completamente.

**Atenção!** Não utilize produtos de limpeza abrasivos ou detergentes, pois podem danificar o aparelho.

### Uso diário

#### Congelação de alimentos frescos

- O congelador é adequado para a congelação de alimentos frescos e conservação de alimentos congelados e ultracongelados por um longo período de tempo.

~Coloque alimentos frescos na parte inferior do dispositivo.

~A quantidade máxima de alimentos que pode ser congelada durante 24 horas é mostrada na Tabela.

~O processo de congelação demora 24 horas: durante este período não adicione outros alimentos no congelador.

#### Armazenamento de alimentos congelados

Quando ligar o aparelho pela primeira vez ou depois de um período longo desligado e antes de colocar alimentos no congelador, deixe o aparelho ligado pelo menos 2 horas na temperatura máxima.

**Atenção!** Em caso de descongelação não planeada, por exemplo, por falha na eletricidade superiores ao tempo indicado nas especificações técnicas em "tempo de descongelamento", os alimentos descongelados devem ser consumidos num curto período de tempo ou imediatamente cozidos e depois congelados novamente.

#### Descongelação

Antes de serem utilizados, os alimentos congelados ou ultracongelados podem ser descongelados no frigorífico ou à temperatura ambiente, dependendo do tempo disponível para esta operação. Os produtos pequenos podem ser cozinhados ainda congelados, directamente do congelador. Neste caso, a confecção demora mais tempo.

### Dicas úteis

#### Dicas para armazenamento de alimentos frescos no frigorífico

Para obter o melhor desempenho deste aparelho, deve:

~Não colocar alimentos quentes ou líquidos que se evaporam na geladeira.

~Cubrir ou envolver comida que tenha um cheiro forte

- Embrulhar em sacos de plástico de congelação de alimentos e colocar em prateleiras de vidro acima do compartimento para armazenar legumes e frutas.

Para a sua segurança, deste modo armazene alimentos apenas um ou dois dias.

~Alimentos cozidos, pratos frios, etc ... devem ser tapados e podem ser armazenados em qualquer prateleira.

~Frutas e legumes: cuidadosamente limpos e armazenados na gaveta

manteiga e queijo: Manter na caixa designada ou embrulhados em papel alumínio ou saco de congelador

~Garrafas de leite: devem ter uma tampa e mantidas nos compartimentos na porta da geladeira.

- Banana, batata, cebola e alho, se não embalados, não devem ser conservados no frigorífico.

# Uso diário

---

## Armazenamento de alimentos congelados

Para obter o melhor desempenho deste aparelho, deve:

- certifique-se de que os alimentos congelados comercialmente foram armazenados adequadamente pelo vendedor;
- certifique-se de que os alimentos congelados são transferidos do supermercado para o congelador no tempo mais curto possível;
- Não abra a porta muitas vezes nem a deixe aberta mais tempo do que o absolutamente necessário.
- Uma vez descongelados, os alimentos degradam-se rapidamente e não podem voltar a ser congelados;
- Não exceda o período de armazenamento indicado pelo produtor dos alimentos.

## Dicas para armazenamento de alimentos frescos no frigorífico

Para obter o melhor desempenho deste aparelho, deve:

- Não colocar alimentos quentes ou líquidos que se evaporam na geladeira.
- Cubrir ou envolver comida que tenha um cheiro forte
- Embrulhar em sacos de plástico de congelação de alimentos e colocar em prateleiras de vidro acima do compartimento para armazenar legumes e frutas.

Para a sua segurança, deste modo armazene alimentos apenas um ou dois dias.

- Alimentos cozidos, pratos frios, etc ... devem ser tapados e podem ser armazenados em qualquer prateleira.
- Frutas e legumes: cuidadosamente limpos e armazenados na gaveta
- Manteiga e queijo: Manter na caixa designada ou embrulhados em papel alumínio ou saco de congelador
- Garrafas de leite: devem ter uma tampa e mantidas nos compartimentos na porta da geladeira.
- Banana, batata, cebola e alho, se não embalados, não devem ser conservados no frigorífico.



## Limpeza

O interior do aparelho, incluindo componentes internos devem ser limpos regularmente

**Atenção!** O aparelho não deve estar ligado durante a limpeza. Existe o perigo de choque elétrico! Nunca limpe com vapor. Antes de limpeza desligue o aparelho e desconecte o cabo da tomada elétrica. A humidade pode ficar nas peças elétricas, representando perigo de choque elétrico! O vapor quente pode causar danos das partes plásticas. O aparelho deve ser seco antes de ser utilizado.

**Atenção!** Óleos essenciais e solventes orgânicos podem reagir com as peças de plástico, tais como sumo de limão ou sumo de laranja, ácido butírico, agentes de limpeza com ácido acético.

- Não permita que tais substâncias entrem em contacto com partes do dispositivo.
- Não use produtos de limpeza abrasivos..
- Remova os alimentos do congelador. Mantenha-os num sítio frio e bem cobertos.
- Desligue o aparelho e desconecte o cabo da tomada elétrica.
- Limpe o dispositivo e as partes internas com um pano e água morna. Em seguida, limpe com água limpa e seque bem.



## Uso diário

### Resolução de problema



**Atenção!** Antes de tentar resolver o problema, desconecte o cabo da tomada elétrica. Apenas um electricista qualificado pode resolver um problema que não esteja listado nestes instruções.

**Importante!** Durante a utilização normal estão presentes certos sons (compressor, circulação de refrigerante)

Problema	Causa possível	Solução
O aparelho não funciona	A ficha não está ligada ou não está bem inserida	Ligar a ficha.
	O fusível está queimado ou está bloqueado	Verificar o fusível, substituir se necessário
	A tomada elétrica está bloqueada	O problema deve ser resolvido apenas por um electricista
A temperatura no interior do compartimento frigorífico está demasiado fria.	O termostato não está na posição correta	Configurar o termostato temporariamente nas temperaturas mais altas
Alimentos não estão congelados	O termostato não está na posição correta	Ler o parágrafo Configuração da temperatura inicial.
	A porta está aberta por um período demasiado longo  Uma quantidade grande de alimentos foi colocada no frigorífico durante as últimas 24 horas	Manter a porta aberta apenas o necessário  Configurar o termostato temporariamente nas temperaturas mais altas
	O aparelho está perto de fonte de calor.	Ler o parágrafo Instalação e nivelamento do aparelho
Acumulação constante de geada na porta	A porta não está selada.	Atenciosamente aquecer superfícies na porta que vazam com o secador de cabelo (definido na refrigeração). Ao mesmo tempo formar uma fechadura com a mão para a voltar à sua forma original.
Ruído atípico	O aparelho não está nivelado corretamente.	Ajustar os pés
	O aparelho toca nas paredes ou outros objetos.	Mover pouco o aparelho
	Um das partes (o tubo de lado de trás, por exemplo) toca na parede ou outra parte do aparelho	Se necessário, mover cuidadosamente esta parte

Se a avaria ocorrer novamente, por favor, entre em contato com o Centro de Serviço.

Estes dados são necessários para lhe ajudarem adequadamente. Escreva os dados necessários aqui e compare-os com os problemas mais comuns na tabela.

**1.**

### **DADOS TÉCNICOS**

A informação técnica encontra-se na placa de classificação localizada no lado interno do aparelho e na etiqueta energética. O código QR na etiqueta energética fornecida com o aparelho fornece uma ligação web para a informação relacionada com o desempenho do aparelho, informação que se encontra disponível na base de dados EPREL da UE. Guarde a etiqueta energética para referência futura, juntamente com o manual do utilizador e todos os outros documentos fornecidos com este aparelho. Pode também encontrar a mesma informação na EPREL através do link <https://eprel.ec.europa.eu> bem como o nome do modelo e número do produto que se encontra na placa de classificação do aparelho. Ver o link [www.theenergylabel.eu](http://www.theenergylabel.eu) para mais informações detalhadas sobre a etiqueta energética.

**2.**

### **INFORMAÇÃO PARA INSTITUTOS DE TESTES**

O aparelho destinado a qualquer verificação do seu EcoDesign deve estar em conformidade com a norma EN 62552. Os requisitos de ventilação, dimensões do suporte para enbutir e folgas mínimas da retaguarda devem ser conforme as indicações presentes no no Capítulo 2 deste Manual do Utilizador. Por favor, contacte o fabricante caso necessite de mais alguma informação, incluindo planos de carga.

**3.**

### **SERVIÇO E CUIDADO AO CLIENTE**

Ao contactar com o nosso Centro de Serviço Autorizado, certifique-se de que tem consigo os seguintes dados disponíveis: Modelo, Número de Série e Índice de Serviço. A informação pode ser encontrada na placa de classificação do aparelho. Sujeito a alterações sem aviso prévio. As peças sobressalentes originais para alguns componentes específicos estão disponíveis por um mínimo de 7 ou 10 anos, com base no tipo de componente e contando a partir da data da colocação no mercado da última unidade do modelo.

Visite o nosso site em:

[www.voxelectronics.com](http://www.voxelectronics.com)

