



GBR

SRB

MKD

BIH

MNE

SVN

EBX 200 EIX

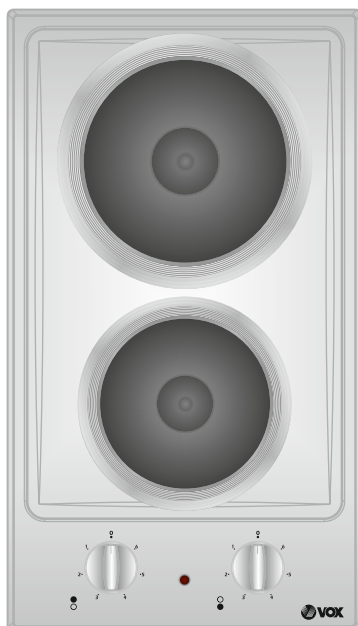
OPERATING INSTRUCTIONS DOMINO BUILT-IN ELECTRIC HOB
UPUTSTVO ZA UPOTREBU DOMINO UGRADNA ELEKTRIČNA PLOČA
УПАТСТВА ЗА РАКУВАЊЕ ВГРАДЕНАТА ЕЛЕКТРИЧНА ПЛОЧА
UPUTSTVO ZA UPOTREBU DOMINO UGRADNA ELEKTRIČNA PLOČA
NAVODILA ZA UPORABO VGRADNA ELEKTRIČNA DOMINO PLOŠČA

GBR



EBX200EIX

OPERATING AND INSTALLATION INSTRUCTIONS OF DOMINO BUILT-IN ELECTRIC HOB



CONTENTS

- 1. DESCRIPTION OF THE HOB**
- 2. SAFETY INSTRUCTIONS**
- 3. INSTALLATION**
- 4. USAGE**
- 5. MAINTENANCE & CARE**

Dear Customer,

Thank you for purchasing this Cooking Hob. The safety precautions and recommendations in these instructions are for your own safety and that of others. They will also provide a means by which to make full use of the features offered by your appliance.

Please keep this booklet in a safe place. It may be useful in future, either to yourself or to others in the event that doubts should arise relating to its operation.

This appliance must be used only for its intended purpose, that is for the domestic cooking of foodstuffs. Any other form of usage is to be considered as inappropriate and therefore dangerous.

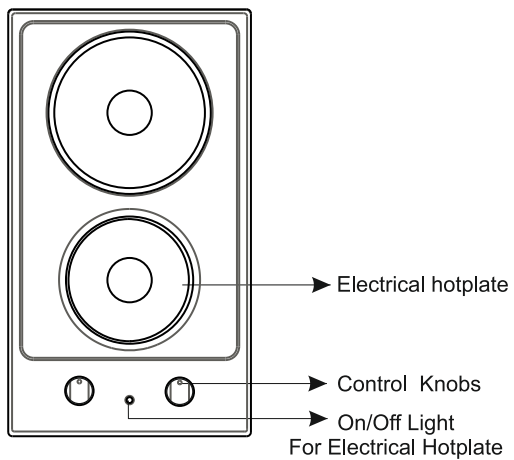
The manufacturer declines all responsibility in the event of damage caused by improper or incorrect use of the appliance.

CE Declaration of conformity

- This cooking hob has been designed to be used only for cooking. Any other use (such as heating a room) is improper and dangerous.
- This cooking hob has been designed, constructed, and marketed in compliance with:
 - Safety requirements of the "Low voltage" Directive 2006/95/EC;
 - Safety requirements of the "EMC" Directive 89/336/EC;
 - Requirements of the Directive 93/68/EC.



ELECTRIC HOB



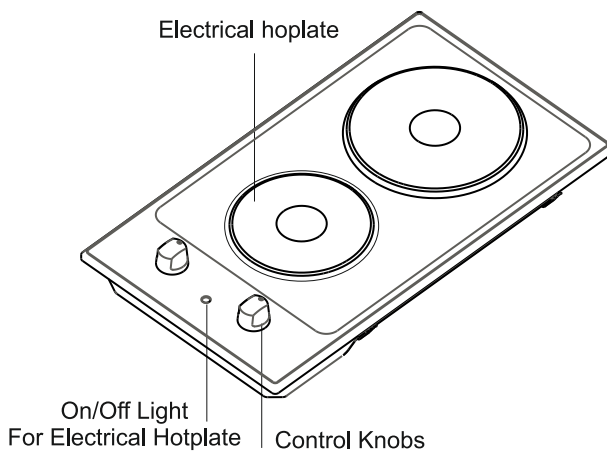
Rated voltage: 230V

Rated frequency : 50/60 Hz

BEFORE USING FOR THE FIRST TIME

Read the instructions carefully before installing and using the appliance.

After unpacking the appliance, make sure it is not damaged. In case of doubt, do not use appliance and contract your supplier or a qualified engineer. Remove all packaging and do not leave the packing material(plastic bags, polystyrene, bands etc.) in easy reach of children as they may cause serious injury. The packaging materials are recyclable. The appliance should be installed and all the electrical connections made by a qualified engineer in compliance with local regulations in force and following the manufacturers instructions. Do not attempt to modify the technical properties of the appliance, it may become dangerous to use .



Note: Appearance of your hob maybe different than the model shown above due to production changes.

This appliance has been designed for domestic use only. The appliance is NOT suitable for use within a semi-commercial, commercial or communal environment. It must only be used for the purpose of heating food or cooking food. Any other use for example heating room or any surface and operate without vessel is forbidden. If it is used like that, it will be dangerous, invalidate the warranty and all responsibility will belong to user.

READ THESE INSTRUCTIONS CAREFULLY AND COMPLETELY BEFORE USING YOUR APPLIANCE, AND KEEP IT IN A CONVENIENT PLACE FOR REFERENCE WHEN NECESSARY.

THIS MANUAL IS PREPARED FOR MORE THAN ONE MODEL IN COMMON. YOUR APPLIANCE MAY NOT HAVE SOME OF THE FEATURES THAT ARE EXPLAINED IN THIS MANUAL. PAY ATTENTION TO THE EXPRESSIONS THAT HAVE FIGURES, WHILE YOU ARE READING THE OPERATING MANUAL.

General Safety Warnings

- This appliance can be used by children aged from 8 years and above and persons with reduced physical, sensory or mental capabilities or lack of experience and knowledge if they have been given supervision or instruction concerning use of the appliance in a safe way and understand the hazards involved. Children shall not play with the appliance. Cleaning and user maintenance shall not be made by children without supervision.
- **WARNING:** The appliance and its accessible parts become hot during use. Care should be taken to avoid touching heating elements. Children less than 8 years of age shall be kept away unless continuously supervised.
- **WARNING:** Unattended cooking on a hob with fat or oil can be dangerous and may result in fire. **NEVER** try to extinguish a fire with water, but switch off the appliance and then cover flame e.g. with a lid or a fire blanket.
- **WARNING:** Danger of fire: do not store items on the cooking surfaces.

-
- **WARNING:** If the surface is cracked, switch off the appliance to avoid the possibility of electric shock.
 - For hobs incorporating a lid, any spillage should be removed from the lid before opening. And also the hob surface should be allowed to cool before closing the lid.
 - The appliance is not intended to be operated by means of an external timer or separate remote-control system.
 - Do not use harsh abrasive cleaners or sharp metal scrapers to clean the oven door glass and other surface since they can scratch the surface, which may result in shattering of the glass or damage to the surface.
 - Do not use steam cleaners for cleaning the appliance.

- Your appliance is produced in accordance with all applicable local and international standards and regulations.
- Maintenance and repair work must be made only by authorized service technicians. Installation and repair work that is carried out by unauthorized technicians may endanger you. It is dangerous to alter or modify the specifications of the appliance in any way.
- Prior to installation, ensure that the local distribution conditions (nature of the gas and gas pressure or electricity voltage and frequency) and the requirements of the appliance are compatible. The requirements for this appliance are stated on the label.
- **CAUTION:** This appliance is designed only for cooking food and is intended for indoor domestic household use only and should not be used for any other purpose or in any other application, such as for non-domestic use or in a commercial environment or room heating.
- All possible security measures have been taken to ensure your safety. Since the glass may break, you should be careful while cleaning to avoid scratching. Avoid hitting or knocking on the glass with accessories.
- Ensure that the supply cord is not wedged during the installation. If the supply cord is damaged, it must be replaced by the manufacturer, its service agent or similarly qualified persons in order to prevent a hazard.

Installation Warnings

- Do not operate the appliance before it is fully installed.
- The appliance must be installed by an authorized technician and put into use. The producer is not responsible for any damage that might be caused by defective placement and installation by unauthorized people.
- When you unpack the appliance, make sure that it is not damaged during transportation. In case of any defect; do not use the appliance and contact a qualified service agent immediately. As the materials used for packaging (nylon, staplers, styrofoam...etc) may cause harmful effects to children, they should be collected and removed immediately.
- Protect your appliance against atmospheric effects. Do not expose it to effects such as sun, rain, snow etc.
- The surrounding materials of the appliance (cabinet) must be able to withstand a temperature of min 100°C.
- The temperature of the bottom surface of the hob might rises during the operation. Therefore, a board must be installed underneath the product.

During usage

- Do not put flammable or combustible materials, in or near the appliance when it is operating.
- Do not leave the cooker while cooking with solid or liquid oils. They may catch fire on condition of extreme heating. Never pour water on to flames that are caused by oil. Cover the saucepan or frypan with its cover in order to choke the flame that has occurred in this case and turn the cooker off.
- Always position pans over the centre of the cooking zone, and turn the handles to a safe position so they cannot be knocked or grabbed.
- If you will not use the appliance for a long time, plug it off. Keep the main control switch off. Also when you do not use the appliance, keep the gas valve off.
- Make sure the appliance control knobs are always in the "0" (stop) position when it is not used.

During cleaning and maintenance

- Always turn the appliance off before operations such as cleaning or maintenance. You can do it after plugging the appliance off or turning the main switches off.
- Do not remove the control knobs to clean the control panel.

TO MAINTAIN THE EFFICIENCY AND SAFETY OF YOUR APPLIANCE, WE RECOMMEND YOU ALWAYS USE ORIGINAL SPARE PARTS AND TO CALL ONLY OUR AUTHORIZED SERVICE AGENTS IN CASE OF NEED.

- **If the supply cord is damaged, it must be replaced by the manufacturer, its service agent or similarly qualified person in order to avoid an electrical hazard.**

The electrical connection of this hob should be carried out by an authorised service personnel or a qualified electrician, according to the instructions in this guide and in compliance with the current regulations.

- Prior to installation, ensure that the local distribution conditions and the adjustment of the appliance are compatible .
- The laws, ordinances, directives and standards in force in the country of use are to be followed (safety regulations, proper recycling in accordance with the regulations, etc.).

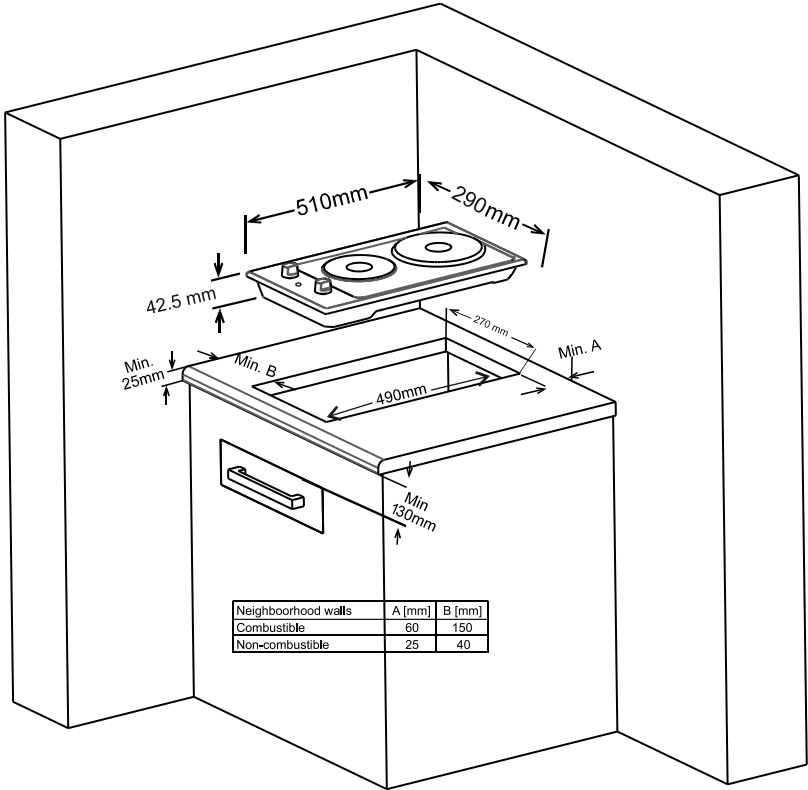
Locating your built-in hob

After removing the packaging material from the appliance and its accessories, ensure that the hob is not damaged. If you suspect any damage do not use the appliance and contact the store where you purchased this hob.

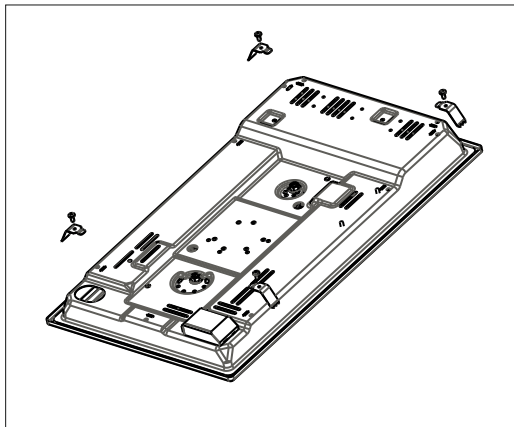
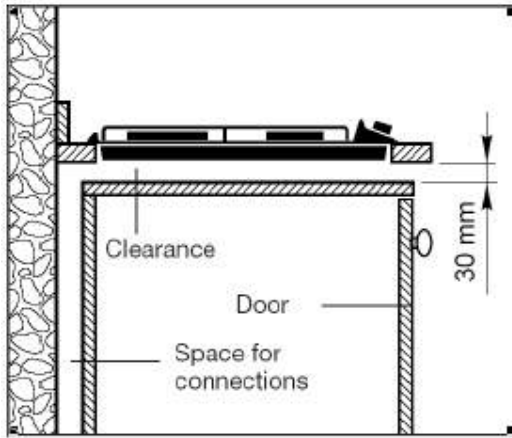
- This built-in hob is to be inserted into a cut out of a worktop. It will be electrically connected with the switch box below counter level, especially provided for this purpose.

Installation and operation - in conformity with these instructions - according to the Appliances Safety Law and The Applicable Regulations in force in the area the hob is to be installed.

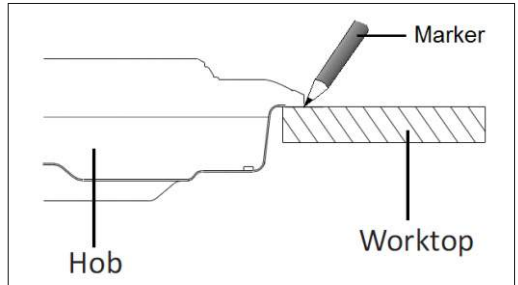
Cut an opening with the dimensions shown in the picture bellow.



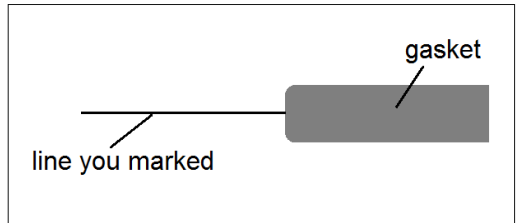
The Hob is supplied with is special seal in order to avoid any liquid ingress in the work top. Cut out and opening in the top of your kitchen unit that corresponds to the measurements given in the picture. Apply the self adhesive seal to all edges of the opening and carefully fit the hob into the opening and such a way that the knobs will be on the front side. Secure by tightening the clamps as in the picture.



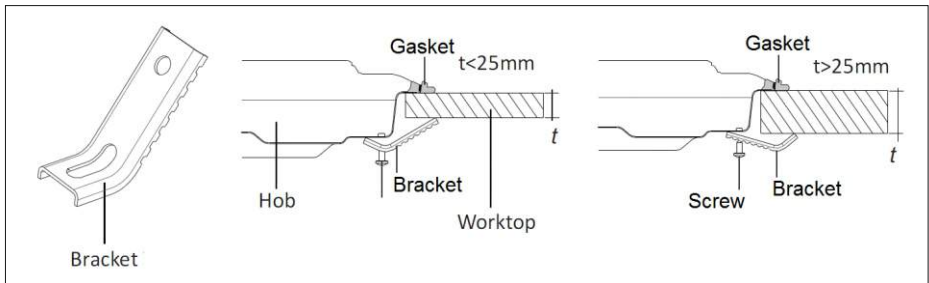
- Place the hob in the cut out. Then mark the location of the hob on the cooktop with a marker.



- Take out the hob. Place the gasket on the line you marked. Be sure the line centres the gasket. Be sure the junctions overlap at the corners and no gap is left along the sealing material.



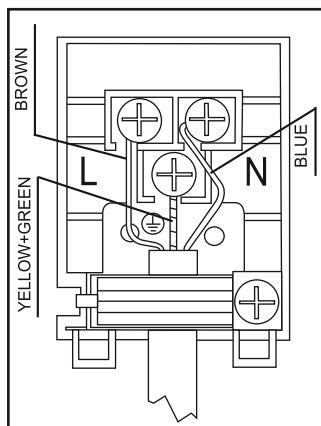
- Place the hob carefully on the worktop, be sure the edges of the cooktop centres the gasket. Fix in position via the brackets and screws. Adjust the position of the brackets depending on the thickness of the worktop as indicated in Figure and tighten the screws starting from the front bottom edge.



- Carefully trim away the excess gasket from around the appliance.

Before proceeding with the electrical connection verify that:

- The current carrying capacity of the system and the socket is adequate for the maximum power rating of the hob.
- The voltage indicated on the rating label is the same as the supply voltage.
- Do not use for connection any reductions, adapters or shunts because they may cause overheating.
- Electrical connection of a built-in hob to an electric source is done with a cable situated on the bottom of the built-in hob. Electrical installation of the residence and the electric current socket must be earthed and conform with safety regulations. The manufacturer declines responsibility should the appliance be installed without the above mentioned conditions.
- The appliance can either be for fixed connection or be with supply cord.
- The connection of the appliance to an electrical source must be done by an qualified technician (Connecting diagram given below).
- A circuit breaker with a contact opening of at least 3 mm, rated 20A and delayed functioning type must be installed inside the supply circuit.
- Cooking hobs not provided with supply cord.



Usage of Your Hotplates

There are 2 Types hotplates exist

- Standart hotplate
- Rapid hotplate (which are distinguished by their red mark)

These hotplates are controlled by a 6 position switch.

By switching the control knob to one of these positions the hotplates can be operating. Below each button, there is a small diagram that shows which hotplate is controlled with that button. A signal light located on the control panel shows if any of the hotplates are in use.

HOTPLATES - FUNCTIONS

0 off position

1 To melt bitter etc. and to warm smal quantities of liquid

2 To warm bigger quantities of liquid.To prepare creams and sauces

3 To defrost food for cooking

4 To cook delicate meat and fish

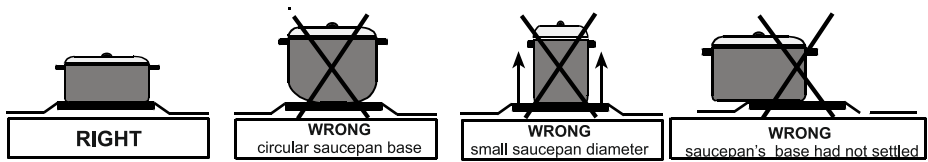
5 To roast meat and steak

6 To boil big quantities of liquid for frying

WARNING

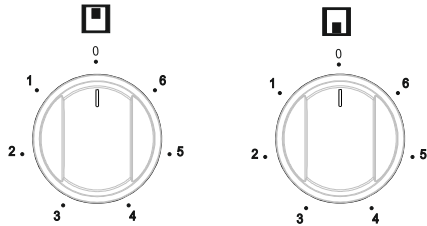
When the operating for the first time or whenever the hotplate has not been used for prolonged of time it is necessary to eliminate any humidity which may have accumulated around the electrical elements of the plate by operating the hotplate on its lowest setting for about 20 minutes.

- Use only flat pans and with a sufficiently thick base.
- Never use pans with a smaller diameter than of the hotplate.
- Ensure that the base of the pan is dry before placing it on the hotplate. While the hotplate is in operation it is important to ensure that the pan is centred correctly above the hotplate.



- Never operate the hob without pans on the hotplates.
- The temperature of accessible parts maybe high when the appliance is operating. So it is imperative to keep children and animals out of the reach of the hotplate during and after the operation.
- If you note a crack on the hotplate it must be immediately switched off and replaced.
- To ensure long life, the hotplate must be throughly cleaned with appropriate cleaning products. To avoid rustiness and to keep them new it is recommended to rub the hotplates lightly with tissue with a small amount of oil. Do not use a steam cleaner.
- After use, the hotplates remain very hot for a prolonged of time, do not touch them and to not place any object on top of the hotplate.

The appliance is operated by using control knobs shown below.



The cooker is designed for operating at 6 heat levels:

- 1 Keeping warm position
- 2-3 Heating position at low heat
- 4-5-6 Cooking and boiling position

Before cleaning switch the appliance off and allow to fully cool down.

Enamelled parts:

In order to keep to hob looking new, it is necessary to clean it frequently with mildy warm soapy water and then dry with a soft tissue. Do wash the hob while hot and never use abrasive powders or abrasive cleaning materials. Do not leave vinegar, coffee, milk, salt, water, lemon or tomato juice to remain in contact with enamelled parts for long periods of time. As they will become difficult to remove.

Stainless steel:

Stainless steel parts must be cleaned frequently with mildy warm soapy water and a soft sponge and then dry with a soft cloth. Do not use abrasive powders or abrasive clening materials. Do not leave vinegar coffee, milk, salt, water, lemon or tomato juice to remain in contact with stainless steel parts for long periods of time. As they will become diffucult to remove.



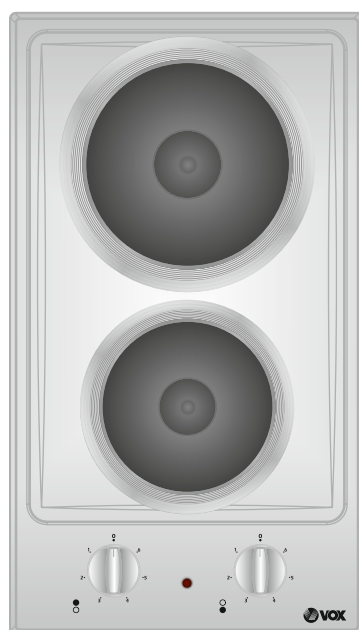
The symbol on the product or on its packaging indicates that this product may not be treated as household waste. Instead it shall be handed over to the applicable collection point for the recycling of electrical and electronic equipment. By ensuring this product is disposed of correctly, you will help prevent potential negative consequences for the environment and human health, which could otherwise be caused by inappropriate waste handling of this product. For more detailed information about recycling of this product, please contact your local city office, your household waste disposal service or the shop where you purchased the product.

SRB



EBX200EIX

**UPUTSTVA ZA RUKOVANJE I INSTALACIJU
DOMINO UGRADNE ELEKTRIČNE PLOČE ZA
KUVANJE**



SADRŽAJ

- 1.OPIS PLOČE ZA KUVANJE**
- 2.BEZBEDNOSNA UPUTSTVA**
- 3.INSTALACIJA**
- 4.UPOTREBA**
- 5.ODRŽAVANJE I BRIGA**

Poštovani kupci,

Hvala što ste kupili ovu ploču za kuvanje. Bezbednosne mere predostrožnosti u ovim uputstvima za cilj imaju vašu i tuđu bezbednost. One takođe omogućavaju potpuno iskorišćenje funkcija koje uređaj nudi.

Držite ovu knjižicu na sigurnom mestu. Može biti od koristi u budućnosti, za vas ili druge osobe u slučaju nedoumice u vezi sa rukovanjem uređajem.

Ovaj aparat sme da se koristi samo za predviđenu namenu, to jest, za pripremu hrane u domaćinstvu. Svaka druga upotreba se smatra nepravilnom i stoga je opasna.

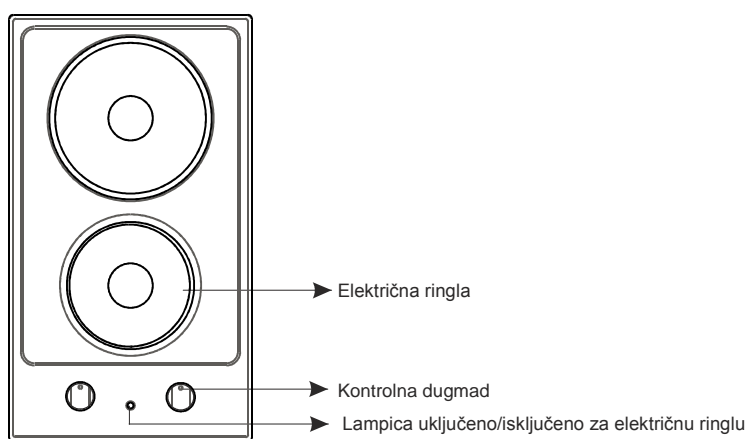
Proizvođač odbija svaku odgovornost u slučaju oštećenja usled nepravilne ili neispravne upotrebe uređaja.

CE izjava o usklađenosti

- Ploča za kuvanje je projektovana za korišćenje samo u svrhe kuvanja. Svaka druga upotreba (kao što je zagrevanje prostorije) je nepravilna i opasna.
- Ploča za kuvanje je projektovana, konstruisana i prodaje se u skladu sa:
 - Bezbednosnim propisima direktive za uređaje sa niskim naponom 2006/95/EC;
 - Bezbednosnim propisima direktive EMC 89/336/EC;
 - Zahtevima direktive 93/68/EC.



ELEKTRIČNA PLOČA ZA KIVANJE

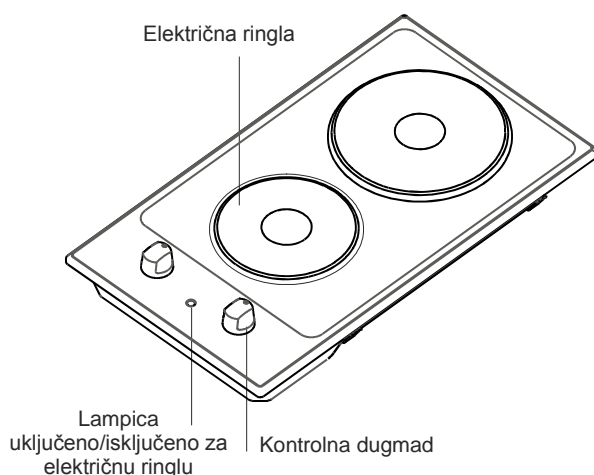


Nominalni napon: 230 V
Frekvencija: 50/60 Hz

PRE NEGO ŠTO KORISTITE PRVI PUT

Molimo vas da pažljivo pročitate uputstva pre ugradnje i upotrebe uređaja.

Kada otpakujete uređaj, proverite da li nije oštećen. U slučaju nedoumice, nemojte da koristite uređaj i kontaktirajte dobavljača ili kvalifikovanog inženjera. Uklonite pakovanje i nemojte da ostavljate materijal pakovanja (plastične kese, polistiren, trake itd.) u domašaju dece jer mogu da izazovu teške povrede. Materijal pakovanja se može reciklirati. Uređaj treba da instalira i poveže sa električnom instalacijom isključivo kvalifikovani inženjer u skladu sa važećim lokalnim propisima i u skladu sa uputstvima proizvođača. Nemojte da pokušavate da menjate tehnička svojstva uređaja, jer on može postati opasan za upotrebu



Napomena: Izgled vaše ploče za kuvanje se može razlikovati od modela prikazanog iznad zbog promena u proizvodnji.

Uređaj je projektovan isključivo za upotrebu u domaćinstvu. Uređaj NIJE pogodan za upotrebu u polu-komercijalnom, komercijalnom ili zajedničkom okruženju. Mora se koristiti isključivo za zagrevanje i kuvanje hrane. Sve druge primene, na primer za zagrevanje prostorije ili drugih površina, kao i rukovanje bez posuda je zabranjeno. Upotreba u svrhe koje nisu predviđene je opasno, dovodi do poništavanja garancije i sva odgovornost pada na korisnika.

PAŽLJIVO I U POTPUNOSTI PROČITAJTE OVA UPUTSTVA PRE KORIŠĆENJA UREĐAJA I SAČUVAJTE IH NA PRISTUPAČNOM MESTU ZA UPOTREBU PO POTREBI.

OVAJ PRIRUČNIK JE PRIREDEN ZA VIŠE MODELA UREĐAJA. VAŠ UREĐAJ MOŽDA NEĆE IMATI SVE FUNKCIJE KOJE SU OPISANE U OVOM PRIRUČNIKU. OBRATITE PAŽNJU NA OBJAŠNJENJA SA SLIKAMA DOK ČITATE UPUTSTVO ZA KORIŠĆENJE.

Opšta bezbednosna upozorenja

- Ovaj uređaj mogu koristiti deca starija od 8 godina i osobe sa smanjenim fizičkim, senzornim ili mentalnim sposobnostima ili kojima nedostaju iskustvo i znanje, ako su pod nadzorom ili su dobili uputstva u vezi sa bezbednom upotrebom uređaja i razumeju uključene opasnosti. Deca se ne smeju igrati sa uređajem. Deca ne smeju čistiti ili održavati uređaj bez nadzora.
- UPOZORENJE: Uređaj i njegovi pristupačni delovi se zagrevaju tokom upotrebe. Budite pažljivi da biste izbegli dodirivanje vrućih elemenata. Decu mlađu od 8 godina treba udaljiti osim u slučaju da ih neprekidno nadgledate.
- UPOZORENJE: Kuvanje na ringli sa zagrejanom masti ili uljem može biti opasno i dovesti do požara. NIKADA ne pokušavajte da gasite vatru vodom, već isključite uređaj, a zatim pokrijte plamen tj., pokrijte ga poklopcem ili protivpožarnim ćebetom.
- UPOZORENJE: Opasnost od požara: nemojte držati predmete na površinama za kuvanje.

-
- **UPOZORENJE:** Ako je površina naprsla, isključite uređaj da biste izbegli mogućnost električnog udara.
 - Kod ploča za kuvanje sa poklopcem, potrebno je ukloniti prolivenu tečnost sa poklopca pre otvaranja. Takođe je potrebno ostaviti ploču za kuvanje da se ohladi pre zatvaranja poklopca.
 - Ovaj aparat nije predviđen da se upravlja putem eksternog tajmera ili posebnog sistema daljinskog upravljača.
 - Ne koristite abrazivna sredstva za čišćenje ili tvrde metalne strugače za čišćenje stakla na vratima rerne i drugih površina jer mogu izgubiti površinu, što može dovesti do razbijanja stakla i oštećenja površine.
 - Ne koristite paročištače za čišćenje ovog uređaja.

- Vaš uređaj je proizveden u skladu sa svim primenljivim lokalnim i međunarodnim standardima i propisima.

- Radove na održavanju i opravci moraju da vrše ovlašćeni serviseri. Instalacija i popravka koje obavljaju neovlašćeni tehničari predstavljaju bezbednost po vas. Opasno je menjati specifikacije proizvoda na bilo koji način.

- Pre instalacije, proverite da li su lokalni uslovi distribucije (pritisak gasa ili napon i frekvencija) i zahtevi uređaja kompatibilni. Zahtevi za ovaj uređaj su navedeni na etiketi.

- **OPREZ:** Ovaj uređaj je projektovan isključivo za pripremu hrane i namenjen je za korišćenje u domaćinstvu i ne treba ga koristiti u druge primene, kao što je upotreba van domaćinstva ili u komercijalnom okruženju ili za zagrevanje prostorije.

- Sve moguće mere bezbednosti su preduzete kako bi se osigurala vaša bezbednost. S obzirom na to da staklo može pući, treba da budete oprezni prilikom čišćenja da biste izbegli guljenje. Izbegavajte udaranje stakla dodacima.

- Postarajte se da kabl za napajanje ne bude presavijen tokom instalacije. Ako se kabl za napajanje ošteti, proizvođač, njegovo servisno osoblje ili slične kvalifikovane osobe treba da zamene utikač da bi se sprečila opasnost.

Upozorenja kod instalacije

- Nemojte da koristite uređaj pre nego što on bude u potpunosti instaliran.
- Ovaj uređaj mora da instalira i pusti u rad ovlašćeni serviser. Proizvođač nije odgovoran za bilo kakve štete nastale zbog pogrešnog postavljanja i instalacije od strane neovlašćenih osoba.
- Kada otpakujete uređaj, proverite da li nije oštećen tokom transporta. U slučaju nekog nedostatka, nemojte da koristite uređaj i odmah kontaktirajte kvalifikovanog servisera. S obzirom na to da materijali koji se koriste za pakovanje (najlon, spajalice, pena itd.) mogu da budu štetni po deci, treba ih sakupiti i odmah ukloniti.
- Zaštitite uređaj od atmosferskih uticaja. Ne izlažite ga suncu, kiši, snegu itd.
- Materijali oko uređaja (elementi) moraju da budu u stanju da izdrže temperaturu od minimalno 100 °C.
- Temperatura donje površine ploče za kuvanje se može povećati tokom rada. Stoga, ispod proizvoda je potrebno instalirati ploču.

Tokom upotrebe

- Nemojte da stavljate zapaljive materijale u blizini uređaja dok radi.
- Ne napuštajte šporet dok kuvate na masti ili ulju. Oni se mogu zapaliti u uslovima visoke toplote. Nikada nemojte da sipate vodu na plamen koji je izazvan paljenjem ulja. Poklopcem poklopite tiganj ili šerpu radi gašenja nastale vatre i isključite šporet.
- Uvek postavite šerpe na centar zone za kuvanje i okrenite drške u bezbedni položaj tak o da se ne mogu oboriti ili uhvatiti.
- Ako uređaj nećete koristiti tokom dužeg vremena, isključite ga. Isključite glavnu kontrolu. Takođe, kada ne koristite uređaj, isključite ventil za gas.
- Postarajte se da kontrolna dugmad uređaja uvek budu u položaju „0“ (stop) kada se ne koristi.

Tokom čišćenja i održavanja

- Uvek isključite uređaj pre radnji kao što su čišćenje ili održavanje. To možete da radite nakon isključivanja uređaja ili isključivanja glavnih prekidača.
- Ne uklanjajte komandnu dugmad radi čišćenja komandne table.

DA BISTE ODRŽALI EFIKASNOST I BEZBEDNOST UREĐAJA, PREPORUČUJEMO VAM DA UVEK KORISTITE ORIGINALNE REZERVNE DELOVE I ZOVETE SAMO OVLAŠĆENE SERVISERE, AKO JE POTREBNO.

· Ako je električni kabl oštećen, mora da ga zameni proizvođač, njegov serviser ili slično kvalifikovano lice kako bi se izbegla opasnost od strujnog udara.

Povezivanje napajanja za ovu grejnu ploču treba da obavi ovlašćeni serviser ili kvalifikovani električar, u skladu sa uputstvima u ovom priručniku i u skladu sa važećim propisima.

- Pre instalacije, proverite da li su napajanje i uređaj kompatibilni.
- Potrebno je poštovati zakone, propise, direktivne i standarde na snazi u državi korišćenja (bezbednosni propisi, pravilna reciklaža u skladu sa propisima itd.).

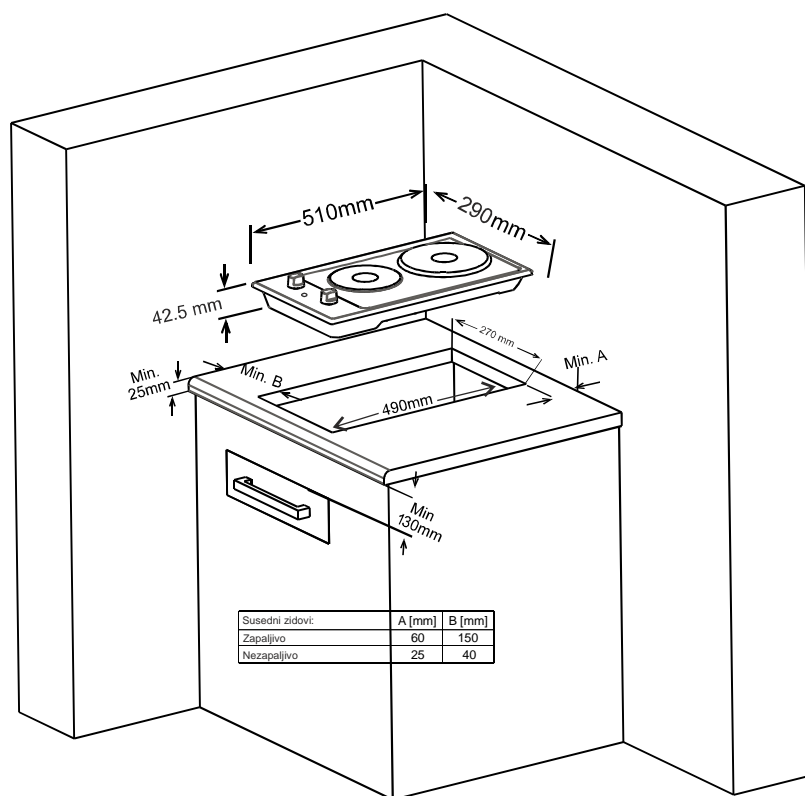
Postavljanje ugradne ploče za kuvanje

Nakon uklanjanja pakovanja sa uređaja i dodataka, proverite da li grejna ploča nije oštećena. Ako sumnjate na oštećenje, nemojte da koristite uređaj i kontaktirajte radnju u kojoj ste kupili grejnu ploču.

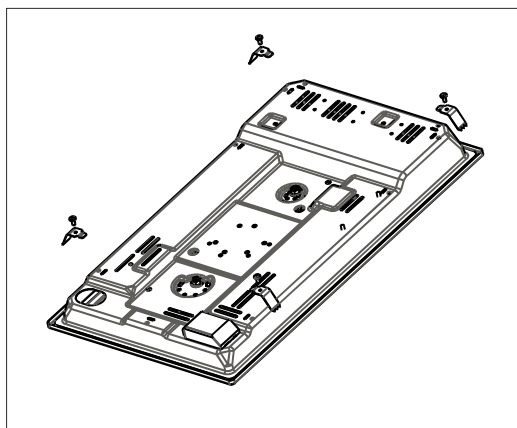
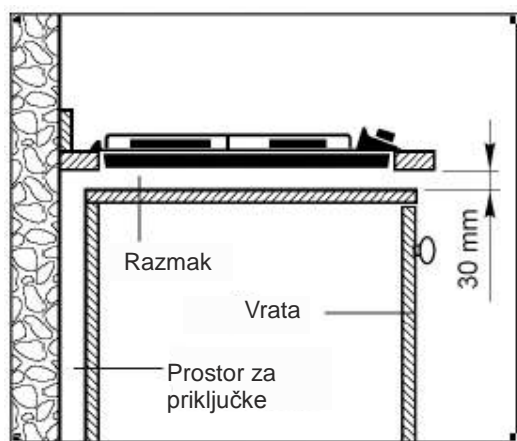
- Ovo je ugradna ploča koju treba ubaciti u otvor na radnoj ploči. Električno povezivanje treba obaviti ispod nivoa ploče, sa prekidačima posebno namenjenim za ovu svrhu.

Instalacija i rukovanje – u skladu sa ovim uputstvima – u skladu sa zakonom o bezbednosti uređaja i važećim propisima u regionu gde ploču za kuvanje treba instalirati.

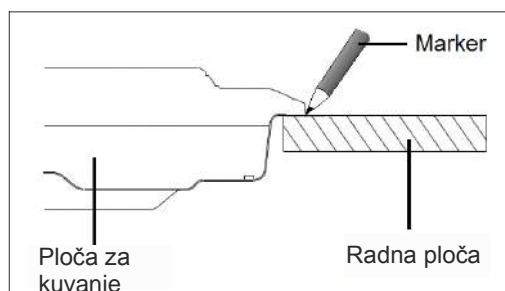
Isecite otvor sa dimenzijama koje su prikazane na slici u nastavku.



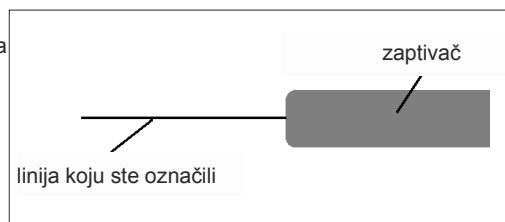
Ploča za kuvanje se isporučuje sa posebnim zaptivačem kako bi se sprečio ulazak tečnosti preko gornje površine. Isecite otvor na vrhu kuhinjskog elementa koji odgovara merama datim na slici. Postavite adhezivni zaptivač na sve ivice otvora i pažljivo postavite ploču za kuvanje u otvor tako da se dugmad nalaze na prednjoj strani. Pričvrstite je koristeći stege kao što je prikazano na slici.



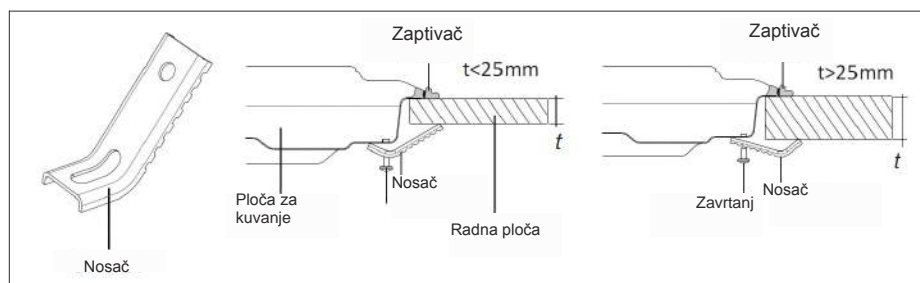
- Postavite ploču za kuvanje u usek. Zatim označite lokaciju ploče za kuvanje na šporetu markerom.



- Izvadite ploču za kuvanje. Postavite zaptivač na liniju koju ste označili. Postarajte se da linija bude na centru zaptivača. Postarajte se da se spojevi preklapaju na uglovima i da nema zazora između materijala za zaptivanje.



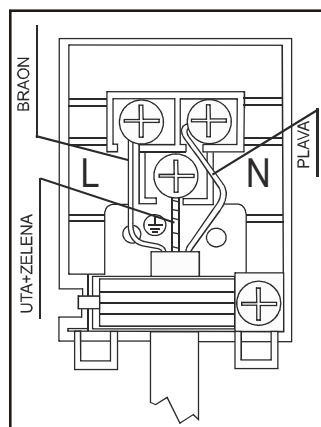
- Postavite ploču za kuvanje pažljivo na radnu površinu i postarajte se da ivice ploče budu na centru zaptivača. Pričvrstite je koristeći nosače i zavrtnje. Podesite položaj nosača u zavisnosti od debljine radne ploče kao što je označeno na slici i zategnite zavrtnje počevši od prednje donje ivice.



- Pažljivo skratite višak zaptivača oko uređaja.

Pre nego što nastavite sa povezivanjem na električnu instalaciju, proverite sledeće:

- Jačina struje sistema i utičnice je adekvatna u pogledu maksimalne snage ploče za kuvanje.
- Napon naznačen na pločici sa podacima je isti kao i napon napajanja.
- Za povezivanje nemojte da koristite nikakve reduktore, adaptere ili produžne kablove jer mogu dovesti do pregrevanja.
- Povezivanje ugradne ploče za kuvanje sa električnom instalacijom se obavlja koristeći kabl koji se nalazi na dnu ugradne ploče za kuvanje. Električna instalacija u stanu i električna utičnica moraju da budu uzemljeni i u skladu sa bezbednosnim propisima. Proizvođač odbija odgovornost ako se uređaj instalira, a da gorenavedeni uslovi nisu zadovoljeni.
- Uređaj se može povezati fiksnom vezom ili pomoću kabla za napajanje.
- Povezivanje uređaja na električno napajanje mora da obavi kvalifikovani tehničar (dijagram za povezivanje je dat u nastavku).
- U kolu je potrebno instalirati prekidač sa otvorom kontakta od najmanje 3 mm, jačine 20 A sa kašnjenjem.
- Ploče za kuvanje se ne isporučuju sa kablom za napajanje.



Potreba ringli

Postoje 2 vrste ringli

- Standardna ringla
- Brza ringla (razlikuju se na osnovu crvene oznake)

Ove ringle se kontrolišu pomoću prekidača sa 6 položaja.

Ringlama se rukuje okretanjem kontrolnog dugmeta na jedan od ovih položaja. Ispod svakog dugmeta, nalazi se mali dijagram koji pokazuje koju ringlu kontroliše određeno dugme. Signalna lampica koja se nalazi na kontrolnoj tabli naznačava da li je neka od ringli u upotrebi.

RINGLE – FUNKCIJE

0 položaj za isključivanje

1 Za opljenje putera itd. i za zagrevanje male količine tečnosti

2 Za zagrevanje veće količine tečnosti. Za pripremu kremova i soseva

3 Za odmrzavanje hrane za kuvanje

4 Za kuvanje delikatnog mesa i ribe

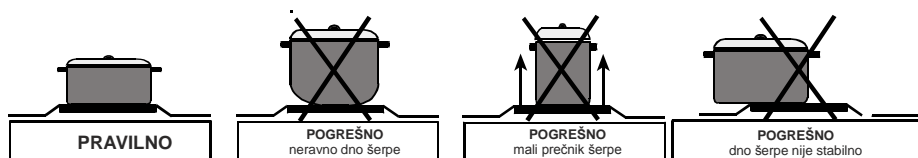
5 Za pečenje mesa i odreska

6 Za ključanje velikih količina tečnosti za prženje

UPOZORENJE

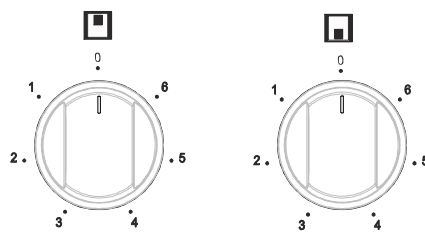
Prilikom prvog rukovanja ili kada god se ringla ne koristi duži period, potrebno je da eliminišete vlagu koja se možda nakupila oko električnih elemenata ploče tako ćete ringlu uključiti na najnižem podešavanju tokom 20 minuta.

- Koristite isključivo ravne šerpe sa dnom dovoljne debljine.
- Nikada nemojte da koristite šerpe manjeg prečnika od prečnika ringle.
- Postarajte se da dno šerpe bude suvo pre postavljanja na ringlu. Dok ringla radi, važno je da šerpa bude centrirana ispravno na ringli.



- Nikada nemojte da rukujete pločomza kovanje bez šepi na ringlama.
- Temperatura pristupačnih delova može biti viša dok je uređaj u radu. Od najveće važnosti je da decu i životinje držite van domašaja ringle tokom i nakon rada.
- Ako primetite narpšlinu na ringli, morate odmah da je isključite i zamenite.
- Da biste osgurali dug radni vek, ringlu treba temeljno čistiti odgovarajućim sredstvima za čišćenje. Da biste izbegli pojavu rđe i da biste zadržali izgled novog uređaja, preporučuje se da ringle trljate blago krpom i malom količinom ulja. Nemojte da koristite paročistač.
- Nakon korišćenja, ringle ostju veoma vruće duži period; nemojte da ih dodirujete i nemojte da stavljate nijedan predmet na ringlu.

Uređajem se upravlja koristeći kontrolnu dugmad koja su prikazana u nastavku.



Šporet je projektovan tako da ima 6 nivoa toplote:

- 1 Položaj za održavanje toplote
- 2-3 Položaj za zagrijavanje uz nisku toplotu
- 4-5-6 Položaj za kuvanje i ključanje


Pre čišćenja, isključite uređaj i ostavite ga da se u potpunosti ohladi.

Emajlirani delovi:

Da bi vaša ploča za kuvanje izgledala kao nova, potrebno je da je redovno čistite mlakom sapunjavom vodom, a zatim osušite mekom krpom. Nemojte da perete ploču za kuvanje dok je vruća i nikada nemojte da koristite abrazivne praškove ili abrazivne materijale za čišćenje. Nemojte da ostavljate sirće, kafu, mleko, so, vodi, sok od limuna ili paradajza u dodiru sa emajliranim delovima tokom dužeg perioda. U suprotnom, biće teško ukloniti ih.

Nerđajući čelik

Delovi od nerđajućeg čelika se moraju čistiti redovno mlakom sapunjavom vodom i mekim sunđerom, a zatim osušiti mekom krpom. Nemojte da koristite abrazivne praškove ili abrazivne materijale za čišćenje. Nemojte da ostavljate sirće, kafu, mleko, so, vodi, sok od limuna ili paradajza u dodiru sa delovima od nerđajućeg čelika tokom dužeg perioda. U suprotnom, biće teško ukloniti ih.

Marka		
Model		EBX200EIX
Tip ploče za kuvanje		Električna
Broj zona za kuvanje		2
Tehnologija grejanja 1		Ringla
Veličina 1	cm	Ø14,5
Potrošnja energije 1	Wh/kg	193,0
Tehnologija grejanja 2		Ringla
Veličina 2	cm	Ø18,0
Potrošnja energije 2	Wh/kg	194,0
Potrošnja energije kod ploče za kuvanje	Wh/kg	193,5
Ova ploča za kuvanje je u skladu sa EN 60350-2		

Saveti za uštedu energije

Ploča za kuvanje

- Koristite posuđe za kuvanje sa ravnim dnom.
- Koristite posuđe za kuvanje odgovarajućih dimenzija.
- Koristite posuđe za kuvanje sa poklopcem.
- Smanjite količinu tečnosti ili masti.
- Kada tečnost počne da ključa, smanjite temperaturu.



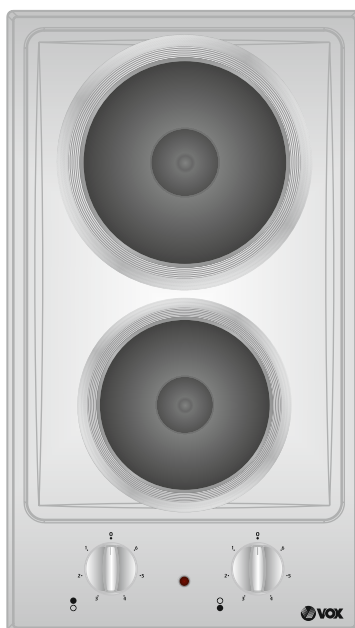
Simbol na ovom proizvodu ili na njegovom pakovanju ukazuje na to da se ovaj proizvod ne može smatrati kućnim otpadom. Umesto toga, treba da se preda na sabirno mesto za reciklažu električne i elektronske opreme. Pravilnim odlaganjem ovog proizvoda pomažete u sprečavanju mogućih negativnih posledica po okolinu i zdravlje ljudi, do kojih bi došlo usled neodgovarajuće obrade ovog proizvoda. Detaljnije informacije o reciklaži ovog proizvoda potražite u opštini, komunalnoj službi ili u prodavnici u kojoj ste kupili proizvod.

MKD



EBX200EIX

**РАКУВАЊЕ И УПАТСТВО ЗА МОНТАЖА НА
ВГРАДЕНАТА ЕЛЕКТРИЧНА ПЛОЧА СО ДВЕ
РЕРНИ**



СОДРЖИНА

- 1. ОПИС НА ПЛОЧАТА**
- 2. БЕЗБЕДНОСНИ УПАТСТВА**
- 3. ИНСТАЛАЦИЈА**
- 4. УПОТРЕБА**
- 5. ОДРЖУВАЊЕ И ГРИЖА**

Почитуван потрошувачу,

Ви благодариме што ја купивте оваа плоча за готвење. Безбедносните мерки и препораките во ова упатство се за ваша лична безбедност и за безбедноста на другите. Така ќе овозможите целосна употреба на одликите што ги нуди овој производ.

Чувајте го ова упатство на безбедно место. Ќе ви користи вам или на другите во иднина ако се двоумите за употребата.

Овој уред може да се користи само за наменетата цел, за готвење храна во домашни услови. Секоја друга употреба се смета за несоодветна и затоа опасна.

Производителот ја отфрла целата одговорност во случај на оштетување предизвикано со несоодветна или неправилна употреба на производот.

Декларација за усогласеност на ЕУ

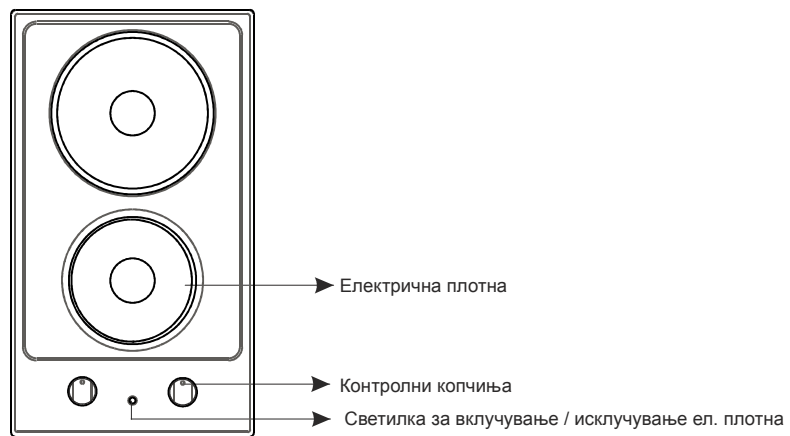
- Оваа плоча за готвење е дизајнирана да се користи само за готвење. Секоја друга употреба (како што е загревање на просторија) не се соодветна и е опасна.
- Оваа плоча за готвење е дизајнирана, конструирана и означена во согласност со:

Z

- Безбедносни побарувања за „низок напон“, директива 2006/95/ЕС;
- Безбедносни побарувања за „ЕМС“, директива 89/336/ЕС;
- Побарувања според директивата 93/68/ЕС.



ЕЛЕКТРИЧНА ПЛОЧА



Номинаран напон: 230V
Номинарана фреквенција: 50/60 Hz

ПРЕД УПОТРЕБА ЗА ПРВПАТ

Внимателно прочитајте го упатството пред да го поставите и користите апаратот.

Уверете се дека производот не е оштетен откако ќе го распакувате. Ако се сомневате, не користете го производот и контактирајте со продавачот или со квалификувано лице. Извадете го целото пакување и не оставајте го материјалот од пакувањето (пластични кеси, полистирен, ленти и сл.) на дофат на децата бидејќи може сериозно да се повредат. Материјалите за пакување се рециклираат. Производот треба да го постави и сите поврзувања да ги направи квалификуван инженер во согласност со локалните одредби во сила и следејќи ги упатствата на производителот. Не обидувајте се да ги менувате техничките спецификации на производот. Тогаш, тој е опасен за употреба.



Забелешка: Изгледот на плочата може да се разликува од гореприкажаниот модел заради промени во производството.

Овој производ е наменет само за домашна употреба. Производот НЕ Е соодветен да се користи во делумно комерцијална, комерцијална или комунална средина. Овој уред може да се користи само за греење или готвење храна. Секоја друга употреба, како на пр. за греење простории или други површини, како и вклучување без сад за готвење се забранети. Ако се користи така, тоа може да биде опасно и да ја поништи гаранцијата и целата одговорност ќе биде на корисникот.

ПРОЧИТАЈТЕ ГИ ОВИЕ УПАТСТВА ВНИМАТЕЛНО И ТЕМЕЛНО ПРЕД ДА ГО КОРИСТИТЕ ПРОИЗВОДОТ. ЧУВАЈТЕ ГИ НА СООДВЕТНО МЕСТО ЗА ДА ГИ ПРОЧИТАТЕ АКО Е ПОТРЕБНО.

ОВА УПАТСТВО СЕ ОДНЕСУВА НА ПОВЕЌЕ СЛИЧНИ МОДЕЛИ. ВАШИОТ ПРОИЗВОД НЕМА ДА СОДРЖИ ДЕЛ ОД ОДЛИКИТЕ ШТО СЕ ОБЈАСНУВААТ ВО ОВА УПАТСТВО. ОБРНЕТЕ ВНИМАНИЕ НА ИЗРАЗИТЕ СО СЛИКИ ДОДЕКА ГО ЧИТАТЕ УПАТСТВОТО.

Општи безбедносни предупредувања

- Овој апарат може да го користат деца на и над возраст од 8 години, и лица со намалена физичка, сетилна или ментална способност или со недостиг на искуство и познавање ако се под надзор и се упатени за користење на апаратот на безбеден начин, и ги разбираат потенцијалните опасности. Децата не смее да си играат со машината. Децата коишто не се под надзор не смее да ја чистат или да работат на одржување на машината.
- ПРЕДУПРЕДУВАЊЕ: Уредот и достапните делови стануваат врели во текот на употребата. Треба да внимавате децата да не ги допираат врелите елементи. Децата помали од 8 години треба да се држат настрана освен ако не сте под надзор.
- ПРЕДУПРЕДУВАЊЕ: Готвење на плотна со маст или масло и без надзор може да биде опасно и да предизвика пожар. НИКОГАШ не обидувајте се да го изгаснете огнот со вода, туку исклучете го апаратот и потоа покријте го пламенот, на пр. со капак или противпожарно ќебе.
- ПРЕДУПРЕДУВАЊЕ: Опасност од пожар: не ставајте предмети на површините за готвење.

-
- ПРЕДУПРЕДУВАЊЕ: Ако површината е напукната, исклучете го апаратот за да ја избегнете можноста од електричен удар.
 - За hobs инкорпорирање на капак, било spillage треба да се отстранат од капакот пред отворање. Понатаму, површината на плочата треба да се излади пред да го затворите капакот.
 - Уредот не е наменет да се контролира со надворешен тајмер или со засебен систем за далечинска контрола.
 - Не користете остри абразивни средства за чистење или остри метални сунѓери за чистење на стаклото од вратата на рерната и другите површини бидејќи може да ја изгребат површината или да предизвикаат пукање на стаклото или оштетување на површината.
 - Не користете чистачи на пареа за чистење на производот.

- Производот е произведен во согласност со сите применливи локални стандарди и одредби.

- Работата за одржување и поправање мора да ги врши техничар од овластениот сервис. Поставувањето и поправките што ги прават неовластени техничари може да ве загрозат. Опасно е да ги менувате спецификациите на производот на кој било начин.

- Пред поставувањето, проверете дали локалните услови на дистрибуцијата (природата и притисокот на плинот или напонот на струјата и фреквенцијата) и побарувањата за производот се компатибилни. Побарувањата за овој апарат се дадени на етикетата.

- ВНИМАНИЕ: Овој апарат е дизајниран само за готвење храна и е наменет за употреба во домаќинство во затворен простор и не треба да се користи за каква било друга намена или употреба, како во комерцијална средина или за загревање простории.

- Сите можни безбедносни мерки се преземени за да ја обезбедите својата безбедност. Бидејќи стаклото може да се скрши, треба да бидете внимателни додека чистите за да избегнете гребење. Избегнувајте да го удирате или чукате стаклото со предмети.

- Проверете дали кабелот за напојување се скинал во текот на поставувањето. Ако кабелот за напојување е оштетен, треба да се замени кај производителот, соодветен сервисер кај лице со слични квалификации за да се спречи опасност.

Предупредувања за поставувањето

- Не вклучувајте го производот пред да го поставите.
- Овластен техничар мора да го постави производот и да го стави во употреба. Производителот не е одговорен за оштетувања што се предизвикани со погрешно поставување и инсталација од страна на неовластено лице.
- Проверете дали производот е оштетен во текот на транспортот. Во случај на дефект, не користете го производот и контактирајте со квалификуван техничар веднаш. Бидејќи материјалите за пакување (најлон, хевталки, стироформ и сл.) може да им наштетат на децата, истите треба да се соберат и фрлат веднаш.
- Заштитете го апаратот од какви било атмосферски влијанија. Не изложувајте го на сонце, дожд, снег, итн.
- Материјалот што е околу производот (елементот) мора да издржува температура од најмалку 100°C.
- Температурата од долната страна на плочата развива температура во текот на својата работа. Затоа, мора да се постави плоча под неа.

Во текот на употребата

- Не ставајте запаливи или експлозивни материји во или близу до производот кога тој работи.
- Не оддалечувајте се од шпоретот кога готвите со масло во тврда или течна состојба. Тие може да се запалат во услови на прегревање. Никогаш не истурајте вода на пламенот од масло. Покријте ги тенџерето или тавата со капак за да го задушите пламенот и исклучете го шпоретот.
- Секогаш поставувајте ги тавите во центарот на зоната за готвење и свртете ги рачките на безбедна положба за да не може да се турнат или зграпчат.
- Исклучете го производот ако нема да го користите подолго време. Главниот осигурувач треба да биде исклучен. Исклучете го вентилот за гас ако не го користите производот.
- Проверете дали копчињата за контрола се во позиција „0“ (исклучено) кога не се користи плочата.

Во текот на чистењето и одржувањето

- Секогаш исклучувајте го производот пред операции како што се чистење или одржување. Може да го направите тоа со исклучување на производот од струја или со исклучување на главните прекинувачи.
- Не вадете ги контролните копчиња за да го исчистите контролниот панел.

ЗА ДА СЕ ОДРЖИ ЕФИКАСНОСТА И БЕЗБЕДНОСТА НА ПРОИЗВОДОТ, ПРЕПОРАЧУВАМЕ СЕКОГАШ ДА КОРИСТИТЕ ОРИГИНАЛНИ РЕЗЕРВНИ ДЕЛОВИ И ДА ПОВИКУВАТЕ САМО ОВЛАСТЕН СЕРВИС КОГА КЕ ВИ ТРЕБА.

- Ако е оштетен кабелот за напојување, мора да се замени кај производителот, овластен сервис или кај лице со слични квалификации за да се избегне електрична опасност.

Електричното поврзување на оваа плоча треба да го изведе овластен сервисер или квалификуван електричар во согласност со упатствата во ова упатство и усогласено со тековните регулативи.

- Пред поставувањето, проверете дали локалните услови на дистрибуцијата и прилагодувањето на уредот се компатибилни.
- Законите, одредбите, директивите и стандардите кои се на сила во земјата на употреба треба да се почитуваат (безбедносни регулативи, правилно рециклирање во согласност со регулативите, итн.).

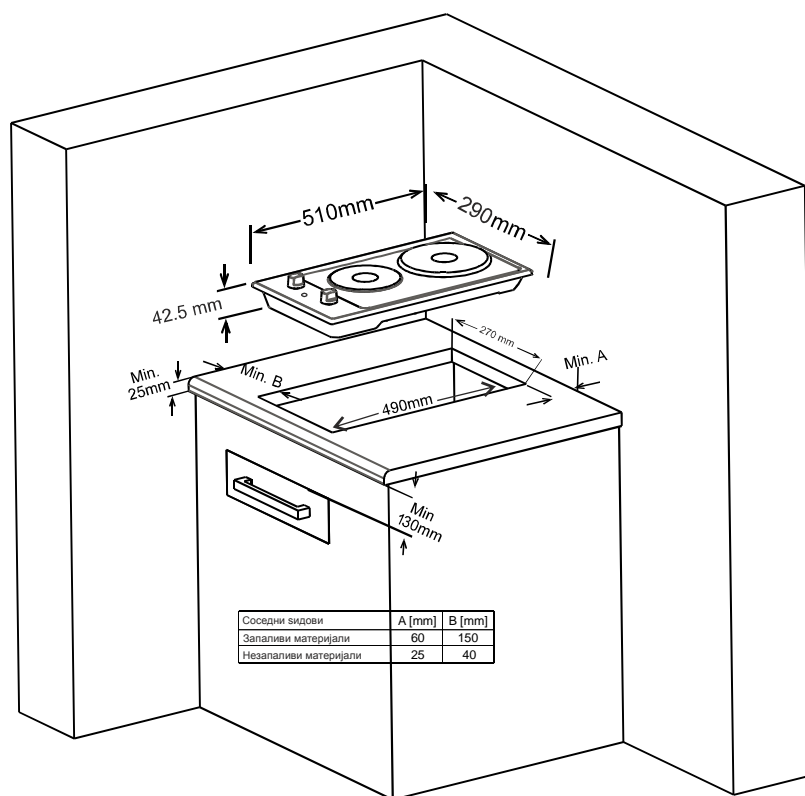
Сместување на плочата на вградување

Откако ќе го извадите материјалот за пакување од уредот и дополнителните делови, проверете дали е оштетена плочата. Ако се сомневате дека има каква било штета, не користете го уредот и контактирајте со продавницата каде што ја купивте оваа плоча.

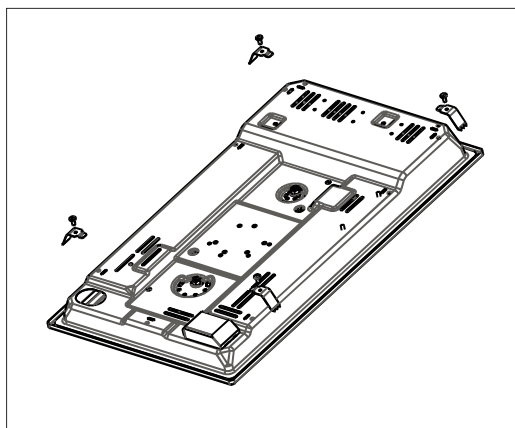
- Ова плоча за вградување треба да се вметне во исечен простор на горната површина на елементот. Ќе се поврзе со струјата преку кутијата со прекинувачи под работната плоча, специјално поставена за таа цел.

Поставување и работа - во согласност со овие упатства - согласно законот за безбедност на производите и применливите одредби во сила во регионот каде се поставува плочата.

Исечете отвор со димензии што се прикажани подолу на сликата.



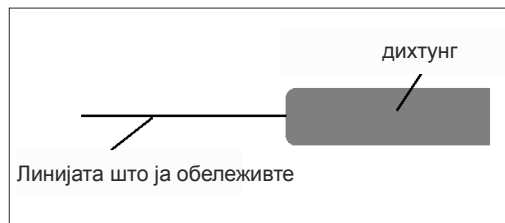
Оваа плоча е снабдена со специјална гума за да се спречи навлегување на течности во работниот дел. Исечете отвор во горниот дел на кујнскиот елемент кој ќе одговара со мерките што се дадени на сликата. Ставете самолеплива лента на сите рабови на отворот и внимателно поставете ја плочата во отворот со тоа што копчињата треба да однапред. Обезбедете со затегнување на стегите како што е прикажано на сликата.



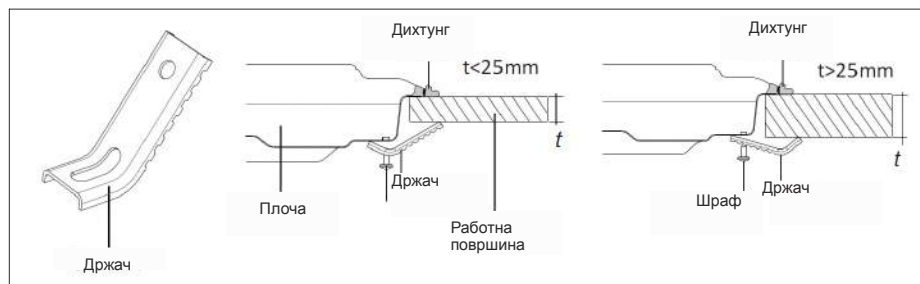
- Ставете ја плочата во исечениот дел. Потоа, обележете ја местоположбата на плочата за готвење со маркер.



- Извадете ја плочата. Поставете го дихтунгот на линијата што ја обележавте. Проверете дали линијата е порамнета со дихтунгот. Проверете дали споевите се преклопуваат на аглите и нема празен простор кај материјалот за лепење.



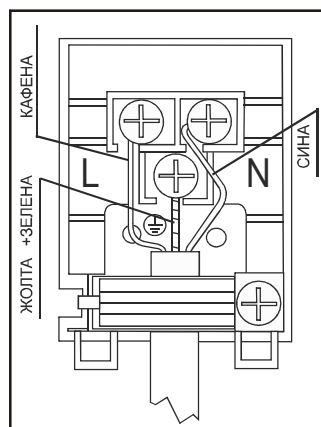
- Поставете ја плочата внимателно на работната површина и проверете дали рабовите се поклопуваат со дихтунгот. Фиксирајте ја на местото со држачите и шрафовите. Прилагодете ја позицијата на држачите во зависност од дебелината на работната површина како што е посочено на сликата и затегнете ги шрафовите започнувајќи од предниот раб долу.



- Внимателно отсечете го вишокот од дихтунгот околу плочата.

Пред да продолжите со електрично поврзување, проверете дали:

- Тековниот капацитет на системот за ел. напојување и приклучокот се соодветни за максималните номинални вредности на плочата.
- Посочениот напон на етикетата за капацитет е ист со напонот на доводот.
- Не користете редуктори, адаптери или притискачи за поврзувањето бидејќи може да предизвикаат прегрејување.
- Електричното поврзување на плочата за вградување во извор на напојување се изведува со кабел сместен долу на плочата. Електричната инсталација во домот и приклучокот за електрично напојување мора да бидат заземјени и усогласени со безбедносните регулативи. Производителот ја отфрла целата одговорност ако го поставите производот без да ги исполните горенаведените услови.
- Производот може да се напојува со преку фиксно поврзување или со кабел за напојување.
- Поврзувањето на производот мора да го направи квалификуван техничар (дијаграмот за поврзување е даден подолу).
- Мора да се постави прекинувач на колото со отвор за контакт од најмалку 3 мм, од 20А и со одложена функција во колото за напојување со ел. енергија.
- Плотните не се доставуваат со кабел за напојување.



Употреба на електричните плотни за готвење

Има 2 плотни

- Стандардна плотна
- Брза плотна за готвење (се разликува по црвената точка).

Овие рингли се контролираат со прекинувач во 6 позиции.

Плотните се вклучуваат ако го поместите контролното копче во една од овие позиции. Под секое копче има мал дијаграм што посочува која плотна ја контролира тоа копче. Сигнална светилка, сместена на контролниот панел посочува која плотна се користи.

ПЛОТНИ - ФУНКЦИИ

0 позиција за исклучено

1 За топење путер, итн. и за греење мали количества течност

2 За затоплување поголеми количества течност, за готвење кремове и сосови

3 За одмрзнување храна за готвење

4 За готвење деликатни меса и риба

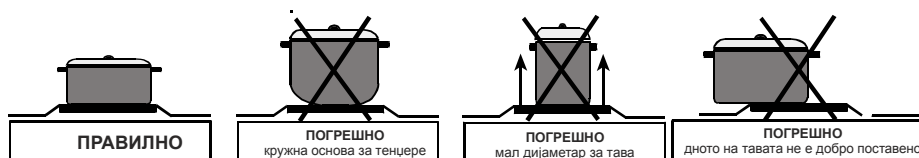
5 За пржење месо и стекови

6 За вриење големи количества течност и за пржење

ПРЕДУПРЕДУВАЊЕ

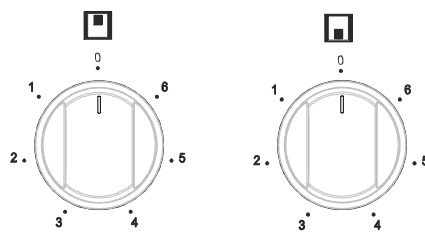
Кога вклучувате за првпат или секогаш кога плотната не била користена подолг период, треба време да се елиминира влажноста што се акумулирала околу електричните елементи на плотната и затоа оставете ја да работи на најмала позиција околу 20 минути.

- Користете само рамни садови за готвење со доволно дебело дно.
- Никогаш не користете садови со помал дијаметар од плотната.
- Проверете дали дното на садот е суво пред да го ставите на плотната. Додека плотната работи, важно е да го поставите садот за готвење во средина на плотната.



- Никогаш не вклучувајте ја плочата без тави на плотните.
- Температурата на достапните делови е висока кога производот работи. Затоа, задолжително држете ги децата и животните подалеку од дофат до плотните за време и по нивна работа.
- Ако забележите пукнатина на плотната, мора веднаш да ја исклучите и замените.
- Треба детално да ги чистите плотните со соодветни средства за чистење за да обезбедите долготрајност. Се препорачува лесно да ги затриете плотните со хартија малку натопена во масло за да избегнете 'рѓосување и да ги одржувате како нови. Не користете чистачи на пара.
- По употреба, плотната е врела подолг период. Не допирајте ја и не ставајте предмети врз неа.

Производот се вклучува преку контролните копчиња прикажани подолу.



Шпоретот е дизајниран за работа со 6 нивоа на греење:

- 1 Позиција за одржување топлина
- 2-3 Позиција за греење на ниска температура
- 4-5-6 Позиција за готвење и вриење

Исклучете го производот пред чистењето и оставете го да се излади.

Емајлирани делови:

За да изгледа плочата како нова, неопходно е да ја чистите често со топла вода и благ сапун и потоа да се исуши со мека хартија. Не мијте ја плочата додека е врела и не користете никогаш абразивни прашоци или абразивни средства за чистење. Не оставајте оцет, кафе, млеко, сол, вода, лимон или сок од домати да остане на емајлираните делови подолг период. Тешко се отстрануваат.

Не'рѓосувачки челик:

Деловите од не'рѓосувачки челик мора да се перат често со топла вода и благ сапун и мек сунѓер, а потоа да се исушат со мека крпа. Не користете абразивни прашоци или абразивни средства за чистење. Не оставајте оцет, кафе, млеко, сол, вода, лимон или сок од домати да остане на деловите од не'рѓосувачки челик подолг период. Тешко се отстрануваат.



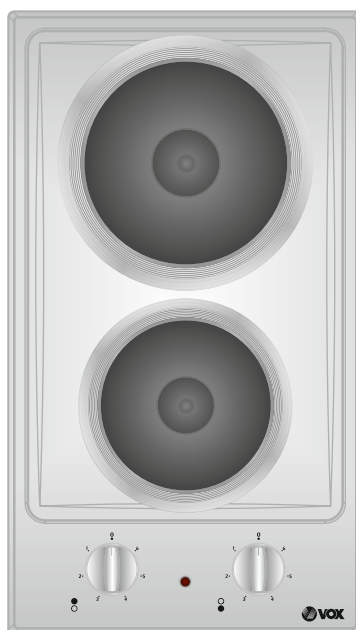
Симболот на производот и на пакувањето посочува дека овој производ не смее да се третира како секојдневен отпад. Наместо тоа, треба да се однесе во соодветен собирен центар за рециклирање на електрична и електронска опрема. Производот треба да се фрли правилно. На тој начин ќе спречите појава на потенцијални негативни последици за животната средина и здравјето на луѓето што се предизвикува со несоодветно ракување со отпад. За подетални информации околу рециклирање на овој производ, контактирајте ги локалните овластени институции, Службата за собирање отпад или продавницата каде што го купивте производот.

BIH/MNE



EBX200EIX

**UPUTSTVA ZA RUKOVANJE I UGRADNJU
DOMINO UGRADBENE ELEKTRIČNE PLOČE
ZA KUHANJE**



SADRŽAJ

- 1.OPIS PLOČE ZA KUHANJE
- 2.SIGURNOSNA UPUTSTVA
- 3.UGRADNJA
- 4.UPOTREBA
- 5.ODRŽAVANJE I NJEGA

Poštovani korisni ke,

Hvala Vam što ste kupili ovu ploču za kuhanje. Sigurnosne mjere predostrožnosti i preporuke u ovim uputstvima su navedene radi vaše sigurnosti i sigurnosti ostalih. Ona će takođe osigurati sredstva pomoću kojih ćete u potpunosti iskoristiti mogućnosti koje nudi vaš uređaj.

Molimo čuvajte ovu knjižicu na sigurnom mjestu. Može biti od koristi u budućnosti, bilo za vas ili za druge, u slučaju dvojbe u vezi s radom uređaja.

Ovaj uređaj se mora koristiti samo za ono za što je namijenjen, tj. za kuhanje hrane u domaćinstvu. Bilo koji drugi oblik upotrebe će se smatrati neprikladnim i stoga opasnim.

Proizvođač odbija svaku odgovornost u slučaju štete izazvane neprikladnom ili nepravilnom upotrebom uređaja.

CE Deklaracija o usklađenosti

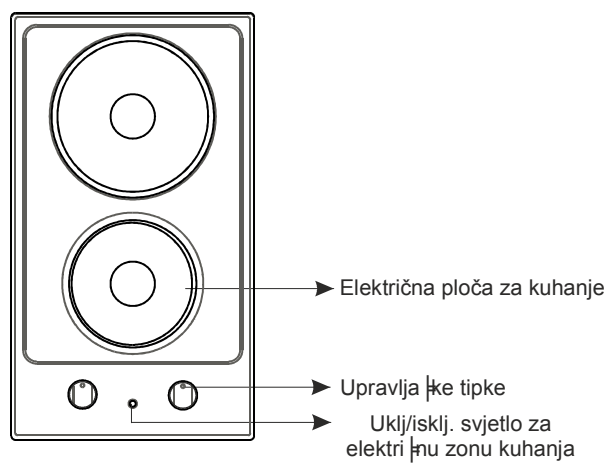
Ova ploča za kuhanje je dizajnirana da se koristi samo za kuhanje. Bilo kakva druga upotreba (poput zagrijavanja prostorije) je neprikladna i opasna.

•Ova ploča za kuhanje je dizajnirana, konstruirana i plasirana na tržište u skladu sa:

- Sigurnosnim zahtjevima direktive 2006/95/EC za "niski napon";
- Sigurnosnim zahtjevima direktive 89/336/EC za "EMC";
- Zahtjevima Direktive 93/68/EC



ELEKTRIČNA PLOČA ZA KUHANJE

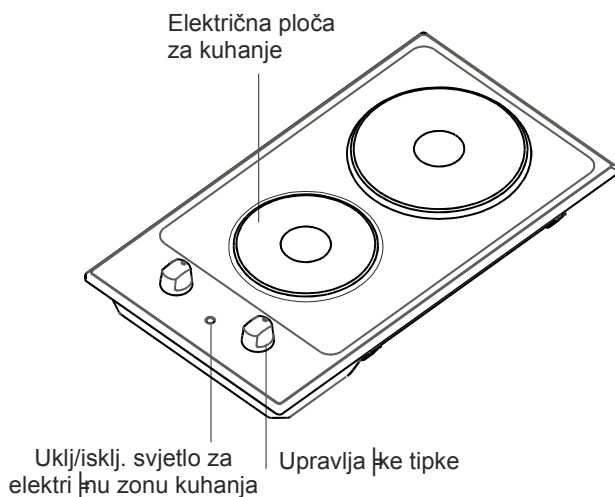


Nazivni napon: 230V
Nazivna frekvencija: 50/60 Hz

PRIJE PRVE UPOTREBE

Pažljivo pročitajte uputstva prije ugradnje i upotrebe uređaja.

Nakon što raspakujete uređaj, uvjerite se da na njemu nema oštećenja. U slučaju dvojbe, nemojte koristiti uređaj i kontaktirajte dobavljača ili kvalificiranog tehničara. Uklonite pakovanje i ne ostavljajte materijal za pakovanje (plastične kese, polistiren, trake itd.) na mjestima koja su lako dostupna djeci jer mogu izazvati ozbiljne povrede. Materijali za pakovanje se mogu reciklirati. Uređaj treba ugraditi i sve električne priključke spojiti kvalificirani tehničar u skladu s važećim lokalnim propisima i uz pridržavanje uputstava proizvođača. Nemojte pokušavati mijenjati tehnička svojstva uređaja, to može predstavljati opasnost prilikom upotrebe.



Napomena: Izgled vaše ploče za kuhanje se može razlikovati od modela koji je gore prikazan zbog izmjena u proizvodnji.

Ovaj uređaj je dizajniran samo za upotrebu u domaćinstvu. Uređaj NIJE pogodan za upotrebu u polu-komercijalnoj, komercijalnoj ili zajedničkoj okolini. Mora se koristiti samo za svrhu zagrijavanja ili kuhanja hrane. Bilo koja druga upotreba, na primjer zagrijavanje prostorije ili bilo koje druge površine i rad uređaja bez posude na njemu je zabranjeno. Ako se koristi u te svrhe, to će predstavljati opasnost, poništiti garanciju i svaka odgovornost će biti na korisniku.

PROČITAJTE OVE UPUTE PAŽLJIVO I U POTPUNOSTI PRIJE KORIŠTENJA VAŠEG APARATA I DRŽITE IH NA PRIKLADNOM MJESTU KAO PODSJETNIK KADA BUDE POTREBNO.

OVAJ PRIRUČNIK JE PRIPREMLJEN ZA VIŠE OD JEDNOG MODELA KOJI SU SLIČNI. VAŠ UREĐAJ MOŽDA NEMA ISTE KARAKTERISTIKE KOJE SU OBJAŠNJENE U OVOM PRIRUČNIKU. OBRATITE PAŽNJU NA IZRAZE KOJI SADRŽE CIFRE, DOK ČITATE OVAJ PRIRUČNIK ZA RUKOVANJE.

Opšta sigurnosna upozorenja

- Ovaj uređaj mogu koristiti i djeca u dobi od 8 godina i više i osobe sa smanjenim fizičkim, senzornim ili mentalnim sposobnostima ili sa nedostatkom iskustva i znanja ako su pod supervizijom ili su im data uputstva za upotrebu uređaja na siguran način i da razumiju opasnosti koje su uključene. Djeca se ne smiju igrati s uređajem. Čišćenje i održavanje od strane korisnika ne smiju obavljati djeca bez nadzora.
- UPOZORENJE: Uređaj i njegovi dostupni dijelovi mogu postati vrući tokom upotrebe. Trebali bi biti oprezni i izbjegavati dodirivanje grijanih elemenata. Djecu mlađu od 8 godina treba držati dalje od uređaja osim ako nisu pod stalnim nadzorom.
- UPOZORENJE: Kuhanje koje se ne nadgleda na ploči sa masnoćom ili uljem može biti opasno i može rezultirati požarom. NIKADA ne pokušavajte ugasiti vatru vodom, nego isključite uređaj i potom prekrijte plamen, npr. sa poklopcem ili dekom.
- UPOZORENJE: Opasnost od požara: nemojte skladištiti stvari na površine za kuhanje.

-UPOZORENJE: Ako je površina napukla, isključite uređaj da biste izbjegli mogućnost strujnog udara.

-Za ploče sa ugrađenim poklopcem, bilo šta da se prolije treba biti uklonjeno s poklopca prije otvaranja. Također, površini ploče bi trebalo biti dopušteno da se ohladi prije zatvaranja poklopca.

-Uređaj nije namijenjen za rukovanje sredstvima kao što su vanjski programator ili poseban sistem daljinskog upravljanja.

-Ne koristite gruba abrazivna sredstva za čišćenje ili oštre metalne strugalice da očistite staklo na vratima pećnice i druge površine jer tako možete ogrebat površinu što može rezultirati lomljenjem stakla ili oštećenjem površine.

-Ne koristite čistače na paru za čišćenje uređaja.

- Vaš uređaj je proizveden u skladu sa svim primjenljivim lokalnim i međunarodnim standardima i propisima.

- Poslove održavanja i popravke moraju obavljati samo tehničari ovlaštenog servisa. Instalacija i popravke koje urade neovlašteni tehničari mogu vas dovesti u opasnost. Opasno je mijenjati ili modifikovati specifikacije na uređaju na bilo koji način.

- Prije instalacije, uvjerite se da su lokalni uslovi distribucije (priroda plina i pritisak plina ili voltaža i frekvencija) i zahtjevi od strane uređaja kompatibilni. Zahtjevi za ovaj uređaj su navedeni na etiketi.

- PAŽNJA: Ovaj uređaj je dizajniran samo za kuhanje hrane i namijenjen je za unutrašnju upotrebu u domaćinstvima i ne bi trebao biti korišten za bilo koje druge svrhe ili za bilo koju drugu aplikaciju, kao što je upotreba van domaćinstva ili u komercijalnom okruženju ili za zagrijavanje prostorije.

- Sve moguće mjere opreza su poduzete da se osigura vaša bezbjednost. Pošto staklo može pući, trebali biste biti oprezni kada čistite da biste izbjegli grebanje. Izbjegavajte udaranje ili kuckanje po staklu s priborom.

- Osigurajte se da napojni kabal ne bude zaglavljen tokom instalacije. Ako je napojni kabal oštećen, mora biti zamijenjen od strane proizvođača, servisnog zastupnika ili osoba sa sličnim kvalifikacijama da bi se spriječila opasnost.

Upozorenja pri instalaciji

- Ne rukujte uređajem prije nego je u potpunosti instaliran.
- Uređaj mora instalirati ovlašteni tehničar i staviti ga u upotrebu. Proizvođač nije odgovoran za bilo kakvu štetu koja bi mogla biti izazvana pogrešnim smještanjem i instaliranjem od strane neovlaštenih osoba.
- Kada raspakujete uređaj, uvjerite se da nije oštećen tokom transporta. U slučaju bilo kakvog nedostatka; ne koristite uređaj i odmah kontaktirajte kvalifikovanog servisnog zastupnika. Pošto materijali korišteni za pakovanje (najlon, klamerice, stiropor...itd.) mogu imati štetne utjecaje na djecu, oni bi odmah trebali biti sakupljeni i uklonjeni.
- Zaštitite svoj uređaj od atmosferskih uticaja. Ne izlažite ga utjecajima kao što su sunce, kiša, snijeg itd.
- Materijali koji okružuju uređaj (kabinet) moraju biti u mogućnosti da podnesu temperaturu od minimalno 100°C.
- Temperatura donje površine ploče za kuhanje može rasti tokom rada. Stoga, ploča se mora ugraditi ispod proizvoda.

Tokom upotrebe

- Ne stavljajte zapaljive ili gorive materijale, u ili blizu uređaja kada je uključen.
- Ne ostavljajte šporet dok se kuhaju čvrsta ili tečna ulja. Oni se mogu zapaliti u uslovima ekstremnog zagrijavanja. Nikad ne posipajte vodu na plamen koji je prouzrokovalo ulje. Pokrijte šerpu ili tavu za prženje poklopcem da biste prigušili plamen koji se pojavio u ovom slučaju i isključite štednjak.
- Uvijek postavljajte šerpe na centar zone za kuhanje i okrenite ručke na sigurnu poziciju tako da ne bi mogle biti oborene ili zgrabljene.
- Ako ne koristite uređaj duže vremena, isključite ga iz struje. Držite glavni kontrolnu sklopku isključenu. Takođe, kada ne koristite uređaj, držite zatvorenim dovod plina.
- Osigurajte da kontrolne tipke uređaja uvijek budu u položaju "0" (stop) kada se uređaj ne koristi.

Tokom čišćenja i održavanja

- Uvijek isključite uređaj prije izvođenja radnji kao što su čišćenje ili održavanje. Možete to raditi nakon isključivanja uređaja ili isključivanja glavne sklopke.
- Ne uklanjajte kontrolne tipke da očistite kontrolnu ploču.

DA BISTE ODRŽALI EFIKASNOST I SIGURNOST VAŠEG UREĐAJA, PREPORUČUJEMO VAM DA UVIJEK KORISTITE ORIGINALNE REZERVNE DIJELOVE I ZOVITE SAMO NAŠEG OVLAŠTENOG SERVISNOG ZASTUPNIKA U SLUČAJU POTREBE.

- Ako je kabal za napajanje oštećen, isti mora zamijeniti proizvođač, njegov servisni zastupnik ili osoba sličnih kvalifikacija da bi se izbjegla električna opasnost.

Električni priključak ove ploče za kuhanje treba izvršiti ovlašteno servisno osoblje ili kvalificirani električar, u skladu s uputstvima iz ovog vodiča i u skladu s važećim propisima.

- Prije ugradnje, uvjerite se da su uslovi lokalne distribucije i postavke uređaja kompatibilni.
- Zakoni, uredbe, direktive i standardi koji su na snazi u zemlji u kojoj će uređaj biti korišten se moraju poštovati (sigurnosni propisi, ispravno recikliranje u skladu s propisima itd).

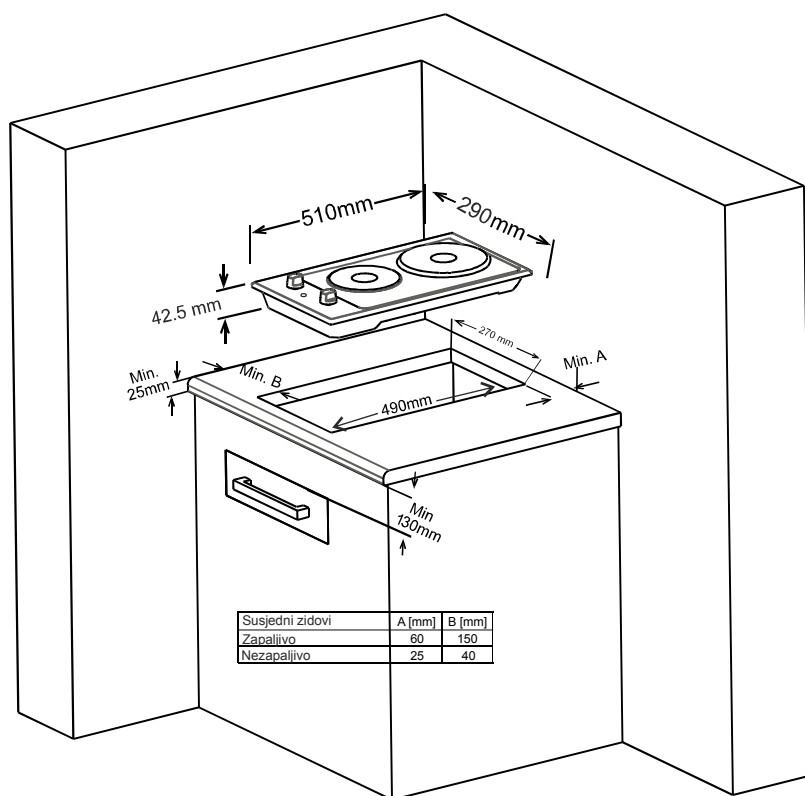
Lociranje vaše ugradbene ploče za kuhanje

Nakon uklanjanja materijala za pakovanje s uređaja i njegovog dodatnog pribora, uvjerite se da ploča za kuhanje nije oštećena. Ako sumnjate na bilo kakvo oštećenje, nemojte koristiti uređaj i kontaktirajte trgovinu u kojoj ste kupili ovu ploču za kuhanje.

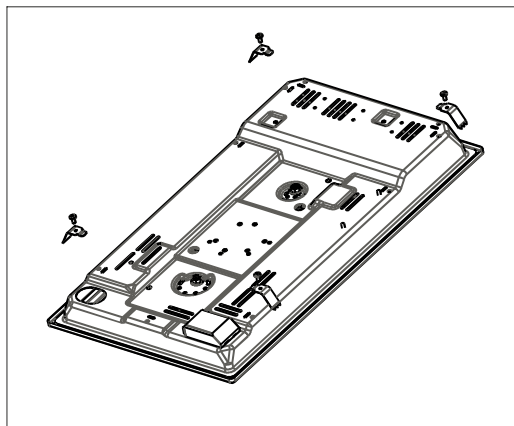
- Ova ugradbena ploča za kuhanje se mora umetnuti u isječenu radnu površinu. Njeno električno povezivanje će se obaviti preko razvodne kutije koja se nalazi ispod pulta, naročito napravljena za tu svrhu.

Ugradnja i rad - u skladu s ovim uputstvima - u skladu sa zakonom o sigurnosti uređaja i važećim propisima u području gdje će ploča biti ugrađena.

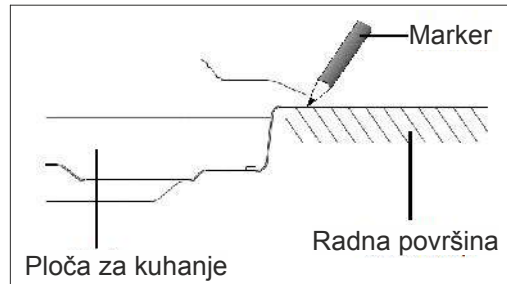
Izrežite otvor dimenzija koje su prikazane na slici u nastavku.



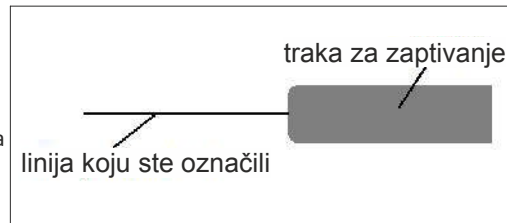
Ploča je opremljena posebnom trakom kako bi se izbjegao prodor tečnosti u radnu površinu. Izrežite otvor na površini vaše kuhinjske jedinice tako da odgovara mjerama koje su date na slici. Nanesite samoljepljivu traku na sve rubove otvora i pažljivo uklopite ploču za kuhanje na otvor tako da tipke budu na prednjoj strani. Pritegnite zatezanjem stezaljki kao na slici.



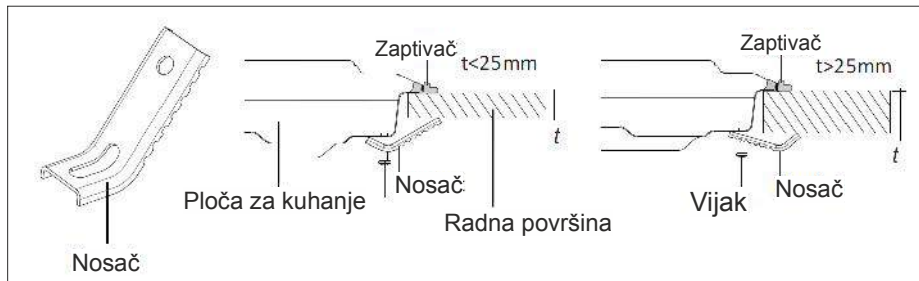
- Stavite ploču za kuhanje u izrezani otvor. Potom označite mjesto ploče za kuhanje na površini za kuhanje pomoću markera.



- Izvadite ploču za kuhanje. Stavite traku za zaptivanje na liniju koju ste označili. Uvjerite se da je traka centrirana na liniji. Budite sigurni da se spojevi preklapaju na uglovima i da nema razmaka duž materijala za zaptivanje.



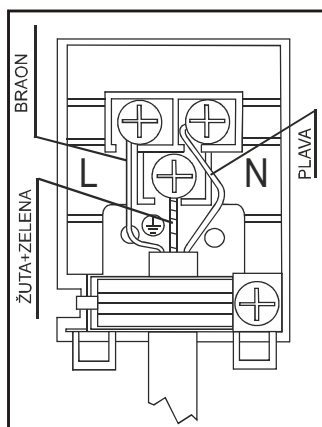
- Pažljivo stavite ploču za kuhanje na radnu površinu, uvjerite se da rubovi površine za kuhanje budu centrirani s trakom za zaptivanje. Pričvrstite u njen položaj pomoću nosača i vijaka. Podesite položaj nosača u zavisnosti od debljine radne površine kao što je naznačeno na slici u pričvrstite vijke počevši od prednje donje ivice.



- Pažljivo odsijecite višak trake za zaptivanje oko uređaja.

Prije nastavka s električnim spajanjem potvrdite da:

- Trenutni kapacitet nosivosti sistema i utičnice je adekvatan za maksimalnu snagu ploče za kuhanje.
- Napon koji je naznačen na natpisnoj naljepnici je isti kao i napon napajanja.
- Nemojte koristiti za spajanje bilo kakve redukcije, adaptere ili prenosnice jer to može izazvati pregrijavanje.
- Električno spajanje ugradbene ploče za kuhanje na električni izvor se izvodi pomoću kabla koji se nalazi na dnu ugradbene ploče za kuhanje. Električna instalacija mjesta stanovanja i električna utičnica moraju biti uzemljeni i u skladu sa sigurnosnim propisima. Proizvođač odbija odgovornost u slučaju da se uređaj ugradi bez gore navedenih uslova.
- Uređaj može biti ili s fiksnim priključkom ili s kablom za napajanje.
- Spajanje uređaja na električni izvor mora izvoditi kvalificirani tehničar (Shema spajanja data je u nastavku).
- Automatska sklopka s kontaktnim otvaranjem od minimalno 3 mm, nazivno 20A i tipa odgođenog funkcioniranja mora biti ugrađena u krug napajanja.
- Ploče za kuhanje koje nisu opremljene kablom za napajanje.



Upotreba vaših zona kuhanja

Postoje 2 tipa zona kuhanja

- Standardna zona kuhanja
- Brza zona kuhanja (koje se razlikuju svojom crvenom oznakom)

Ove zone za kuhanje su kontrolirane pomoću 6 položaja prekidača.

Okretanjem upravljačke tipke na jedan od ovih položaja zone za kuhanje se mogu staviti u funkciju. Ispod svake tipke se nalazi mala shema koja pokazuje koja je zona kuhanja kontrolirana datom tipkom. Signalno svjetlo koje je smješteno na upravljačkoj ploči pokazuje ako je bilo koja zona kuhanja u upotrebi.

ZONE KUHANJA - FUNKCIJE

0 položaj isključeno

1 Za otapanje gorke i sl. kao i za zagrijavanje male količine tečnosti

2 Da biste zagrijali veće količine tečnosti. Za pripremanje krema i sosova

3 Za odmrzavanje hrane za kuhanje

4 Za kuhanje delikatnog mesa i ribe

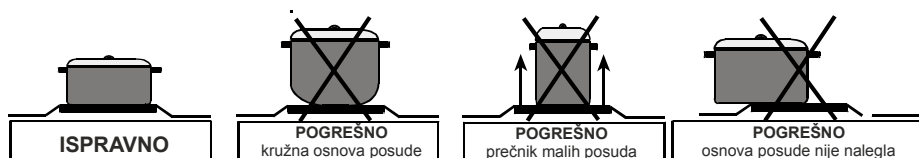
5 Za pečenje mesa i odrezaka

6 Za prokuhavanje velikih količina tečnosti za prženje

UPOZORENJE

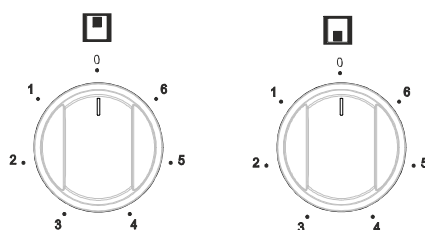
Kada uređaj radi prvi put ili kad god zona za kuhanje nije korištena duže vrijeme neophodno je eliminisati bilo kakvu vlažnost koja se možda akumulirala oko električnih elemenata ploče tako što ćete pustiti zone kuhanja da rade na najnižim postavkama tokom 20 minuta.

- Koristite samo ravno posuđe i s dovoljno debelim dnom.
- Nikada nemojte koristiti posude s prečnikom koji je manji od zone za kuhanje.
- Uvjerite se da je dno posude suho prije stavljanja na zonu kuhanja. Dok zona za kuhanje radi, bitno je osigurati da je posuda ispravno centrirana na toj zoni kuhanja.



- Nikada nemojte upotrebljavati ploču za kuhanje bez posuda na zonama za kuhanje.
- Temperatura dostupnih dijelova može biti visoka kada je uređaj u funkciji. Zbog toga, imperativ je držati djecu i životinje van dosega zone za kuhanje tokom i nakon rada.
- Ako primijetite pukotinu na ploči za kuhanje, morate je odmah isključiti i zamijeniti.
- Da biste osigurali dug vijek trajanja, ploču za kuhanje morate temeljito čistiti odgovarajućim proizvodima za čišćenje. Da biste izbjegli hrđanje i da biste održali izgled kao nov, preporučljivo je lagano protrljati zone kuhanja papirnim ubrusom i malom količinom ulja. Nemojte koristiti čistač na paru.
- Nakon upotrebe, zone kuhanja ostaju veoma vruće tokom dužeg vremena, nemojte ih dodirivati i nemojte stavljati nikakve predmete na njih.

Ovaj uređaj radi uz pomoć upravljačkih tipki prikazanih u nastavku.



Štednjak je dizajniran tako da radi na 6 nivoa grijanja:

- 1 Položaj za održavanje topline
- 2-3 Položaj za zagrijavanje na niskoj toplini
- 4-5-6 Položaj za kuhanje i ključanje

Prije čišćenja isključite uređaj i dopustite da se u potpunosti ohladi.

Emajlirani dijelovi:

Kako biste postigli da ploča za kuhanje izgleda kao nova, trebate je često čistiti u mlakoj i sapunjavoj vodi i potom posušiti mekanim ubrusima. Ne perite ploču za kuhanje kad je vruća i nikada ne koristite abrazivne prahove ili abrazivne materijale za čišćenje. Ne ostavljajte sirće, kafu, mlijeko, sol, vodu, limun ili sok od paradajza da bude u dodiru s emajliranim dijelovima tokom dužeg vremena. Jer će iste biti teško odstraniti.

Nehrđajući čelik:

Dijelovi od nehrđajućeg čelika se moraju često čistiti mlakom sapunjavom vodom i mekanom spužvom i potom se moraju posušiti mekanom krpom. Nemojte koristiti abrazivne prahove ili abrazivne materijale za čišćenje. Ne ostavljajte sirće, kafu, mlijeko, sol, vodu, limun ili sok od paradajza da bude u dodiru s dijelovima od nehrđajućeg čelika tokom dužeg vremena. Jer će iste biti teško odstraniti.



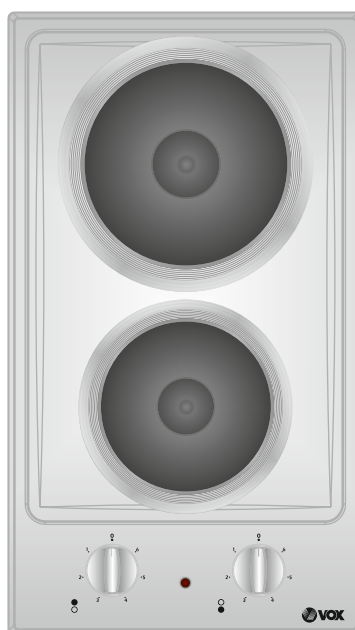
Simbol na proizvodu ili na njegovom pakovanju naznačava da je se ovaj proizvod ne smije tretirati kao kućni otpad. Umjesto toga, on treba biti zbrinut na odgovarajućim mjestima prikupljanja za reciklažu električne i elektronske opreme. Osiguravanjem da se ovaj proizvod odloži na pravilan način, vi pomažete u sprječavanju potencijalnih negativnih posljedica po okoliš i ljudsko zdravlje, što bi u suprotnom moglo izazvati neodgovarajuće rukovanje otpadom ovog proizvoda. Za detaljnije informacije o recikliranju ovog proizvoda, molimo kontaktirajte lokalni gradski ured, servis za odlaganje kućnog otpada ili trgovinu gdje ste kupili ovaj proizvod.

SVN



EBX200EIX

NAVODILA ZA UPORABO IN NAMESTITEV VGRADNE ELEKTRIČNE PLOŠČE DOMINO



VSEBINE

- 1.OPIS PLOŠČE**
- 2.VARNOSTNA NAVODILA**
- 3.NAMESTITEV**
- 4.UPORABA**
- 5. VZDRŽEVANJE IN NEGA**

Dragi kupec,

Hvala, da ste se odločili za nakup te kuhalne plošče. Varnostne ukrepi n priporočila v teh navodilih so namenjena varnosti vas in drugih. Prav tako vam bodo dala načine, kako boste popolnoma izkoristili funkcije vaše naprave.

Hranite to knjižico na varnem mestu. Morda jo boste še potrebovali v primeru dvomov v zvezi z delovanjem naprave.

Naprava se lahko uporablja le za to kar je namenjena, torej za kuhanje hrane v gospodinjstvu. Vsaka druga oblika uporabe se smatra za neustrezno in zato nevarno.

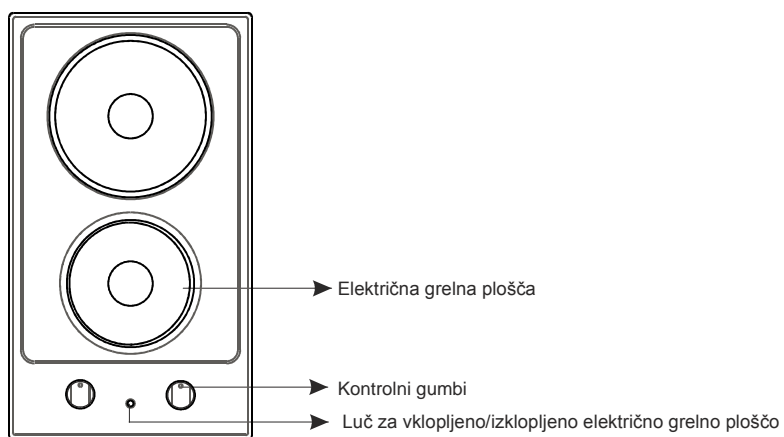
Proizvajalec zavrača vsakršno odgovornost v primeru okvare, ki je posledica neustrezne ali napačne uporabe naprave.

Izjava o skladnosti CE

- Ta kuhalna plošča je bila zasnovana za uporabo pri kuhanju doma. Vsaka druga uporaba (kot je ogrevanje prostora) je neprimerna in nevarna.
- Ta kuhalna plošča je bila zasnovana, izdelana in tržena v skladu z:
 - Varnostnimi zahtevami Direktive o nizki napetosti 2006/95/ES;
 - Varnostnimi zahtevami Direktive o elektromagnetni združljivosti 89/336/ES;
 - Zahtevami Direktive 93/68/ES.



ELEKTRIČNA KUHALNA PLOŠČA

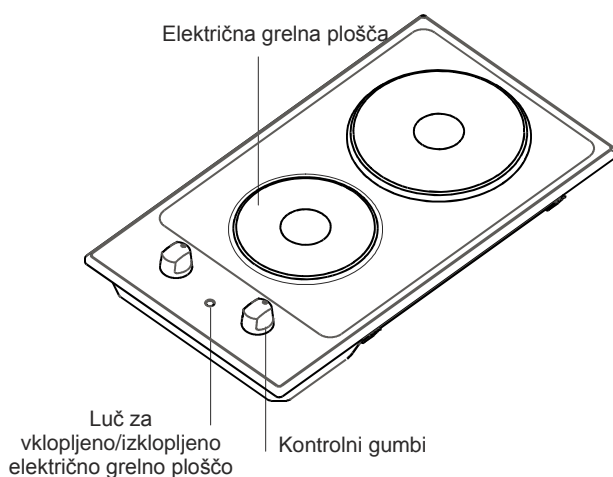


Nazivna napetost: 230 V
Nazivna frekvenca: 50/60 Hz

PRED PRVO UPORABO

Pred namestitvijo in uporabo aparata pozorno preberite navodila.

Ko razpakirate napravo, preverite, da ni poškodovana. V primeru dvoma ne uporabljajte naprave in se obrnite na dobavitelja ali usposobljenega inženirja. Odstranite embalažo in embalažnega materiala (plastične vrečke, polistiren, trakovi itd.) hranite izven dosega otrok, saj se lahko resno poškodujejo. Embalažo je mogoče reciklirati. Namestitev naprave in vse električne povezave mora opraviti usposobljen inženir v skladu z veljavnimi lokalnimi predpisi in navodili proizvajalca. Ne poskušajte spreminjati tehničnih lastnosti naprave, saj je lahko nevarno.



Opomba: Zaradi sprememb v proizvodnji je lahko videz vaše plošče drugačen od zgoraj prikazanega modela.

Naprava je narejena za gospodinjsko uporabo. Naprava NI primerna za uporabo v pol komercialnih, komercialnih in komunalnih okoljih. Uporabljate jo lahko le za namene segrevanja ali kuhanja hrane. Vsakršna druga uporaba, na primer segrevanje prostora ali površine, je prepovedana. Prav tako ni dovoljena uporaba brez posode. Takšna uporaba je nevarna in izniči garancijo, vso odgovornost pa nosi uporabnik.

PRED UPORABO NAPRAVE POZORNO IN V CELOTI PREBERITE TA NAVODILA IN JIH HRANITE NA PRIROČNEM MESTU, ČE JIH POTREBUJETE. TA PRIROČNIK JE PRIPRAVLJEN ZA RAZLIČNE MODELE. VAŠA NAPRAVA MORDA NIMA NEKATERIH FUNKCIJ, KI SO RAZLOŽENE V TEH NAVODILIH. MED BRANJEM NAVODIL ZA UPORABO BODITE POZORNI NA IZRAZE, KI IMAJO ŠTEVILKE.

Splošna varnostna opozorila

- To napravo lahko uporabljajo otroci, stari 8 let ali več in osebe, ki imajo zmanjšane telesne, čutne ali umske zmožnosti ali so brez izkušenj in znanja, če so pod nadzorom ali so prejele navodila za varno uporabo naprave in razumejo vpletena tveganja. Otroci se ne smejo igrati z napravo. Otroci ne smejo opravljati čiščenja ali vzdrževanja naprave brez nadzora.
- OPOZORILO: Naprava in njeni dostopni deli postanejo vroči med uporabo. Pazite, da se ne dotaknete grelnih elementov. Otroci, mlajši od 8 let, se ne smejo približevati napravi brez nadzora.
- OPOZORILO: Nenadzorovano kuhanje na kuhalni plošči z maščobo ali oljem je lahko nevarno in lahko povzroči požar. Požara NIKOLI ne poskušajte pogasiti z vodo, ampak izklopite napravo in pokrijte ogenj, npr. s pokrovom ali požarno odejo.
- OPOZORILO: Nevarnost požara: Ne shranjujte stvari na kuhalnih površinah.

-
- OPOZORILO: Če je površina razpokana, izklopite napravo, da ne pride do električnega udara.
 - Pri kuhalnih ploščah, ki vključujejo pokrov, je treba vsako razlitje najprej odstraniti s pokrova in ga šele nato odpreti. Prav tako pa se mora površina kuhalne plošče ohladiti, preden zaprete pokrov.
 - Naprava ni namenjena za upravljanje z zunanjim časovnik ali ločenim sistemom za daljinski nadzor.
 - Ne uporabljajte abrazivnih čistilnih sredstev ali ostrih kovinskih strgal za čiščenje steklenih vrat pečice in drugih površin, saj lahko opraskajo površino ali pa lahko povzroči razbitje stekla ali poškodujejo površine.
 - Ne uporabljajte parnih čistilnikov za čiščenje naprave.

- Vaša naprava je proizvedena v skladu z ustreznimi lokalnimi in mednarodnimi standardu in predpisi.

- Vzdrževalna dela in popravila naj izvajajo le pooblaščen serviserji. Namestitvev in popravila, ki jih izvede nepooblaščen serviser, so lahko nevarna. Spreminjanje specifikacij naprave na kakršen koli način je nevarno.

- Pred namestitvijo preverite, da so lokalni pogoji distribucije (narava plina in plinskega tlaka ali električne napetosti in frekvence) in zahteve naprave združljivi. Zahteve za to napravo so navedene na etiketi.

- POZOR: Ta naprava je oblikovana samo za kuhanje hrane in je namenjena le za notranjo uporabo v gospodinjstvu in se ne sme uporabljati za druge namene, kot je npr. negospodinjska uporaba ali v poslovnem okolju ali za ogrevanje prostorov.

- Vsi možni ukrepi za zagotavljanje vaše varnosti so bili sprejeti. Ker se lahko steklo zlomi, bodite previdni pri čiščenju, da stekla ne opraskate. Ne udarjajte ali trkajte po steklu s pripomočki.

- Pazite, da se med namestitvijo napajalni kabel ne zagozdi. Če je napajalni kabel poškodovan, ga mora zamenjati proizvajalec, serviser ali podobna usposobljena oseba, da bi se izognili tveganjem.

Namestitvena opozorila

- Naprave ne uporabljajte, preden ni dokončno nameščena.
- Napravo mora namestiti in predati v uporabo pooblaščen servis. Proizvajalec ni odgovoren za škodo, ki bi jo lahko povzročila neustrezna postavitvev in namestitvev s strani nepooblaščenih ljudi.
- Ko razpakirate napravo, preverite, da se ni poškodovala med prevozom. V primeru okvare; naprave ne uporabljajte in se nemudoma obrnite na pooblaščen servis. Ker so materiali embalaže (najlon, spenjači, stiropor itd.) lahko nevarni za otroke, jih nemudoma zberite in odstranite.
- Zaščitite vašo napravo pred vplivi iz okolja. Naprave ne izpostavljajte soncu, dežju, snegu itd.
- Okoliški materiali naprave (omara) morajo biti sposobni vzdržati temperaturo najmanj 100°C.
- Med delovanje lahko temperatura spodnje površine kuhalne plošče naraste. Zaot je treba pod izdelek namestiti desko.

Med uporabo

- Med delovanjem v napravo ali v bližino naprave ne dajajte vnetljivih materialom.
- Kuhalnika ne pustite nenadzorovanega, medtem ko kuhate s trdo ali tekočo maščobo. Pri močnem segrevanju se lahko vname. Nikoli ne vlivajte vode na ogenj, ki ga povzroči olje. Pokrijte ponev s pokrovom, da zadušite plamen, in izklopite štedilnik.
- Ponve vedno položite na sredino kuhalne plošče, ročaje pa obrnite na varno mesto, da jih ni mogoče prevrniti ali zgrabiti.
- Če dlje časa ne boste uporabljali vaše naprave, jo izklopite iz napajanja. Naj bo glavno stikalo izklopljeno. Ko ne uporabljate naprave, prav tako izključite plinski ventil.
- Pazite, da so krmilni gumbi naprave vedno v položaju »0« (ustavljeno), ko naprave ne uporabljate.

Med čiščenjem in vzdrževanjem

- Pred čiščenjem ali vzdrževanjem, vedno izklopite napravo. Čiščenje ali vzdrževanje lahko opravite, ko ste izključili napravo ali izklopili glavna stikala.
- Ne odstranite krmilnih gumbov, da bi očistili nadzorno ploščo.

DA BI OHRANILI UČINKOVITOST IN VARNOST VAŠE NAPRAVE, VAM PRIPOROČAMO, DA VEDNO UPORABLJATE ORIGINALNE REZERVNE DELE IN DA POKLIČETE NAŠE POOBLAŠČENE SERVISERJE, ČE JE TO POTREBNO.

Če je napajalni kabel poškodovan, ga mora proizvajalec, serviser ali podobno usposobljena oseba zamenjati, da ne pride do električne nevarnosti.

Električno povezavo plošče mora izvesti pooblaščen serviser ali usposobljen električar v skladu z navodili v tem priročniku in v skladu z veljavnimi predpisi.

- Pred namestitvijo preverite, da so lokalni pogoji distribucije in nastavitev naprave združljivi.
- Upoštevati je treba zakone, odloke, direktive in standarde, ki veljajo v državi uporabe (varnostni predpisi, ustrezno recikliranje v skladu s predpisi itd.).

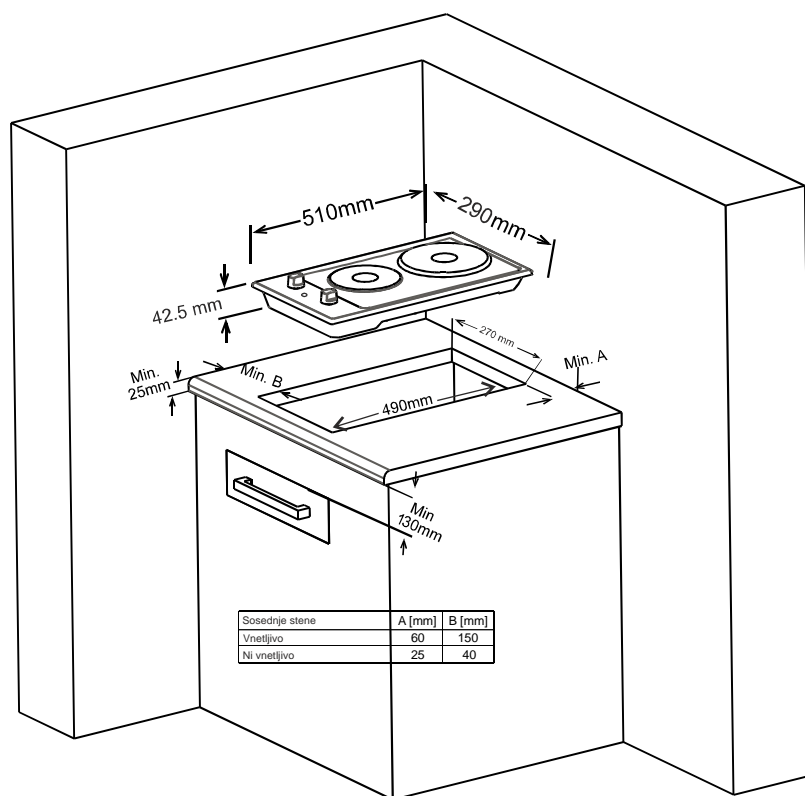
Namestitev vgradne kuhalne plošče

Odstranite embalažni material z naprave in dodatkov ter preverite, da kuhalna plošča ni poškodovana. Če sumite, da obstaja kakršna koli okvara, naprave ne uporabljajte in se obrnite na trgovino, kjer ste kuhavno ploščo kupili.

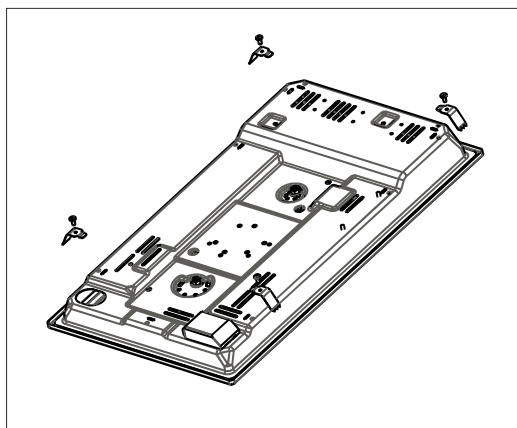
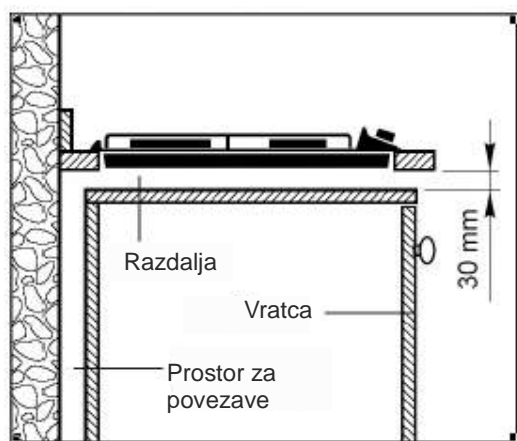
- To vgradno kuhavno ploščo je treba vstaviti v luknjo na delovni površini. Naprava mora biti električno priključena s stikalom pod ravnijo pulta, ki je posebej priložen za ta namen.

Namestitev in delovanje - v skladu s temi navodili - glede na zakon o varni uporabi naprav in predpisi, ki so veljavni na območju, kjer je kuhalna plošča nameščena.

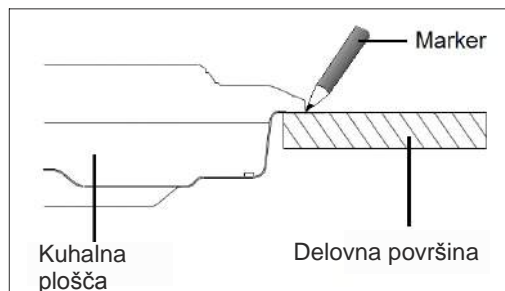
Vrežite odprtino z dimenzijami, ki so prikazane na spodnji sliki.



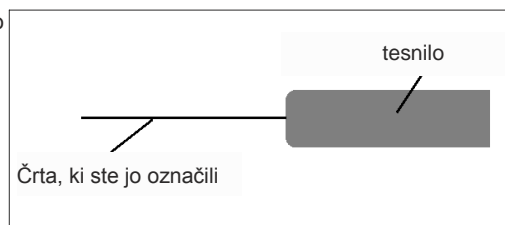
Kuhalna plošča je dobavljena skupaj s posebnim tesnilom, ki preprečuje vdor tekočin v delovno površino. Izrežite odprtino na vrhu kuhinjske enote, ki ustreza meram na sliki. Nanesite samolepilno tesnilo na vse robove odprtine in previdno namestite kuhhalno ploščo v odprtino, tako da so gumbi na sprednji strani. Zatesnite spojke in zavarujte, kot prikazuje slika.



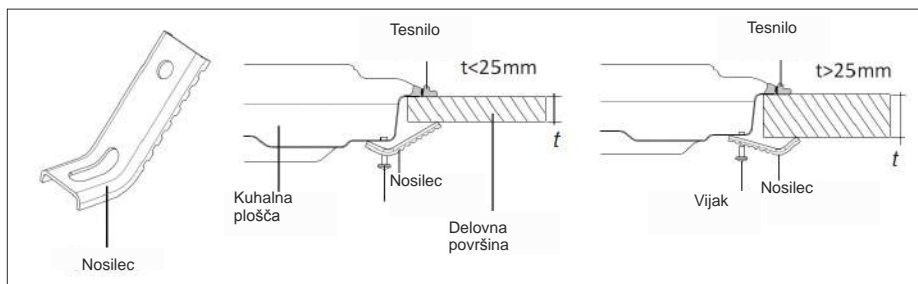
- Namestite kuhalno ploščo v izrezan predel. Nato z markerjem označite lokacijo kuhalne plošče na kuhalni površini.



- Vzemite ven kuhalno ploščo. Namestite tesnilo na črto, ki ste jo označili. Pazite, da je črta na sredini tesnila. Pazite, da se spoji na vogalih prekrivajo in da vzdolž tesnilnega materiala ni razmaka.



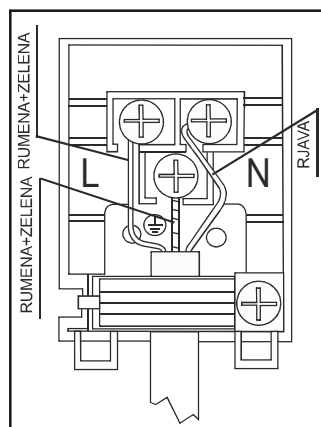
- Kuhalno ploščo previdno položite na delovno površino in pri tem pazite, da so robovi kuhalne površine na sredini tesnila. Pritrdite na mestu z nosilci in vijaki. Prilagodite položaj nosilcev glede na debelino delovne površine, kot prikazuje slika, in zatesnite vijake, začeniši pri sprednjem spodnjem robu.



- Previdno odstranite odvečno tesnilo okoli naprave.

Preden nadaljujete z električno povezavo, preverite da je:

- Trenutna nosilna zmogljivost sistema in vtičnice ustrezna za največjo nazivno moč kuhalne plošče.
- Napetost, ki je označena na etiketi s podatki, enaka kot napetost vašega omrežja.
- Za povezavo ne uporabljajte znižanja, adapterjev ali spojev, saj lahko pride do pregrevanja.
- Električna povezava vgradne kuhalne plošče na vir elektrike se opravi s kablom, ki se nahaja na dnu vgradne plošče. Električna napeljava prebivališča in električni tok vtičnice morata biti ozemljena in v skladu z varnostnimi predpisi. Proizvajalec zavrača odgovornost, če je naprava nameščena brez zgoraj omenjenih pogojev.
- Naprava ima lahko fiksno povezavo ali je povezana s kablom za napajanje.
- Priklop naprave na električni vir mora opraviti usposobljen serviser (shema priklopa, ki je podana spodaj).
- Namestiti morate odklopnik znotraj dovodnega ožičenja s kontaktno odprtino pri najmanj 3mm (nazivno 20A, tip delovanja z zamikom).
- Kuhalne plošče niso dobavljene s kablom za napajanje.



Uporaba grelnih plošč

Obstajata 2 vrsti grelnih plošč

- Standardna grelna plošča
- Hitra grelna plošča (ki se razlikujejo po rdeči oznaki)

Te grelne plošče se upravljajo s 6-stopenjskim stikalom.

Grelno ploščo lahko upravljate z obračanjem krmilnega gumba na enega od teh položaje. Pod vsakim gumbom je majhen diagram, ki prikazuje, katera grelna plošča se nadzoruje s tem gumbom. Signalna lučka na nadzorni plošči kaže, če je katera od grelnih plošč v uporabi.

GRELNE PLOŠČE - FUNKCIJE**0 izklopljen položaj**

1 za taljenje masla itd. in za pogrevanje majhnih količin tekočine.

2 Za pogrevanje večjih količin tekočine. Za pripravo krem in omak.

3 Za odtajanje hrane za kuhanje

4 Za kuhanje občutljivega mesa in rib

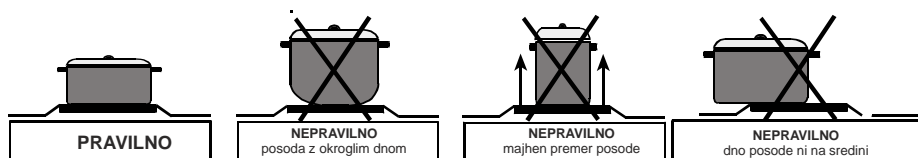
5 Za pečenje mesa in zrezkov

6 Če želimo zavreti večje količine tekočine ali za cvrtje.

OPOZORILO

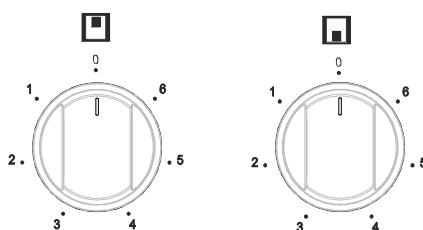
Ko prvič uporabljate grelno ploščo ali že dlje časa ni bila uporabljena, je potrebno odpraviti vsako vlago, ki se je morda nabrala okoli električnih elementov plošče, tako da grelna plošča deluje pri najnižji nastavitvi okoli 20 minut.

- Uporabljajte samo posode z ravnim in dovolj debelim dnom.
- Nikoli ne uporabljajte posode, ki ima manjši premer od grelne plošče.
- Prepričajte se, da je dno posode suho, preden ga postavite na grelno ploščo. Ko grelna plošča deluje je pomembno, da pazite, da je posoda pravilno postavljena v sredini grelne plošče.



- Kuhalne plošče nikoli ne uporabljajte brez posod na grelnih ploščah.
- Med delovanjem naprave je lahko temperatura dostopnih delov visoka. Zato je pomembno, da se otroci in živali ne približujejo grelni plošči med in takoj po delovanju.
- Če na grelni plošči opazite razpoko, jo je treba nemudoma izklopiti in zamenjati.
- Če želite dolgo življenjsko dobo grelne plošče, jo temeljito čistite z ustreznimi čistili. Da ohranite plošče kot nove in da ne pride do rjavenja, priporočamo, da rahlo drgnete grelne plošče z mehko krpo in majhno količino olja. Za čiščenje ne uporabljajte parnih čistilnikov.
- Grelne plošče še dlje časa po uporabi ostanejo zelo vroča, zato se jih ne dotikajte in nanje ne polagajte predmetov.

Napravo upravljate z uporabo kontrolnih gumbov, ki so prikazani spodaj.



Kuhalnik je oblikovan za delovanje pri 6 stopnjah segrevanja:

- 1 Položaj ohranjanja toplote
- 2-3 Položaj segrevanja pri nizki temperaturi
- 4-5-6 Položaj za kuhanje in vrenje

Pred začetkom čiščenja izklopite napravo in počakajte, da se ohladi.

Emajlirani deli:

Če želite, da kuhalno ploščo ohranite kot novo, jo je treba redno čistiti z mlačno milnico in jo nato osušiti z mehko krpo. Ne čistite plošče vroče in nikoli ne uporabljajte abrazivnih praškov ali abrazivnih čistilnih sredstev. Ne puščajte kisa, kave, mleka, soli, vode, limone ali paradižnikovega soka v stiku z emajliranimi deli dlje časa. Saj jih bo težko odstraniti.

Nerjaveče jeklo:

Dele iz nerjavečega jekla je treba redno čistiti z blago mlačno milnico in mehko gobico ter jih osušiti z mehko krpo. Ne uporabljajte abrazivnih praškov in čistilnih sredstev. Ne puščajte kisa, kave, mleka, soli, vode, limone ali paradižnikovega soka v stiku deli iz nerjavečega jekla dlje časa. Saj jih bo težko odstraniti.



Simbol na izdelku ali embalaži označuje, da z izdelkom ne smete ravnati kot z običajnimi gospodinjskimi odpadki. Predati ga morate na ustrezno zbiralni mesto za recikliranje električne in elektronske opreme. S pravilnim odlaganjem tega izdelka boste pomagali preprečiti morebitne negativne posledice na okolje in zdravje ljudi, do česar lahko pride v primeru neustreznega odlaganja tega izdelka. Za bolj podrobne informacije o recikliranju tega izdelka se obrnite na lokalni mestni urad, službo za odlaganje gospodinjskih odpadkov ali trgovino, kjer ste izdelek kupili.